



US0D1022378S

(12) **United States Design Patent** (10) **Patent No.:** **US D1,022,378 S**  
**Cho** (45) **Date of Patent:** **\*\* Apr. 9, 2024**

(54) **FORKLIFT ATTACHABLE PUSHER**

(71) Applicant: **Koon Cho**, Burke, VA (US)

(72) Inventor: **Koon Cho**, Burke, VA (US)

(\*\*) Term: **15 Years**

(21) Appl. No.: **29/769,144**

(22) Filed: **Feb. 3, 2021**

(51) **LOC (14) Cl.** ..... **12-05**

(52) **U.S. Cl.**  
USPC ..... **D34/34**

(58) **Field of Classification Search**  
USPC ..... D34/34, 35  
CPC .. B66F 9/142; B66F 9/085; B66F 9/12; B66F 9/19; B66F 9/147  
See application file for complete search history.

(56) **References Cited**

**U.S. PATENT DOCUMENTS**

D249,663	S *	9/1978	Willett	.....	D34/29
D260,010	S *	7/1981	Lindfors	.....	D34/34
D262,614	S *	1/1982	Helgesson	.....	D34/35
D356,415	S *	3/1995	Minasian	.....	D34/27
6,033,177	A *	3/2000	Kooima	.....	B62D 49/007
					414/664
6,533,526	B2 *	3/2003	Lindgren	.....	B66F 9/12
					414/667
7,244,092	B1 *	7/2007	Darst	.....	B66F 9/12
					414/785
7,730,599	B2 *	6/2010	Tyree	.....	B66F 17/003
					29/426.1
D647,274	S *	10/2011	Sharp	.....	D34/35
D649,735	S *	11/2011	Sharp	.....	D34/35
8,585,344	B2 *	11/2013	Sharp	.....	B66F 9/142
					414/667
D700,763	S *	3/2014	Sharp	.....	D34/35
D707,915	S *	6/2014	Sharp	.....	D34/35
D714,013	S *	9/2014	Sharp	.....	D34/35
10,272,590	B2 *	4/2019	Zorn	.....	B27B 31/00

D862,825	S *	10/2019	Angel	.....	D34/28
10,435,284	B1 *	10/2019	Androus	.....	B66F 9/24
10,479,661	B2 *	11/2019	King	.....	B66F 9/143
10,829,352	B2 *	11/2020	Lacher	.....	B66F 9/122
D954,383	S *	6/2022	Brockett	.....	D34/35
2009/0116945	A1 *	5/2009	White	.....	B66F 9/183
					414/667

(Continued)

**OTHER PUBLICATIONS**

Atklift pusher Huamai Technology, retrieved on Oct. 10, 2023, <https://ku.buyforkliftattachments.com/forklift-pusher-attachmentforklift-push-pull-attachment.html> (Year: 2023).\*

(Continued)

*Primary Examiner* — Cynthia Ramirez

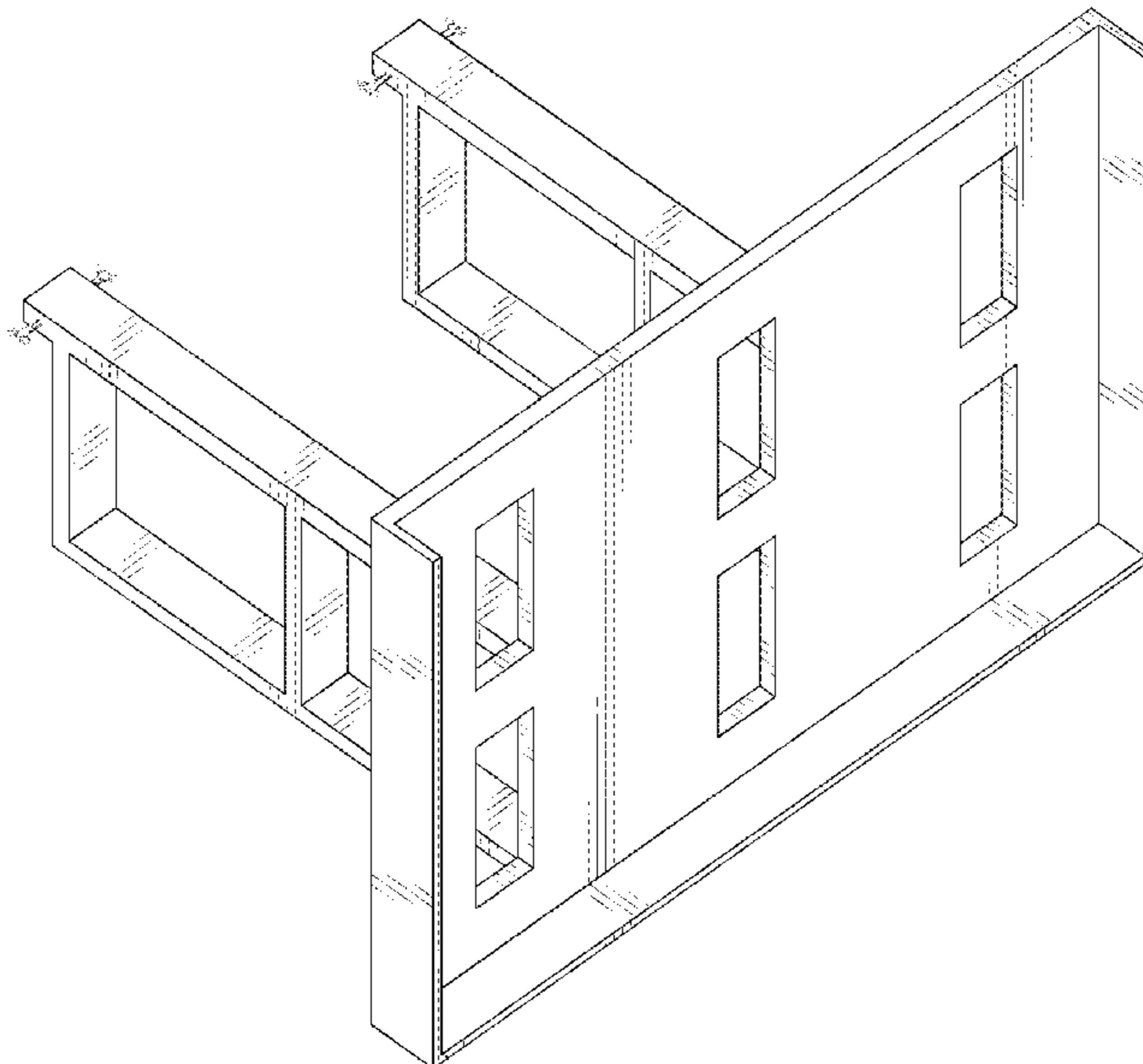
(57) **CLAIM**

The ornamental design for a forklift attachable pusher, as shown and described.

**DESCRIPTION**

FIG. 1 is a front-top-right perspective view of a forklift attachable pusher showing my new design; FIG. 2 is a rear-top-right perspective view thereof; FIG. 3 is a rear-bottom-left perspective view thereof; FIG. 4 is a front elevational view thereof; FIG. 5 is a rear elevational view thereof; FIG. 6 is a left elevational view thereof; FIG. 7 is a right elevational view thereof; FIG. 8 is a top plan view thereof; FIG. 9 is a bottom plan view thereof; and, FIG. 10 is a reduced front-top-right perspective view of the forklift attachable pusher in condition of use. The broken lines showing fasteners in FIGS. 1 through 10 and the broken lines showing a forklift in FIG. 10 are included for the purpose of showing environmental structure and form no part of the claimed design.

**1 Claim, 10 Drawing Sheets**



(56)

**References Cited**

U.S. PATENT DOCUMENTS

2010/0101895 A1\* 4/2010 Collins ..... B66F 9/16  
187/237  
2011/0139546 A1\* 6/2011 Look ..... B66F 9/085  
187/237  
2011/0170999 A1\* 7/2011 Hailston ..... B66F 9/12  
414/607  
2023/0264934 A1\* 8/2023 Okuda ..... B66F 9/10  
414/812

OTHER PUBLICATIONS

Push Pull Forklift truck attachment, retrieved on Oct. 10, 2023,  
<https://www.indiamart.com/proddetail/push-pull-forklift-truck-attachment-20439896473.html> (Year: 2023).\*

\* cited by examiner

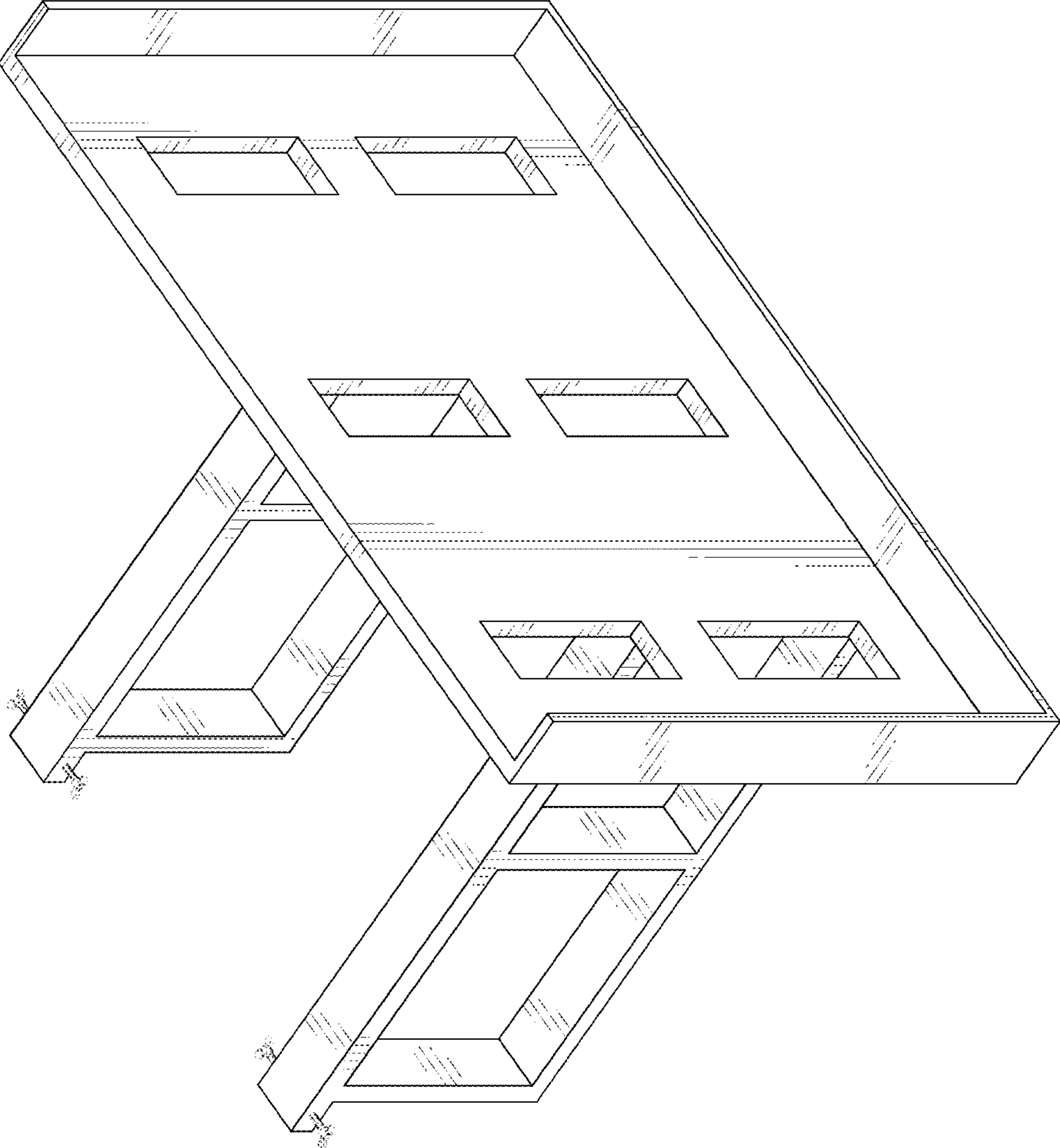


FIG. 1

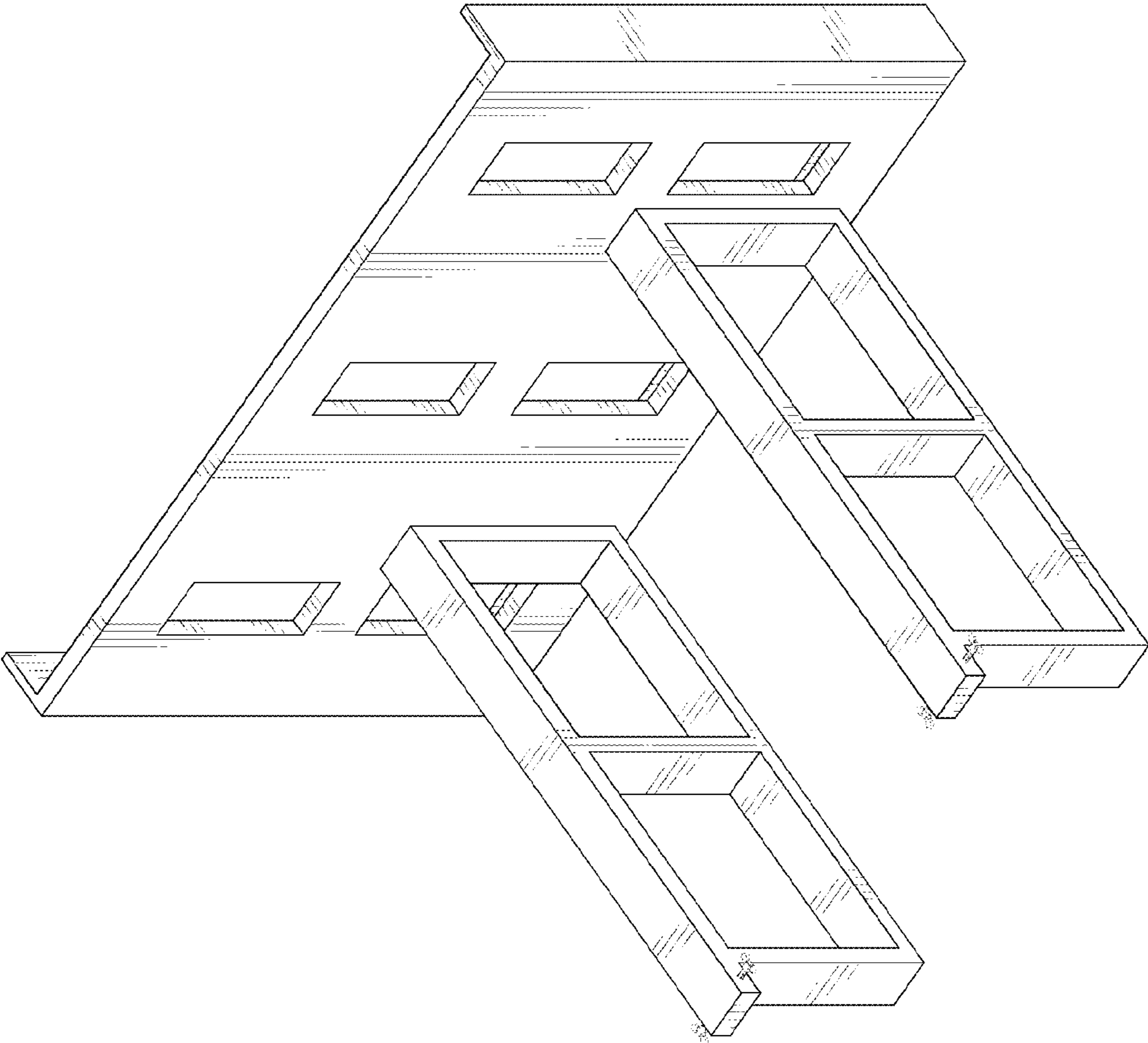


FIG. 2

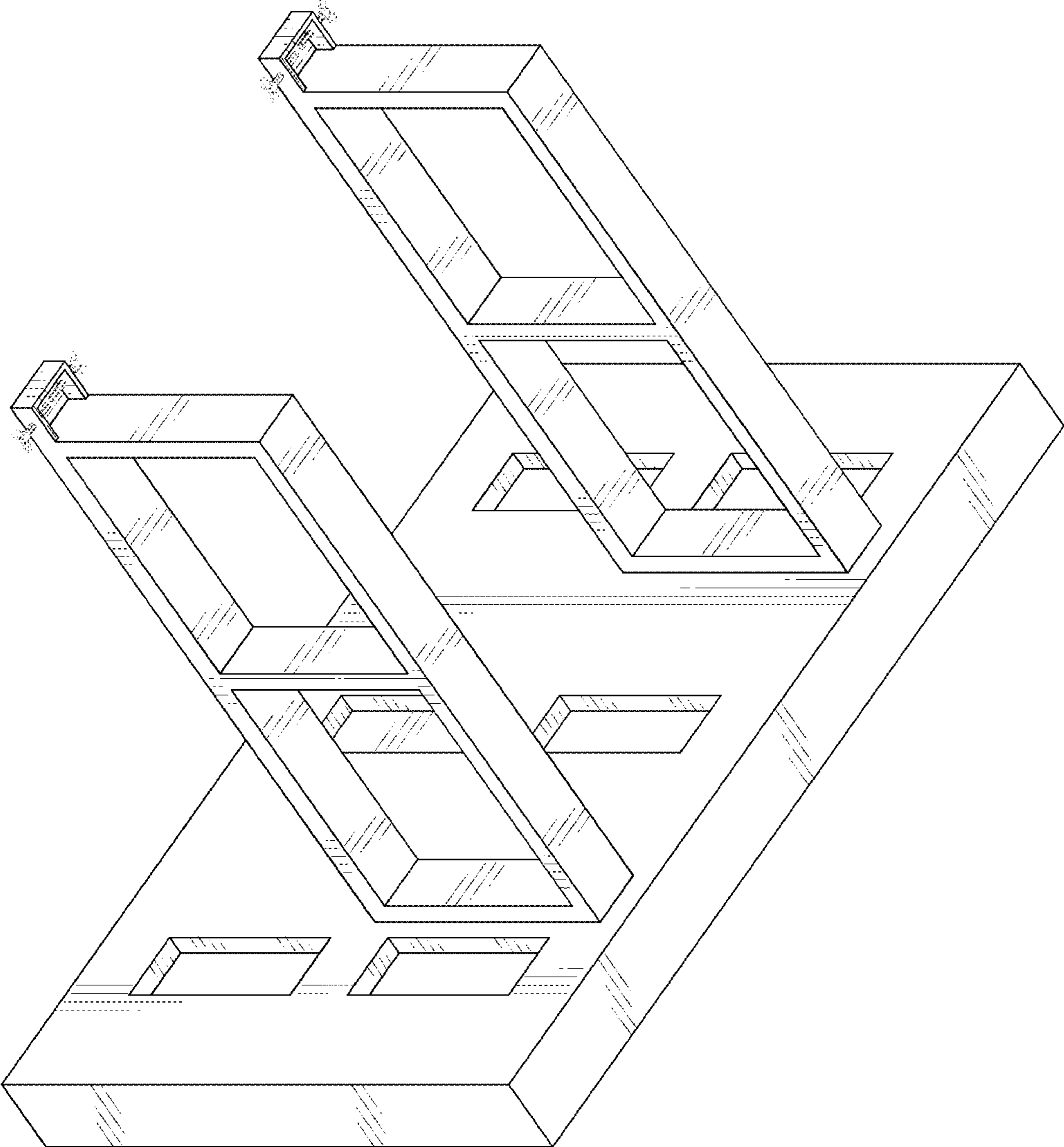


FIG. 3



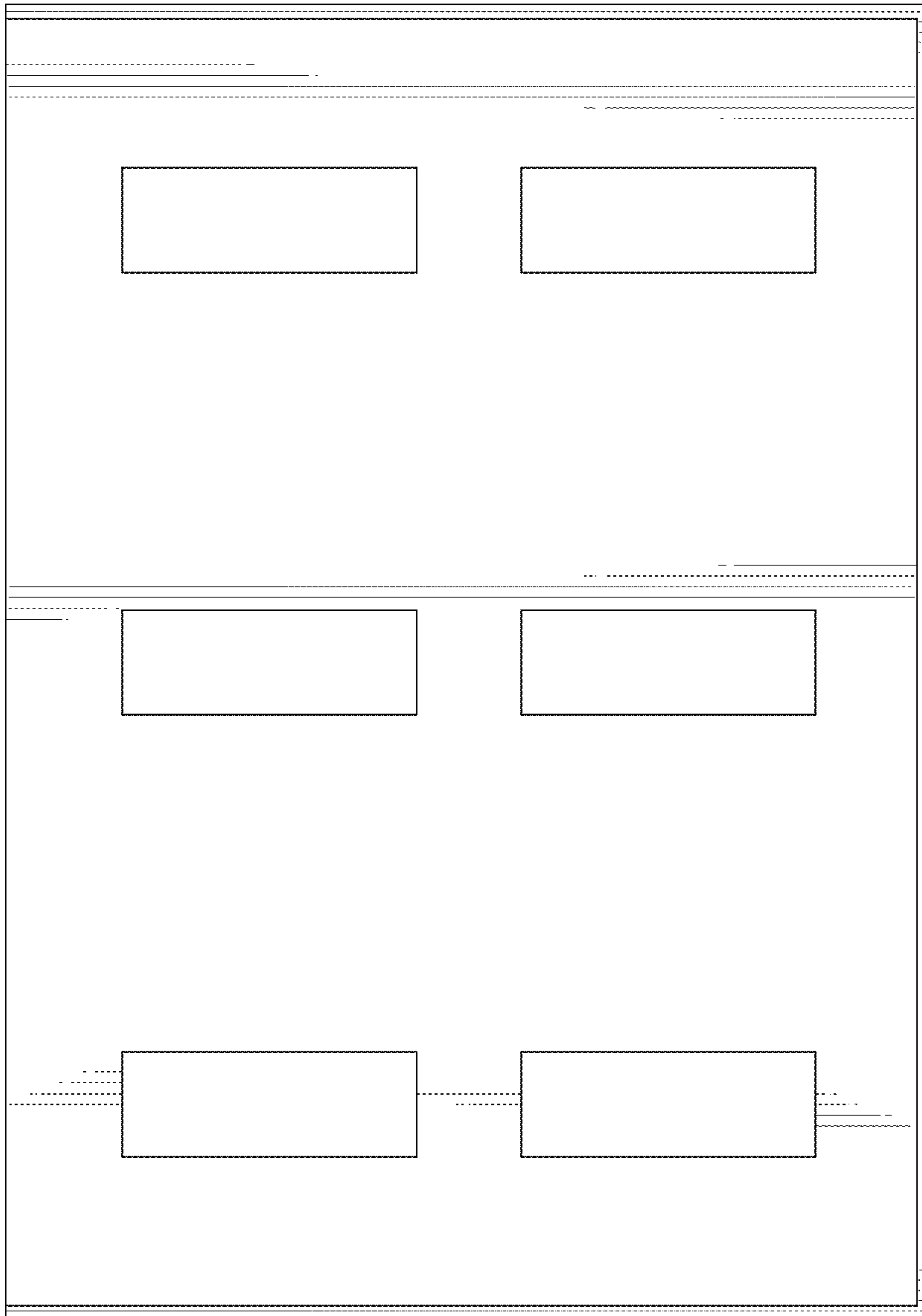


FIG. 4

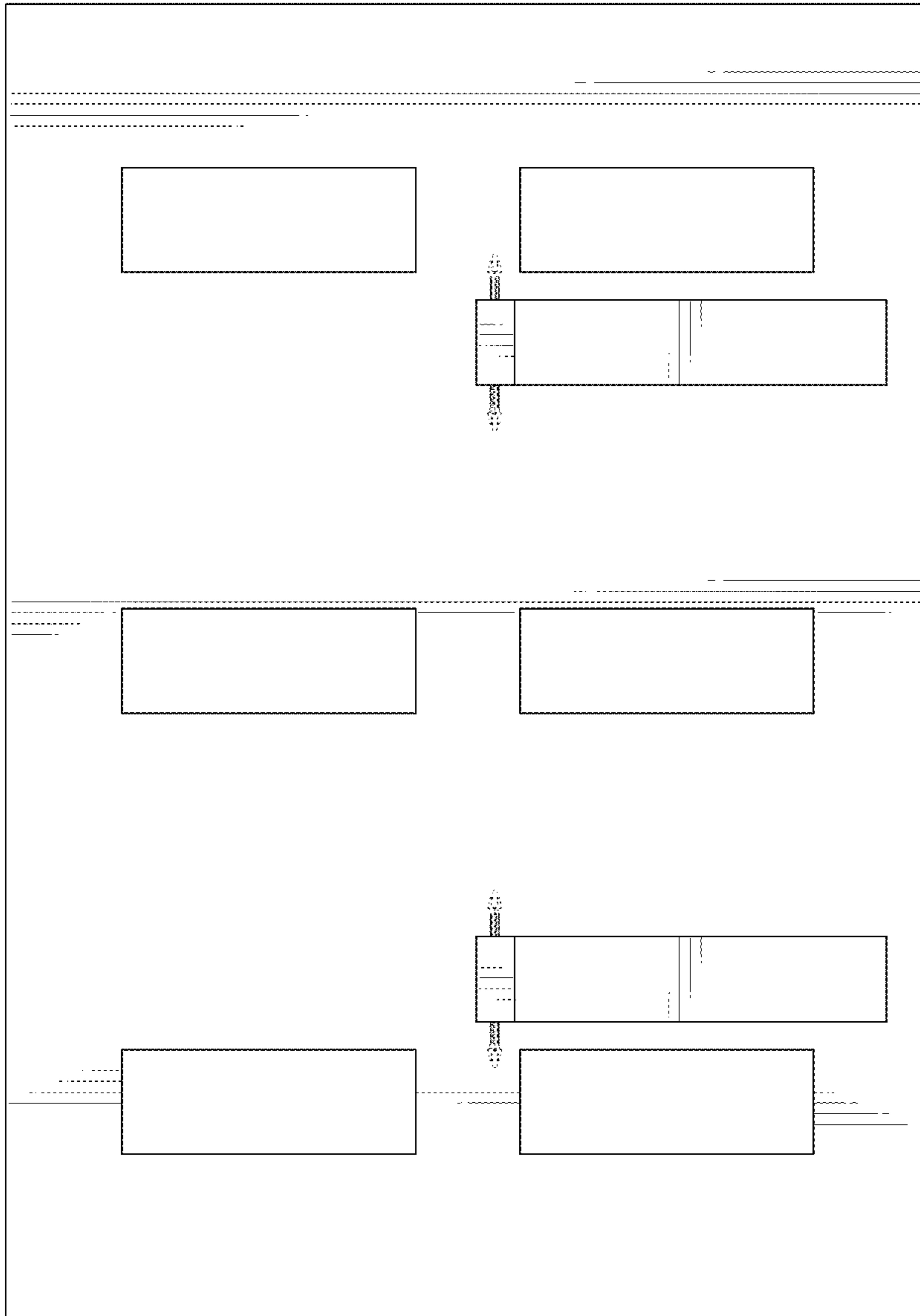


FIG. 5

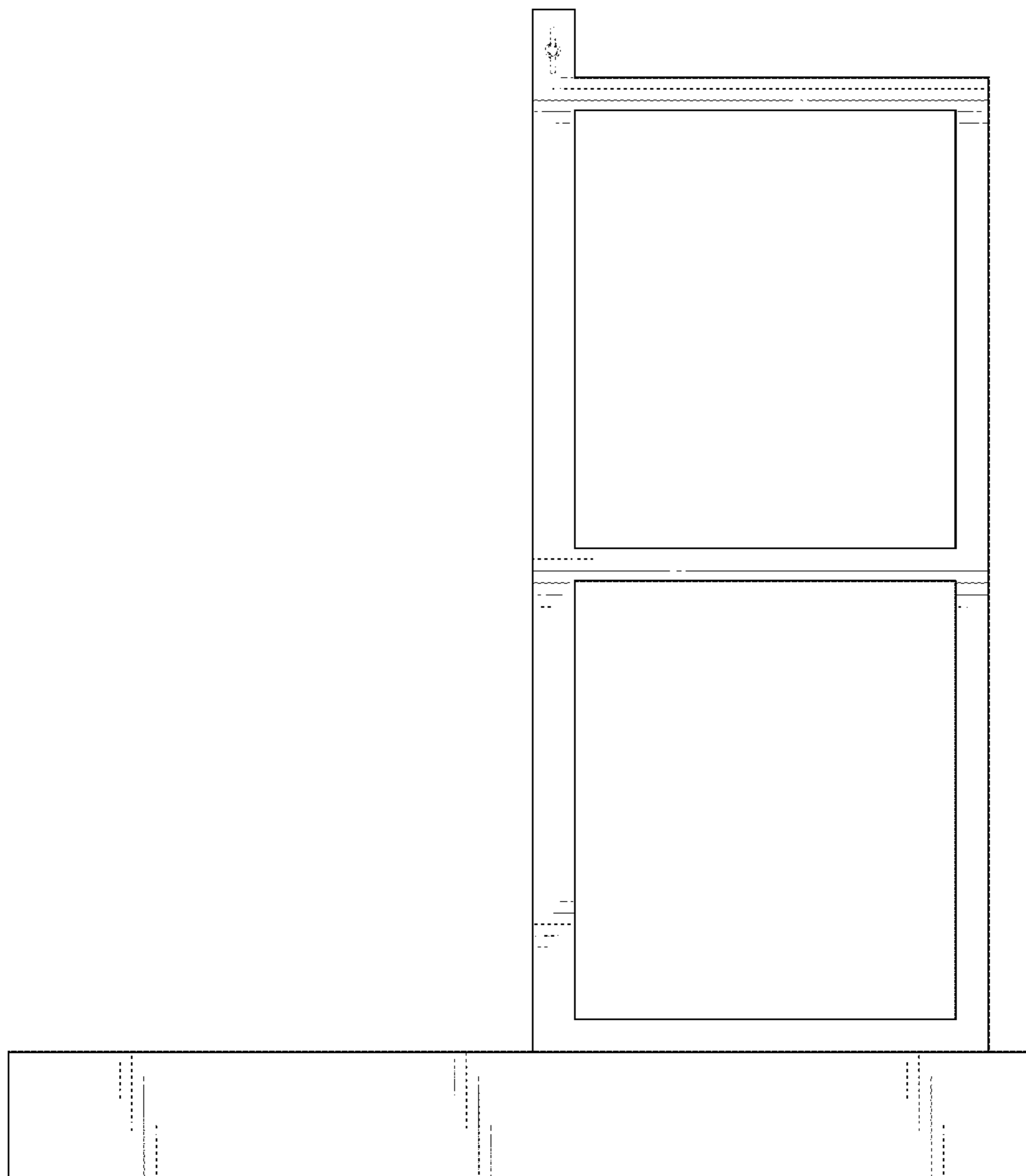


FIG. 6



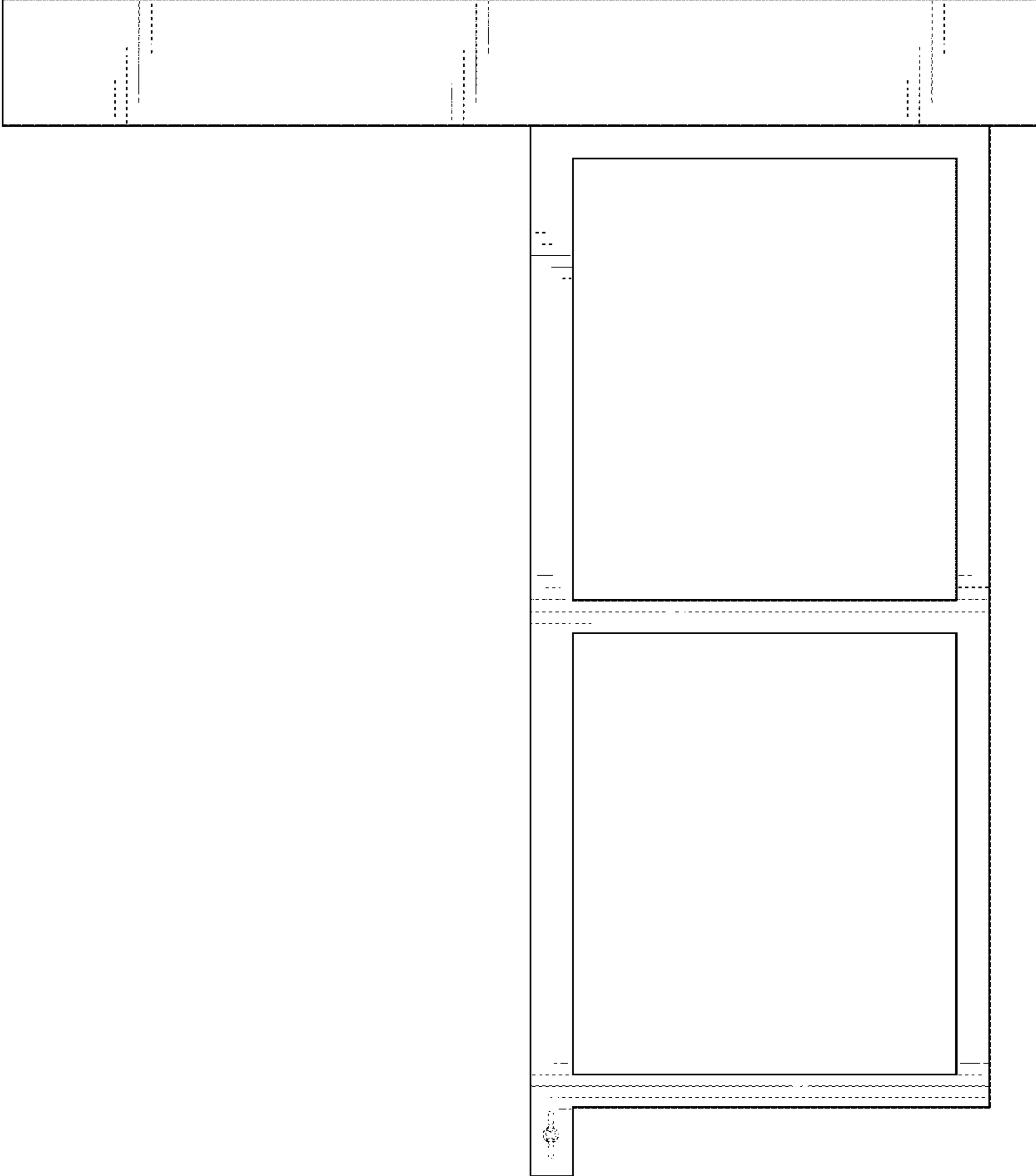


FIG. 7

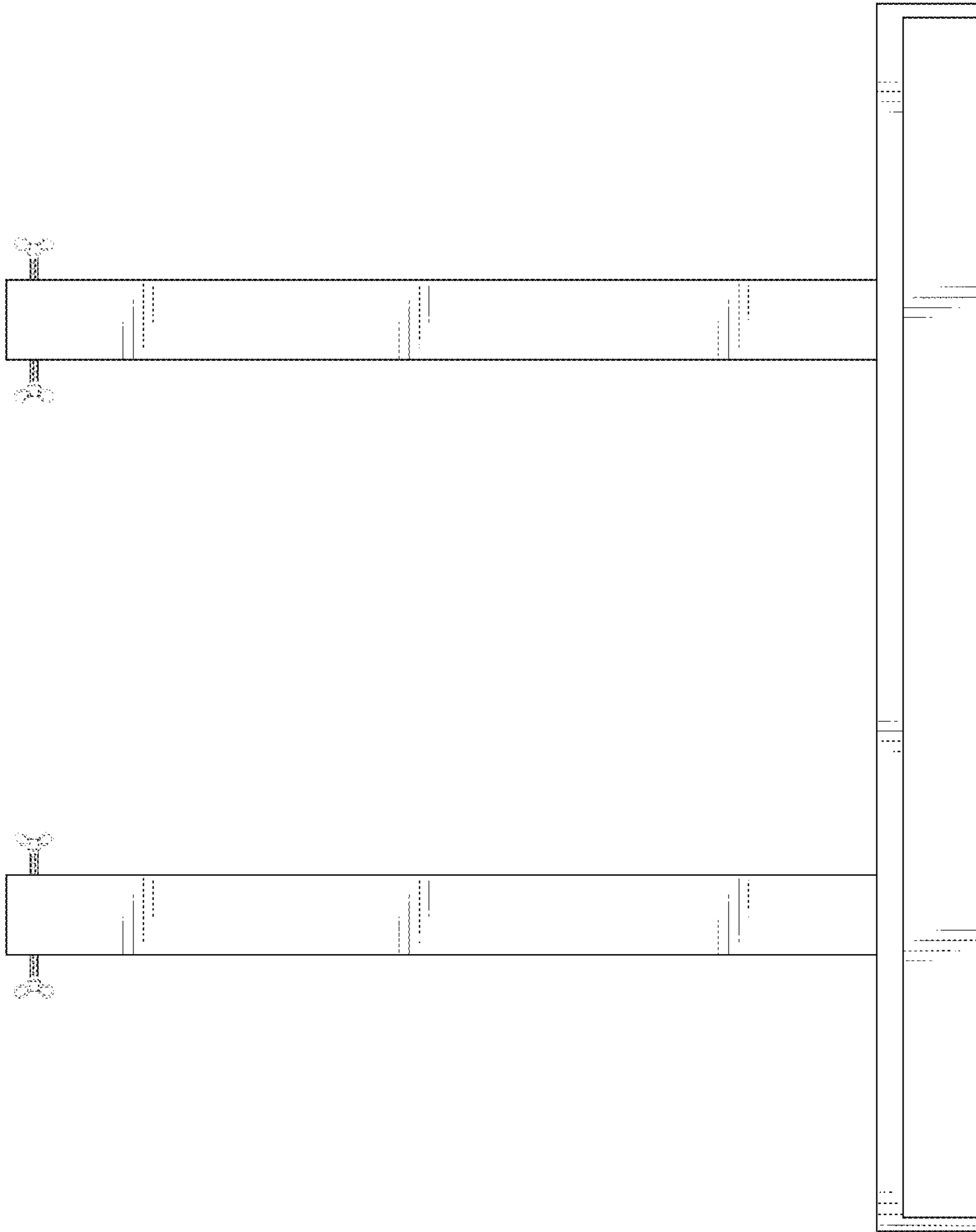


FIG. 8

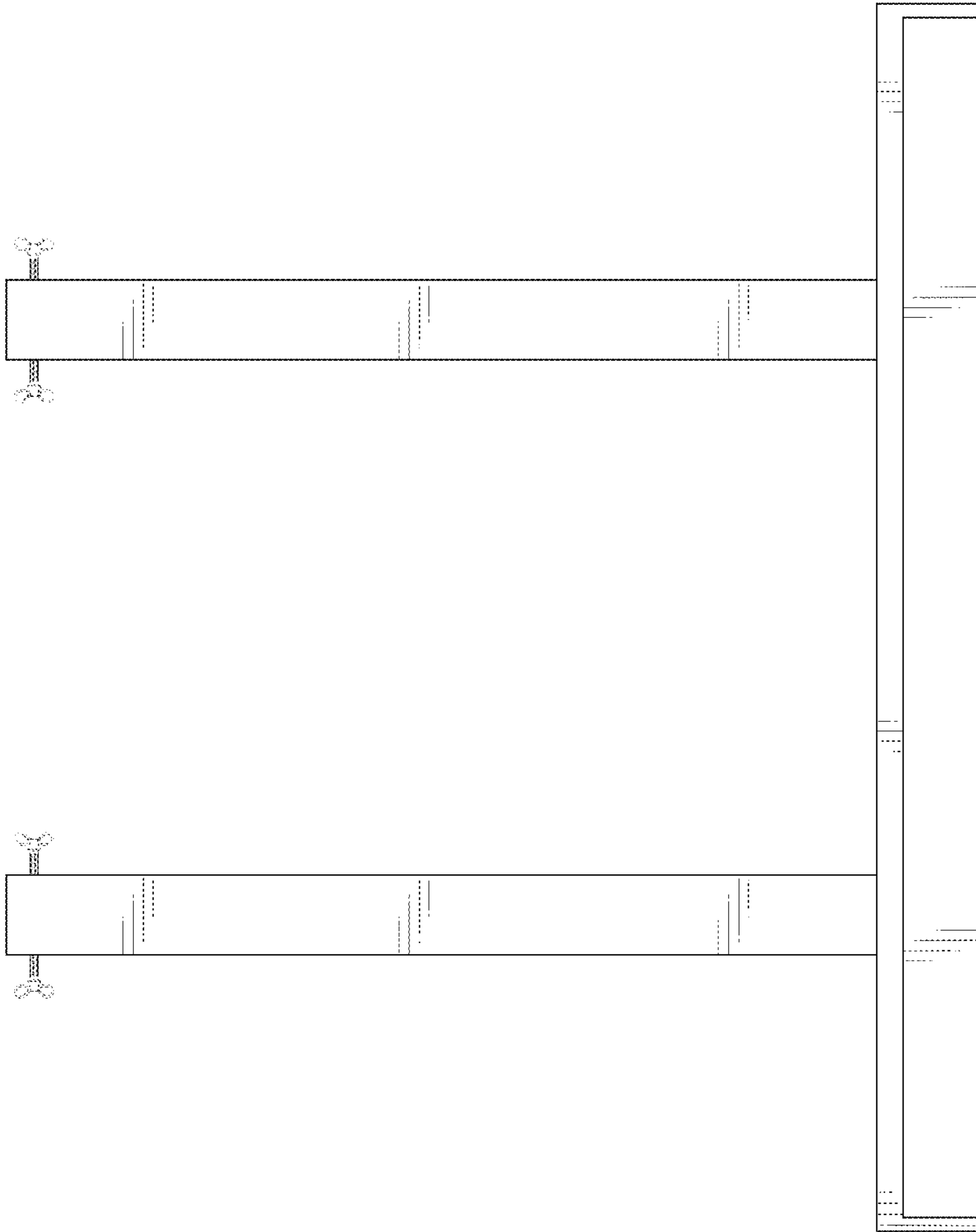


FIG. 9

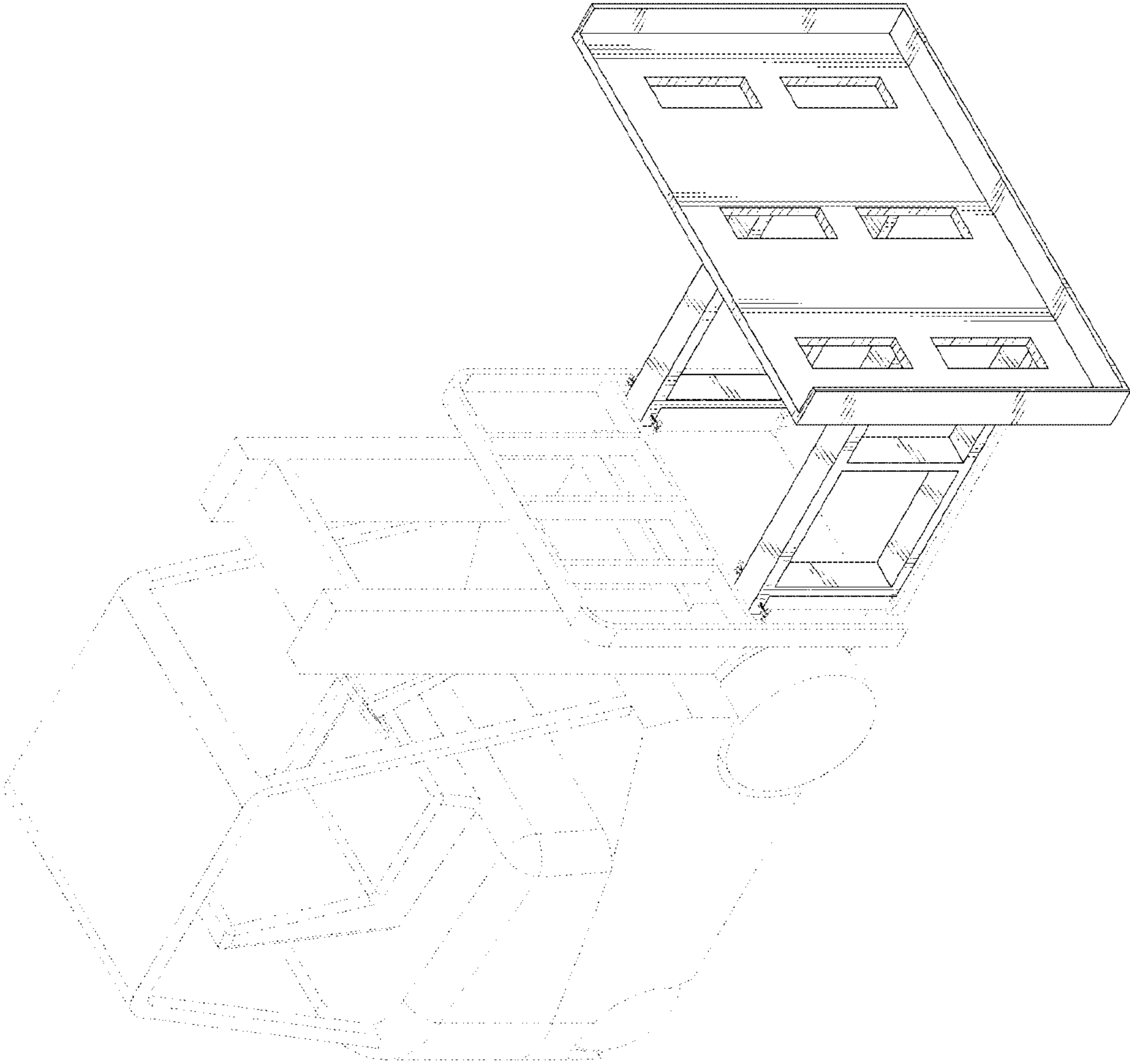


FIG. 10