



US0D1022344S

(12) **United States Design Patent** (10) **Patent No.:** **US D1,022,344 S**  
**Young** (45) **Date of Patent:** **\*\* Apr. 9, 2024**

(54) **ANIMAL ID COLLAR**  
(71) Applicant: **Tracy Young**, Wellington, FL (US)  
(72) Inventor: **Tracy Young**, Wellington, FL (US)  
(\*\*) Term: **15 Years**  
(21) Appl. No.: **29/758,012**  
(22) Filed: **Nov. 11, 2020**  
(51) **LOC (14) Cl.** ..... **30-04**  
(52) **U.S. Cl.**  
USPC ..... **D30/152**  
(58) **Field of Classification Search**  
USPC ..... D30/152, 153, 155, 199; D24/190;  
D2/628, 635, 894, 895; D11/108, 218;  
D10/32, 104.1, 104.2  
CPC ... A01K 27/001; A01K 27/006; A01K 15/021  
See application file for complete search history.

2014/0299072 A1\* 10/2014 James ..... A01K 27/006  
119/856  
2015/0080638 A1\* 3/2015 Kunnari ..... A01K 27/009  
600/15  
2017/0215387 A1\* 8/2017 Kadell ..... A01K 27/001

**OTHER PUBLICATIONS**

“Undercollar: Stretch Pet Collar w-ID, QR Code and GPS”. Found online Aug. 30, 2023 at facebook.com. Reference dated Aug. 30, 2020. Ownership supported by add’l sites. Retrieved from facebook.com, undercollar.com, opencorporates.com and linkedin.com.\*  
“PD Store: Leather Collar w Name Plate”. Found online Mar. 11, 2021 at all-about-pitbull-dog-breed.com. Reference dated Sep. 23, 2017. Retrieved from [https://tineye.com/search/7fbc19bad83a2b959976e0dbdb9c6a2de3a4e161?sort=crawl\\_date&order=asc&page=1](https://tineye.com/search/7fbc19bad83a2b959976e0dbdb9c6a2de3a4e161?sort=crawl_date&order=asc&page=1).\*  
“Kyon: LED/ GPS Pet Collar”. Found online Mar. 11, 2021 at kickstarter.com. Reference dated Mar. 16, 2016. Retrieved from <https://www.kickstarter.com/projects/kyontracker/kyon>.\*  
“DogIDs: Personalized Buckle Dog Collar”. Found online Sep. 18, 2017 at dogids.com. Reference dated Jul. 1, 2013. Retrieved from <https://www.dogids.com/product/personalized-buckle-nylon-dog-collars/>.\*

\* cited by examiner

*Primary Examiner* — Kendra Leslie Hamilton

(57) **CLAIM**

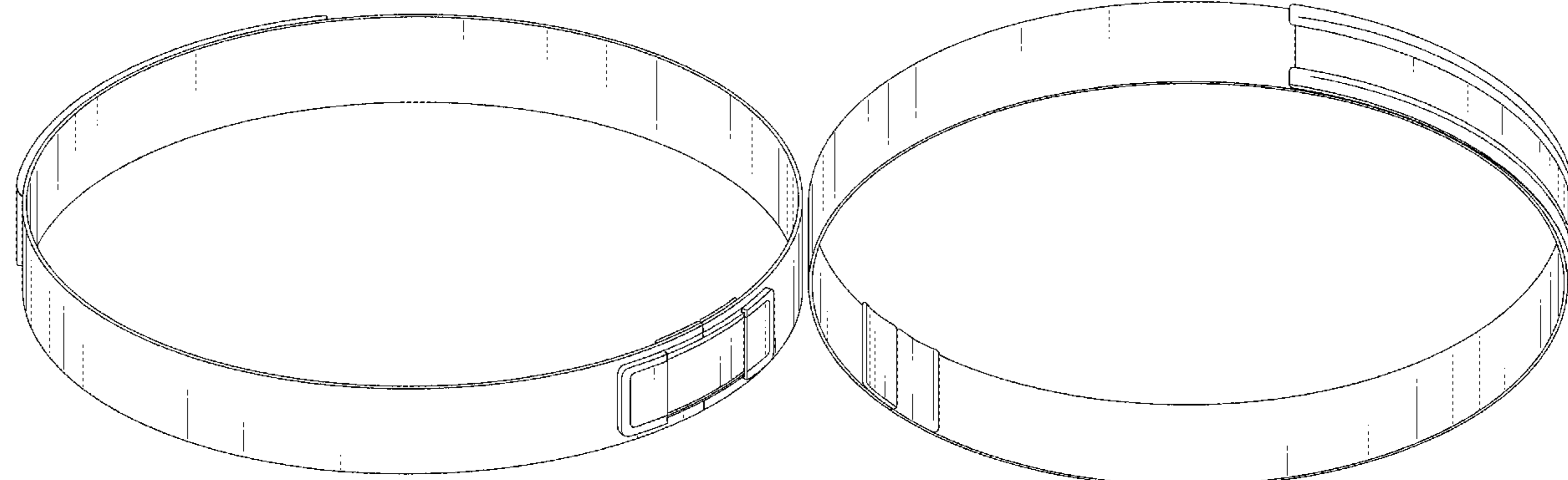
The ornamental design for an animal ID collar, as shown and described.

**DESCRIPTION**

FIG. 1 is a front top perspective view of an animal ID collar showing my new design;  
FIG. 2 is a rear bottom perspective view thereof;  
FIG. 3 is a right side elevational view thereof;  
FIG. 4 is a left side elevational view thereof;  
FIG. 5 is a front elevational view thereof;  
FIG. 6 is a rear elevational view thereof;  
FIG. 7 is a top plan view thereof; and,  
FIG. 8 is a bottom plan view thereof.

**1 Claim, 8 Drawing Sheets**

(56) **References Cited**  
U.S. PATENT DOCUMENTS  
3,585,743 A \* 6/1971 Jeffers ..... A01K 27/006  
40/665  
4,218,991 A \* 8/1980 Cole ..... A01K 27/007  
119/858  
5,740,623 A \* 4/1998 Juhan ..... G09F 3/005  
63/3  
7,185,613 B2\* 3/2007 Arvanitis ..... A01K 27/006  
63/3  
D643,159 S \* 8/2011 Howitz ..... D30/152  
D687,194 S \* 7/2013 Reed ..... D30/152  
D716,174 S \* 10/2014 Tsang ..... D11/3  
D726,057 S \* 4/2015 Wai ..... D11/4  
D947,465 S \* 3/2022 Yi ..... D30/152  
2007/0283901 A1\* 12/2007 LeVally ..... A01K 27/006  
119/858



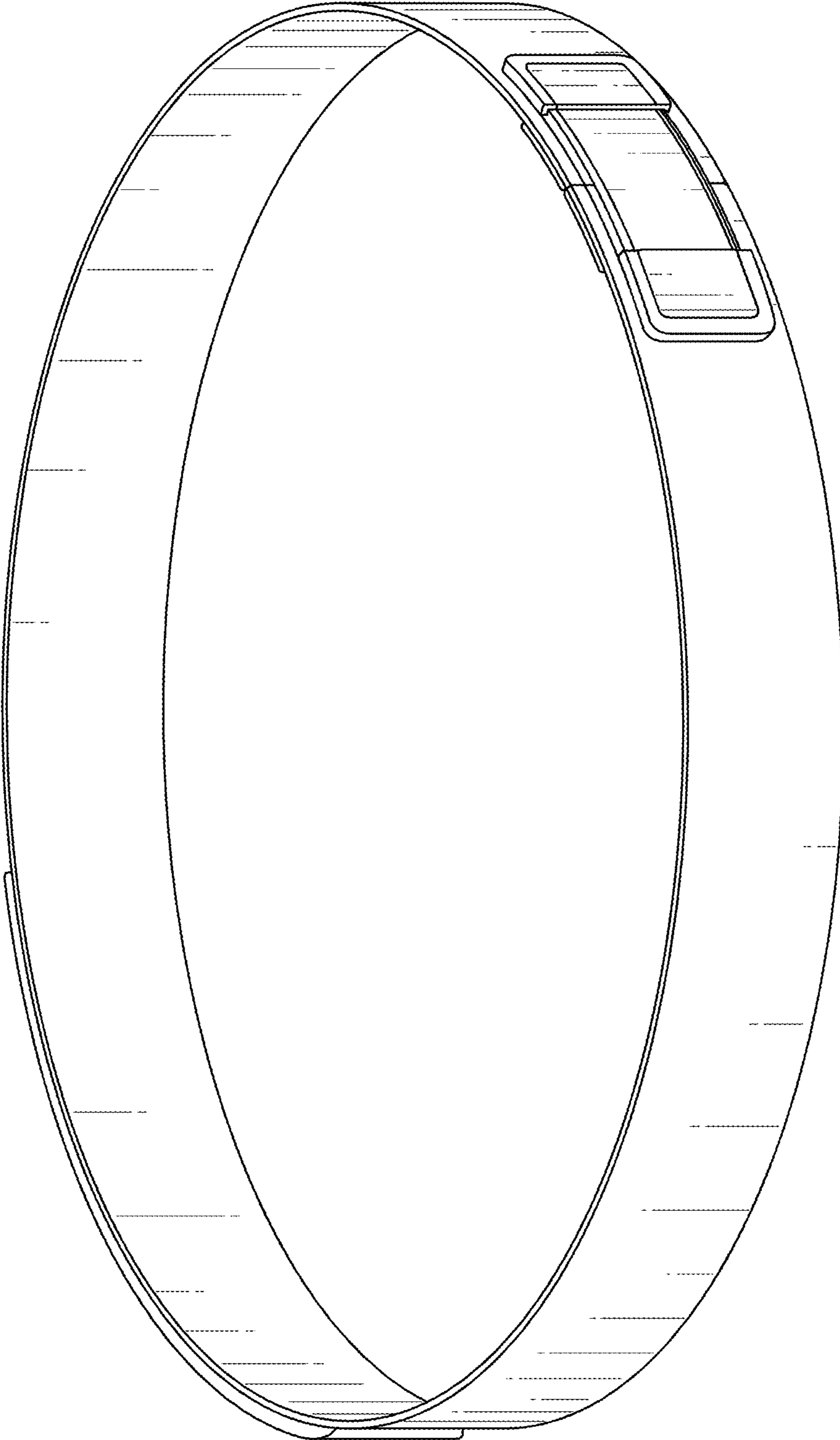


FIG. 1

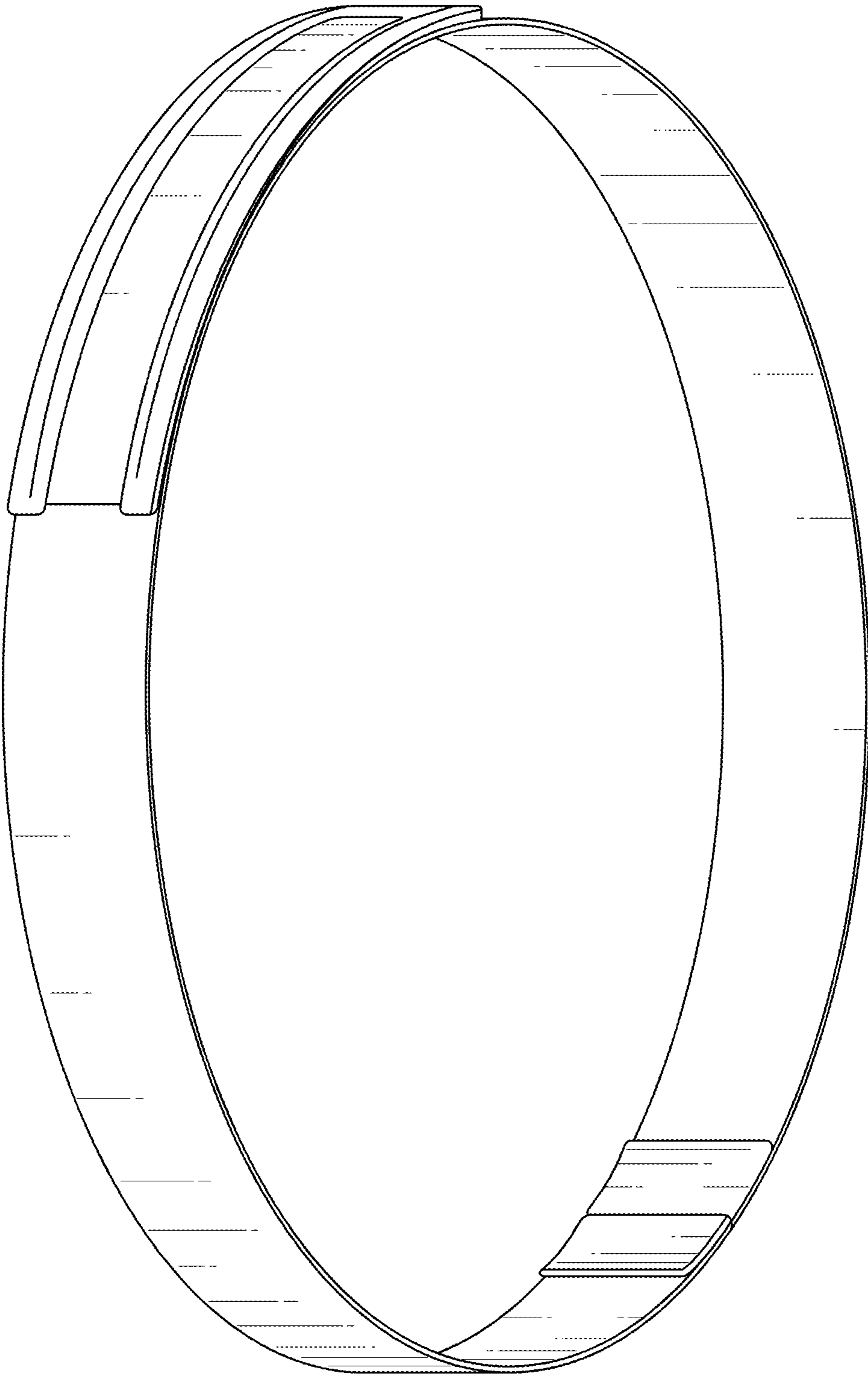


FIG. 2



FIG. 3



FIG. 4

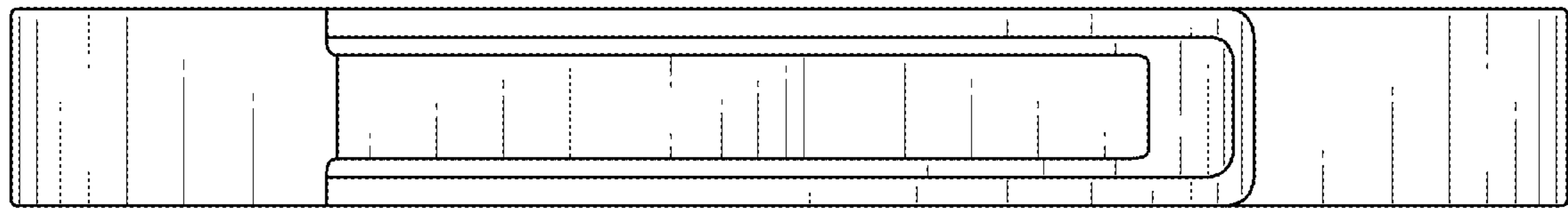


FIG. 5

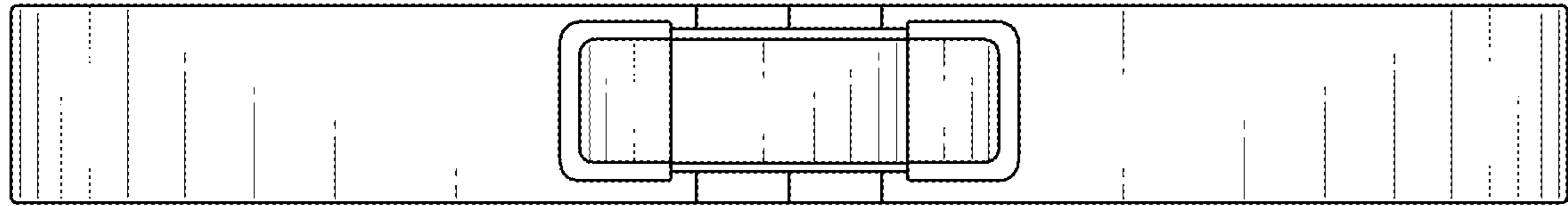


FIG. 6

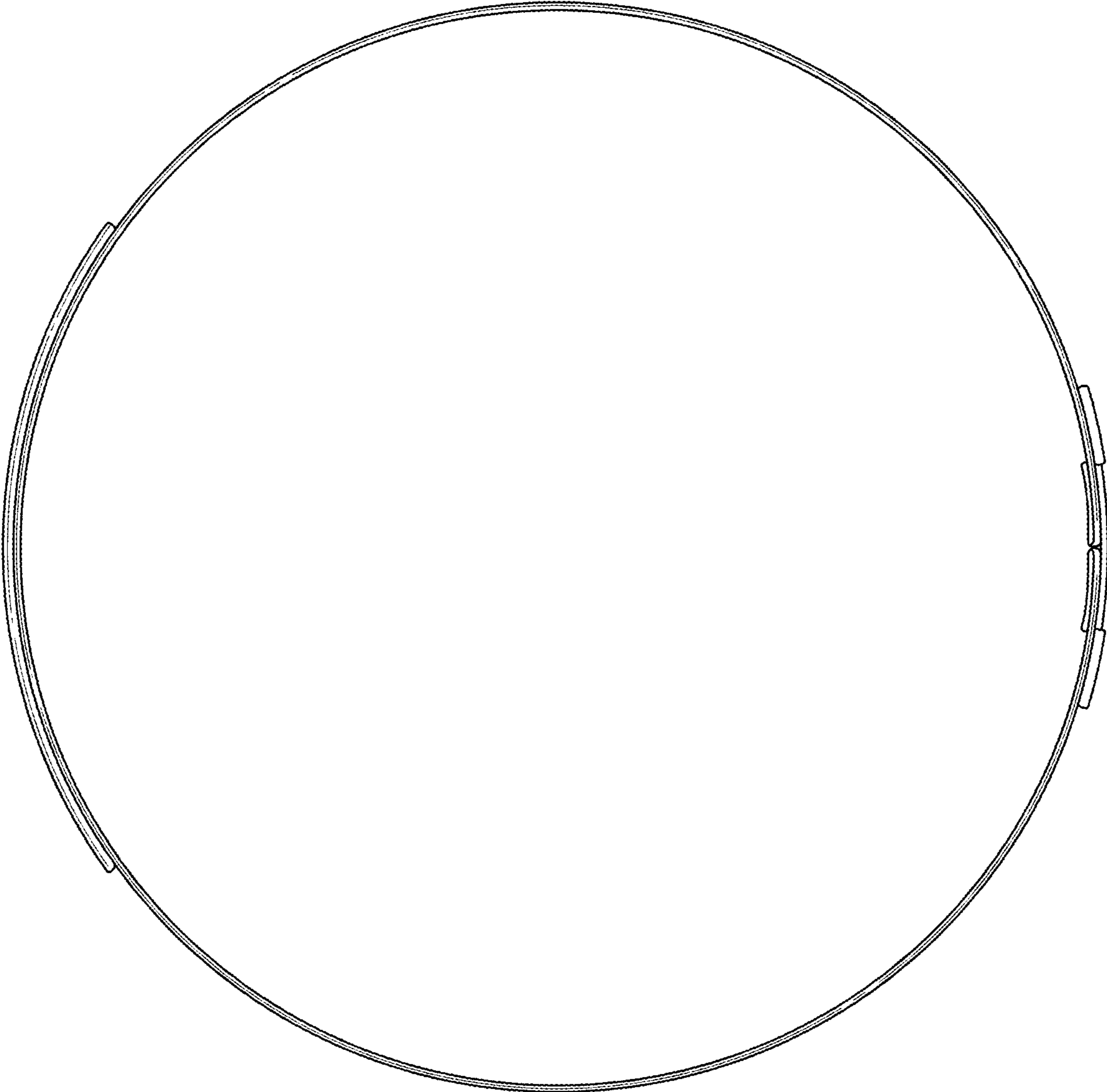


FIG. 7



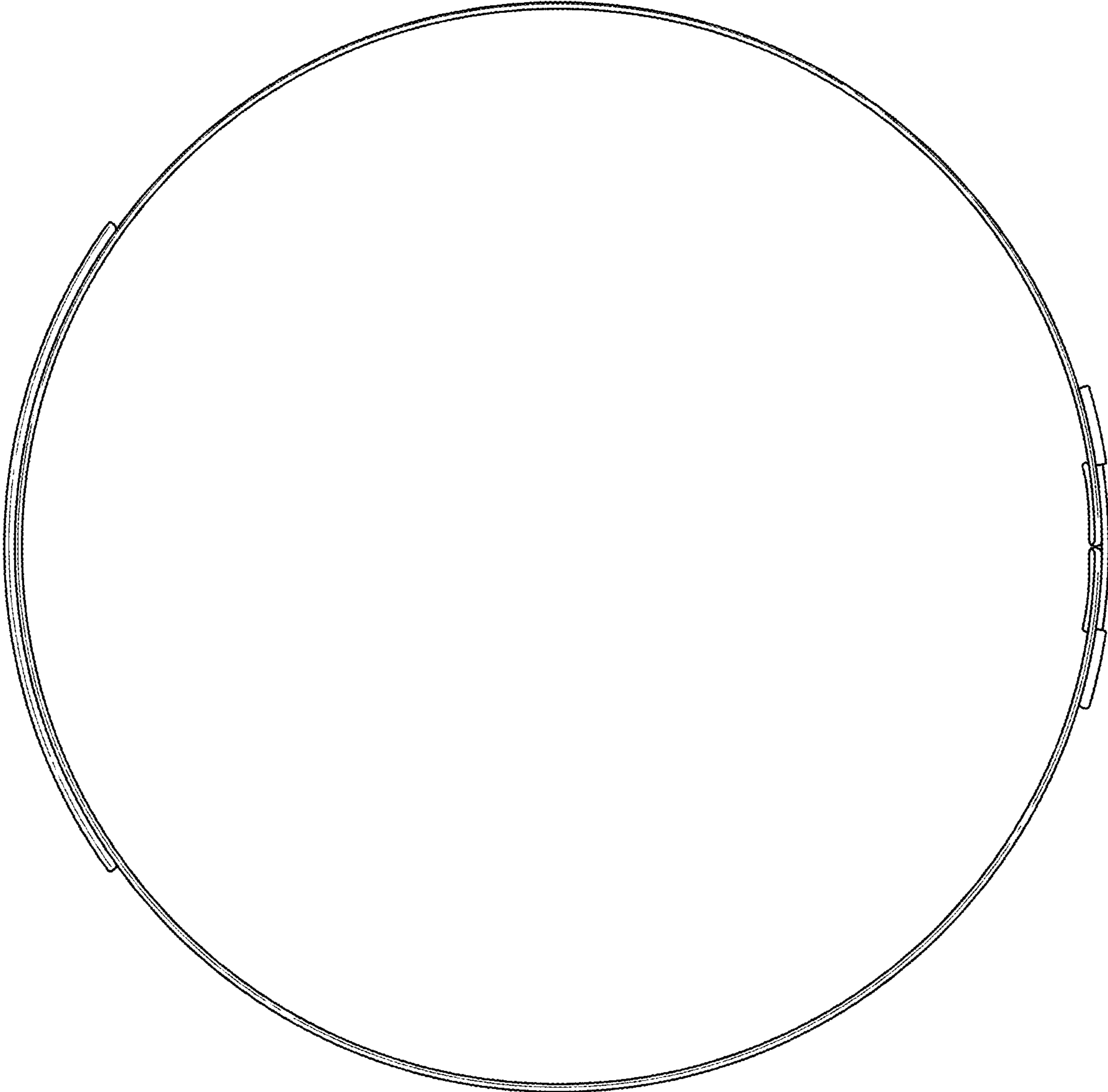


FIG. 8