



US0D1022217S

(12) **United States Design Patent** (10) **Patent No.:** **US D1,022,217 S**
Chaloupka et al. (45) **Date of Patent:** **** Apr. 9, 2024**

(54) **ORTHODONTIC BONDING PAD**

FOREIGN PATENT DOCUMENTS

(71) Applicant: **American Orthodontics Corporation**,
Sheboygan, WI (US)

EP 0931518 A1 7/1999
WO 2003028575 A2 4/2003
WO 2009094685 A1 8/2009

(72) Inventors: **Amie Chaloupka**, Sheboygan, WI
(US); **Eric W. Nimmer**, Plymouth, WI
(US); **Lindy Couwenhoven**, Grafton,
WI (US)

Primary Examiner — Wan Laymon
(74) *Attorney, Agent, or Firm* — Andrus Intellectual
Property Law, LLP

(73) Assignee: **American Orthodontics Corporation**,
Sheboygan, WI (US)

(57) **CLAIM**

The ornamental design for an orthodontic bonding pad, as
shown and described.

(**) Term: **15 Years**

DESCRIPTION

(21) Appl. No.: **29/845,569**

(22) Filed: **Jul. 8, 2022**

(51) **LOC (14) Cl.** **24-02**

(52) **U.S. Cl.**
USPC **D24/180**

(58) **Field of Classification Search**
USPC D24/176, 177, 178, 180, 181, 182
CPC A61C 7/00; A61C 7/12; A61C 7/14; A61C
7/10; A61C 7/08; A61C 7/16; A61C
7/146; A61C 7/145; A61C 7/22; A61C
7/36

See application file for complete search history.

FIG. 1 is an environmental perspective view of an orthodon-
tic bonding pad;
FIG. 2 is a front perspective view thereof;
FIG. 3 is a rear perspective view thereof;
FIG. 4 is a left side view thereof;
FIG. 5 is a right side thereof;
FIG. 6 is a bottom view thereof;
FIG. 7 is a top view thereof;
FIG. 8 is a front view thereof; and
FIG. 9 is a rear view thereof.
FIG. 10 is an environmental perspective view of an ortho-
odontic bonding pad;
FIG. 11 is a front perspective view thereof;
FIG. 12 is a rear perspective view thereof;
FIG. 13 is a left side view thereof;
FIG. 14 is a right side view thereof;
FIG. 15 is a bottom side view thereof;
FIG. 16 is a top side view thereof;
FIG. 17 is a front view thereof; and,
FIG. 18 is a rear view thereof.

The broken lines immediately adjacent the shaded areas
represent the bounds of the claimed design while ail other
broken ones are directed to environment and are for illus-
trative purposes only; the broken lines form no part of the
claimed design.

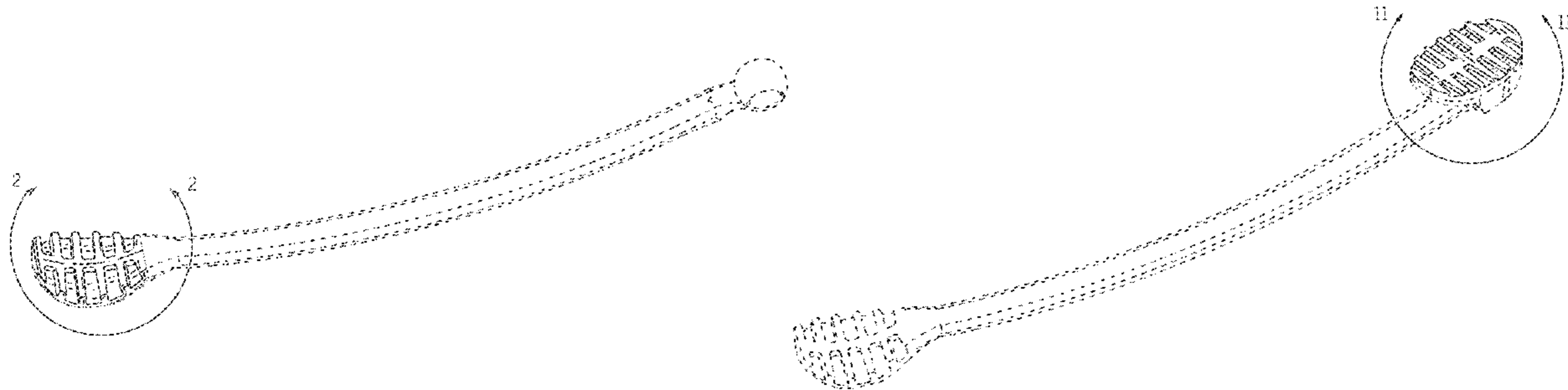
(56) **References Cited**

U.S. PATENT DOCUMENTS

4,483,674 A	11/1984	Schutz
5,299,935 A	4/1994	Lokar
5,302,121 A	4/1994	Gagin
D373,638 S	9/1996	Colbert
5,873,715 A	2/1999	Liou
6,976,839 B2	12/2005	Lluch
7,140,875 B2	11/2006	Lai et al.
7,238,022 B2	7/2007	Lluch
7,618,257 B2	11/2009	Lluch
8,636,507 B2	1/2014	Voudouris
D754,352 S	4/2016	Faust et al.

(Continued)

1 Claim, 10 Drawing Sheets



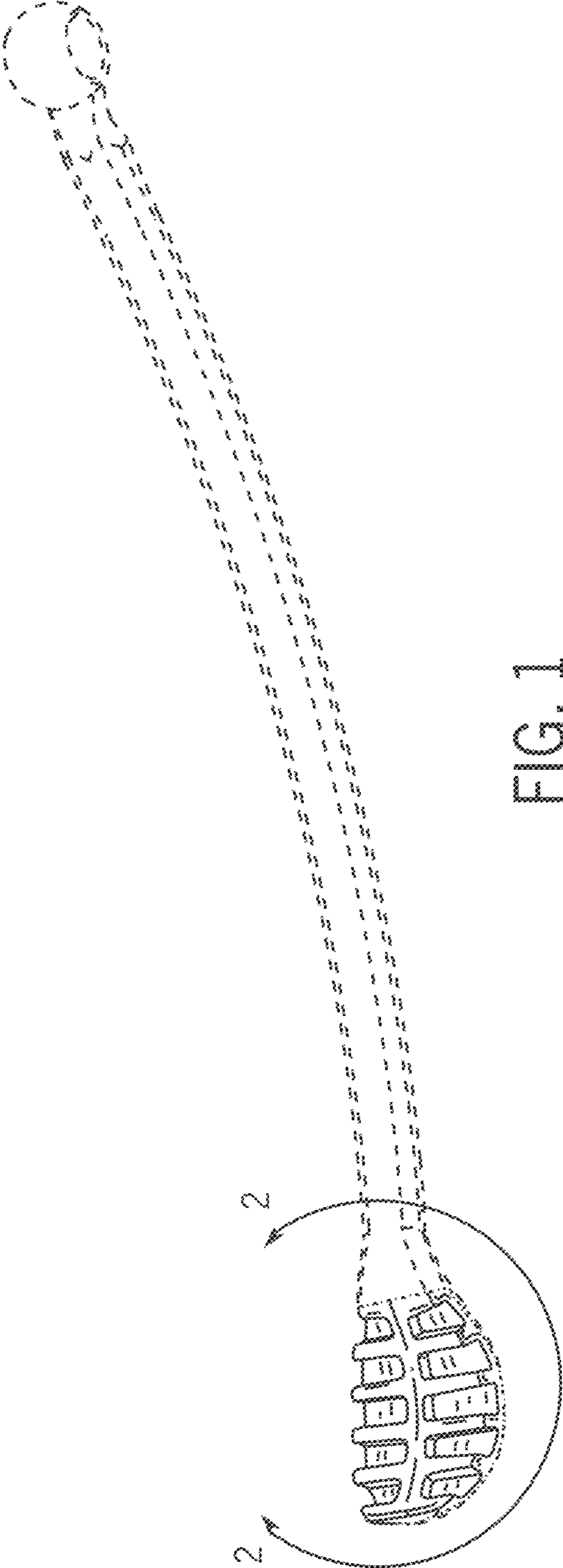
(56)

References Cited

U.S. PATENT DOCUMENTS

9,468,505	B2	10/2016	Sommer et al.	
9,687,318	B2	6/2017	Lluch et al.	
D797,294	S	9/2017	Sommer et al.	
10,080,628	B2	9/2018	Sommer et al.	
10,548,689	B2 *	2/2020	Ward	A61C 7/10
D919,097	S *	5/2021	Voudouris	D24/180
D944,993	S	3/2022	Nimmer et al.	
11,395,719	B2 *	7/2022	Suriano	A61C 7/14
2004/0197725	A1 *	10/2004	Lluch	A61C 7/14 433/18
2007/0166658	A1	7/2007	Voudouris	
2007/0218415	A1 *	9/2007	Lluch	A61C 7/14 433/7
2008/0160474	A1	7/2008	Wolf et al.	
2011/0076633	A1	3/2011	Bryant et al.	
2011/0189623	A1	8/2011	Moon et al.	
2018/0214249	A1 *	8/2018	Ward	A61C 7/00

* cited by examiner



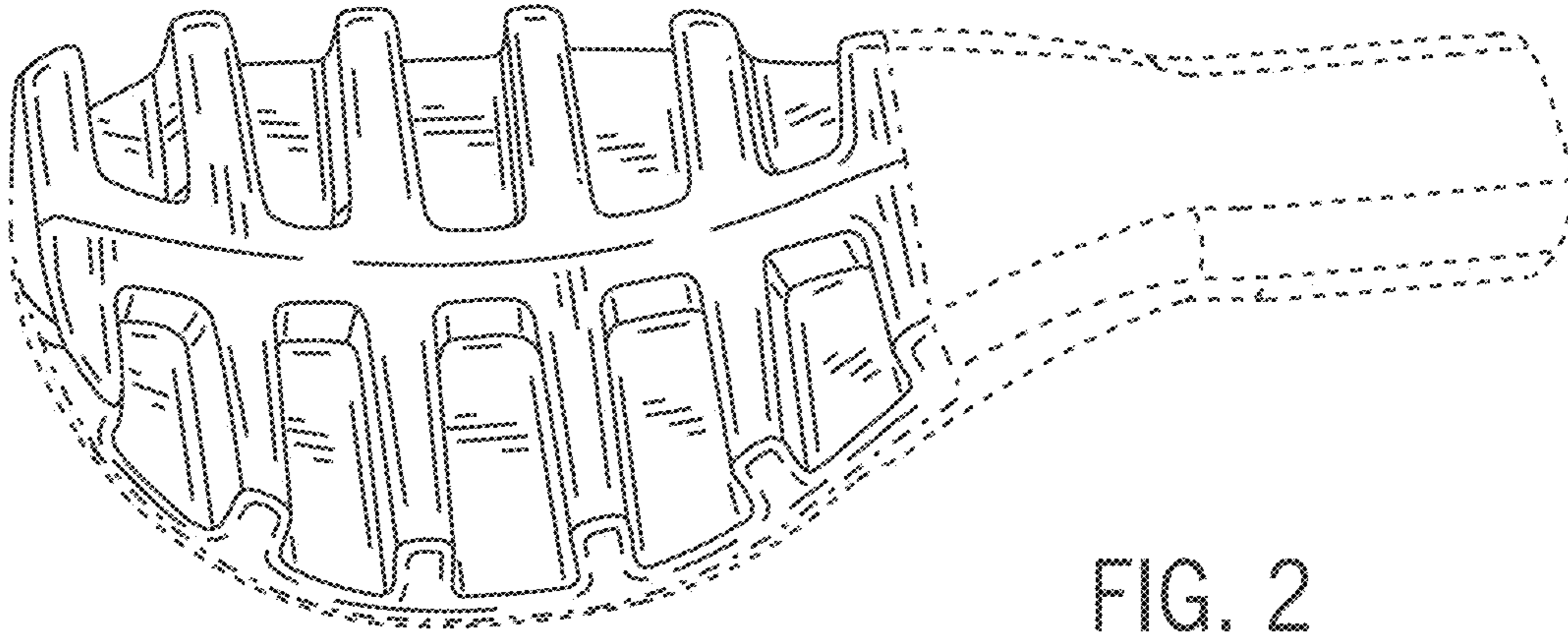


FIG. 2

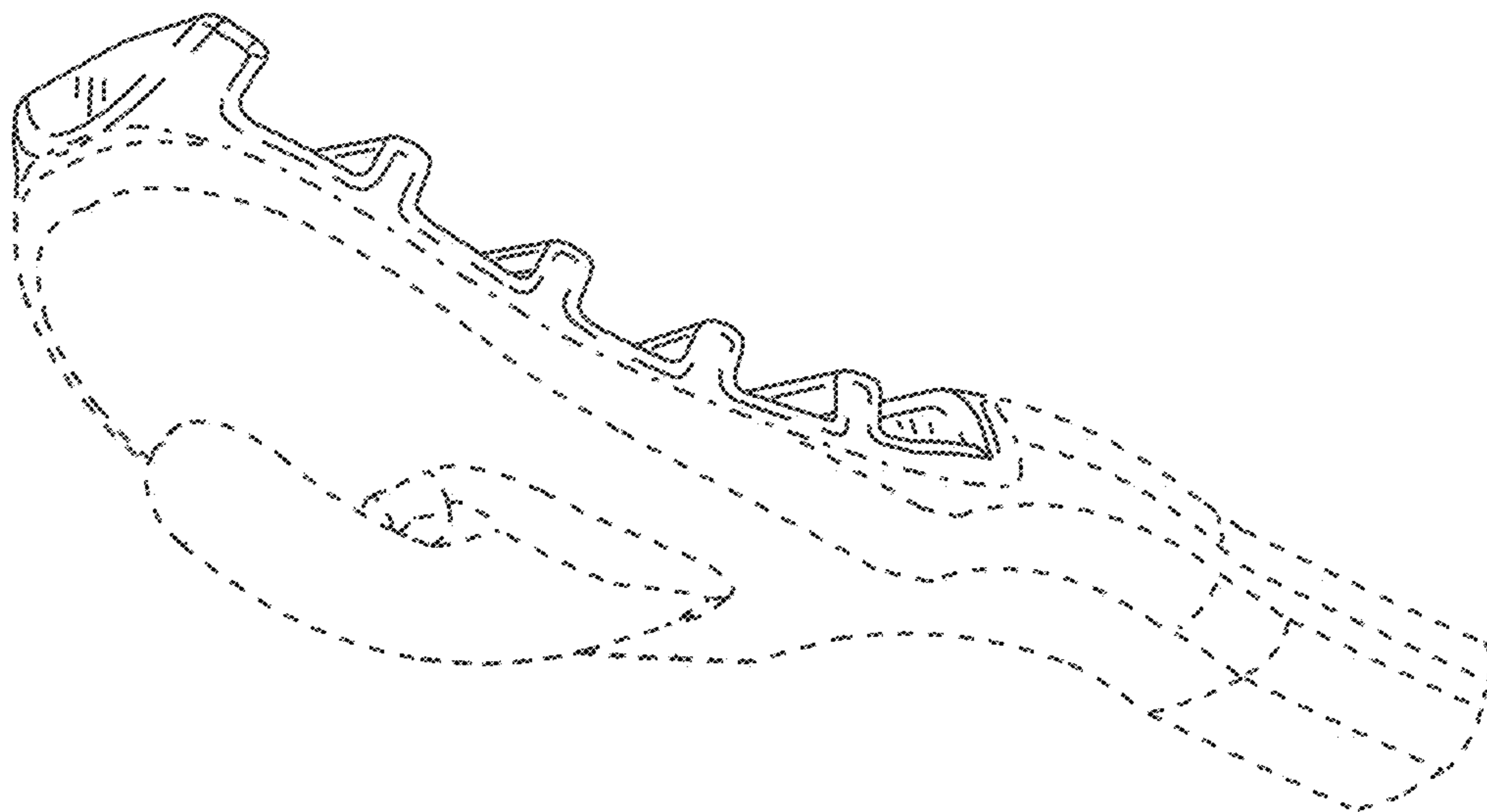


FIG. 3

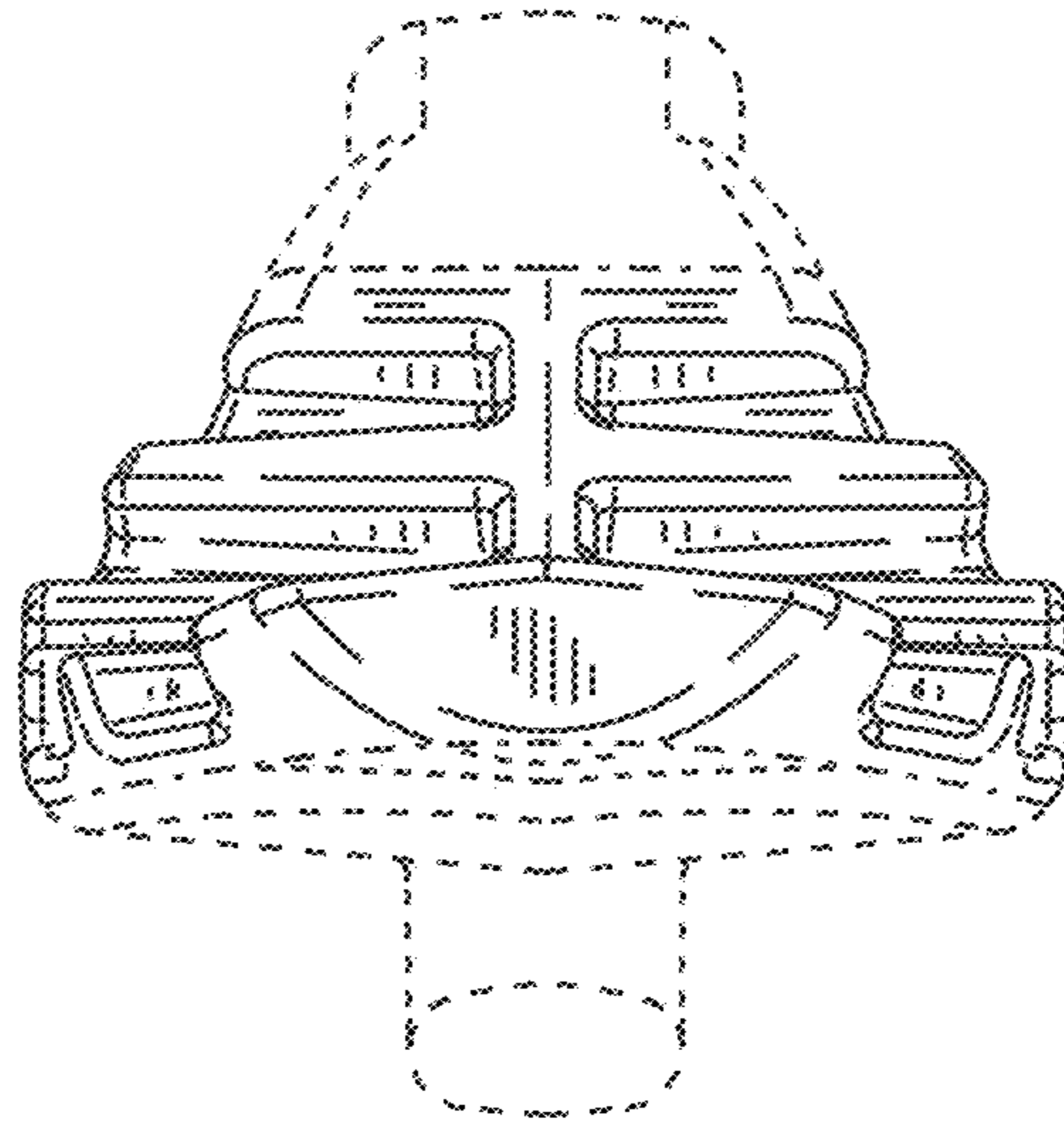


FIG. 4

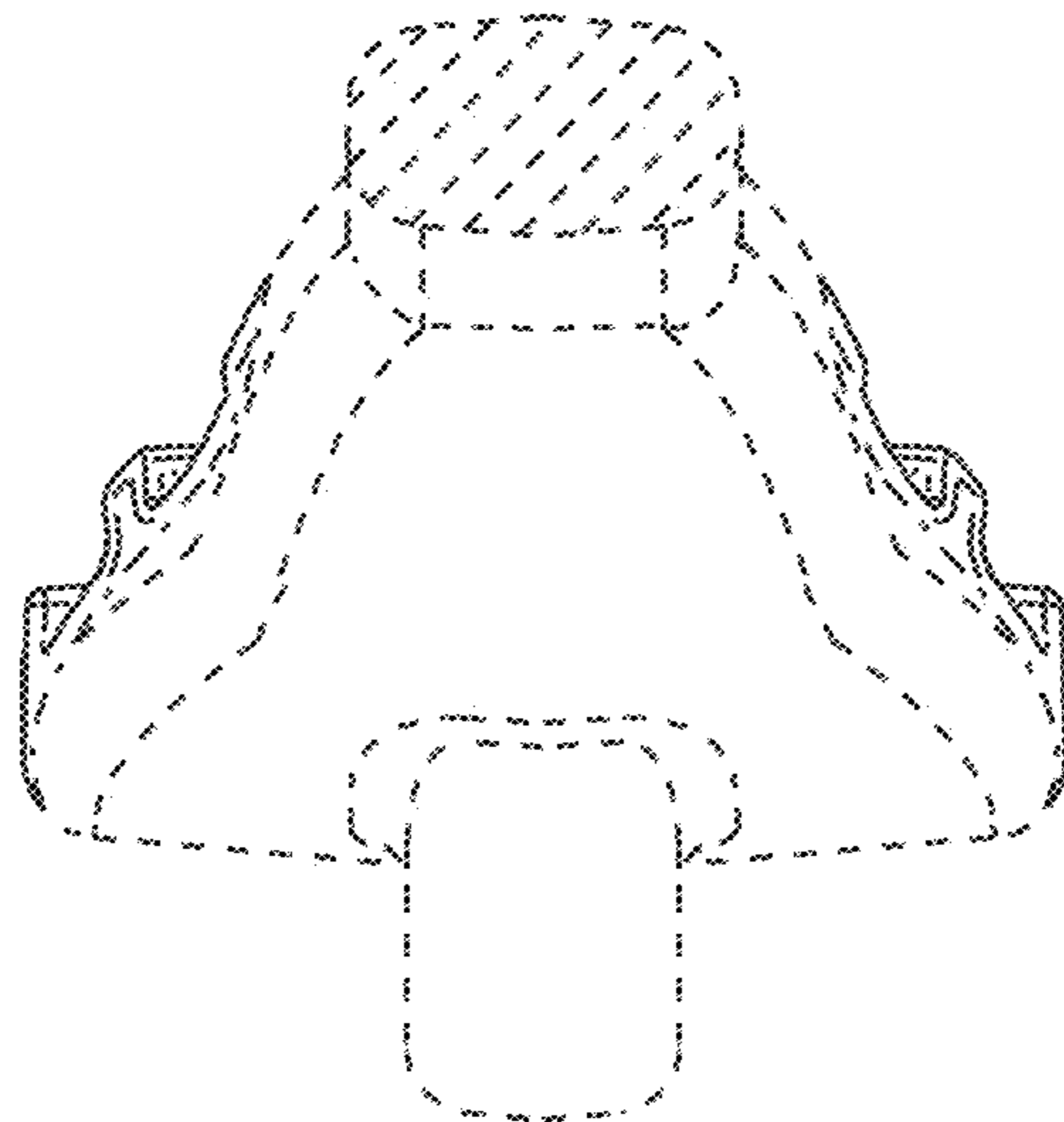


FIG. 5

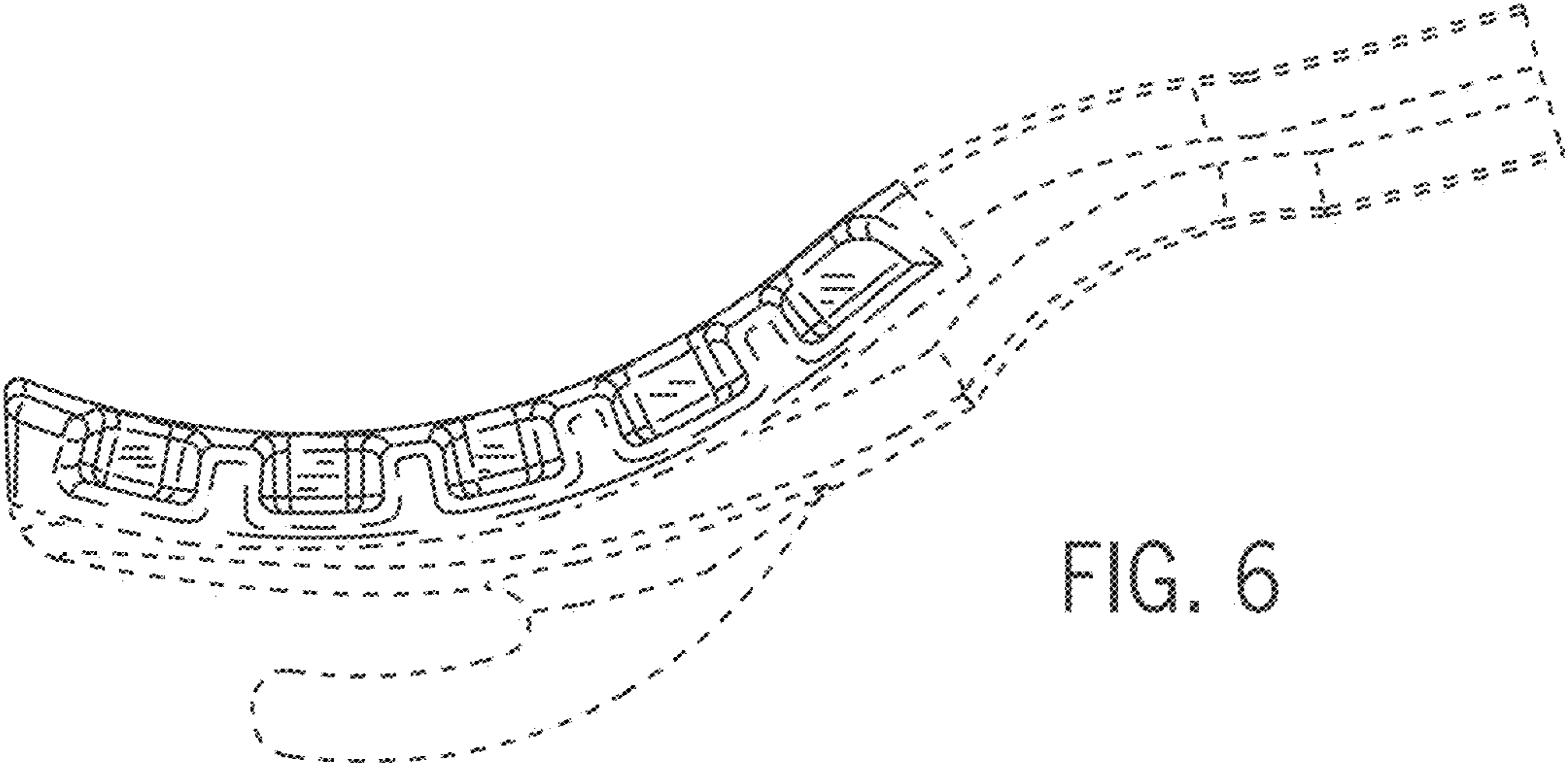


FIG. 6

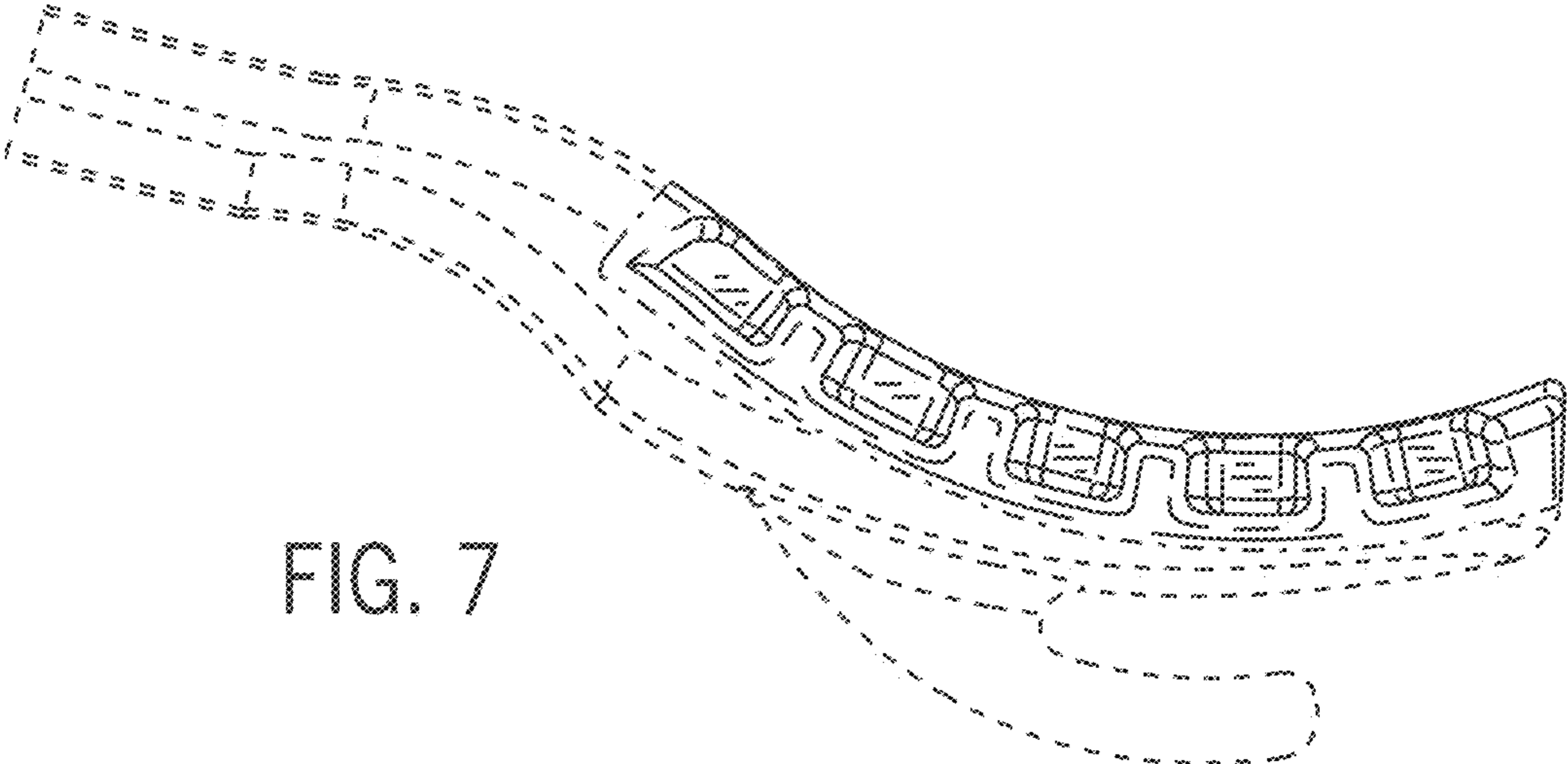


FIG. 7

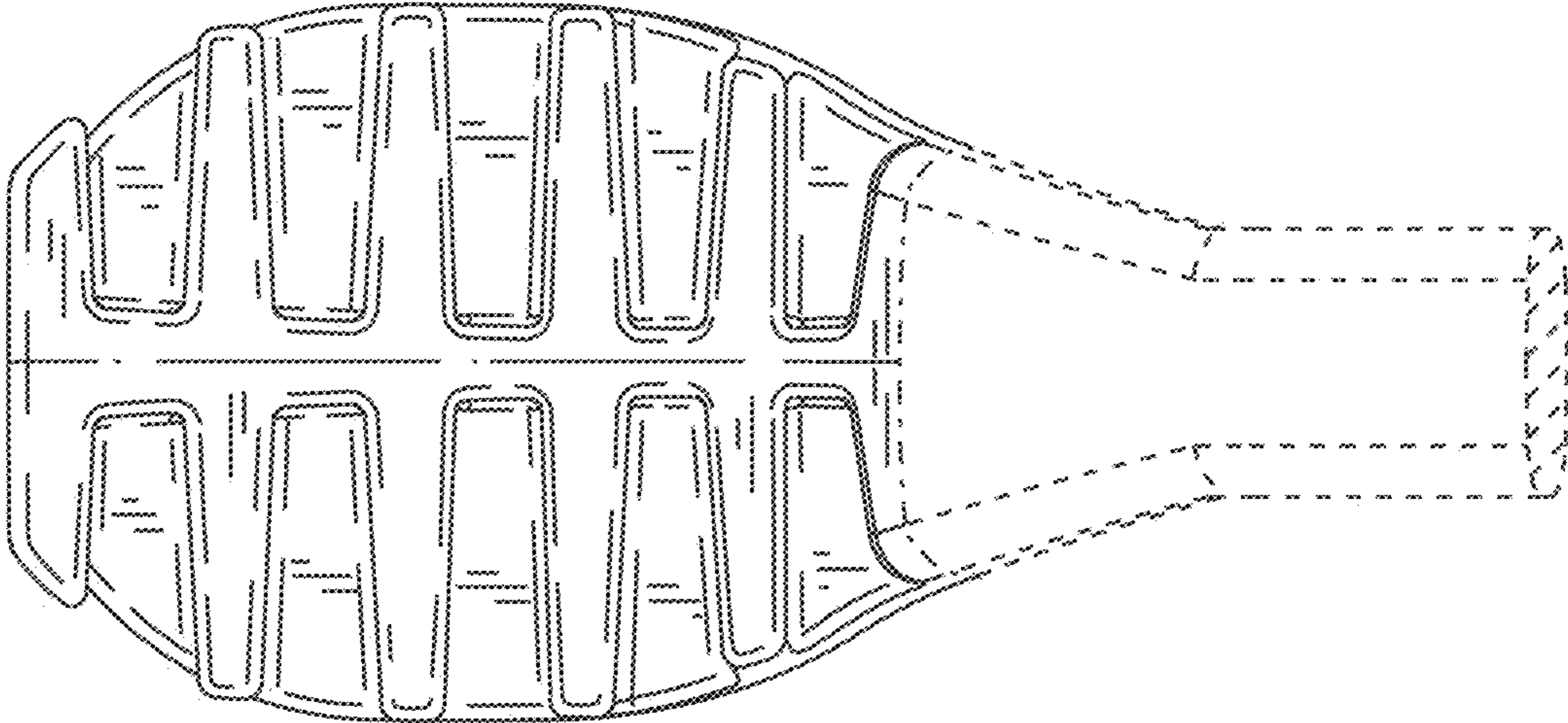


FIG. 8

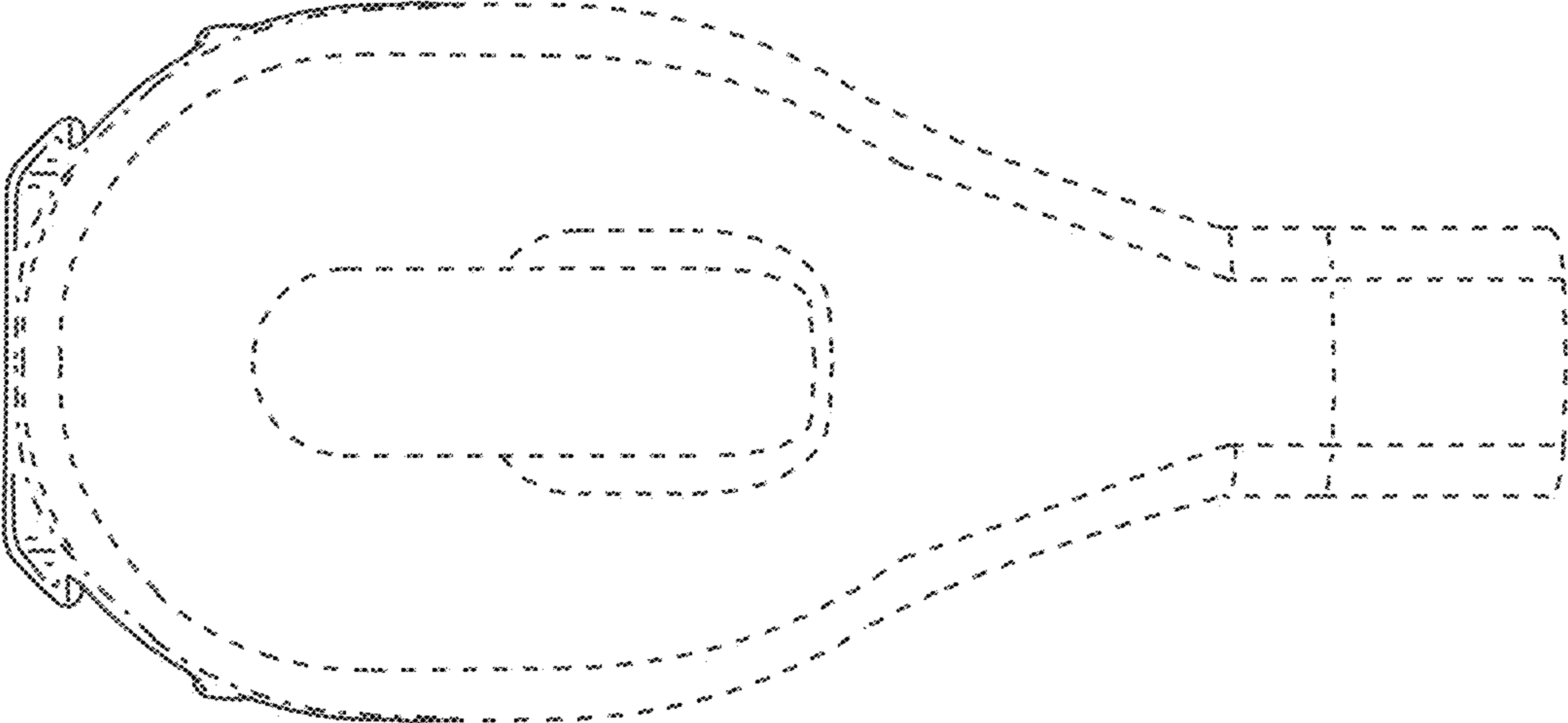


FIG. 9

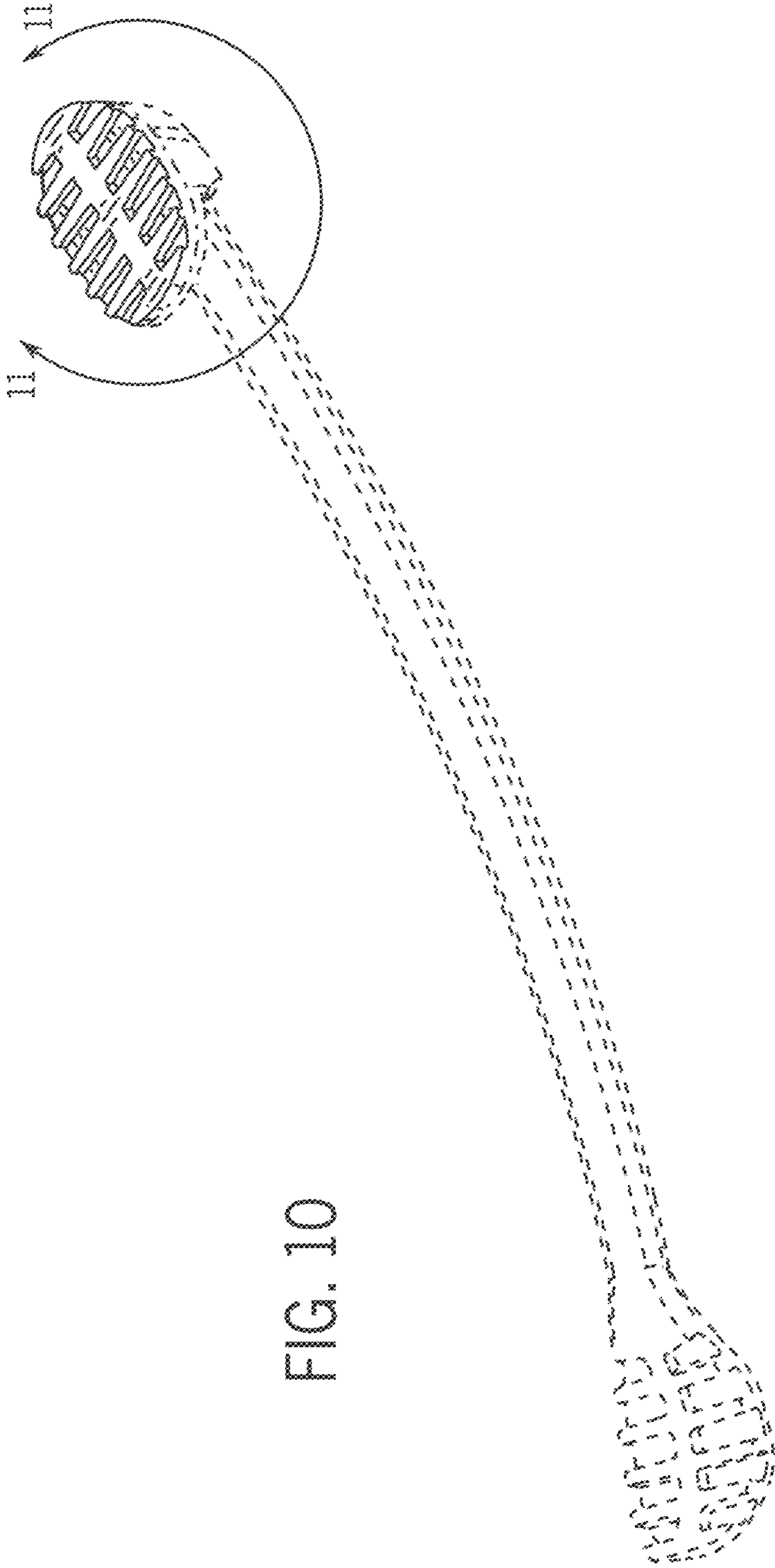


FIG. 10

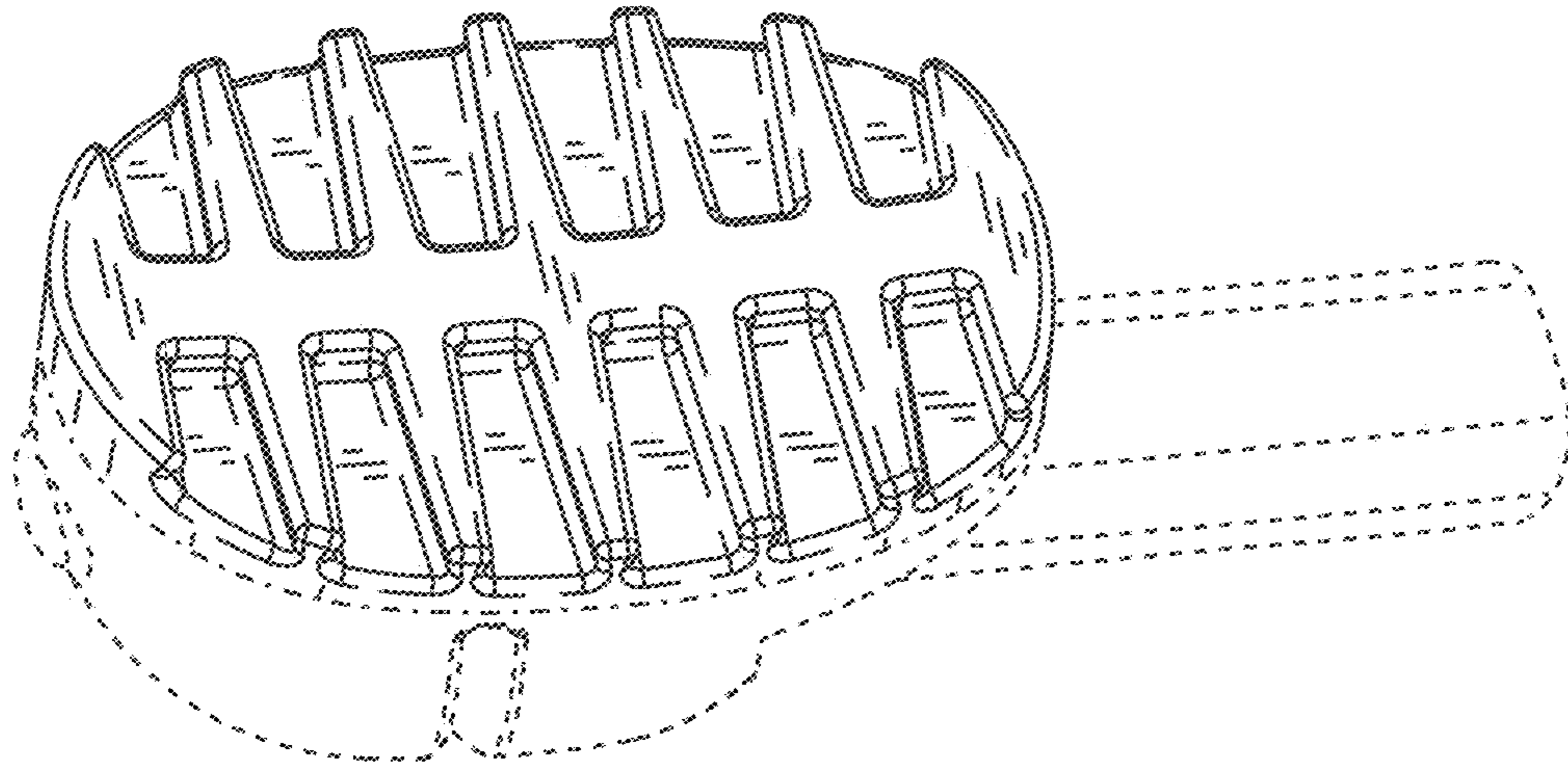


FIG. 11

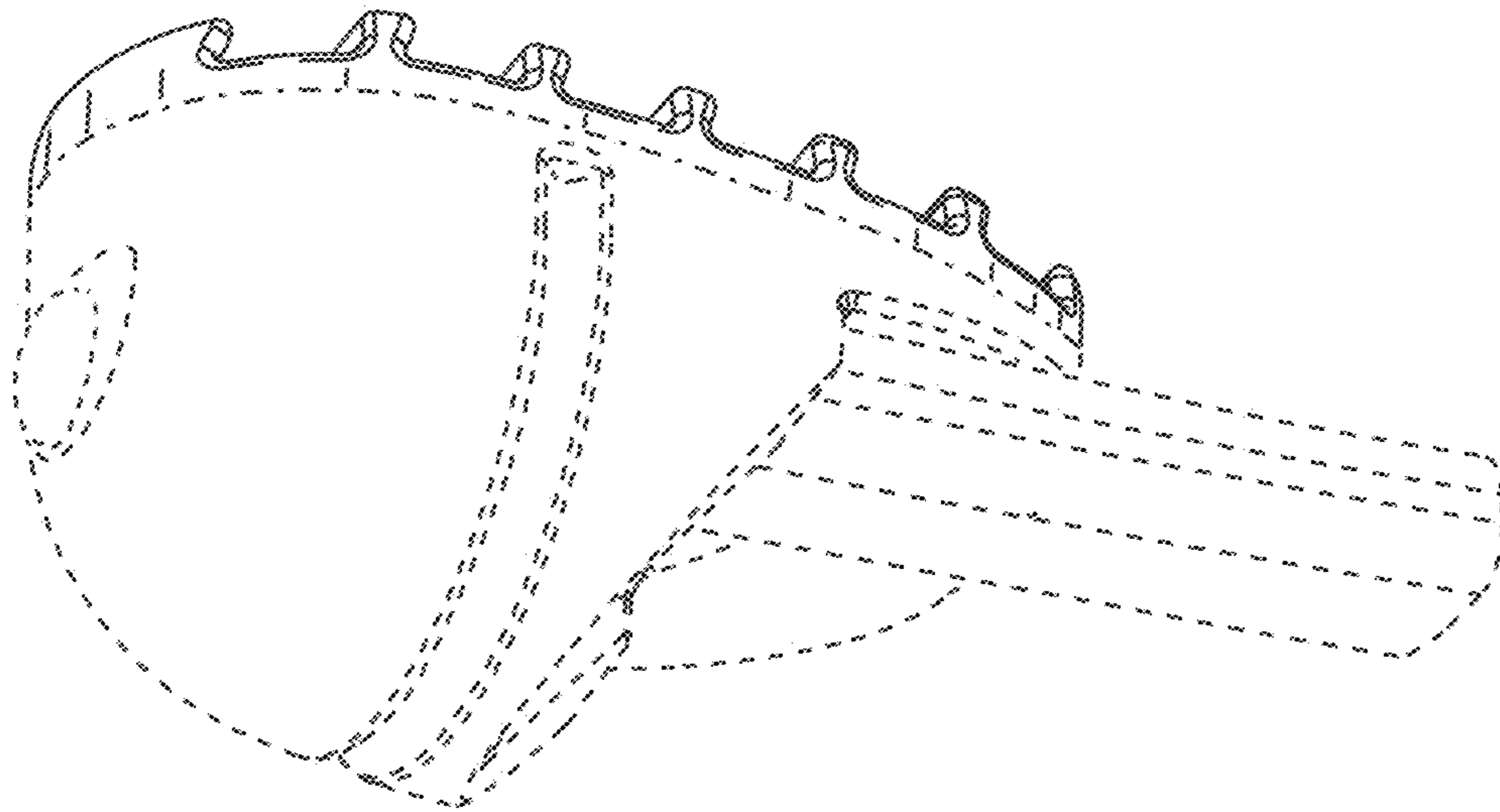


FIG. 12

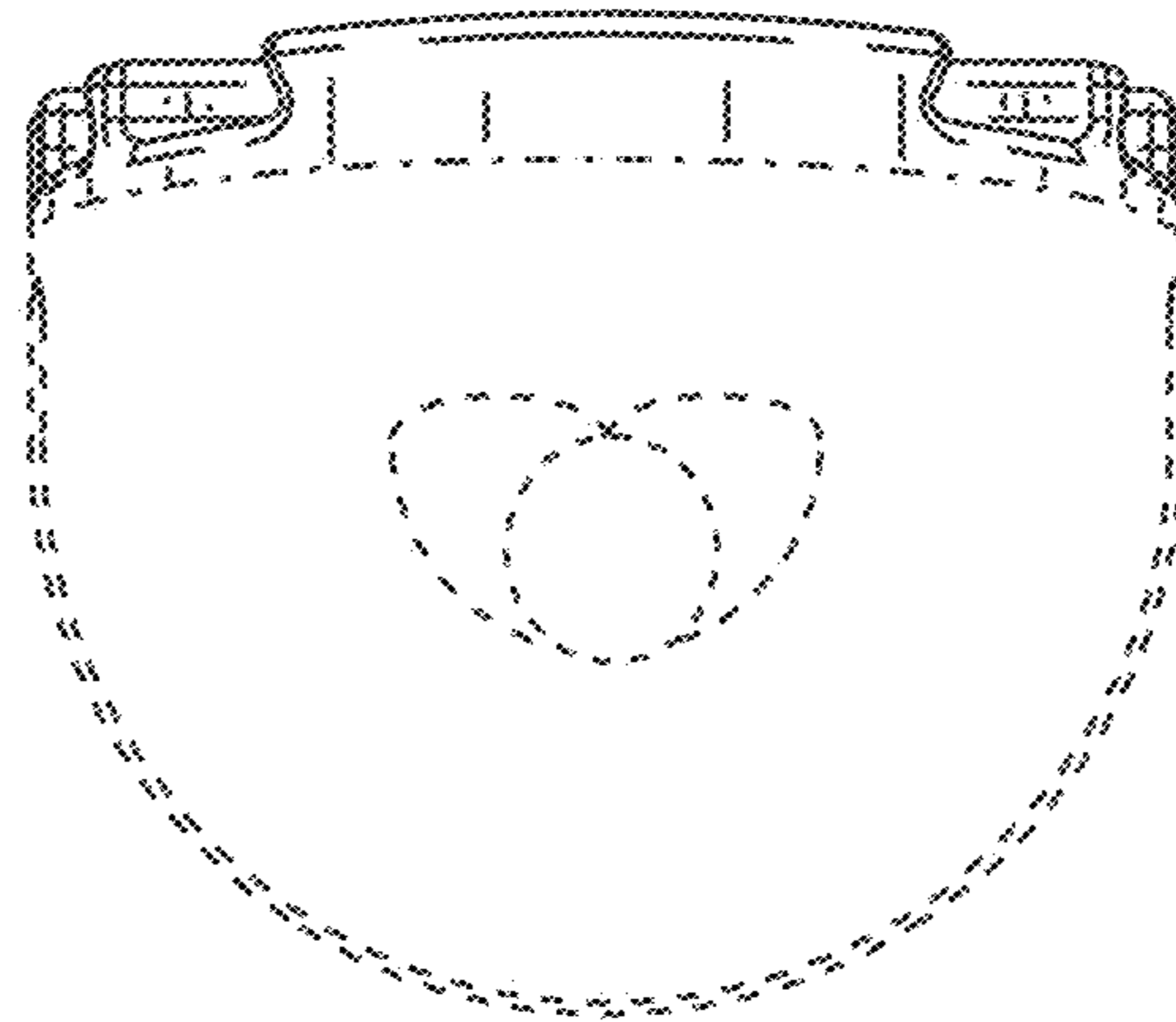


FIG. 13

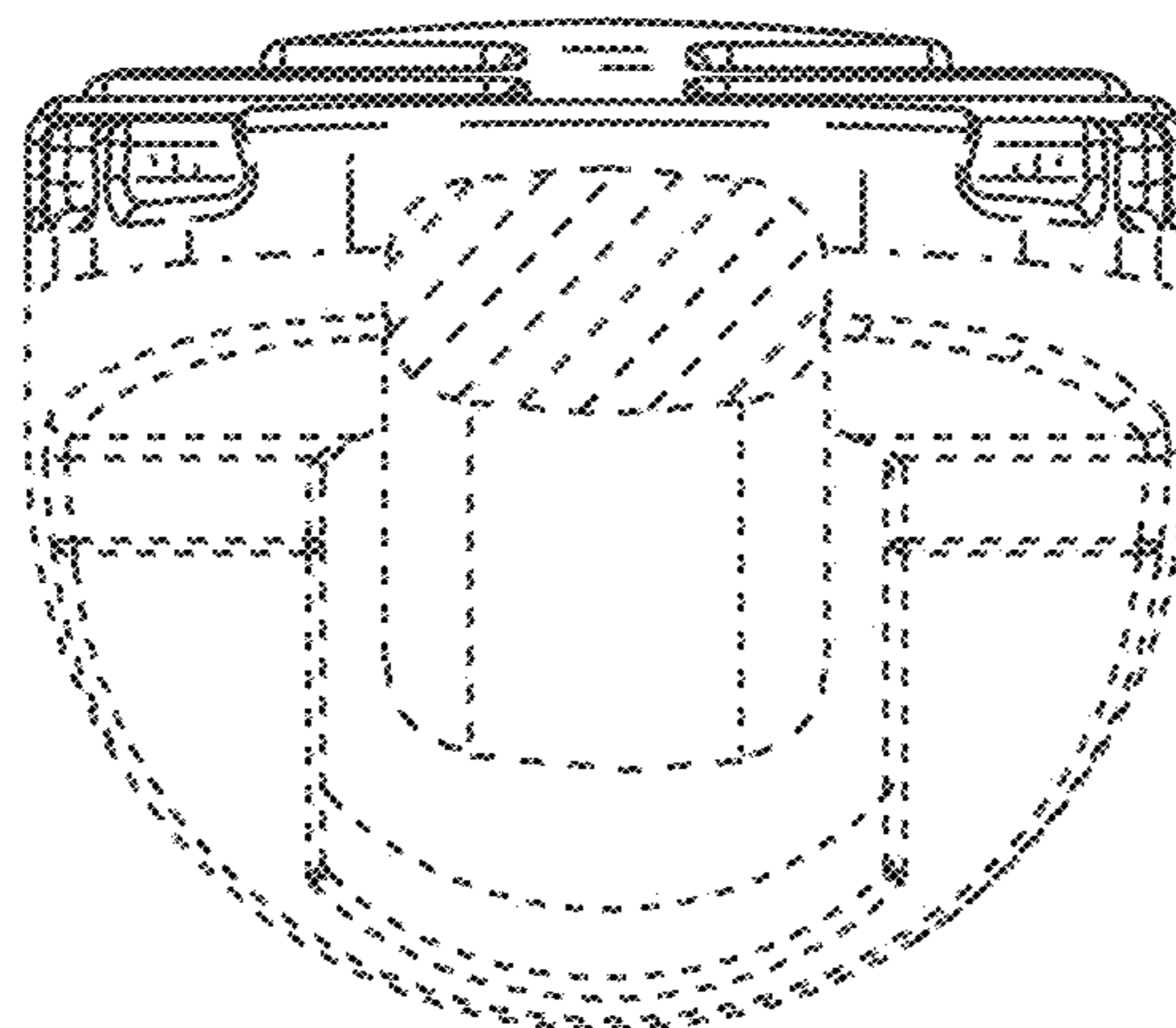


FIG. 14

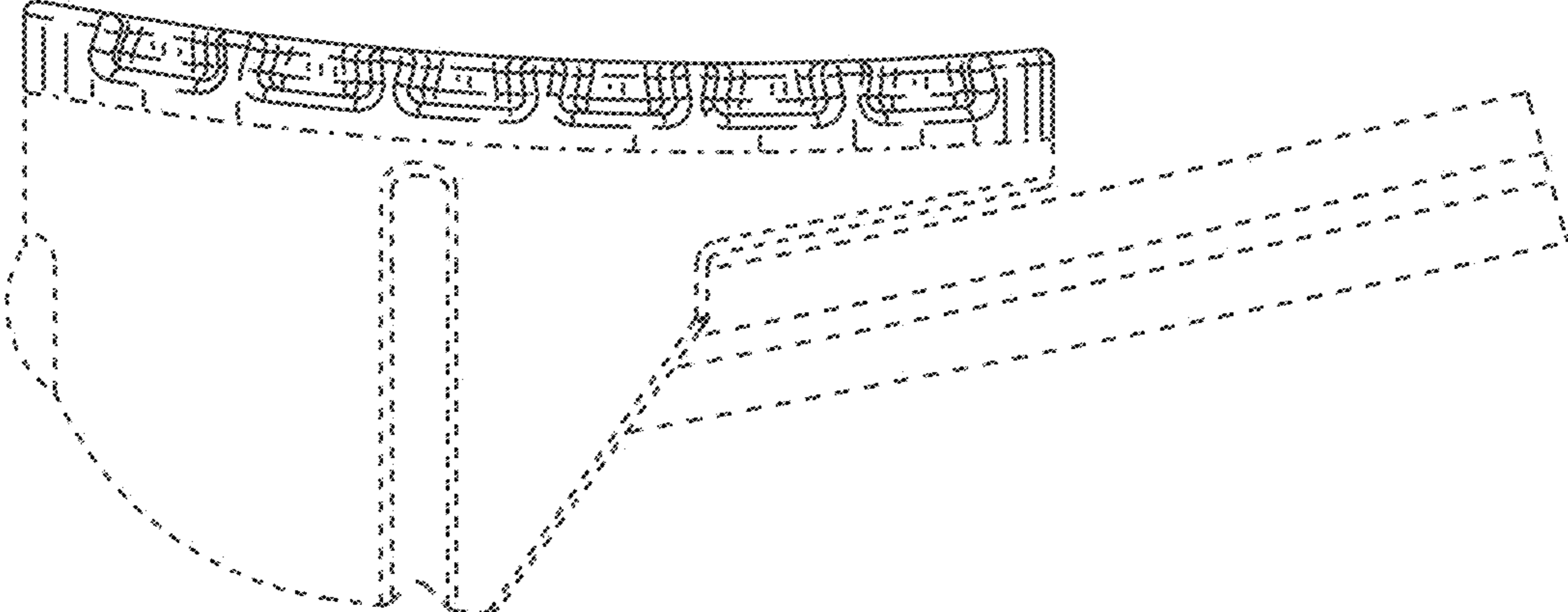


FIG. 15

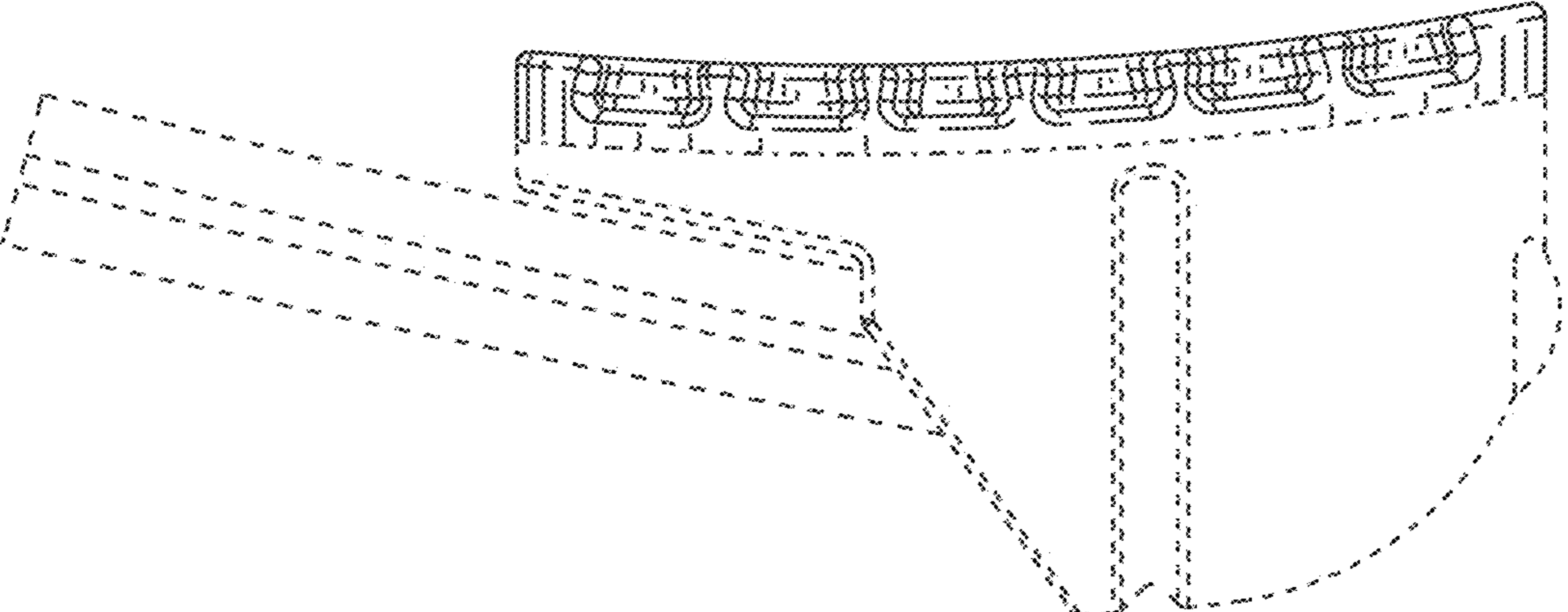


FIG. 16

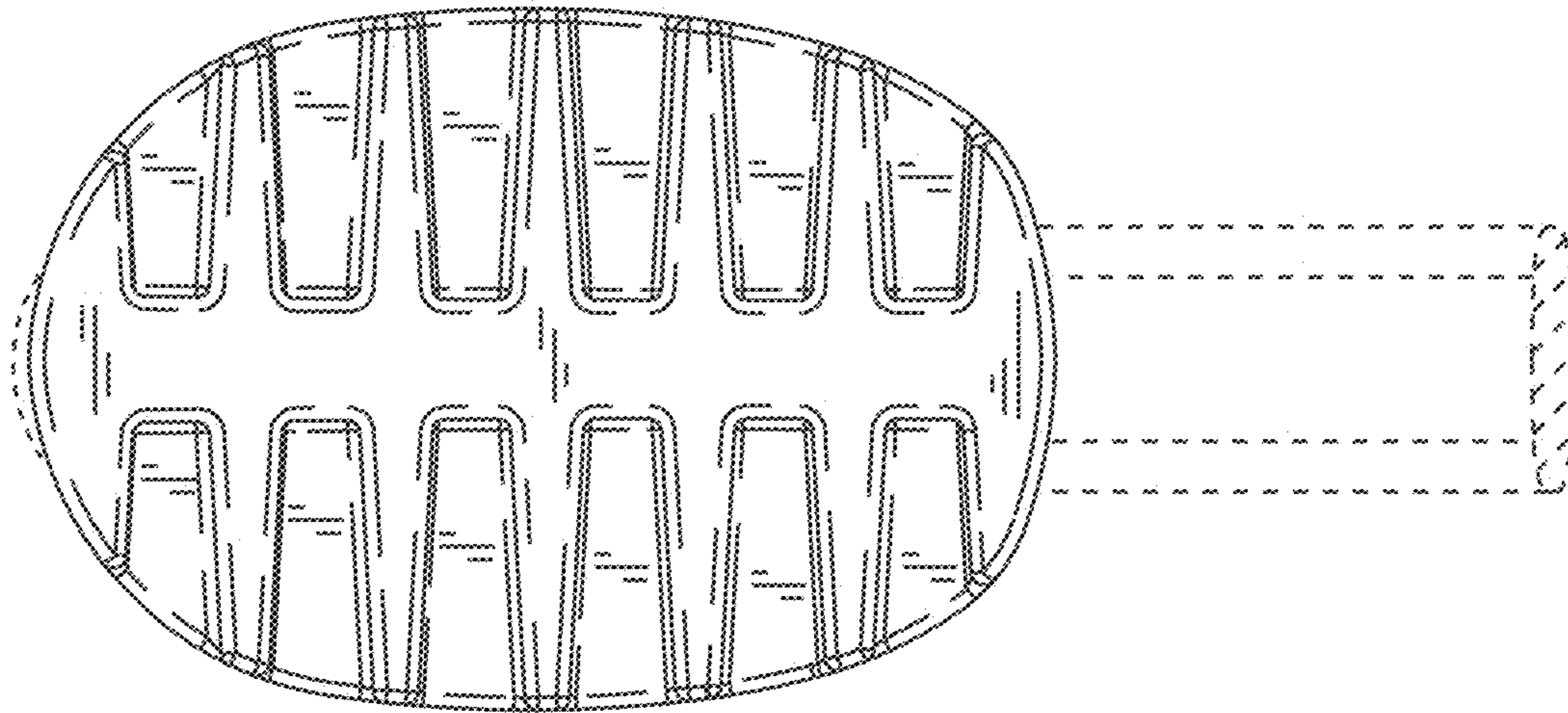


FIG. 17

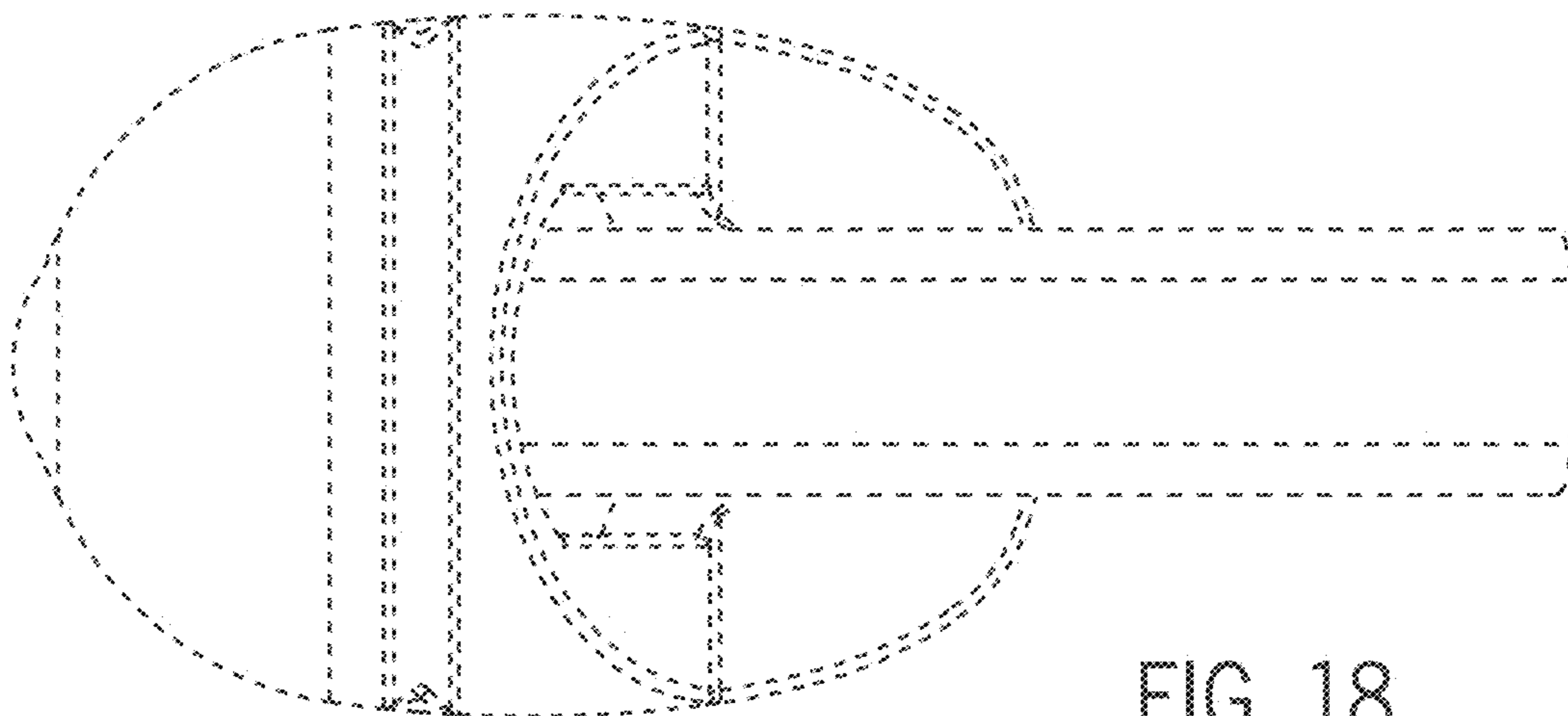


FIG. 18