



US0D1022216S

(12) **United States Design Patent**  
**Chaloupka et al.**

(10) **Patent No.:** **US D1,022,216 S**

(45) **Date of Patent:** **\*\* Apr. 9, 2024**

- (54) **ORTHODONTIC BONDING PAD**
- (71) Applicant: **American Orthodontics Corporation**,  
Sheboygan, WI (US)
- (72) Inventors: **Amie Chaloupka**, Sheboygan, WI  
(US); **Eric W. Nimmer**, Plymouth, WI  
(US); **Lindy Couwenhoven**, Grafton,  
WI (US)
- (73) Assignee: **American Orthodontics Corporation**,  
Sheboygan, WI (US)
- (\*\*) Term: **15 Years**
- (21) Appl. No.: **29/845,568**
- (22) Filed: **Jul. 8, 2022**
- (51) **LOC (14) Cl.** ..... **24-02**
- (52) **U.S. Cl.**  
USPC ..... **D24/180**
- (58) **Field of Classification Search**  
USPC ..... D24/176, 177, 178, 180, 181, 182  
CPC .... A61C 7/12; A61C 7/16; A61C 7/14; A61C  
7/146; A61C 7/145; A61C 7/141; A61C  
7/143; A61C 7/287  
See application file for complete search history.

(56) **References Cited**

**U.S. PATENT DOCUMENTS**

4,483,674 A	11/1984	Schutz	
4,604,057 A *	8/1986	Viglietti	A61C 7/16 433/9
D290,040 S *	5/1987	Kelly	D24/180
5,295,823 A *	3/1994	Farzin-Nia	A61C 7/16 433/9
5,299,935 A	4/1994	Lokar	
5,302,121 A	4/1994	Gagin	
D373,638 S	9/1996	Colbert	
5,622,494 A *	4/1997	Andreiko	A61C 7/141 433/9

D383,844 S *	9/1997	Kelly	D24/180
5,829,972 A *	11/1998	Farzin-Nia	A61C 7/16 433/8
5,873,715 A	2/1999	Liou	
6,053,729 A *	4/2000	Brehm	A61C 7/14 433/17
6,190,165 B1 *	2/2001	Andreiko	A61C 7/16 433/9
6,976,839 B2	12/2005	Lluch	
7,140,875 B2	11/2006	Lai et al.	

(Continued)

**FOREIGN PATENT DOCUMENTS**

EP	0931518 A1	7/1999
WO	2003028575 A2	4/2003
WO	2009094685 A1	8/2009

*Primary Examiner* — Wan Laymon

(74) *Attorney, Agent, or Firm* — Andrus Intellectual  
Property Law, LLP

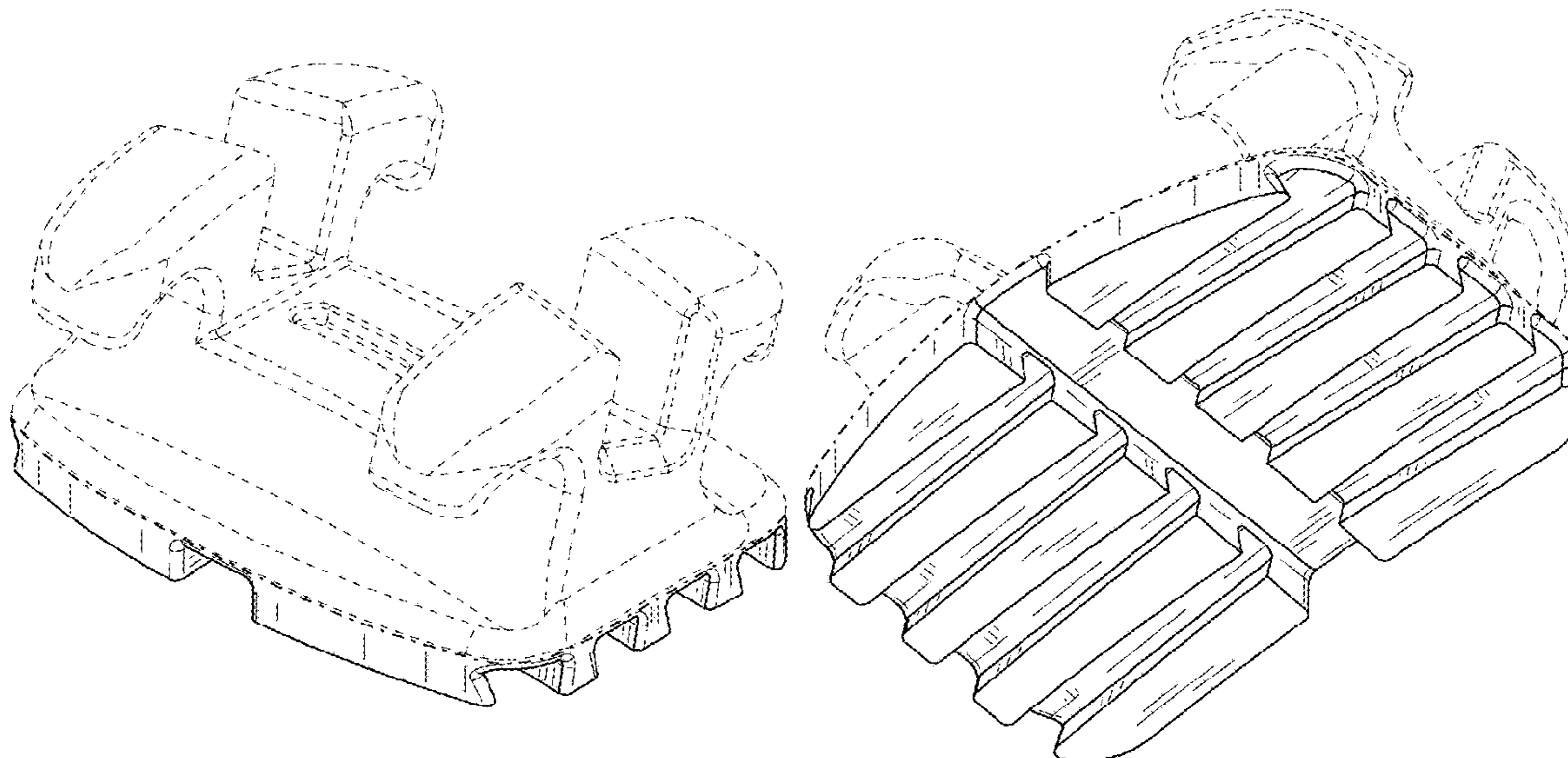
(57) **CLAIM**

The ornamental design for an orthodontic bonding pad, as  
shown and described.

**DESCRIPTION**

FIG. 1 is a rear perspective view of an orthodontic bonding pad;  
FIG. 2 is a front perspective view thereof;  
FIG. 3 is a right side view thereof;  
FIG. 4 is a left side view thereof;  
FIG. 5 is a top view thereof;  
FIG. 6 is a bottom view thereof;  
FIG. 7 is a rear view thereof; and,  
FIG. 8 is a front view thereof.  
The broken lines immediately adjacent the shaded areas  
represent the bounds of the claimed design while all other  
broken lines are directed to environment and are for illus-  
trative purposes only; the broken lines form no part of the  
claimed design.

**1 Claim, 4 Drawing Sheets**



(56)

**References Cited**

U.S. PATENT DOCUMENTS

7,214,057	B2 *	5/2007	Voudouris .....	A61C 7/287 433/11
7,238,022	B2	7/2007	Lluch	
7,618,257	B2	11/2009	Lluch	
8,636,507	B2	1/2014	Voudouris	
D754,352	S	4/2016	Faust et al.	
9,468,505	B2	10/2016	Sommer et al.	
9,549,789	B2 *	1/2017	Choi .....	A61C 7/14
9,687,318	B2	6/2017	Lluch et al.	
D797,294	S	9/2017	Sommer et al.	
10,080,628	B2	9/2018	Sommer et al.	
D944,993	S	3/2022	Nimmer et al.	
2003/0064343	A1 *	4/2003	Devanathan .....	A61C 7/16 433/17
2006/0204918	A1 *	9/2006	Voudouris .....	A61C 7/287 433/14
2007/0166658	A1	7/2007	Voudouris	
2008/0160474	A1	7/2008	Wolf et al.	
2009/0325117	A1 *	12/2009	Cervera Sabater .....	A61C 7/14 264/16
2011/0076633	A1	3/2011	Bryant et al.	
2011/0189623	A1	8/2011	Moon et al.	
2015/0037747	A1 *	2/2015	Choi .....	A61C 7/14 29/896.11

\* cited by examiner

FIG. 1

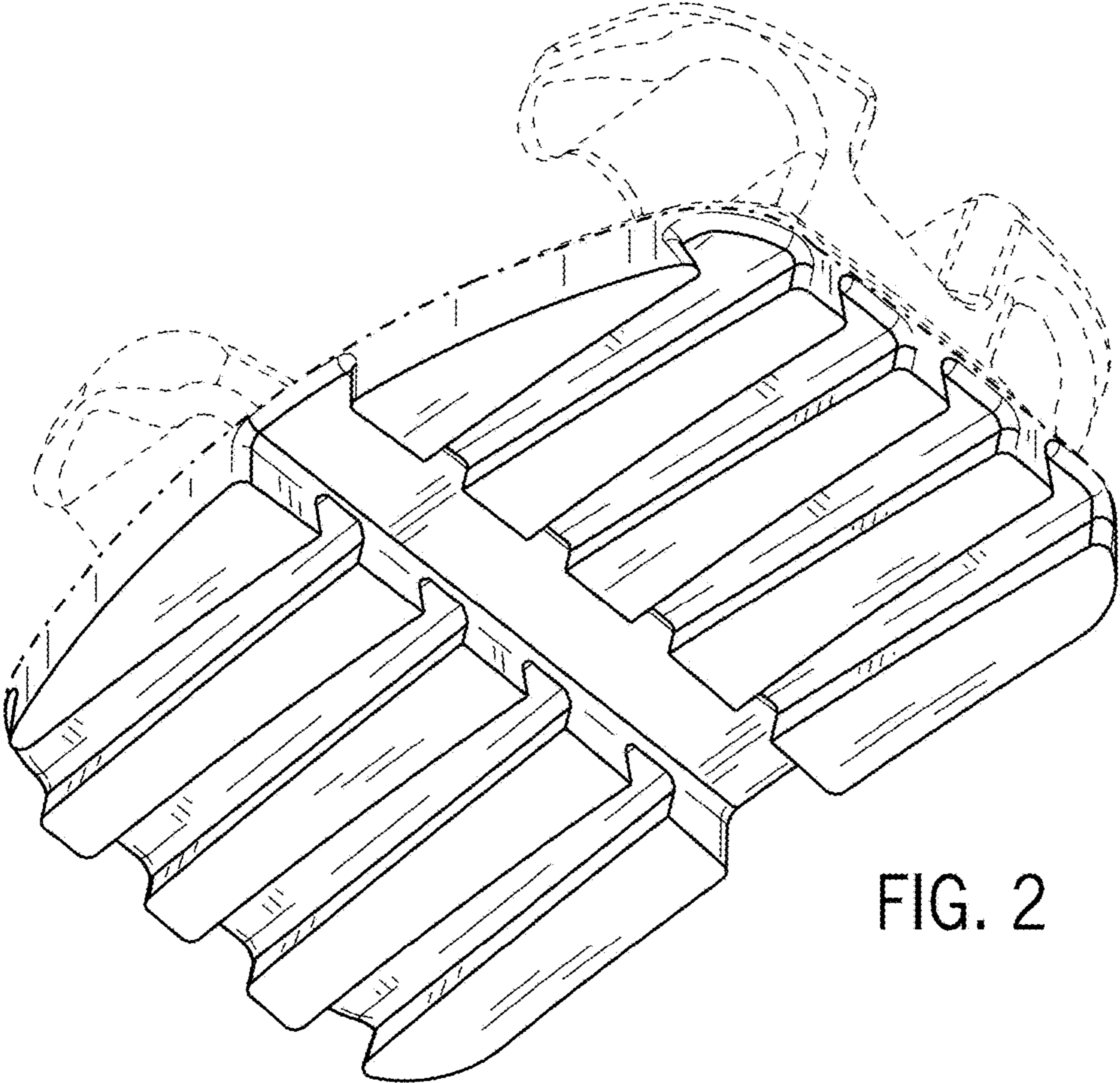
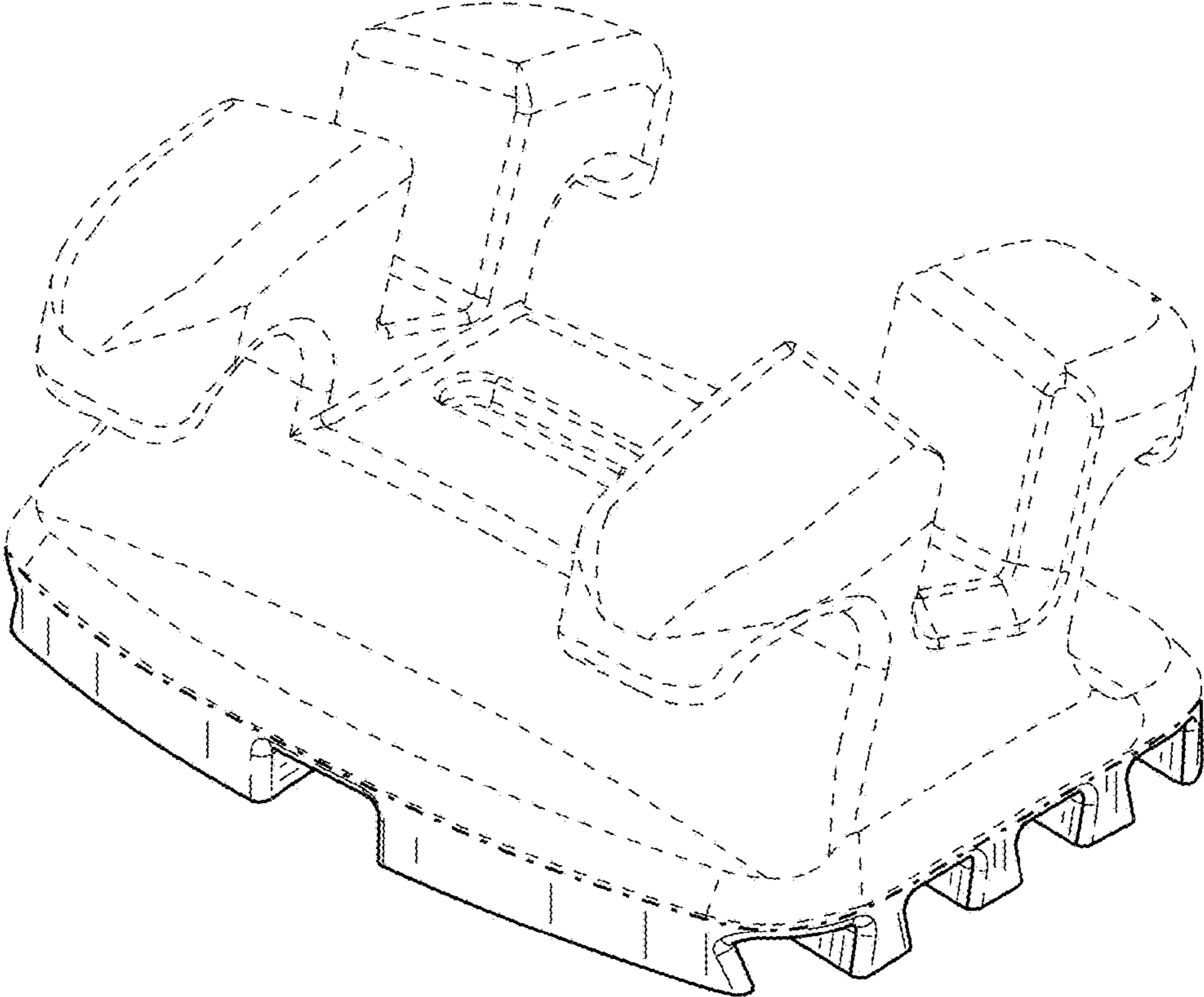


FIG. 2

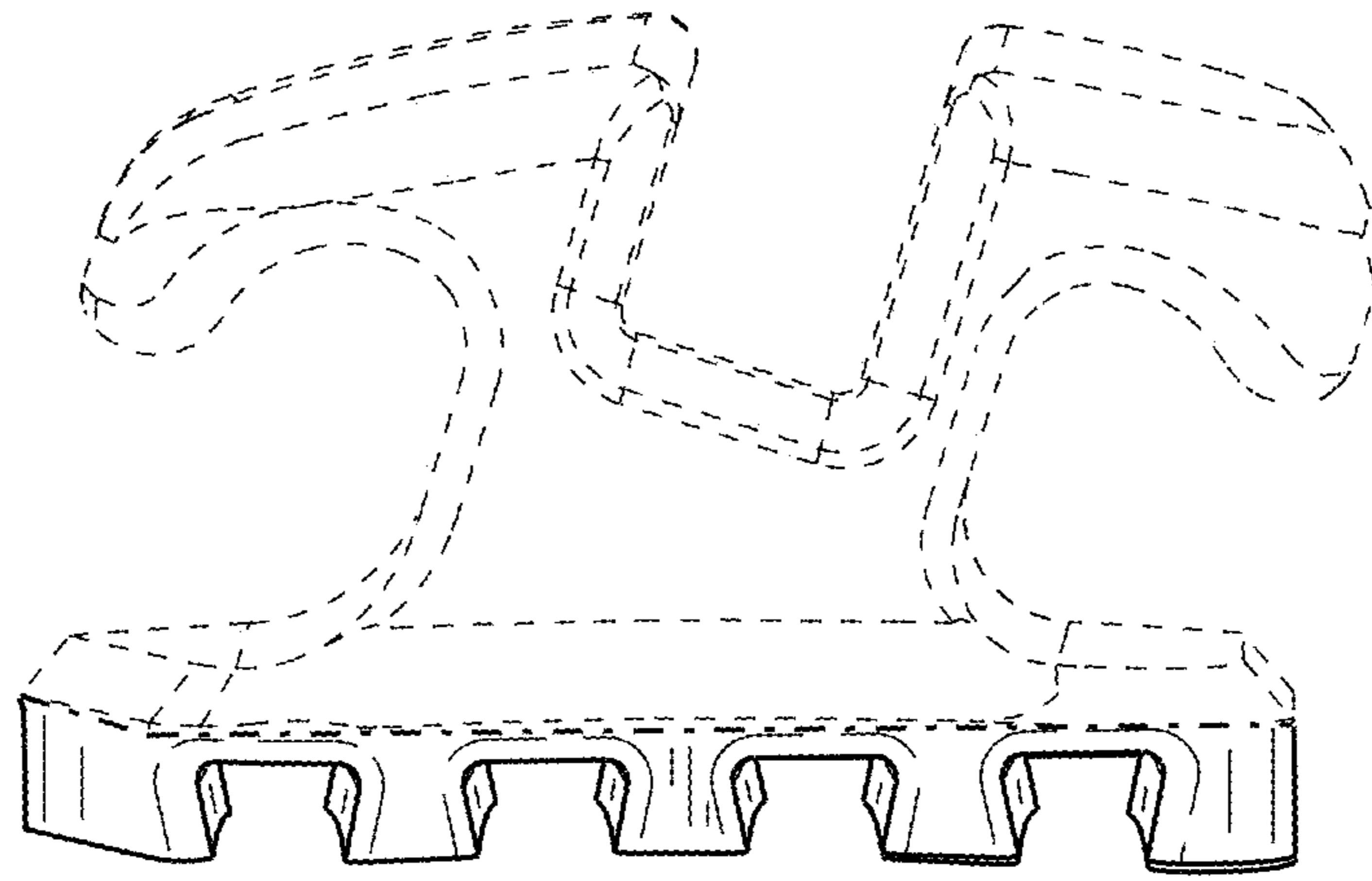


FIG. 3

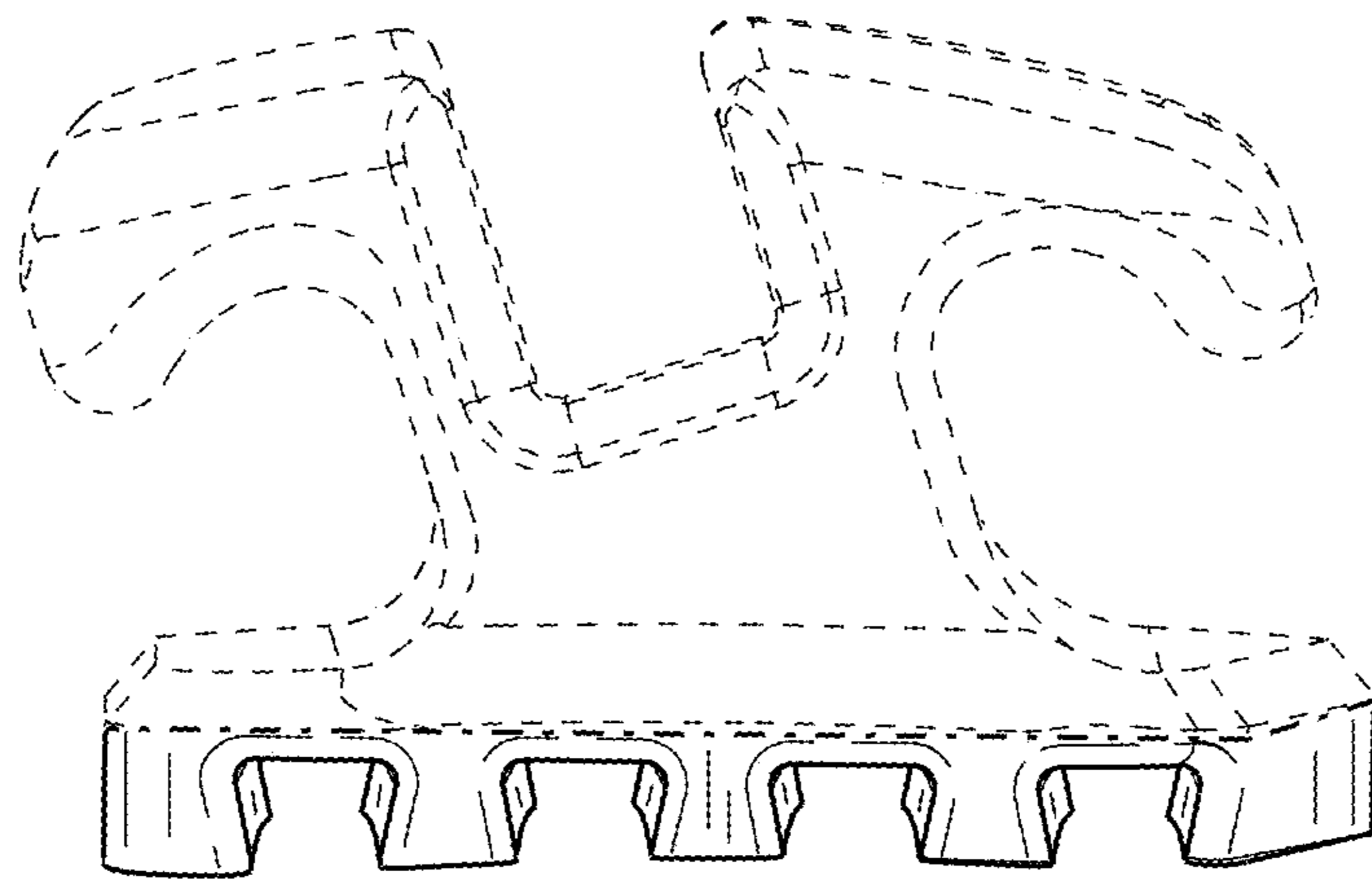


FIG. 4

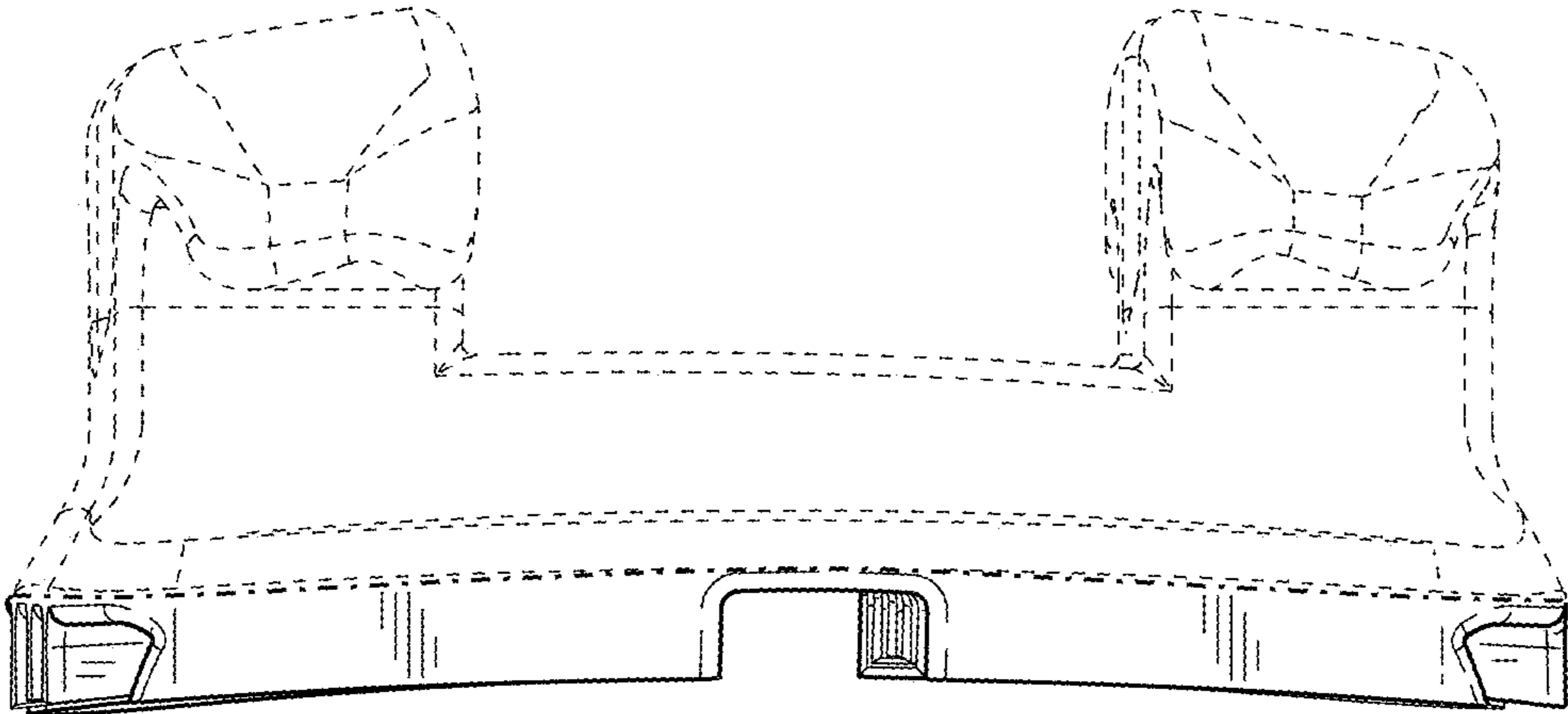


FIG. 5

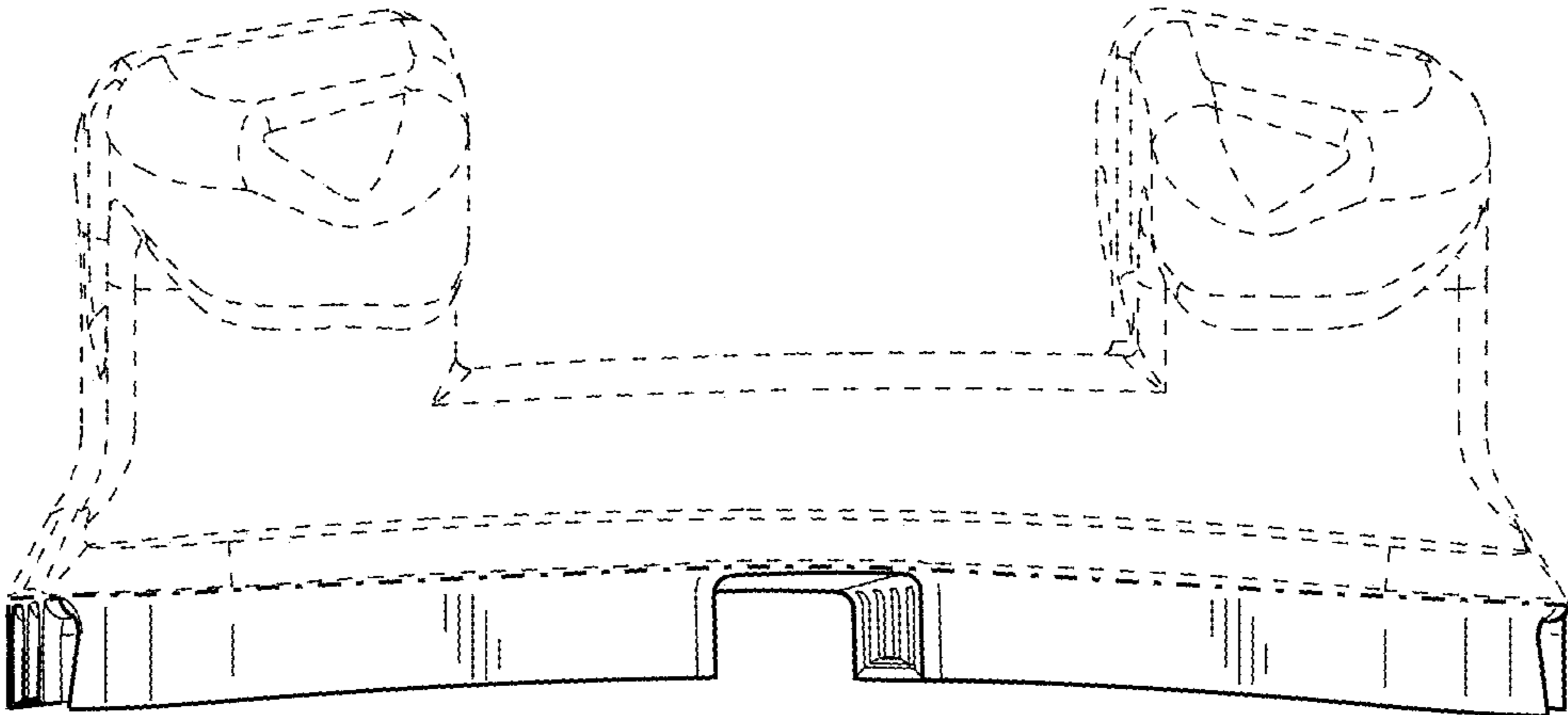


FIG. 6

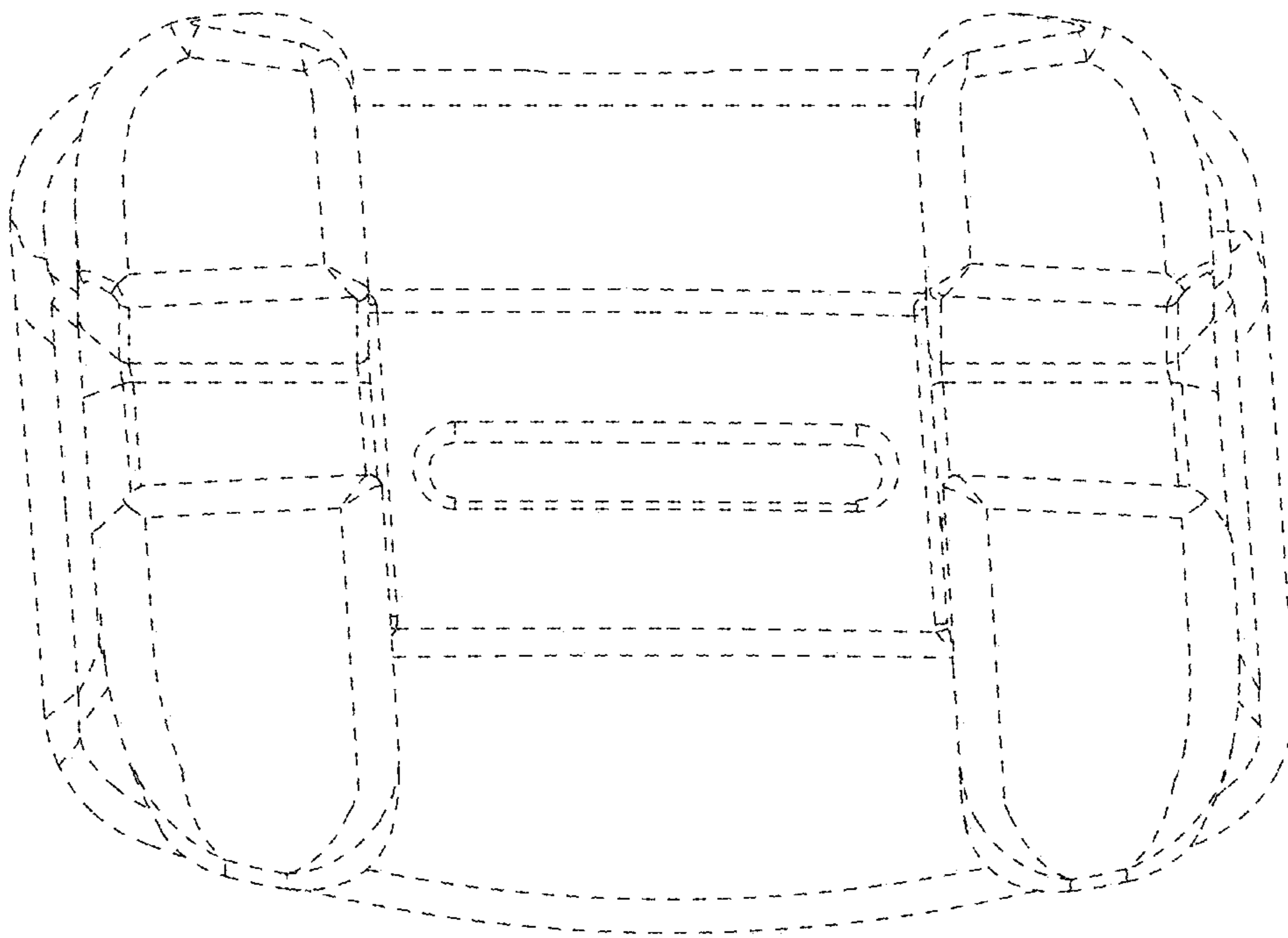


FIG. 7

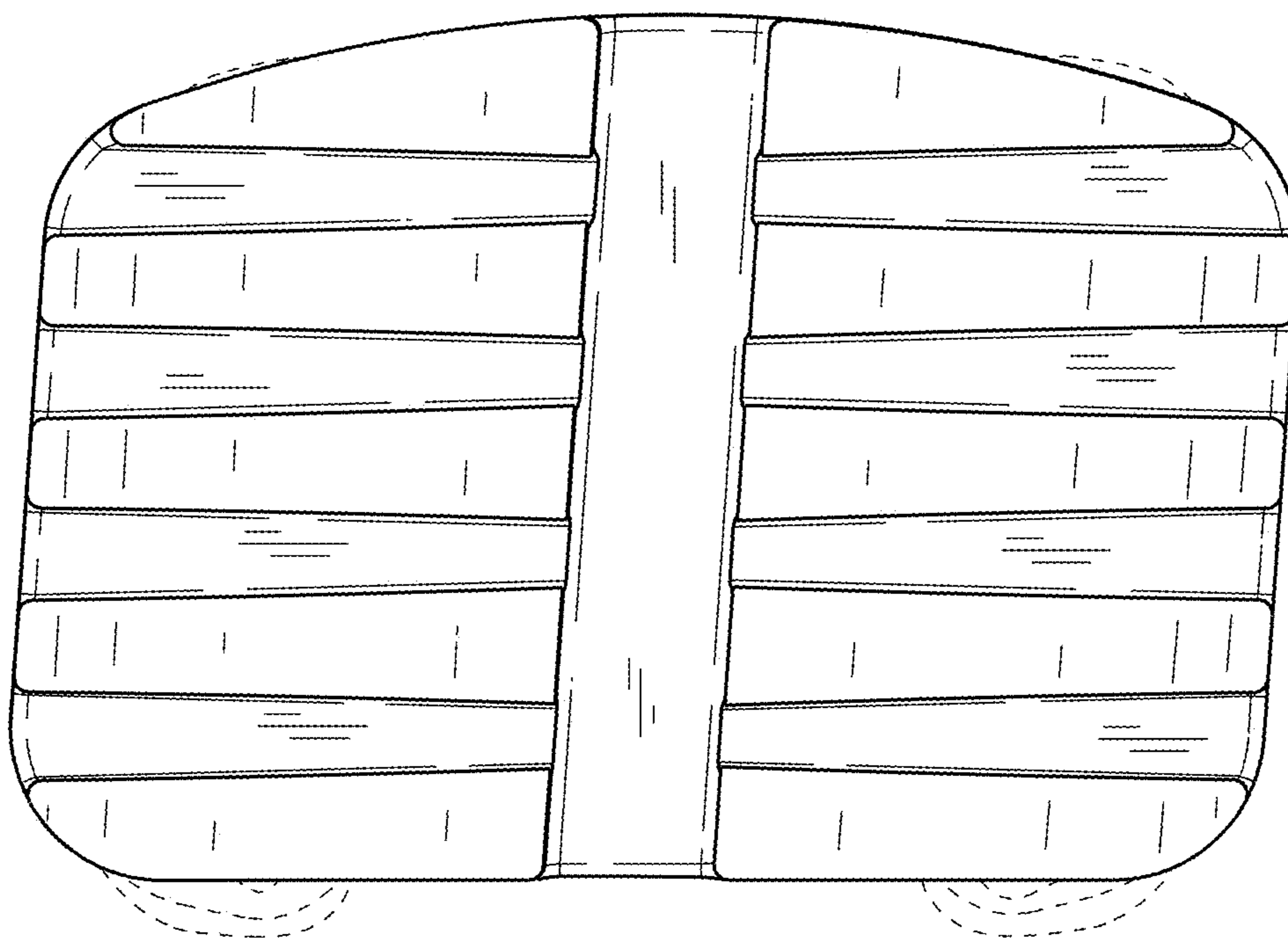


FIG. 8