



US0D1022158S

(12) **United States Design Patent**
Quaye et al.

(10) **Patent No.: US D1,022,158 S**

(45) **Date of Patent: ** Apr. 9, 2024**

(54) **SHOWER ARM**

(71) Applicants: **Roland Quaye**, Fredericksburg, VA (US); **Christa Quaye**, Fredericksburg, VA (US)

(72) Inventors: **Roland Quaye**, Fredericksburg, VA (US); **Christa Quaye**, Fredericksburg, VA (US)

(**) Term: **15 Years**

(21) Appl. No.: **29/839,017**

(22) Filed: **May 17, 2022**

(51) **LOC (14) Cl.** **23-01**

(52) **U.S. Cl.**
USPC **D23/263**

(58) **Field of Classification Search**
USPC D23/213, 263, 283, 304
CPC B05B 1/185; B05B 15/652; B05B 15/65;
B05B 1/3026; B05B 12/002; C23C
16/45565
See application file for complete search history.

(56) **References Cited**

U.S. PATENT DOCUMENTS

1,505,208	A *	8/1924	Larner	F16L 41/023 285/133.11
5,007,664	A *	4/1991	Mann	B23K 9/325 285/423
D347,271	S *	5/1994	Inda	D23/263
D435,637	S *	12/2000	Wales	D23/263
6,419,166	B1	7/2002	Brzezinski		
6,651,270	B1	11/2003	Porter		
D896,923	S *	9/2020	Maibach, Jr.	D23/213
D930,785	S *	9/2021	Hillyard	D23/207
2007/0119980	A1	5/2007	Somerfield		
2015/0096596	A1	4/2015	Dvorak		
2018/0009010	A1	1/2018	LaPorta		

OTHER PUBLICATIONS

ViaGasaFamido 7/8 Brass T Adapter Shower Head, 3 Way Tee Connector Shower Head Diverter Valve for Handheld Bidet Sprayer Faucet, available on Amazon.in, date first available Jul. 4, 2020 [online], [site visited Nov. 14, 2023], Available from the internet URL: <https://www.amazon.in/ViaGasaFamido-Adapter-Connector-Diverter-Handheld/dp/B07TMRM8K2> (Year: 2020).*

(Continued)

Primary Examiner — Sharon S Oum

Assistant Examiner — Raylen E Worthington

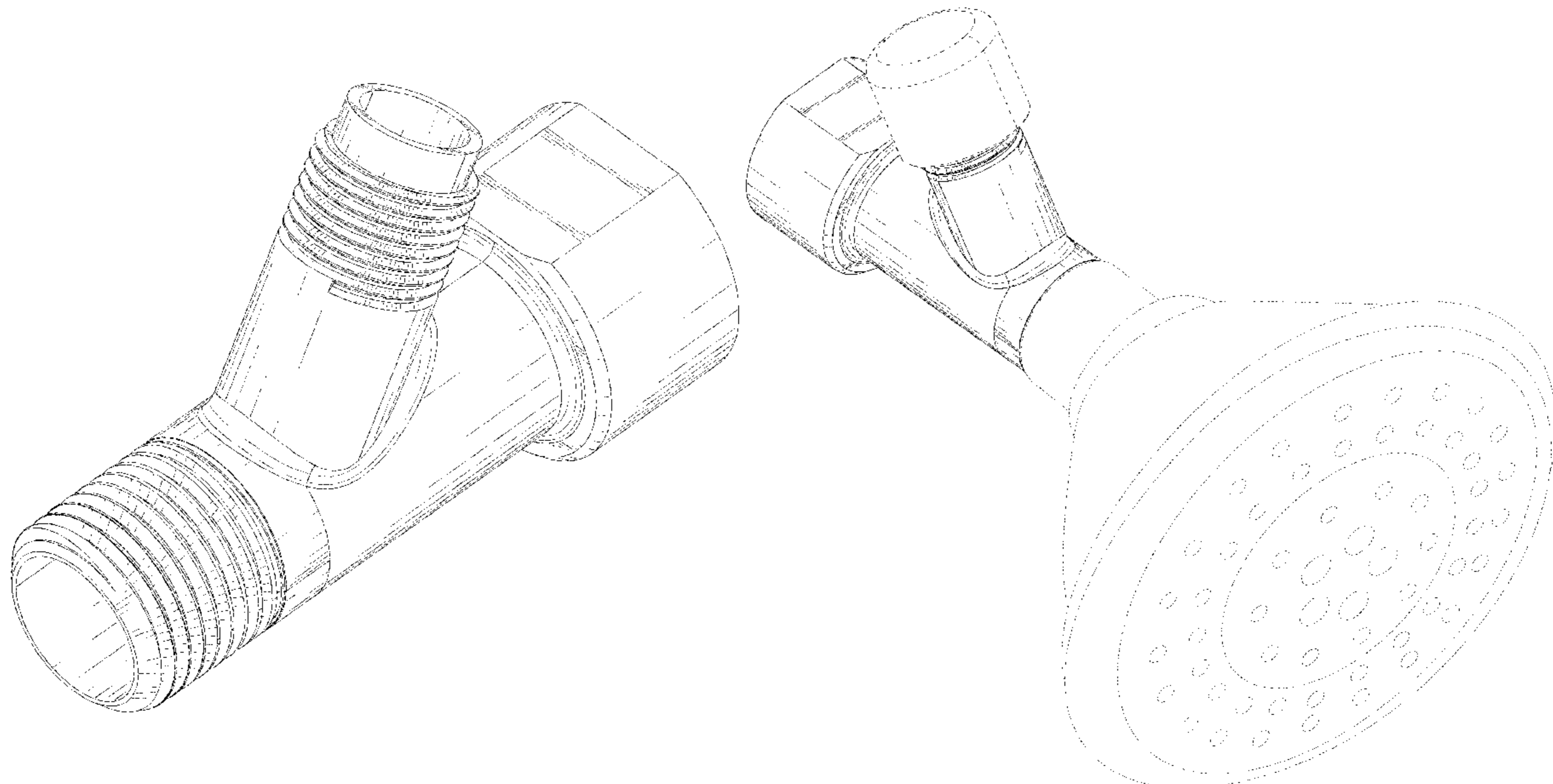
(57) **CLAIM**

The ornamental design for a shower arm, as shown and described.

DESCRIPTION

FIG. 1 is a front-top-left view of a shower arm showing our new design;
FIG. 2 is a front-bottom-right view thereof;
FIG. 3 is a front elevational view thereof;
FIG. 4 is a rear elevational view thereof;
FIG. 5 is a left elevational view thereof;
FIG. 6 is a right elevational view thereof;
FIG. 7 is a top plan view thereof;
FIG. 8 is a bottom plan view thereof;
FIG. 9 is a front-top-right perspective view thereof deployed with a cap;
FIG. 10 is a front-top-right perspective view thereof deployed with a cap and a showerhead; and,
FIG. 11 is a cross-section view thereof taken along line 11-11 in FIG. 4.
The broken lines showing a cap and a showerhead in FIGS. 9 and 10 respectively are included for the purpose of showing environmental structure and form no part of the claimed design.

1 Claim, 11 Drawing Sheets



(56)

References Cited

OTHER PUBLICATIONS

McKesson Diverter Valve for Handheld Shower Head, Chrome Plated Finish, ½ in Threading, 1 Count, available on Amazon.com, date first available Mar. 17, 2021 [online], [site visited Nov. 13, 2023], Available from the internet URL: <https://www.amazon.com/McKesson-Diverter-Valve/dp/B08ZBGBS44?th=1> (Year: 2021).*

* cited by examiner

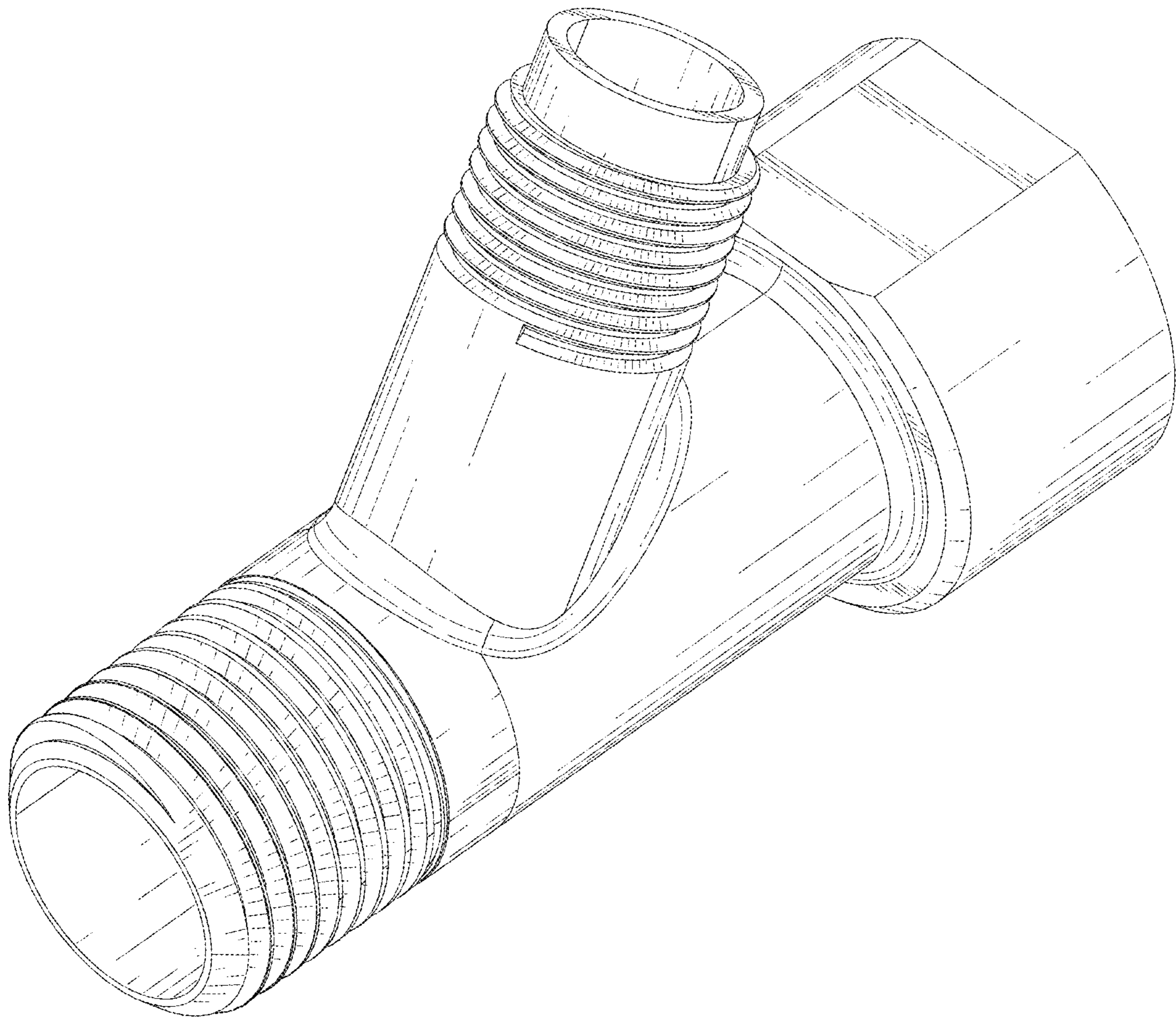


FIG. 1

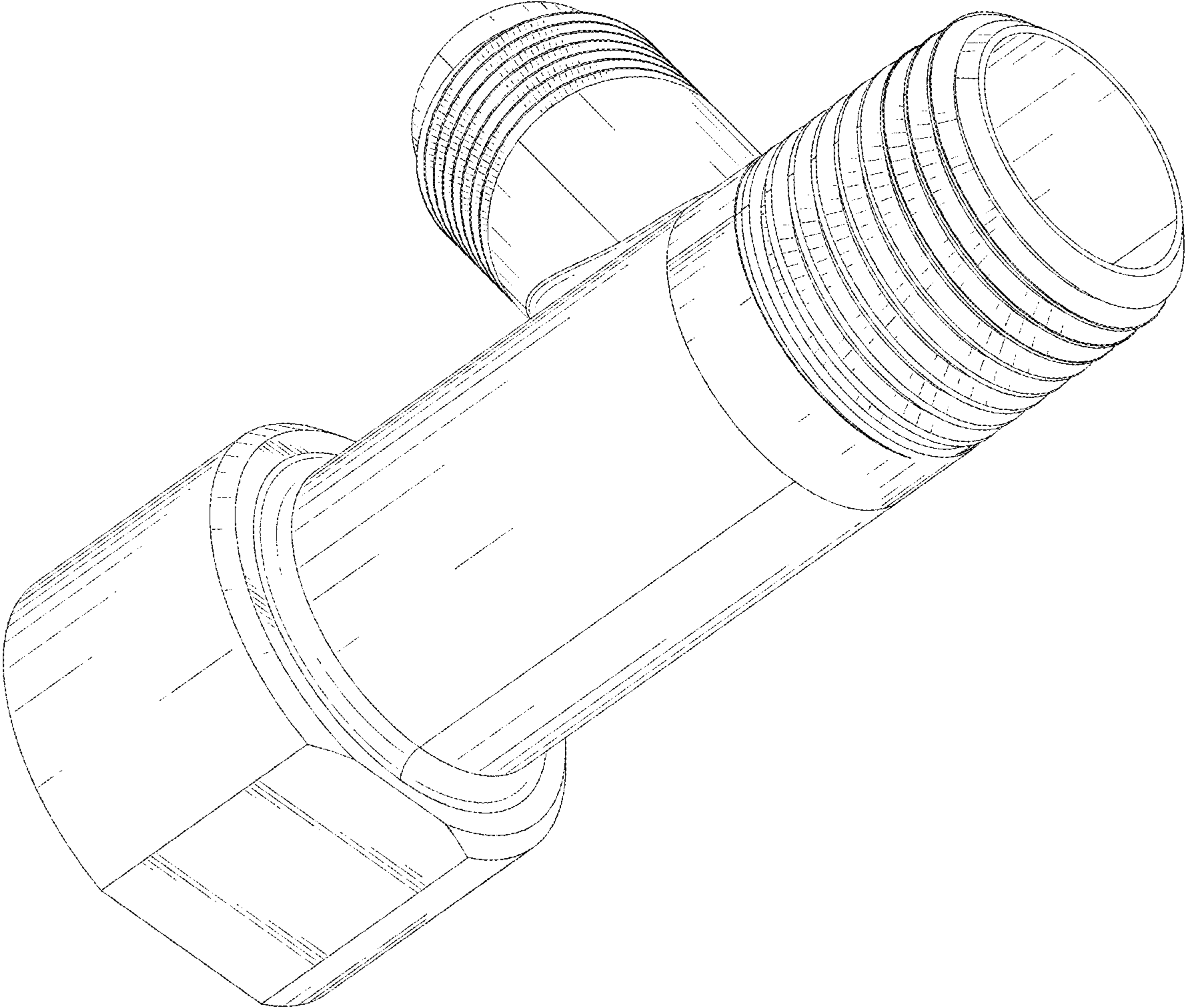


FIG. 2

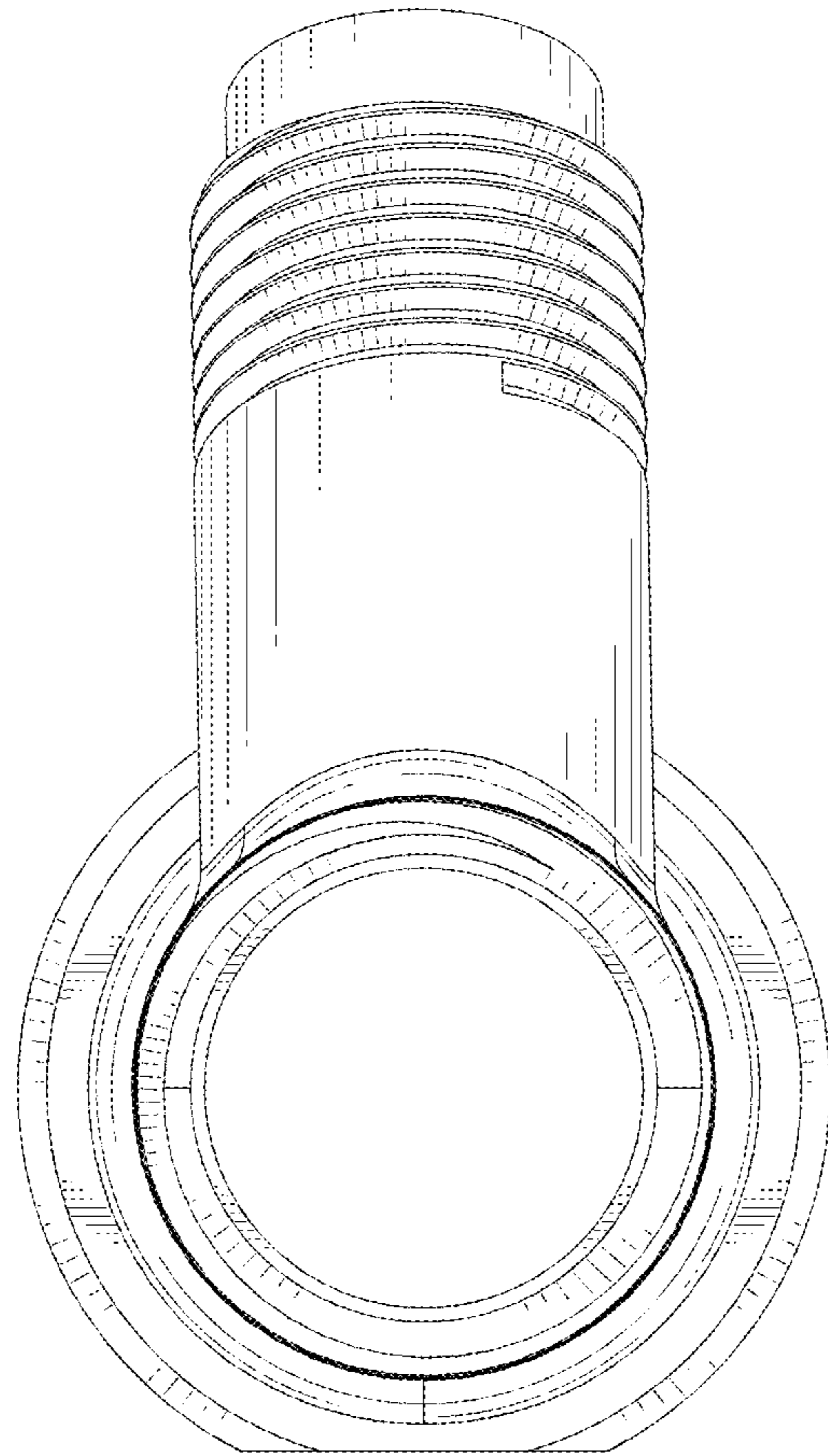


FIG. 3

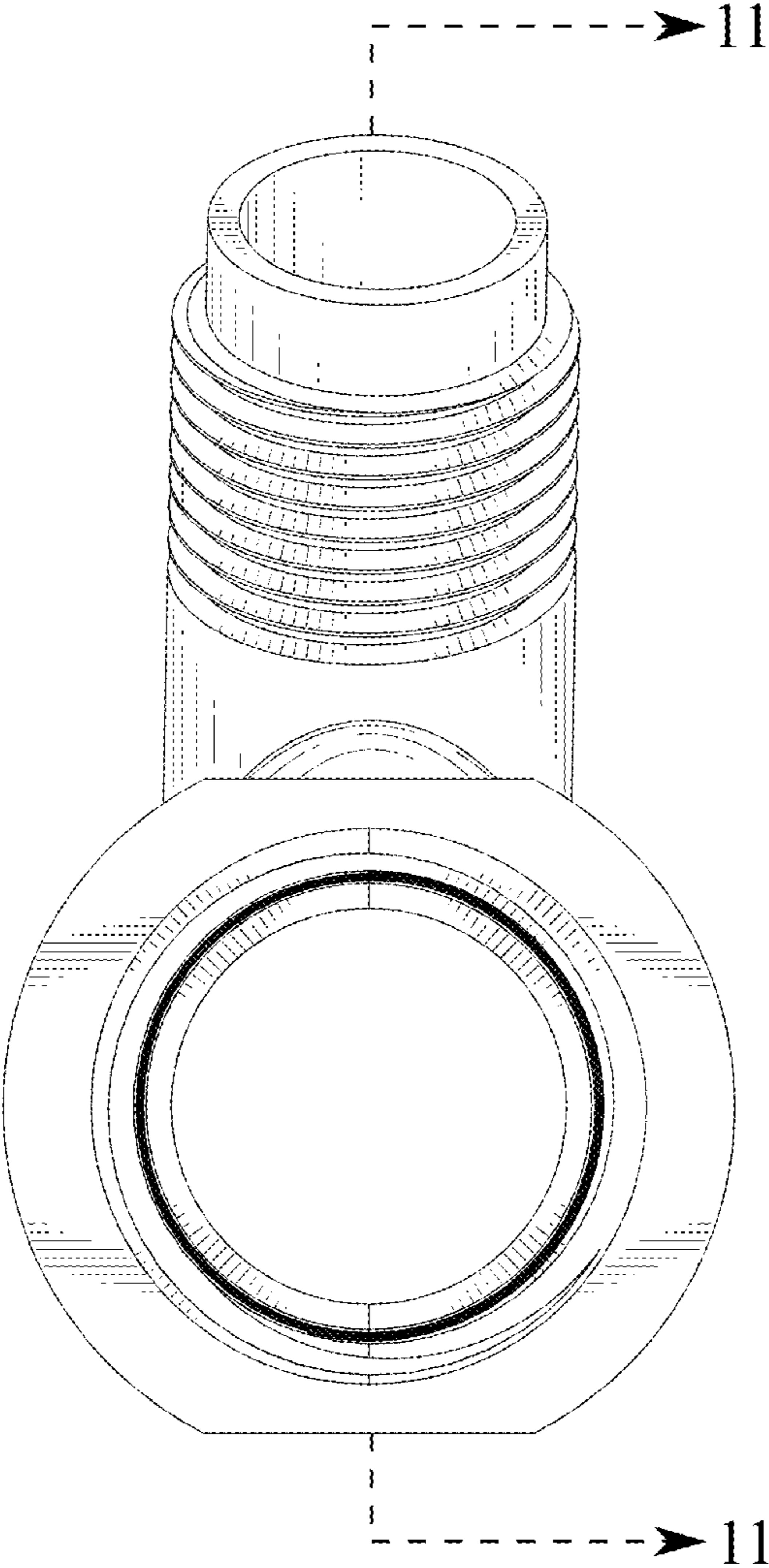


FIG. 4

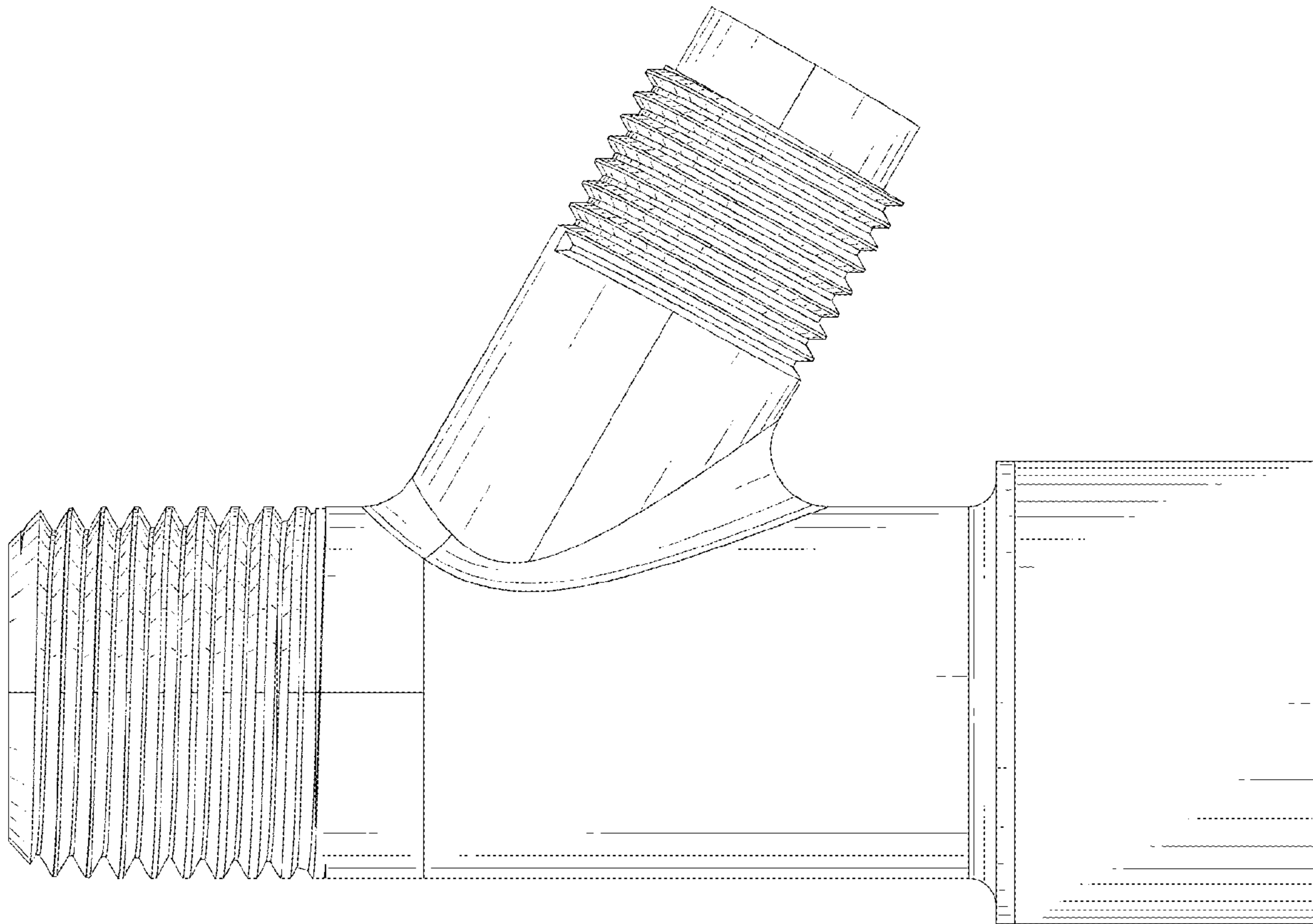


FIG. 5

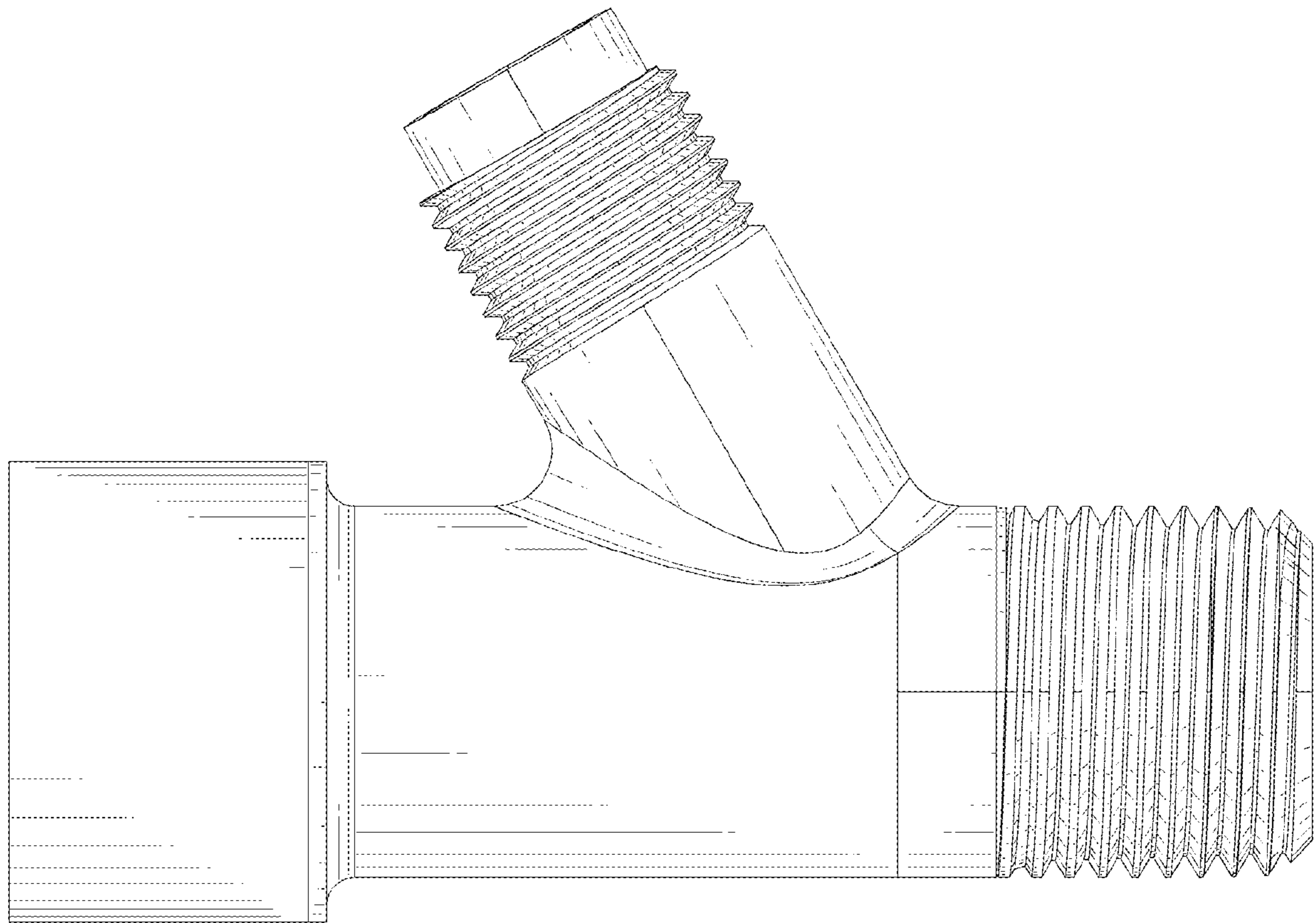


FIG. 6

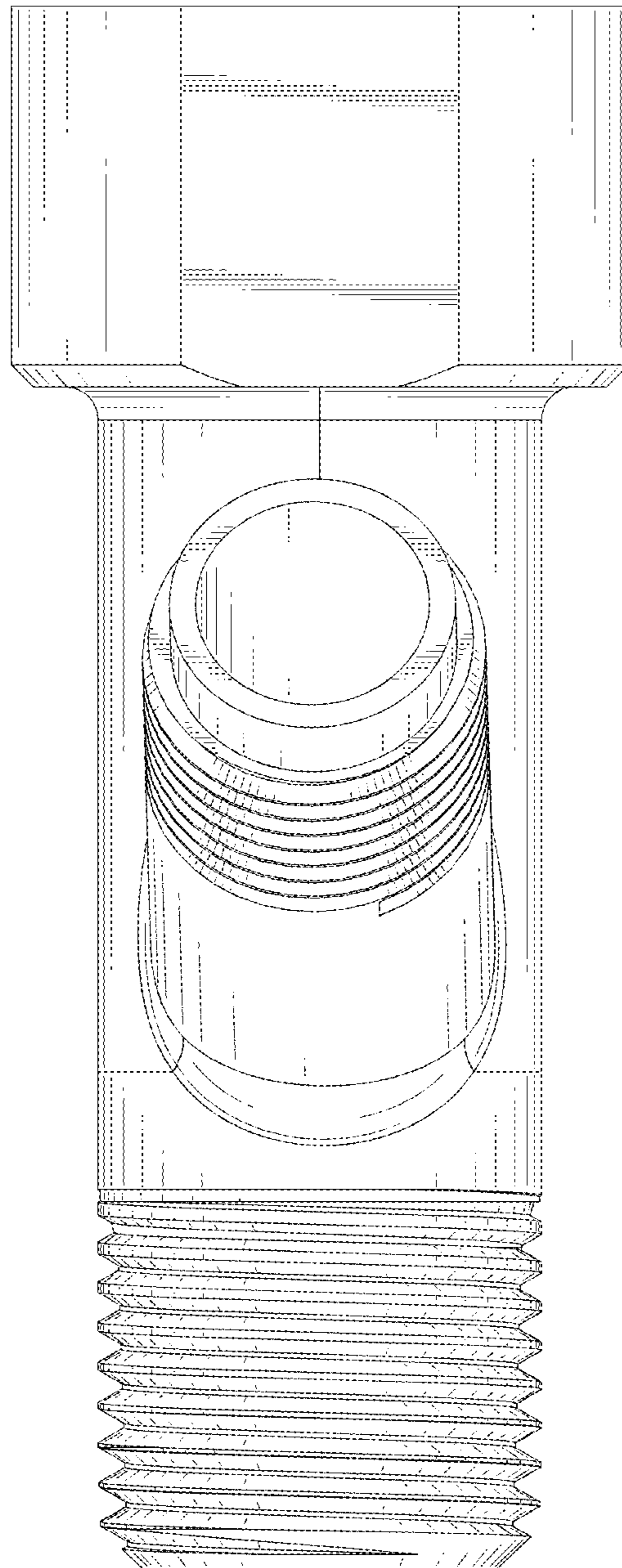


FIG. 7

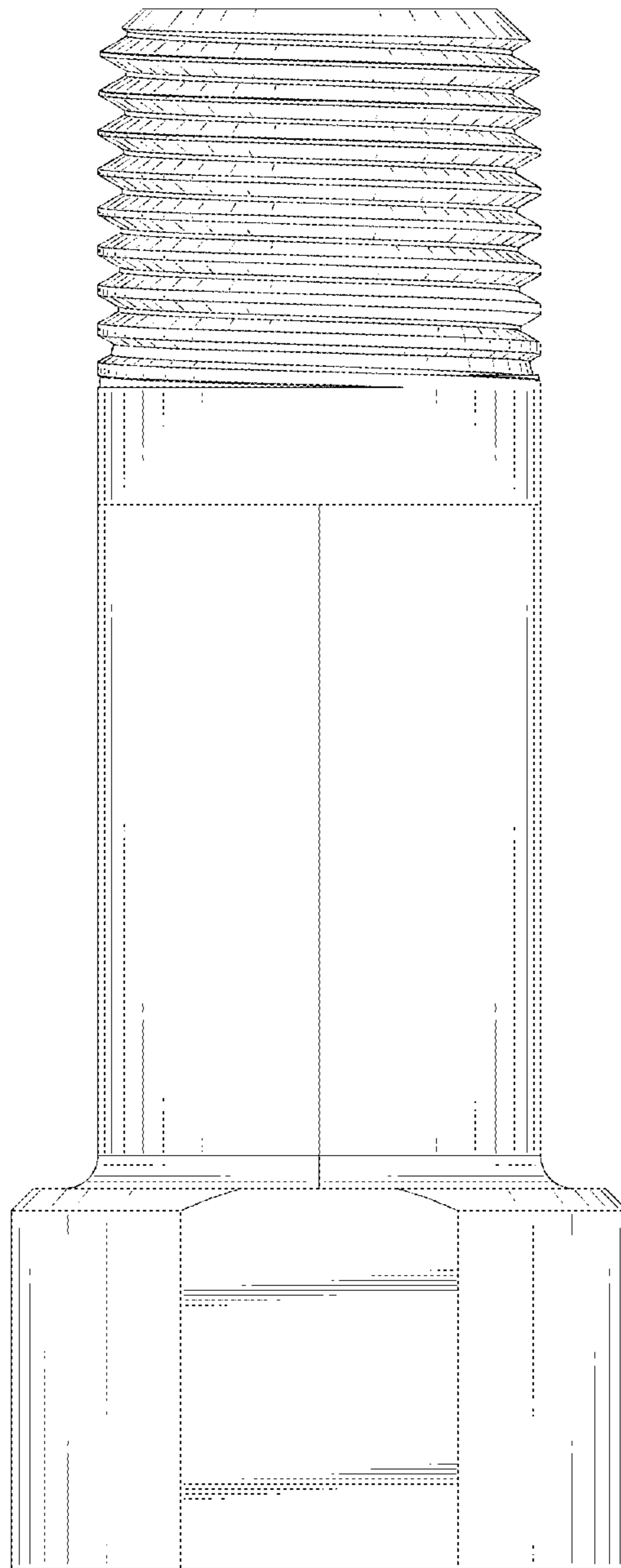


FIG. 8

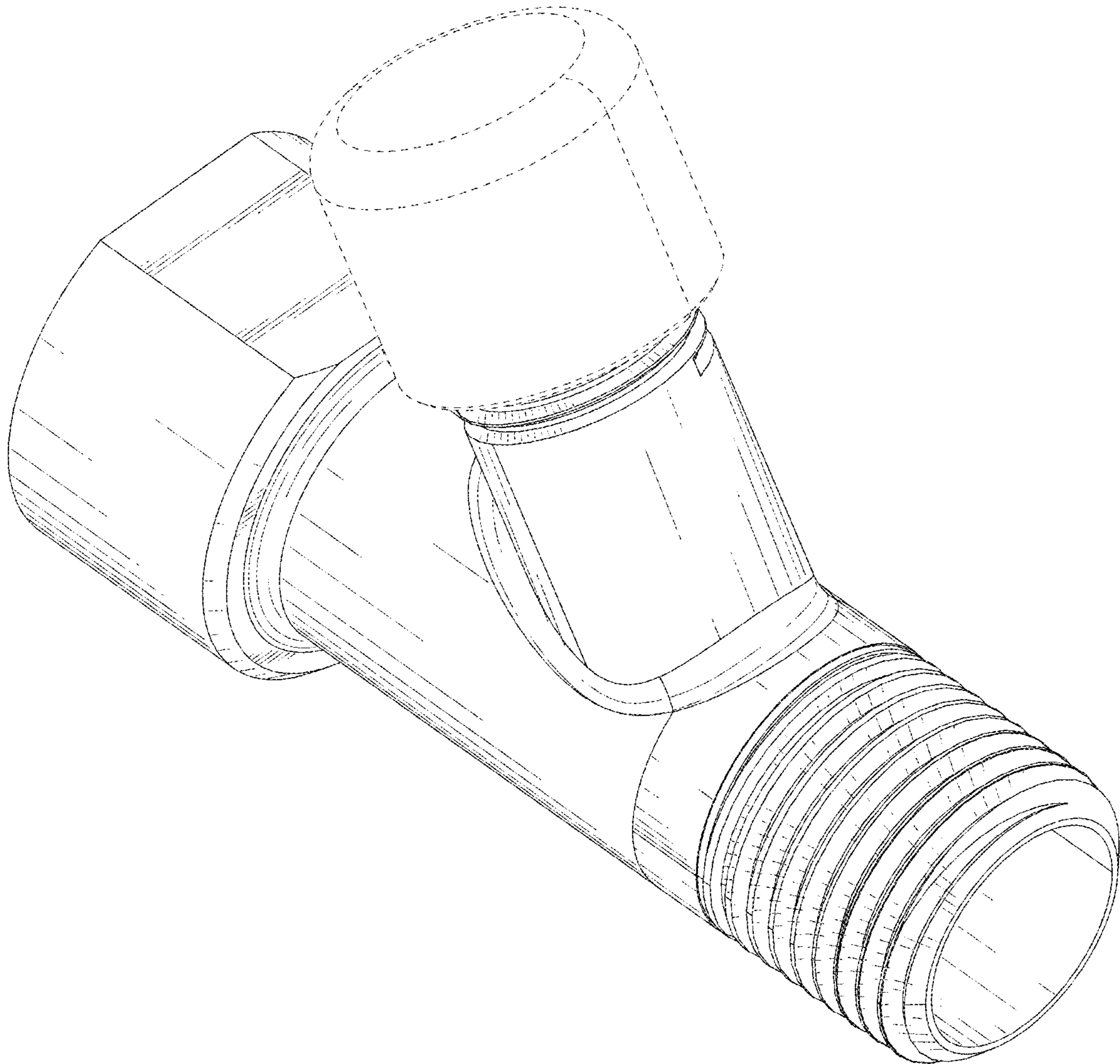


FIG. 9

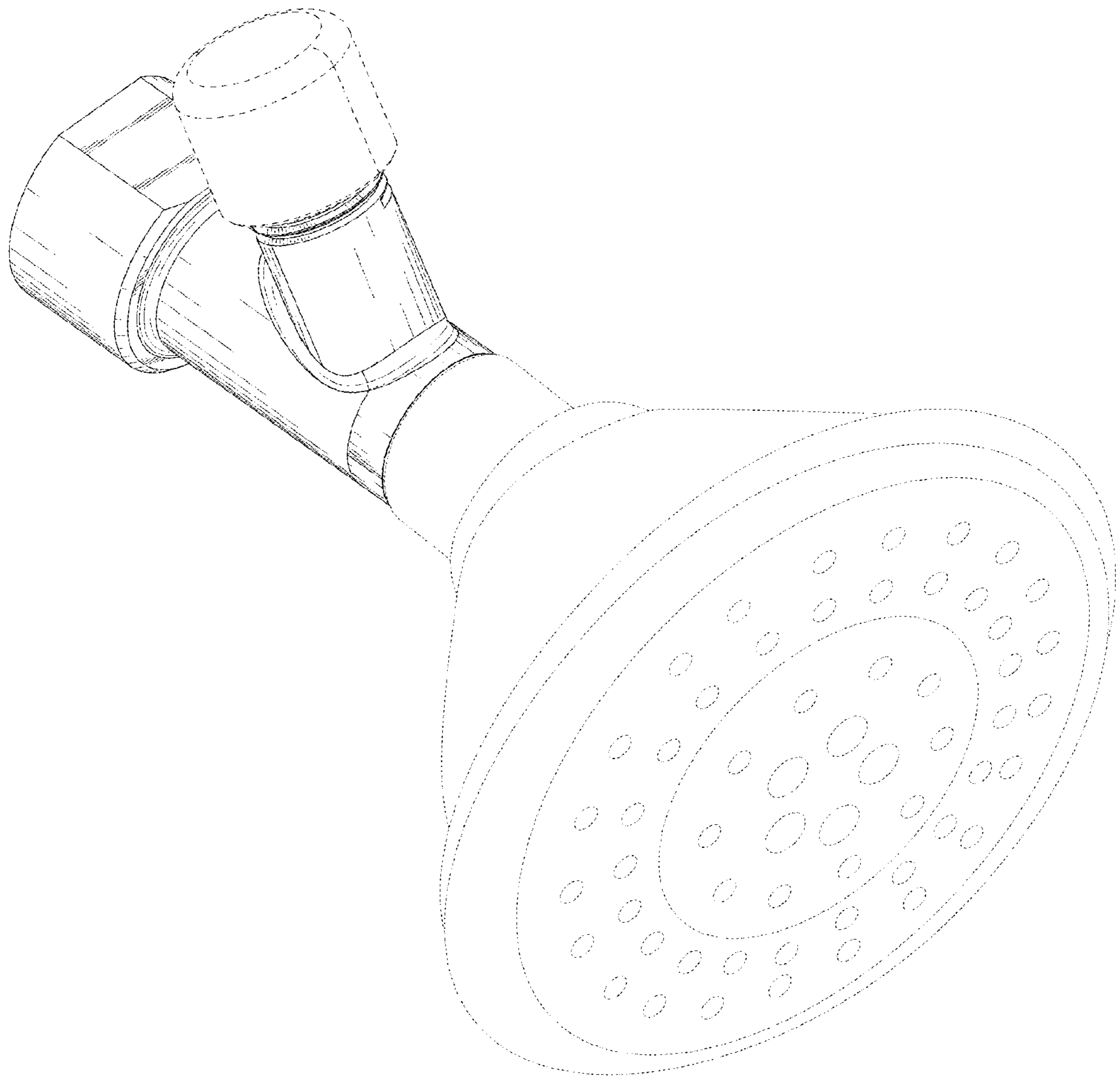


FIG. 10

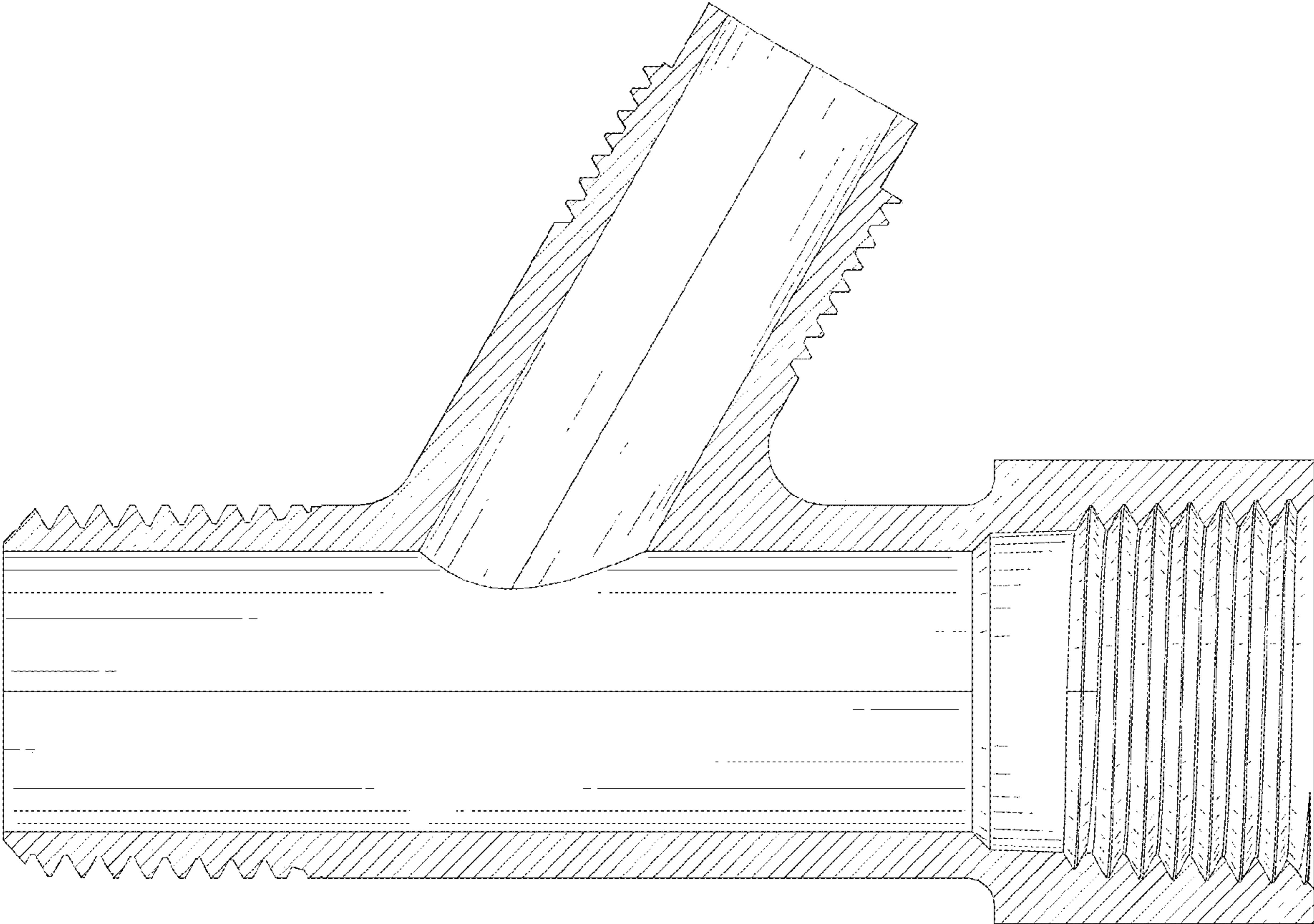


FIG. 11