

US0D1022088S

(12) **United States Design Patent** (10) **Patent No.:** **US D1,022,088 S**
Cooper (45) **Date of Patent:** **** Apr. 9, 2024**

(54) **EXERCISE MACHINE ARM JOINT**

(71) Applicant: **Rotem Cooper**, San Diego, CA (US)

(72) Inventor: **Rotem Cooper**, San Diego, CA (US)

(**) Term: **15 Years**

(21) Appl. No.: **29/843,086**

(22) Filed: **Jun. 17, 2022**

(51) **LOC (14) Cl.** **21-02**

(52) **U.S. Cl.**

USPC **D21/694**; D21/662; D21/673; D21/689

(58) **Field of Classification Search**

USPC D21/662, 673, 679, 686, 689, 691, 694,
D21/696

CPC A63B 21/078; A63B 1/00; A63B 21/156;
A63B 21/157; A63B 21/08; A63B 21/16;
A63B 21/0728; A63B 17/00; A63B
21/0557; A63B 1/005; A63B 21/152;
A63B 21/154; A63B 21/055; A63B
21/4001; A63B 21/155; A63B 21/153;
F16G 11/10; F16G 11/00

See application file for complete search history.

(56) **References Cited**

U.S. PATENT DOCUMENTS

D439,943	S *	4/2001	Webber	D21/694
6,488,612	B2 *	12/2002	Sechrest	A63B 21/152 482/138
D550,791	S *	9/2007	Rogers	D21/694
8,328,691	B2	12/2012	Lanfermann		
D708,507	S *	7/2014	Fretz	D8/360
9,457,220	B2 *	10/2016	Olson	A63B 21/0628
10,668,320	B2 *	6/2020	Watterson	A63B 23/03566
D890,867	S *	7/2020	Carmichael	D21/686
D912,168	S *	3/2021	Orady	D21/673
D934,354	S *	10/2021	Kim	D21/673
11,207,564	B2 *	12/2021	Ward	A61B 5/1126
D953,450	S *	5/2022	Pan	D21/673
D975,804	S *	1/2023	Orady	D21/673

D985,695	S *	5/2023	Smith	D21/674
D987,747	S *	5/2023	Fan	D21/686
2003/0115955	A1 *	6/2003	Keiser	A63B 23/12 73/379.06

(Continued)

FOREIGN PATENT DOCUMENTS

GB 6214784 * 6/2022

OTHER PUBLICATIONS

Tonal, Entire Gym on Your Wall, published on Oct. 9, 2018 [online]. Retrieved from internet (Date: Sep. 15, 2023), <http://web.archive.org/web/20181009063329/https://www.tonal.com/equipment/> (Year: 2018).*

(Continued)

Primary Examiner — Katherine A Holbrow
Assistant Examiner — Riya Salil Kamat

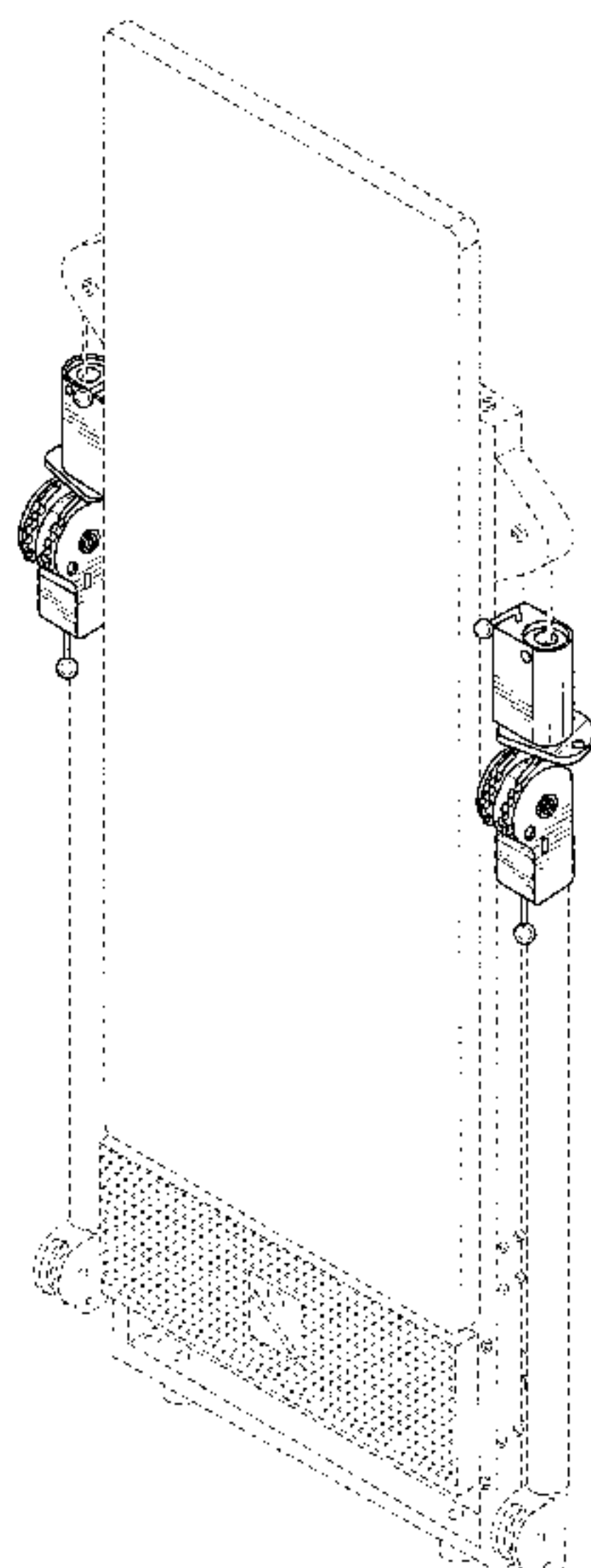
(57) **CLAIM**

The ornamental design for an exercise machine arm joint, as shown and described.

DESCRIPTION

FIG. 1 is a top front perspective view of an exercise machine arm joint showing my new design; FIG. 2 is a bottom rear perspective view thereof; FIG. 3 is a left elevational view thereof; FIG. 4 is a right elevational view thereof; FIG. 5 is a top plan view thereof; FIG. 6 is a bottom plan view thereof; FIG. 7 is a front elevational view thereof; FIG. 8 is a back elevational view thereof; FIG. 9 is a top front perspective view of the exercise machine arm joint in a folded configuration; and, FIG. 10 is a bottom rear perspective view thereof. The broken lines showing the exercise machine body and arms in FIGS. 1-10 show environment and form no part of the claimed design.

1 Claim, 10 Drawing Sheets



(56)

References Cited

U.S. PATENT DOCUMENTS

2003/0176261 A1* 9/2003 Simonson A63B 21/156
482/103
2008/0026919 A1* 1/2008 Lundquist A63B 23/1209
482/137
2013/0296146 A1* 11/2013 Staten A63B 21/154
482/120
2014/0135181 A1* 5/2014 Smith A63B 21/0628
482/139
2015/0182779 A1* 7/2015 Dalebout F16G 11/03
403/327
2017/0144025 A1 5/2017 Abbondanza
2020/0094096 A1* 3/2020 Sorin A63B 21/4047
2021/0121739 A1* 4/2021 Spelman A63B 21/0442
2023/0040364 A1* 2/2023 Meredith A63B 21/0622

OTHER PUBLICATIONS

Project Health, Top 6 Best Smart Gyms, published on Jun. 5, 2021 [online]. Retrieved from internet (Date: Sep. 19, 2023), <https://www.youtube.com/watch?v=7ExtTIUIWeg> (Year: 2021).*

Tonal, Retrieved from Internet, Retrieved on Mar. 16, 2022 <URL: <https://www.tonal.com/>>.

Forme, Retrieved from Internet, Retrieved on Mar. 16, 2022 <URL: <https://formelife.com/>>.

* cited by examiner

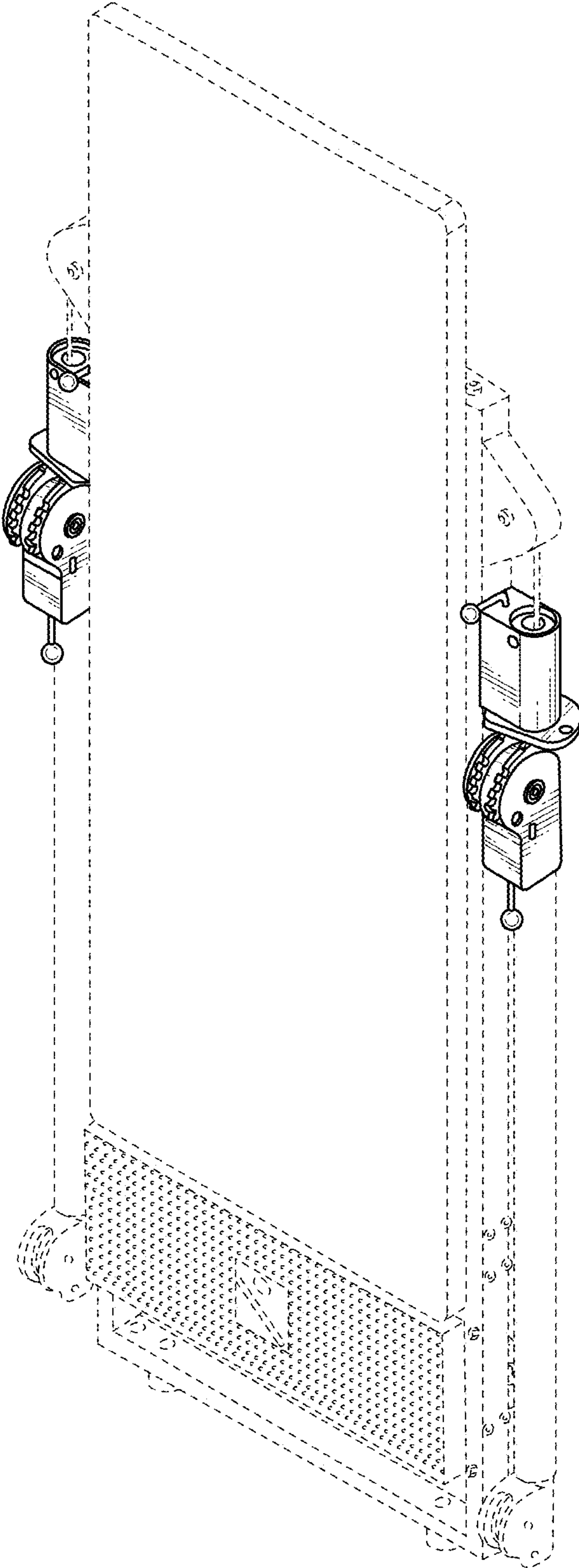


FIG. 1

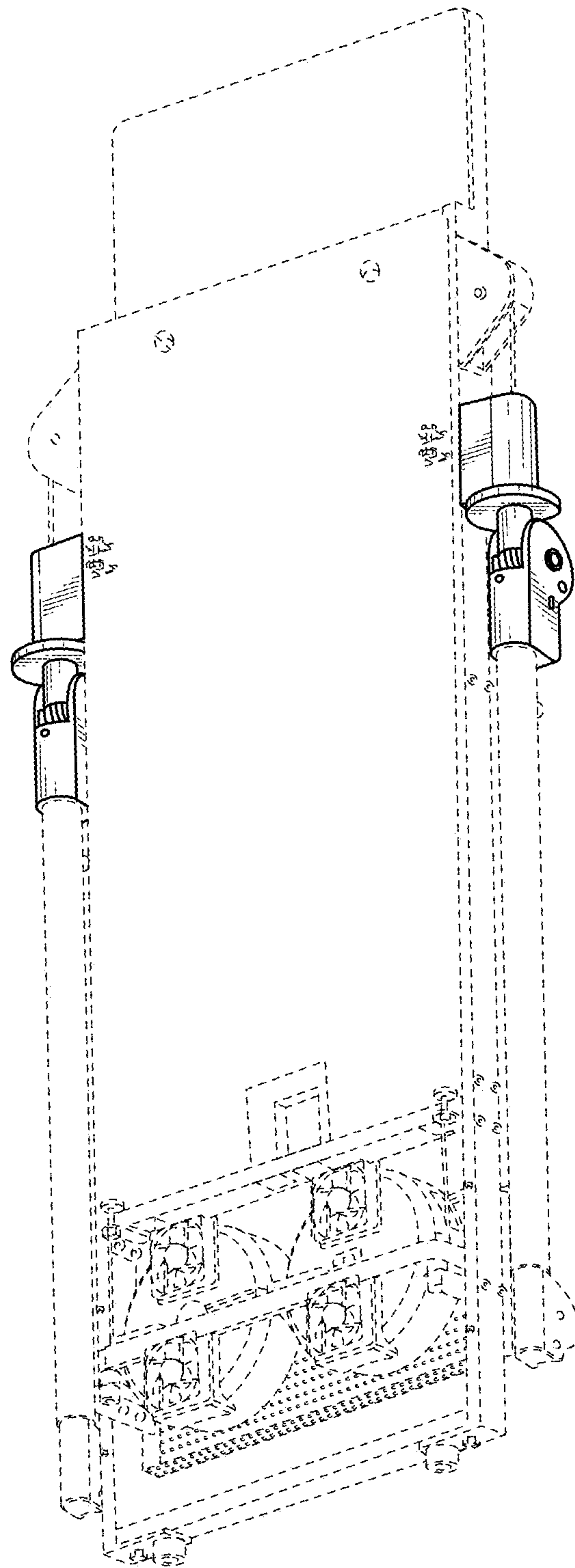


FIG. 2

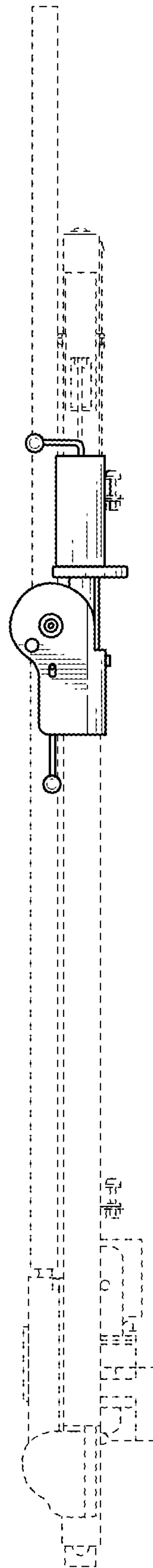


FIG. 3

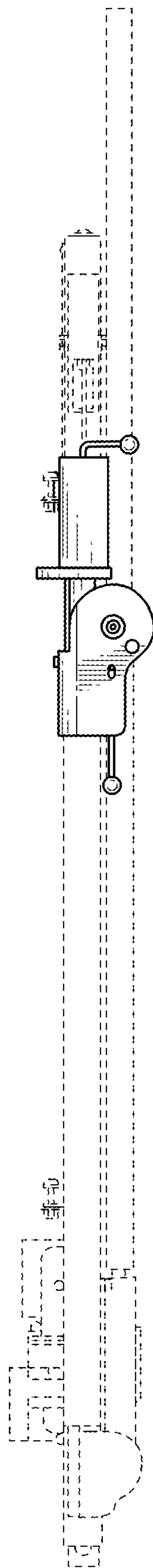


FIG. 4

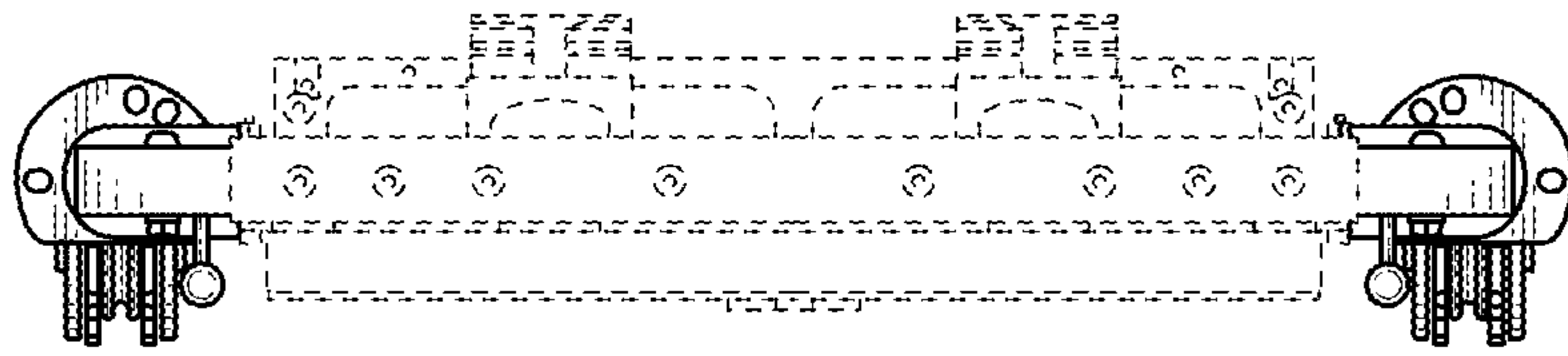


FIG. 5

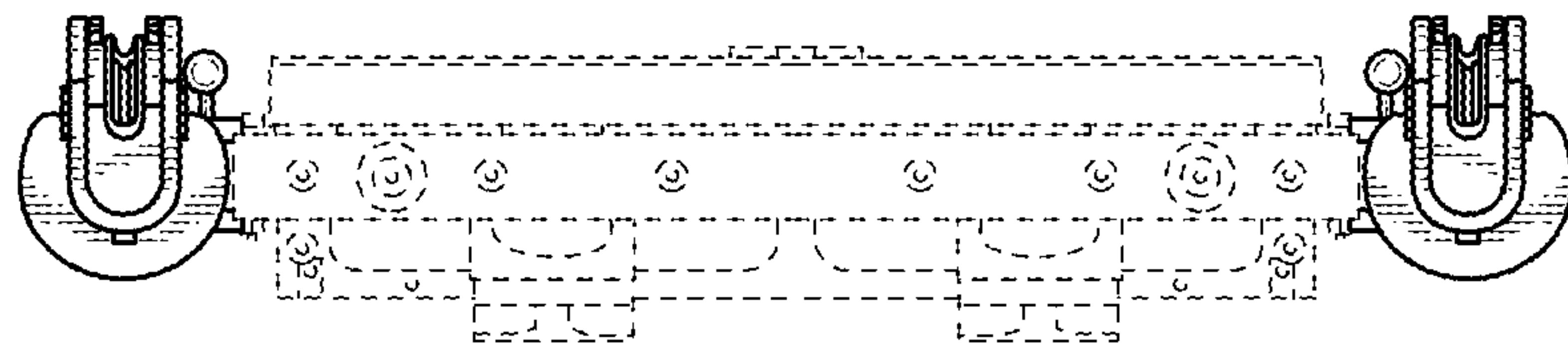


FIG. 6

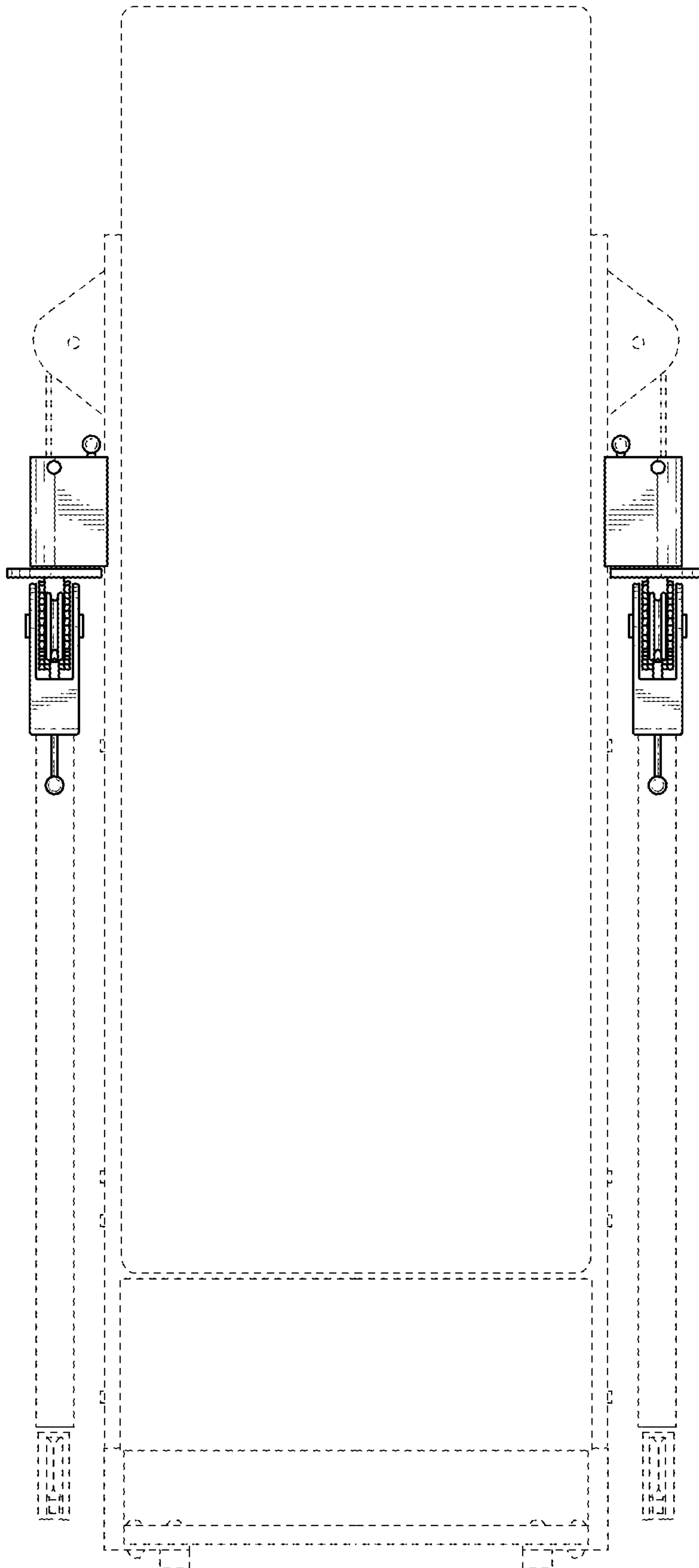


FIG. 7

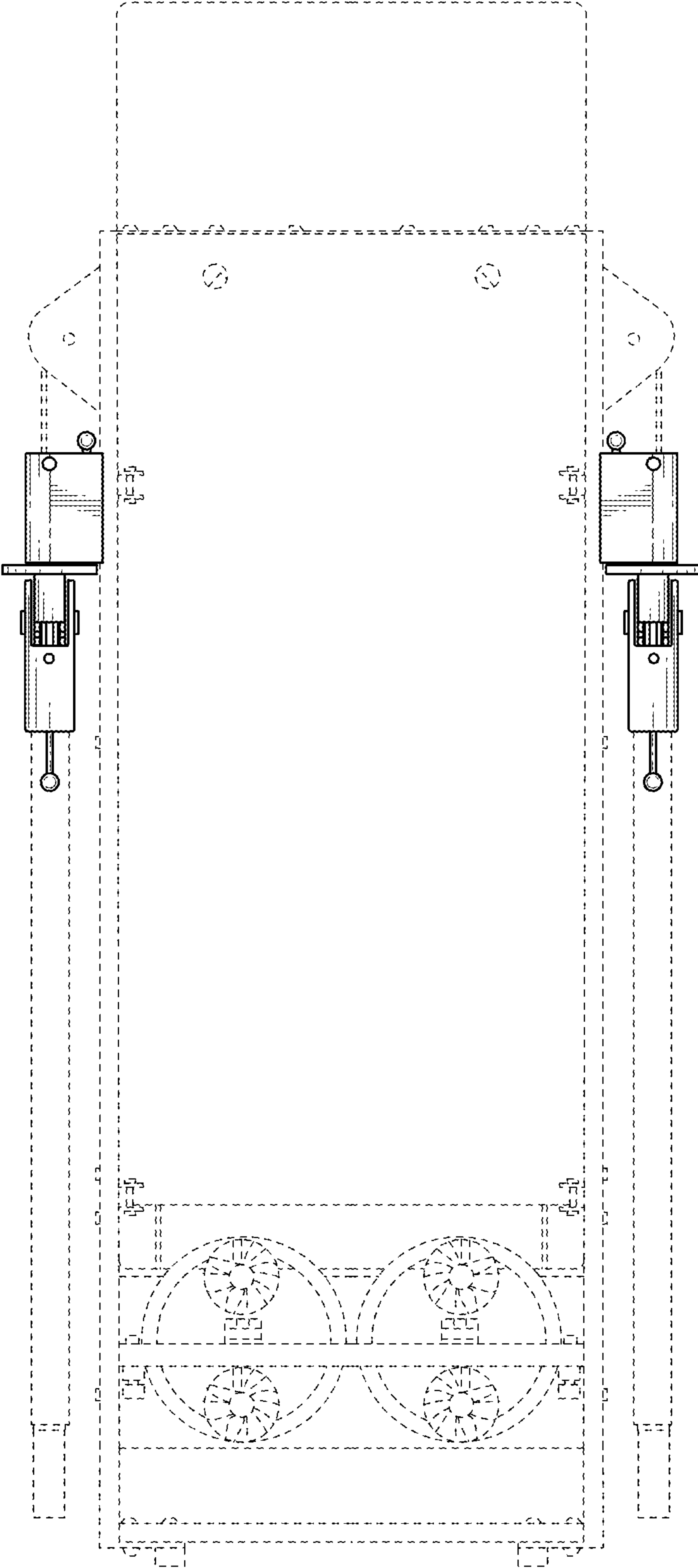


FIG. 8

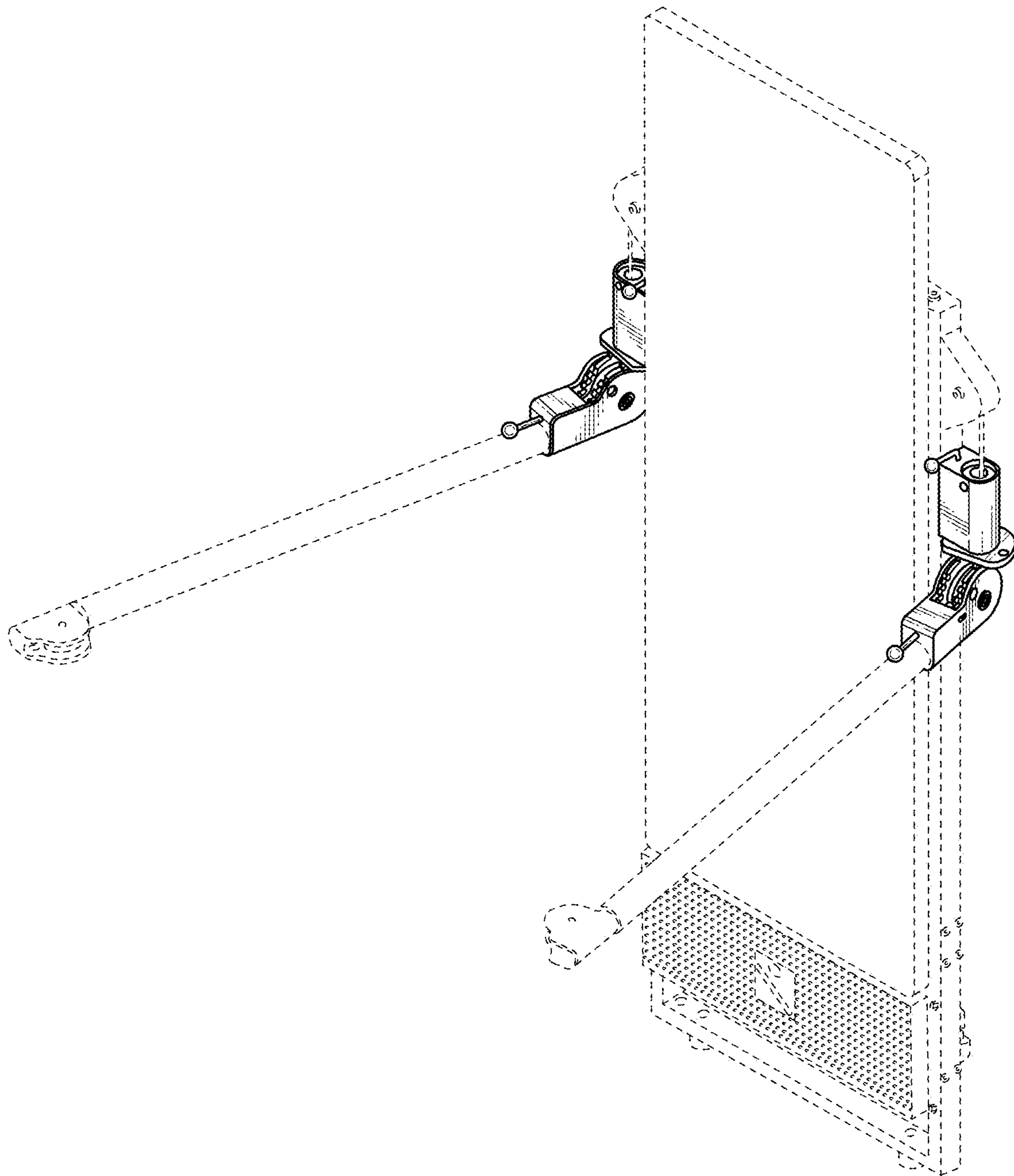


FIG. 9

