



US0D1021986S

(12) **United States Design Patent**
Chen

(10) **Patent No.:** **US D1,021,986 S**

(45) **Date of Patent:** **** Apr. 9, 2024**

- (54) **WELDING MACHINE**
- (71) Applicant: **Shenzhen Jin Qing Innovation Technology Co., LTD, Shenzhen (CN)**
- (72) Inventor: **Xinmin Chen, Shenzhen (CN)**
- (**) Term: **15 Years**
- (21) Appl. No.: **29/879,149**
- (22) Filed: **Jul. 3, 2023**
- (51) **LOC (14) Cl.** **15-09**
- (52) **U.S. Cl.**
USPC **D15/144.2**
- (58) **Field of Classification Search**
USPC D13/107, 110, 123, 133; D8/29.1, 30;
D15/7-9, 144, 144.1, 144.2
CPC B23K 9/00; B23K 10/00; B23K 10/02;
B23K 28/02; B23K 9/10; B23K 9/06;
B23K 9/32; B23K 37/0294
See application file for complete search history.

- 11,006,552 B2 * 5/2021 Jochman B23K 9/10
- D924,288 S * 7/2021 Lowther D15/144
- D940,218 S * 1/2022 Thompson D15/144.2
- D943,014 S * 2/2022 Thompson D15/144
- 2004/0178183 A1 * 9/2004 Cigelske, Jr. B23K 9/32
219/130.1
- 2005/0155959 A1 * 7/2005 Bender B23K 9/1006
219/133
- 2009/0277881 A1 * 11/2009 Bornemann B23P 19/00
29/611

(56) **References Cited**

U.S. PATENT DOCUMENTS

- D357,927 S * 5/1995 Soderholm D15/144.1
- 5,642,260 A * 6/1997 Sigl B23K 9/32
361/695
- D467,257 S * 12/2002 Andersson D15/144
- 6,489,591 B1 * 12/2002 Achtner B23K 9/32
219/130.1
- D520,038 S 5/2006 Ljungfeldt
- D654,519 S * 2/2012 Wujczak D15/144
- D665,833 S * 8/2012 Raymond D15/144
- D775,250 S * 12/2016 Snead D15/144
- D813,161 S * 3/2018 Ortakales D13/110
- D821,465 S 6/2018 Lin
- D836,146 S * 12/2018 Lin D15/144
- D862,544 S * 10/2019 Lin D15/144
- D884,758 S * 5/2020 Shu D15/144
- D907,080 S * 1/2021 Shu D15/144

OTHER PUBLICATIONS

Arccaptain, MIG200 Welder, (First available Nov. 16, 2022), Amazon.com, URL:<<https://www.amazon.com/ARCCAPTAIN-MIG200-Welder-Flux-Core/dp/B0BMK7JV1M>> (Year: 2022).*

(Continued)

Primary Examiner — Calvin E Vansant
Assistant Examiner — Mark T. Philipps
(74) *Attorney, Agent, or Firm* — Vladimir Postnikov

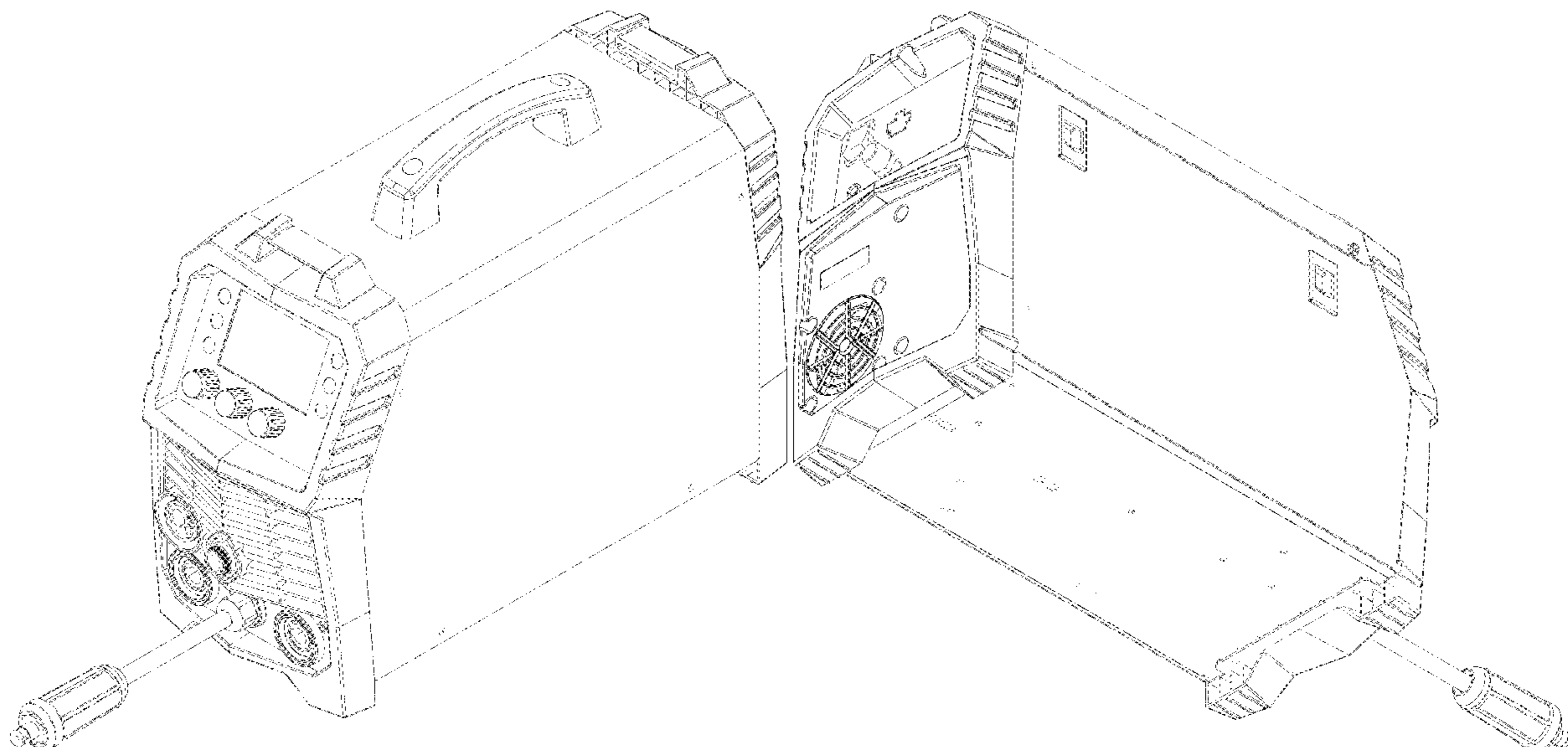
(57) **CLAIM**

The ornamental design for a welding machine, as shown and described.

DESCRIPTION

FIG. 1 is a front elevation view of a welding machine showing the new design;
FIG. 2 is a back elevation view thereof;
FIG. 3 is a left-side view thereof;
FIG. 4 is a right-side view thereof;
FIG. 5 is a top plan view thereof;
FIG. 6 is a bottom plan view thereof;
FIG. 7 is a perspective view thereof; and,
FIG. 8 is another perspective view thereof.
The broken lines depict portions of the article that form no part of the claimed design.

1 Claim, 8 Drawing Sheets



(56)

References Cited

OTHER PUBLICATIONS

Tooliom, 200M MIG Welder 3 in 1, (First available Aug. 10, 2020), Amazon.com, URL:<<https://www.amazon.com/dp/B08C9J3PS2>> (Year: 2020).*

Flameweld, MIG ARC TIG 3 in 1, (First available Apr. 22, 2022), Amazon.com, URL:<<https://www.amazon.com/dp/B09YLFN8LZ>> (Year: 2022).*

Yeswelder, Gas Gasless 160A multi process MIG Welder, (First available Feb. 28, 2023), Amazon.com, URL:<<https://www.amazon.com/dp/B0BX3VRGW3>> (Year: 2023).*

* cited by examiner

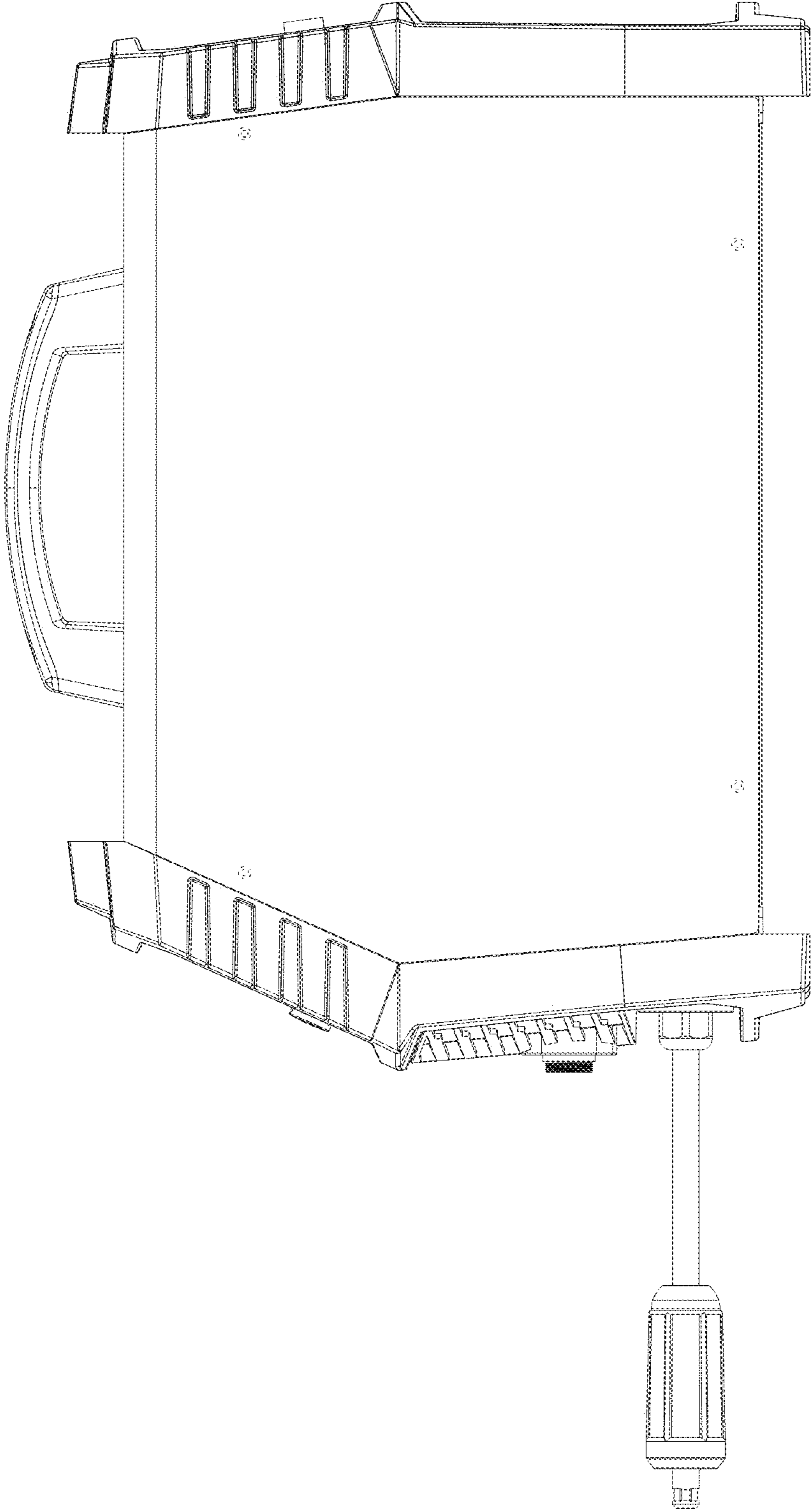


FIG. 1

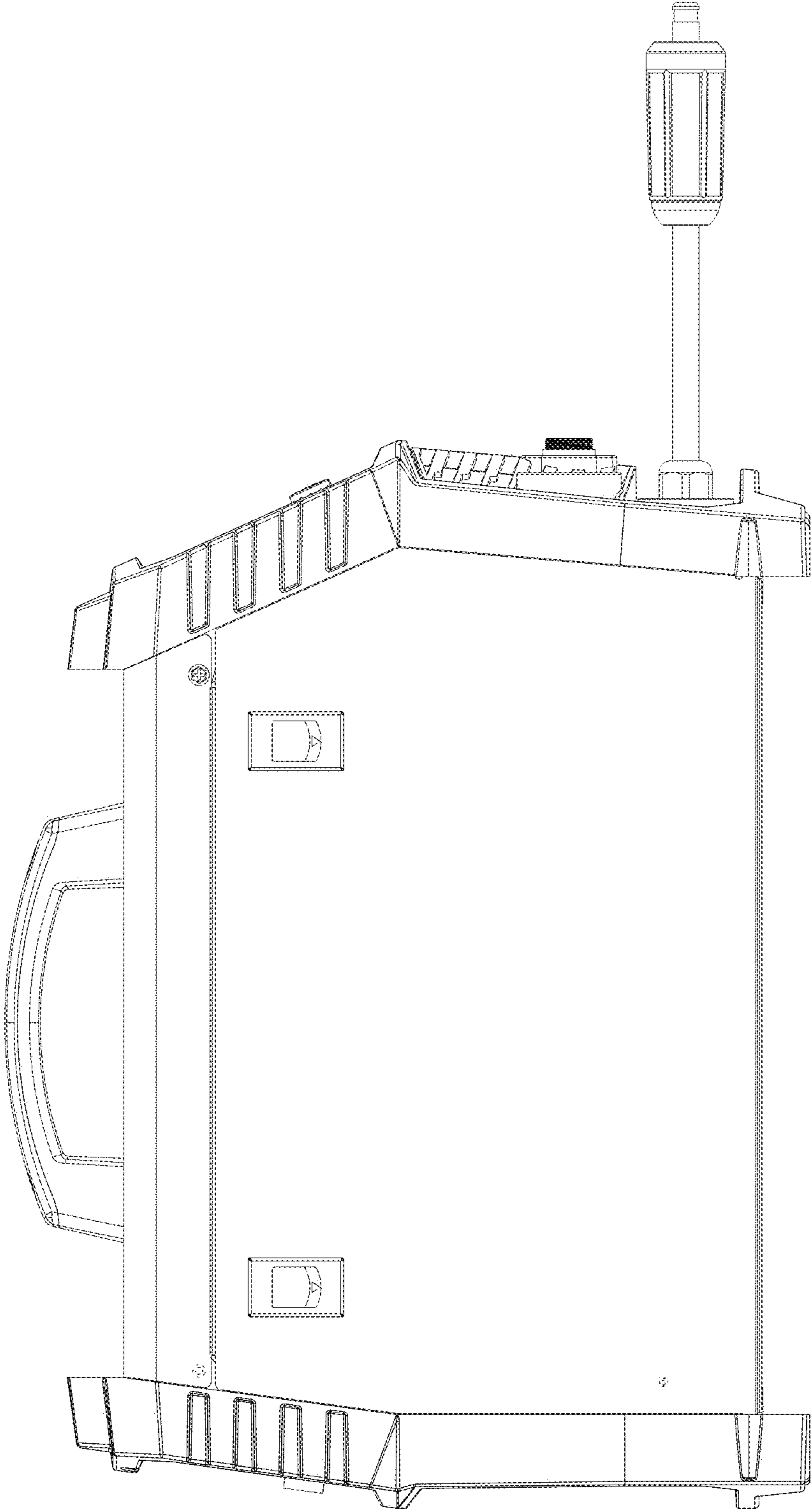


FIG. 2

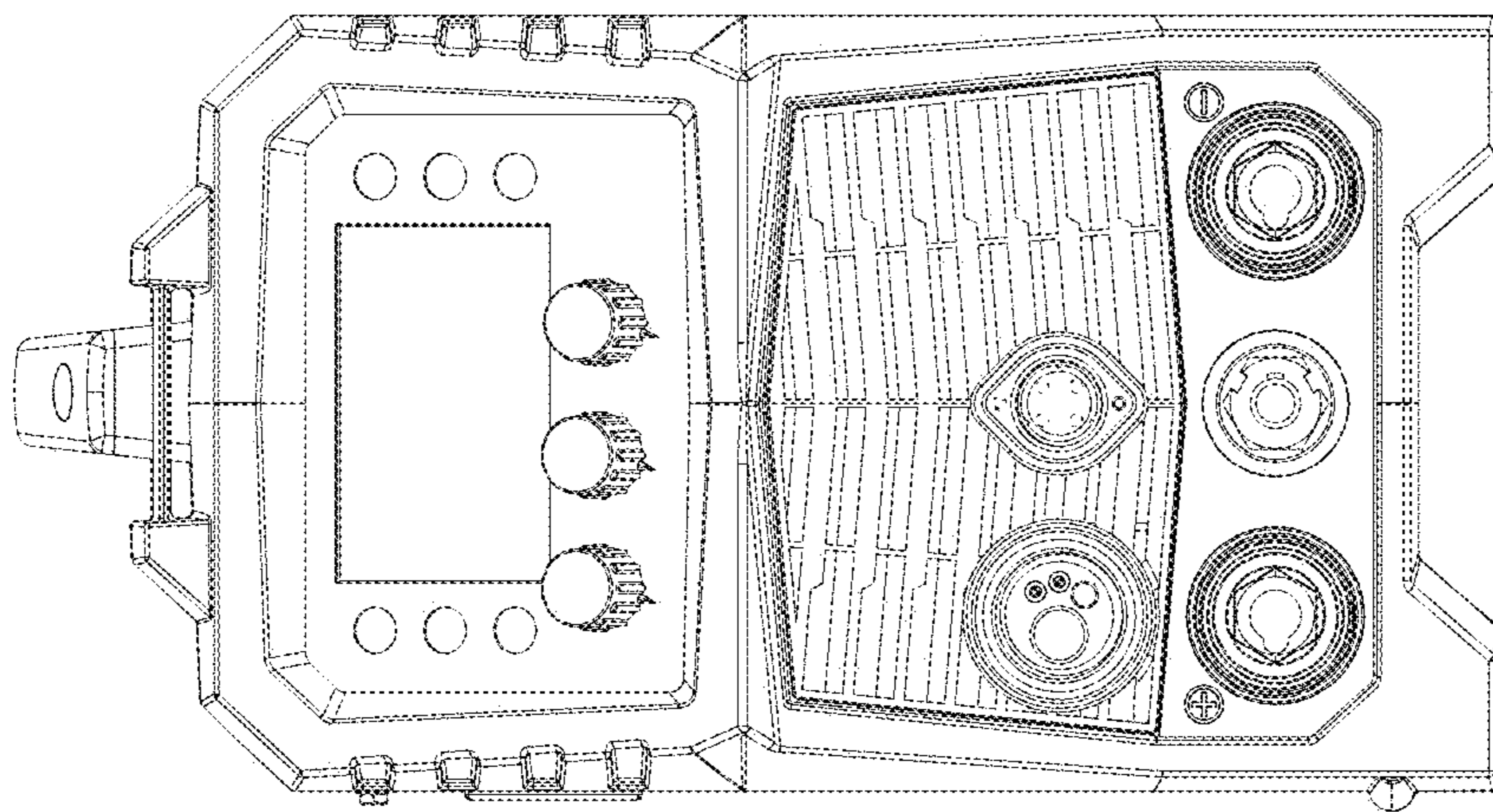


FIG. 3

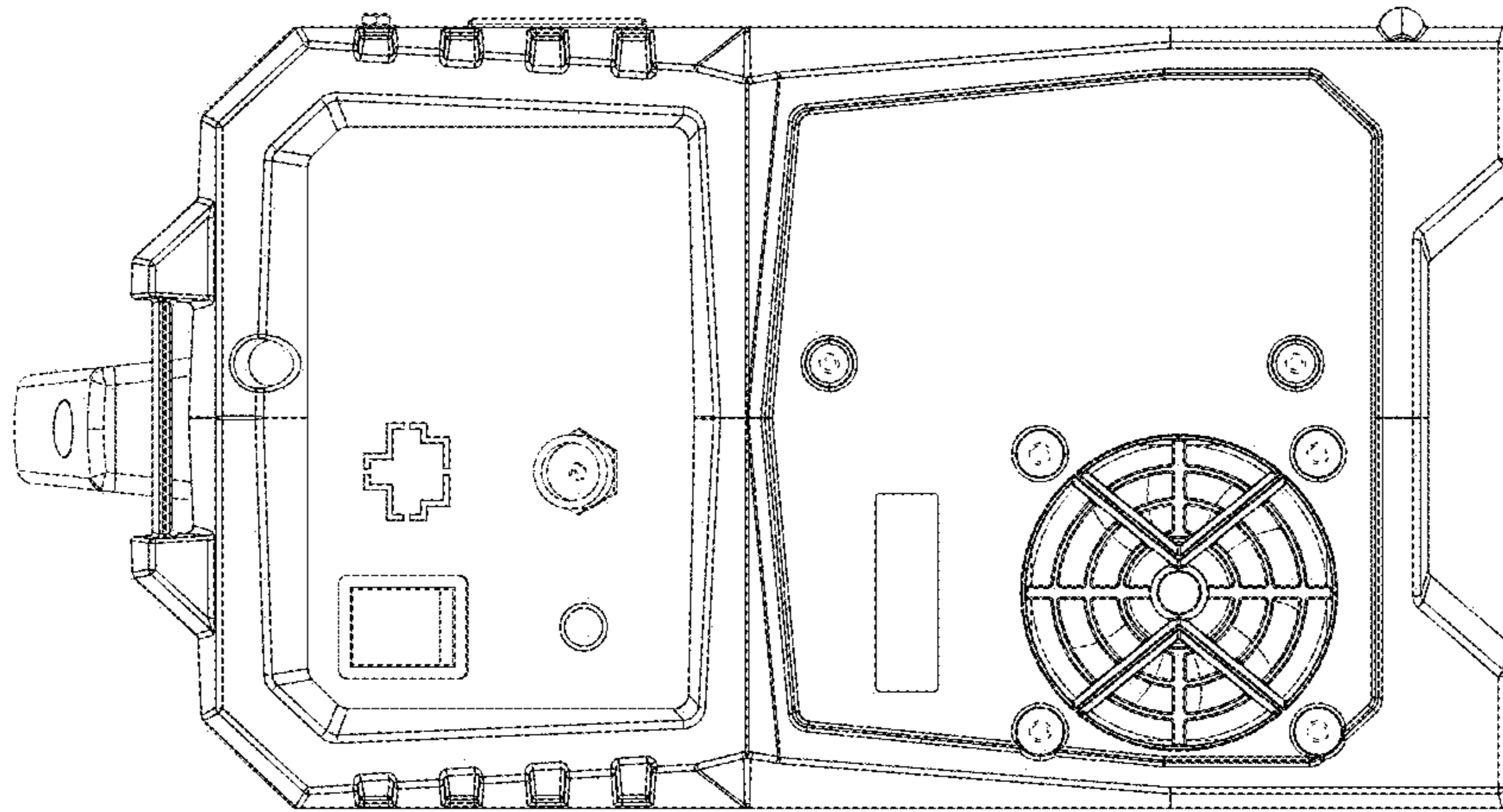


FIG. 4

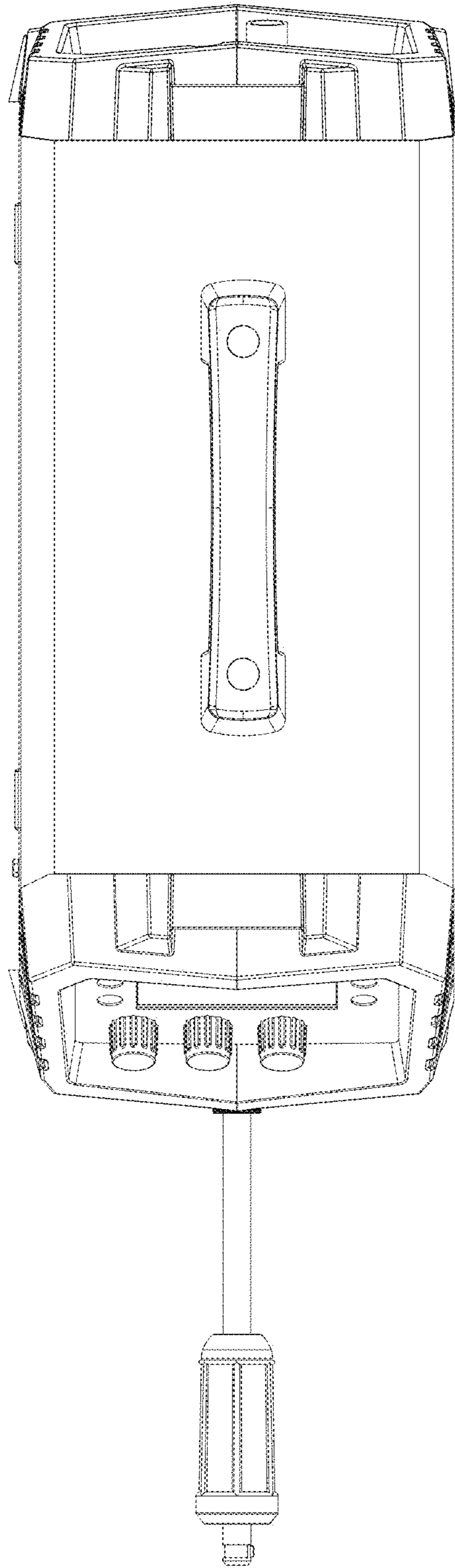


FIG. 5

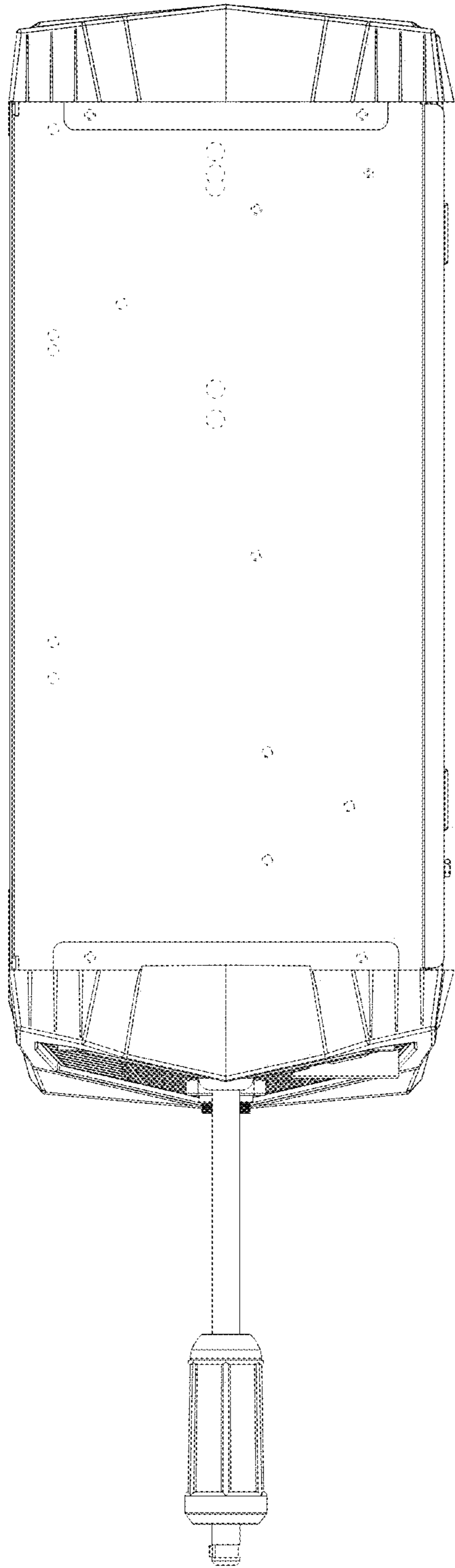


FIG. 6

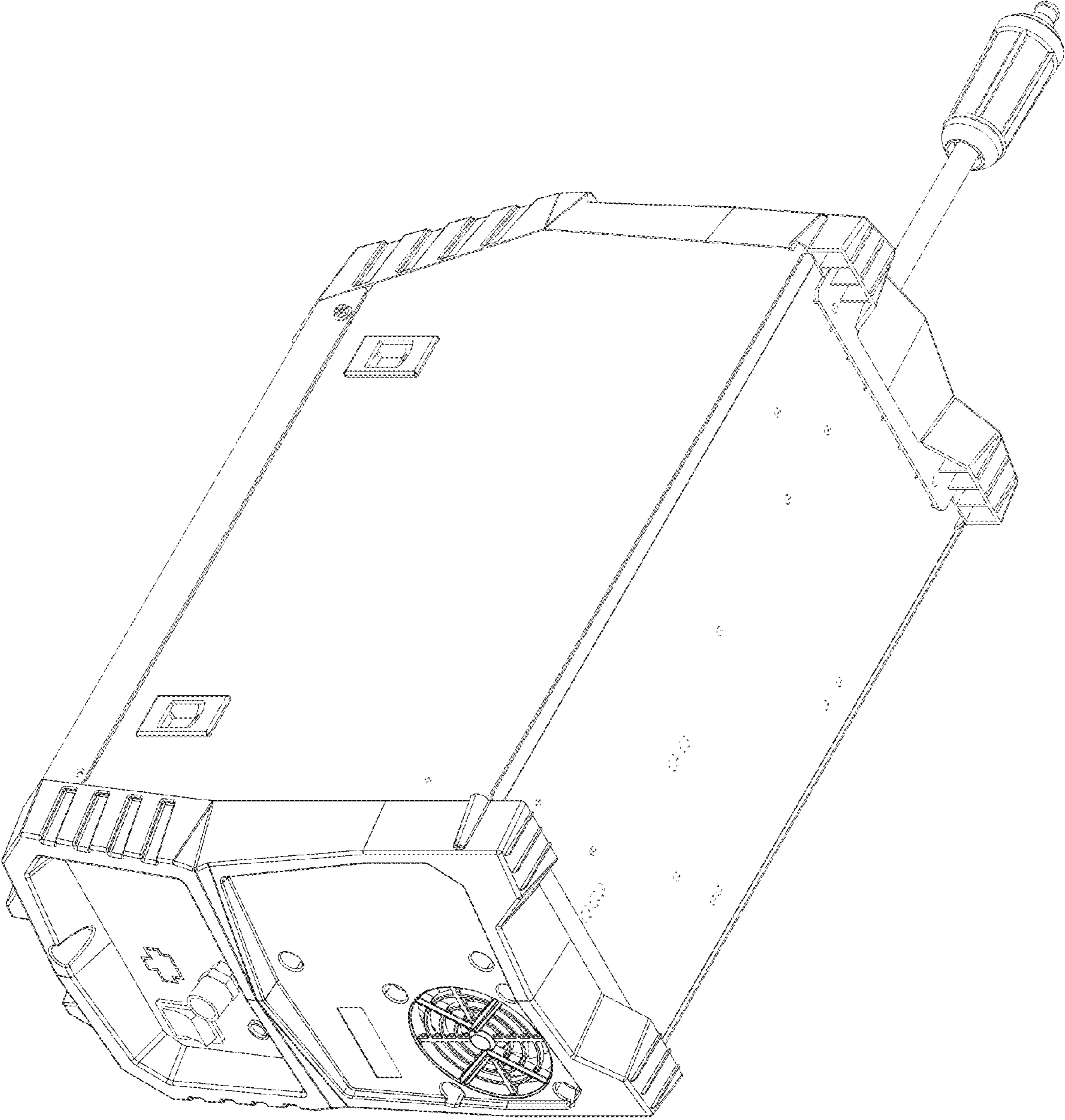


FIG. 8