

US0D1021800S

(12) **United States Design Patent**
Lin

(10) **Patent No.:** **US D1,021,800 S**

(45) **Date of Patent:** **** Apr. 9, 2024**

(54) **HYDROGEN GENERATOR**

(71) Applicant: **Hsin-Yung Lin**, Shanghai (CN)

(72) Inventor: **Hsin-Yung Lin**, Shanghai (CN)

(**) Term: **15 Years**

(21) Appl. No.: **29/846,109**

(22) Filed: **Jul. 13, 2022**

(30) **Foreign Application Priority Data**

Jan. 20, 2022 (CN) 202230038563.5

(51) **LOC (14) Cl.** **13-01**

(52) **U.S. Cl.**

USPC **D13/112**

(58) **Field of Classification Search**

USPC D13/101, 110, 112, 113, 114, 116, 118,
D13/122, 184, 199

CPC C25B 9/00; C01B 3/065; H02K 7/006;
F02B 63/044; F02B 2063/045

See application file for complete search history.

(56) **References Cited**

U.S. PATENT DOCUMENTS

D490,374 S * 5/2004 Amakawa D13/112
D758,309 S * 6/2016 Terada D13/112
D777,668 S * 1/2017 Lin D13/112
D790,466 S * 6/2017 Lin D13/112

D794,562 S * 8/2017 Markoski D13/112
D806,029 S * 12/2017 Lin D13/112
2015/0034025 A1* 2/2015 Markoski F02B 5/00
29/888.01

* cited by examiner

Primary Examiner — Derrick E Holland

(74) *Attorney, Agent, or Firm* — Rosenberg, Klein & Lee

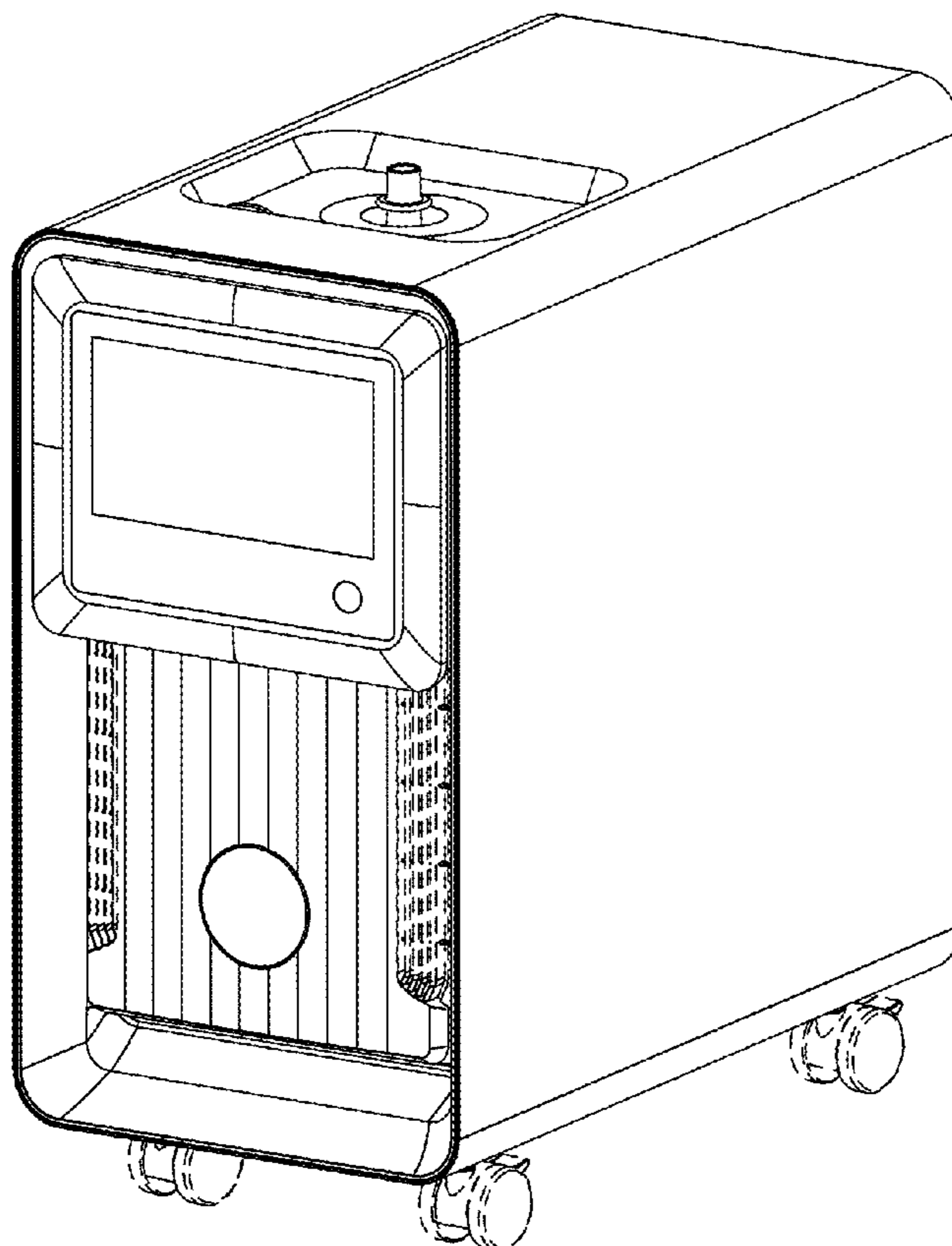
(57) **CLAIM**

The ornamental design for a hydrogen generator, as shown and described.

DESCRIPTION

FIG. 1 is a perspective view of a hydrogen generator according to the new design;
FIG. 2 is another perspective view thereof;
FIG. 3 is a front view thereof;
FIG. 4 is a rear view thereof;
FIG. 5 is a left side view thereof;
FIG. 6 is a right side view thereof;
FIG. 7 is a top view thereof, and,
FIG. 8 is a bottom view thereof; and,
FIG. 9 is a reference perspective view showing a state in which a display panel of the hydrogen generator is opened. The broken lines shown represent the portions of the hydrogen generator that form no part of the claimed design.

1 Claim, 9 Drawing Sheets



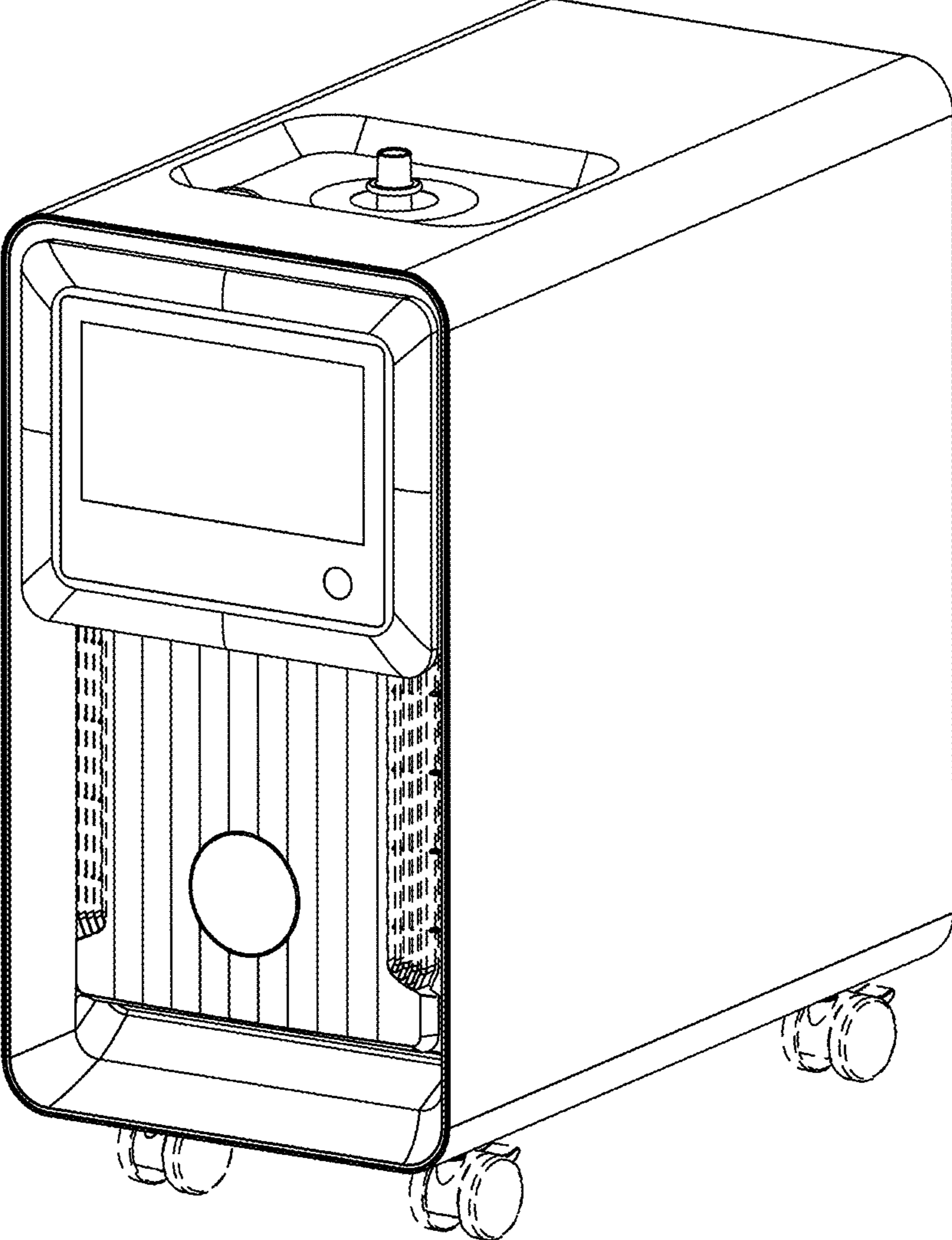


FIG. 1

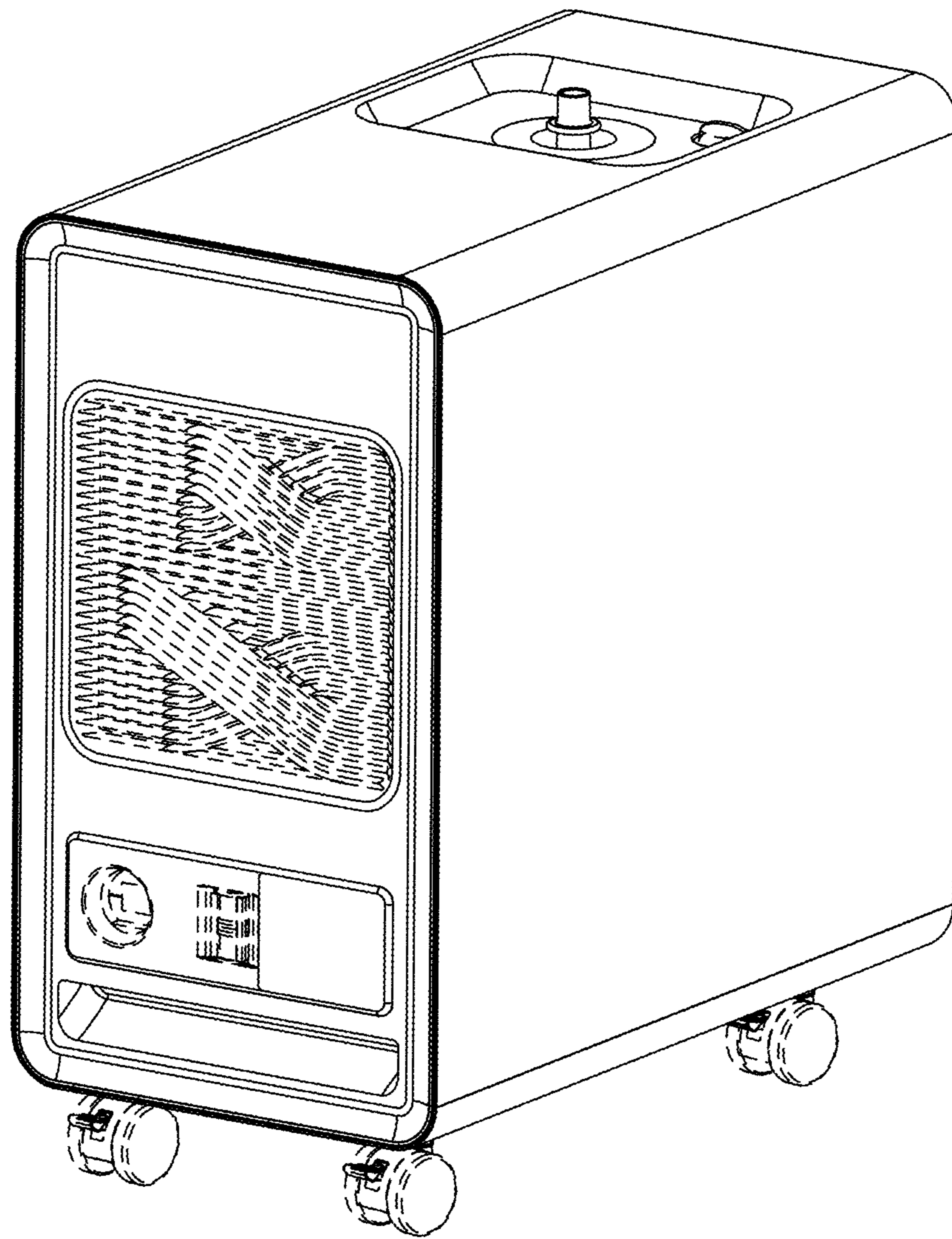


FIG. 2

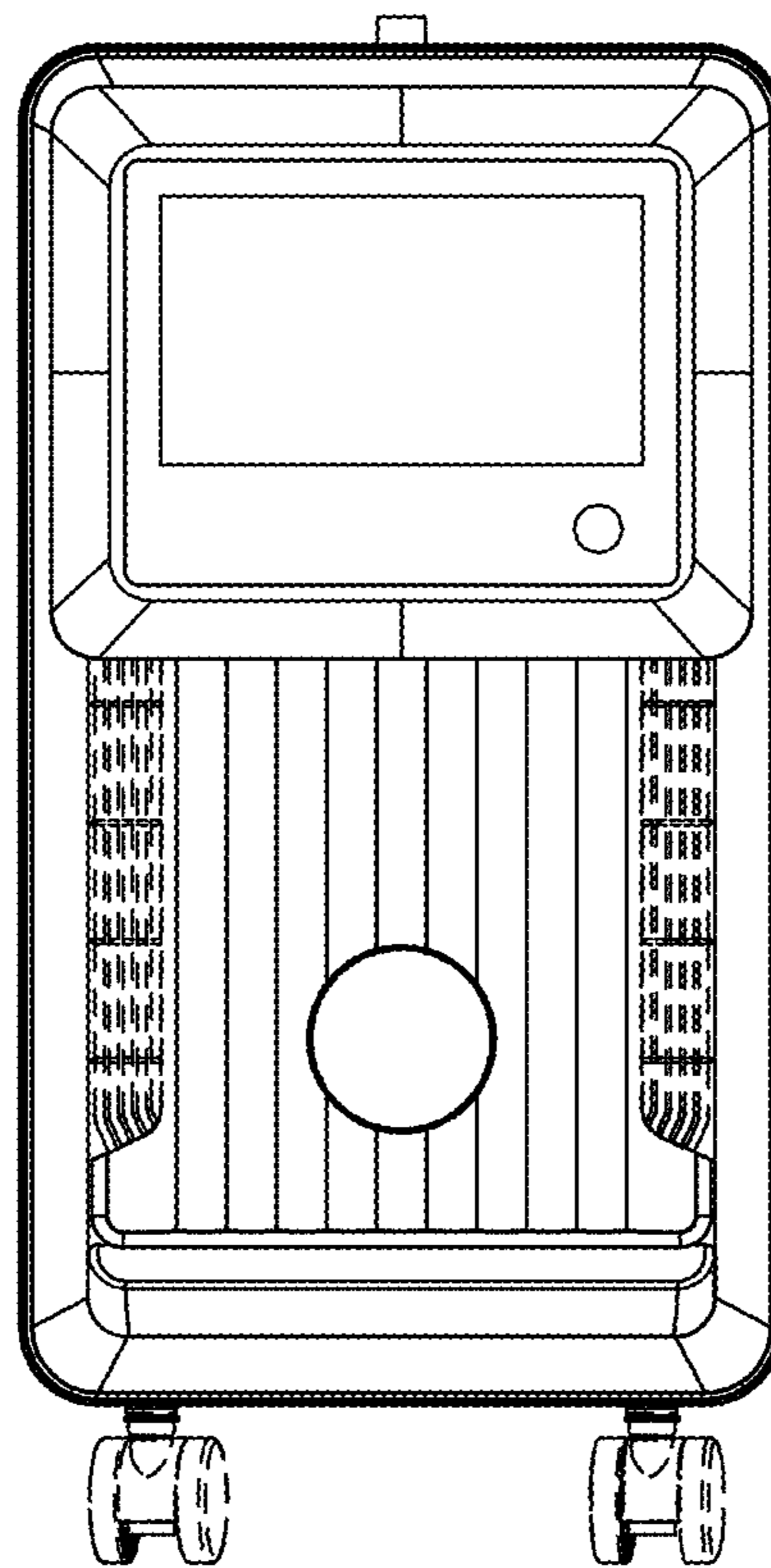


FIG. 3

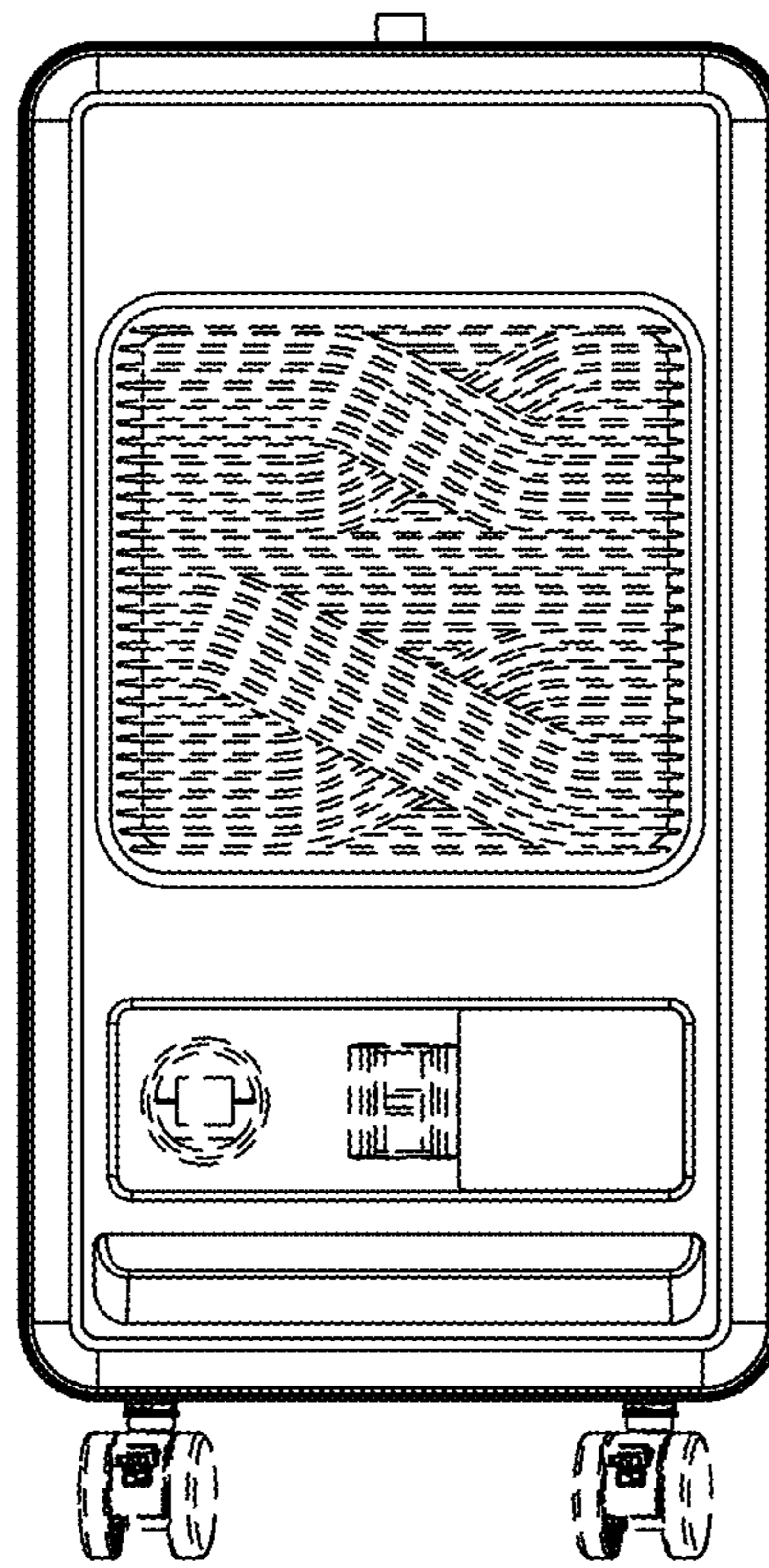


FIG. 4

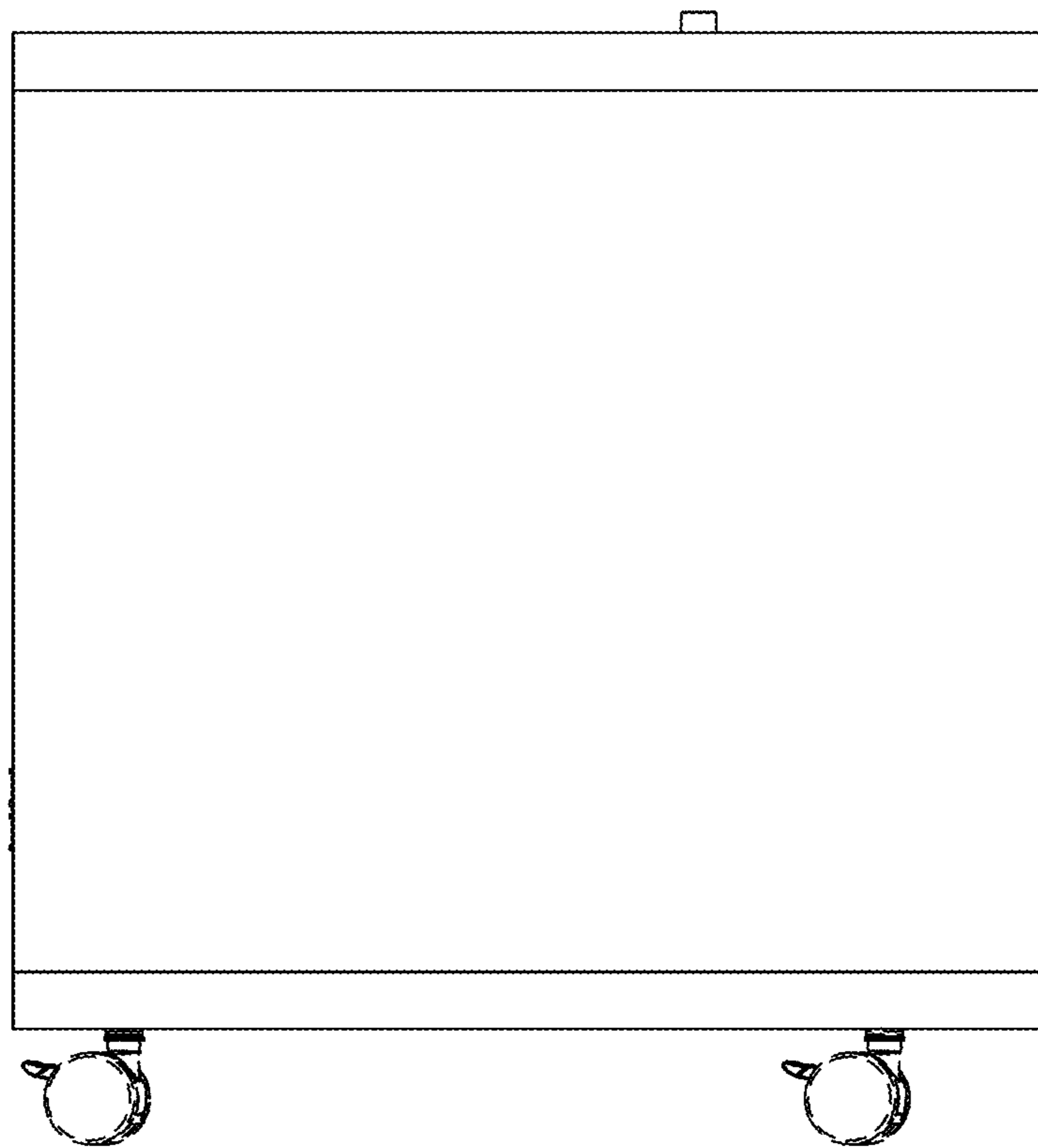


FIG. 5

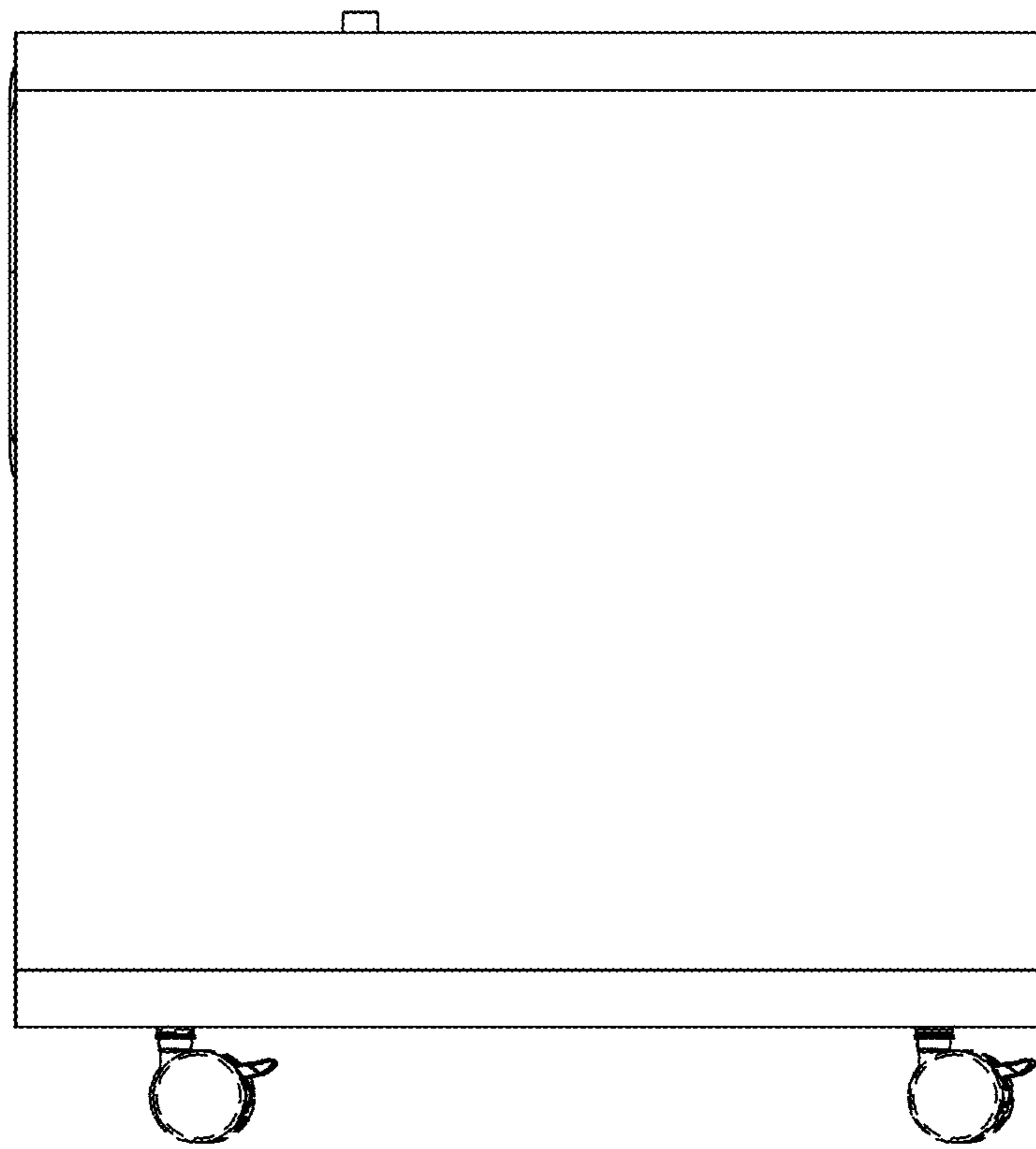


FIG. 6

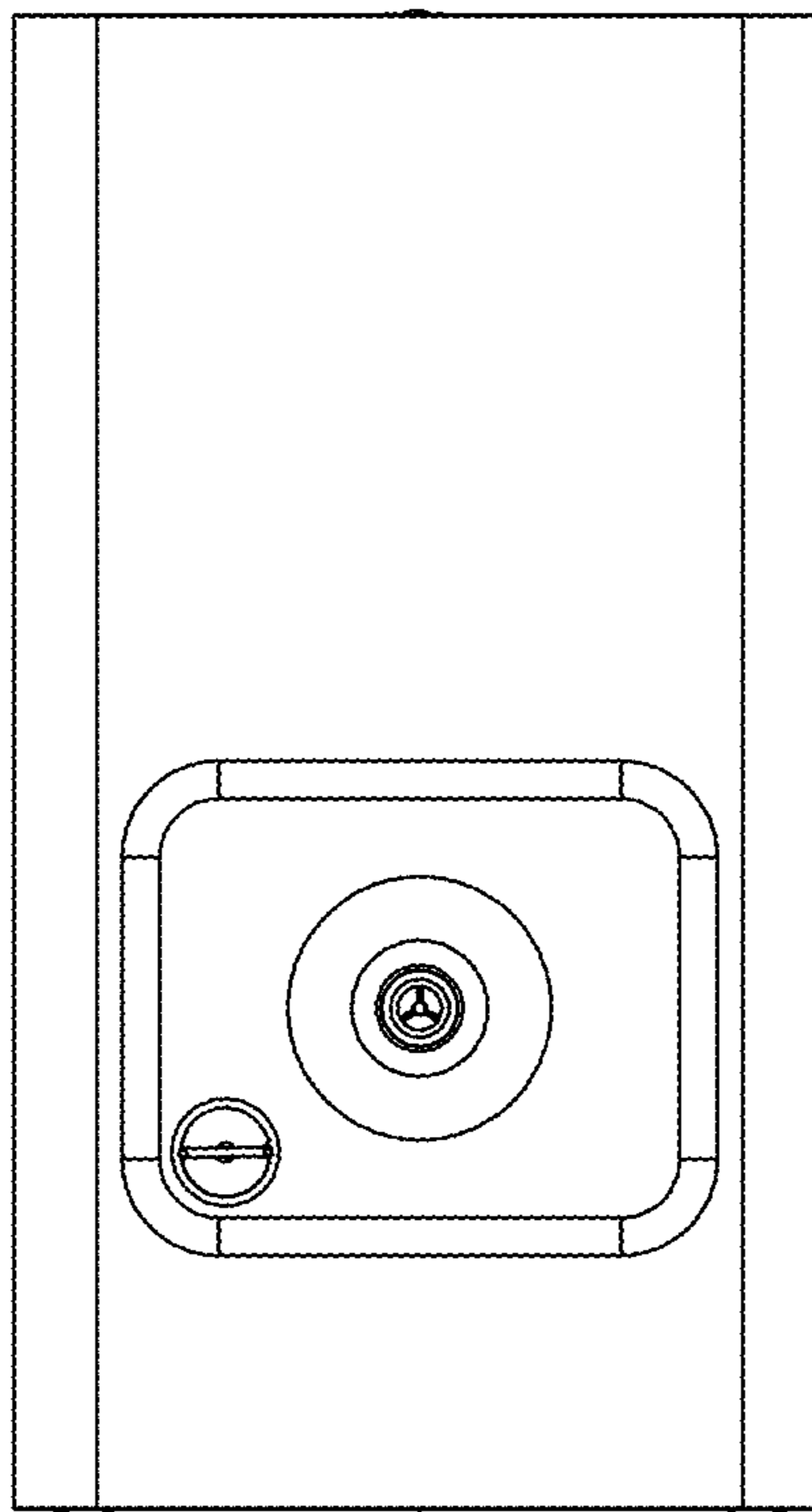


FIG. 7

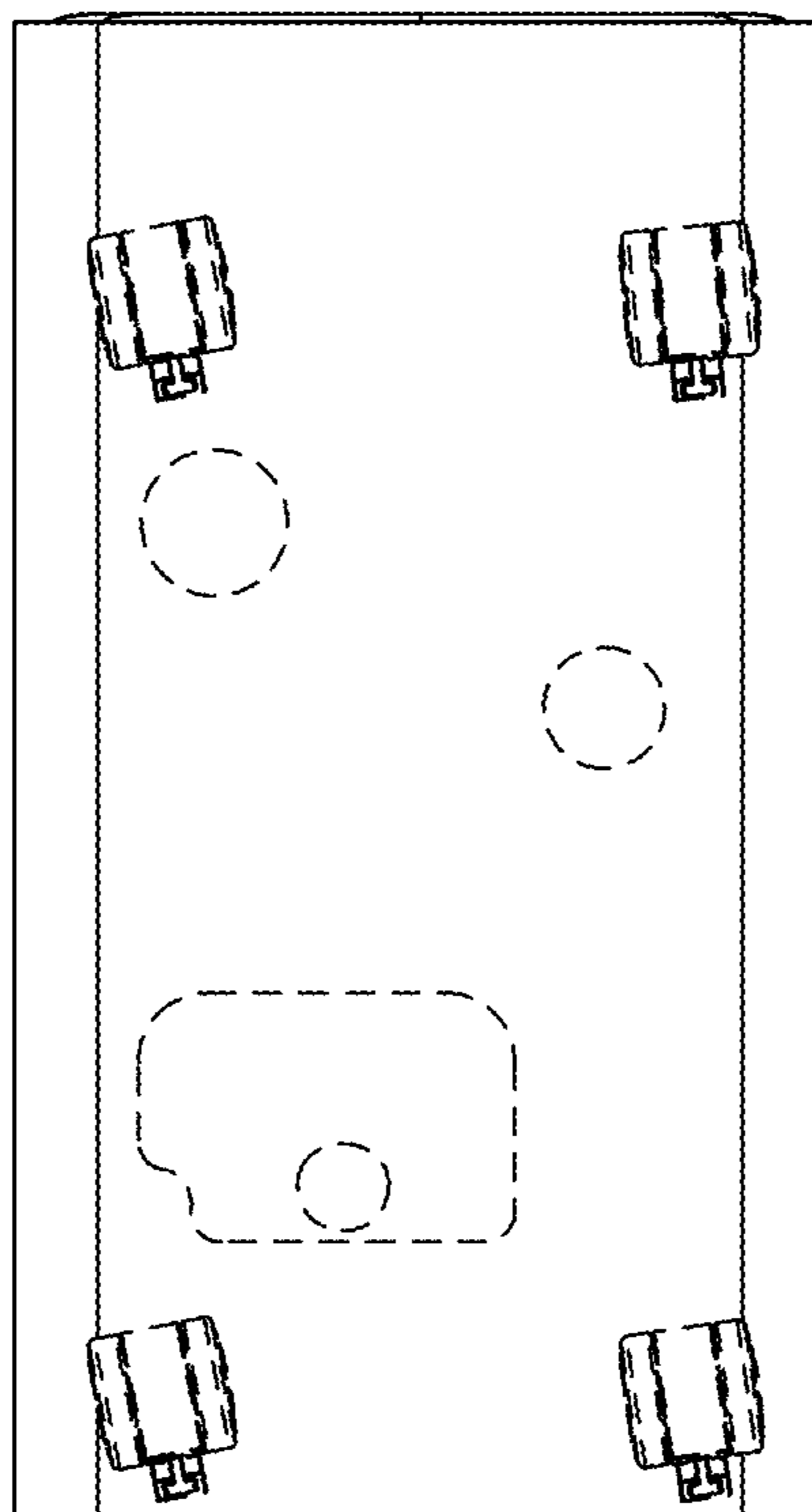


FIG. 8

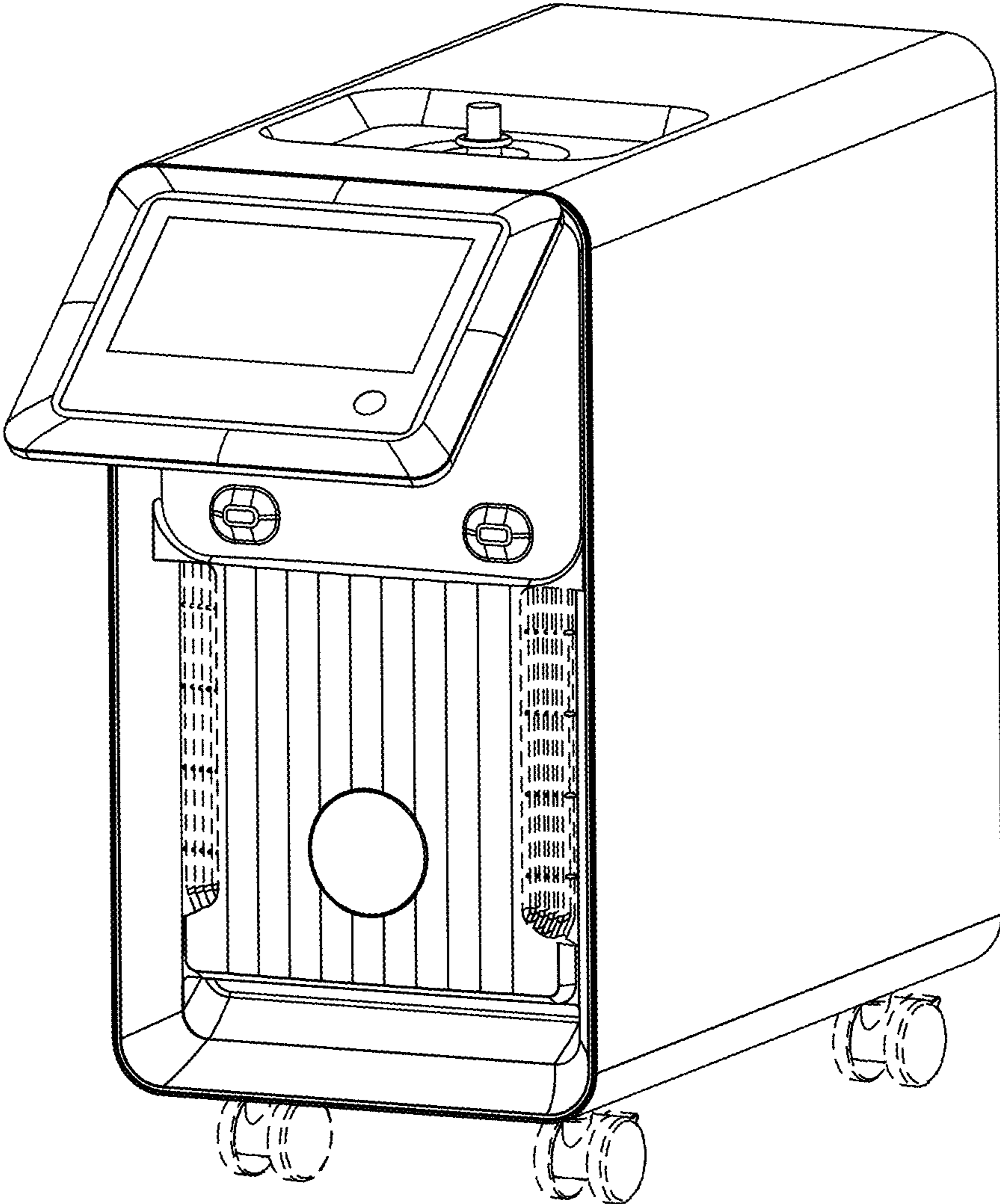


FIG. 9