



US0D1021746S

(12) **United States Design Patent** (10) **Patent No.:** **US D1,021,746 S**
Denatale, Jr. et al. (45) **Date of Patent:** **** Apr. 9, 2024**

(54) **SNORKEL FOR A VEHICLE**

(71) Applicant: **Ford Global Technologies, LLC**,
Dearborn, MI (US)

(72) Inventors: **Joseph F. Denatale, Jr.**, Royal Oak, MI
(US); **Dong Park**, Canton, MI (US);
James A. Marleau, Jr., Canton, MI
(US)

(73) Assignee: **Ford Global Technologies, LLC**,
Dearborn, MI (US)

(**) Term: **15 Years**

(21) Appl. No.: **29/813,412**

(22) Filed: **Oct. 28, 2021**

(51) **LOC (14) Cl.** **12-16**

(52) **U.S. Cl.**
USPC **D12/400**; D15/5

(58) **Field of Classification Search**
USPC D15/5; D12/82, 86, 93, 163, 167, 169,
D12/170, 171, 172, 173, 196, 203, 400;
D21/424, 433, 495, 533, 580, 833
CPC B60J 5/10; B60J 5/102; B60J 5/103; B60J
5/107; B60K 11/00; B60K 11/08; B60K
13/02; B60R 3/00; B60R 3/002; B60R
3/007; B60R 3/02; B60R 9/02; B60R
9/06; B60R 19/00; B60R 19/02; B60R
19/04; B60R 19/12; B60R 19/18; B60R
19/24; B60R 19/26; B60R 19/44; B60R
19/48; B60R 19/52; B60R 19/56; B60R
2019/007; B60R 2019/026; B60R
2019/1813; B60R 2019/1833; B60R
2019/1886; B60R 2019/25; B60R
2019/525; B60R 2019/527; B60R
2021/343; B60R 21/34; B62D 33/023;
B62D 33/0273; B62D 33/03; B62D
33/033; B62D 33/037; B62D 33/06;
B62D 33/0612; B62D 35/00; B62D
35/001; B62D 35/02; B62D 37/02; B62D
39/00; B62D

(Continued)

(56) **References Cited**

U.S. PATENT DOCUMENTS

D670,743 S * 11/2012 Ewringmann D15/28
D687,072 S * 7/2013 Bennett D15/5

(Continued)

FOREIGN PATENT DOCUMENTS

CN 202030528345.0 * 3/2021
NZ 427407 * 6/2020

OTHER PUBLICATIONS

Hooniverse, posted Feb. 10, 2022 [online], [retrieved May 16,
2023]. Retrieved from internet, <https://hooniverse.com/ford-bronco-everglades-snorkel-is-rather-ingenuous/> (Year: 2022).*

(Continued)

Primary Examiner — Garth Rademaker
Assistant Examiner — Aaron C Fowler

(74) *Attorney, Agent, or Firm* — Marla Johnston

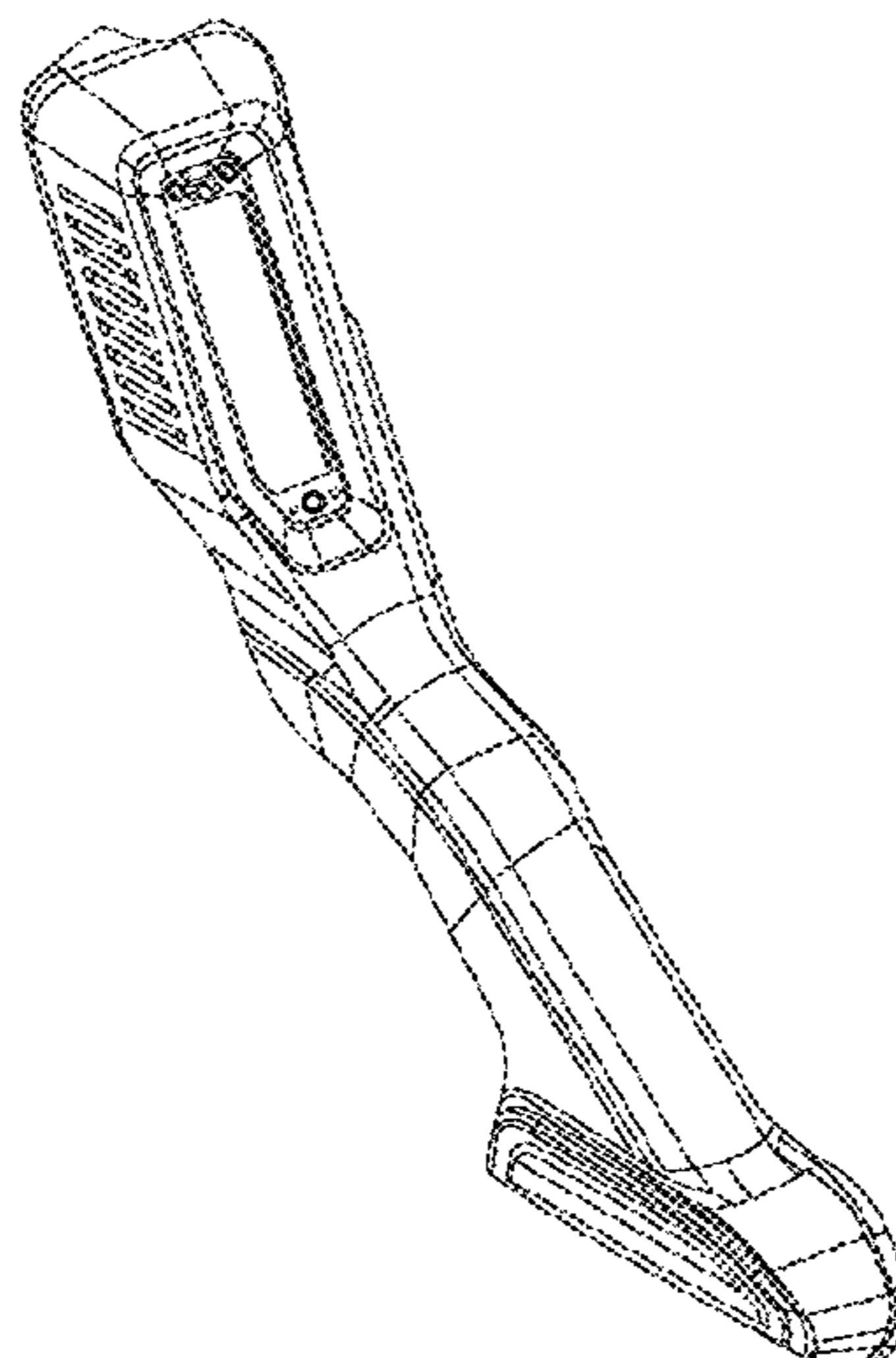
(57) **CLAIM**

The ornamental design for a snorkel for a vehicle, as shown
and described.

DESCRIPTION

FIG. 1 is a front left perspective view of a snorkel for a
vehicle, showing our new design;
FIG. 2 is a right rear perspective view thereof;
FIG. 3 is a left side elevation view thereof;
FIG. 4 is a right side elevation view thereof;
FIG. 5 is a front elevational view thereof;
FIG. 6 is a rear elevational view thereof;
FIG. 7 is a top plan view thereof; and,
FIG. 8 is a bottom plan view thereof.
The broken lines show a claim boundary. Neither the broken
lines themselves nor the area within the broken lines form
any part of the claimed design.

1 Claim, 8 Drawing Sheets



(58) **Field of Classification Search**

CPC 65/16; F02M 35/00; F02M 35/02; F02M 35/044; F02M 35/10; F02M 35/10006; F02M 35/10013; F02M 35/10039; F02M 35/10052; F02M 35/10078; F02M 35/10085; F02M 35/10091; F02M 35/10144; F02M 35/10262; F02M 35/10321; F02M 35/10334; F02M 35/10347; F02M 35/10354; F02M 35/104; F02M 35/112; F02M 35/116; F02M 35/12; F02M 35/14; F02M 35/16; F02M 35/161; F02M 35/164; F24F 13/082

See application file for complete search history.

(56) **References Cited**

U.S. PATENT DOCUMENTS

D693,370 S * 11/2013 Randhawa D15/5
D719,190 S * 12/2014 Berry D12/400

D752,109 S * 3/2016 Harriton D15/5
D774,101 S * 12/2016 Delgado D15/5
10,428,773 B1 * 10/2019 Bennett B60K 13/02
D883,331 S * 5/2020 Wickes D15/5
D896,844 S * 9/2020 Wickes D15/5
D948,390 S * 4/2022 Bonet Molledo D12/163
D967,199 S * 10/2022 Ketterhagen D15/28
D969,170 S * 11/2022 Bonet Molledo D15/5
2015/0240760 A1 * 8/2015 Lewington F02M 35/10013
55/447
2021/0115884 A1 * 4/2021 Ketterhagen F02M 35/08
2021/0190019 A1 * 6/2021 Vite Cadena F02M 35/10006

OTHER PUBLICATIONS

Bronco6g, posted Sep. 29, 2022 [online], [retrieved May 16, 2023].
Retrieved from internet, <https://www.bronco6g.com/forum/threads/airaid-snorkel-is-coming-soon-first-look.57157/> (Year: 2022).*

* cited by examiner

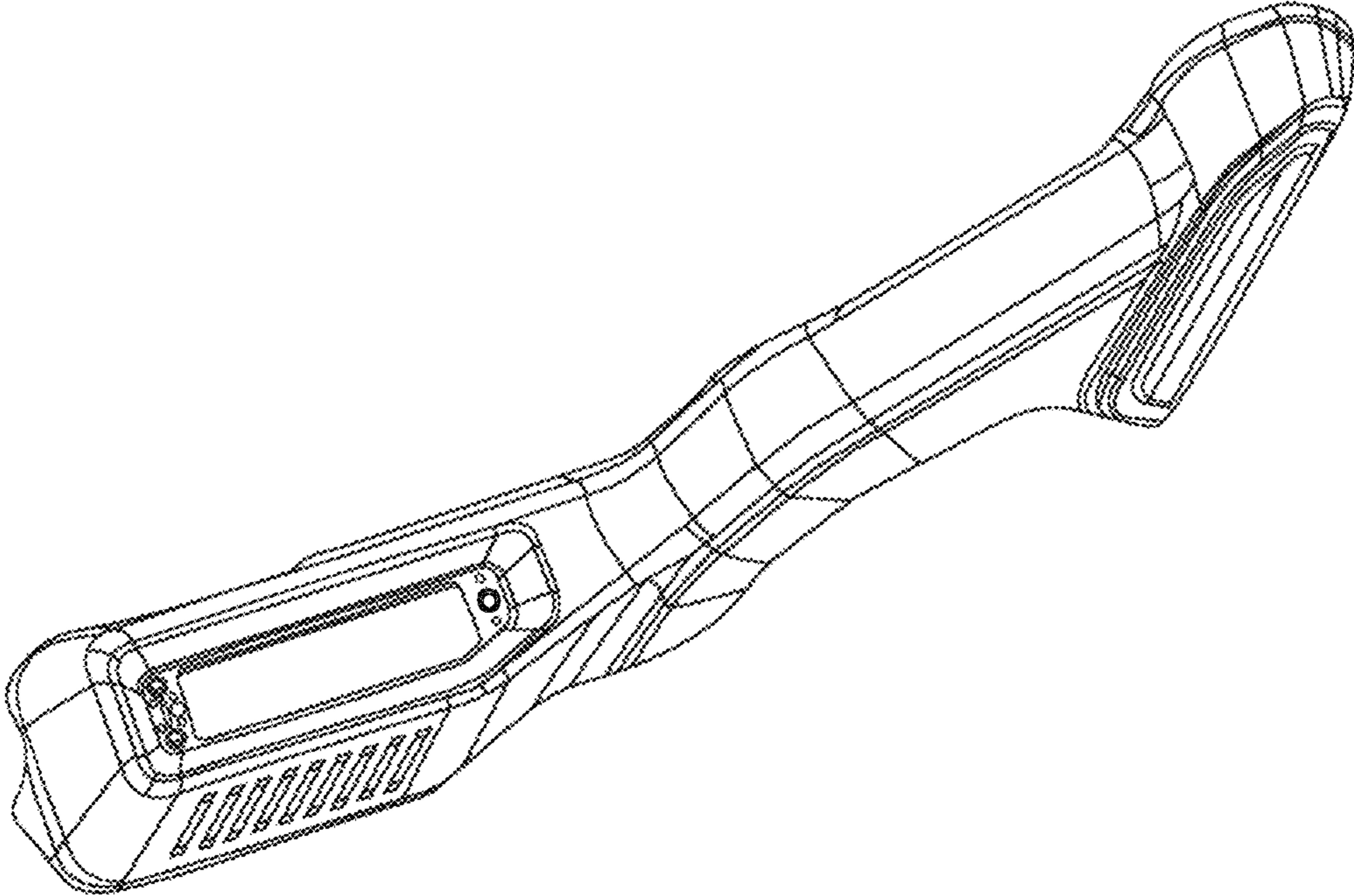


Fig. 1

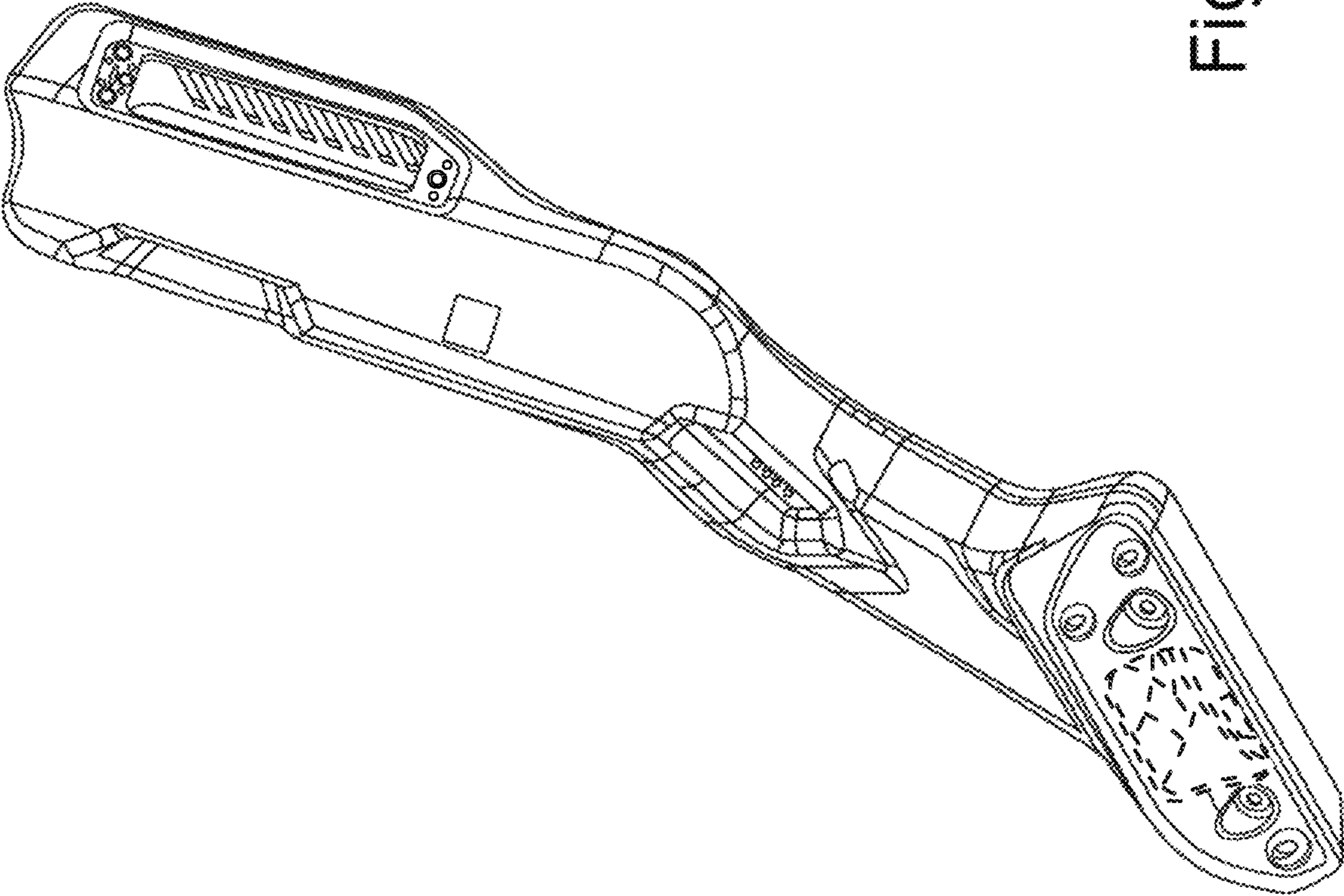


FIG. 2

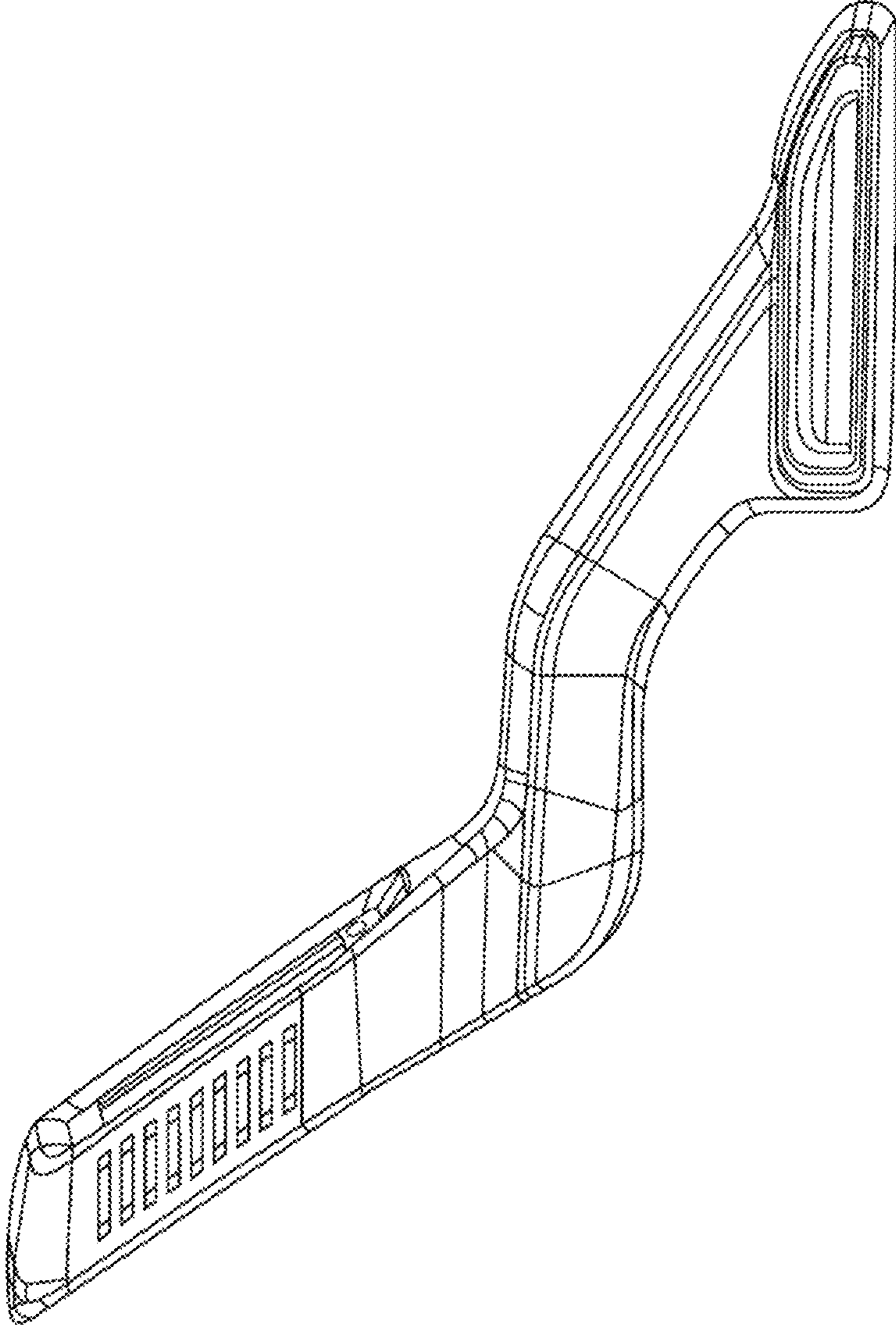


Fig. 3

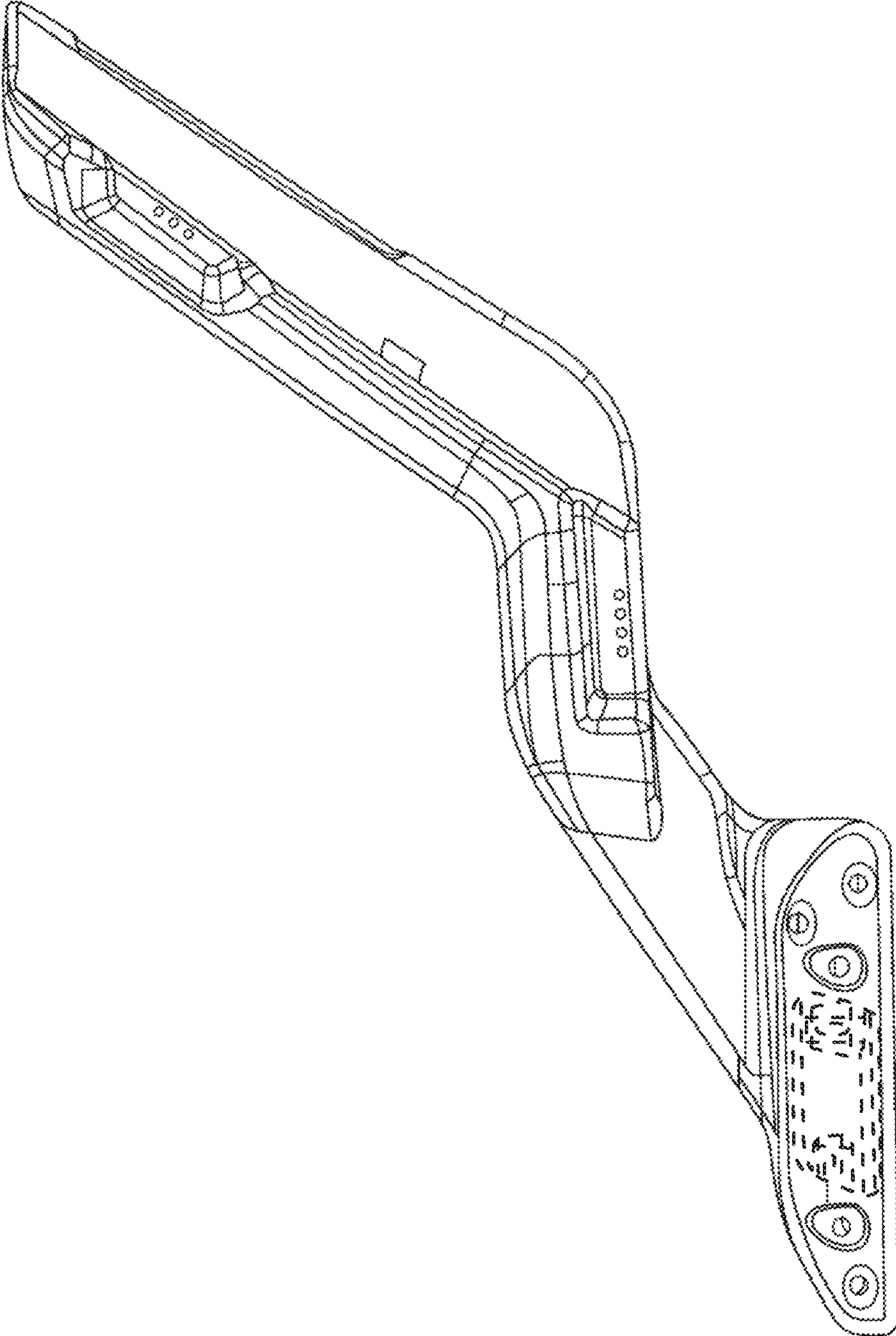


Fig. 4

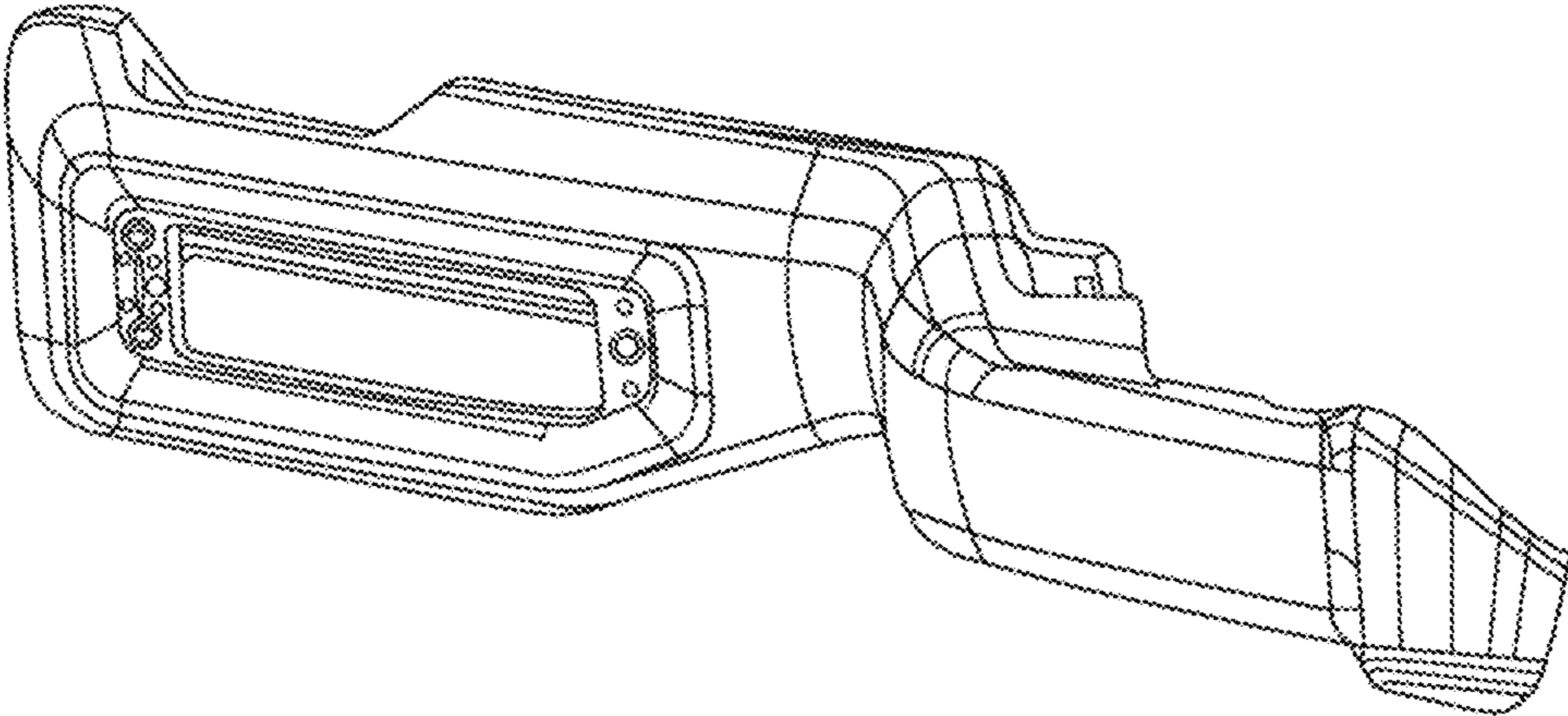


Fig. 5

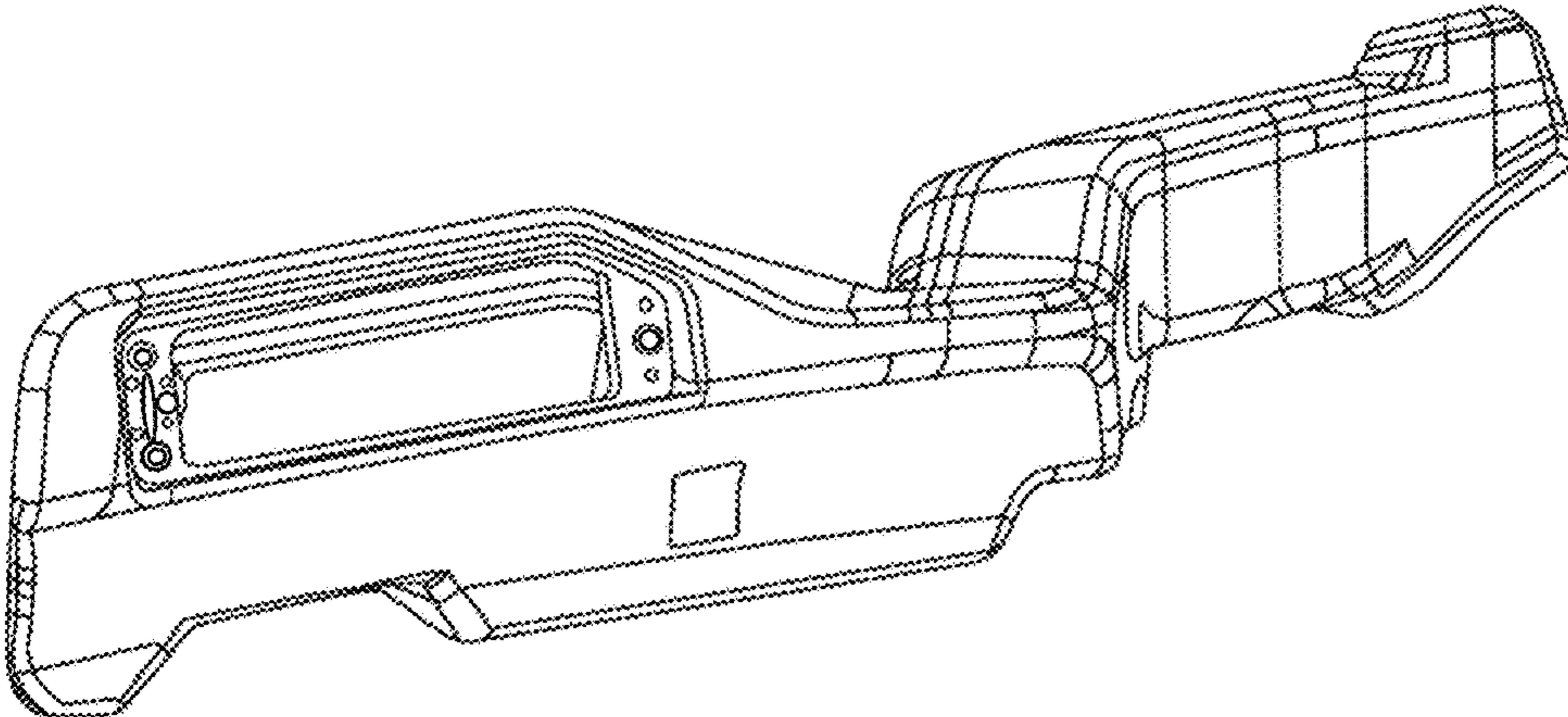


Fig. 6

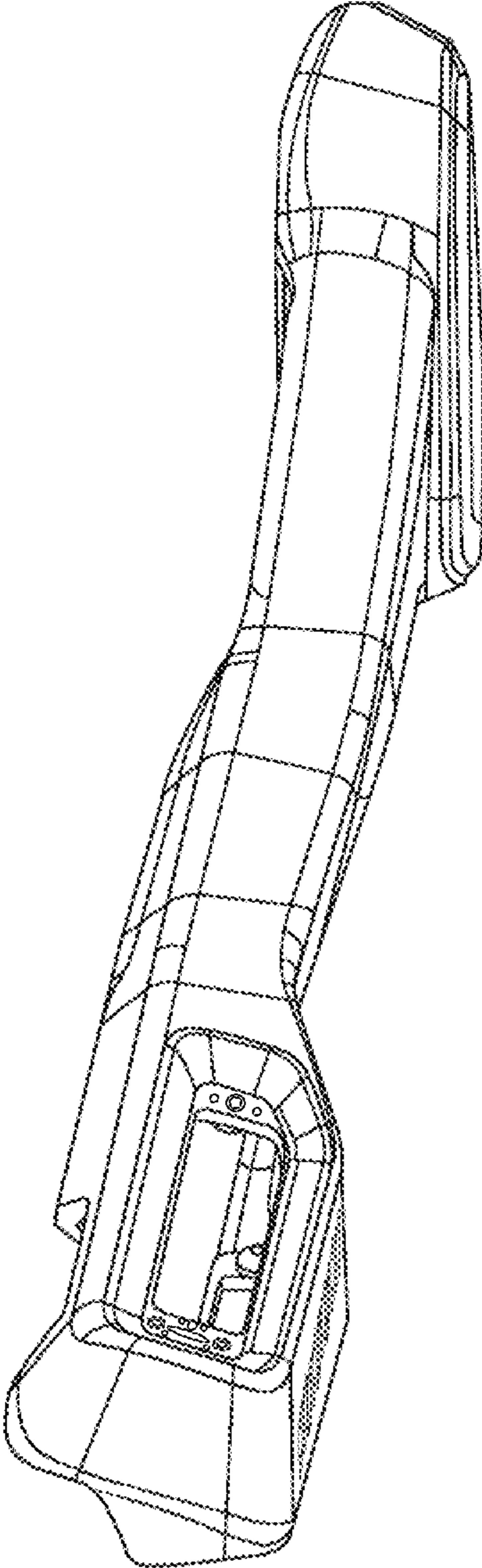


Fig. 7

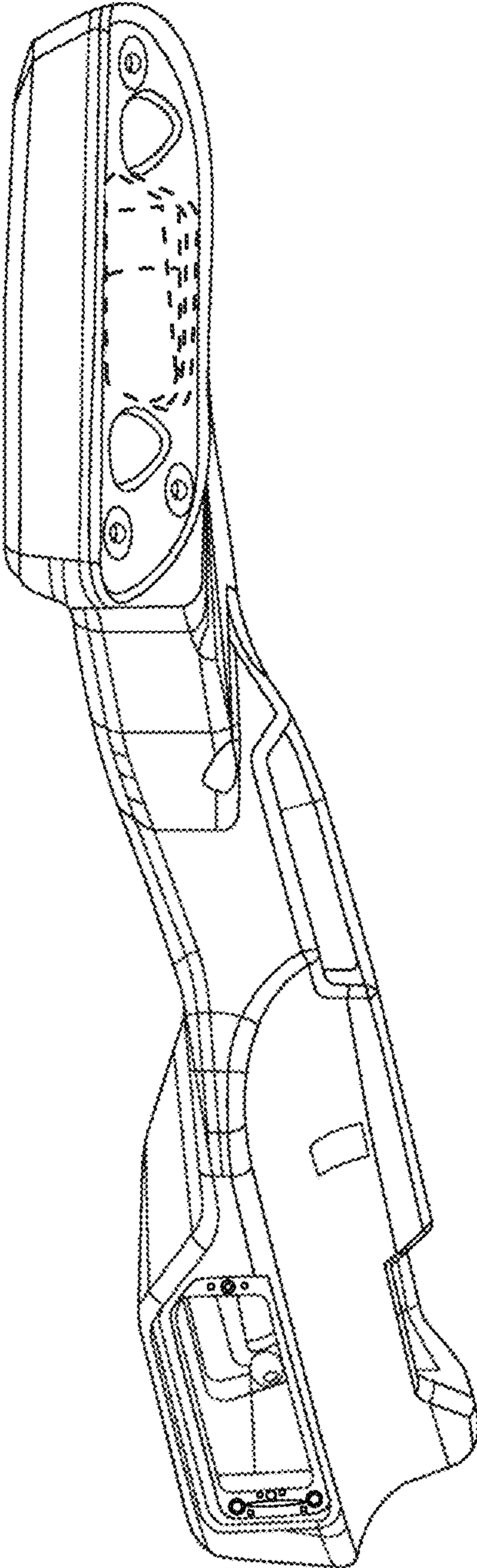


Fig. 8