



US0D1021705S

(12) **United States Design Patent** (10) **Patent No.:** **US D1,021,705 S**
Alcindor (45) **Date of Patent:** **** Apr. 9, 2024**

- (54) **VEHICLE DOOR GUARD**
- (71) Applicant: **Patrick Alcindor**, Fort Lee, NJ (US)
- (72) Inventor: **Patrick Alcindor**, Fort Lee, NJ (US)
- (**) Term: **15 Years**
- (21) Appl. No.: **29/867,127**
- (22) Filed: **Oct. 11, 2022**
- (51) **LOC (14) Cl.** **12-16**
- (52) **U.S. Cl.**
USPC **D12/167**
- (58) **Field of Classification Search**
USPC D12/126, 167, 171, 184, 190, 196
CPC B60R 13/02; B60R 19/445; B60R 13/043
See application file for complete search history.

- 2013/0328333 A1* 12/2013 Jordan B60R 13/04
293/128
- 2014/0367983 A1* 12/2014 Capitina B60R 19/38
293/128
- 2015/0123412 A1* 5/2015 Kim B60R 13/043
293/128
- 2016/0207475 A1* 7/2016 Ardrey B60R 13/04
- 2019/0047499 A1* 2/2019 Villegas B60R 13/043
- 2021/0053509 A1* 2/2021 Oko B60R 13/043
- 2022/0266768 A1* 8/2022 Rodriguez B60R 13/043
- 2023/0070911 A1* 3/2023 Lecky B60R 19/42

OTHER PUBLICATIONS

Luv-Tap, Door Guards, retrieved from internet, retrieved on Oct. 11, 2022, <URL: <https://luv-tap.com/collections/door-guards>>.

* cited by examiner

Primary Examiner — Joseph Kukella
Assistant Examiner — Lavon M. Amerson

(56) **References Cited**

U.S. PATENT DOCUMENTS

- 3,659,887 A * 5/1972 Marquette B60R 13/04
293/120
- 4,461,503 A * 7/1984 Melby B60R 13/04
293/118
- D308,848 S * 6/1990 Genicoff D12/190
- 4,974,892 A * 12/1990 Huard B60Q 5/006
293/128
- 5,037,148 A * 8/1991 Kennedy B60R 13/04
293/128
- D328,272 S * 7/1992 Hasmanis D12/169
- D335,271 S * 5/1993 Davis D12/167
- D358,358 S * 5/1995 Burroughs D12/167
- D386,458 S * 11/1997 Smith D12/167
- D446,484 S * 8/2001 Martel B60R 13/04
D12/167
- D598,351 S * 8/2009 Schlater D12/190
- D613,220 S * 4/2010 Ikeda D12/190
- D636,312 S * 4/2011 Matei D12/190
- D950,434 S * 5/2022 Hrevnack D12/167
- 2010/0295325 A1* 11/2010 Curtis B60R 13/043
293/124

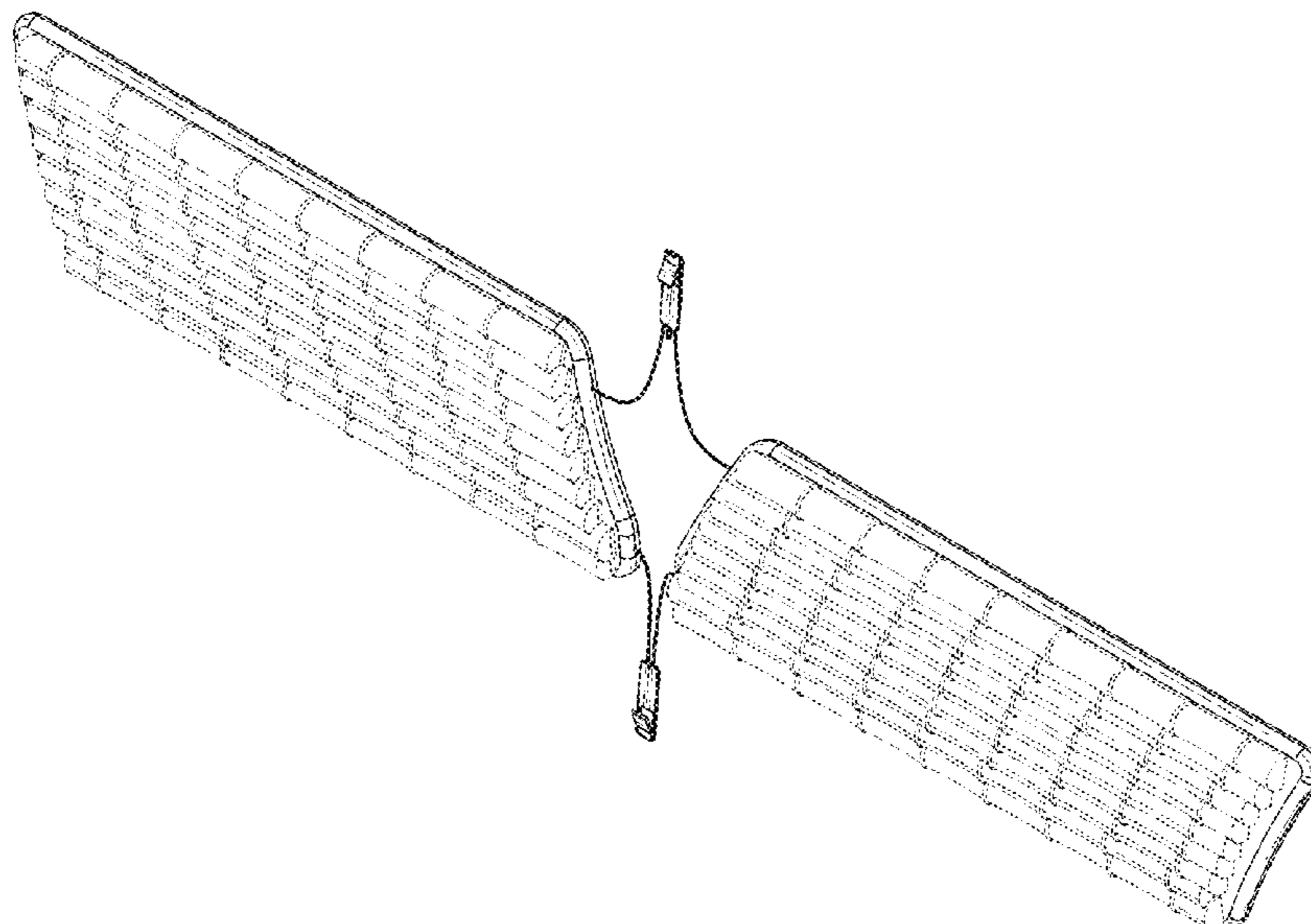
(57) **CLAIM**

The ornamental design for a vehicle door guard, as shown and described.

DESCRIPTION

FIG. 1 is a front-top perspective view of a vehicle door guard showing my new design;
FIG. 2 is a front-bottom perspective view thereof;
FIG. 3 is a rear-top perspective view thereof;
FIG. 4 is a front elevational view thereof;
FIG. 5 is a rear elevational view thereof;
FIG. 6 is a left elevational view thereof;
FIG. 7 is a right elevational view thereof;
FIG. 8 is a top plan view thereof; and,
FIG. 9 is a bottom plan view thereof.
The broken lines in the drawings illustrate portions of the vehicle door guard which form no part of the claimed design.

1 Claim, 9 Drawing Sheets



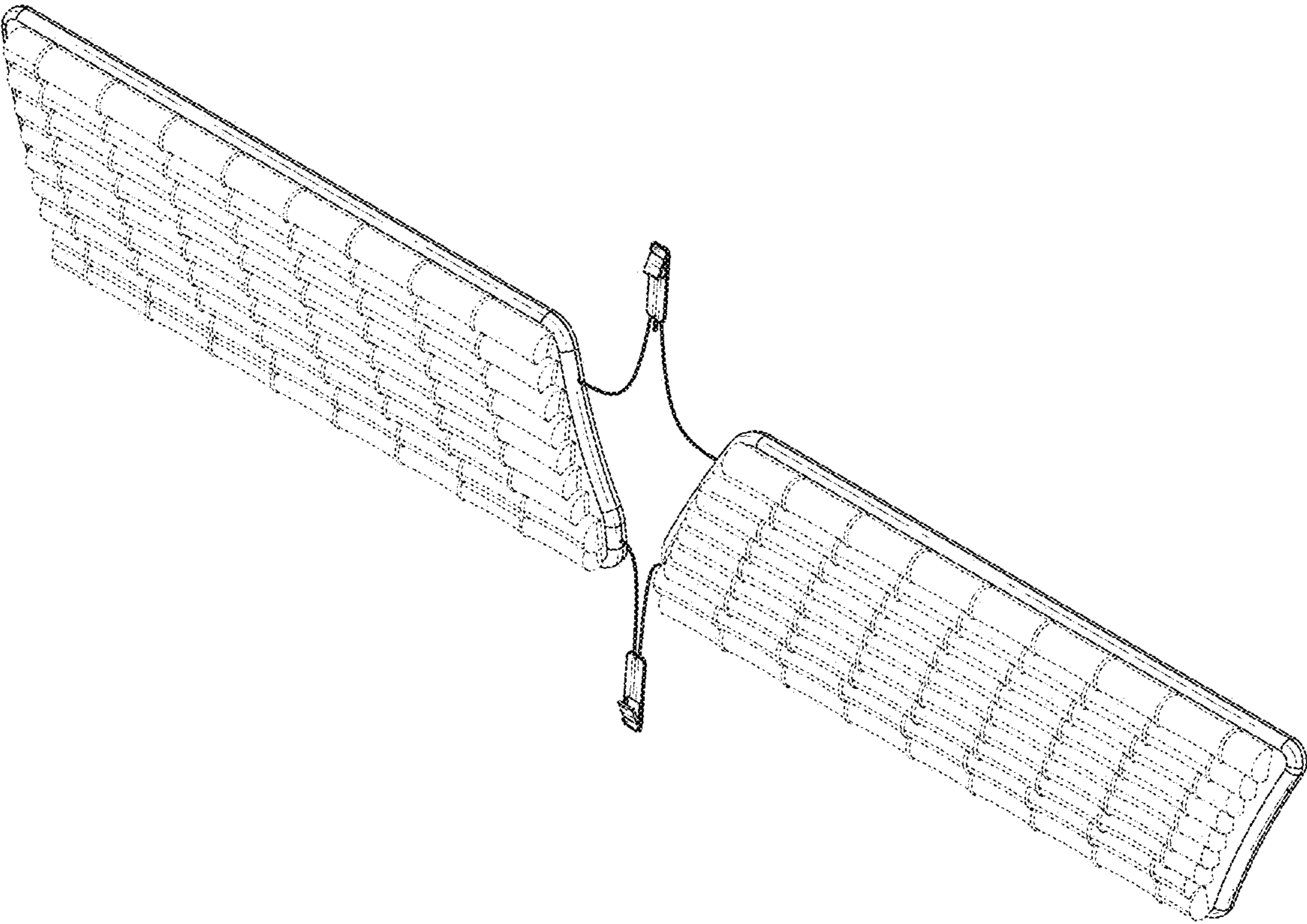


FIG. 1

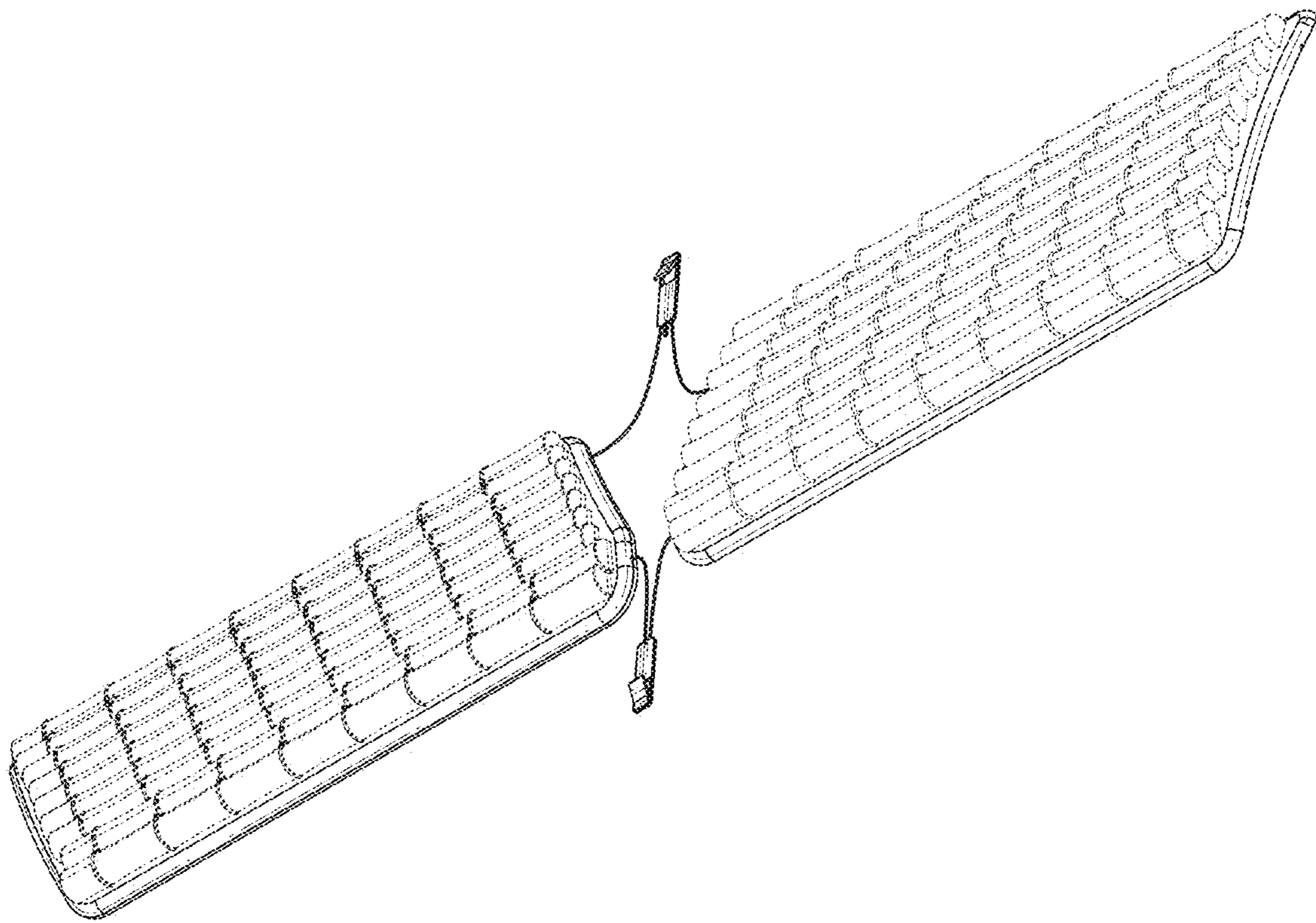


FIG. 2

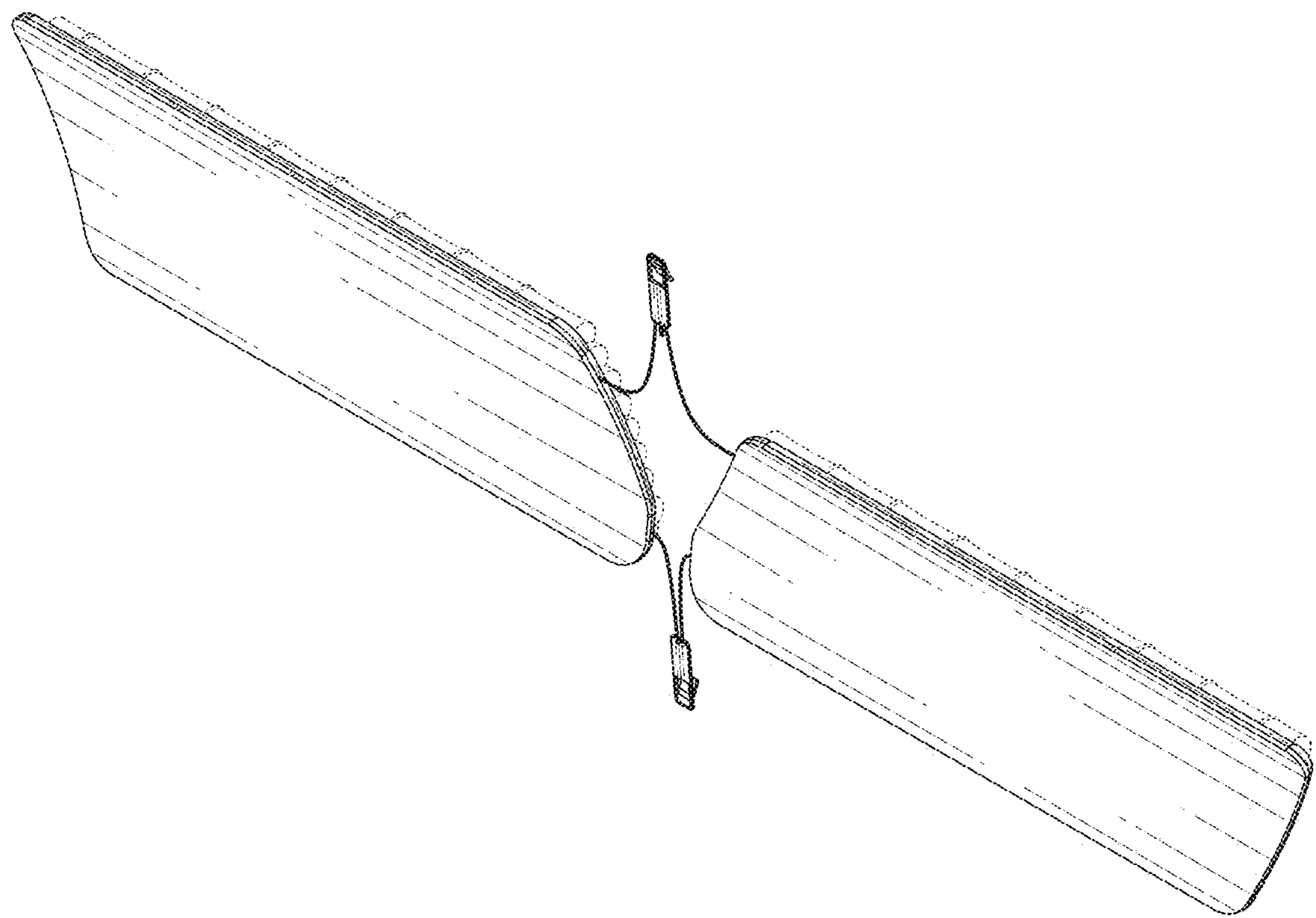


FIG. 3

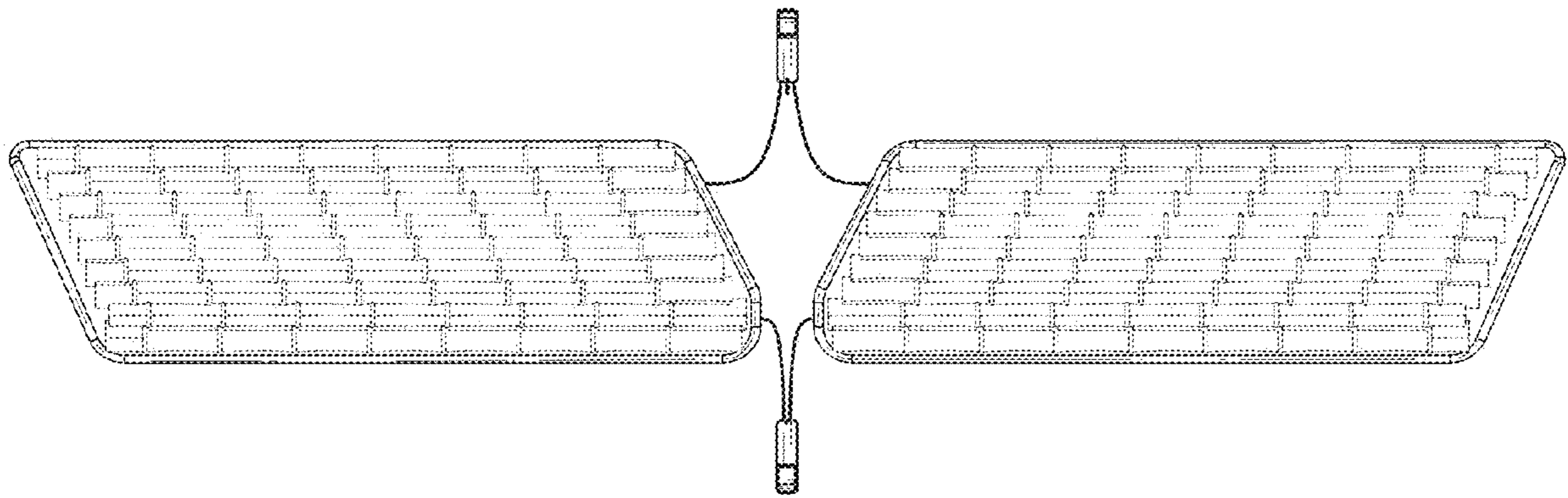


FIG. 4

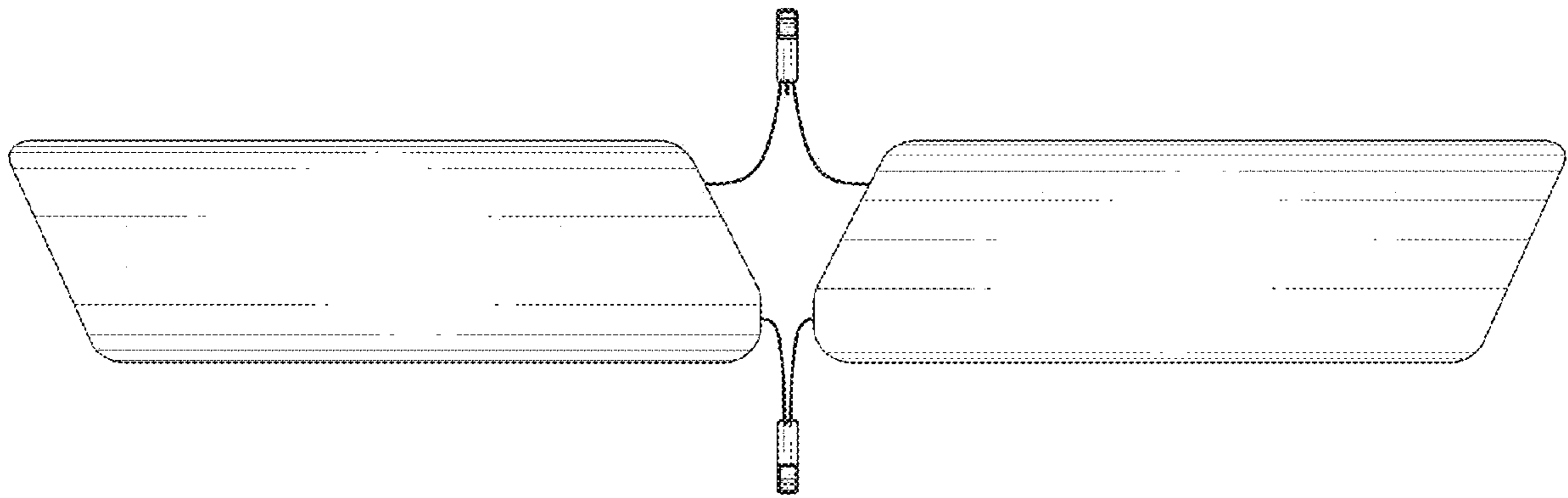


FIG. 5



FIG. 6

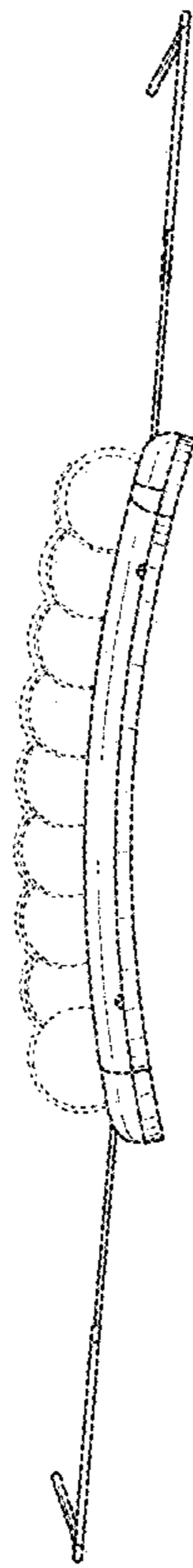


FIG. 7



FIG. 8



FIG. 9