



US0D1021689S

(12) **United States Design Patent** (10) **Patent No.:** **US D1,021,689 S**  
**Lee et al.** (45) **Date of Patent:** **\*\* Apr. 9, 2024**

(54) **ROBOT FOR DELIVERY OF GOODS**  
(71) Applicant: **NEUBILITY**, Seoul (KR)  
(72) Inventors: **Sang Min Lee**, Seoul (KR); **Hyun Gon Kim**, Hwaseong-si (KR); **Ki Joon Seong**, Seoul (KR); **Jin Bum Kim**, Seoul (KR)

D969,191 S \* 11/2022 Lee ..... D15/199  
D969,192 S \* 11/2022 Lee ..... D15/199  
D971,980 S \* 12/2022 Sato ..... D15/199  
D991,302 S \* 7/2023 Cho ..... D15/199  
D1,001,862 S \* 10/2023 Okhman ..... D15/199  
2022/0266933 A1\* 8/2022 Kim ..... B62D 57/028  
2023/0322038 A1\* 10/2023 Zavadsky ..... B60G 7/028  
280/5.514

(73) Assignee: **NEUBILITY**, Seoul (KR)  
(\*\*) Term: **15 Years**

(21) Appl. No.: **29/849,204**  
(22) Filed: **Aug. 9, 2022**  
(51) **LOC (14) Cl.** ..... **12-07**  
(52) **U.S. Cl.**  
USPC ..... **D12/1**  
(58) **Field of Classification Search**  
USPC ..... D12/1, 14, 86, 88, 90, 91; D7/605, 606,  
D7/629; D15/199; D34/34  
CPC ..... B25J 5/007; B25J 11/008; B60G 5/01;  
B60G 2300/07; B62D 61/10; G05D  
1/0238; G05D 1/0214; Y10S 901/01  
See application file for complete search history.

(56) **References Cited**

**U.S. PATENT DOCUMENTS**

D821,265 S \* 6/2018 Mäkelä ..... D3/271.12  
D824,976 S \* 8/2018 Mäkelä ..... D15/199  
D856,849 S \* 8/2019 Mäkelä ..... D12/86  
D857,117 S \* 8/2019 Venancio ..... D21/578  
D866,393 S \* 11/2019 Asai ..... D12/1  
D868,863 S \* 12/2019 Mäkelä ..... D15/199  
D883,354 S \* 5/2020 Jafarzadeh ..... D15/199  
D917,341 S \* 4/2021 Katz ..... D12/86  
D919,686 S \* 5/2021 Mäkelä ..... D15/199  
11,104,294 B1\* 8/2021 Skaloud ..... B62D 24/04  
11,164,273 B2\* 11/2021 Heinla ..... G06Q 10/0832  
D966,142 S \* 10/2022 Okado ..... D12/1  
D966,373 S \* 10/2022 Han ..... D15/199

**OTHER PUBLICATIONS**

South Korea to Allow Delivery Robots on Public Roads, Feb. 16, 2022, Nikkei Asia Webpage [online], [Site Visit Nov. 6, 2023], URL: <https://asia.nikkei.com/Business/Technology/South-Korea-to-allow-delivery-robots-on-public-roads-in-2023> (Year: 2022).  
Meet Neubie The Self-Driving Delivery Robot, Sep. 5, 2022, YouTube [online], [Site Visit Nov. 6, 2023], URL: <https://www.youtube.com/watch?v=QpnVyxif6r4&t=4s> (Year: 2022).  
Grace Period Inventor-Originated Disclosure—35 USC 102(b)(1)(A), Oct. 5, 2021, 2 pgs.

\* cited by examiner

*Primary Examiner* — Calvin E Vansant  
*Assistant Examiner* — Giang Hoang Tran  
(74) *Attorney, Agent, or Firm* — Sughrue Mion, PLLC

(57) **CLAIM**

The ornamental design for a robot for delivery of goods, as shown and described.

**DESCRIPTION**

FIG. 1 is a perspective view of a robot for delivery of goods showing my new design;  
FIG. 2 is a front view thereof;  
FIG. 3 is a rear view thereof;  
FIG. 4 is a left side view thereof;  
FIG. 5 is a right side view thereof;  
FIG. 6 is a top view thereof; and,  
FIG. 7 is a bottom view thereof.

**1 Claim, 7 Drawing Sheets**

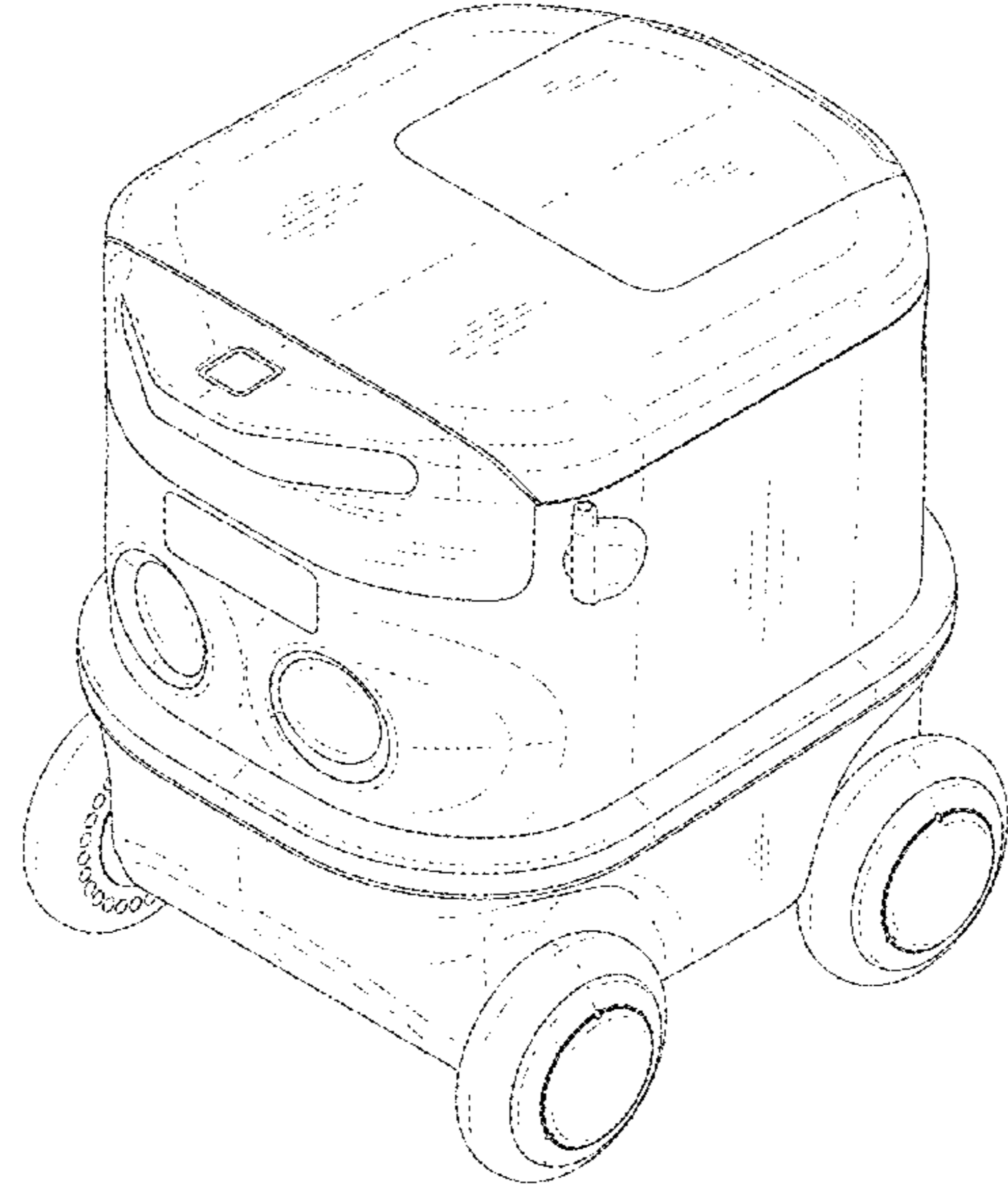


FIG. 1

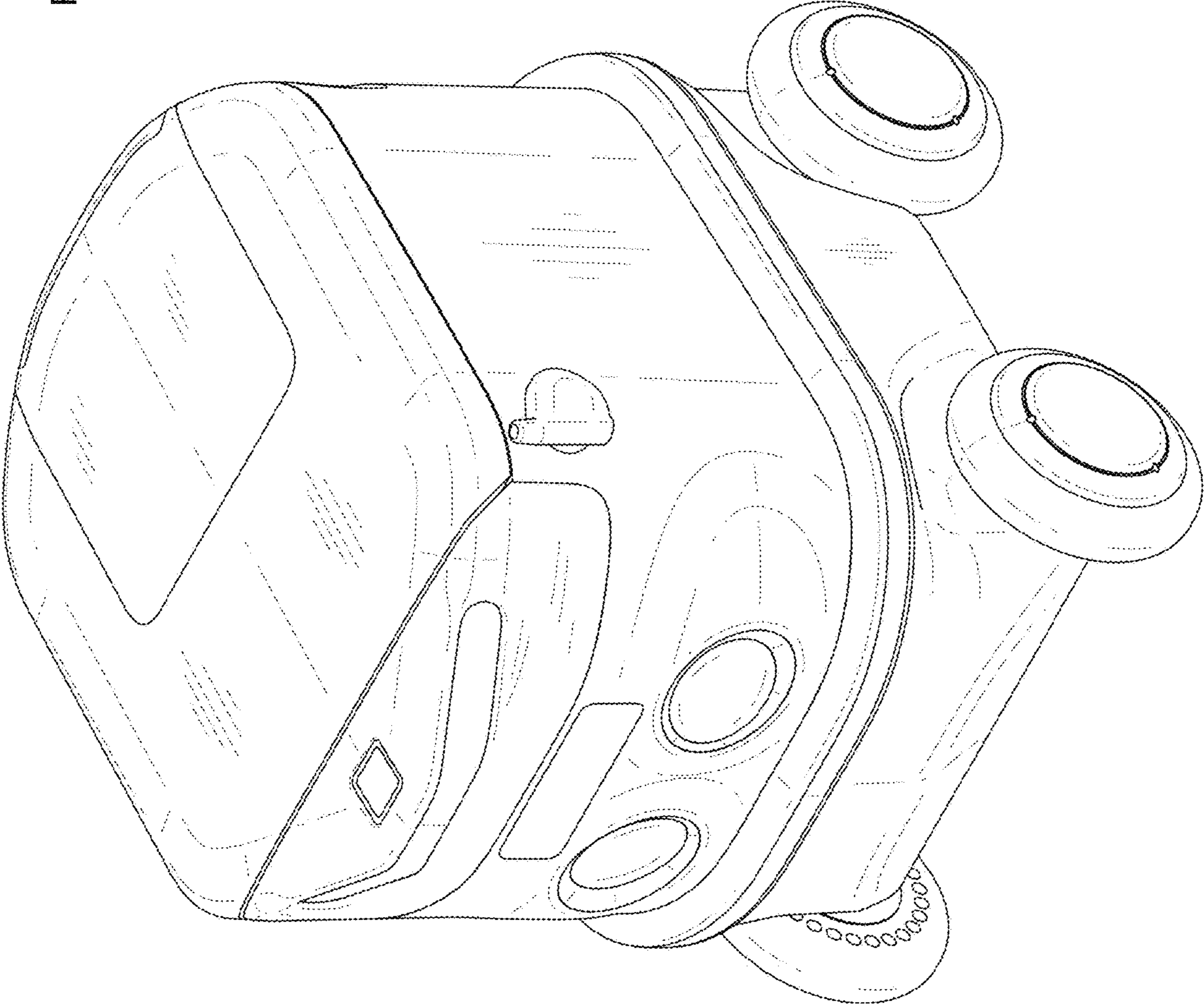


FIG. 2

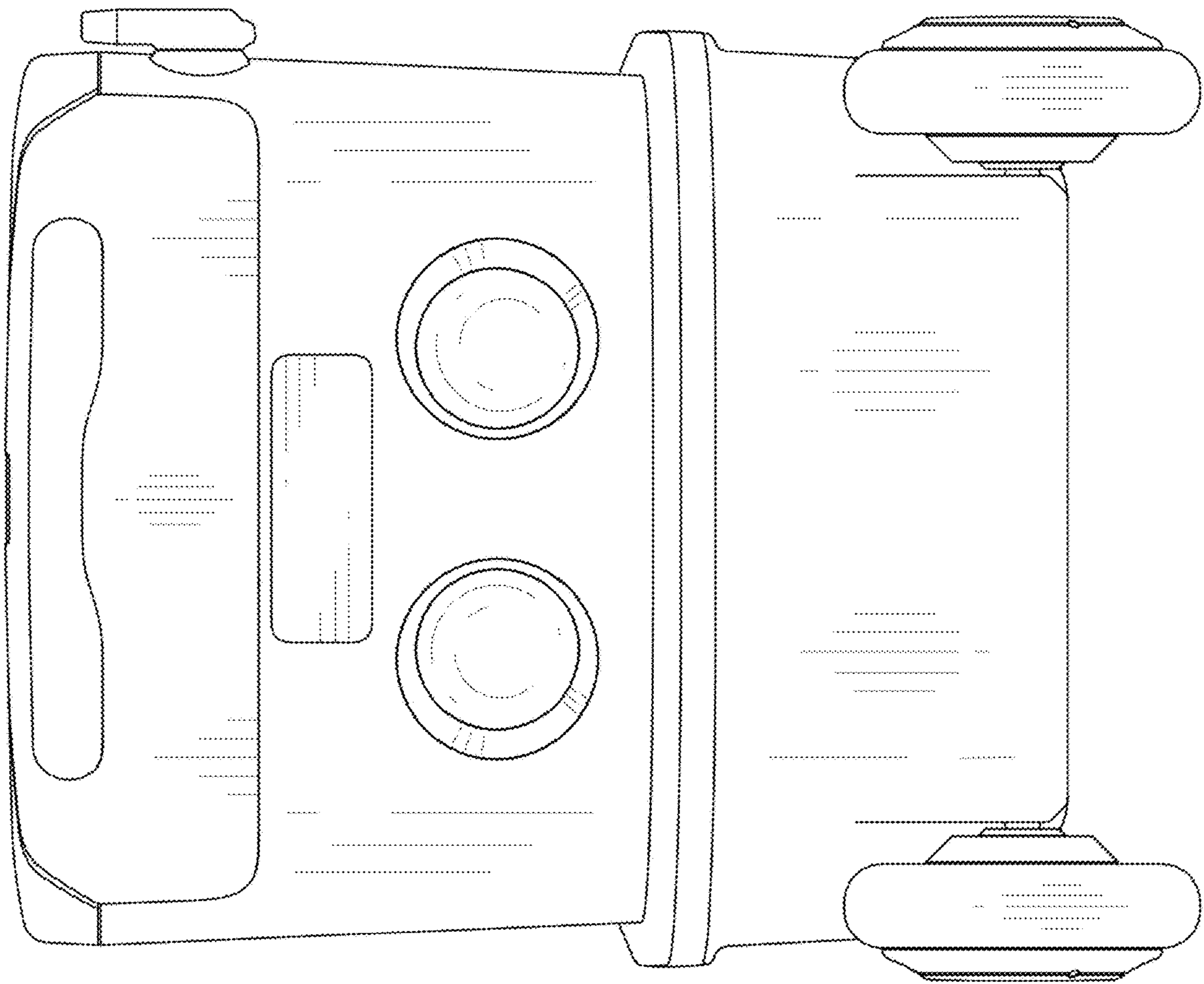




FIG. 3

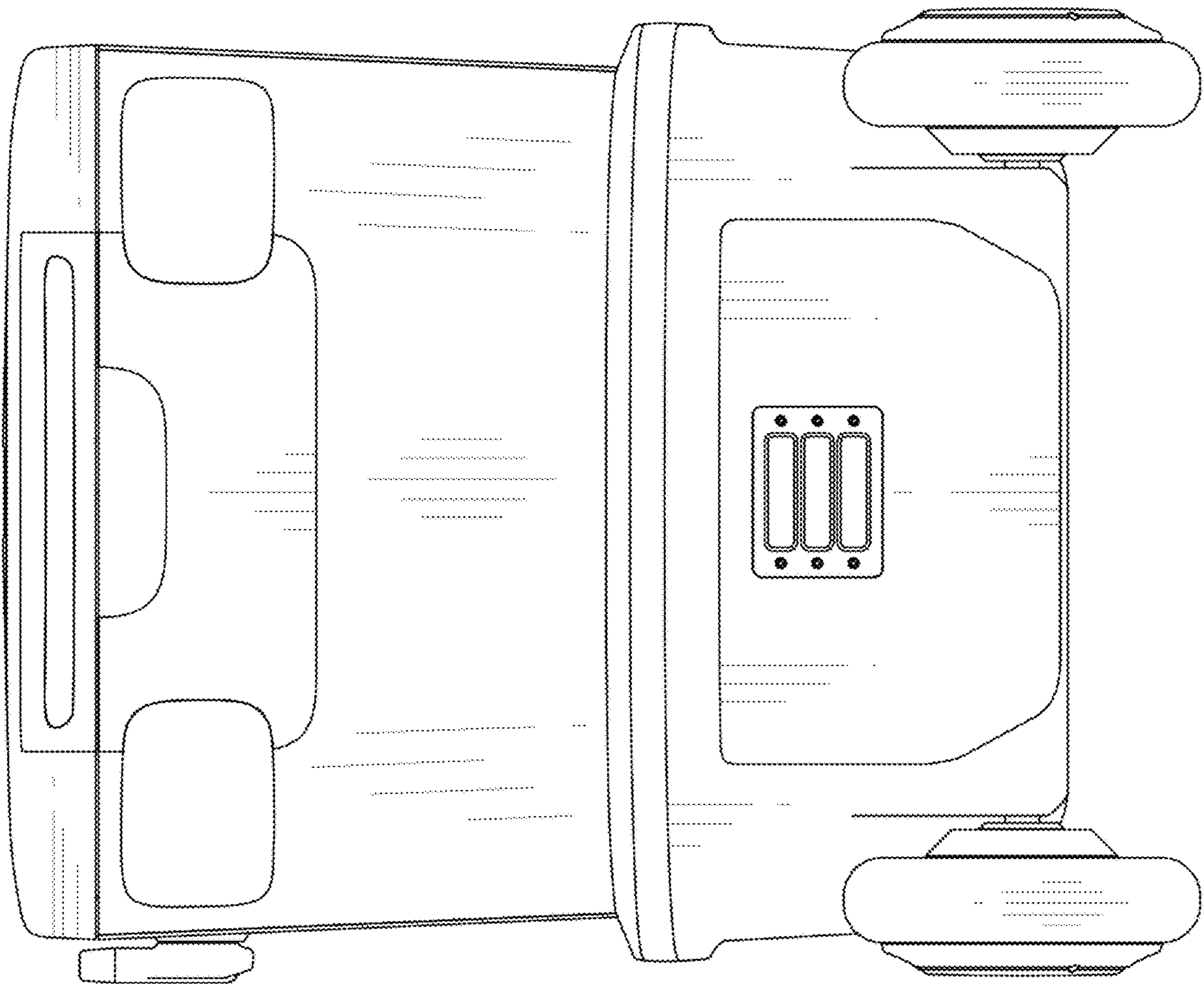


FIG. 4

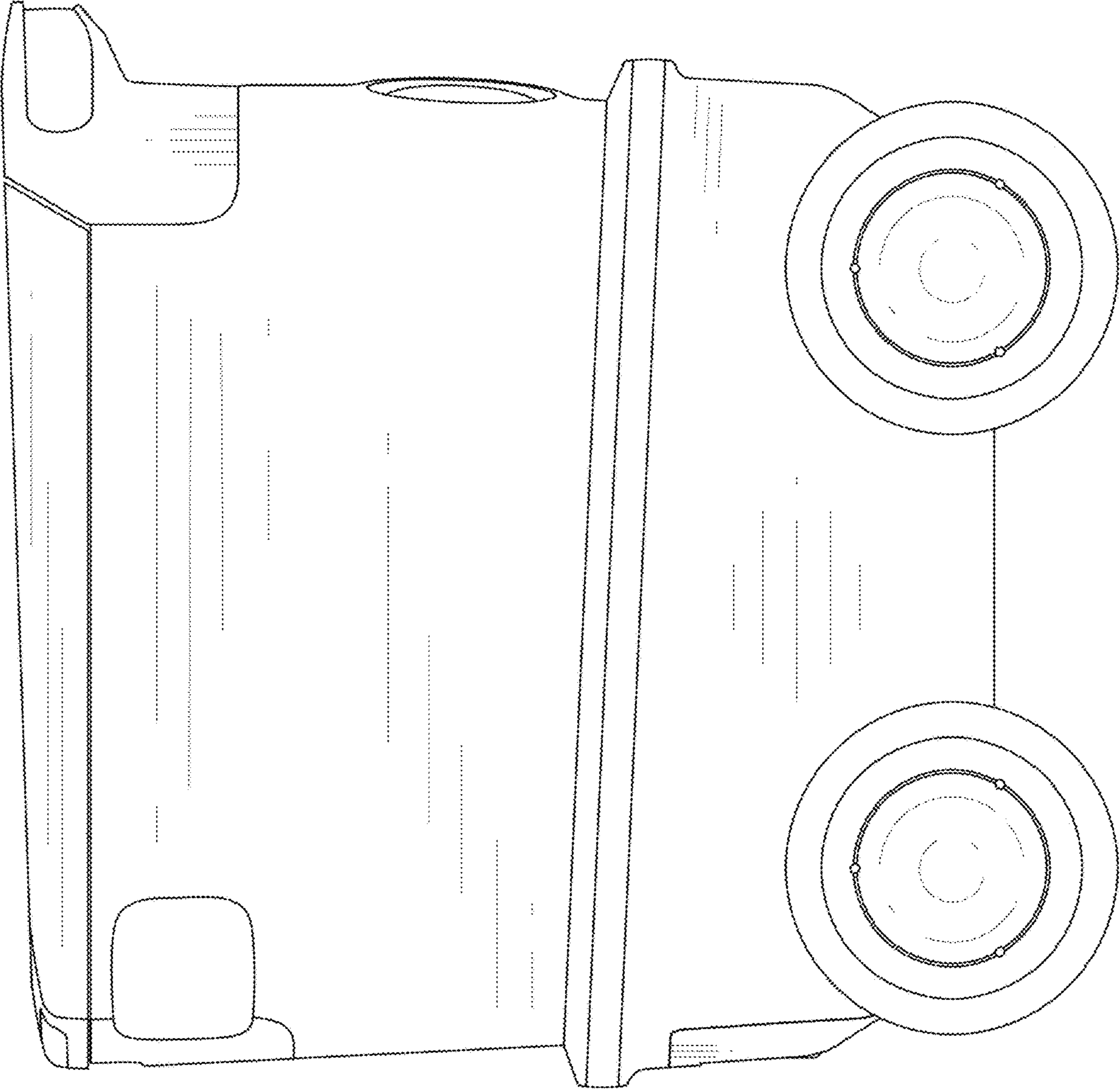


FIG. 5

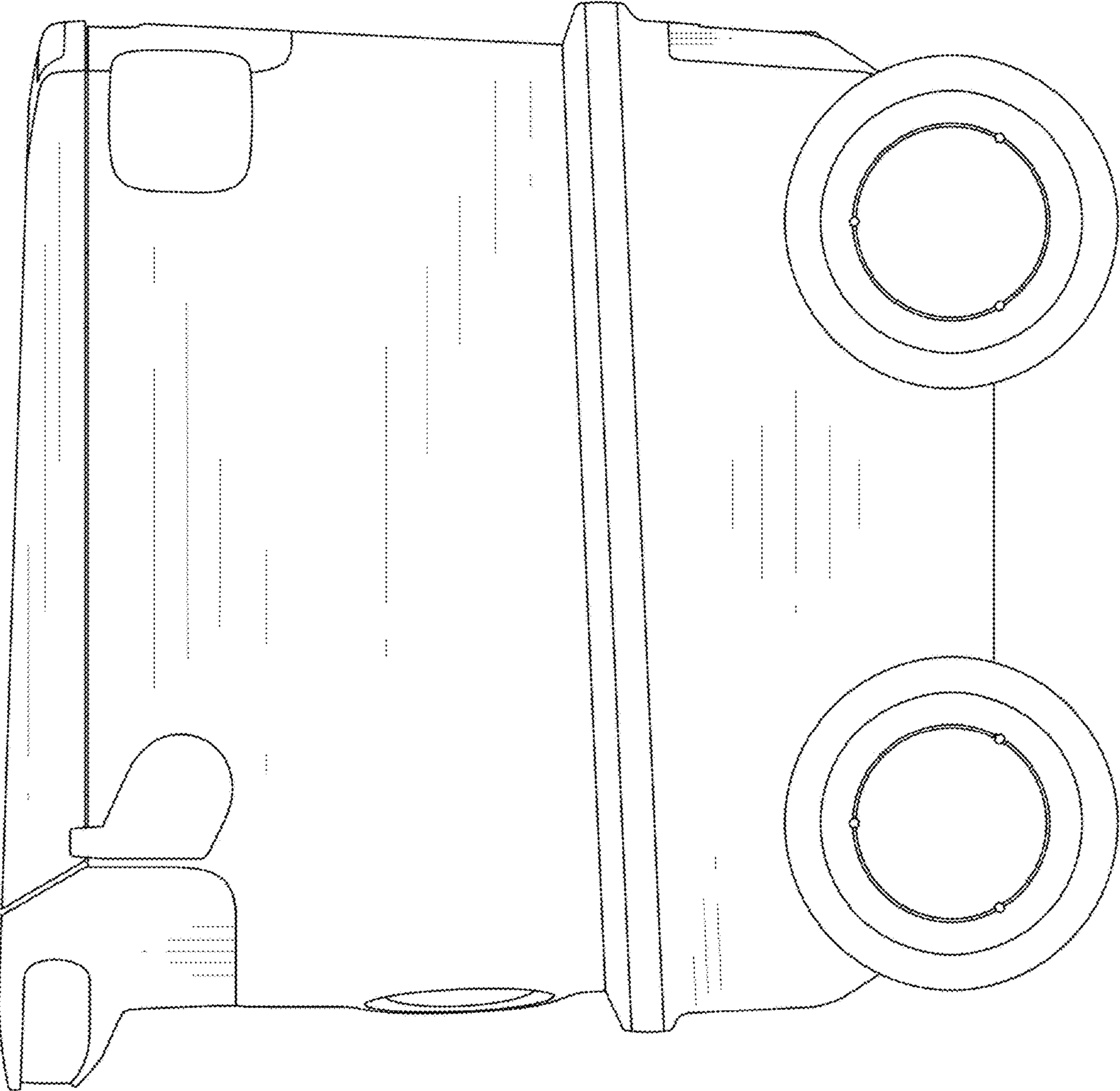


FIG. 6

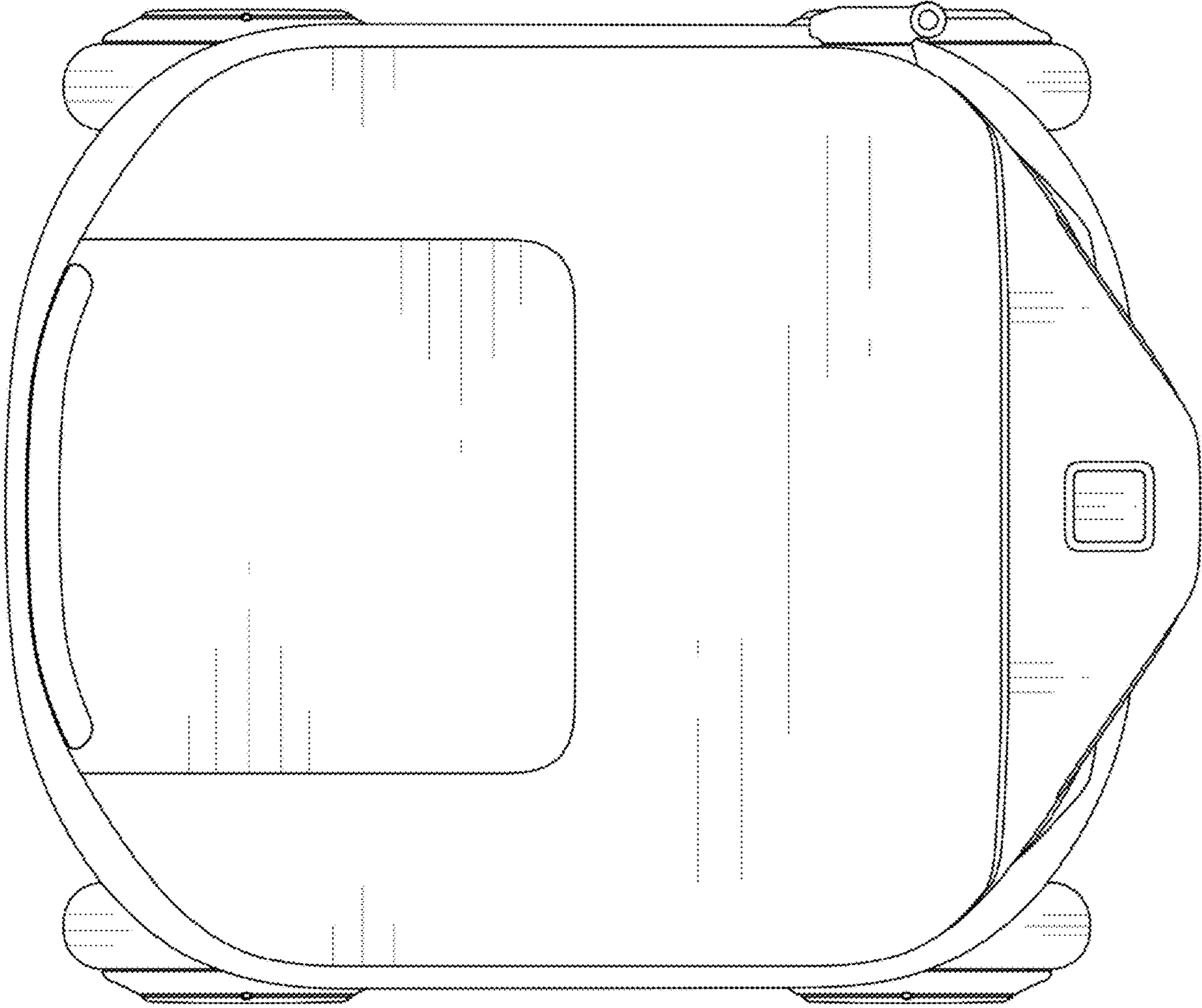


FIG. 7

