



US0D1021613S

(12) **United States Design Patent** (10) **Patent No.:** **US D1,021,613 S**
Jansen van Vuuren et al. (45) **Date of Patent:** **** Apr. 9, 2024**

(54) **BUILDING MATERIAL ATTACHMENT CLIP**

8,997,426 B1 * 4/2015 McLeod E04B 9/242
52/774

(71) Applicant: **0776425 B.C. LTD.**, Abbotsford (CA)

D739,221 S * 9/2015 Sendra-Gonzalez .. F16M 11/00
D8/394

(72) Inventors: **Stefanus H. Jansen van Vuuren**,
Abbotsford (CA); **Michael D. Heppell**,
Abbotsford (CA); **Aaron C. Fraser**,
Abbotsford (CA)

D793,215 S * 8/2017 Gallion D8/394
D891,904 S * 8/2020 Naugler D8/349
2020/0270857 A1 * 8/2020 Herfurth E04B 9/24
2023/0203820 A1 * 6/2023 Jansen van Vuuren
E04B 9/225
52/489.1

(73) Assignee: **0776425 B.C. LTD.**, Abbotsford (CA)

* cited by examiner

(**) Term: **15 Years**

Primary Examiner — Calvin E Vansant

(21) Appl. No.: **29/820,170**

Assistant Examiner — Benjamin L. Gray

(22) Filed: **Dec. 20, 2021**

(74) *Attorney, Agent, or Firm* — Perkins Coie LLP

(51) **LOC (14) Cl.** **08-08**

(57) **CLAIM**

(52) **U.S. Cl.**
USPC **D8/382**

The ornamental design for a building material attachment clip, as shown and described.

(58) **Field of Classification Search**
USPC D8/349, 354, 394, 382, 384, 385;
D25/68, 199, 133; D13/154; D26/138
CPC .. E04B 9/225; E04B 9/366; E04B 9/26; E04F
13/081
See application file for complete search history.

DESCRIPTION

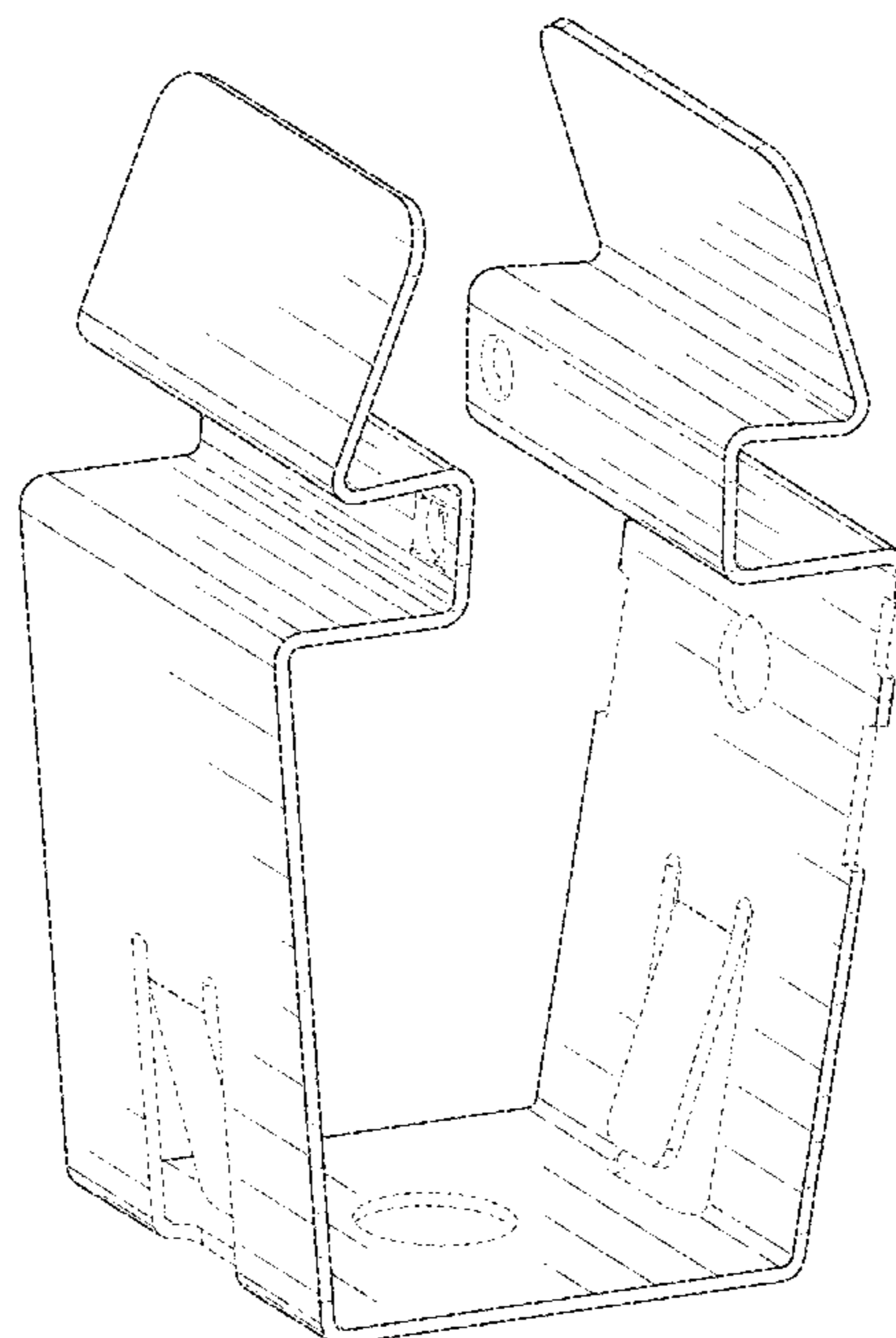
(56) **References Cited**

U.S. PATENT DOCUMENTS

3,066,903 A * 12/1962 Tinnerman F16L 3/10
24/23 R
D228,377 S * 9/1973 Martz D8/380
D229,392 S * 11/1973 Faust D8/394
4,400,922 A * 8/1983 Boyer E04D 3/3607
52/529
D306,136 S * 2/1990 Lund D8/395
D448,537 S * 9/2001 Harrah D34/35
D690,583 S * 10/2013 Sendra-Gonzalez
F24S 25/636
D8/394

FIG. 1 is a front left top perspective view of a building material attachment clip showing our new design; FIG. 2 is a front elevation view thereof; FIG. 3 is a rear elevation view thereof; FIG. 4 is a left side elevation view thereof; FIG. 5 is a right side elevation view thereof; FIG. 6 is a top plan view thereof; FIG. 7 is a bottom plan view thereof; and, FIG. 8 is a front right bottom perspective view thereof. The dashed broken lines shown in the Figures represent portions of the building material attachment clip that form no part of the claimed design. The dot-dash broken lines define the bounds of the claimed design and form no part thereof.

1 Claim, 7 Drawing Sheets



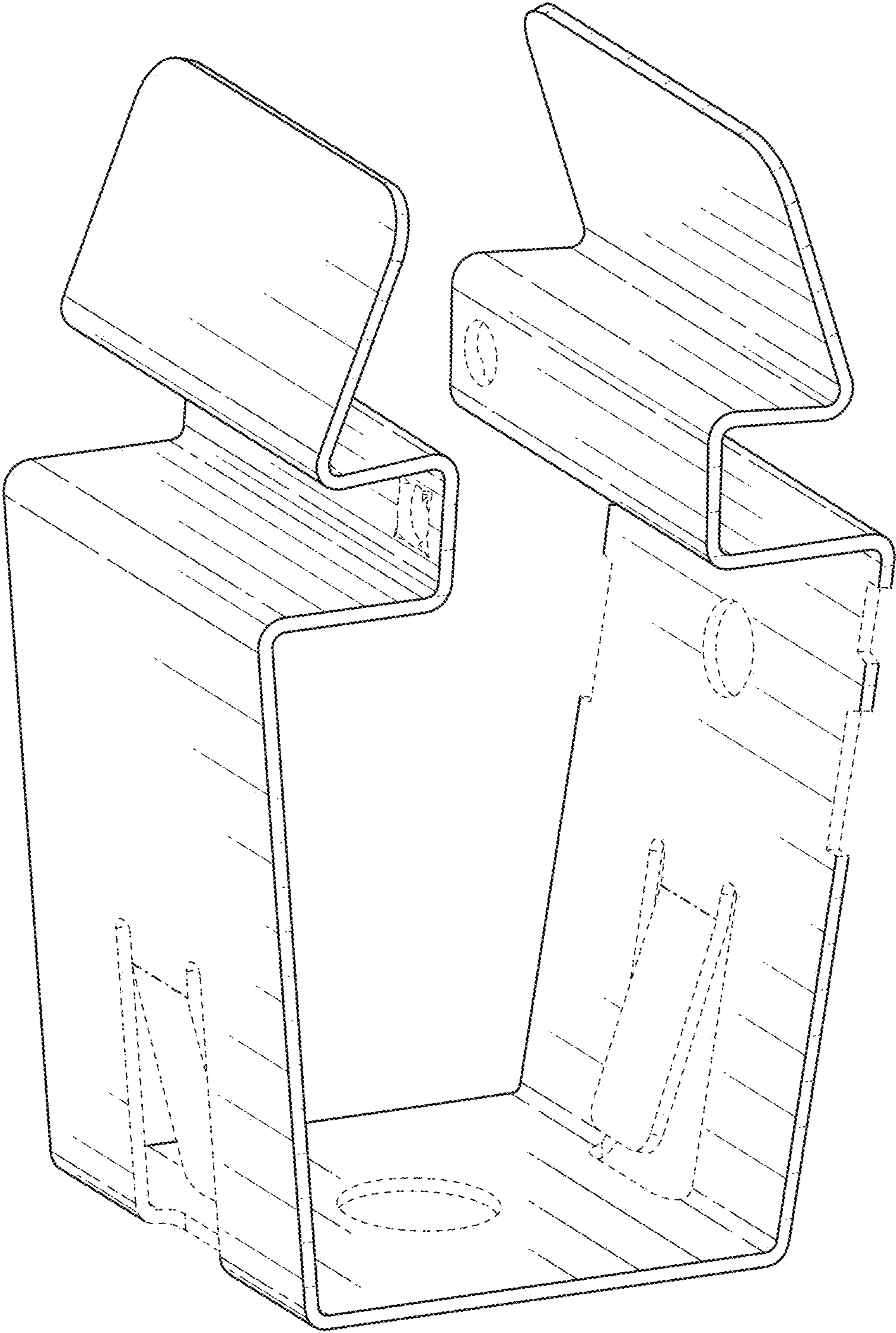


FIG. 1

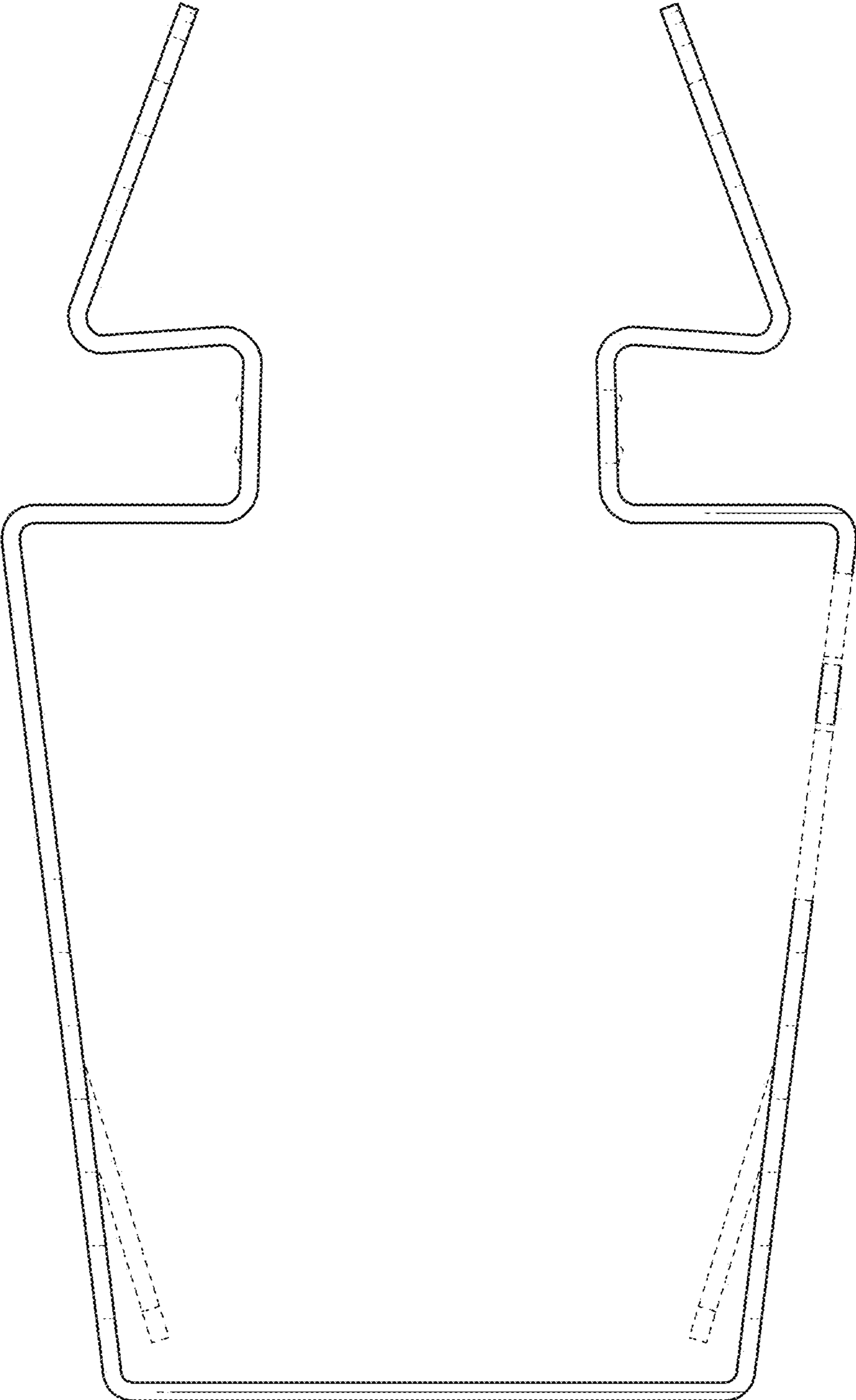


FIG. 2

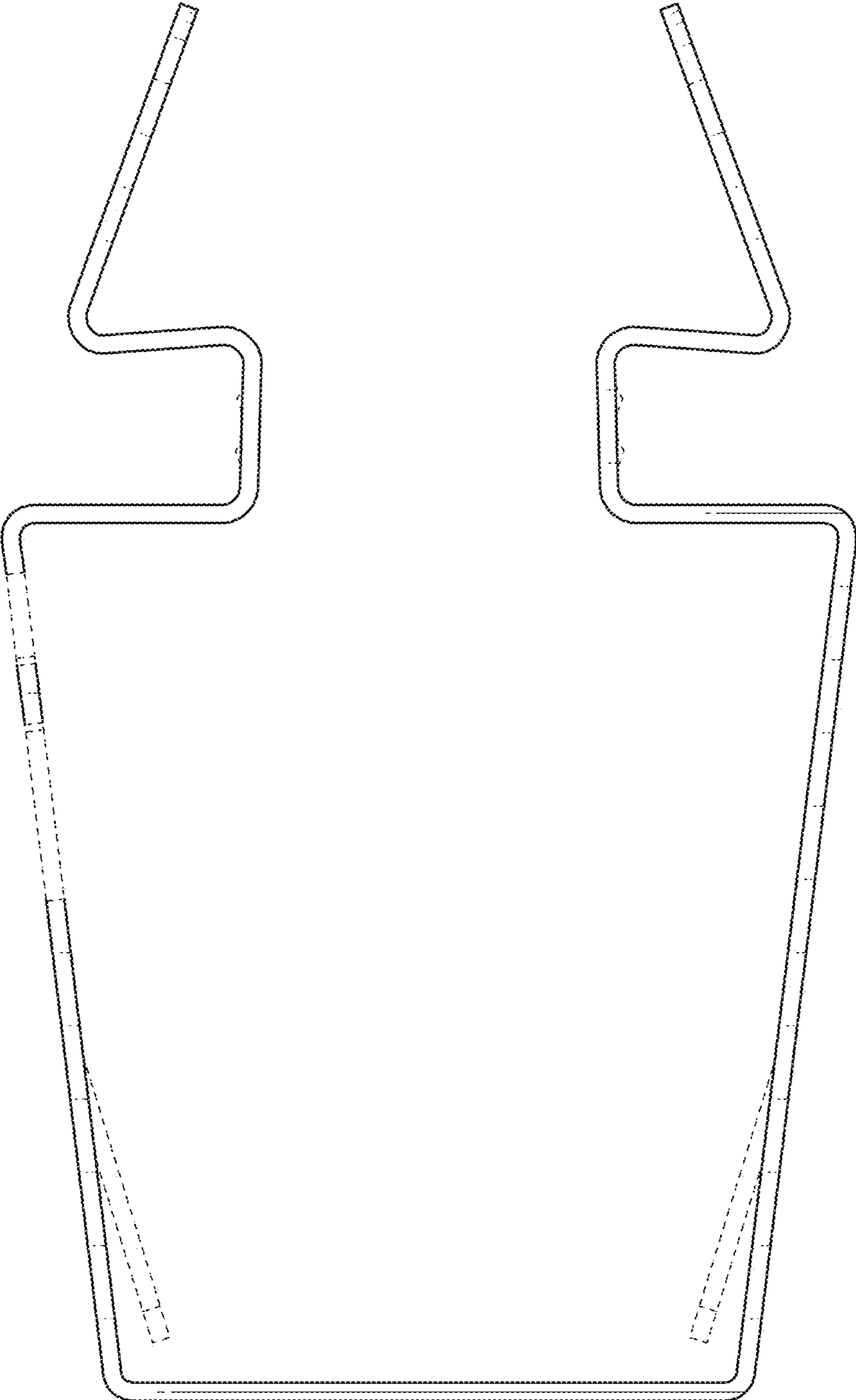


FIG. 3

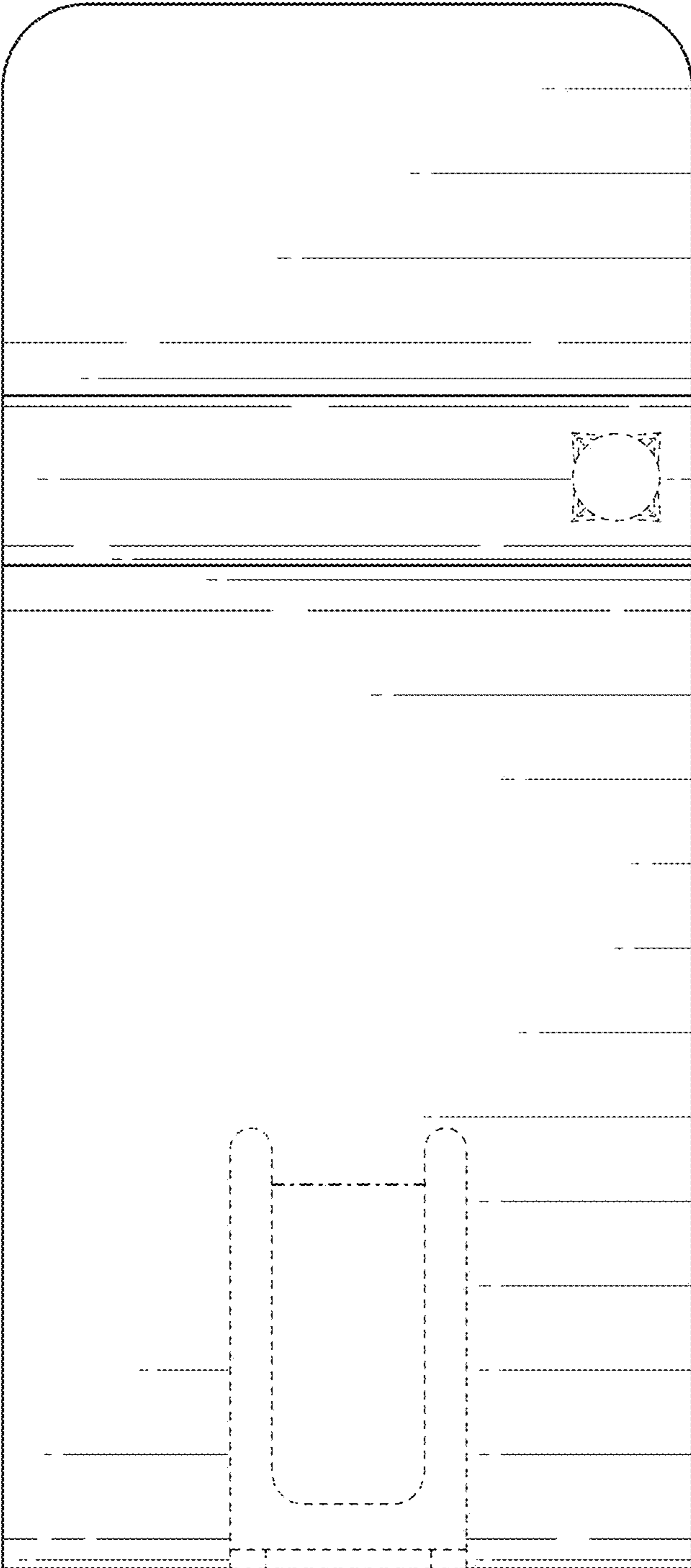


FIG. 4

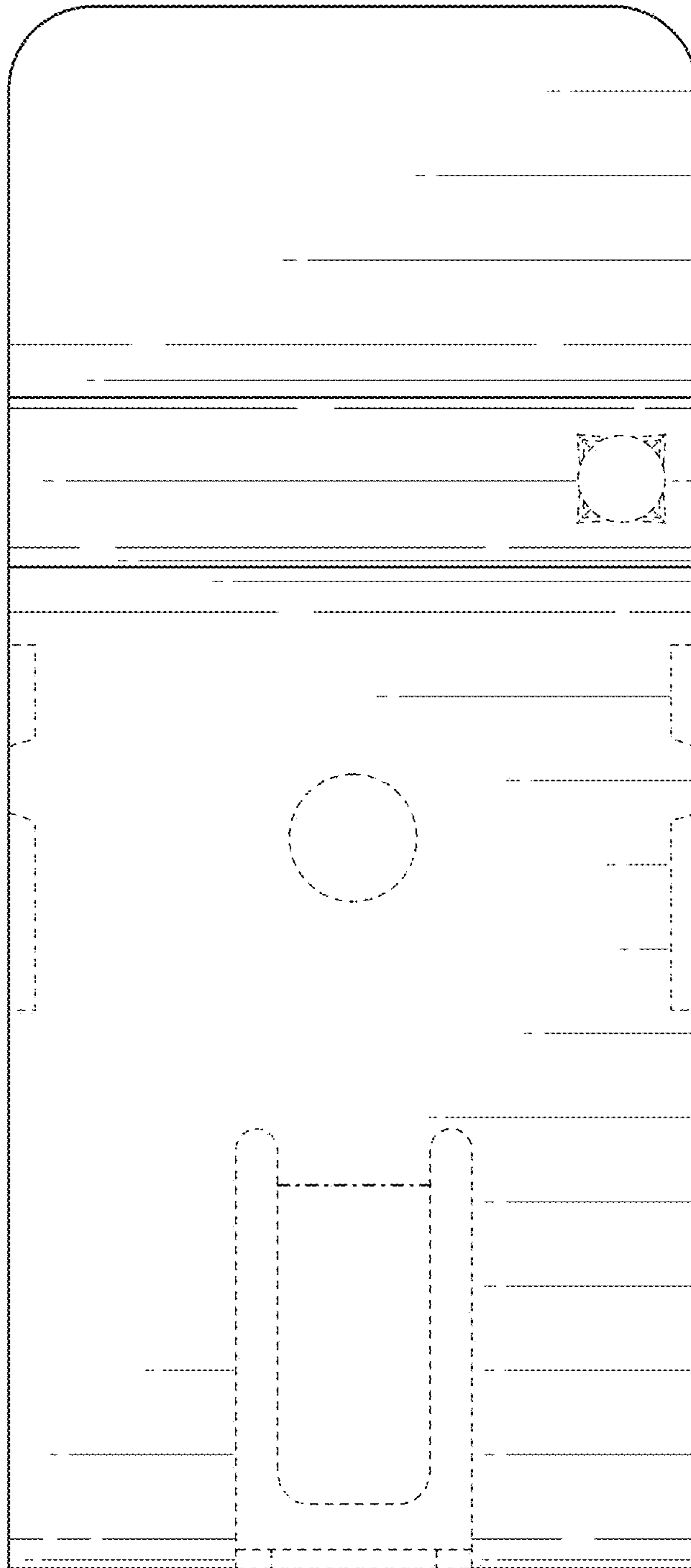


FIG. 5

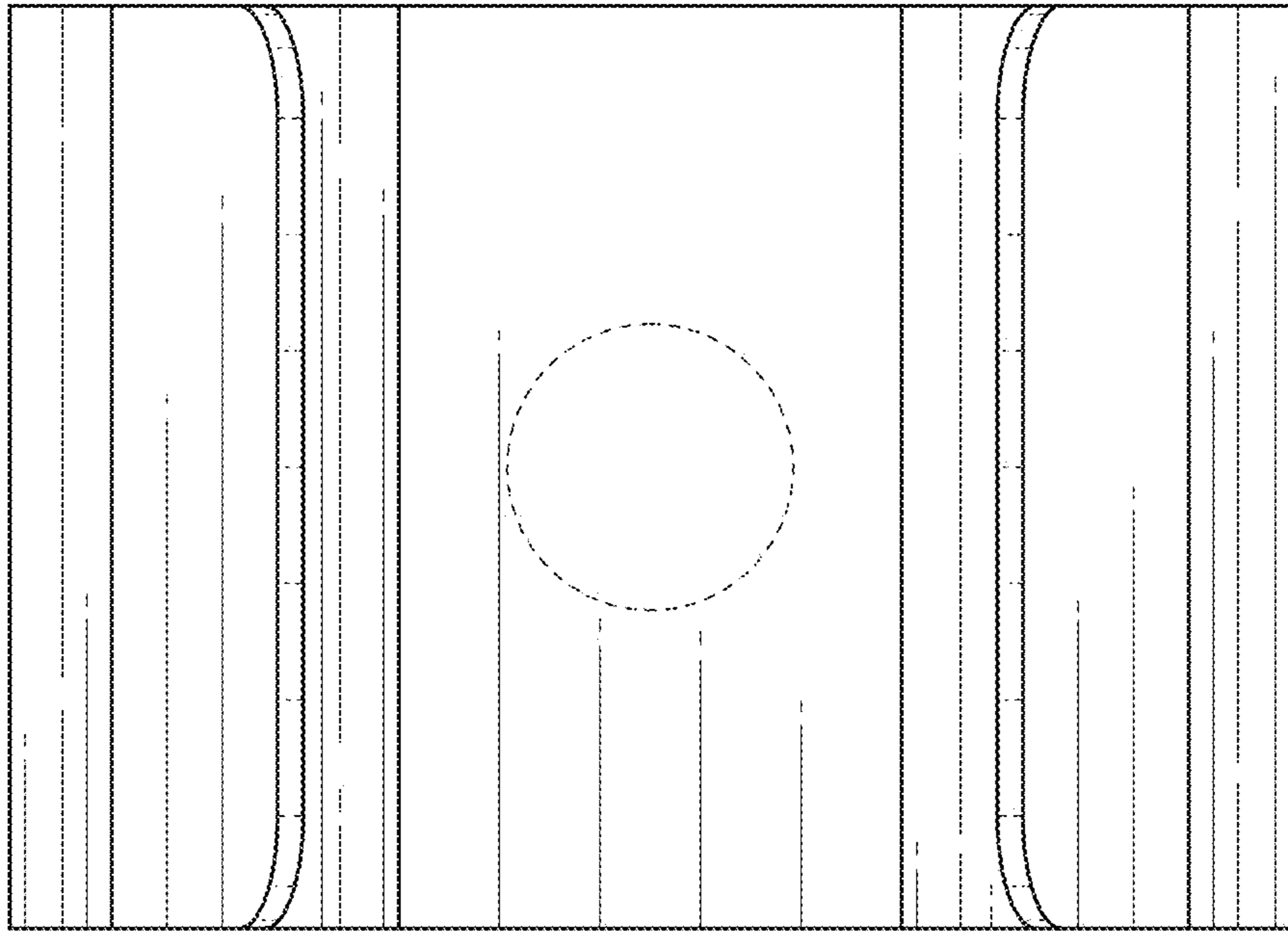


FIG. 6

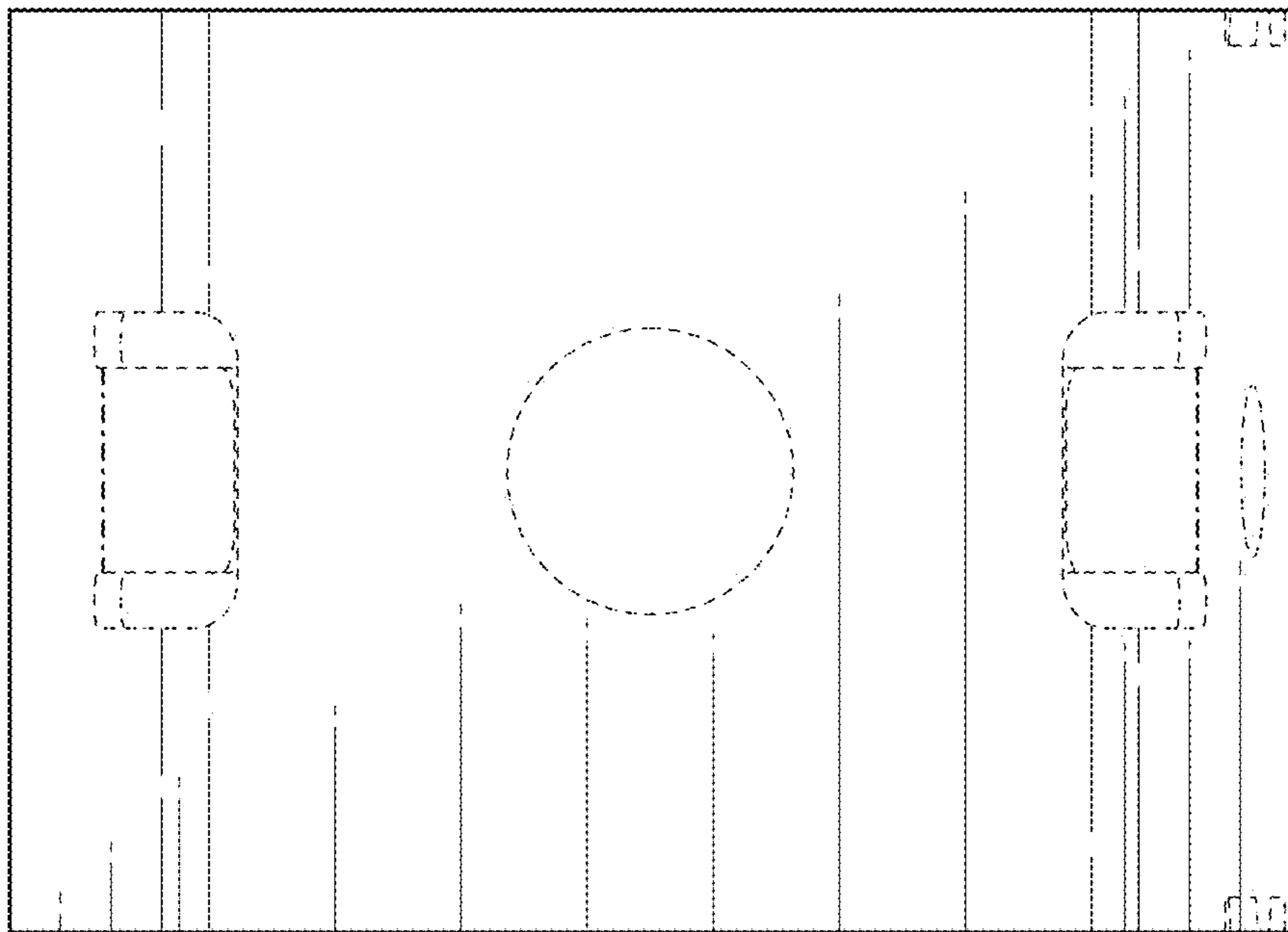


FIG. 7

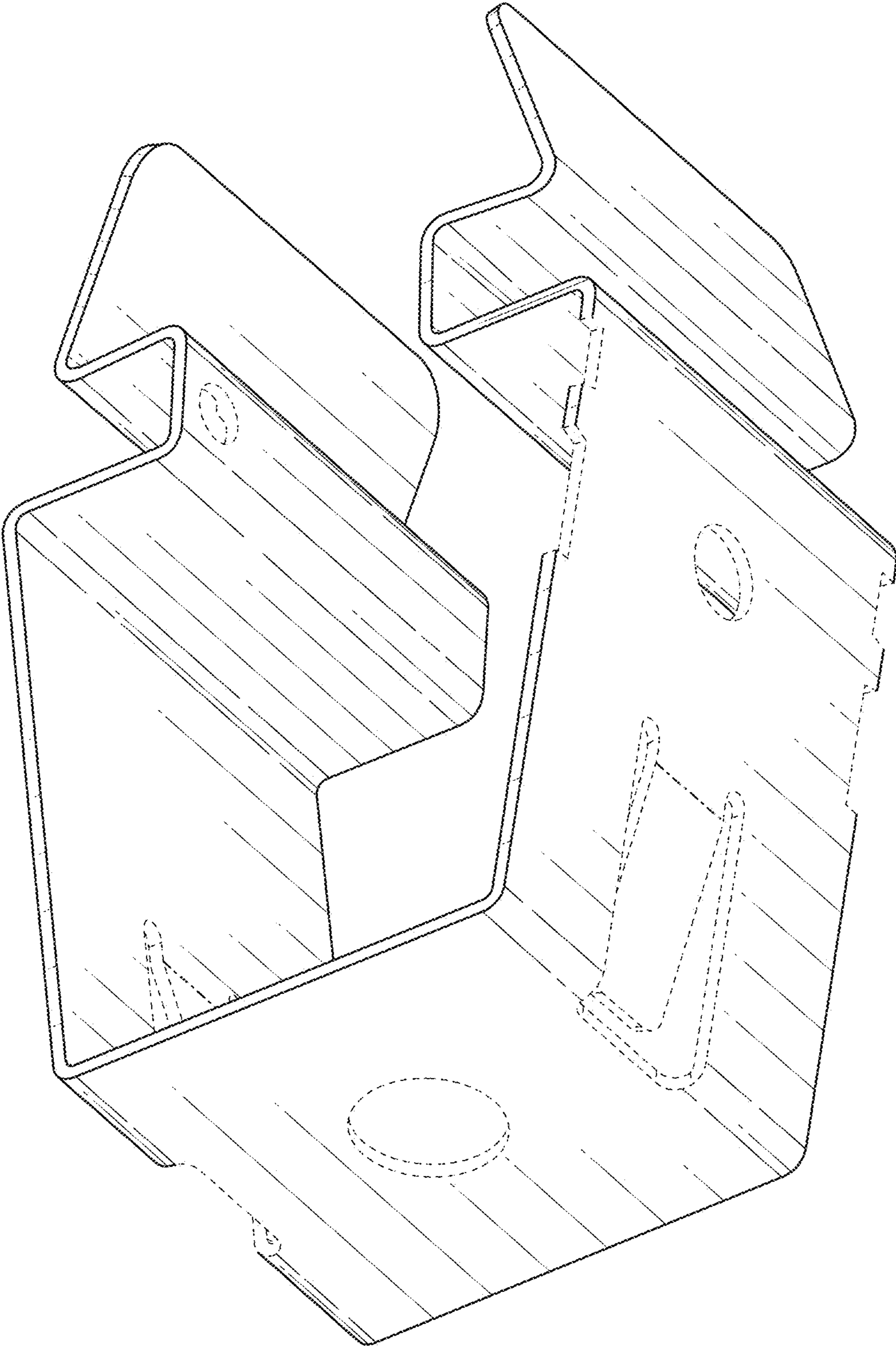


FIG. 8