



US0D1021585S

(12) **United States Design Patent** (10) **Patent No.:** **US D1,021,585 S**  
**Herrera Palacios et al.** (45) **Date of Patent:** **\*\* Apr. 9, 2024**

(54) **WELDING TORCH HANDLE**  
(71) Applicant: **Lincoln Global, Inc.**, Santa Fe Springs, CA (US)  
(72) Inventors: **Maria Magdalena Herrera Palacios**, Coahuila (MX); **Daniel Herrera Vazquez**, Durango (MX); **Jeffrey L. Kachline**, Kirtland, OH (US)

D893,967 S	8/2020	Vazquez et al.	
D945,230 S *	3/2022	Hartel	D8/30
D962,028 S *	8/2022	Kachline	D8/30
D962,029 S *	8/2022	Kachline	D8/30
D965,041 S *	9/2022	Kachline	D8/30
D965,042 S *	9/2022	Kachline	D8/30
D980,885 S *	3/2023	Kachline	D8/30
2015/0194072 A1 *	7/2015	Becker	B23K 37/006 434/234
2023/0092308 A1 *	3/2023	Hartel	B23K 9/295 219/121.48

(73) Assignee: **LINCOLN GLOBAL, INC.**, Santa Fe Springs, CA (US)

\* cited by examiner

(\*\*) Term: **15 Years**

Primary Examiner — Philip S Hyder

(74) Attorney, Agent, or Firm — Brad C. Spencer

(21) Appl. No.: **29/850,718**

(57) **CLAIM**

(22) Filed: **Aug. 23, 2022**

The ornamental design for a welding torch handle, as shown and described.

(51) **LOC (14) Cl.** ..... **08-05**

(52) **U.S. Cl.**  
USPC ..... **D8/30; D15/144**

**DESCRIPTION**

(58) **Field of Classification Search**  
USPC ..... D8/29.1, 29.2, 30, 61; D15/144  
CPC ... B23K 9/10; B23K 9/24; B23K 9/28; B23K 9/29; B23K 9/32  
See application file for complete search history.

FIG. 1 is a downward front perspective view of the design for a welding torch handle;  
FIG. 2 is an upward front perspective view thereof;  
FIG. 3 is a downward rear perspective view thereof;  
FIG. 4 is an upward rear perspective view thereof;  
FIG. 5 is a front view thereof;  
FIG. 6 is a rear view thereof;  
FIG. 7 is a right side view thereof;  
FIG. 8 is a left side view thereof;  
FIG. 9 is a top plan view thereof; and,  
FIG. 10 is a bottom plan view thereof.

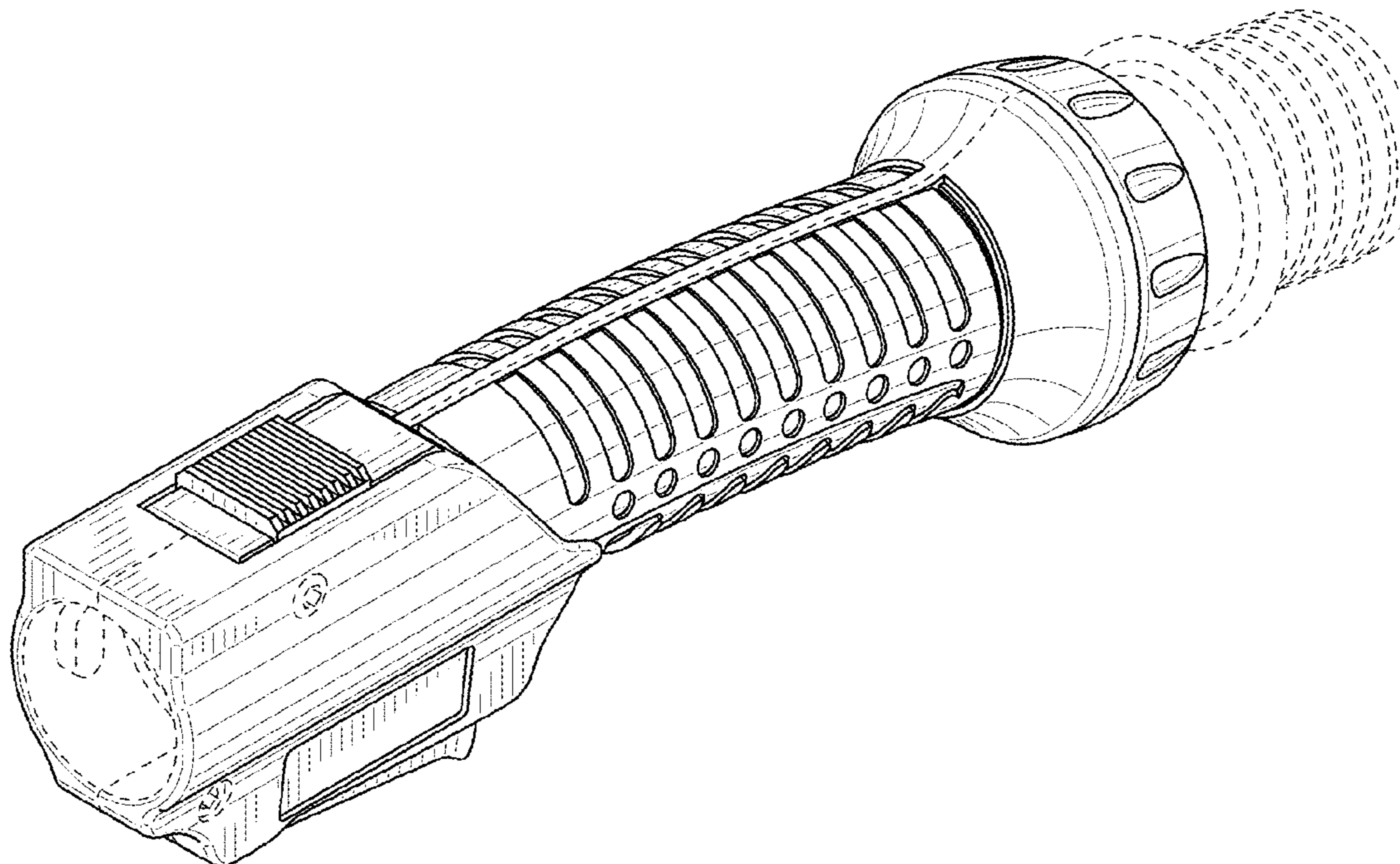
(56) **References Cited**

**U.S. PATENT DOCUMENTS**

D638,270 S *	5/2011	Flattinger	D8/30
D647,382 S *	10/2011	Flattinger	D8/107
D735,002 S *	7/2015	Bondy	D8/30
D752,403 S	3/2016	Kindig	
D876,914 S *	3/2020	Mitterhumer	D8/30
D881,664 S	4/2020	Vazquez et al.	
D882,361 S	4/2020	Calandreli Cruz et al.	
D883,055 S	5/2020	Vazquez et al.	

The broken lines in the drawings illustrate portions of the welding torch handle that form no part of the claimed ornamental design.

**1 Claim, 5 Drawing Sheets**



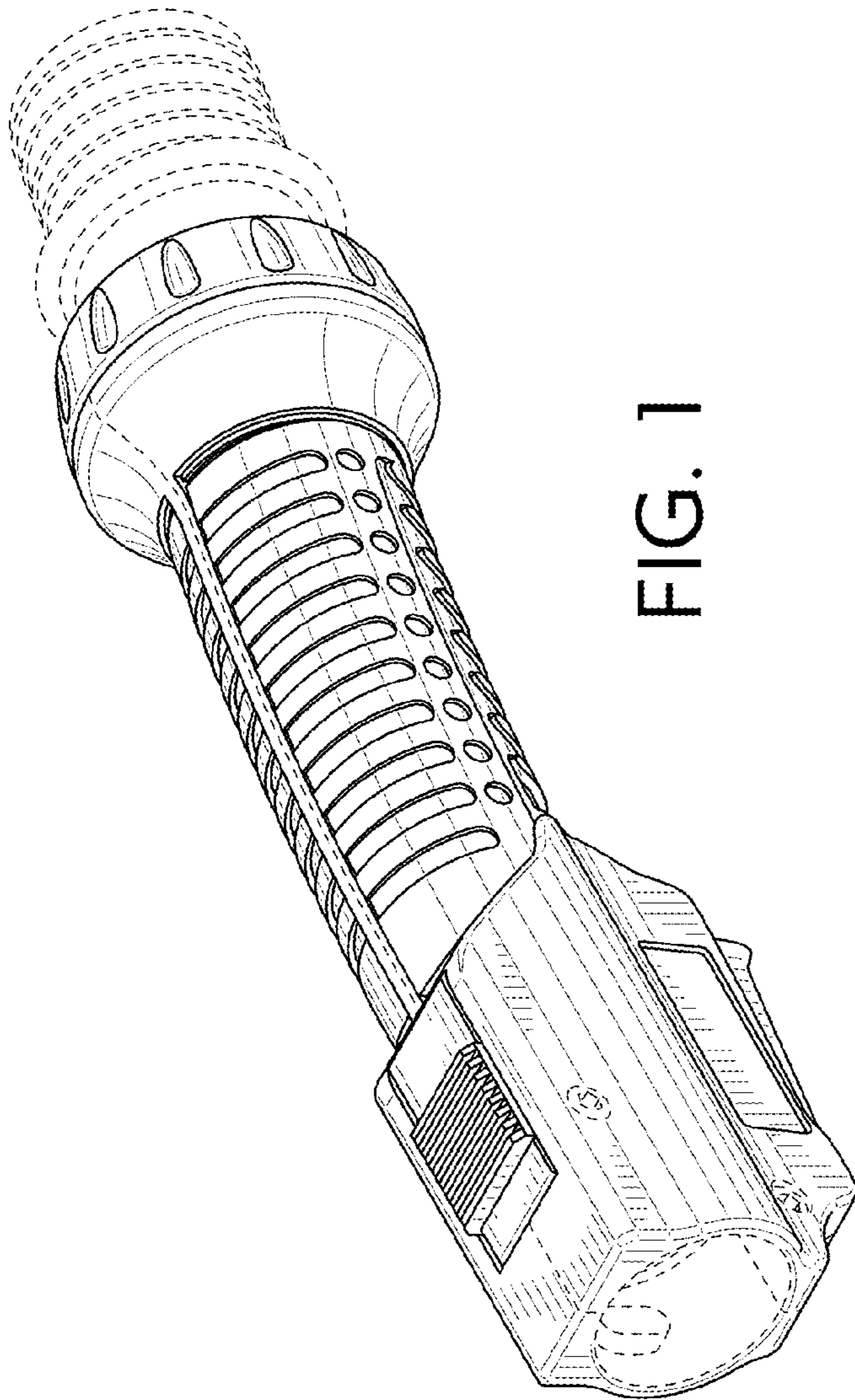


FIG. 1

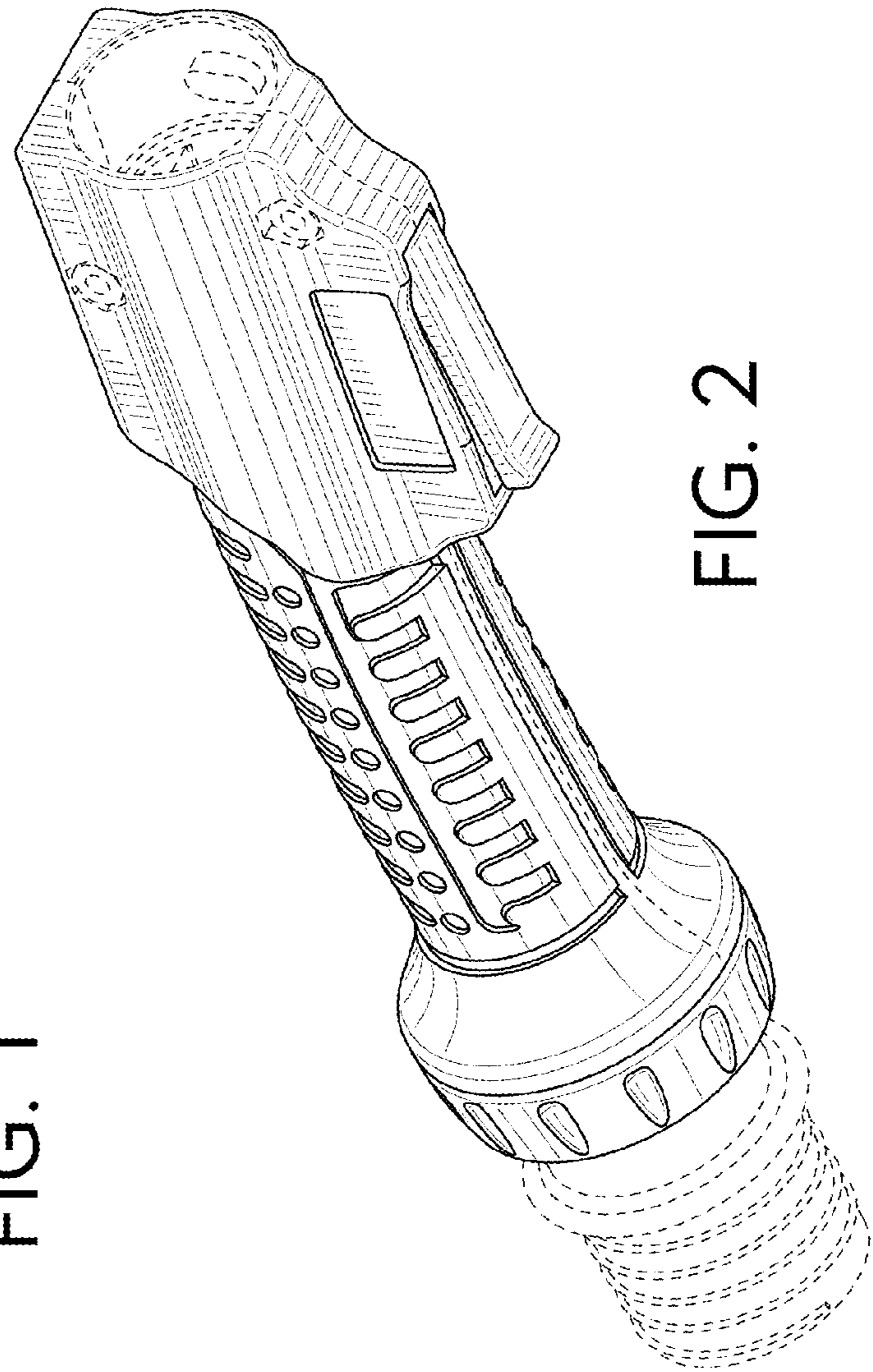


FIG. 2



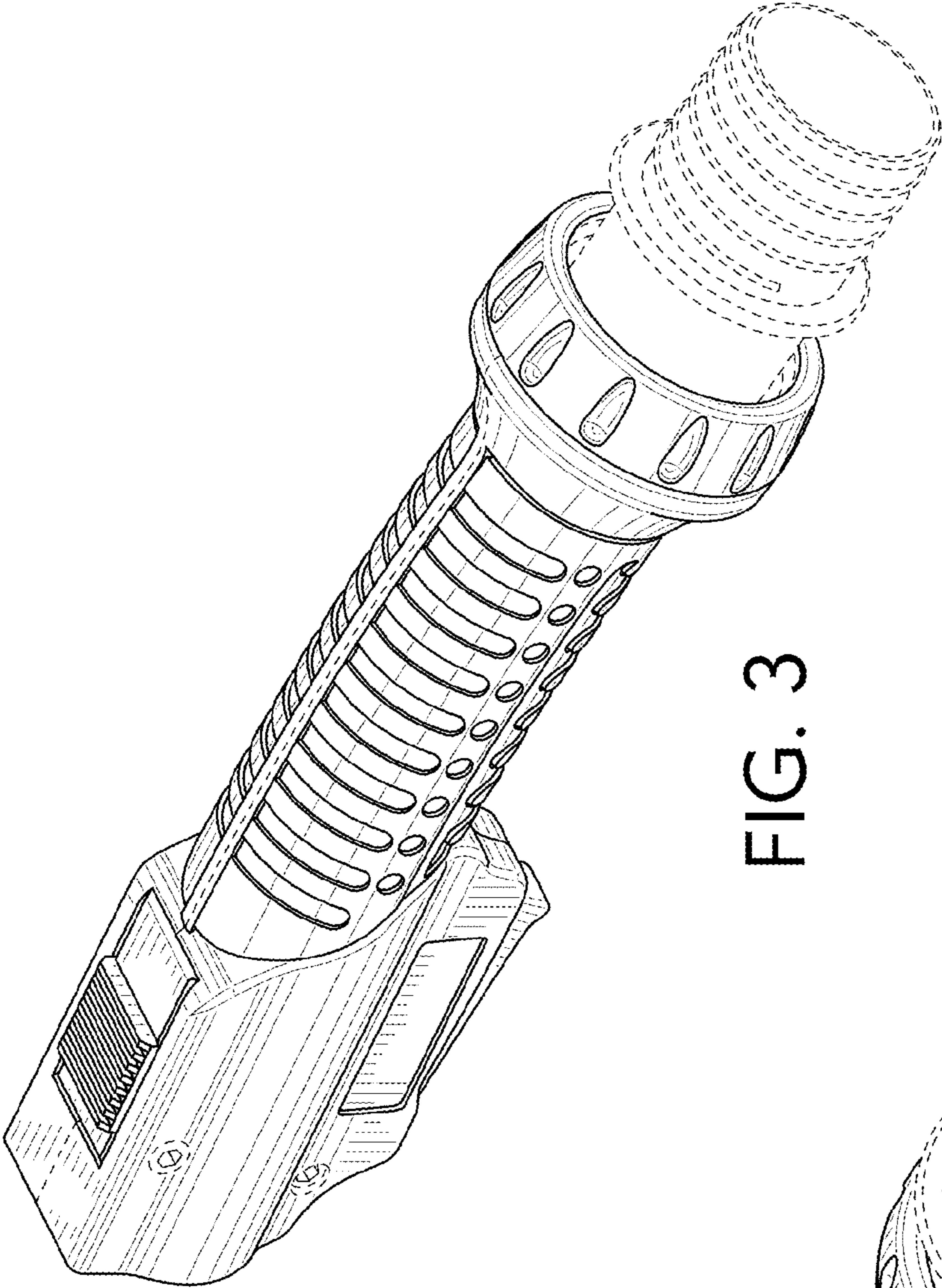


FIG. 3

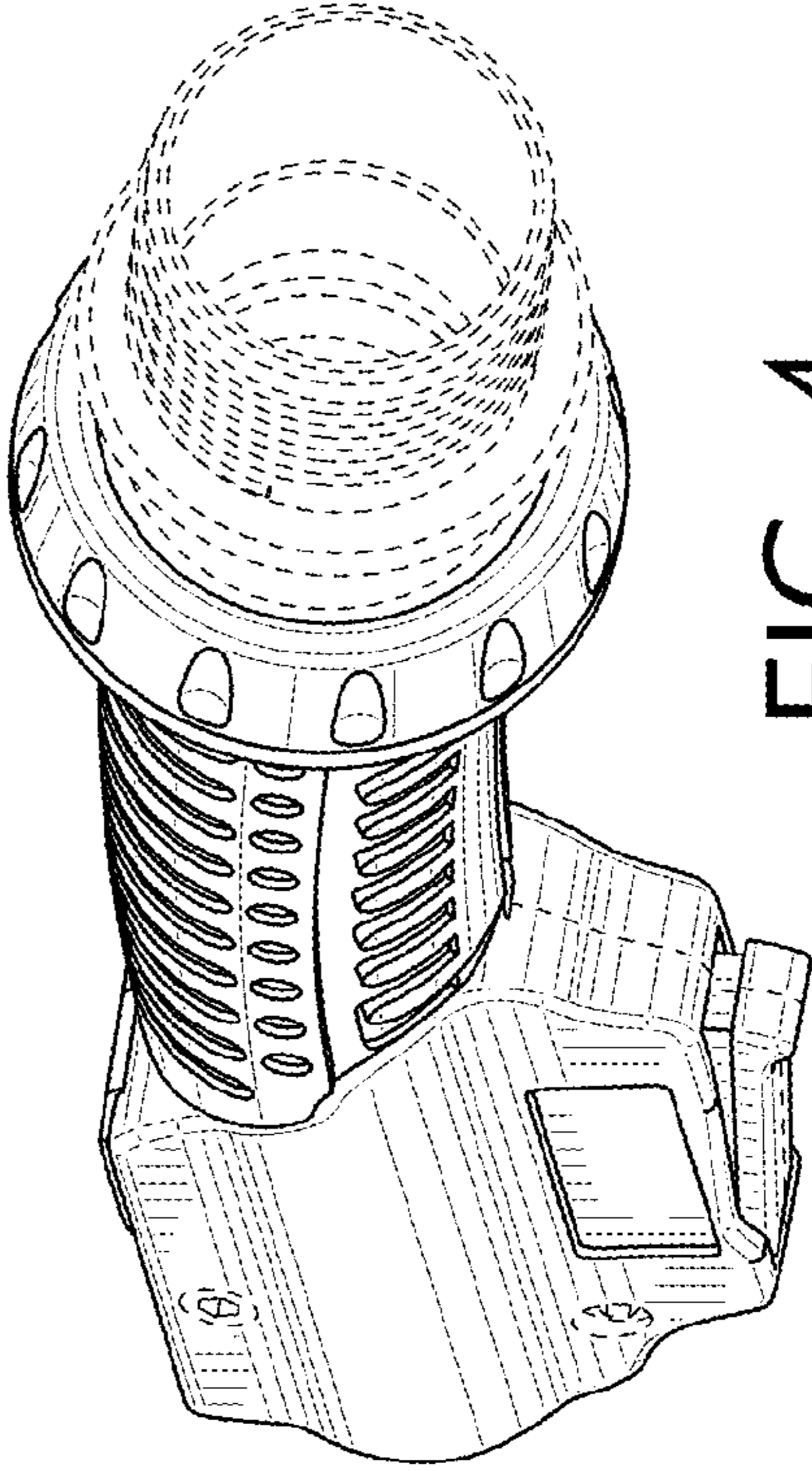


FIG. 4

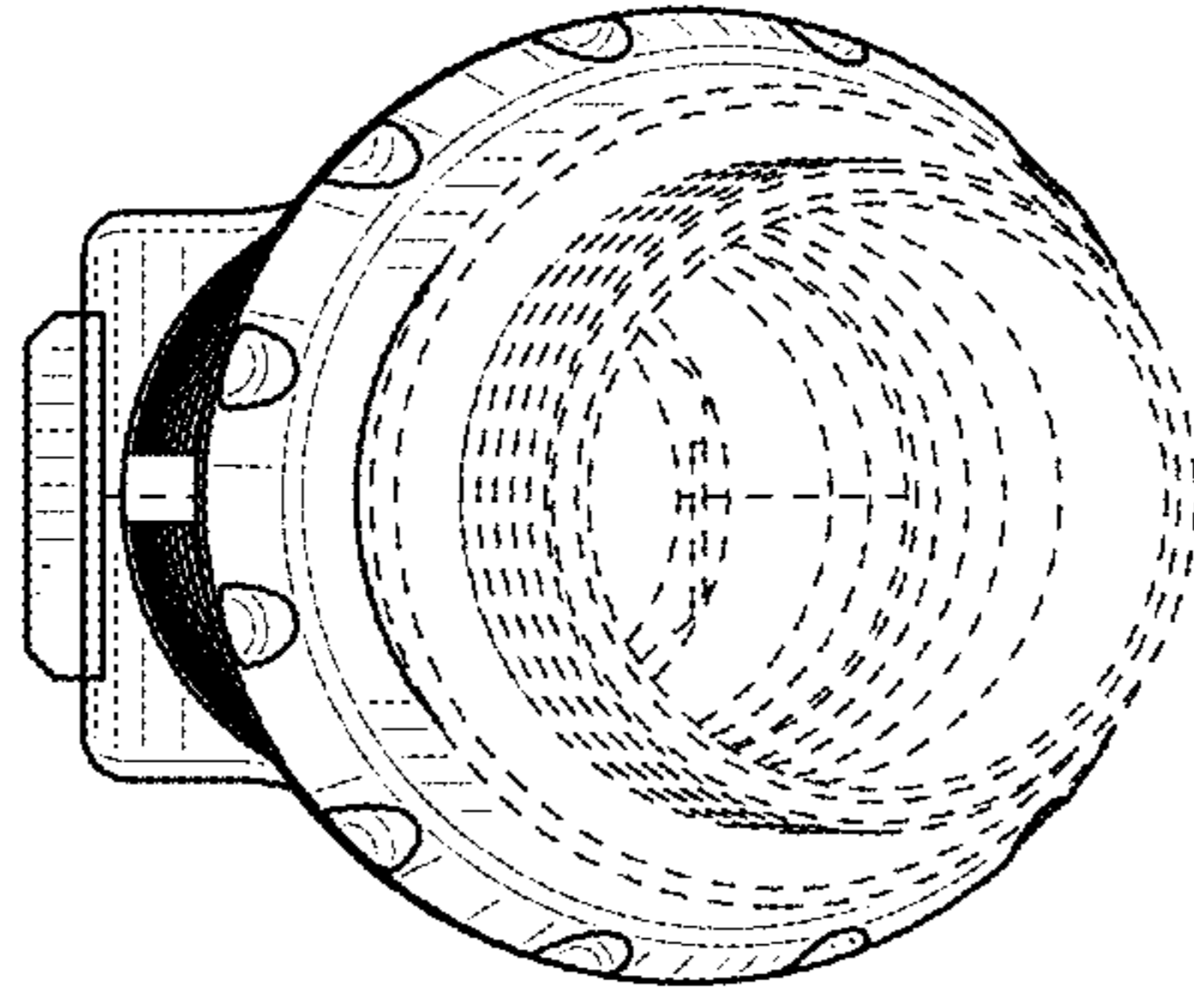


FIG. 6

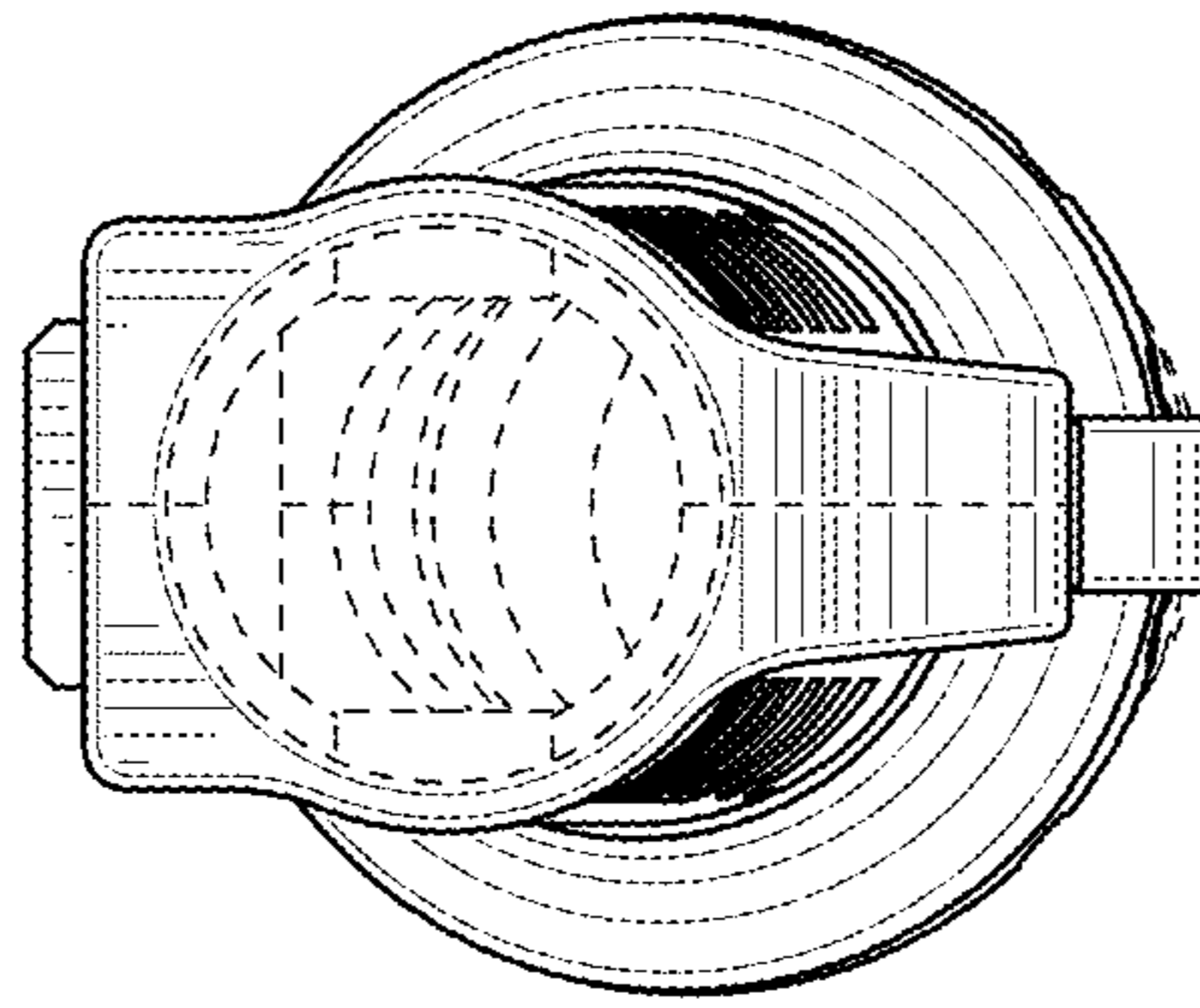


FIG. 5

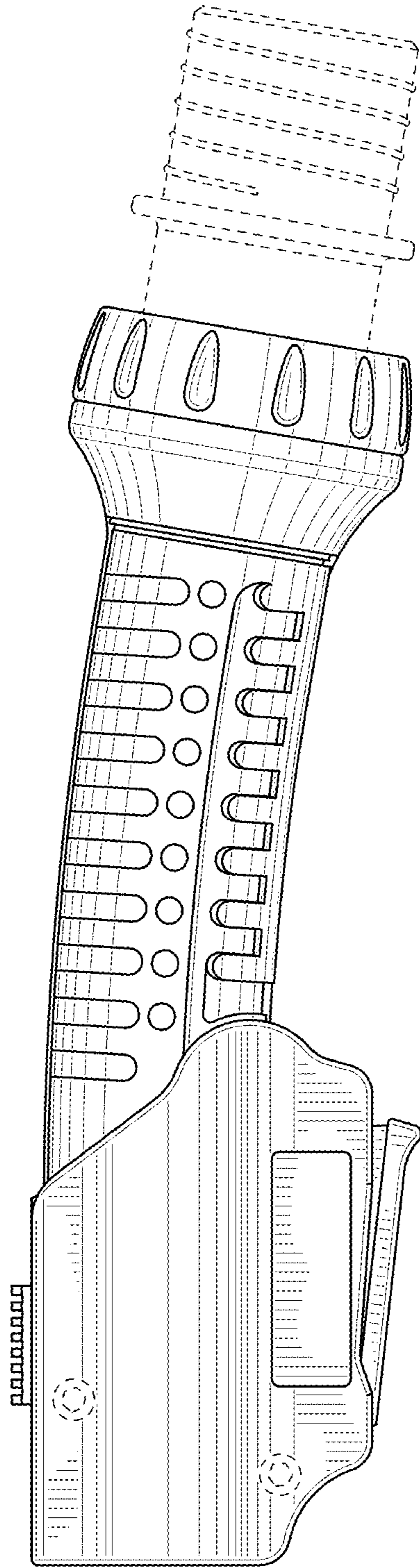


FIG. 7

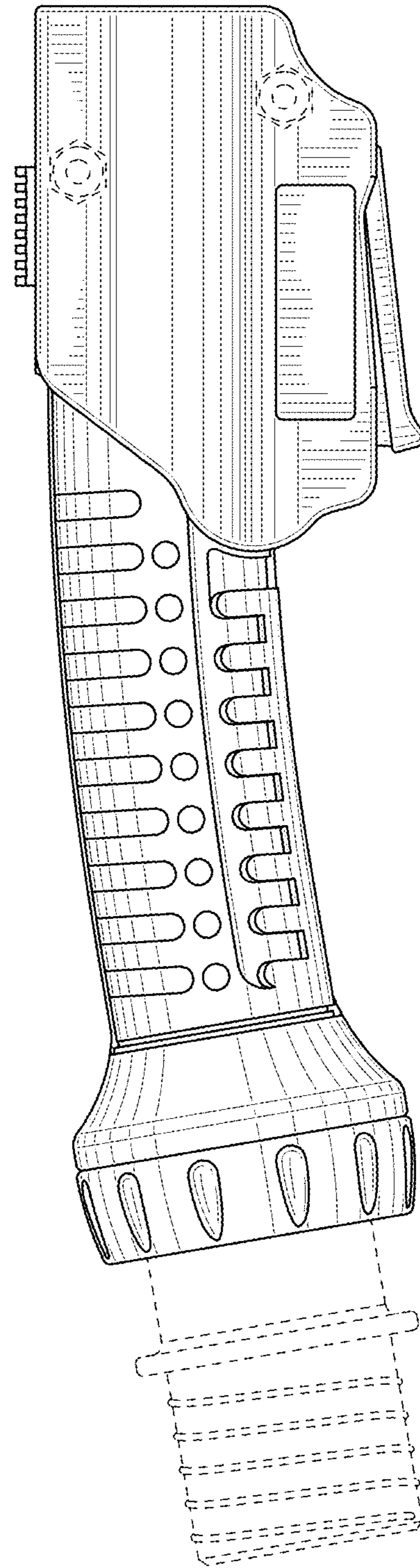


FIG. 8



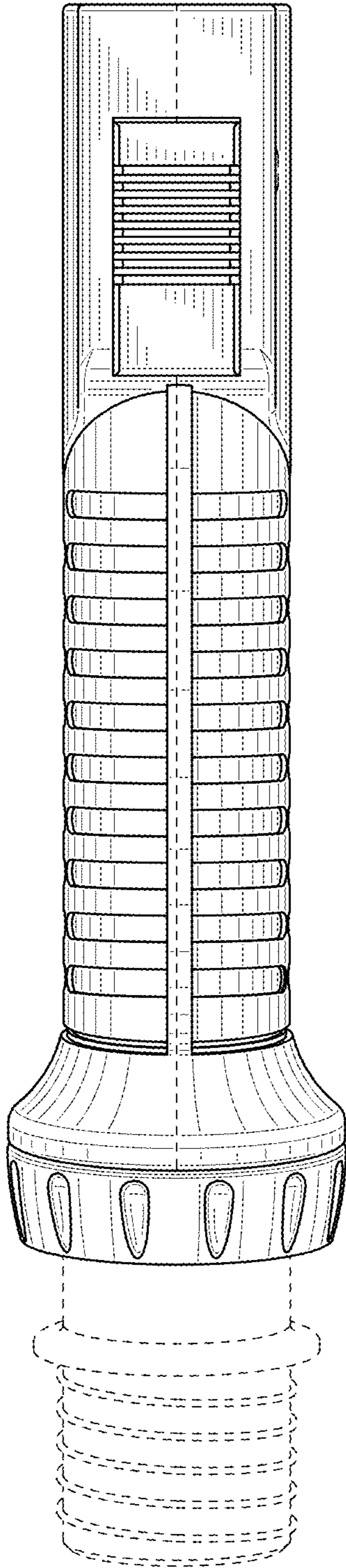


FIG. 9

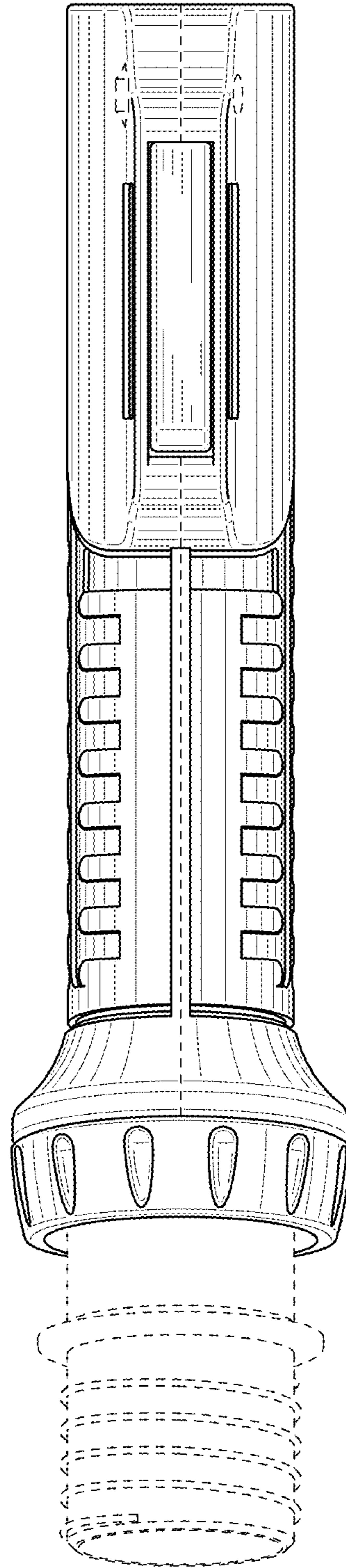


FIG. 10