



US0D1021530S

(12) **United States Design Patent** (10) **Patent No.:** **US D1,021,530 S**  
**Zhang** (45) **Date of Patent:** **\*\* Apr. 9, 2024**

(54) **COFFEE CAPSULE SEALING TOOL**

(71) Applicant: **Qun Zhang**, Changde (CN)

(72) Inventor: **Qun Zhang**, Changde (CN)

(\*\*) Term: **15 Years**

(21) Appl. No.: **29/923,417**

(22) Filed: **Dec. 29, 2023**

(51) **LOC (14) Cl.** ..... **07-06**

(52) **U.S. Cl.**  
USPC ..... **D7/400**

(58) **Field of Classification Search**  
USPC ..... D7/397, 399, 400, 368, 669, 682  
CPC ..... A47J 31/06; A47J 31/44; A47J 31/0668;  
A47J 31/40; A47J 31/0642  
See application file for complete search history.

(56) **References Cited**

**U.S. PATENT DOCUMENTS**

- 3,811,373 A \* 5/1974 Telco ..... B65D 85/8061  
D7/400
- 8,689,987 B2 \* 4/2014 Lewis ..... A61J 9/00  
215/276
- D707,489 S 6/2014 Hertaus
- 8,906,440 B2 12/2014 Otto
- D723,868 S 3/2015 Hertaus

- 9,108,794 B2 \* 8/2015 Fu ..... B01D 39/16  
D767,331 S 9/2016 Burrows
- 9,932,168 B2 \* 4/2018 Hansen ..... B65D 85/8061  
D883,045 S \* 5/2020 Fudge ..... D7/700
- D884,420 S 5/2020 McLean
- D936,416 S \* 11/2021 Yang ..... D7/400
- D968,887 S 11/2022 Huang
- D977,302 S \* 2/2023 Guo ..... D7/400
- D1,009,558 S \* 1/2024 Guo ..... D7/400
- 2019/0082879 A1 \* 3/2019 De'Longhi ..... A47J 31/0642

\* cited by examiner

*Primary Examiner* — Andrew Kerr

(74) *Attorney, Agent, or Firm* — Jose Cherson Weissbrot

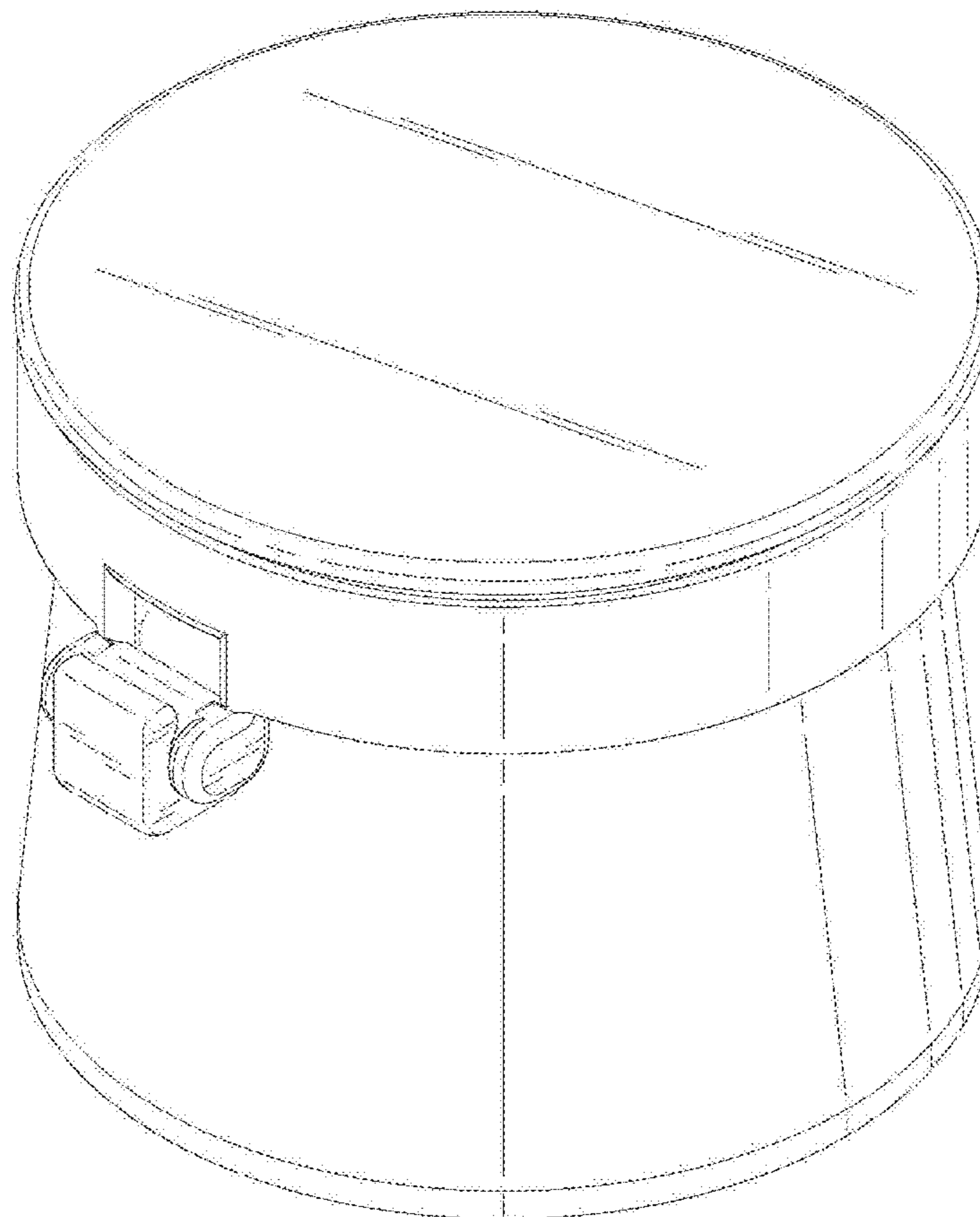
(57) **CLAIM**

The ornamental design for a coffee capsule sealing tool, as shown and described.

**DESCRIPTION**

FIG. 1 is a top perspective view of a coffee capsule sealing tool showing my new design; FIG. 2 is a front view thereof; FIG. 3 is a rear view thereof; FIG. 4 is a left side view thereof; FIG. 5 is a right side view thereof; FIG. 6 is a top view thereof; and, FIG. 7 is a bottom view thereof. Broken lines in the drawings depict portions of the coffee capsule sealing tool that form no part of the claimed design.

**1 Claim, 7 Drawing Sheets**



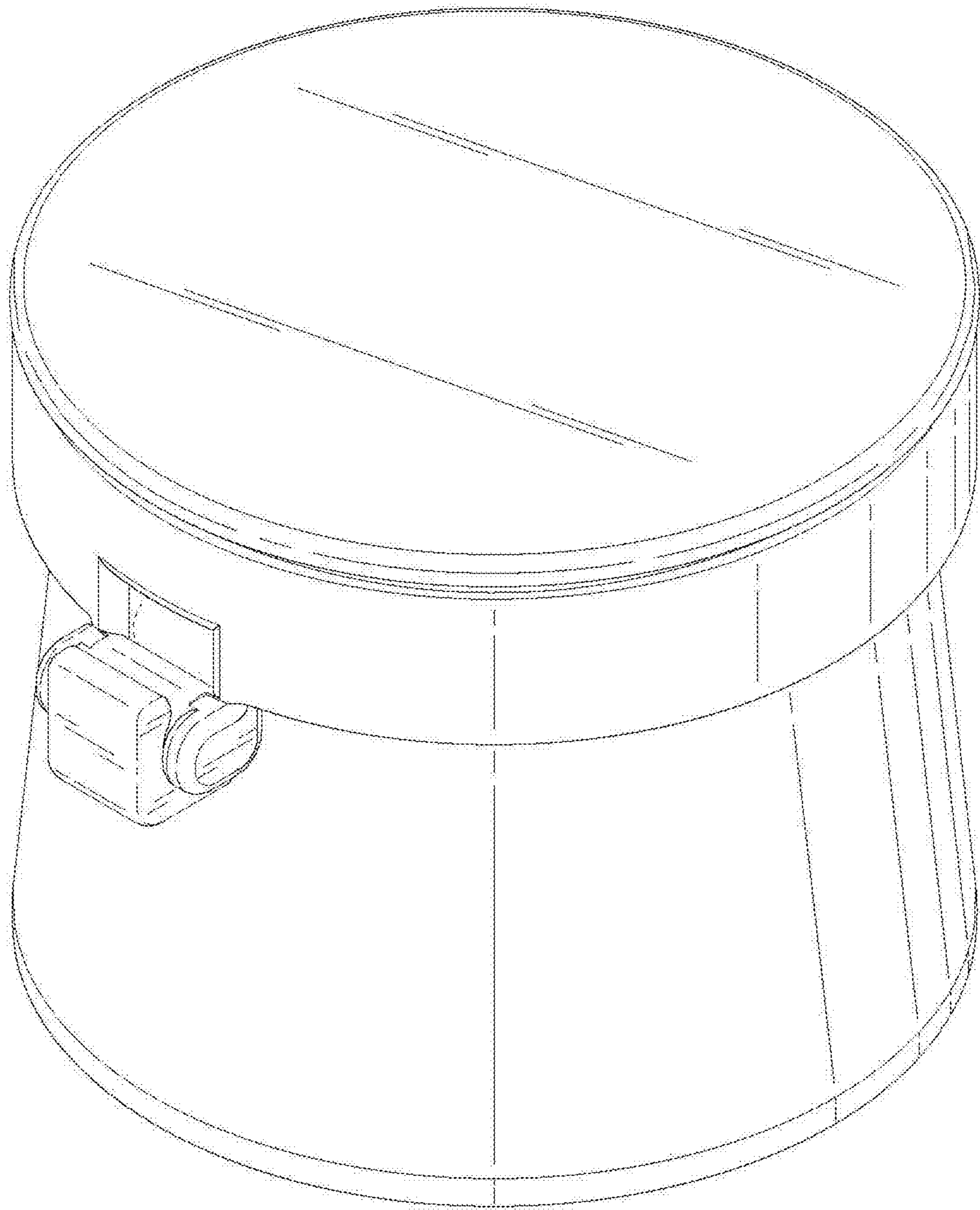


FIG. 1

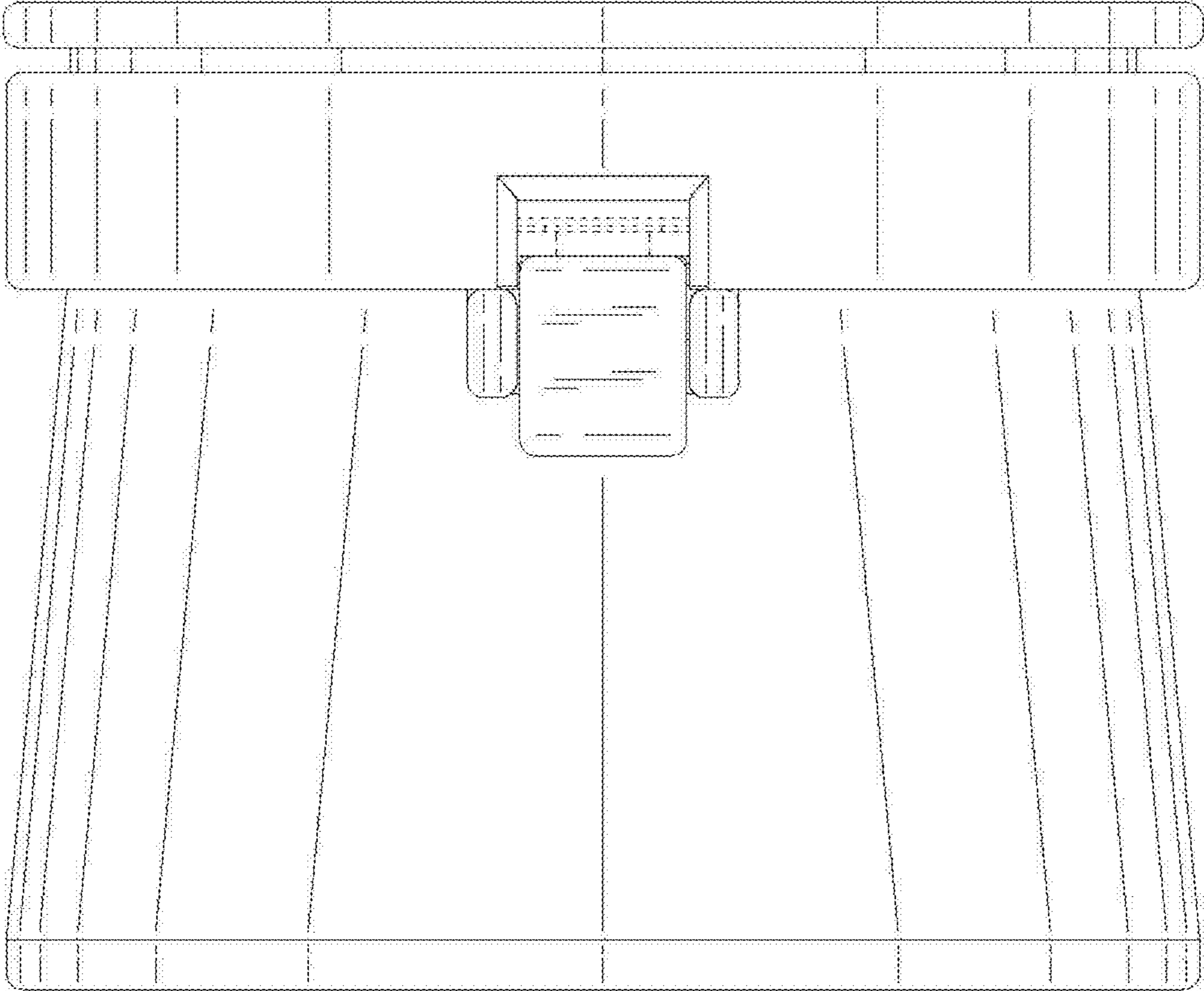


FIG. 2

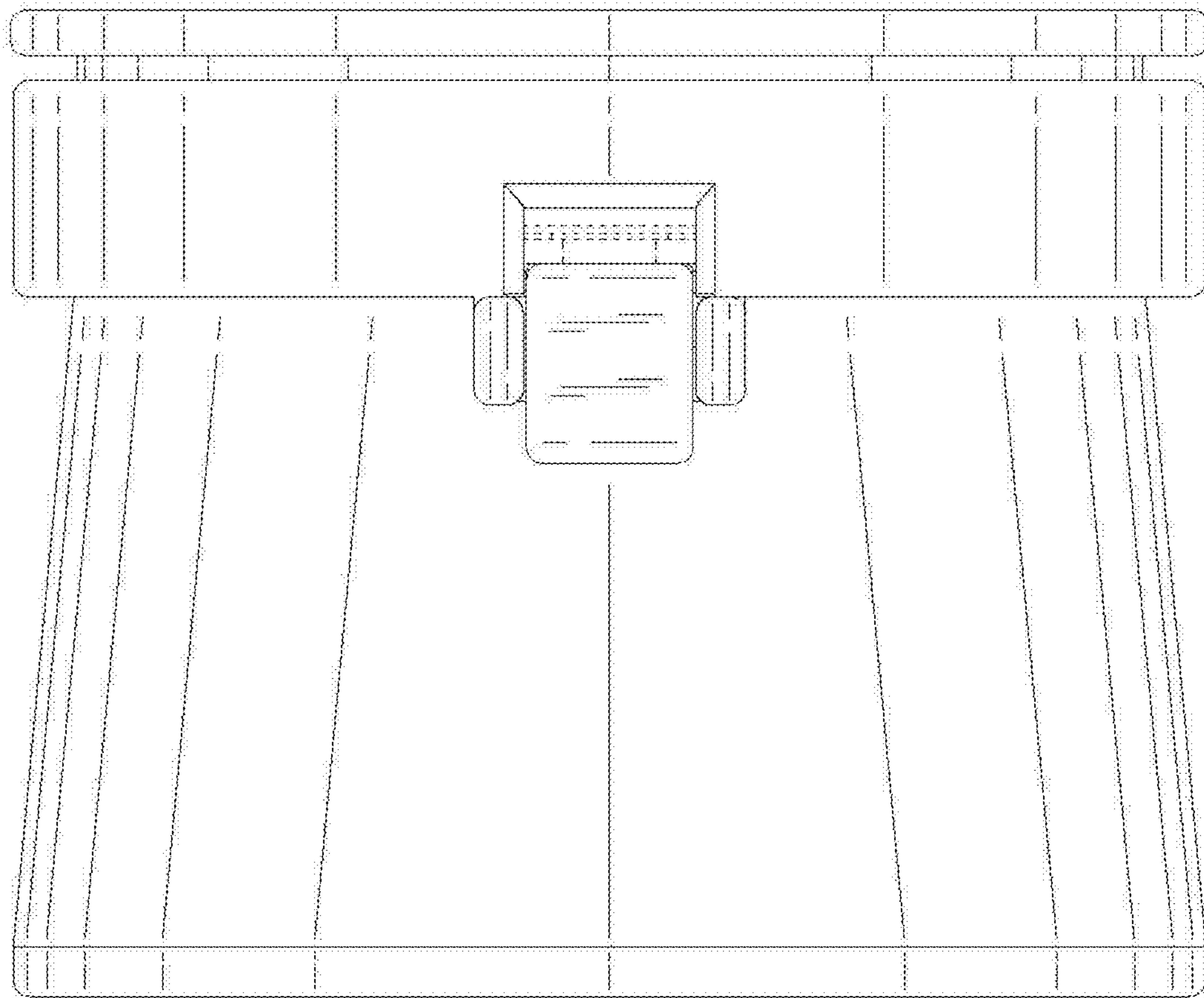


FIG. 3

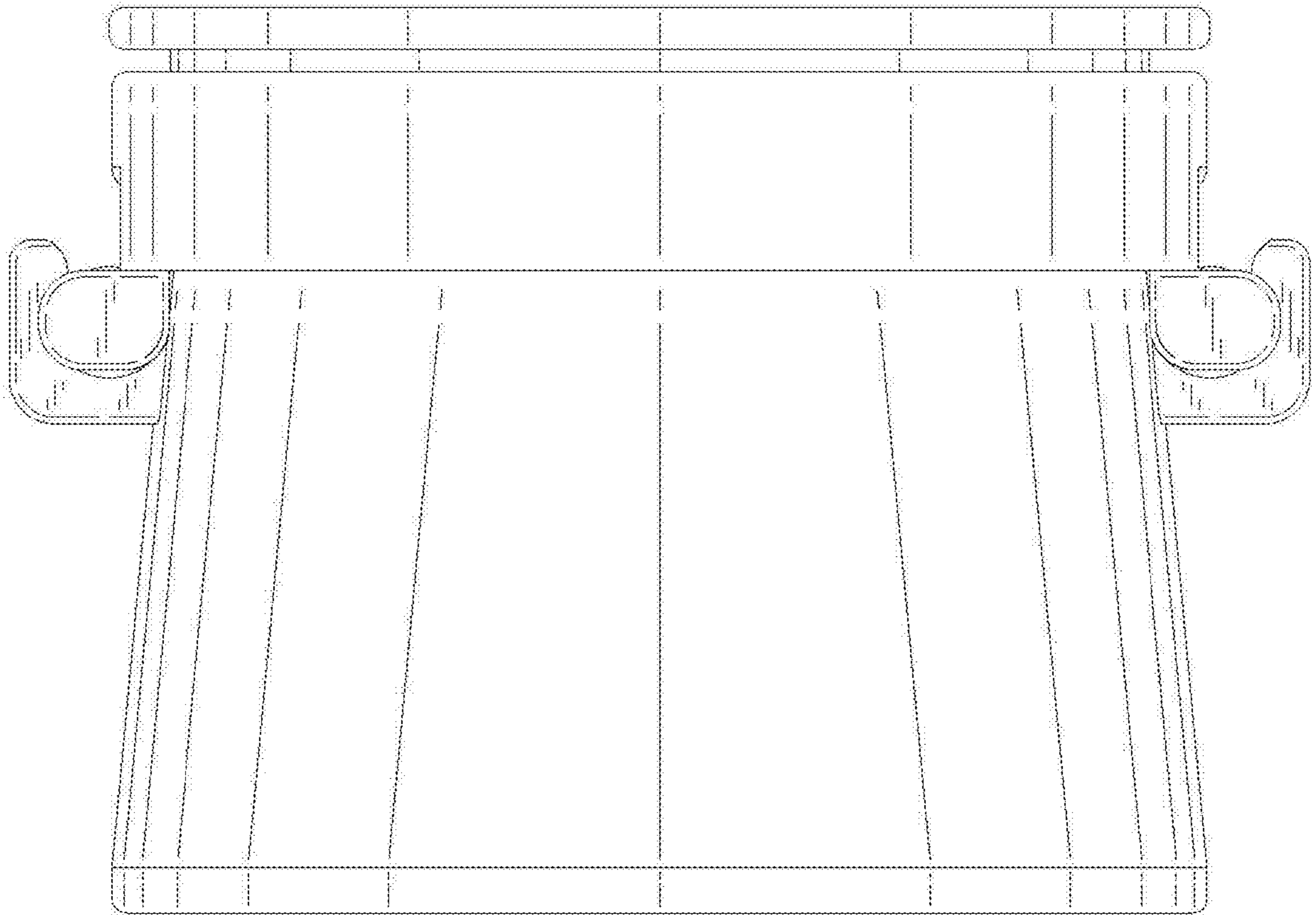


FIG. 4

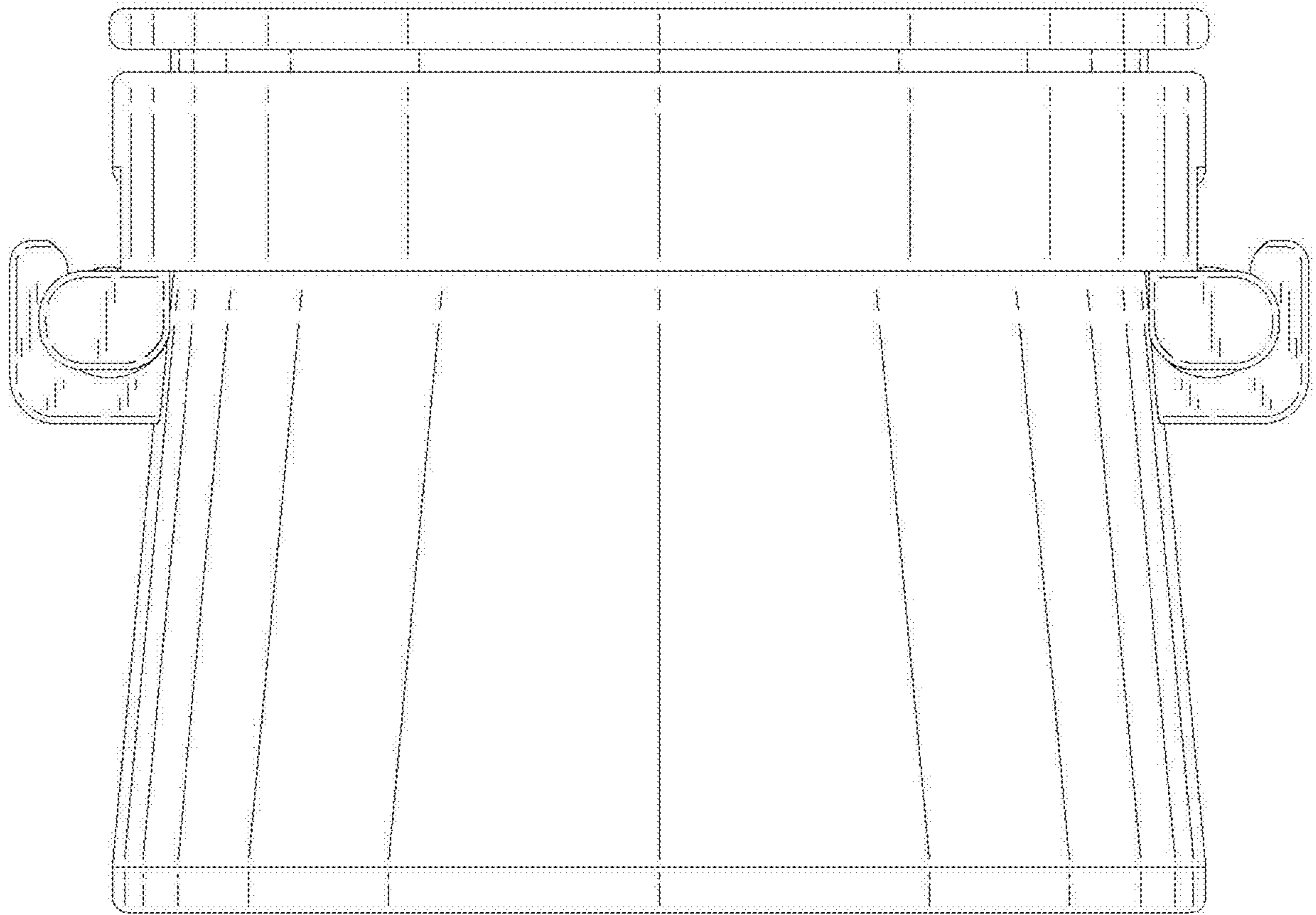


FIG. 5

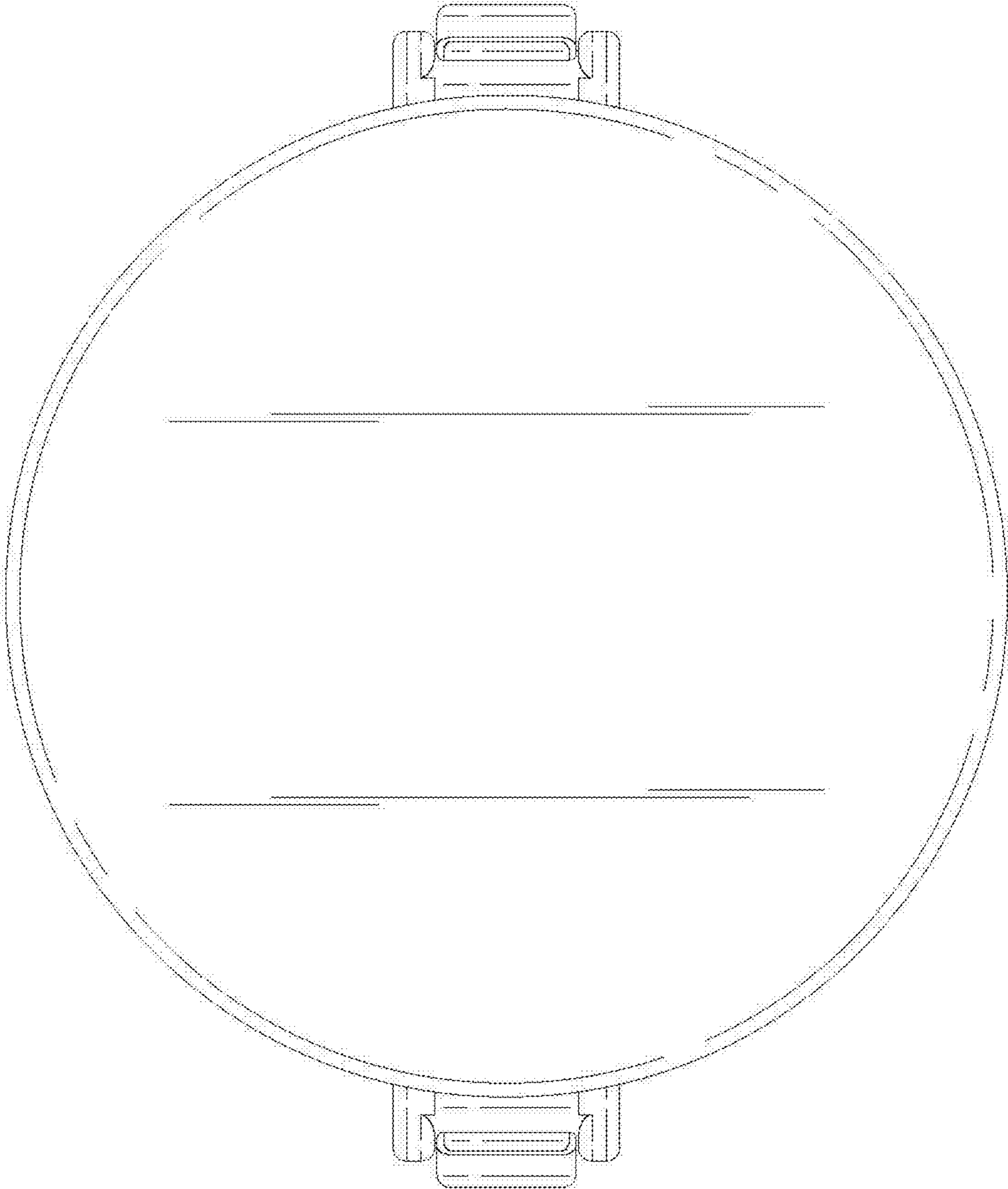


FIG. 6

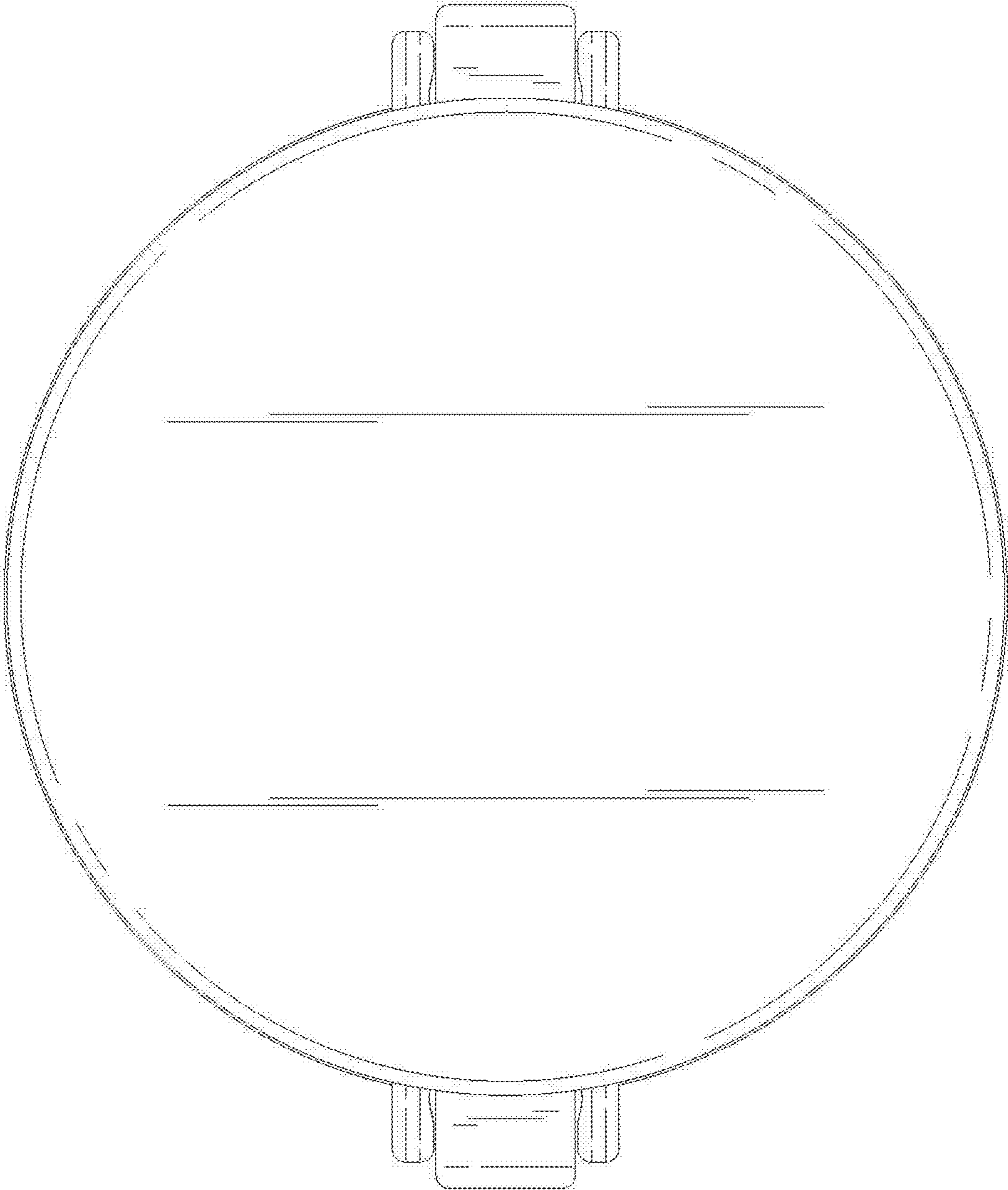


FIG. 7