



US0D1021500S

(12) **United States Design Patent**
Chen

(10) **Patent No.:** **US D1,021,500 S**

(45) **Date of Patent:** **** Apr. 9, 2024**

(54) **SLIT ARMREST**
(71) Applicant: **Xiaojian Chen**, Guangdong (CN)
(72) Inventor: **Xiaojian Chen**, Guangdong (CN)
(**) Term: **15 Years**

4,938,439 A * 7/1990 Fried B60N 2/787
248/444
D603,182 S * 11/2009 Smith D6/406.2
D625,934 S * 10/2010 Smith D6/406.2
D832,247 S * 10/2018 Sukphist D14/253
D951,169 S * 5/2022 Yu D12/421

(Continued)

(21) Appl. No.: **29/806,723**
(22) Filed: **Sep. 6, 2021**

OTHER PUBLICATIONS

CDEFG Armrest Support, first available Sep. 26, 2019 [online],
[retrieved Dec. 21, 2023], Retrieved from internet, <https://www.amazon.com/dp/B07YDJL5QC/> (Year: 2019).*

(Continued)

(30) **Foreign Application Priority Data**

Aug. 27, 2021 (CN) 202130562268.5

(51) **LOC (14) Cl.** **06-06**

(52) **U.S. Cl.**
USPC **D6/716.2**; D12/421

(58) **Field of Classification Search**
USPC D6/332-333, 341-343, 384, 403,
D6/406.1-406.6, 715, 716.2-716.5, 717;
D12/406, 411, 414-416, 419-421, 424
CPC .. A47C 1/03; A47C 7/54; A47C 7/541; A47C
7/543; A47C 7/546; A47C 7/68; A47C
16/00; A47C 20/00; A47C 20/02; A61G
13/1235; A61G 13/1245; A61G 13/125;
B60N 2/5816; B60N 2/62; B60N 2/64;
B60N 2/75; B60N 2/753; B60N 2/763;
B60N 2/78; B60N 2/787; B60N 2/79;
B60N 2/803; B60N 2/806; B60N 2/885;
B60N 3/001; B60N 3/08; B60R
2011/0012; B60R 2011/0014; B60R
2011/0015; B60R 2011/0017

See application file for complete search history.

(56) **References Cited**

U.S. PATENT DOCUMENTS

D188,416 S * 7/1960 Ramm D6/716.5
D218,234 S * 8/1970 Belk D6/716.5
4,592,584 A * 6/1986 White, Jr. B60N 2/783
296/153

Primary Examiner — Mary Ann Calabrese
Assistant Examiner — Harper E Comstock
(74) *Attorney, Agent, or Firm* — Kunzler Bean &
Adamson, PC; Michael Bartholomew

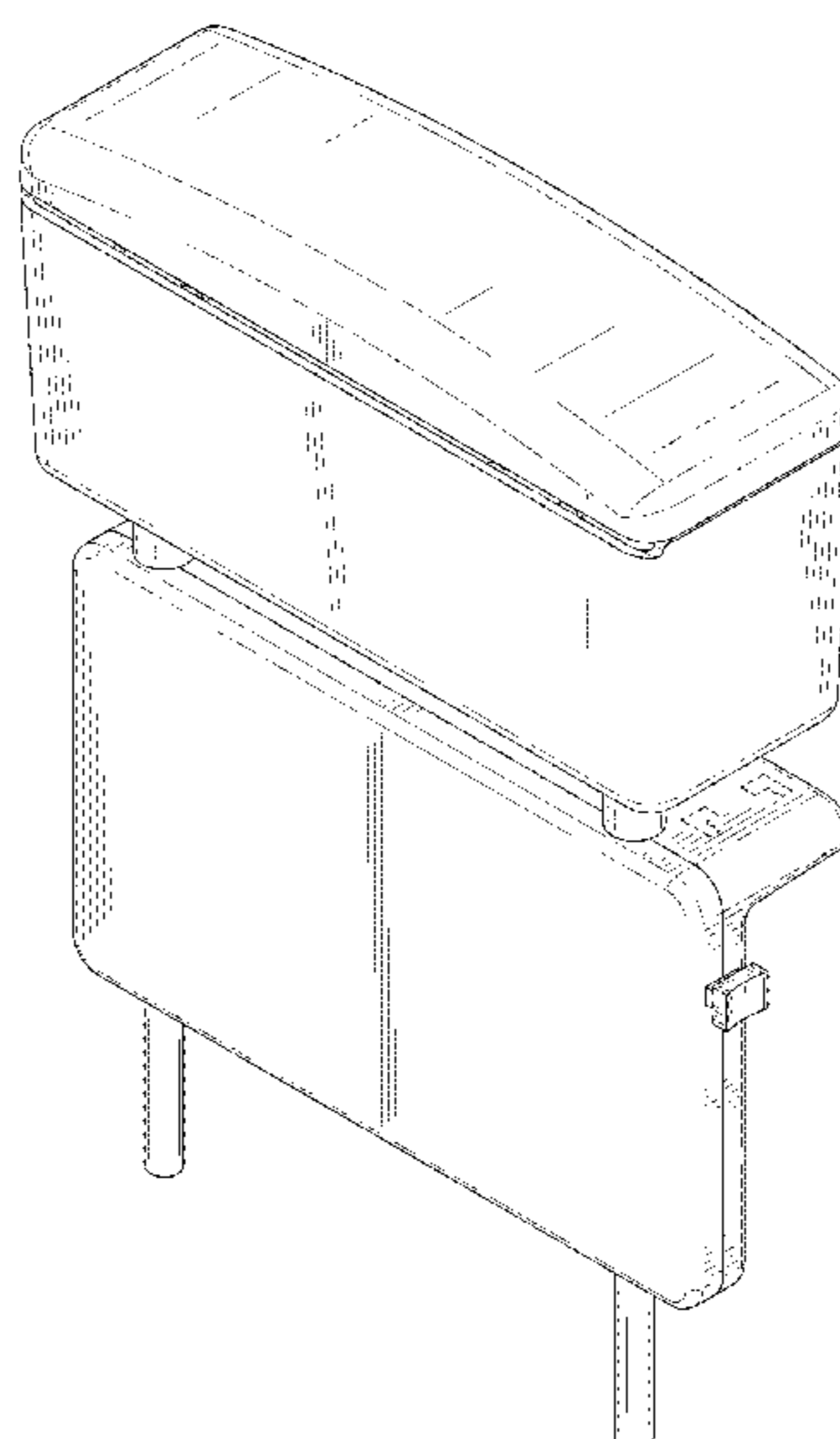
(57) **CLAIM**

The ornamental design for a slit armrest, as shown and described.

DESCRIPTION

FIG. 1 is a front, right, and top perspective view of a slit armrest, showing my design.
FIG. 2 is a rear, left, and bottom perspective view thereof.
FIG. 3 is a front elevation view thereof.
FIG. 4 is a rear elevation view thereof.
FIG. 5 is a left side elevation view thereof.
FIG. 6 is a right side elevation view thereof.
FIG. 7 is a top plan view thereof.
FIG. 8 is a bottom plan view thereof; and,
FIG. 9 is a front, right, and top perspective view of the slit armrest of FIG. 1, shown with the storage box in an alternate open position of use.
The broken lines shown in the drawings are included for the purpose of illustrating portions of the slit armrest that form no part of the claimed design.

1 Claim, 9 Drawing Sheets



(56)

References Cited

U.S. PATENT DOCUMENTS

D963,548 S * 9/2022 Zhu D12/419
D1,005,217 S * 11/2023 Chen D12/421
D1,009,770 S * 1/2024 Chen D12/421
2019/0291620 A1 * 9/2019 Sosa B60N 2/865

OTHER PUBLICATIONS

CN202030559011.X, Application date: Sep. 18, 2020, China National Intellectual Property Administration, Publication date: Mar. 30, 2021, Owner: Yang Dehui, Creator: Yang Dehui. (Year: 2021).*

CN202030647776.9, Application date: Oct. 29, 2020, China National Intellectual Property Administration, Publication date: Apr. 27, 2021, Owner: Wu Jianda, Creator: Wu Jianda. (Year: 2021).*

CN202030828174.3, Application date: Dec. 31, 2020, China National Intellectual Property Administration, Publication date: May 4, 2021, Owner: Foshan Shunde chezhifu Automobile Products Co Ltd, Creator: Li Gang. (Year: 2021).*

* cited by examiner

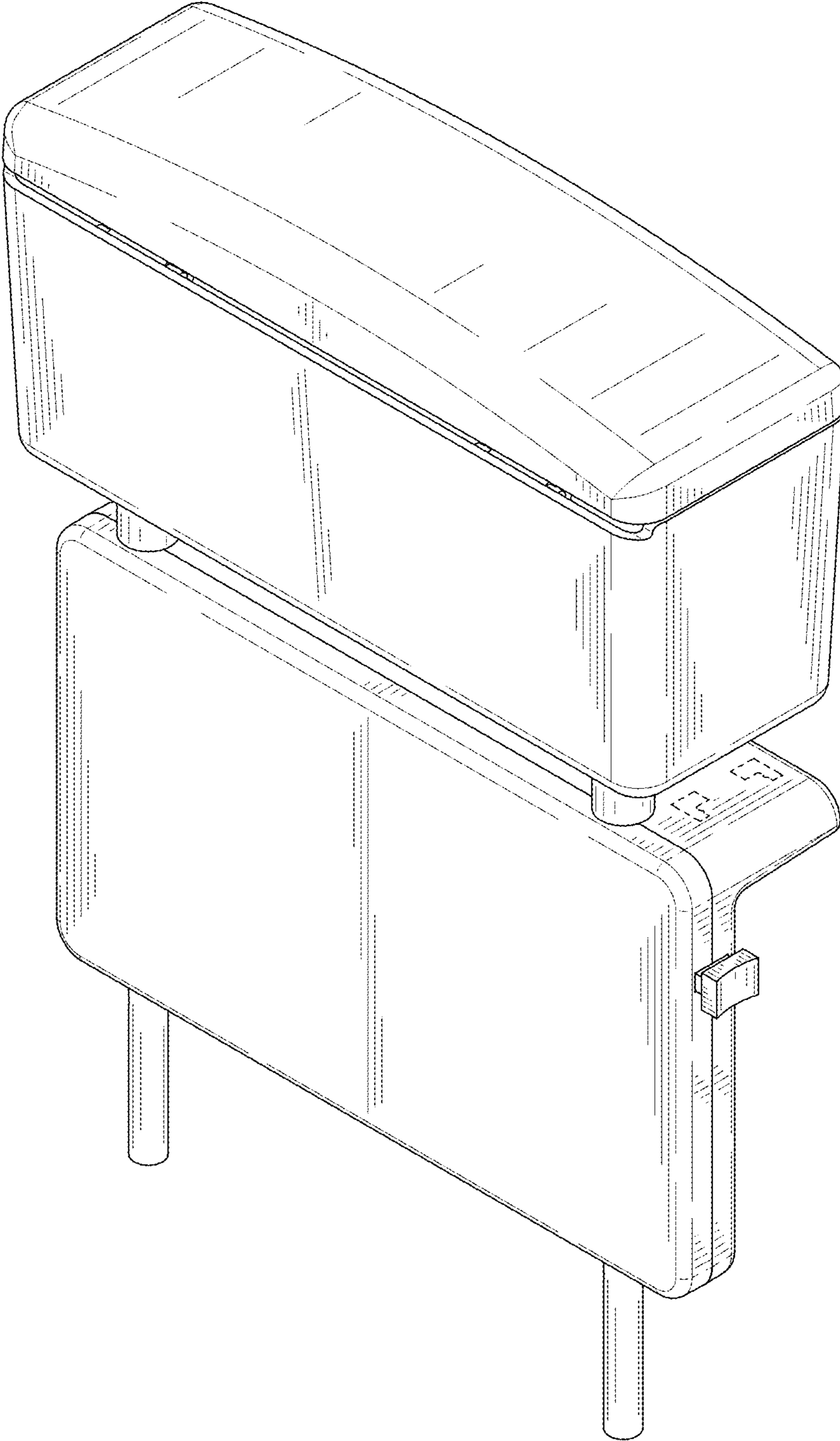


FIG. 1

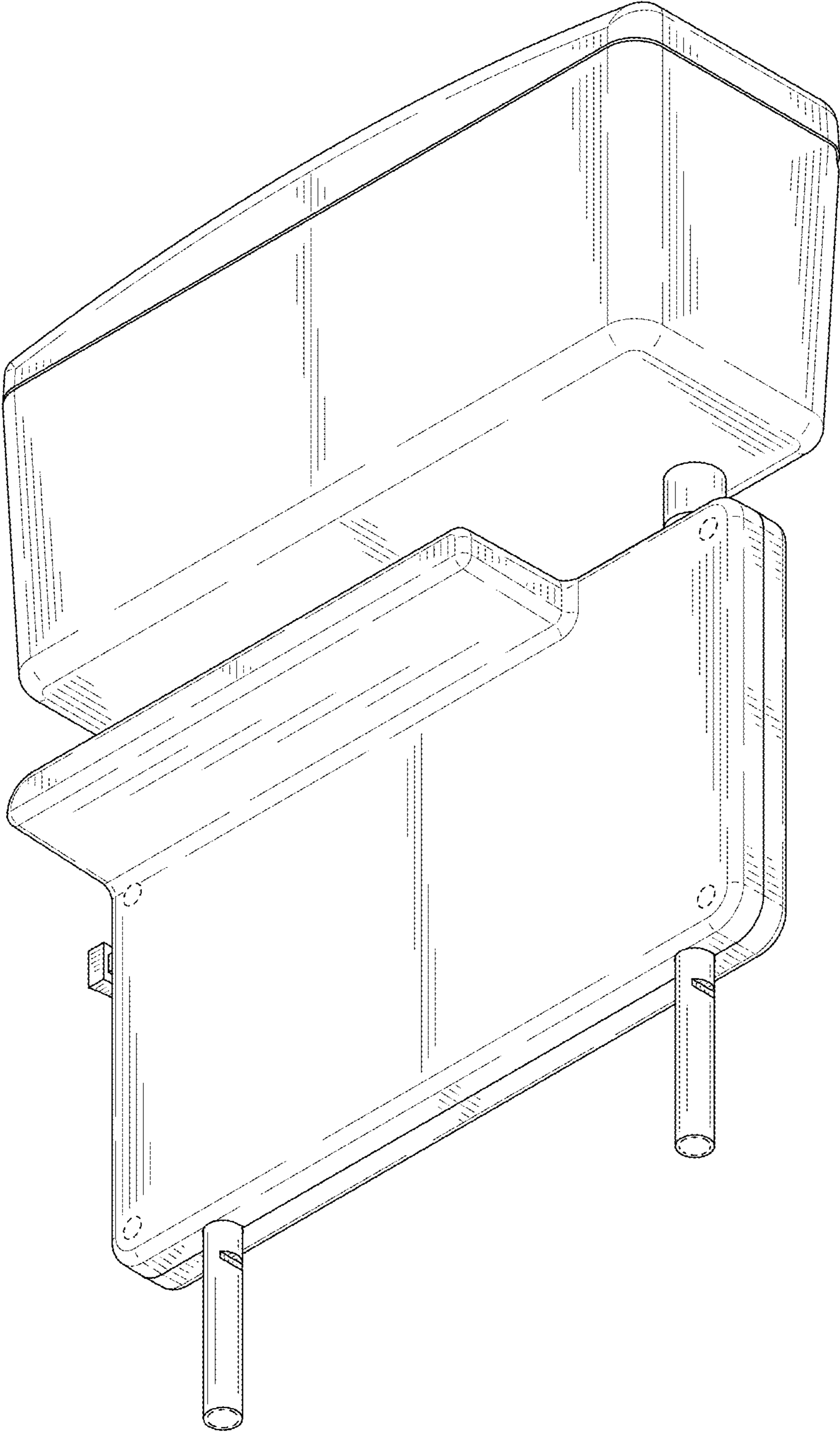


FIG. 2

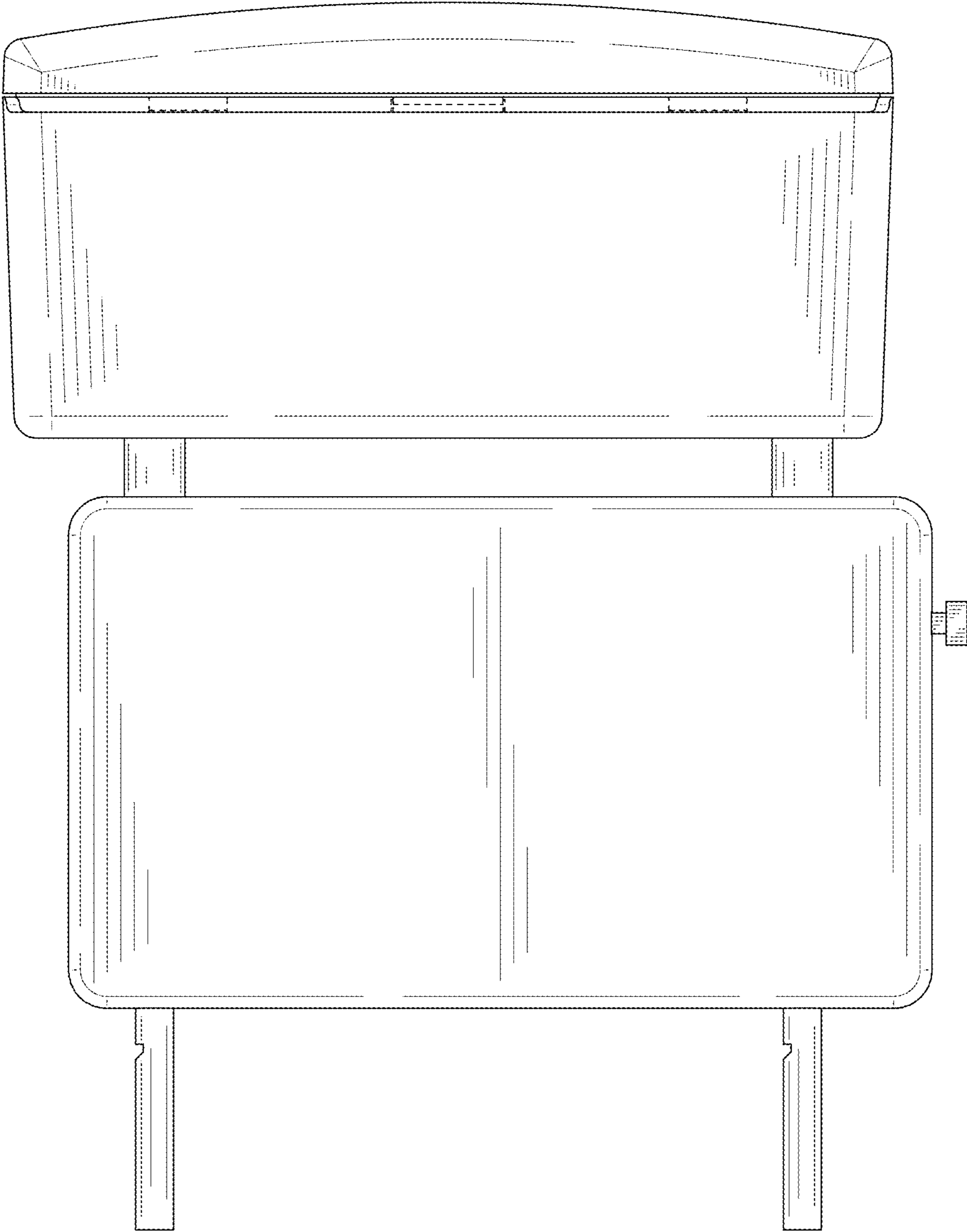


FIG. 3

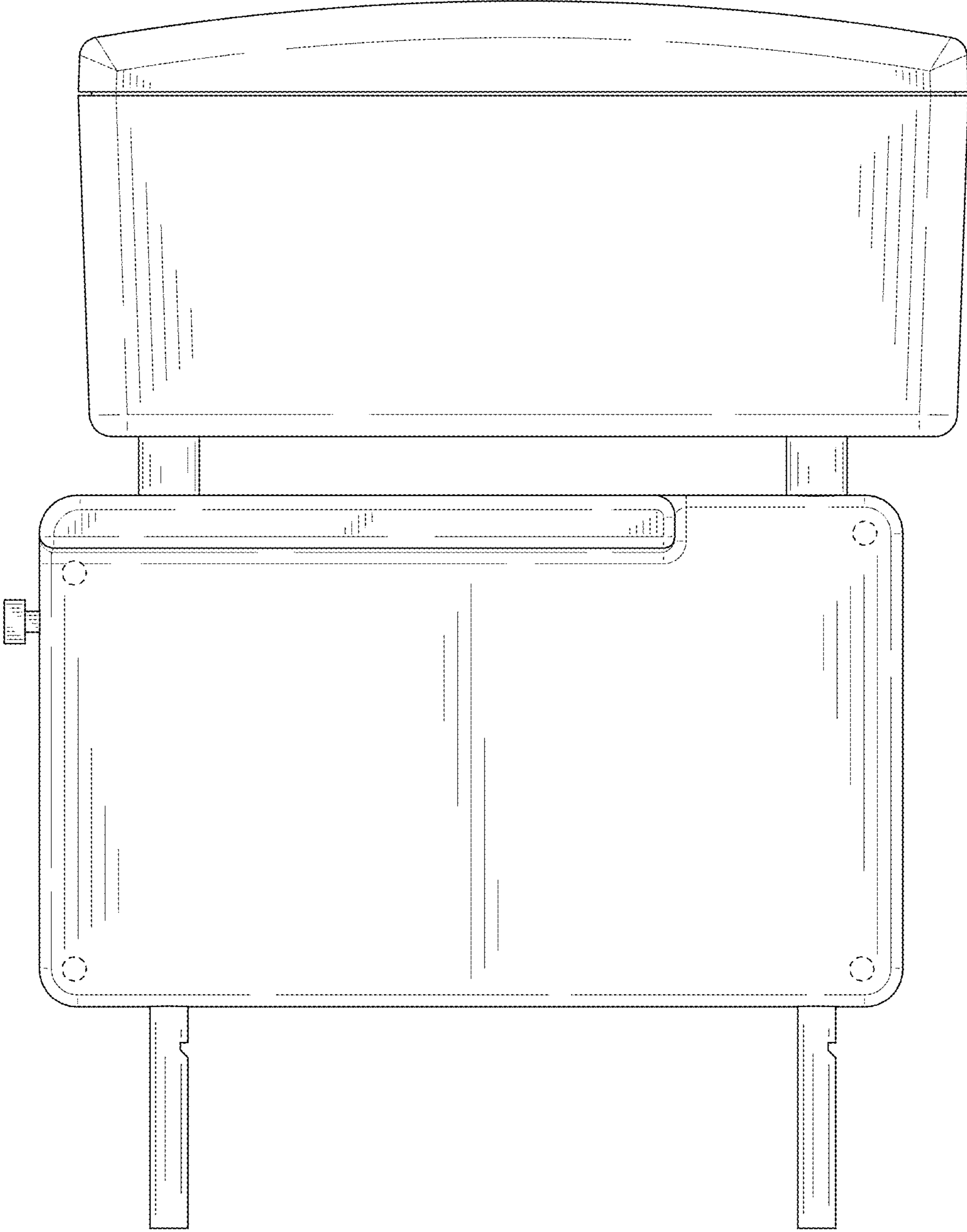


FIG. 4

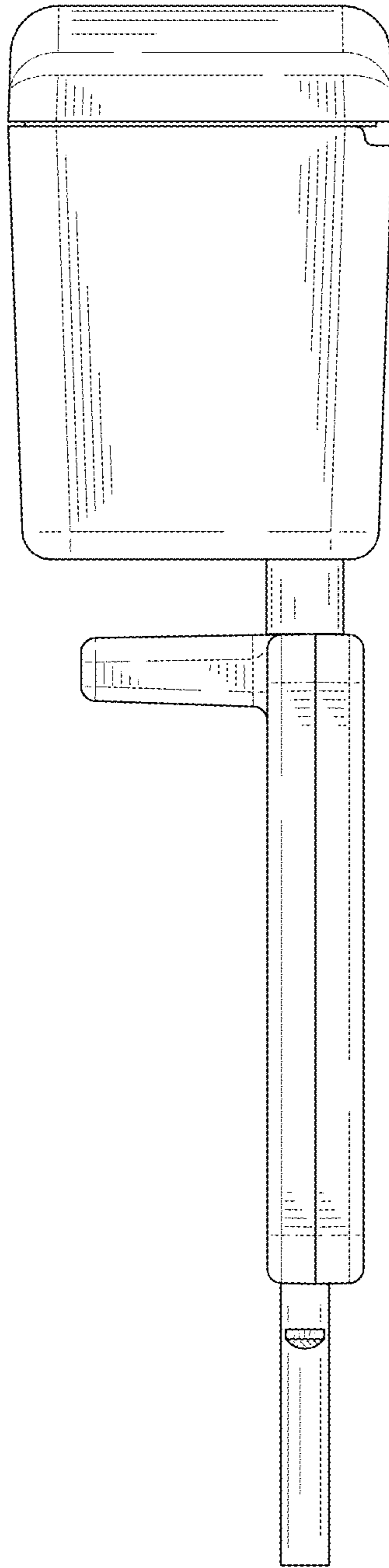


FIG. 5

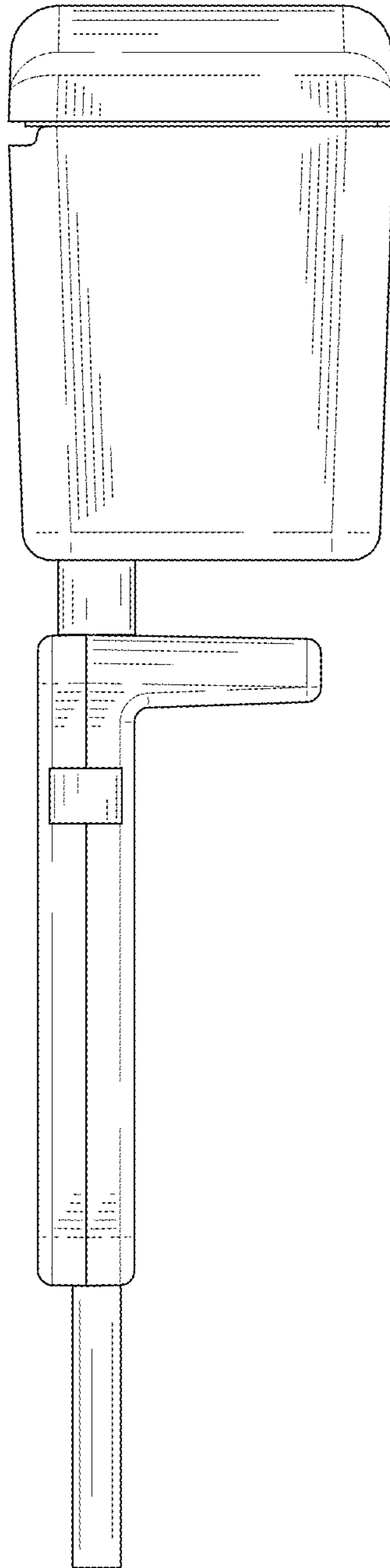


FIG. 6

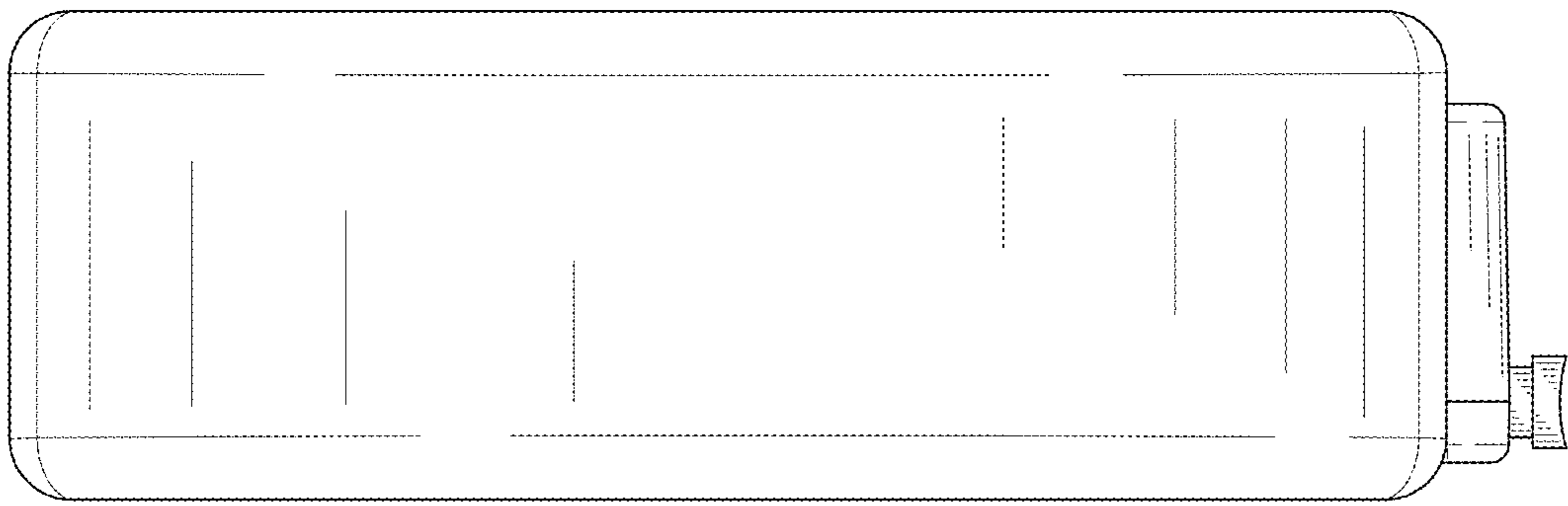


FIG. 7

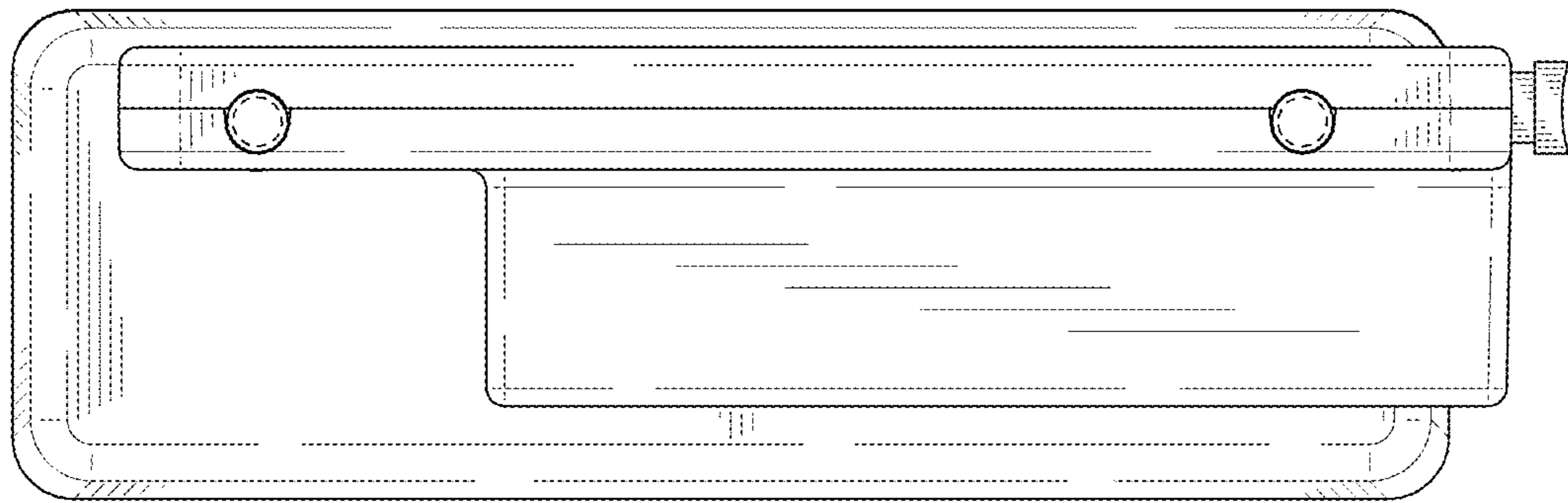


FIG. 8

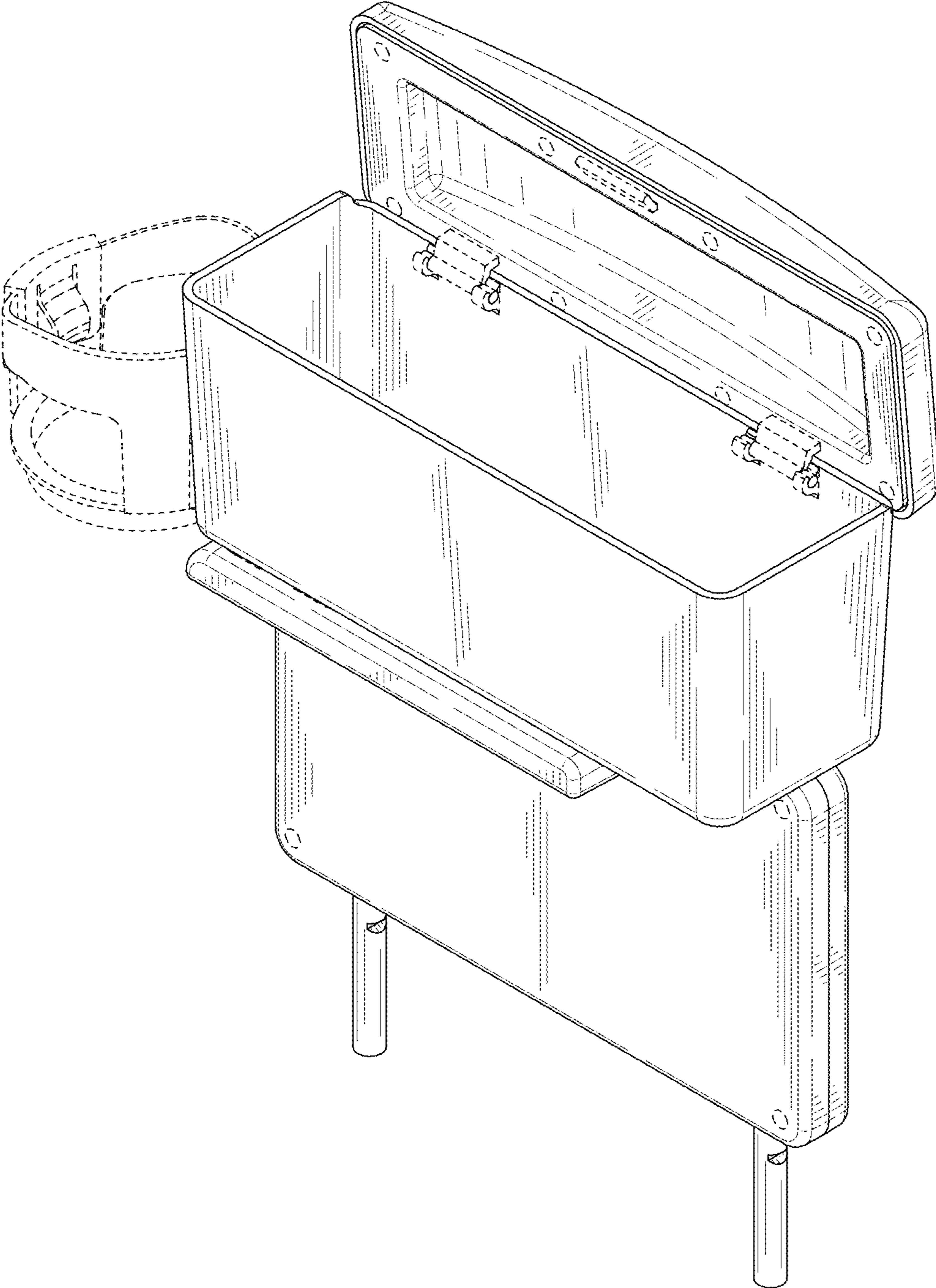


FIG. 9