



US0D1021401S

(12) **United States Design Patent** (10) **Patent No.:** **US D1,021,401 S**
Ruiz-Rodriquez (45) **Date of Patent:** **** Apr. 9, 2024**

(54) **BADGE ORGANIZER**

(71) Applicant: **UT-Battelle, LLC**, Oak Ridge, TN (US)

(72) Inventor: **Mariano M. Ruiz-Rodriquez**, Oak Ridge, TN (US)

(73) Assignee: **UT-Battelle, LLC**, Oak Ridge, TN (US)

(**) Term: **15 Years**

(21) Appl. No.: **29/846,686**

(22) Filed: **Jul. 19, 2022**

(51) **LOC (14) Cl.** **03-01**

(52) **U.S. Cl.**
USPC **D3/247**

(58) **Field of Classification Search**
USPC D3/201, 247, 248, 249, 250, 302, 318, D3/303, 218; D6/300; D9/418, 426; D20/22, 43; D19/26; D14/250, 251, D14/440; D8/105
CPC B65D 75/22; B65D 81/02; B65D 83/12; G02B 25/005; G02B 6/0081; G09F 23/0066; G09F 1/10; G09F 3/18; G03B 21/64; A47G 1/065; A47G 1/12; A45C 11/182; A45C 1/06; A45C 15/00; A45C 11/00; A45C 13/185; G07B 3/12; G06K 19/02; G06K 19/07345; A45F 5/00
See application file for complete search history.

(56) **References Cited**

U.S. PATENT DOCUMENTS

- 4,356,646 A * 11/1982 Johnson, Jr. G09F 3/18 101/369
- 4,518,080 A * 5/1985 Ohlson A45C 11/182 206/39
- D345,860 S * 4/1994 Lacy D3/247

- D728,930 S * 5/2015 Kalbach D3/247
 - 9,339,094 B2 * 5/2016 Tucker-Skow A45C 11/182
 - D765,392 S * 9/2016 Chang D3/218
- (Continued)

FOREIGN PATENT DOCUMENTS

JP D1676251 * 1/2021

OTHER PUBLICATIONS

Amazon.com, Site visited Nov. 3, 2023, Nite Ize Financial Tool RFID Blocking Wallet, Date First available, Dec. 22, 2016, <https://www.amazon.com/Nite-Ize-Financial-Dual-Plated-Protection/dp/B01N0TGP0T> (Year: 2016).*

(Continued)

Primary Examiner — Brett Miller

Assistant Examiner — Jessica M Gebhart

(74) *Attorney, Agent, or Firm* — Warner Norcross + Judd LLP

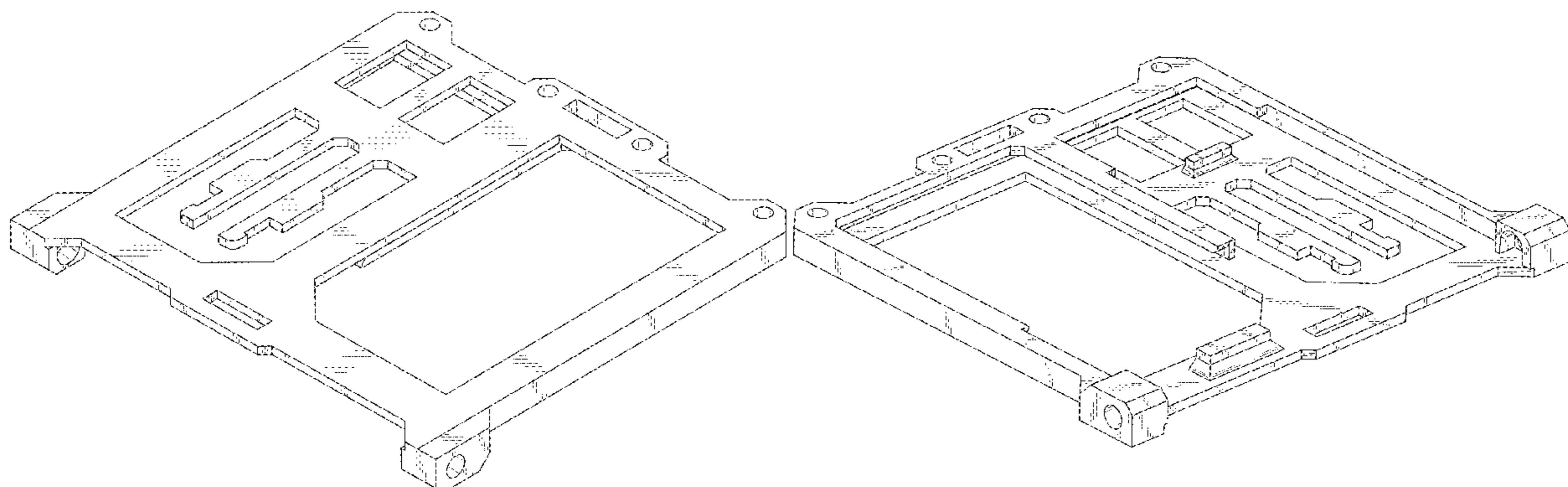
(57) **CLAIM**

The ornamental design for a badge organizer, as shown and described.

DESCRIPTION

FIG. 1 is a perspective view from the top, front, left of a badge organizer showing the new design;
 FIG. 2 is a perspective view from the bottom, rear, right thereof;
 FIG. 3 is a top view thereof;
 FIG. 4 is a bottom view thereof;
 FIG. 5 is a left side view thereof;
 FIG. 6 is a right side view thereof;
 FIG. 7 is a front view thereof;
 FIG. 8 is a rear view thereof;
 FIG. 9 is a perspective view from the bottom, rear thereof;
 FIG. 10 is a perspective view from the top, rear, right thereof; and,
 FIG. 11 is a perspective view from the top, rear, left thereof.

1 Claim, 9 Drawing Sheets



(56)

References Cited

U.S. PATENT DOCUMENTS

D814,182 S * 4/2018 Haarburger D3/247
10,123,596 B2 * 11/2018 King A45C 11/182
D881,671 S * 4/2020 Kao D8/105
D909,059 S * 2/2021 Leh D3/247
D934,560 S * 11/2021 Tran D3/247

OTHER PUBLICATIONS

Amazon.com, Site visited Nov. 15, 2023, Cobee Hard Plastic Badge Holder, Date first available, Mar. 30, 2022, <https://www.amazon.com/Plastic-Holders-Pieces-Protector-Transparent-Card/dp/B09WVKF452> (Year: 2022).*

Amazon.co.uk, Site visited Nov. 15, 2023, The Quiqlite Wallet, Date first available, Jun. 30, 2022, <https://www.amazon.co.uk/QUIQLITE-TAQTracker-Rechargeable-Flashlight-Multi-Tool/dp/B09TWXLM2K> (Year: 2022).*

* cited by examiner

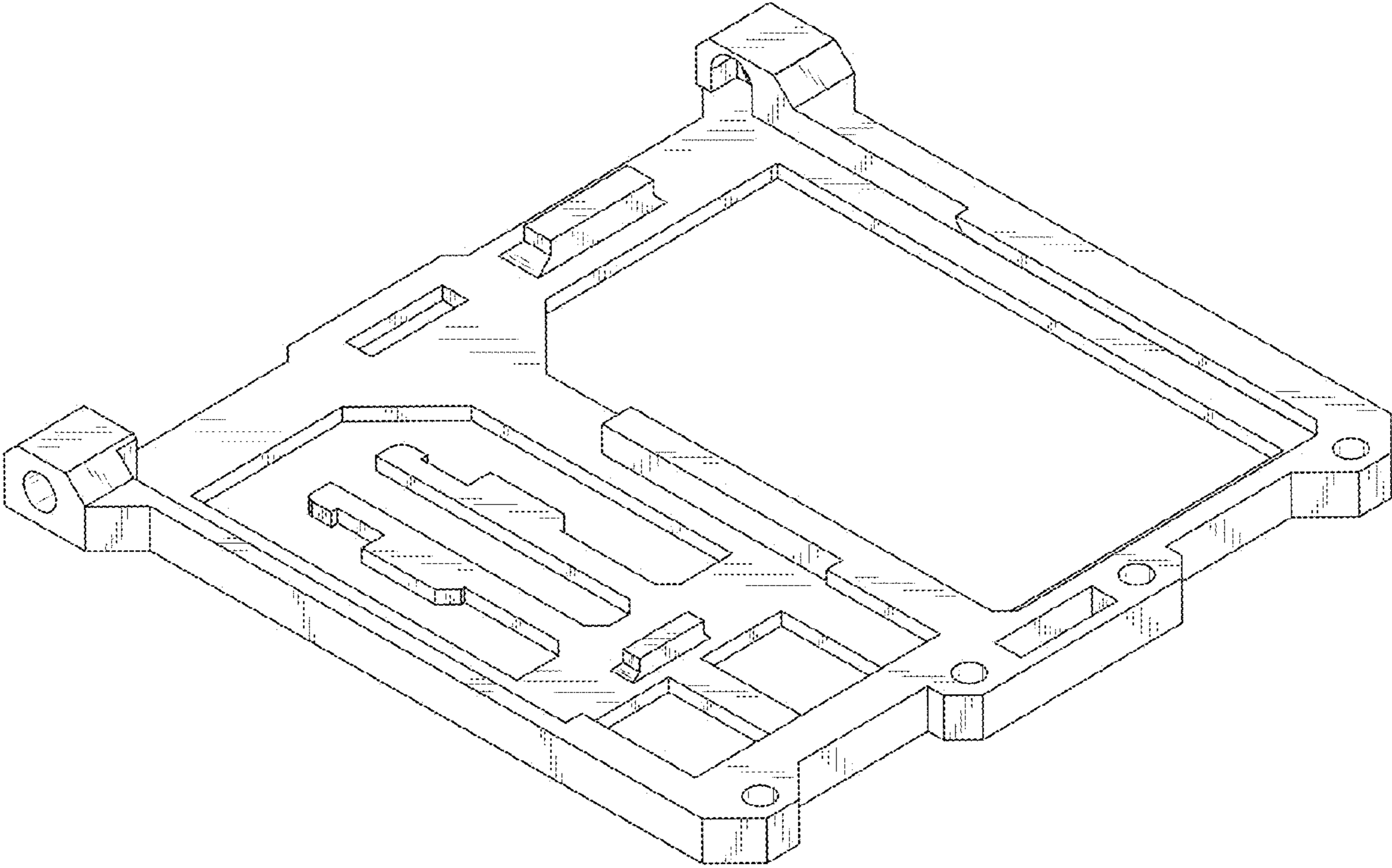


FIG. 1

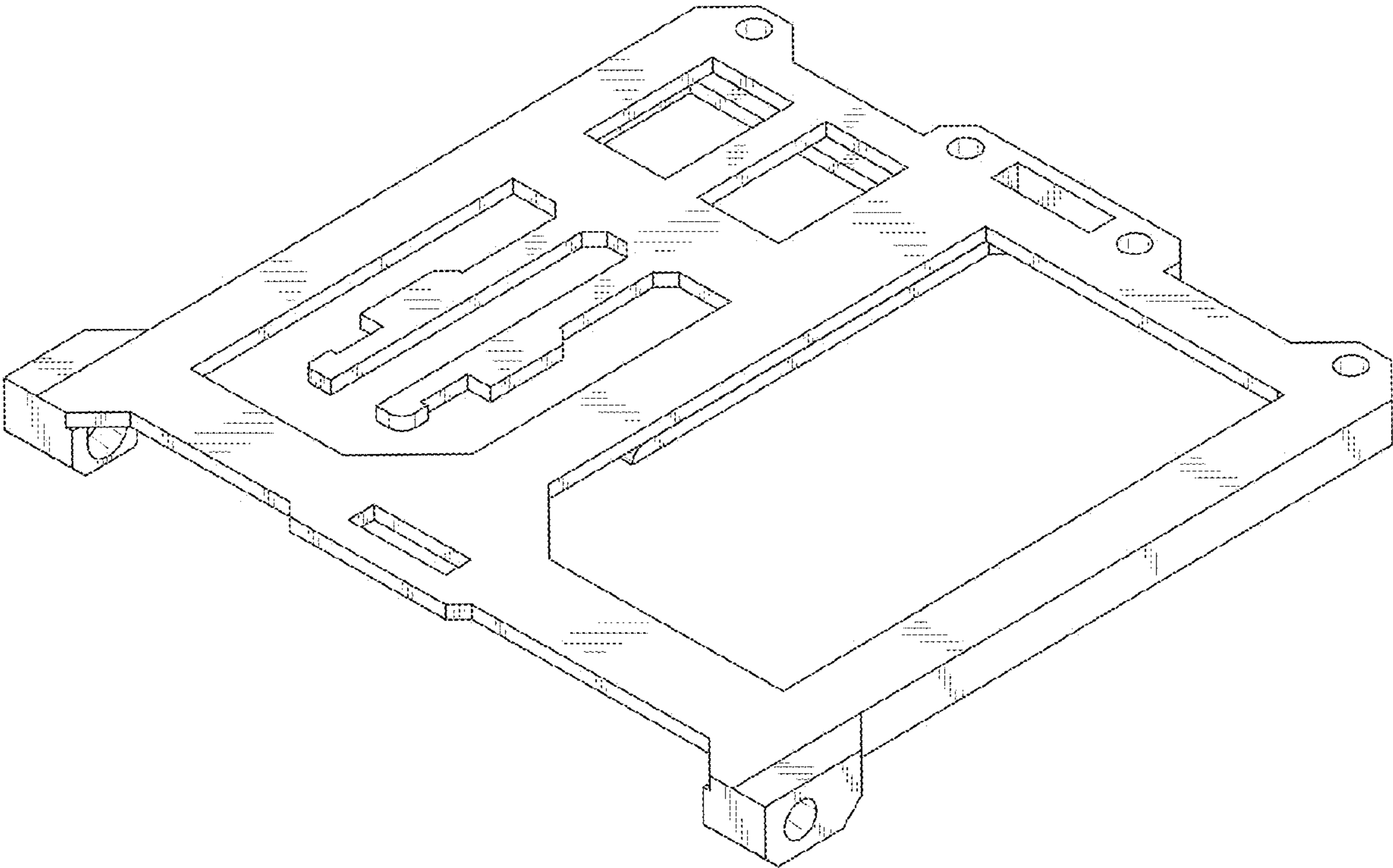


FIG. 2

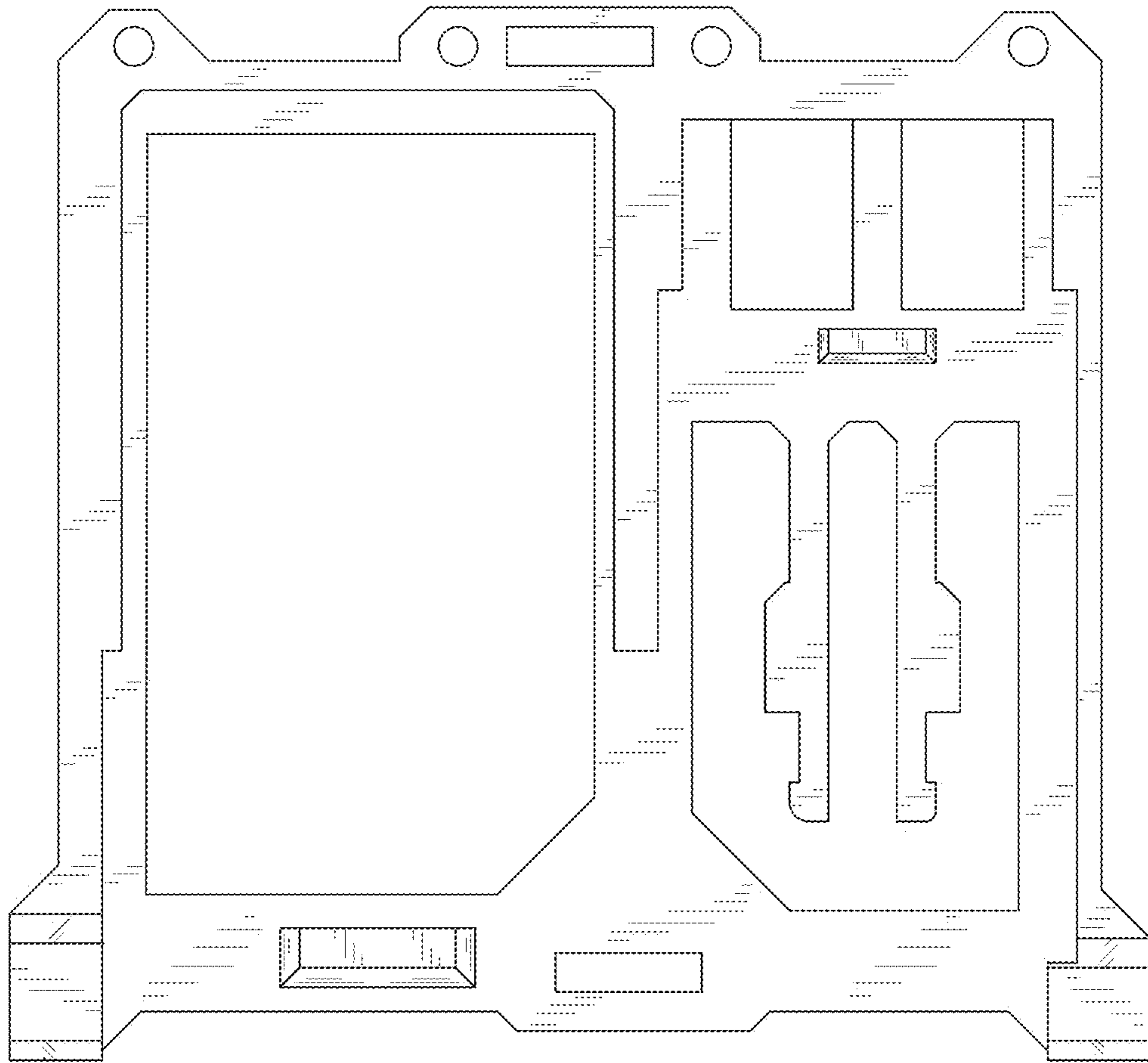


FIG. 3

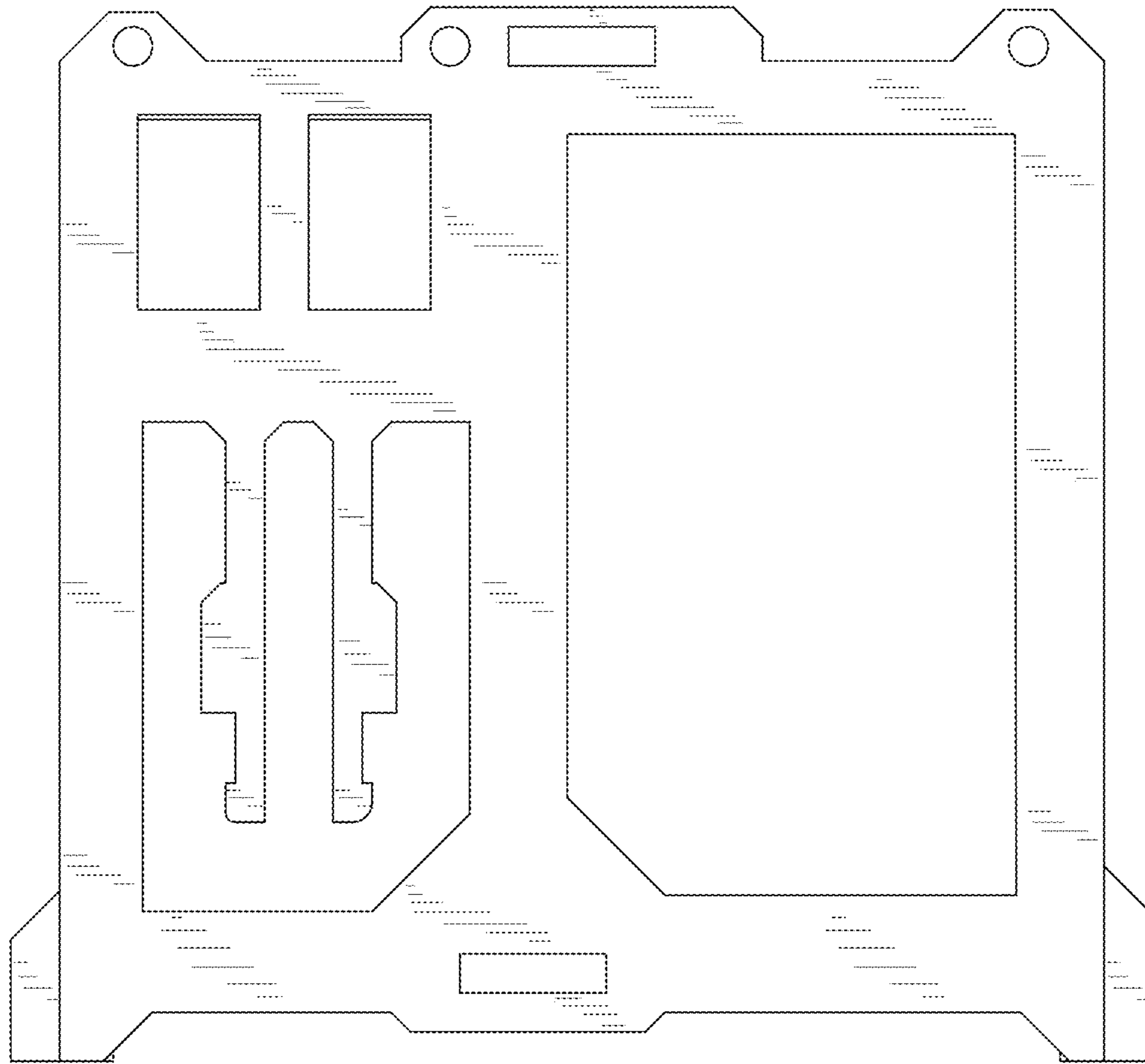


FIG. 4

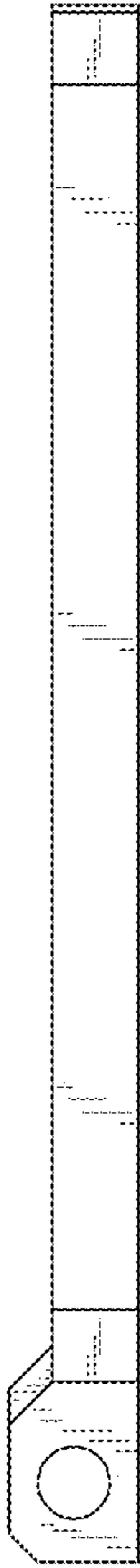


FIG. 5

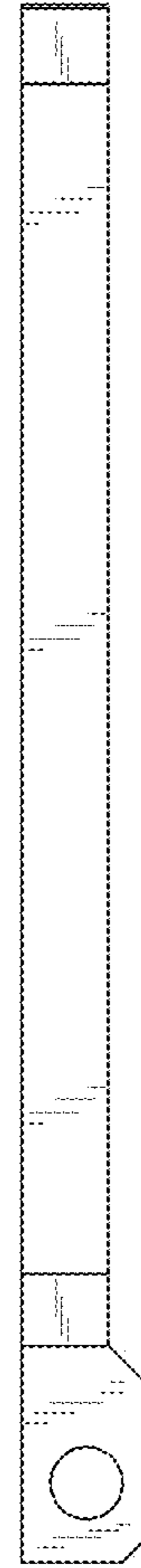


FIG. 6



FIG. 7



FIG. 8

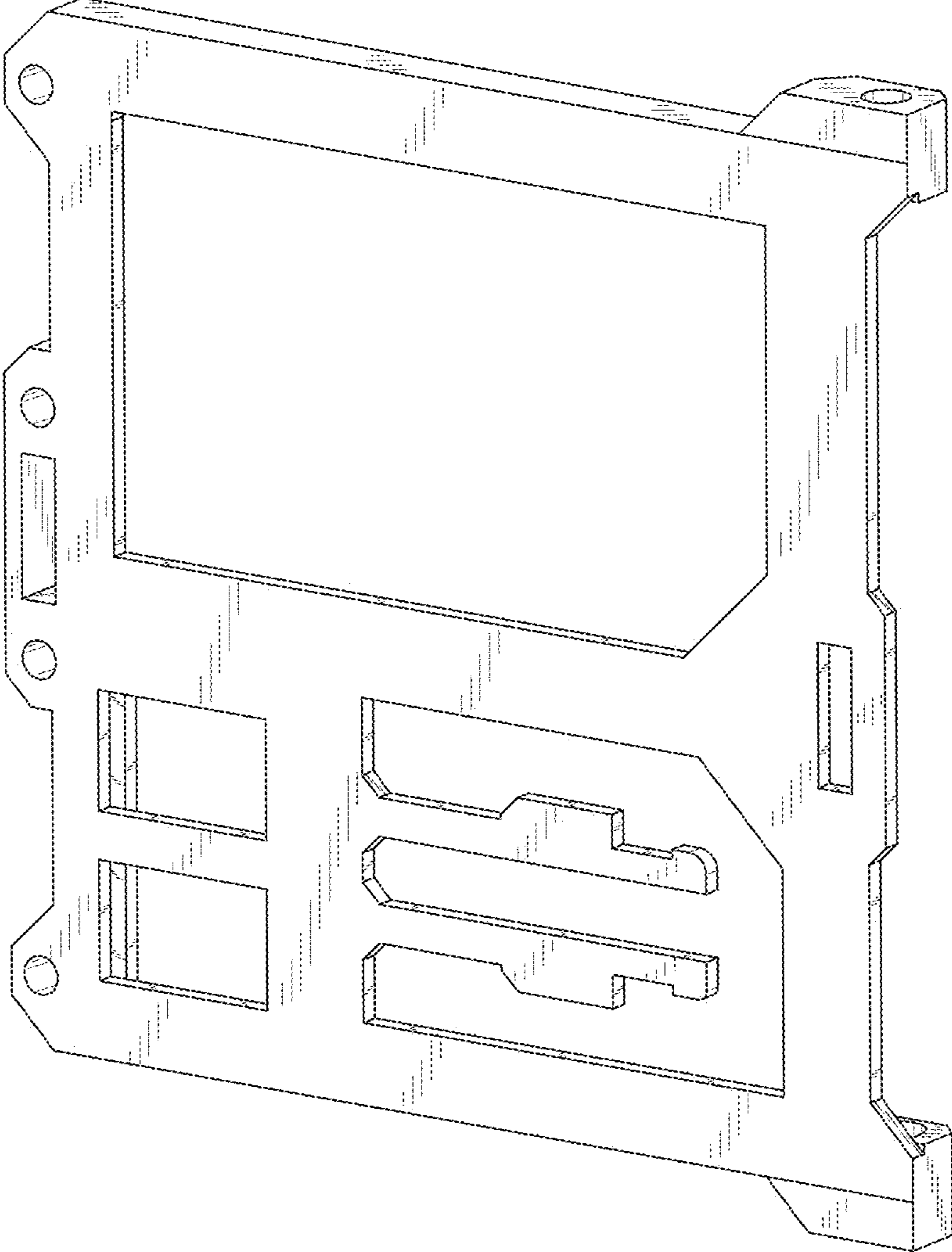


FIG. 9

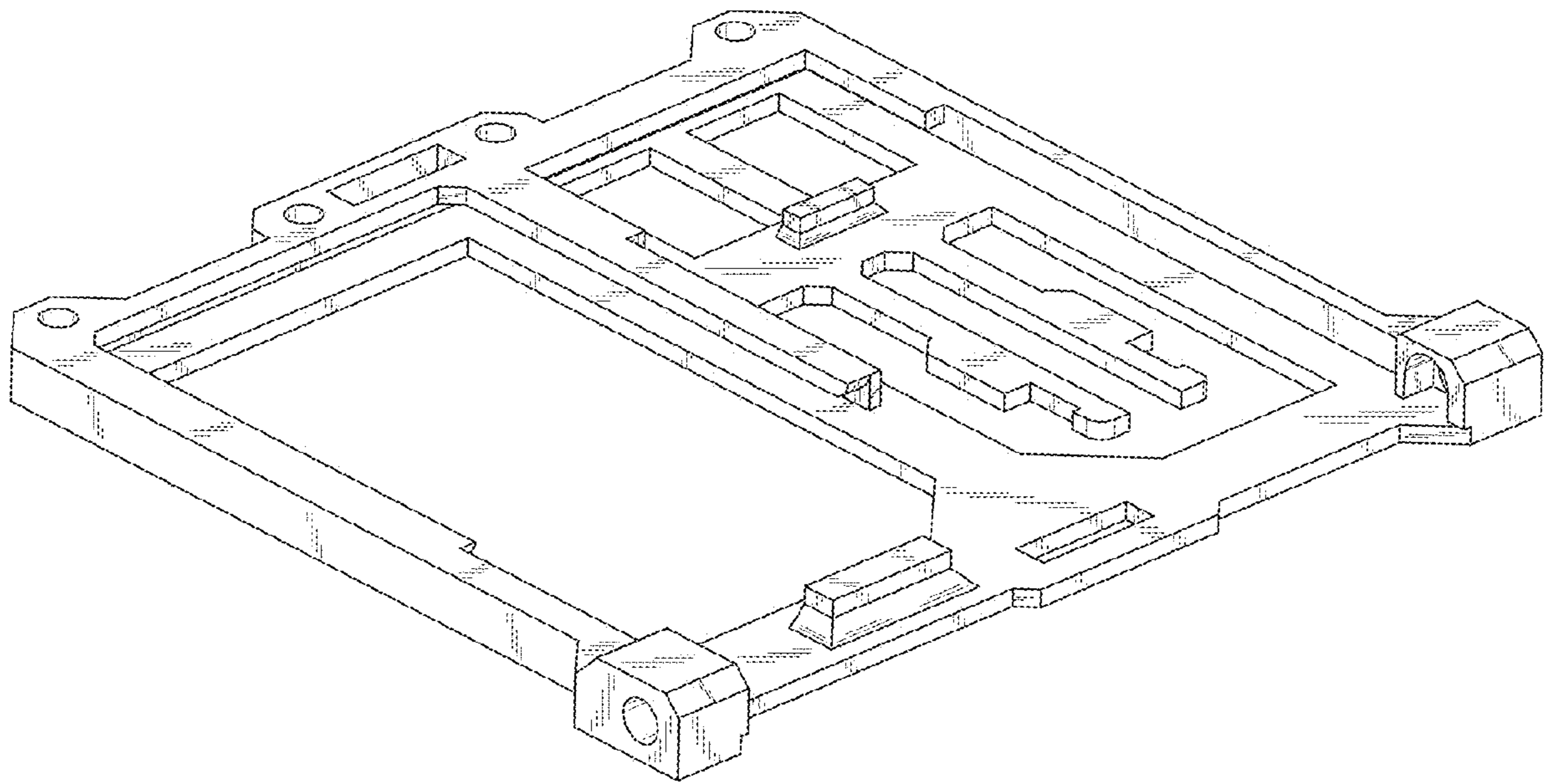


FIG. 10

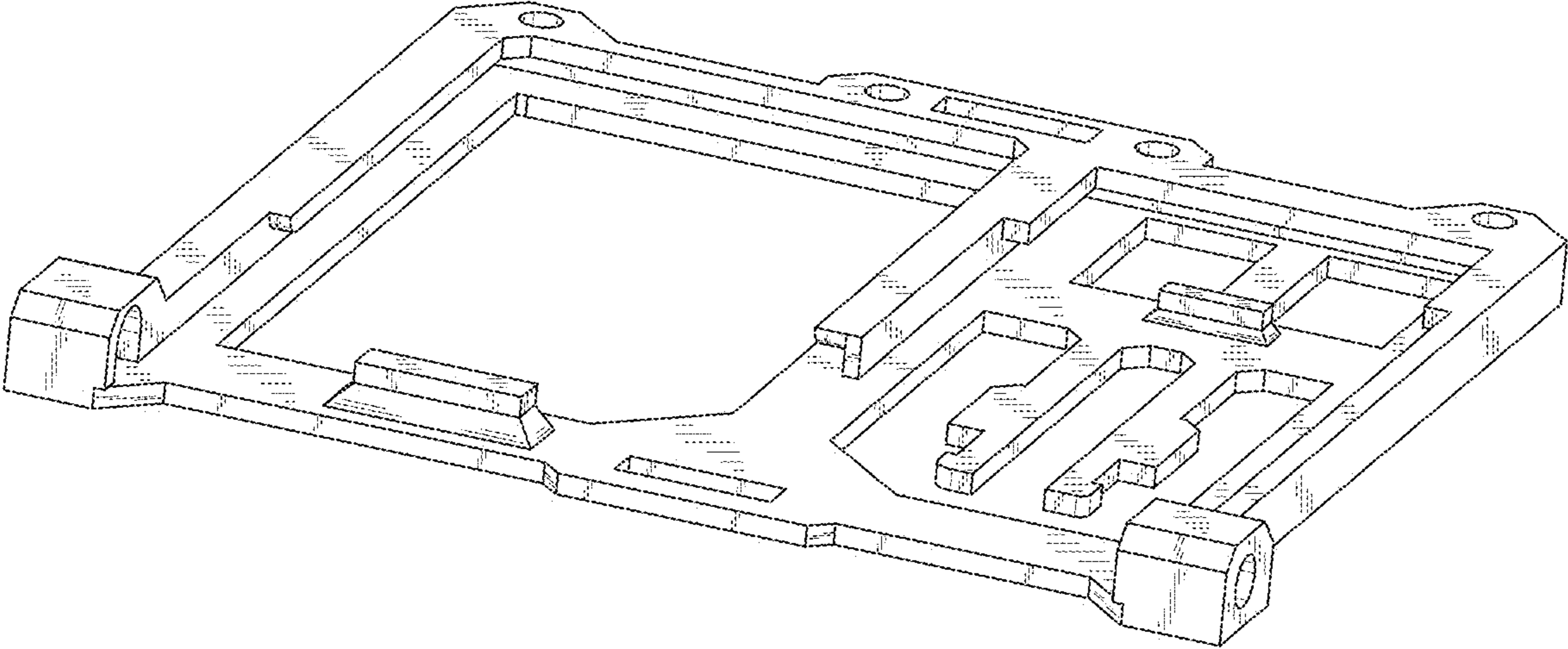


FIG. 11