



US0D1021380S

(12) **United States Design Patent** (10) **Patent No.:** **US D1,021,380 S**
Beatty (45) **Date of Patent:** **** Apr. 9, 2024**

(54) **DOG EXCREMENT CARRIER BAG**

(71) Applicant: **Christopher Beatty**, San Diego, CA (US)

(72) Inventor: **Christopher Beatty**, San Diego, CA (US)

(**) Term: **15 Years**

(21) Appl. No.: **29/832,630**

(22) Filed: **Mar. 29, 2022**

(51) **LOC (14) Cl.** **03-05**

(52) **U.S. Cl.**
USPC **D3/215; D30/153**

(58) **Field of Classification Search**
USPC D3/215-217, 225, 226, 231, 232,
D3/252-253, 285-289, 299, 303, 321,
D3/327; D9/108, 109
CPC A45F 3/02; A45F 3/04; A45F 3/14; A45F
3/047; A45F 2200/00; A45F 4/02; A01K
23/005; A01K 27/008
See application file for complete search history.

(56) **References Cited**

U.S. PATENT DOCUMENTS

- 4,262,948 A * 4/1981 Emme A01K 23/005
294/1.5
- D292,127 S * 9/1987 Aiello D3/215
- D377,115 S * 1/1997 Feriend D24/117
- 5,727,500 A 3/1998 Conboy
- D393,504 S 4/1998 Eisman
- 6,019,067 A 2/2000 Carey
- D425,266 S * 5/2000 Rubinstein D30/153

(Continued)

FOREIGN PATENT DOCUMENTS

EM 015023264-0001 * 6/2023

OTHER PUBLICATIONS

All fur you poop can dog poop bag holder, posted at amazon.com, first available Jul. 27, 2022, retrieved on Oct. 25, 2023, online,

<https://www.amazon.com/All-Fur-You-Poop-Can/dp/B0B7RWLRT5?th=1> (Year: 2022).*

(Continued)

Primary Examiner — John R Yeh
Assistant Examiner — Dustin Andrew Griffith
(74) *Attorney, Agent, or Firm* — Procopio, Cory, Hargreaves & Savitch LLP

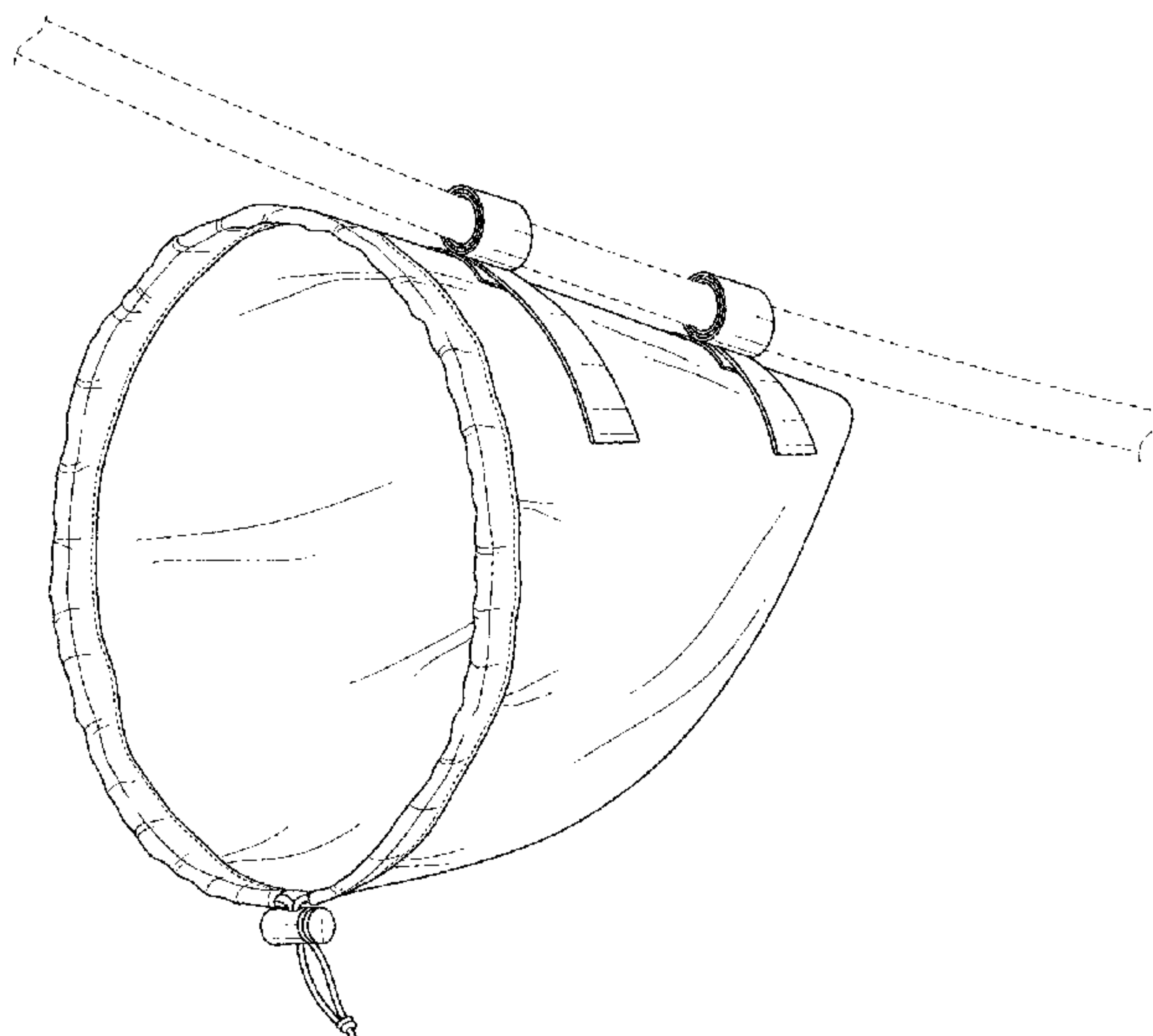
(57) **CLAIM**

The ornamental design for a dog excrement bag carrier, as shown and described.

DESCRIPTION

FIG. 1 is a perspective view of the dog excrement bag carrier.
FIG. 2 is a left side elevation view of the dog excrement bag carrier.
FIG. 3 is a right side elevational view of the dog excrement bag carrier.
FIG. 4 is a rear elevational view of the dog excrement bag carrier.
FIG. 5 is a front elevational view of the dog excrement bag carrier.
FIG. 6 is a top plan view of the dog excrement bag carrier.
FIG. 7 is a bottom plan view of the dog excrement bag carrier.
FIG. 8 is a perspective view of the dog excrement bag carrier in a closed configuration; and,
FIG. 9 is a perspective view of the dog excrement bag carrier in a closed and rolled up configuration.
The short dash-short dash broken lines depict portions of the dog excrement carrier bag that does not form part of the claimed design. The dash-dash broken lines depicting the dog leash is shown for environmental purposes and forms no part of the claimed design.

1 Claim, 7 Drawing Sheets



(56)

References Cited

U.S. PATENT DOCUMENTS

6,073,590 A 6/2000 Polding
 6,418,881 B1 7/2002 Starratt
 D488,591 S * 4/2004 Hall D30/153
 D685,957 S * 7/2013 Schiffman D30/153
 10,058,074 B1 8/2018 Bussell et al.
 10,455,815 B2 10/2019 Knight
 10,492,472 B1 12/2019 Moloznik
 10,596,443 B1 3/2020 Pomroy
 D909,748 S * 2/2021 Melton-Falcon D3/215
 D930,326 S * 9/2021 Robertson D2/725
 D944,467 S * 2/2022 Robinson D30/153
 2003/0111022 A1 7/2003 Woolley et al.
 2006/0054107 A1 3/2006 Baker
 2008/0017121 A1 1/2008 Mauro
 2008/0179902 A1 7/2008 Phillips et al.
 2009/0095225 A1* 4/2009 O'Connell E01H 1/1206
 119/161

2009/0096227 A1* 4/2009 Pender A01K 23/005
 294/1.5
 2010/0072765 A1* 3/2010 Granado A01K 23/005
 294/1.4
 2012/0234251 A1 9/2012 Harlan
 2018/0007868 A1* 1/2018 Knight E01H 1/1206

OTHER PUBLICATIONS

Olive & odin poop pouch, posted at amazon.com, first available Mar. 12, 2022, retrieved on Oct. 25, 2023, online, <https://www.amazon.com/Olive-Odin-Poop-Stash-Accessories/dp/B09PHX55GV> (Year: 2022).*

Wagboo odor insulated poop bag holder, posted at amazon.com, first available Feb. 22, 2023, retrieved on Oct. 25, 2023, online, <https://www.amazon.com/Wagboo-Reusable-Insulated-Business-Traveling/dp/B0BWLF6HXZ> (Year: 2023).*

* cited by examiner

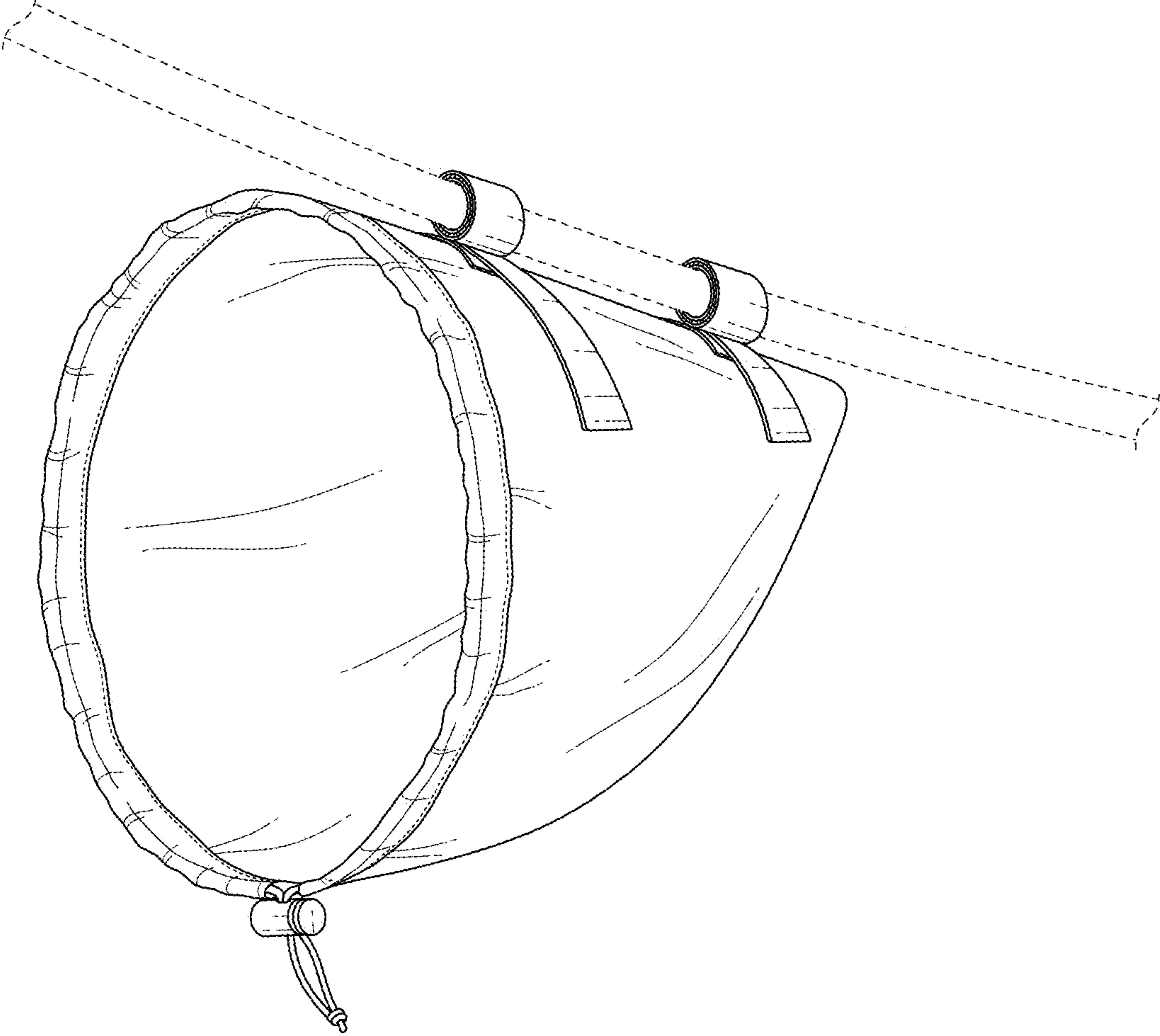


FIG. 1

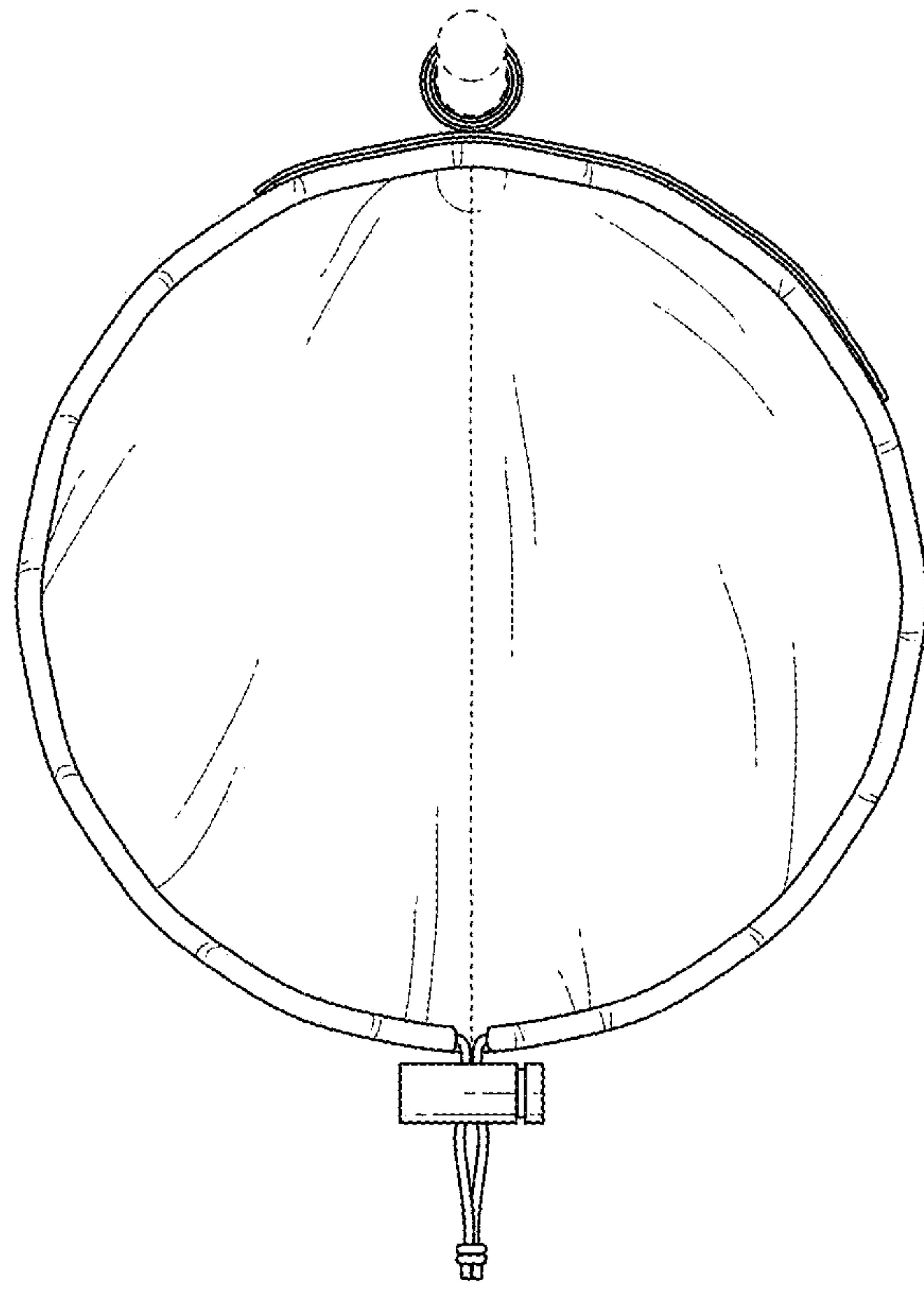


FIG. 2

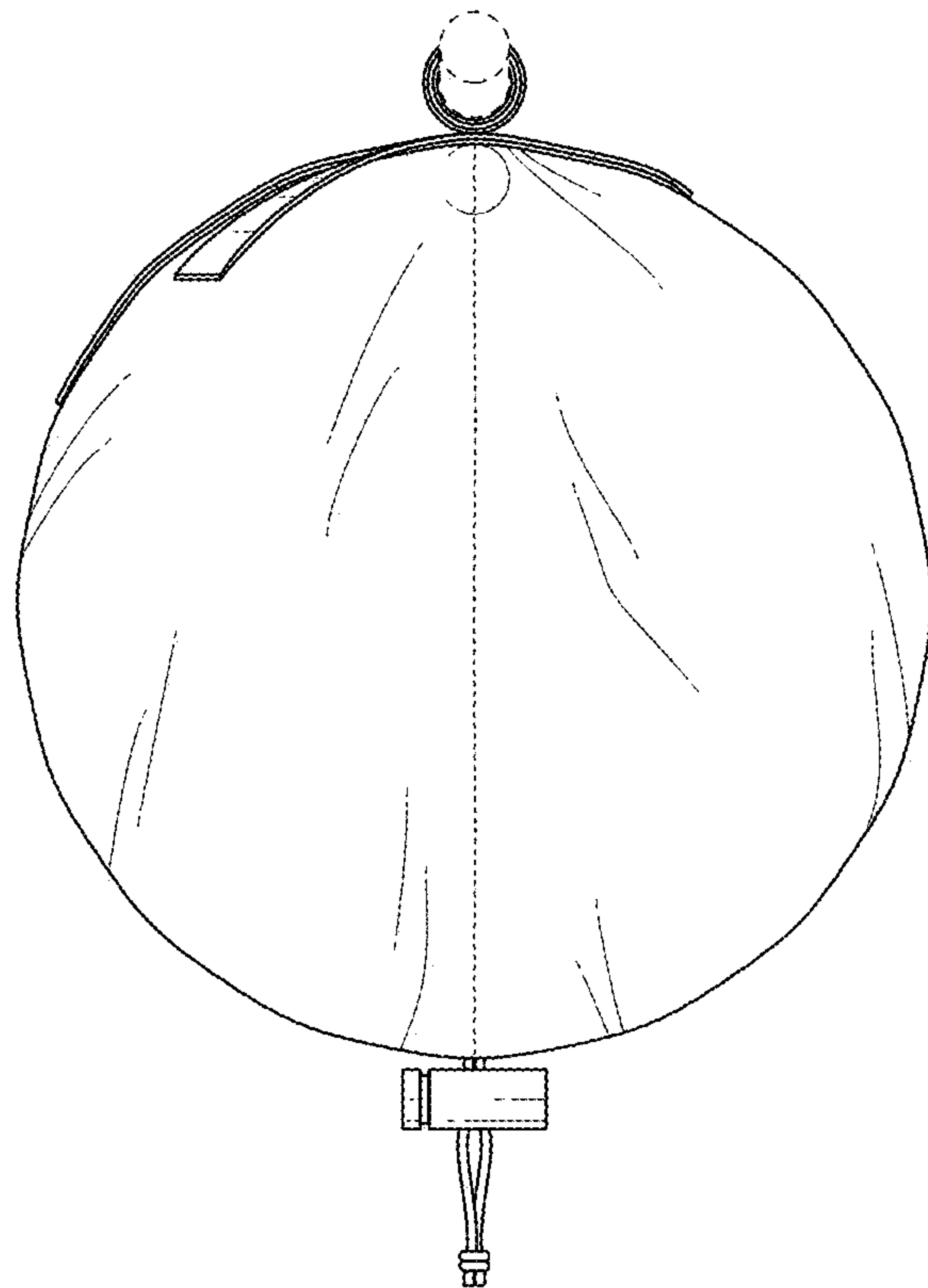


FIG. 3

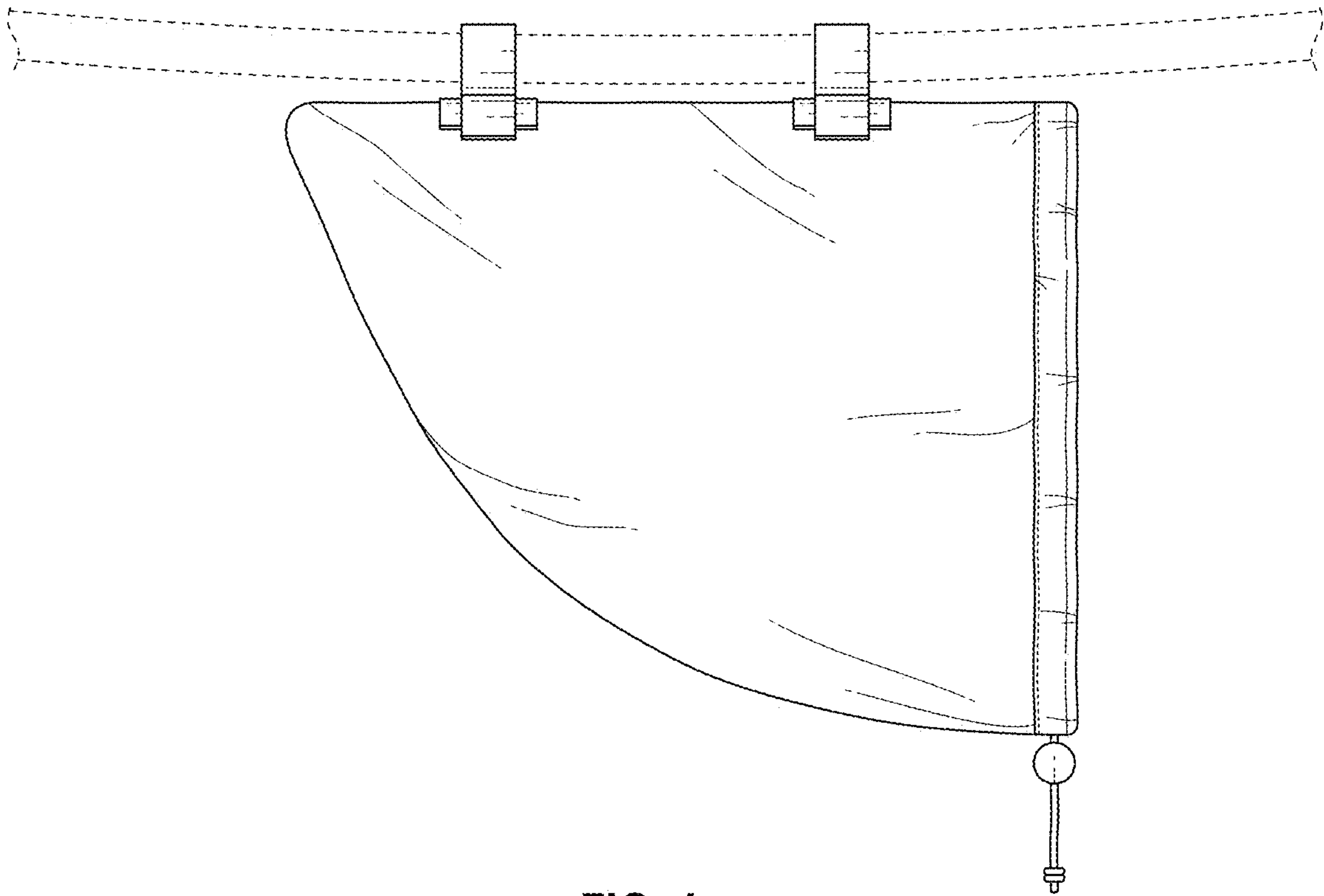


FIG. 4

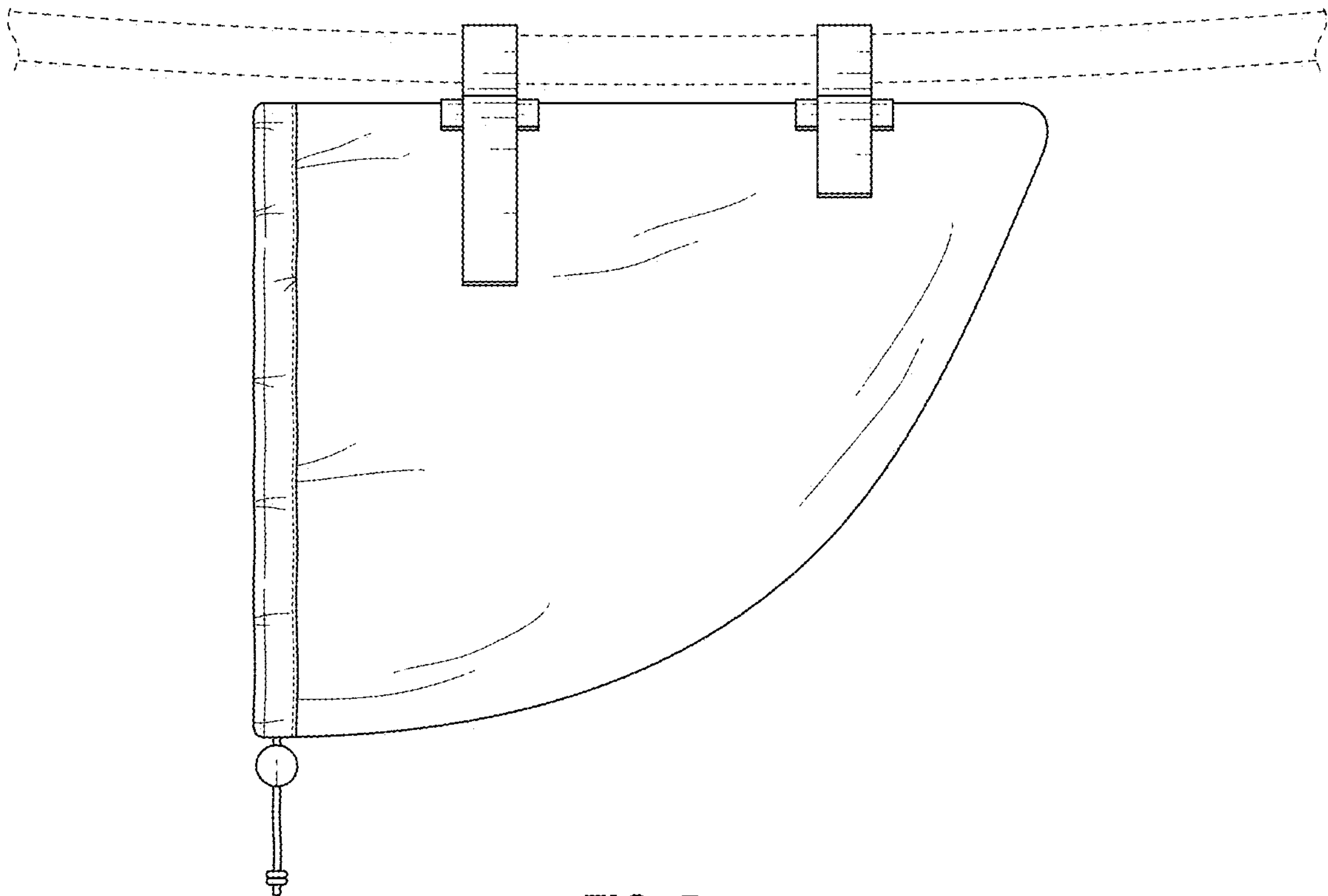


FIG. 5

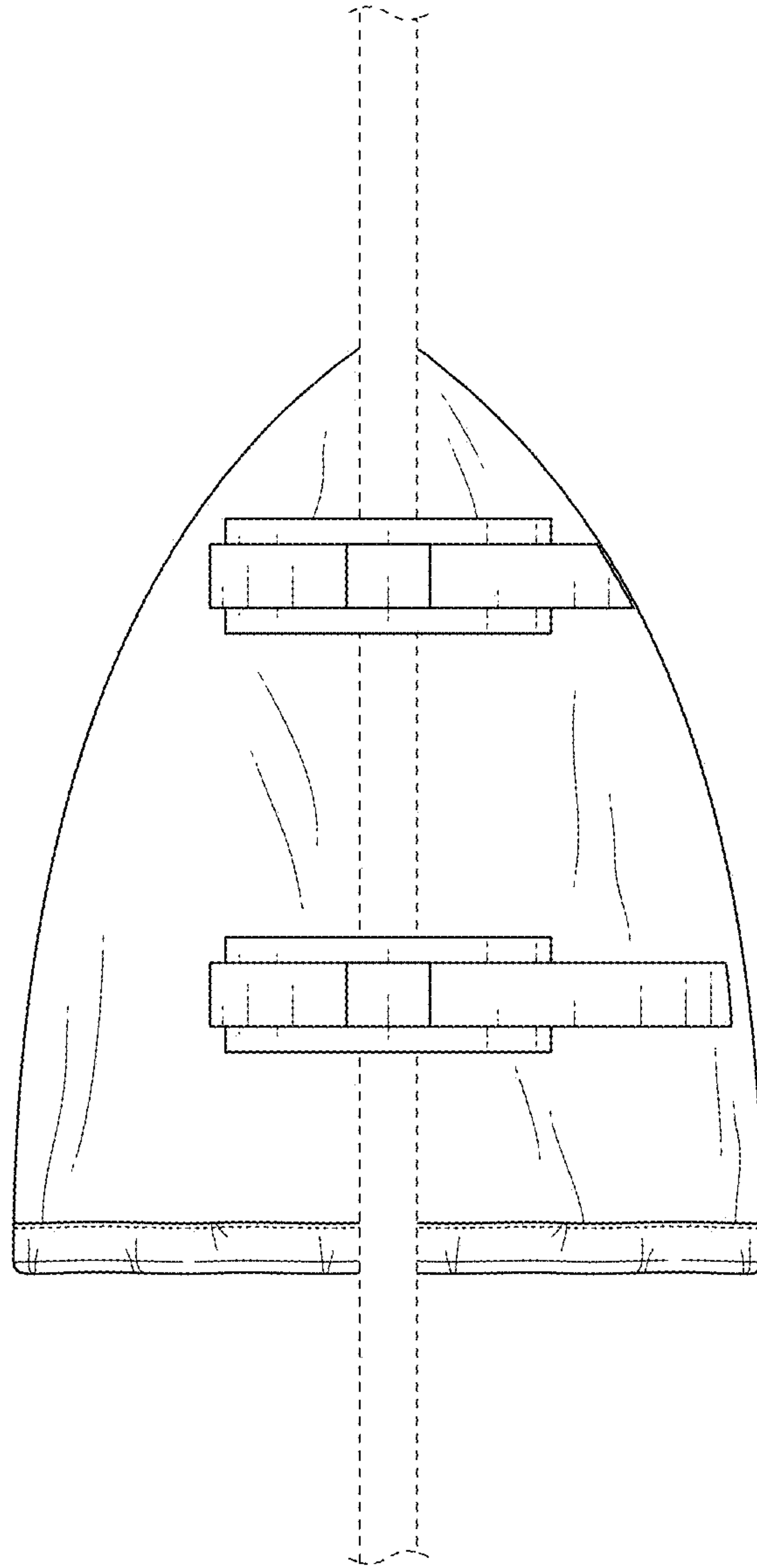


FIG. 6

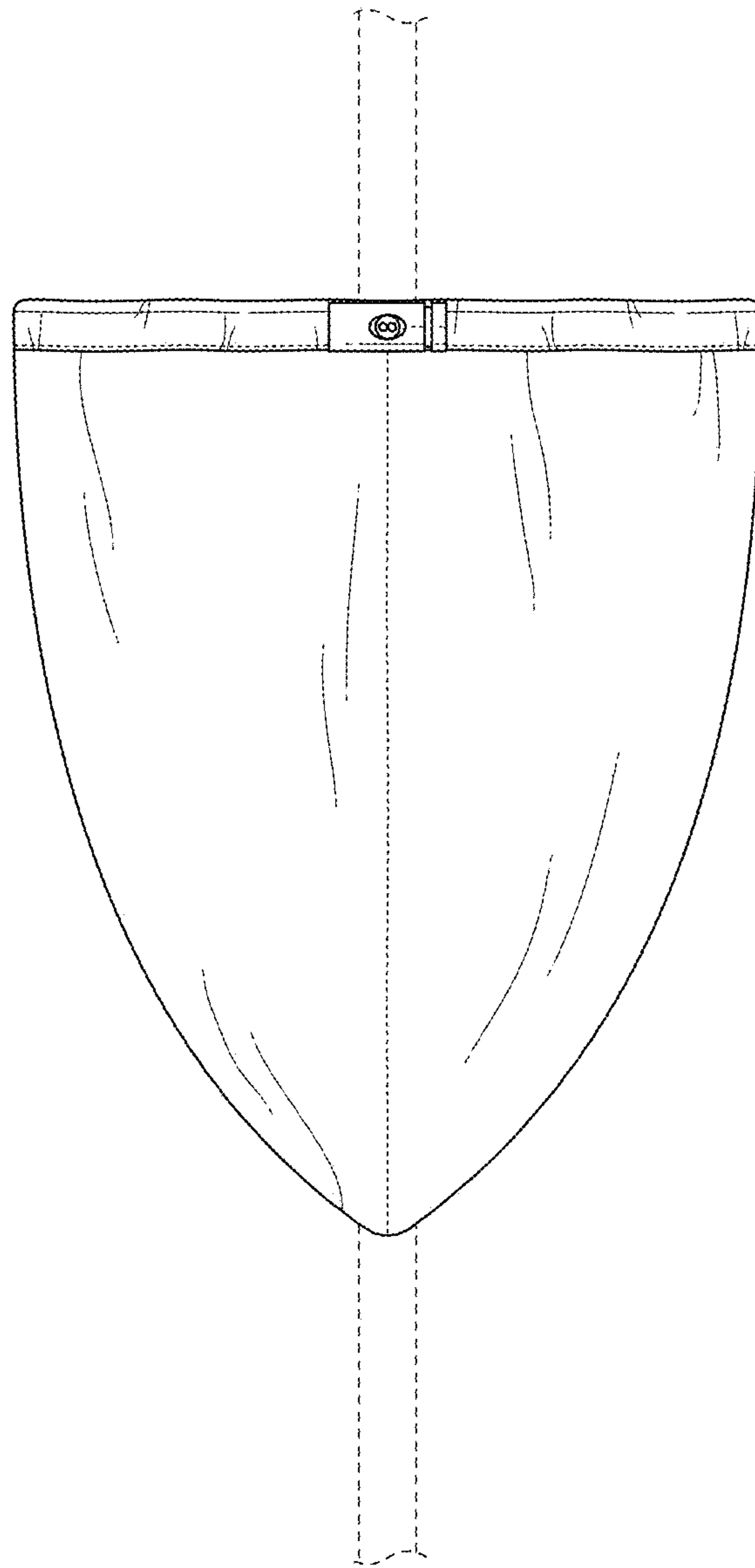


FIG. 7

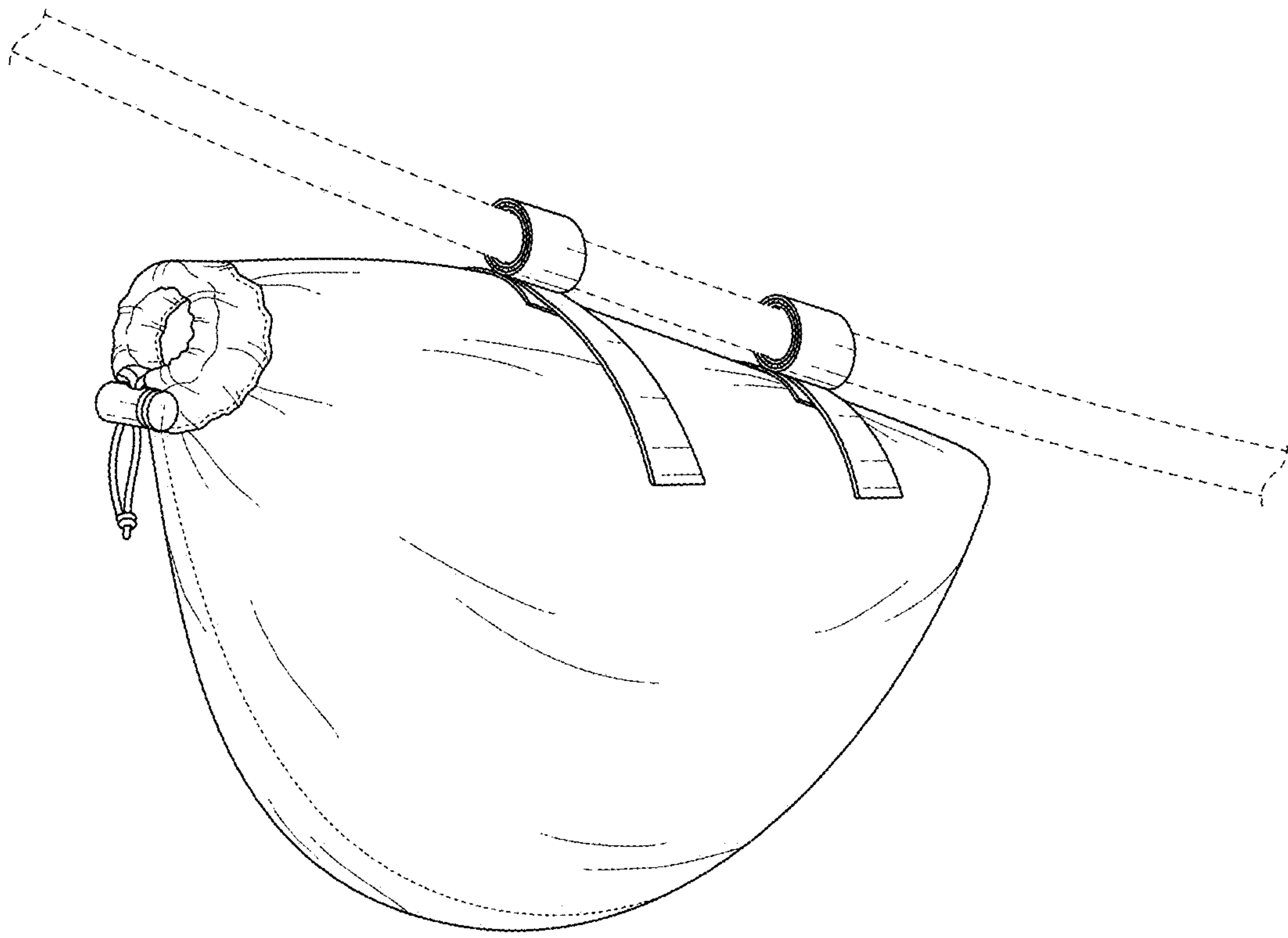


FIG. 8

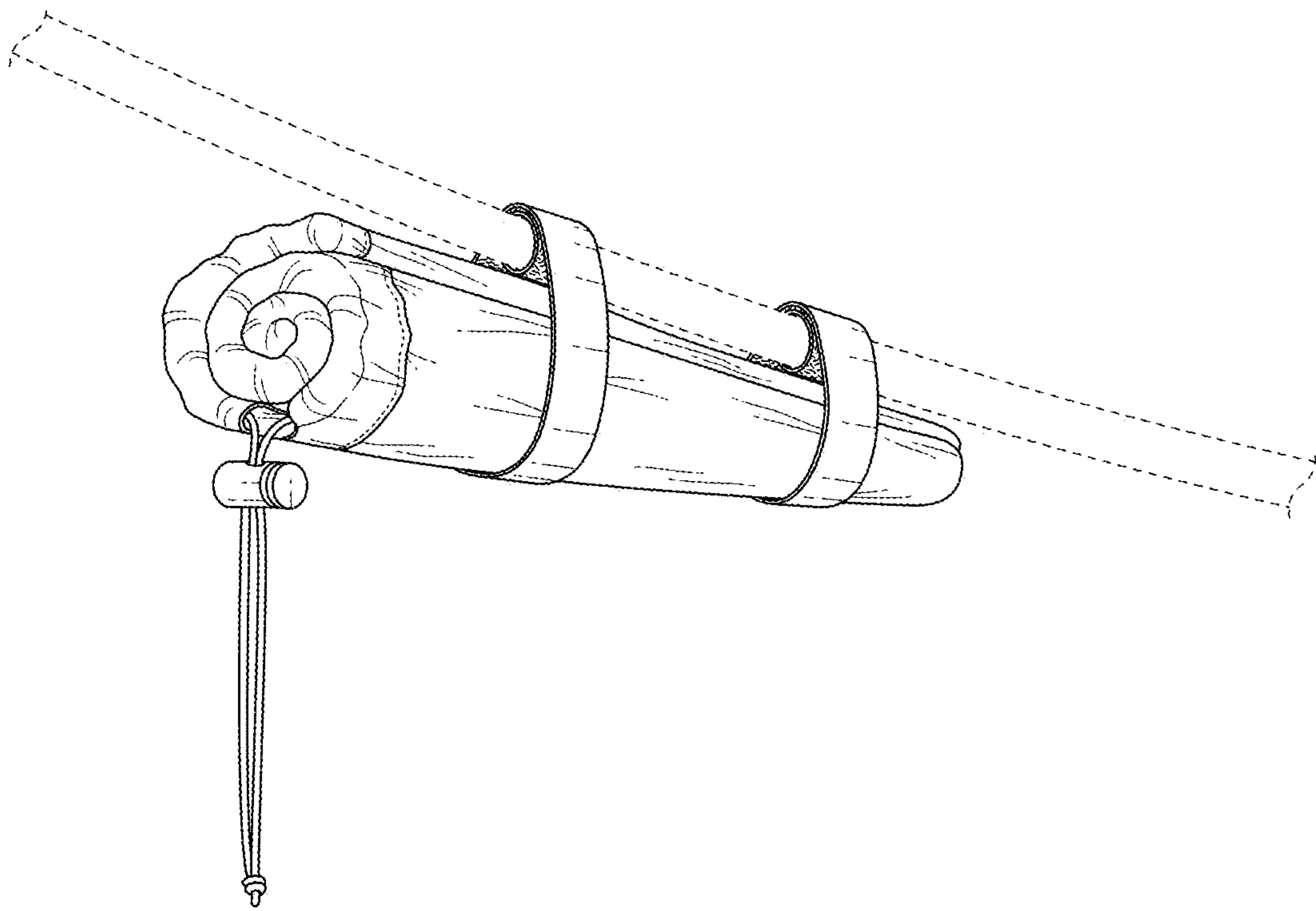


FIG. 9