



US0D1021331S

(12) **United States Design Patent** (10) **Patent No.:** **US D1,021,331 S**  
**Zimmerman** (45) **Date of Patent:** **\*\* Apr. 9, 2024**

(54) **PONCHO WRAP**

(71) Applicant: **Cabo Poncho LLC**, Minneapolis, MN (US)

(72) Inventor: **Robert Dingwall Zimmerman**, Minneapolis, MN (US)

(73) Assignee: **CABO PONCHO LLC**, Minneapolis, MN (US)

(\*\*) Term: **15 Years**

(21) Appl. No.: **29/874,439**

(22) Filed: **Apr. 19, 2023**

(51) **LOC (14) Cl.** ..... **02-02**

(52) **U.S. Cl.**  
USPC ..... **D2/823**

(58) **Field of Classification Search**  
USPC ..... D2/823, 860, 861, 825  
CPC ..... A45D 44/08  
See application file for complete search history.

(56) **References Cited**

**U.S. PATENT DOCUMENTS**

1,509,296	A *	9/1924	Hopewell	.....	A41D 15/00
					2/88
1,887,028	A *	11/1932	Lemke	.....	A45D 44/08
					2/128
2,016,079	A *	10/1935	Deuel	.....	A41B 13/10
					2/50
2,144,875	A *	1/1939	Forrest	.....	A41D 15/00
					2/93

(Continued)

**FOREIGN PATENT DOCUMENTS**

CN	209965311	U	1/2020
CN	217364749	U	9/2022

(Continued)

**OTHER PUBLICATIONS**

Solbari Sun Shawl, posted to solbari.com. Available date: Nov. 22, 2016 [site visited Aug. 4, 2023] Available: <<https://www.solbari.com>>

com/products/sun-protective-upf50-scarf-i-sensitive-fabric?variant=31233375141999&gclid=CjwKCAjww7KmBhAyEiwA5-PUSsWeH4krUr8FPy7nkrRI2TS48RLv1FSQUatG1qsa8Khy1qch2MOCnhoCzoIQAvD\_BwE> (Year: 2016).\*

(Continued)

*Primary Examiner* — Kevin K Rudzinski

(74) *Attorney, Agent, or Firm* — Fredrikson & Byron, P.A.

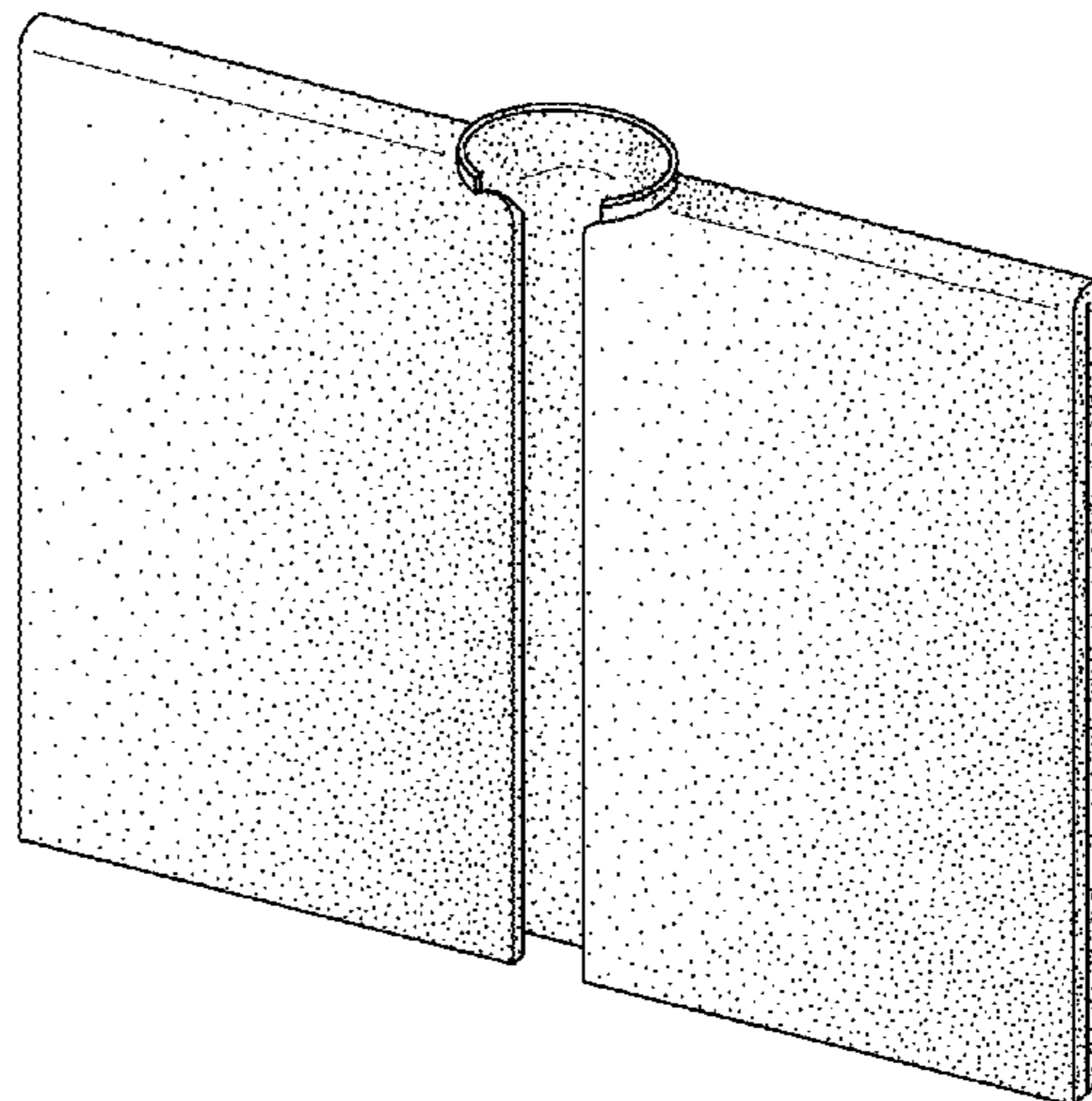
(57) **CLAIM**

The ornamental design for a poncho wrap, as shown and described.

**DESCRIPTION**

FIG. 1 is a front perspective view of a first embodiment of a poncho wrap of Applicant's design;  
FIG. 2 is a front view thereof;  
FIG. 3 is a rear view thereof;  
FIG. 4 is a left side elevational view thereof;  
FIG. 5 is a right side elevational view thereof;  
FIG. 6 is an upper elevational view thereof;  
FIG. 7 is a lower elevational view thereof;  
FIG. 8 is a front perspective view of a second embodiment of a poncho wrap of Applicant's design;  
FIG. 9 is a front view thereof;  
FIG. 10 is a rear view thereof;  
FIG. 11 is a left side elevational view thereof;  
FIG. 12 is a right side elevational view thereof;  
FIG. 13 is an upper elevational view thereof;  
FIG. 14 is a lower elevational view thereof;  
FIG. 15 is a front perspective view of a third embodiment of a poncho wrap of Applicant's design;  
FIG. 16 is a front view thereof;  
FIG. 17 is a rear view thereof;  
FIG. 18 is a left side elevational view thereof;  
FIG. 19 is a right side elevational view thereof;  
FIG. 20 is an upper elevational view thereof; and,  
FIG. 21 is a lower elevational view thereof.

**1 Claim, 12 Drawing Sheets**



(56)

References Cited

U.S. PATENT DOCUMENTS

2,452,475 A \* 10/1948 Kraft ..... A41D 3/04  
2/87  
3,665,518 A \* 5/1972 Leadford ..... A41D 3/08  
2/87  
4,078,264 A \* 3/1978 DeGennaro ..... A41D 15/04  
2/88  
4,280,227 A \* 7/1981 Brock ..... A45D 44/08  
2/88  
4,370,755 A 2/1983 Crumby  
4,615,047 A \* 10/1986 Matsuoka ..... A45D 44/08  
2/50  
D355,068 S 2/1995 Prendergast  
D418,965 S 1/2000 Lujan  
D445,993 S 8/2001 Raol  
6,353,933 B1 \* 3/2002 Love ..... A41D 3/08  
2/84  
D472,694 S \* 4/2003 Pyle ..... D2/825  
6,649,251 B1 11/2003 Druেকে et al.  
D487,952 S 4/2004 Wyatt  
D542,509 S \* 5/2007 Campbell ..... D2/823  
D543,010 S \* 5/2007 Erickson ..... D2/823  
7,444,684 B1 \* 11/2008 Medina ..... A41D 7/008  
2/48  
D627,952 S \* 11/2010 Bish ..... A45D 44/08  
D2/860  
D679,484 S \* 4/2013 Brown ..... D2/823  
D683,932 S \* 6/2013 Zitscher ..... D2/823  
D690,486 S 10/2013 Yan  
8,591,275 B2 11/2013 Gonsalves et al.  
D710,574 S \* 8/2014 Wells ..... D2/864  
8,984,666 B1 3/2015 Lobue  
D739,644 S 9/2015 Ostahowski et al.  
9,330,799 B1 5/2016 Phillips  
D760,476 S \* 7/2016 Gilmore ..... D2/823  
9,439,463 B1 9/2016 Spears  
D801,005 S 10/2017 Perez  
D835,888 S \* 12/2018 Amoling ..... D2/860  
D850,061 S \* 6/2019 Kelly ..... D2/825  
D877,461 S 3/2020 Mieszczak  
D894,536 S 9/2020 Ngan  
D912,941 S 3/2021 Yan  
D915,033 S \* 4/2021 Stathakis ..... D2/864  
D932,738 S 10/2021 Rundle  
D933,938 S 10/2021 Bolon  
D955,696 S 6/2022 Hironaka et al.  
D957,789 S 7/2022 Brown et al.  
D958,492 S 7/2022 Moore  
2007/0074329 A1 \* 4/2007 Marshall ..... A41D 3/08  
2/69  
2008/0209612 A1 \* 9/2008 Summers ..... A41D 15/04  
2/84  
2009/0070913 A1 \* 3/2009 Park ..... A41D 3/08  
2/87  
2010/0100996 A1 \* 4/2010 Zitscher ..... A45D 44/08  
2/50  
2010/0205712 A1 \* 8/2010 Bish ..... A45D 44/08  
2/50  
2012/0047624 A1 3/2012 Hubsmith  
2012/0144550 A1 6/2012 Nejad  
2013/0269082 A1 \* 10/2013 Bramblet ..... A41D 1/215  
2/104  
2013/0318679 A1 12/2013 Esquer  
2014/0143942 A1 5/2014 Ocando  
2014/0310858 A1 10/2014 Kupiec

2016/0044979 A1 2/2016 Norman et al.  
2018/0092410 A1 4/2018 Rundle  
2018/0213860 A1 8/2018 Weiss et al.  
2021/0352972 A1 11/2021 Isbell  
2022/0378120 A1 12/2022 Horak

FOREIGN PATENT DOCUMENTS

CN 307862275 S 2/2023  
ES 1215379 Y 10/2018  
JP 1673431 S 11/2020  
JP 1735669 S 1/2023

OTHER PUBLICATIONS

Coolibar UPF 50+ Women's Sanibel Everyday Beach Shawl, posted to amazon.com. Available date: Jun. 8, 2018 [site visited Aug. 4, 2023] Available: <<https://www.amazon.com/-/es/Coolibar-FPS-50-Sanibel-protecci%C3%B3n/dp/B07DMHRQBS?th=1&psc=1>> (Year: 2018).\*

Eddie Bauer Women's Daisy Travel Wrap, posted to amazon.com. Available date: Mar. 19, 2019 [site visited Aug. 4, 2023] Available: <<https://www.amazon.com/Eddie-Bauer-Womens-Daisy-Travel/dp/B07PTQ2HVJ?th=1>> (Year: 2019).\*

RainCaper Womens Rain Cape Poncho Coat Waterproof with Hood, [online]; [published to the internet on Sep. 18, 2016]; [retrieved from the internet on Apr. 28, 2023]; U RL:[https://www.amazon.com/RainCaper-Monet-Nympheas-Poncho-Reversible/dp/B09QMHWPC?ref\\_=ast\\_sto\\_dp&th=1](https://www.amazon.com/RainCaper-Monet-Nympheas-Poncho-Reversible/dp/B09QMHWPC?ref_=ast_sto_dp&th=1). (7 pages). (Year: 2016).

SaphiRose Rain Poncho Jacket Coat Hooded for Adults with Pockets, [online]; [published to the internet on May 11, 2017]; [retrieved from the internet on Apr. 28, 2023]; URL:[https://www.amazon.com/dp/B075WTPCQ5/ref=twister\\_B06XBXSLLX?\\_encoding=UTF8&th=1](https://www.amazon.com/dp/B075WTPCQ5/ref=twister_B06XBXSLLX?_encoding=UTF8&th=1). (11 pages). (Year: 2017).

Shawl Wraps for Women Winter Solid Scarf Cardigan, [online]; [published to the internet on Jun. 17, 2021]; [retrieved from the internet on May 4, 2023]; URL: [https://www.amazon.com/Womens-Blanket-Oversized-Cardigan-Sweater/dp/B09F2NS9S2?ref\\_=ast\\_sto\\_dp&th=1](https://www.amazon.com/Womens-Blanket-Oversized-Cardigan-Sweater/dp/B09F2NS9S2?ref_=ast_sto_dp&th=1). (8 pages). (Year: 2021).

All I need Cozy Hooded Kimono, [online]; [review published to the internet on Dec. 5, 2020]; [retrieved from the internet on Apr. 28, 2023]; U RL:[https://www.freepeople.com/shop/all-i-need-cozy-hooded-kimono/?color=011&countryCode=US&gclid=EAlalQobChMI3Nv\\_wJrN\\_glVlVljBx1rUA9EA%E2%80%A6](https://www.freepeople.com/shop/all-i-need-cozy-hooded-kimono/?color=011&countryCode=US&gclid=EAlalQobChMI3Nv_wJrN_glVlVljBx1rUA9EA%E2%80%A6). (7 pages). (Year: 2020).

Poncho-wrap with Hood Digital PDF sewing Pattern; [online]; [review published to the internet on Nov. 25, 2017]; [retrieved from the internet on Apr. 28, 2023]; URL: (13 pages). (Year: 2017) U RL: [https://www.etsy.com/listing/566391247/one-size-fits-s-2xl-poncho-wrap-with?ga\\_order=most\\_relevant&ga\\_search\\_type=all&ga\\_view\\_type=gallery&ga\\_search\\_query=poncho+wrap+pattern&ref=sr\\_gallery-1-2&organic\\_search\\_click=1](https://www.etsy.com/listing/566391247/one-size-fits-s-2xl-poncho-wrap-with?ga_order=most_relevant&ga_search_type=all&ga_view_type=gallery&ga_search_query=poncho+wrap+pattern&ref=sr_gallery-1-2&organic_search_click=1) (Year: 2017).

Echo Essentials Ruana, [online]; [date published to the internet unknown]; [retrieved from the internet on Jun. 15, 2023]; URL: [https://echonewyork.com/products/echo-core-everyday-ruanavariant=30283957305443&currency=USD&utm\\_medium=product\\_sync&utm\\_source=google&utm\\_content=sag](https://echonewyork.com/products/echo-core-everyday-ruanavariant=30283957305443&currency=USD&utm_medium=product_sync&utm_source=google&utm_content=sag). (9 pages). (Year: 2023).

\* cited by examiner

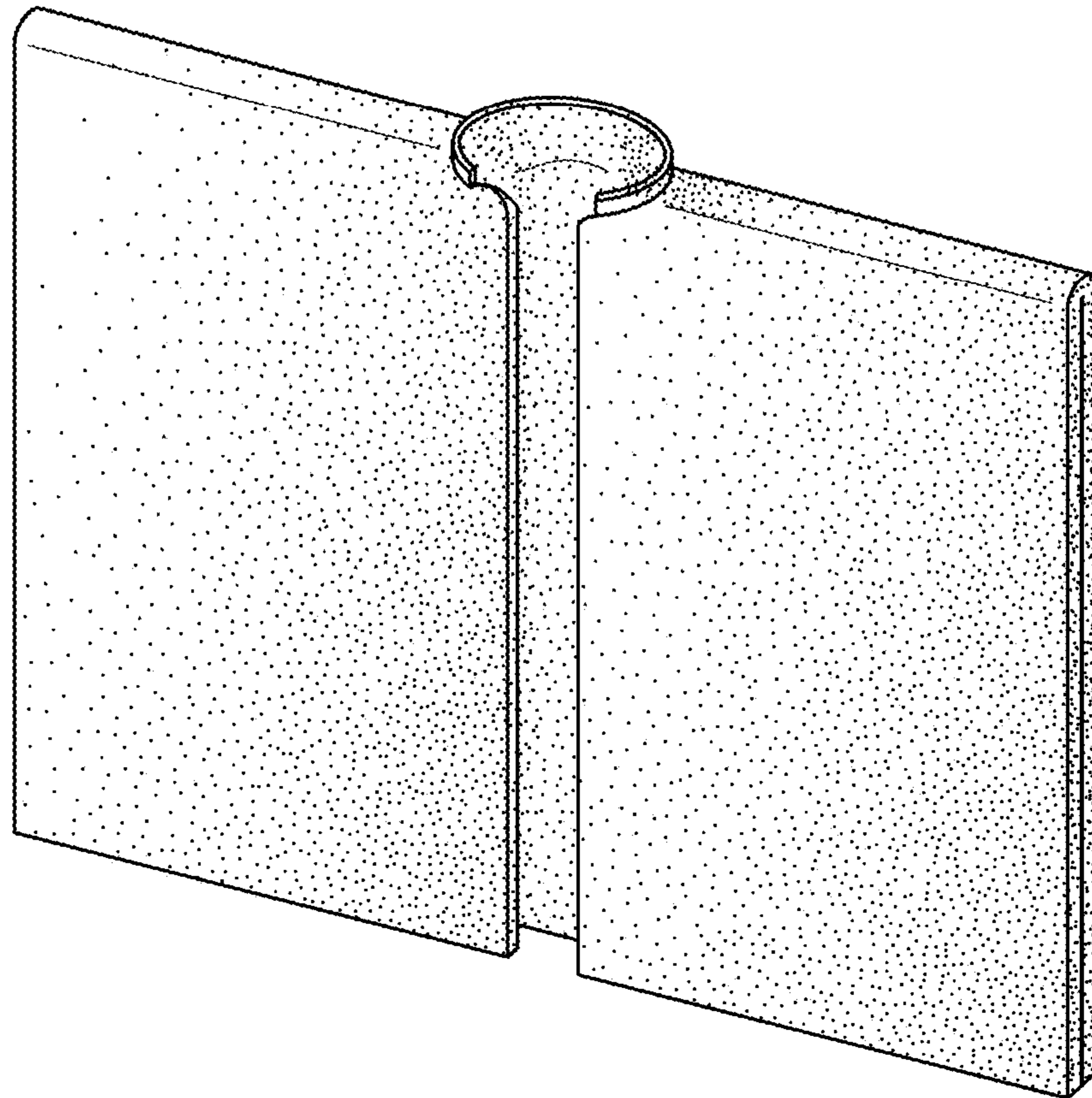


FIG. 1

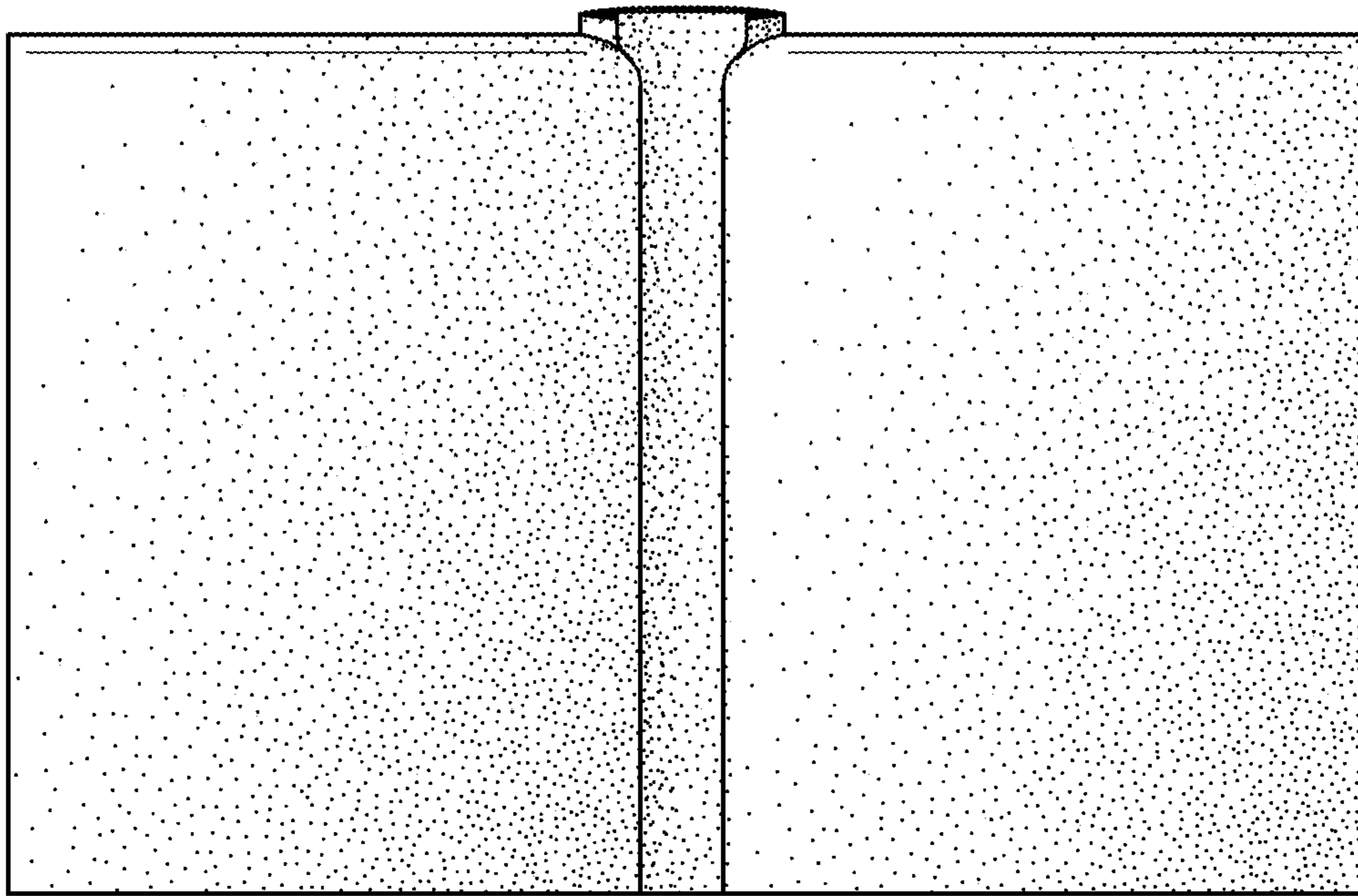


FIG. 2

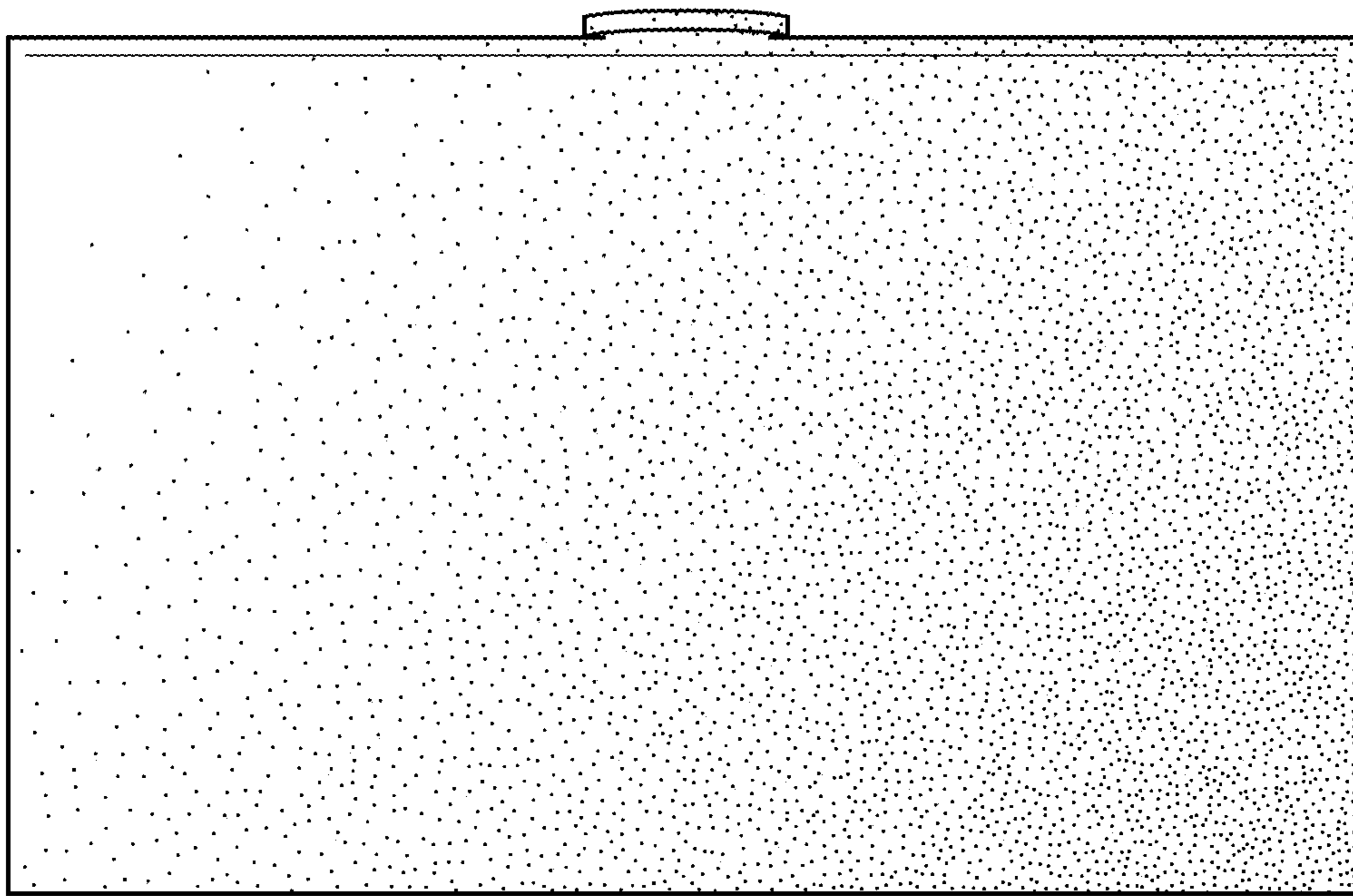


FIG. 3

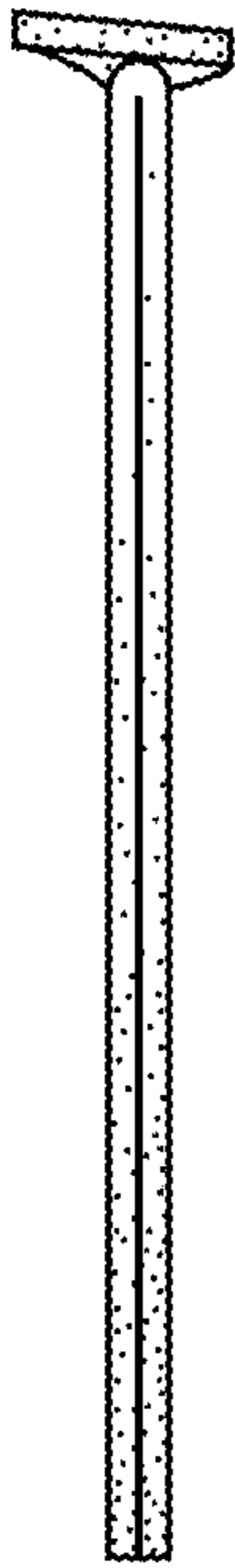


FIG. 4

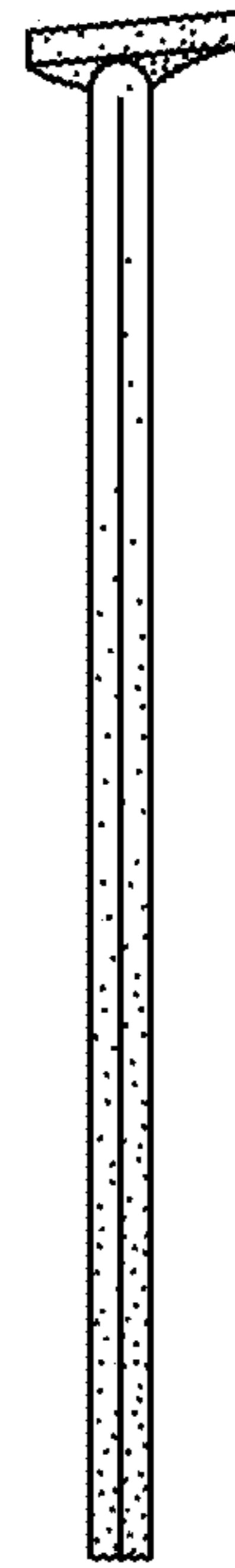


FIG. 5

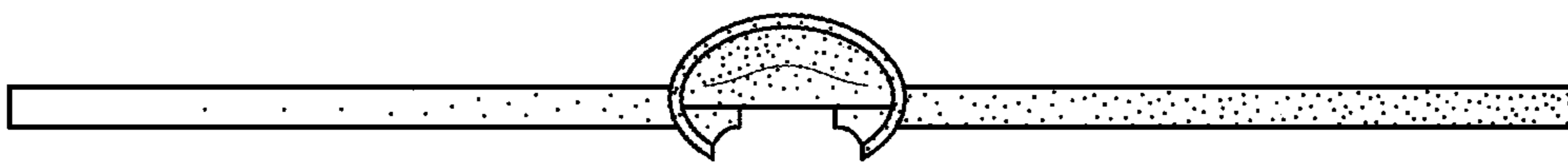


FIG. 6

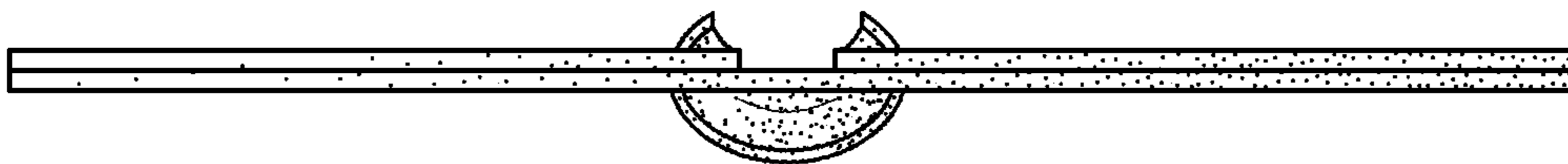


FIG. 7

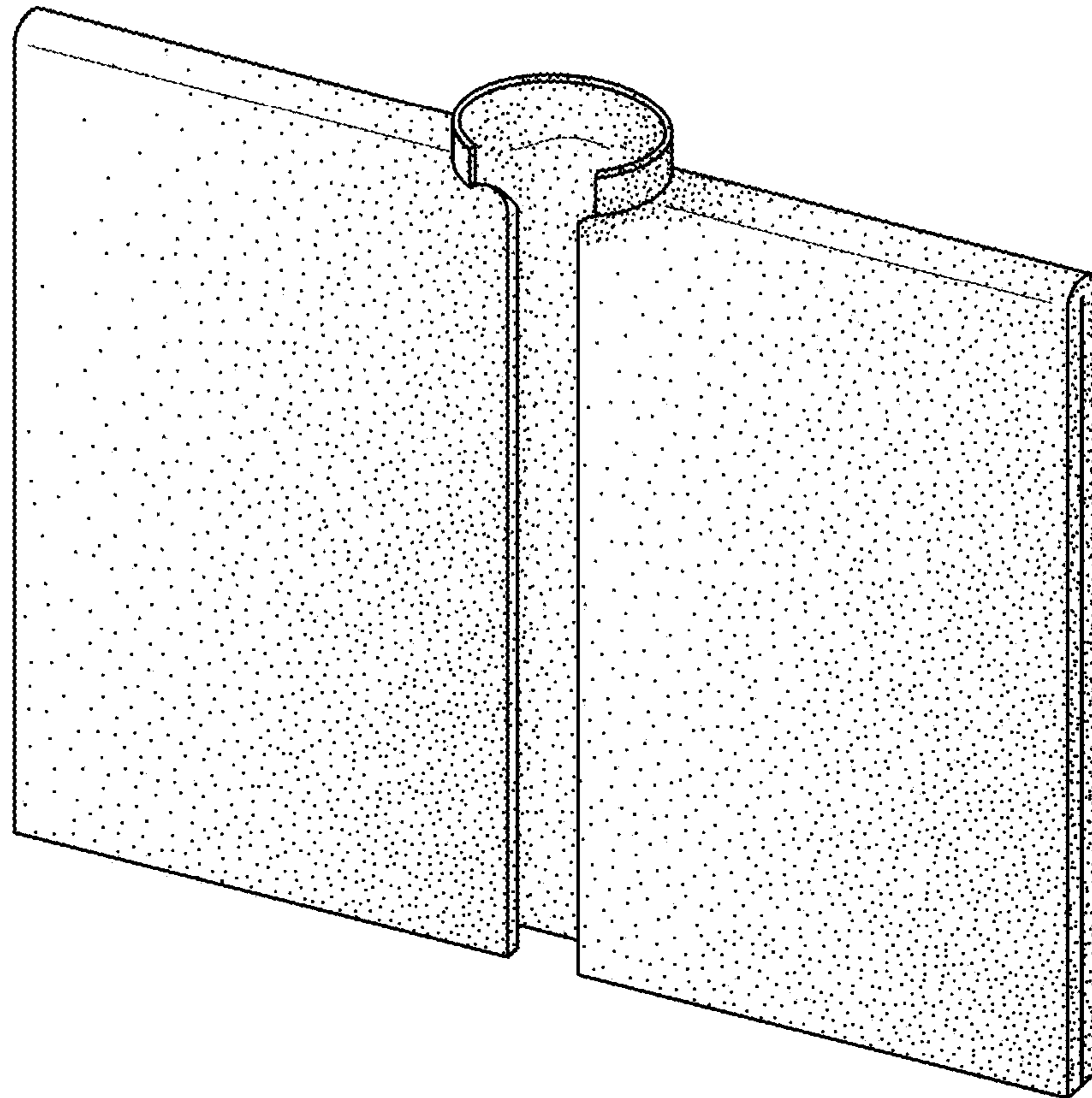


FIG. 8

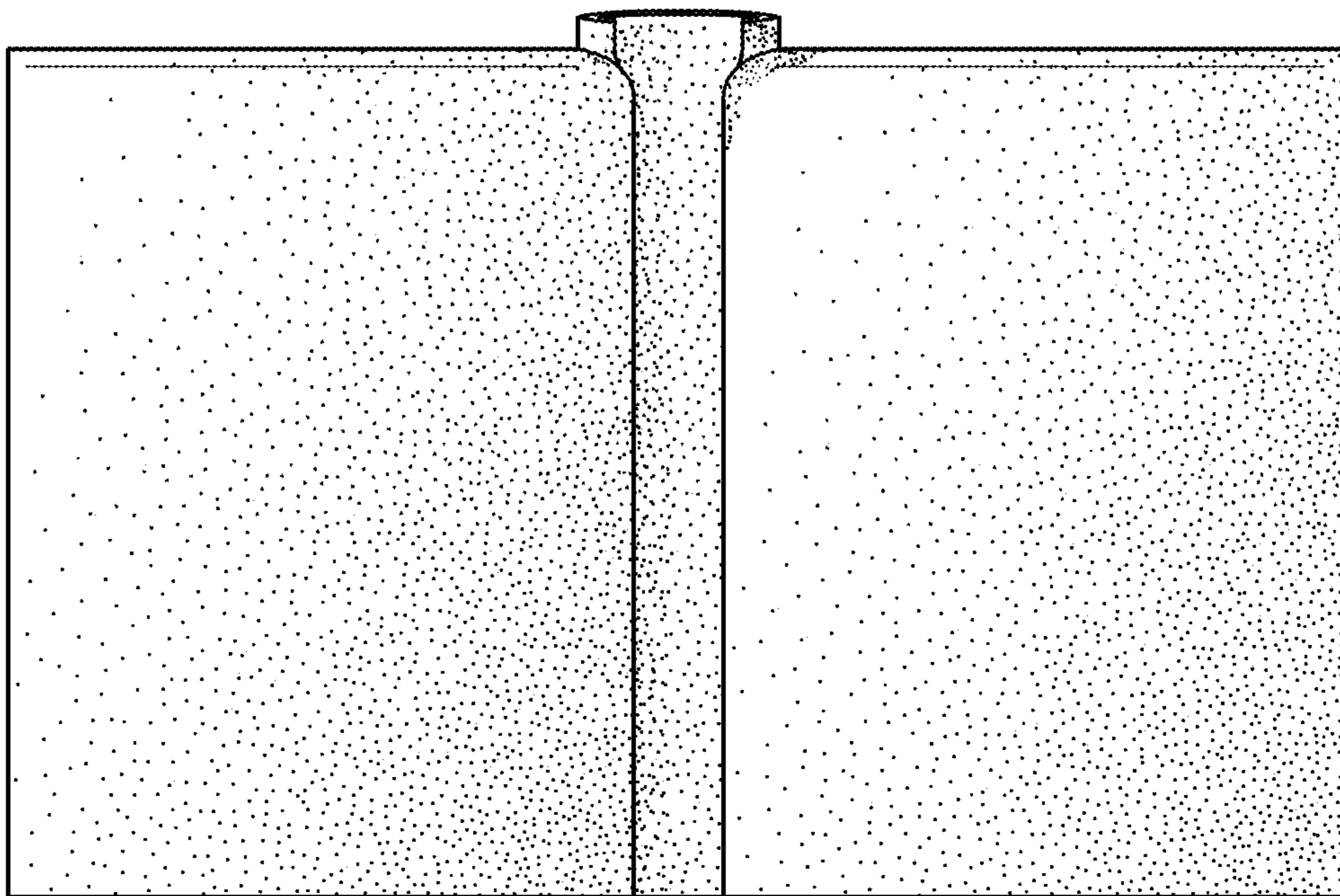


FIG. 9



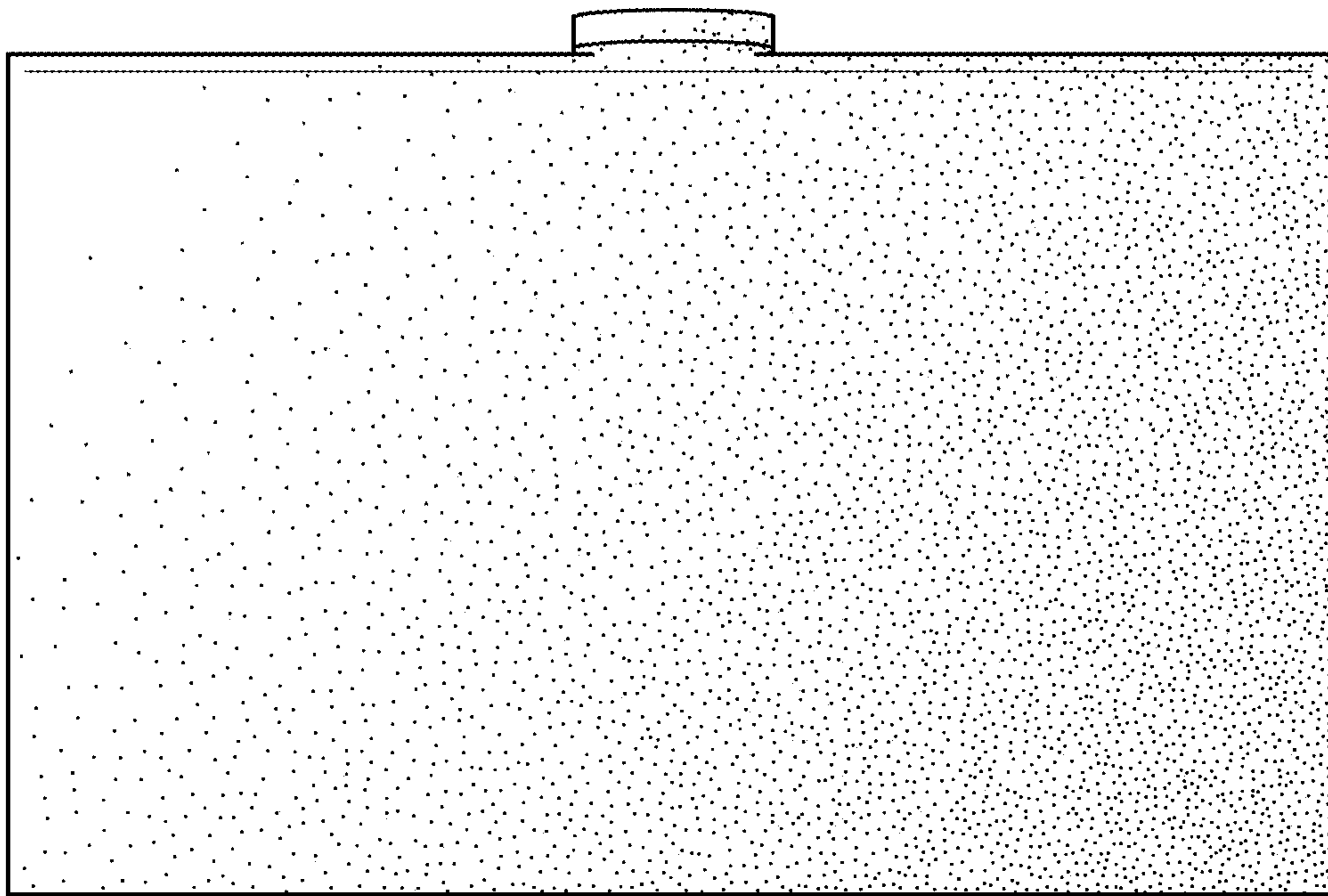


FIG. 10

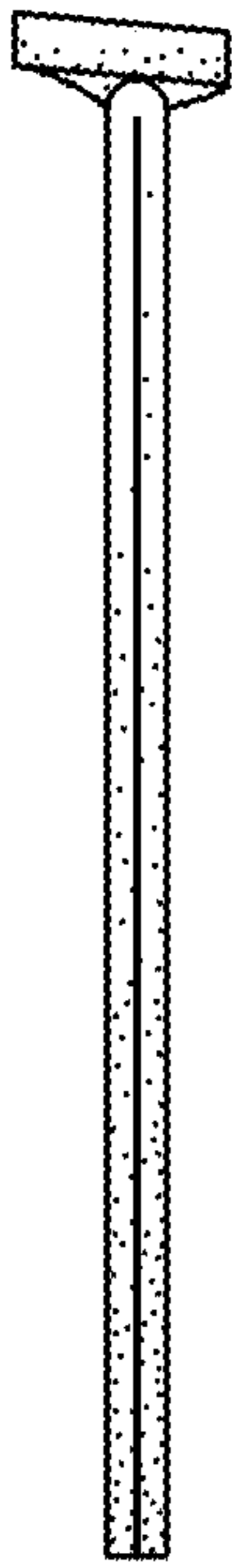


FIG. 11

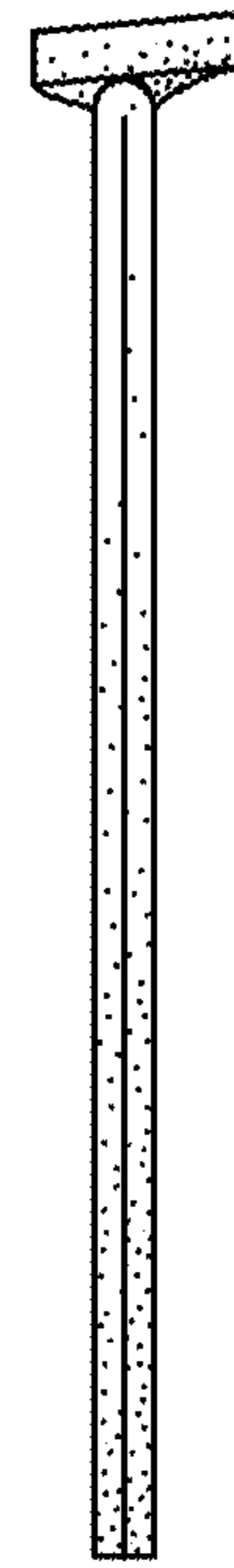


FIG. 12

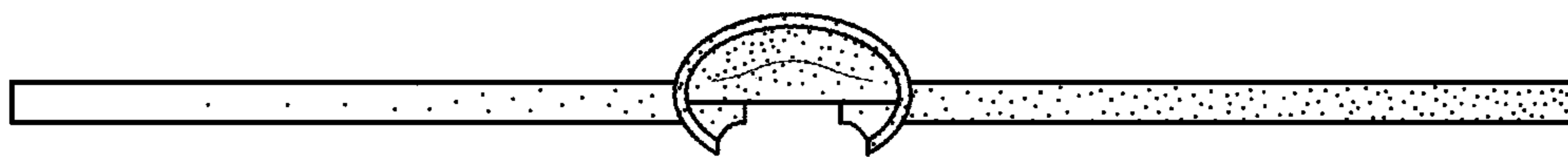


FIG. 13

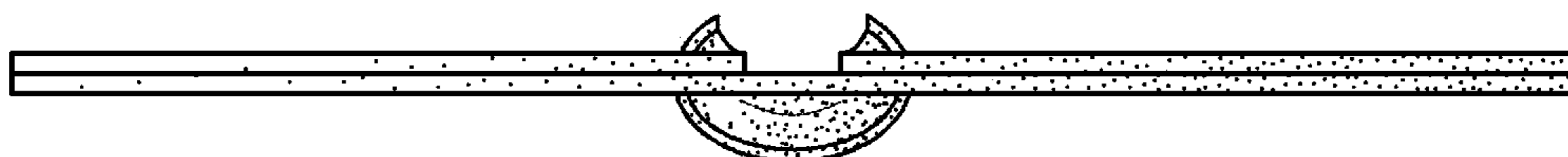


FIG. 14

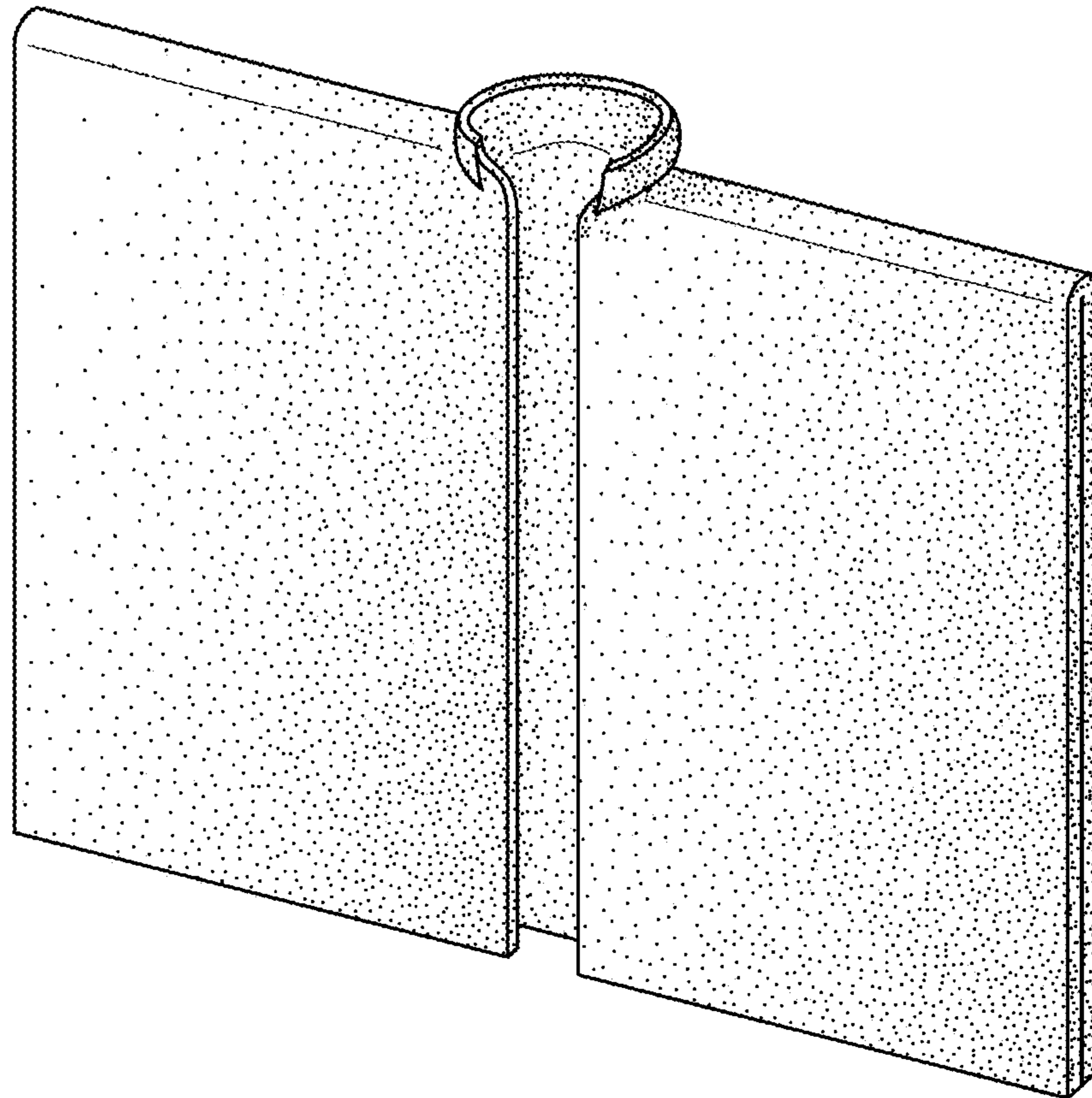


FIG. 15

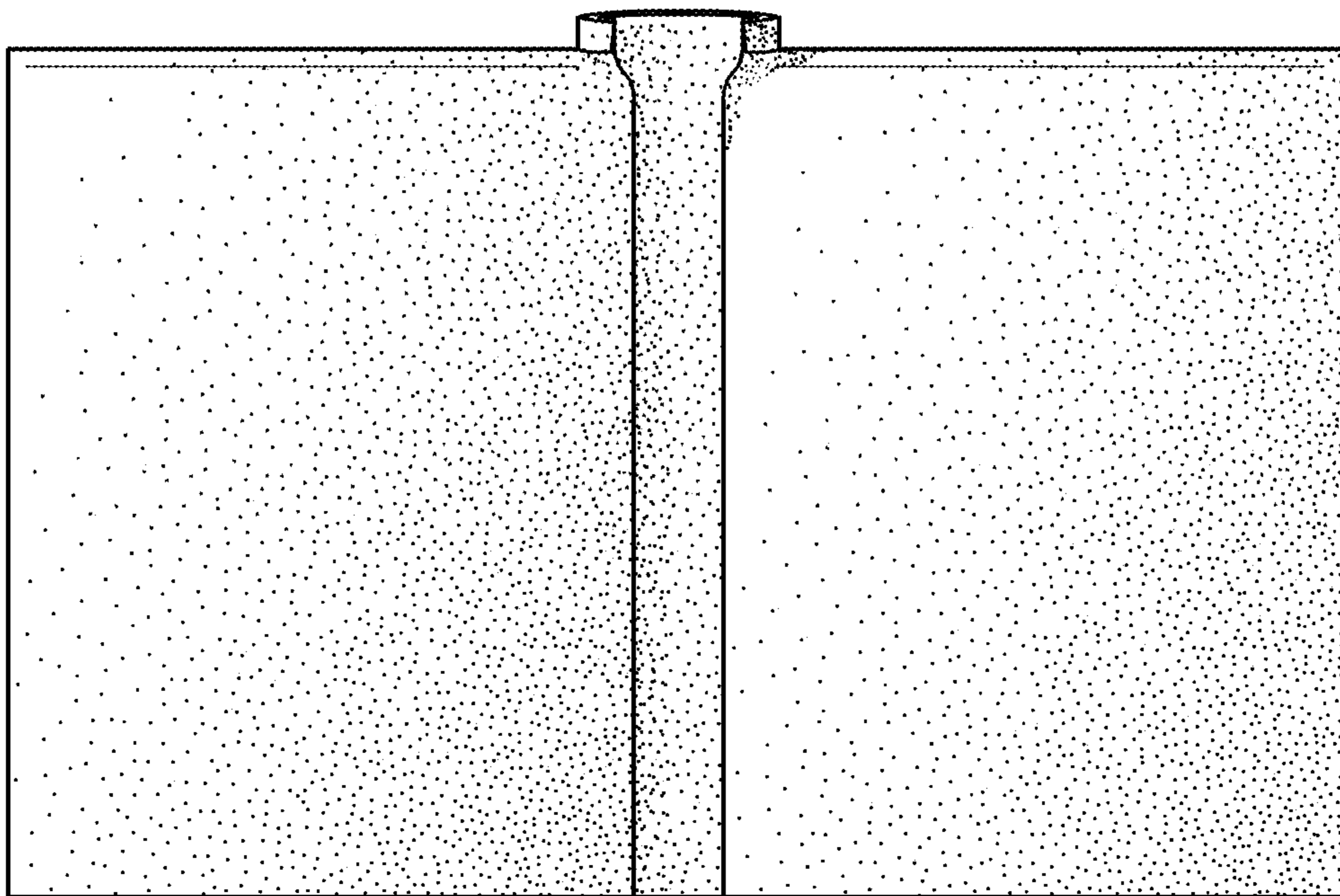


FIG. 16

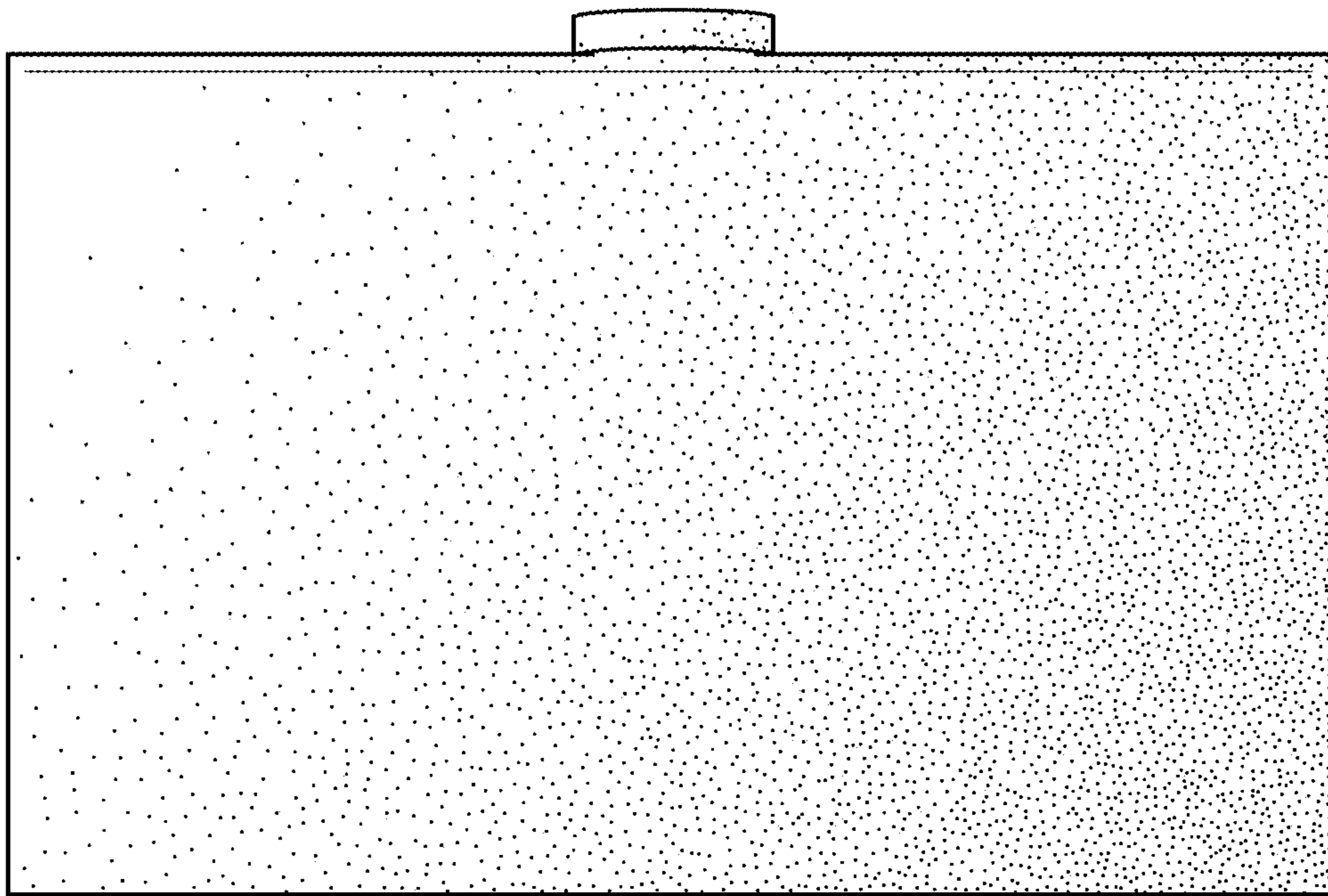


FIG. 17

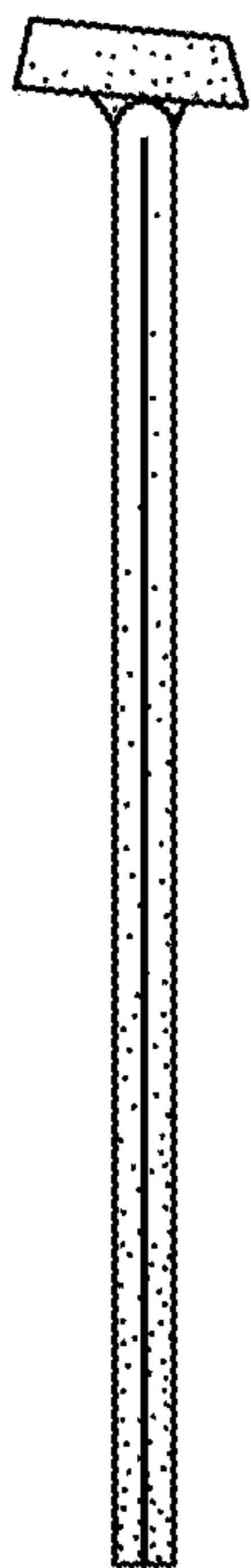


FIG. 18

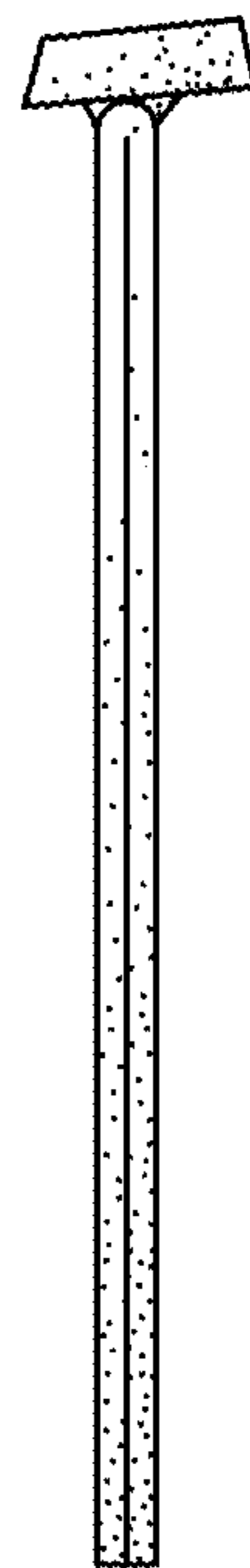


FIG. 19

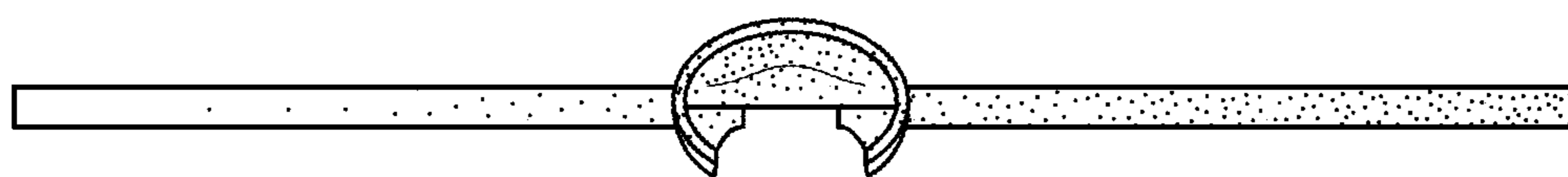


FIG. 20

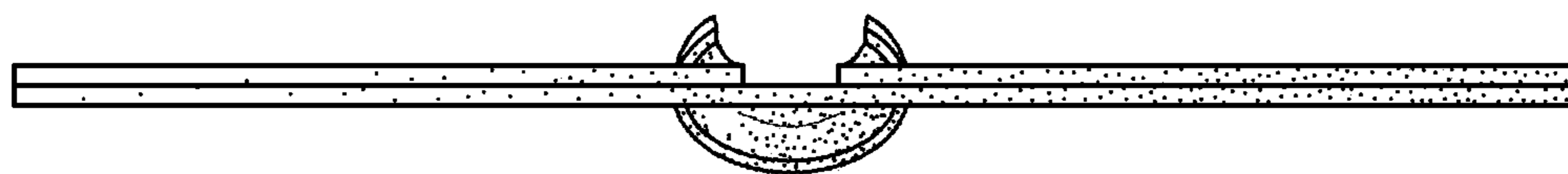


FIG. 21