

US0D1021315S

(12) **United States Design Patent** (10) **Patent No.:** **US D1,021,315 S**
Sun (45) **Date of Patent:** **** Apr. 2, 2024**

(54) **SHOPPING CART WHEEL SET**

(71) Applicant: **Zhao Sun**, Hangzhou (CN)

(72) Inventor: **Zhao Sun**, Hangzhou (CN)

(**) Term: **15 Years**

(21) Appl. No.: **29/912,954**

(22) Filed: **Sep. 26, 2023**

(51) **LOC (14) Cl.** **12-02**

(52) **U.S. Cl.**
USPC **D34/27**

(58) **Field of Classification Search**
USPC D34/12, 14, 17, 27; D12/204, 501, 209;
D15/17
CPC B65F 1/1473; B60B 37/06; B60B 37/10;
B60B 2200/43; B62B 1/10
See application file for complete search history.

(56) **References Cited**

U.S. PATENT DOCUMENTS

D352,687 S *	11/1994	Markling	D12/204
5,519,916 A *	5/1996	Mainard	B60B 33/0086
				188/69
D542,003 S *	5/2007	Morris	D34/27
D542,499 S *	5/2007	Liu	D34/27
D570,070 S *	5/2008	Morris	D34/27
D631,223 S *	1/2011	Kosheba	D34/27
D635,053 S	3/2011	Lee		
D751,265 S *	3/2016	Bromm	D34/27
D776,896 S *	1/2017	Paitchell	D34/27
D963,551 S *	9/2022	Bowers	D12/501
2022/0402298 A1 *	12/2022	Peek	B60B 7/063

OTHER PUBLICATIONS

Pritek wheels, announced Jun. 26, 2020 [online], [site visited Nov. 8, 2023]. Avail from int, URL: https://www.amazon.com/dp/B087NLKWV2/ref=sspa_dk_detail_6 (Year: 2020).*
Zagolo cart, announced May 23, 2022 [online], [site visited Nov. 8, 2023]. Avail from int, URL: https://www.amazon.com/Shopping-Cart-Groceries-Waterproof-Collapsible/dp/B0B211BD98/ref=sr_1_23_sspa (Year: 2022).*

* cited by examiner

Primary Examiner — Cynthia Ramirez

Assistant Examiner — Tamara L Hahn

(74) *Attorney, Agent, or Firm* — Vladimir Postnikov

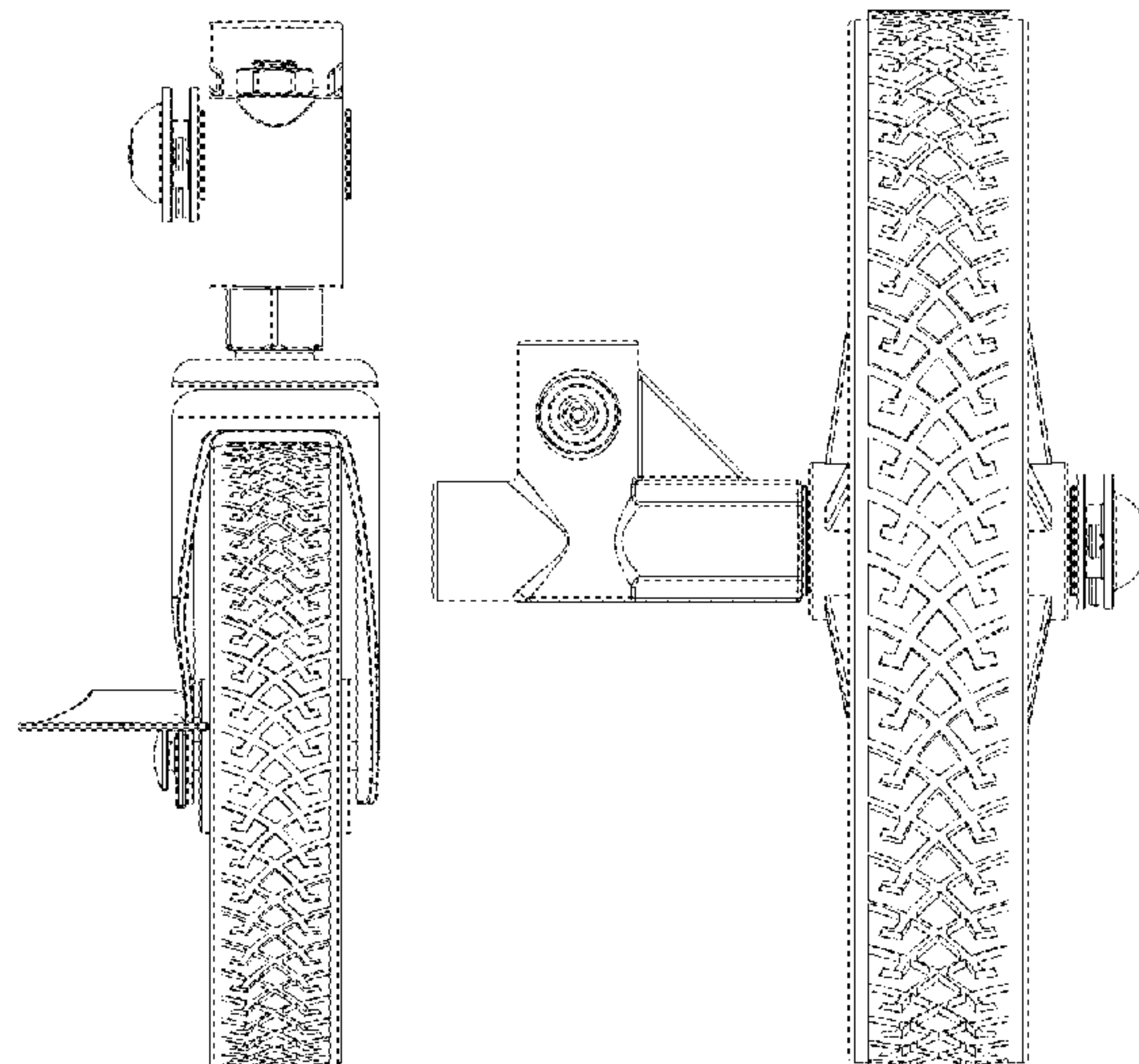
(57) **CLAIM**

The ornamental design for a shopping cart wheel set, as shown and described.

DESCRIPTION

FIG. 1 is a front elevation view of a shopping cart wheel set showing the new design;
FIG. 2 is a back elevation view thereof;
FIG. 3 is a left-side view thereof;
FIG. 4 is a right-side view thereof;
FIG. 5 is a top plan view thereof;
FIG. 6 is a bottom plan view thereof;
FIG. 7 is a perspective view thereof;
FIG. 8 is another perspective view thereof; and,
FIG. 9 is a perspective view of the shopping cart wheel set as it would be positioned during use.
The broken lines depict portions of the article that form no part of the claimed design.

1 Claim, 9 Drawing Sheets



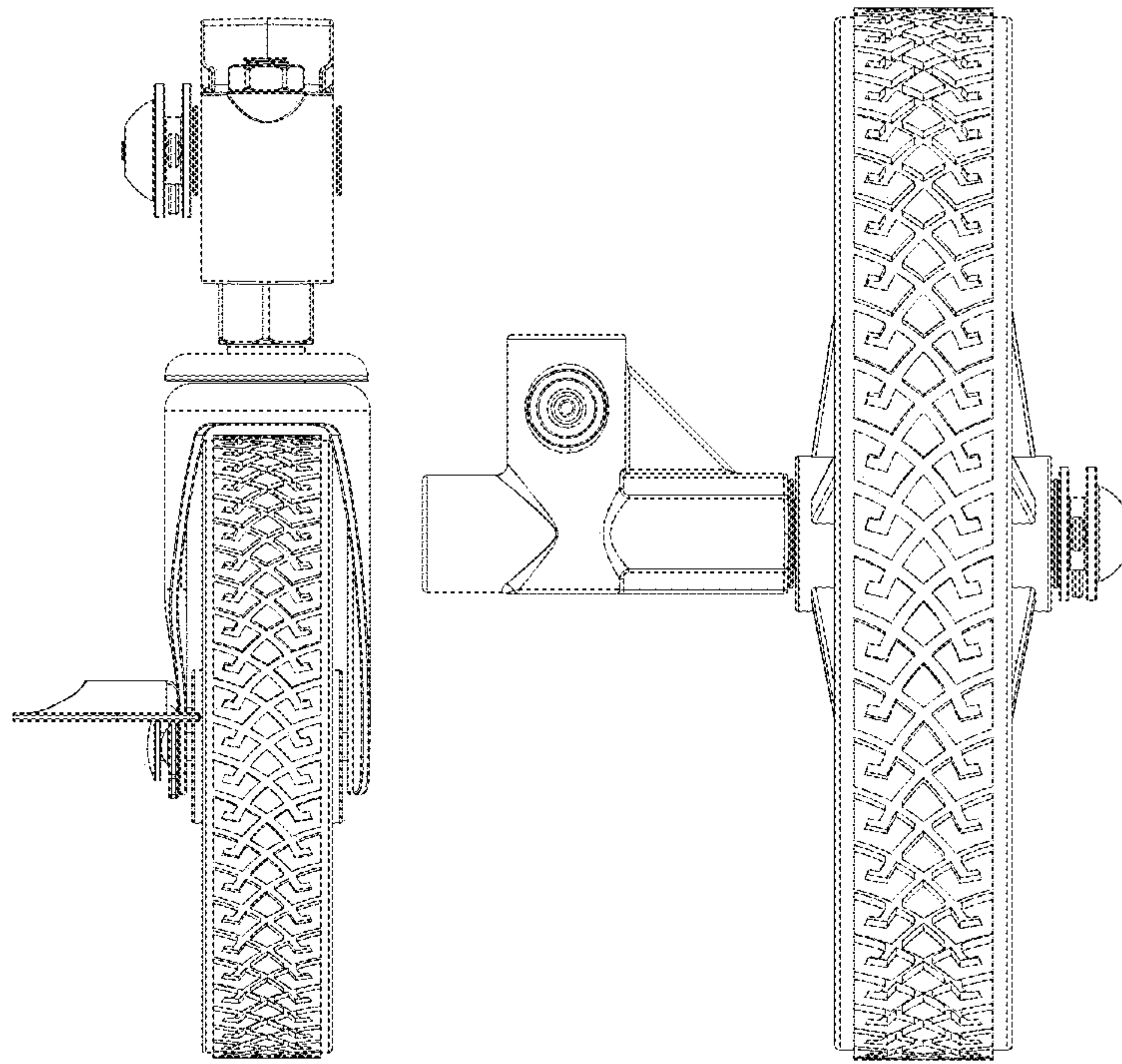


FIG. 1

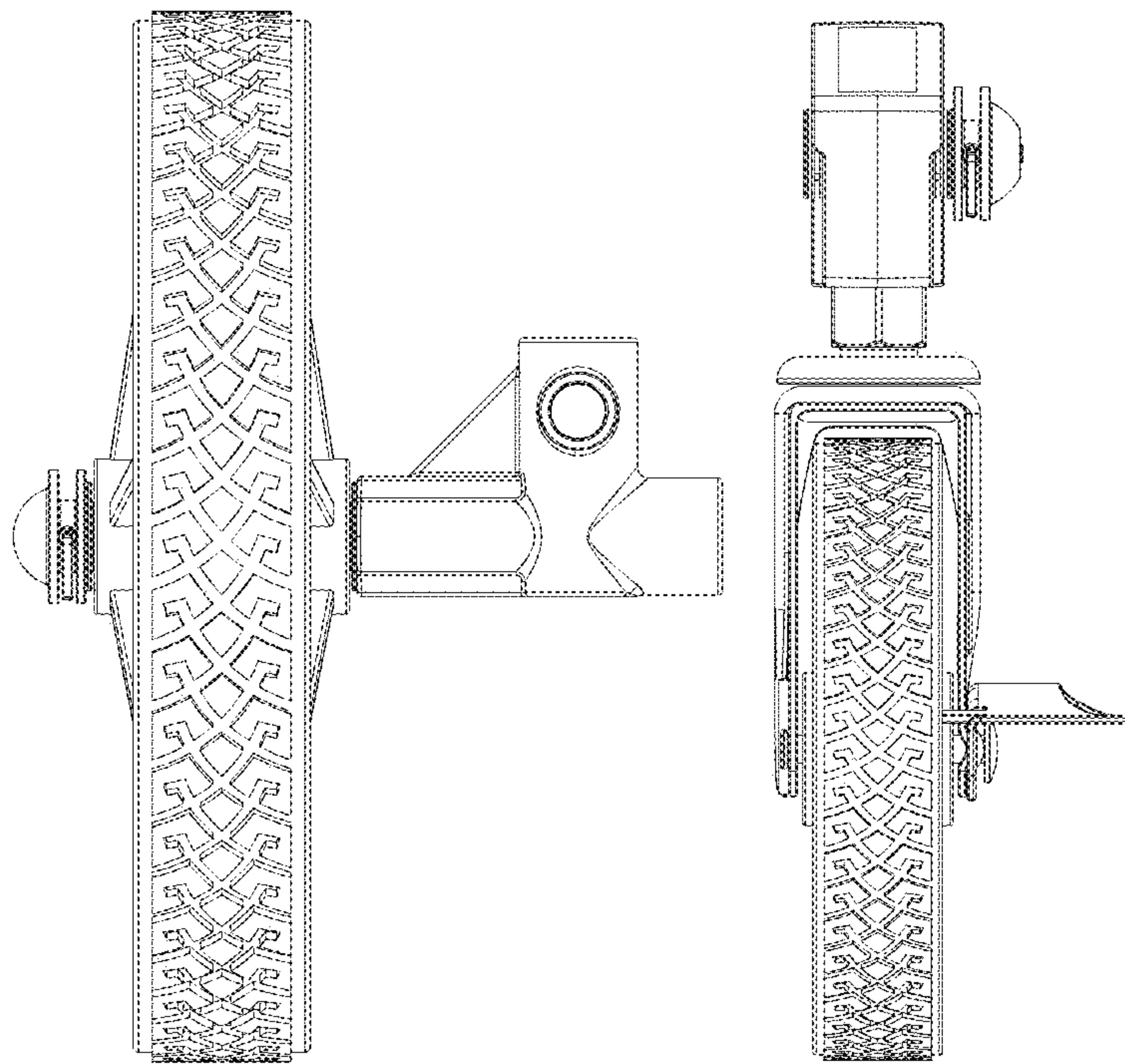


FIG. 2

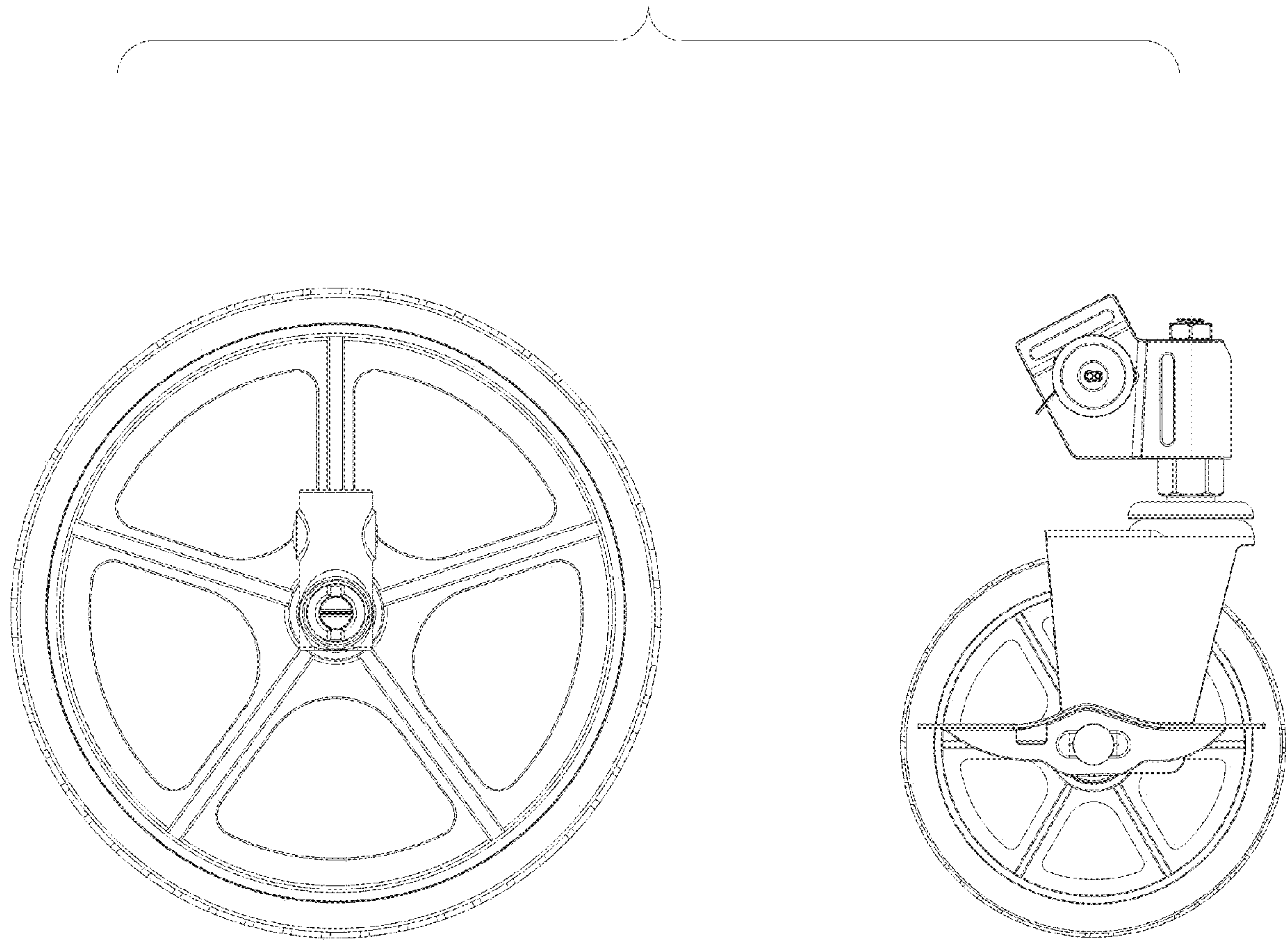


FIG. 3

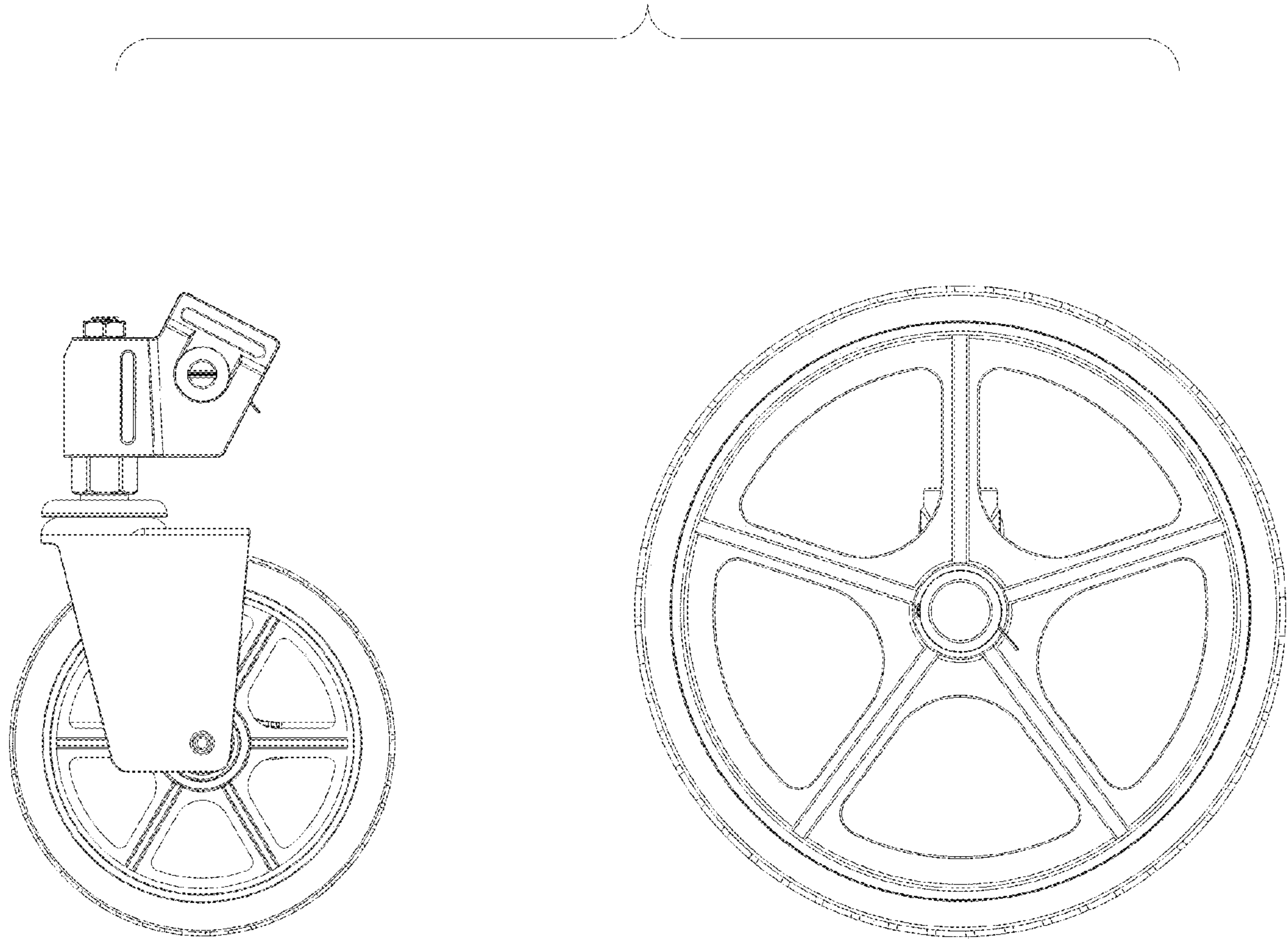


FIG. 4

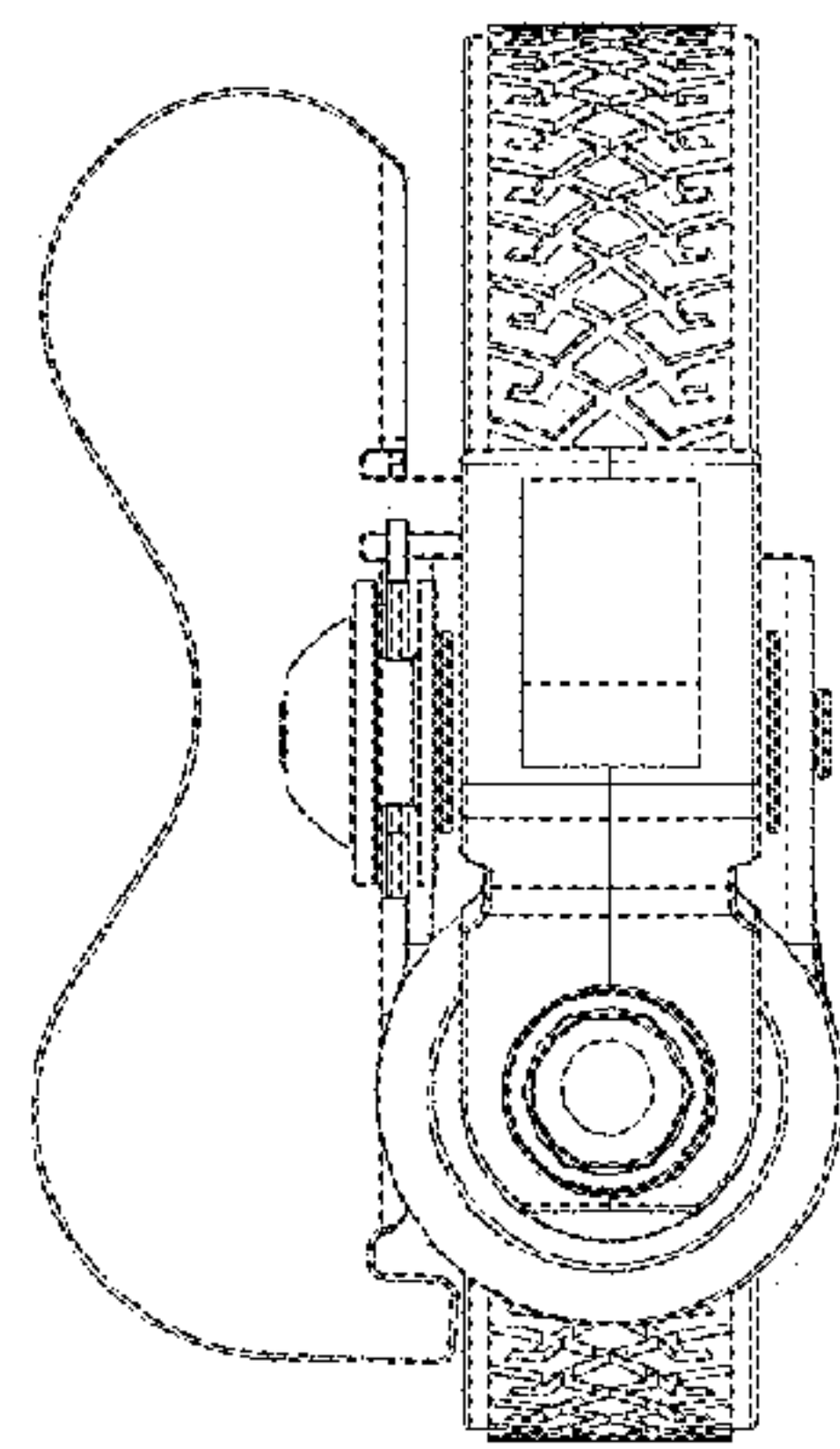
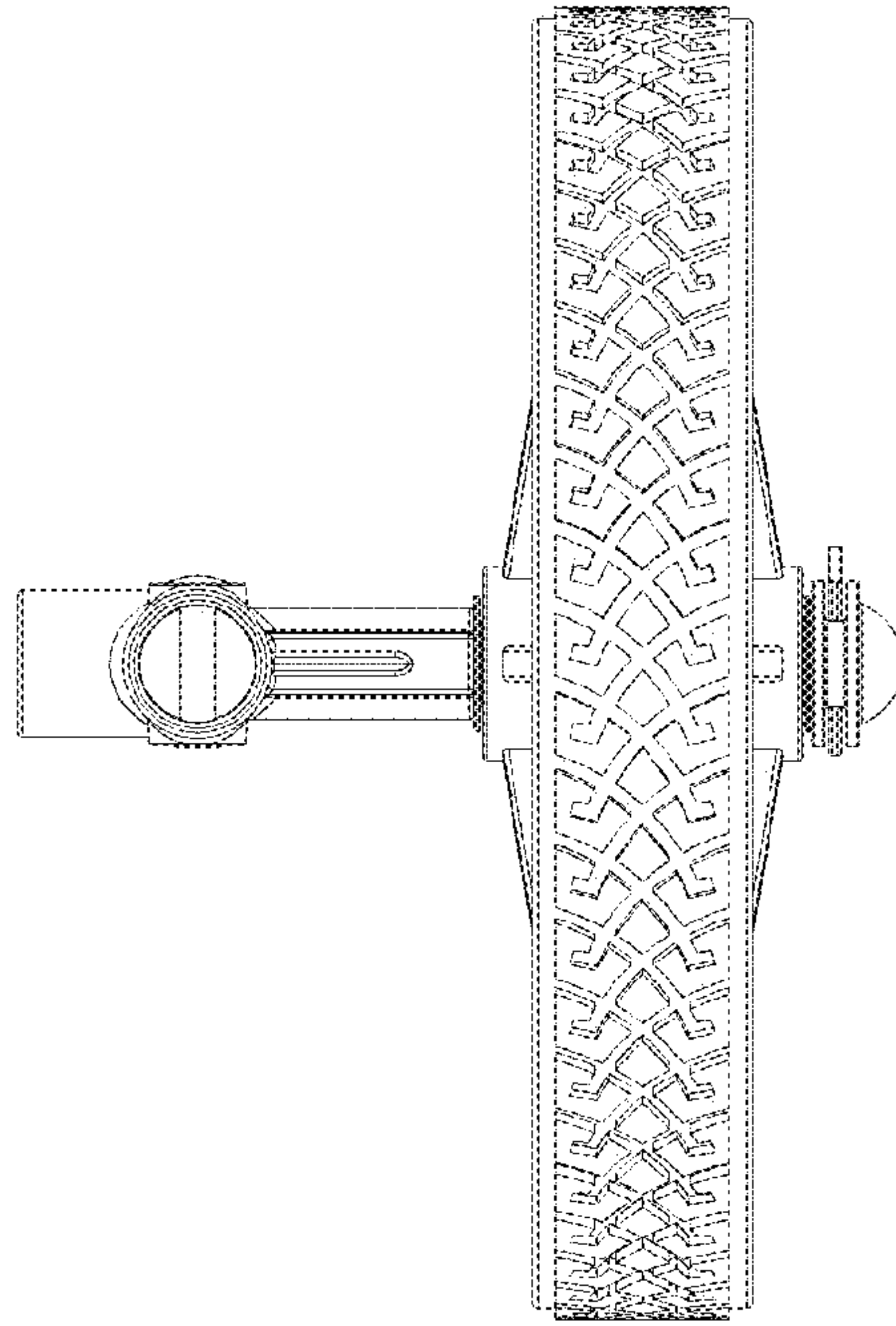


FIG. 5

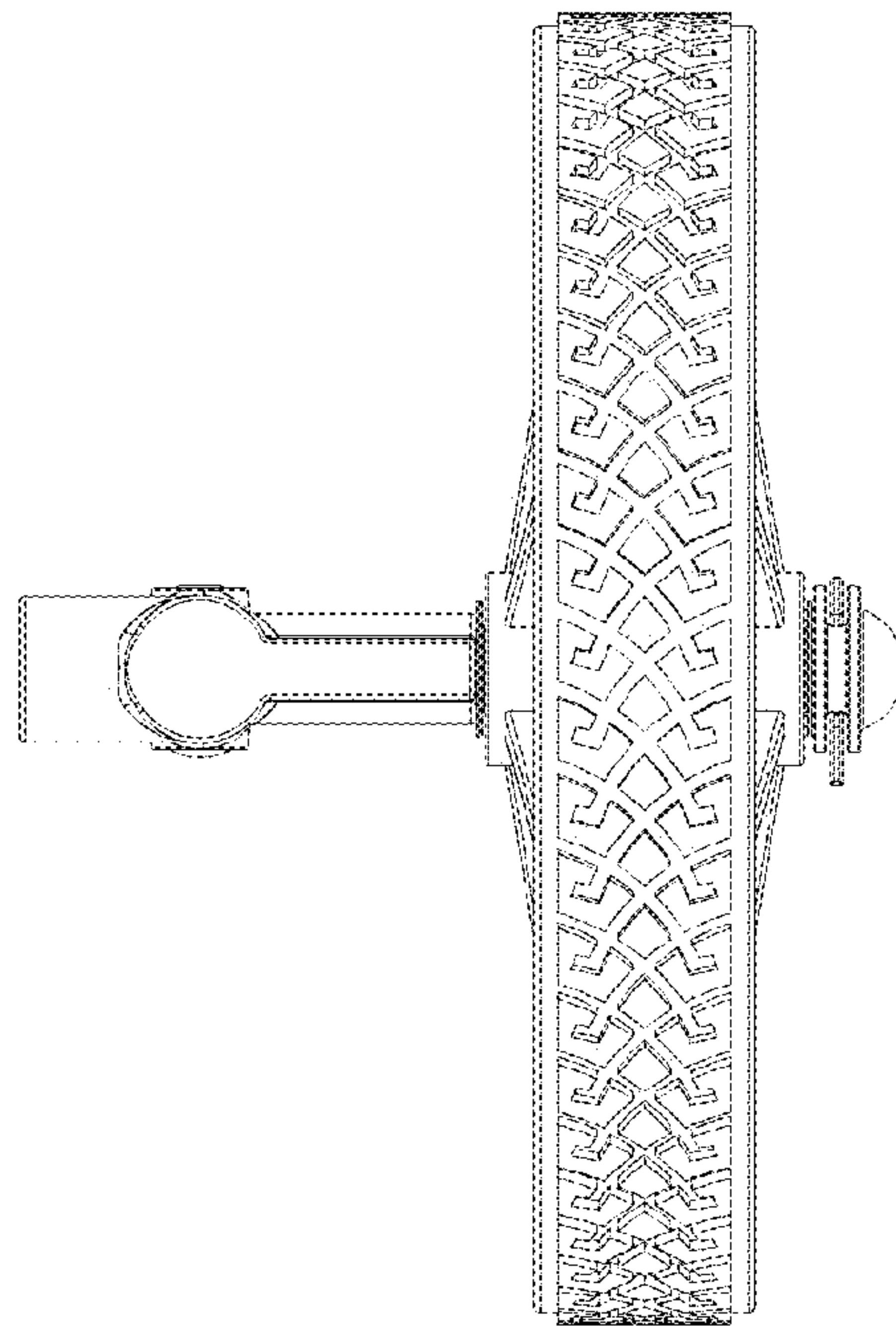
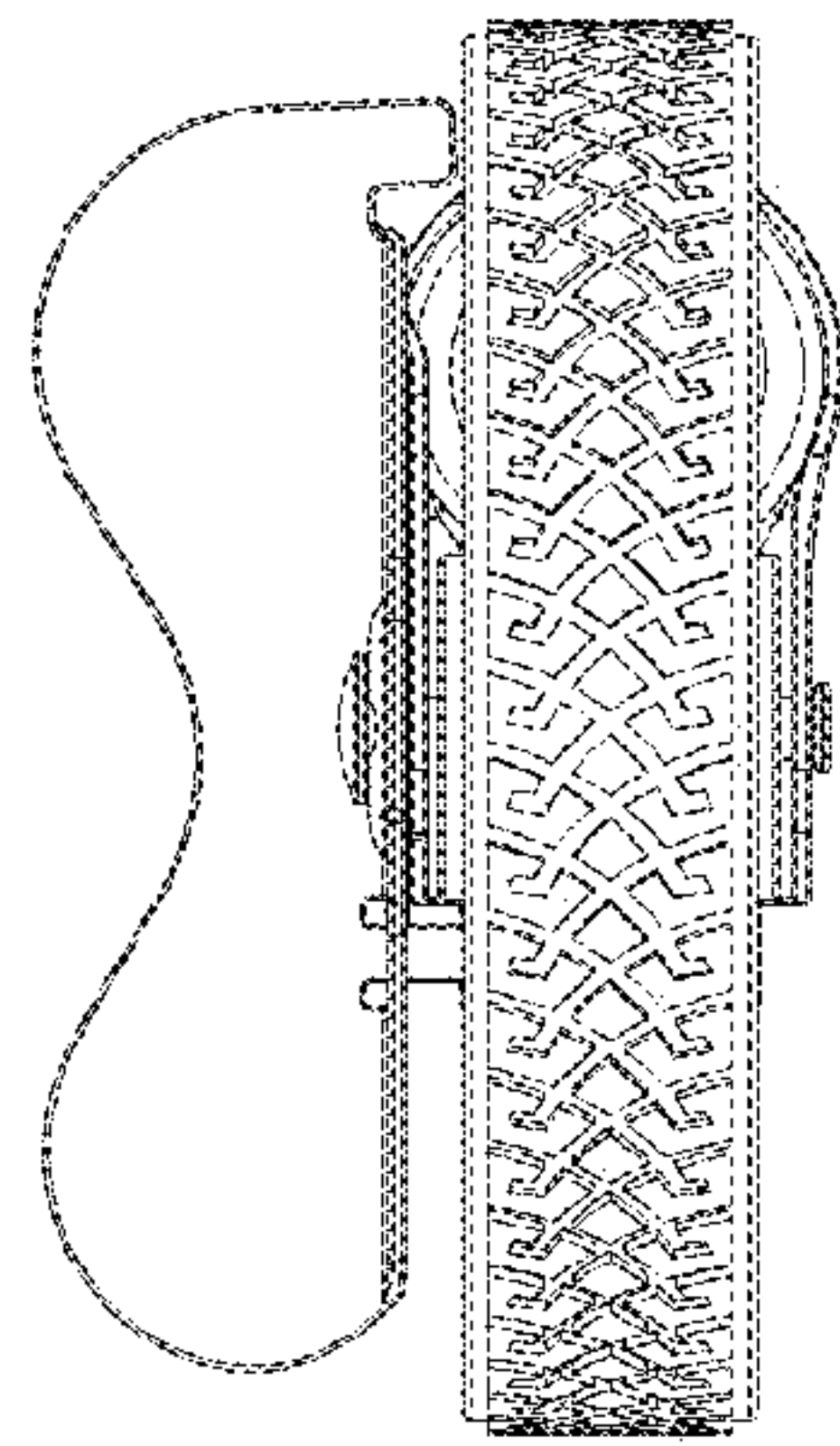


FIG. 6

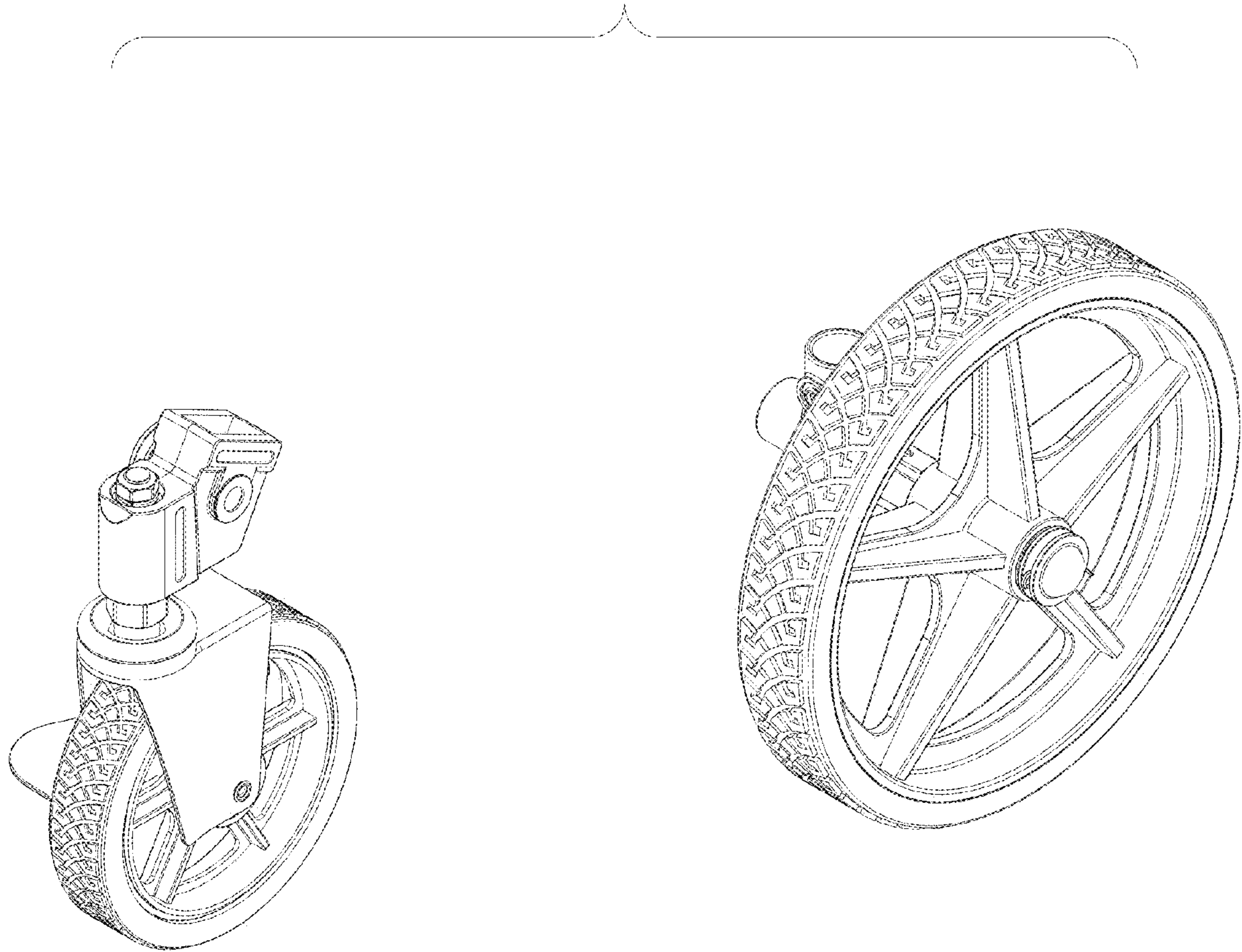


FIG. 7

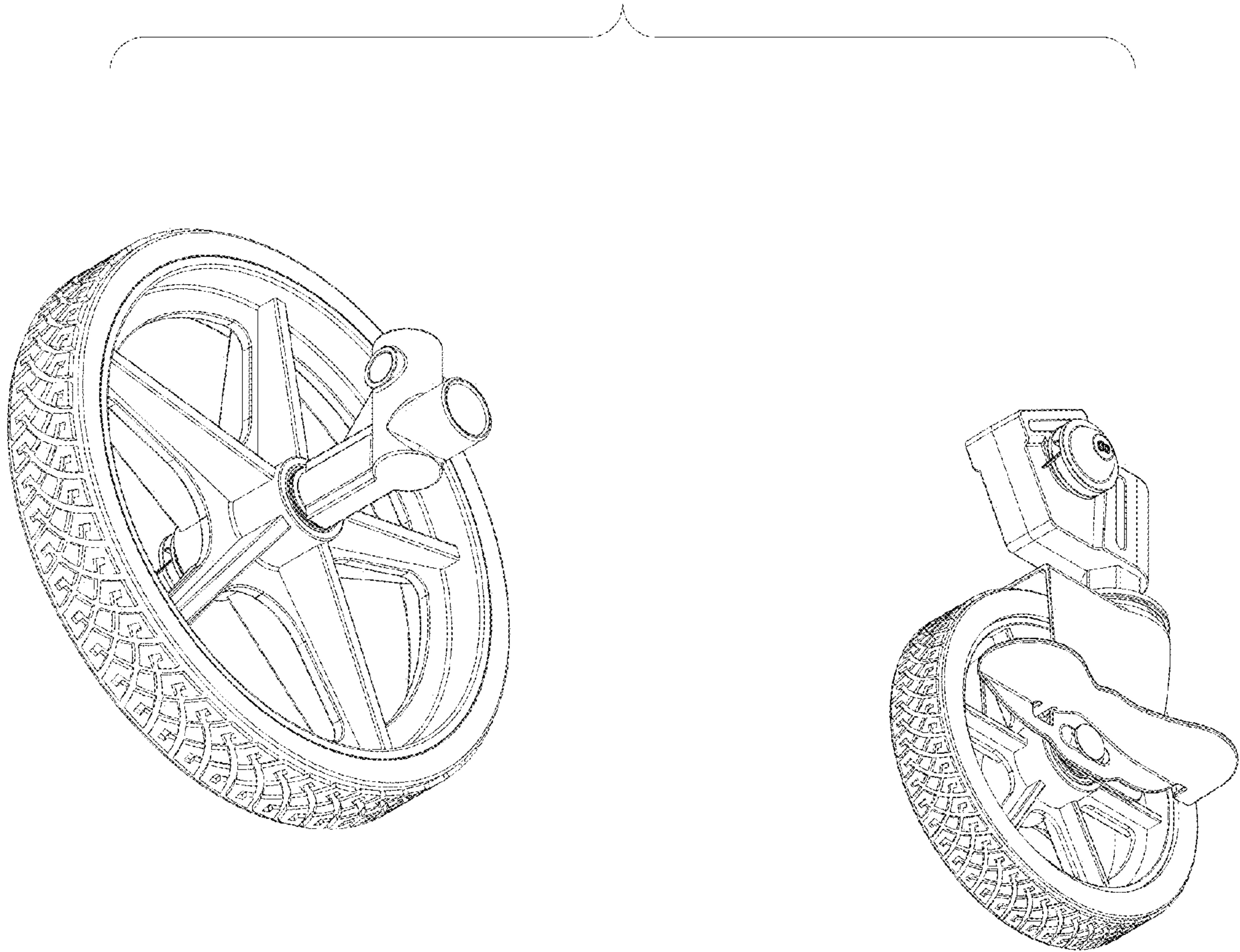


FIG. 8

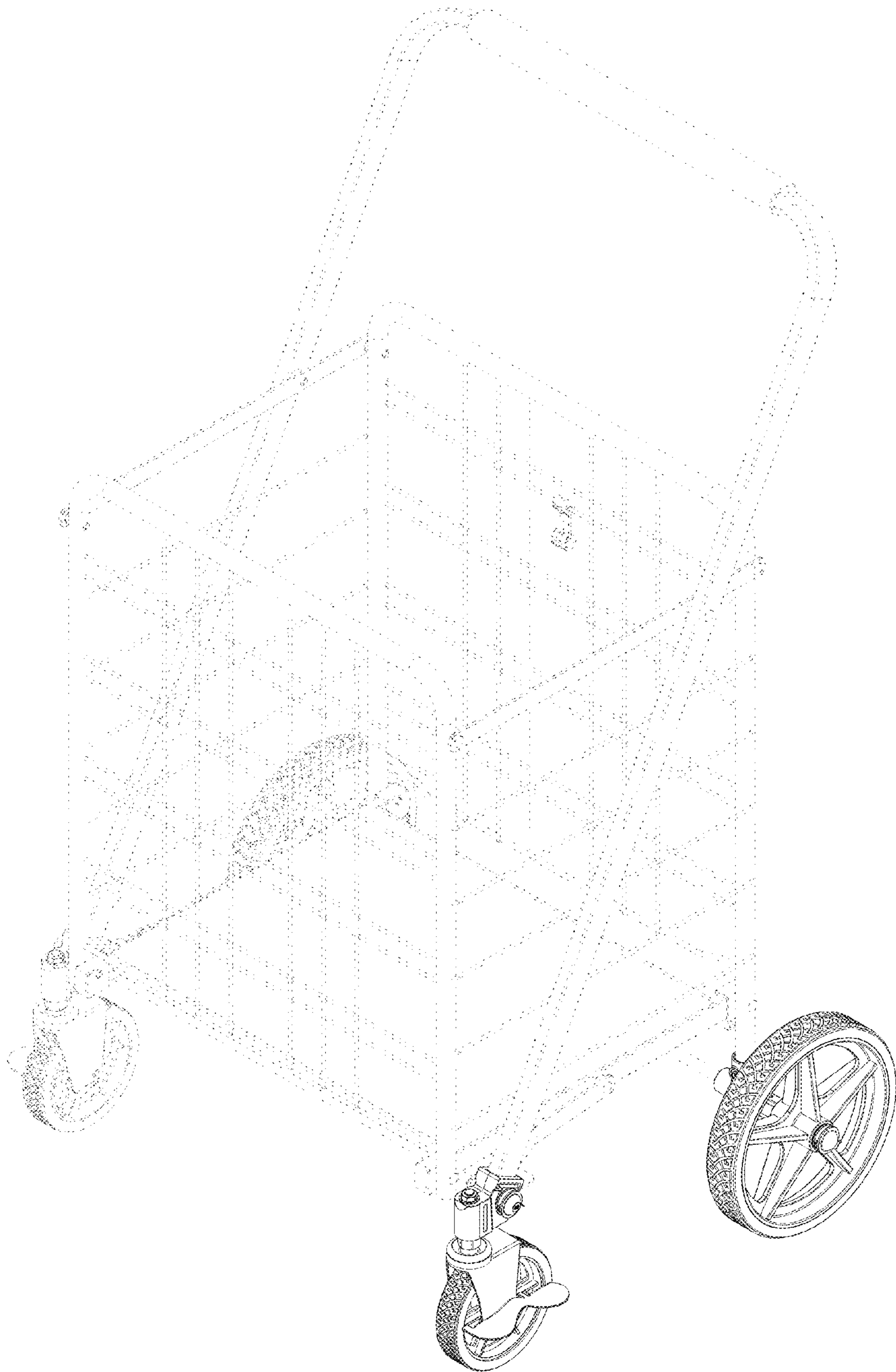


FIG. 9