



US0D1021290S

(12) **United States Design Patent** (10) **Patent No.:** **US D1,021,290 S**
Song (45) **Date of Patent:** **** Apr. 2, 2024**

(54) **CAT TREE**

(71) Applicant: **Ziel Home Furnishing Technology Co., Ltd., Zhengzhou (CN)**

(72) Inventor: **Chuan Song, Zhengzhou (CN)**

(73) Assignee: **Ziel Home Furnishing Technology Co., Ltd., Zhengzhou (CN)**

(**) Term: **15 Years**

(21) Appl. No.: **29/843,248**

(22) Filed: **Jun. 20, 2022**

(51) **LOC (14) Cl.** **30-06**

(52) **U.S. Cl.**
USPC **D30/160**

(58) **Field of Classification Search**
USPC D30/108, 112, 117, 118, 158, 160, 161, D30/199

CPC ... A01K 15/024; A01K 15/025; A01K 15/027
See application file for complete search history.

(56) **References Cited**

U.S. PATENT DOCUMENTS

D883,585 S *	5/2020	Song	D30/160
D928,427 S *	8/2021	Guo	D30/160
D937,498 S *	11/2021	Baker	D30/108
D941,535 S *	1/2022	Guo	D30/160
D942,093 S *	1/2022	Huang	D30/160
D942,712 S *	2/2022	Huang	D30/160
D982,261 S *	3/2023	Guo	D30/160
D982,264 S *	3/2023	Xu	D30/160
D982,847 S *	4/2023	Song	D30/158
2010/0154719 A1 *	6/2010	Kellogg	A01K 15/025 119/702
2016/0360729 A1 *	12/2016	Shi	A01K 29/005

FOREIGN PATENT DOCUMENTS

GB 6212449 * 6/2022

OTHER PUBLICATIONS

Feandrea WoodyWonders Cat Tree with Litter Box Enclosure, 2-in-1 Modern Tower, Furniture Hidden, Cat Condo with Scratching Posts, Removable Pompom Sticks, Rustic Brown UPCT113X01; posted Dec. 14, 2021, retrieved Sep. 7, 2023 [online]. URL: <https://www.amazon.com/dp/B09NLX2461?th=1> (Year: 2021).*

Timberer Litter Box Enclosure with Cat Tree, Wooden Cat House with Cat Tree Tower, Rustic Brown; posted Sep. 30, 2022, retrieved Sep. 7, 2023 [online]. URL: <https://www.amazon.com/Timberer-Litter-Enclosure-Furniture-Scratching/dp/B0B566JH8S?th=1> (Year: 2022).*

SONGMiCSHOME Feandrea Cat Tree with Litter Box Enclosure; posting date unavailable, retrieved Sep. 7, 2023 [online]. URL: <https://www.songmics.com/products/feandrea-woodywonders-cat-tree-upct113?variant=43722297049337> (Year: 2023).*

* cited by examiner

Primary Examiner — Samantha Wood

Assistant Examiner — Emily A Caven

(74) *Attorney, Agent, or Firm* — Jose Cherson Weissbrot

(57) **CLAIM**

The ornamental design for a cat tree, as shown and described.

DESCRIPTION

FIG. 1 is a front Perspective view of a cat tree showing my new design;

FIG. 2 is another perspective view of thereof;

FIG. 3 is a front view thereof;

FIG. 4 is a rear view thereof;

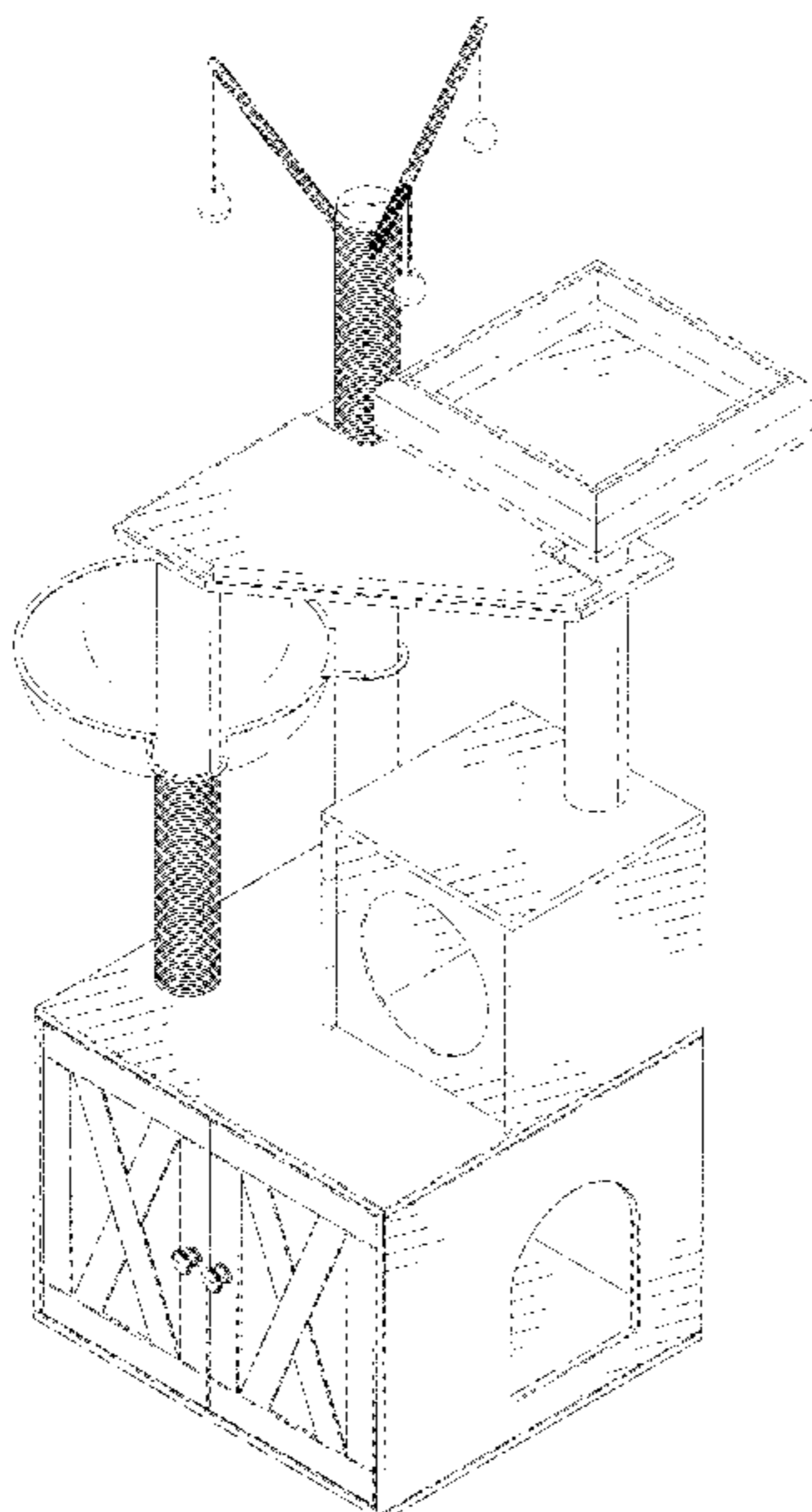
FIG. 5 is a left side view thereof;

FIG. 6 is a right side view thereof;

FIG. 7 is a top view thereof; and,

FIG. 8 is a bottom view thereof.

1 Claim, 7 Drawing Sheets



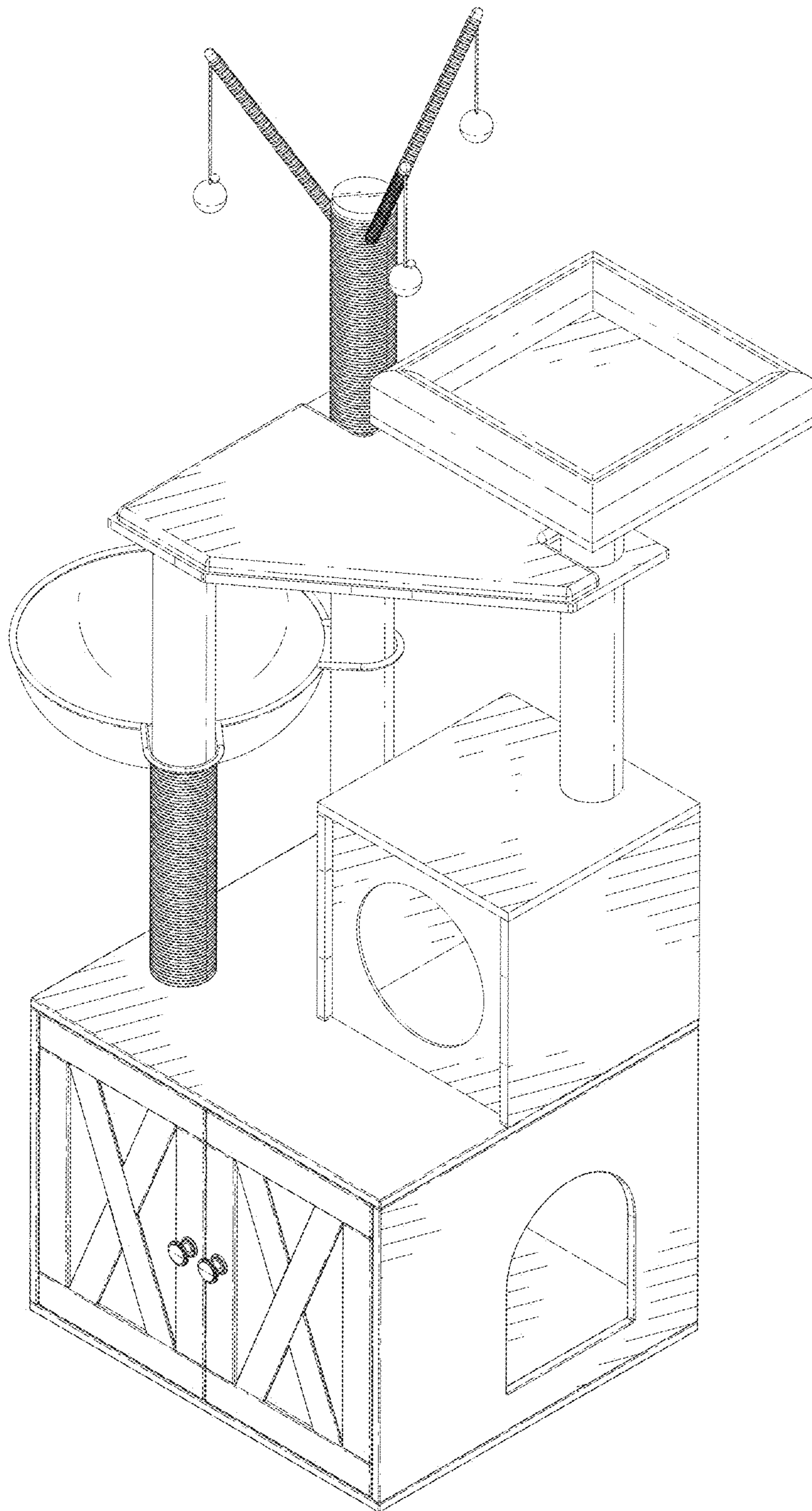


FIG. 1

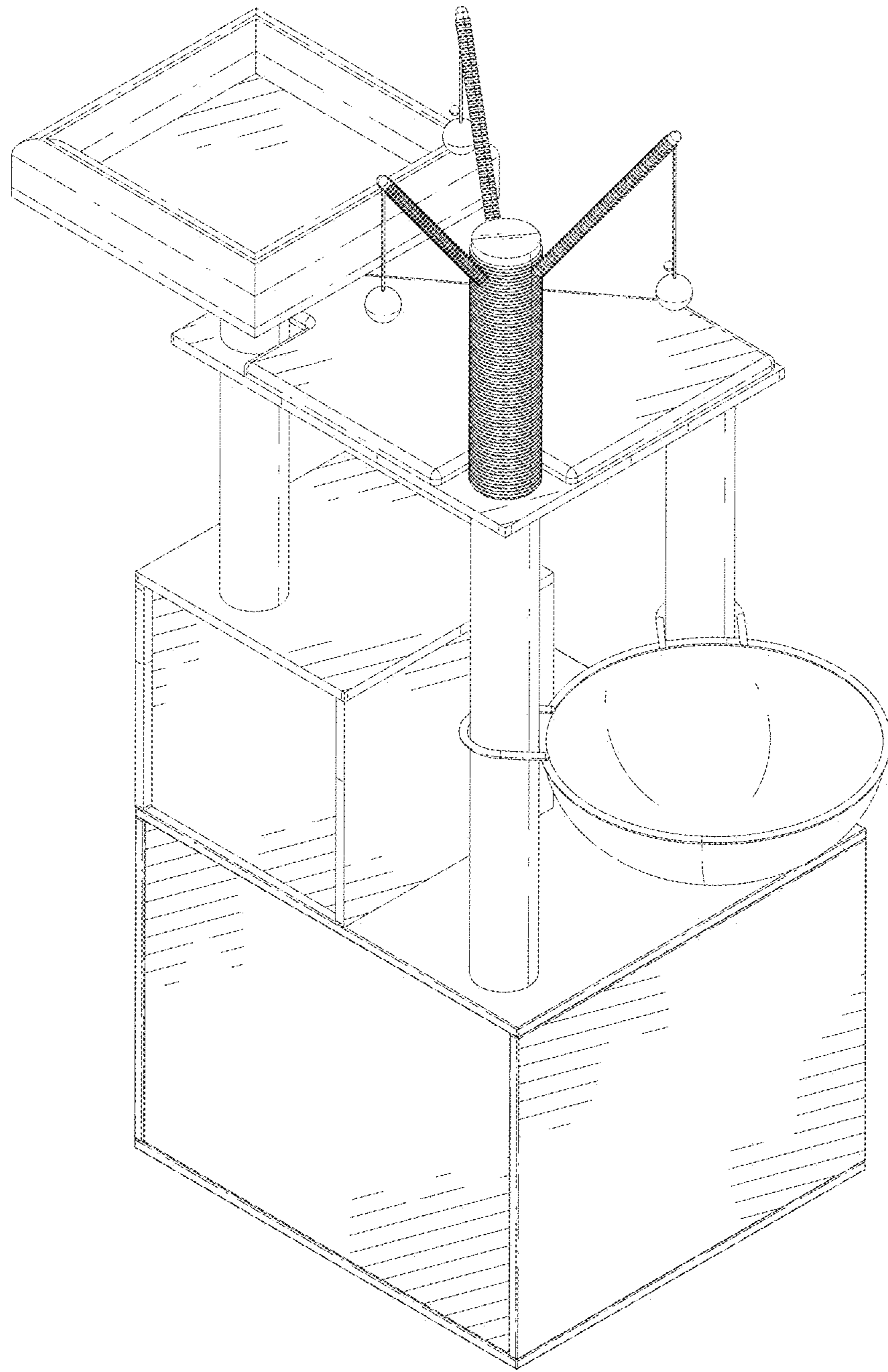


FIG. 2

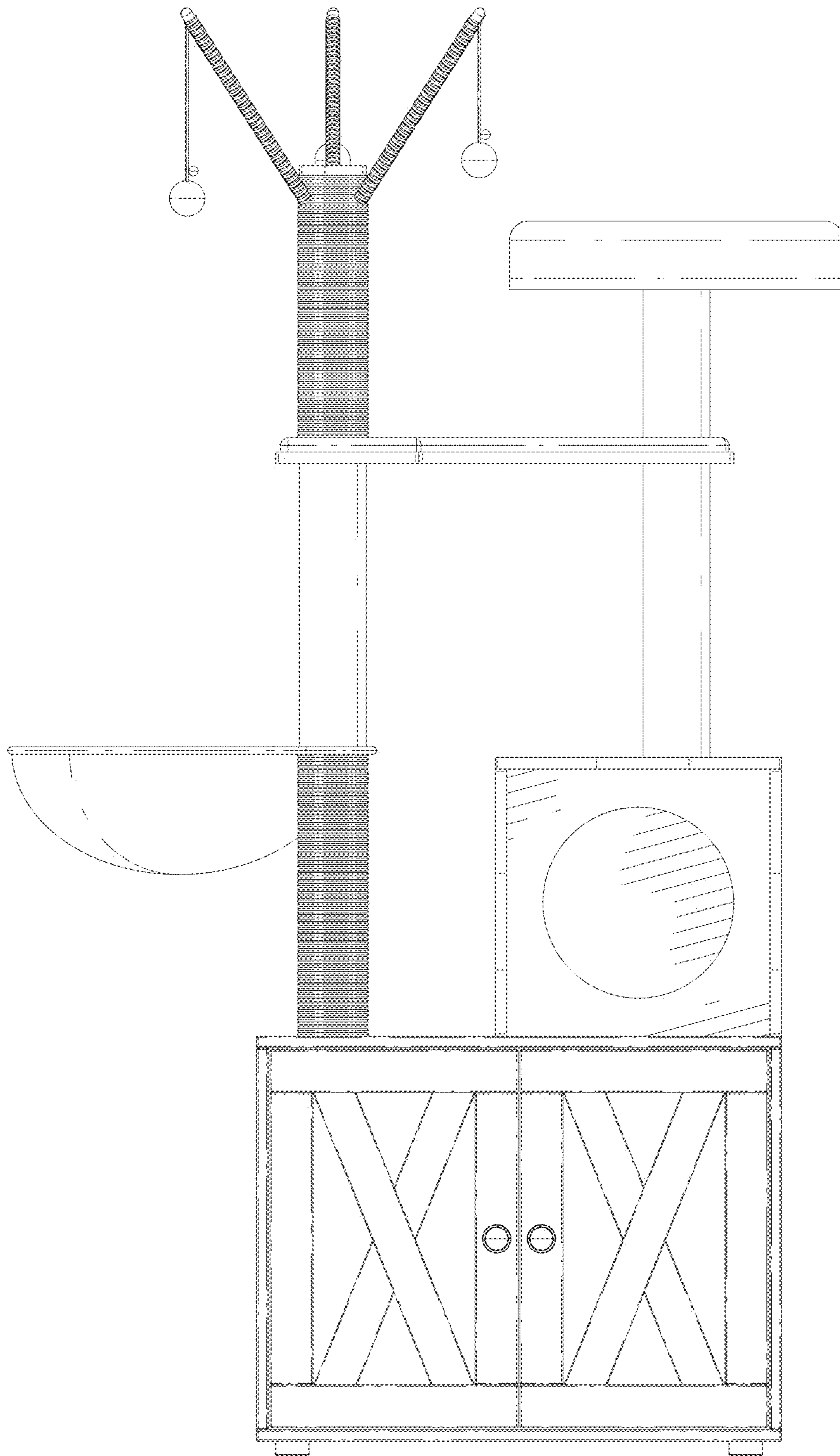


FIG. 3

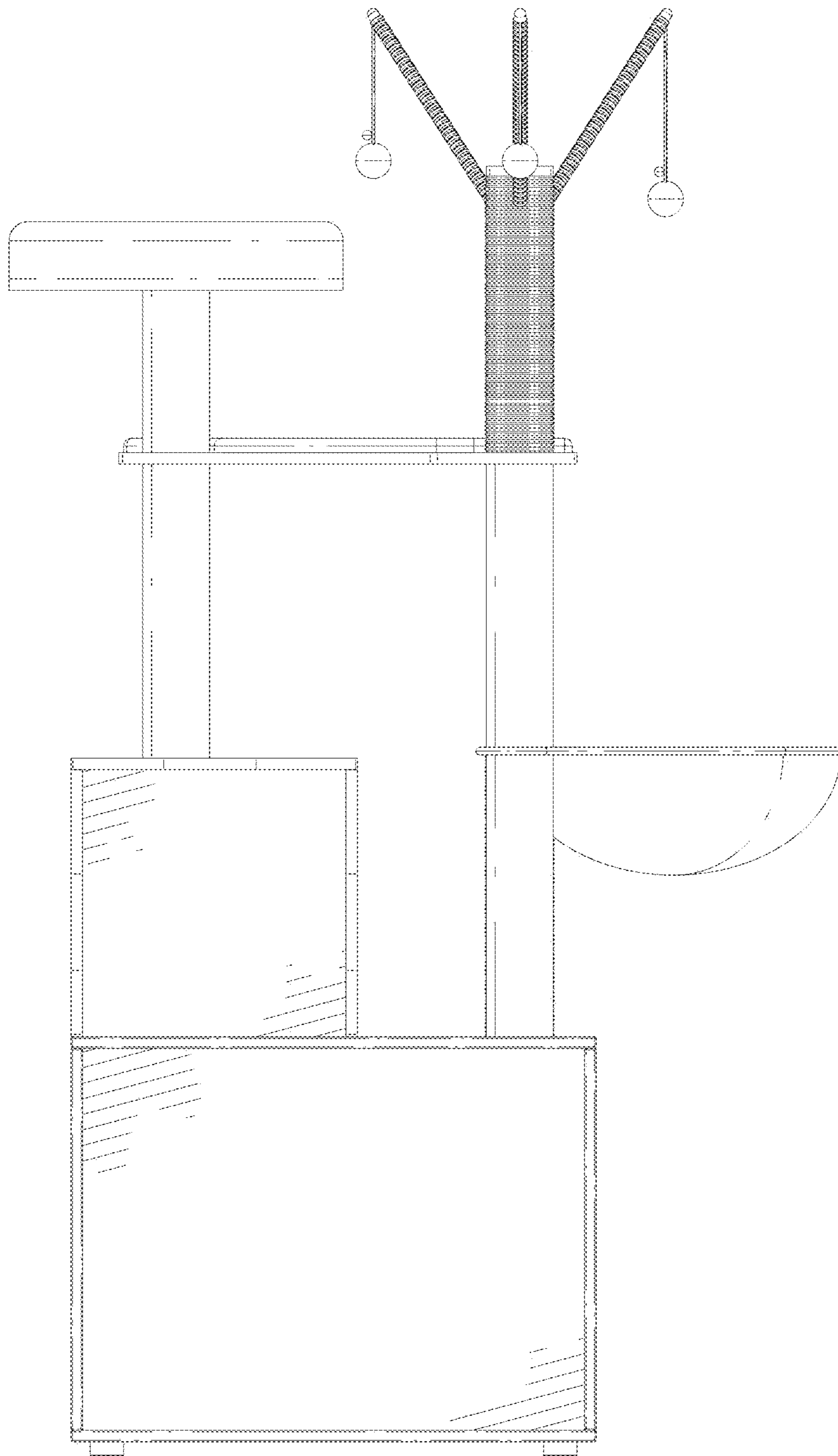


FIG. 4

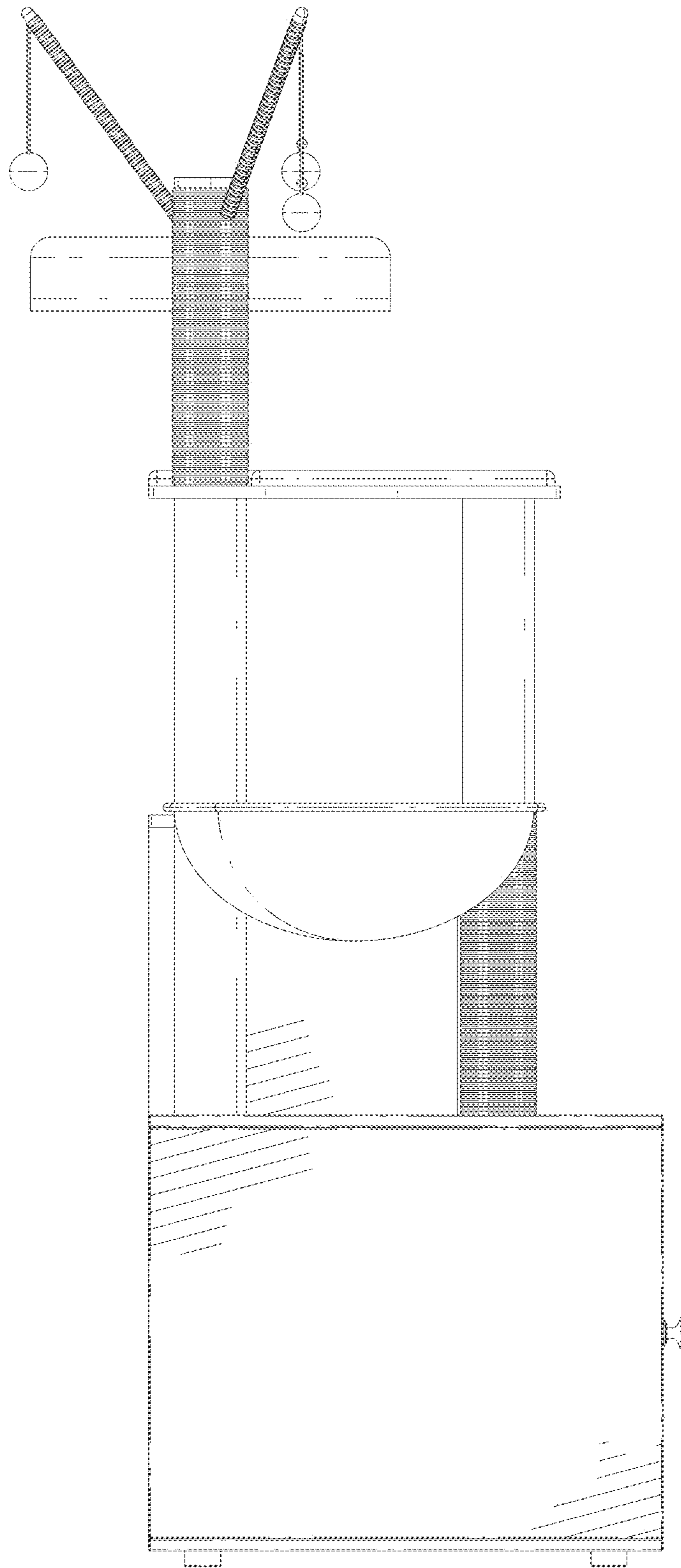


FIG. 5

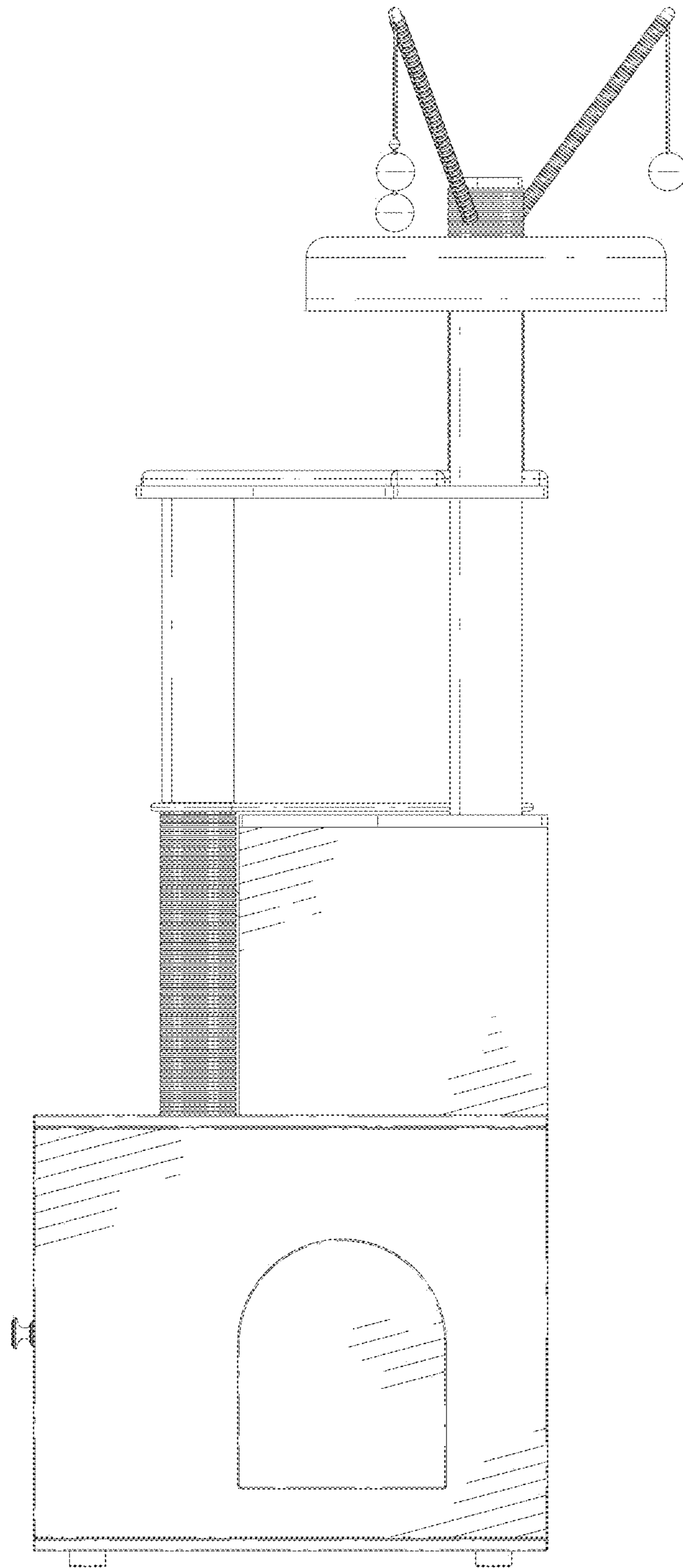


FIG. 6

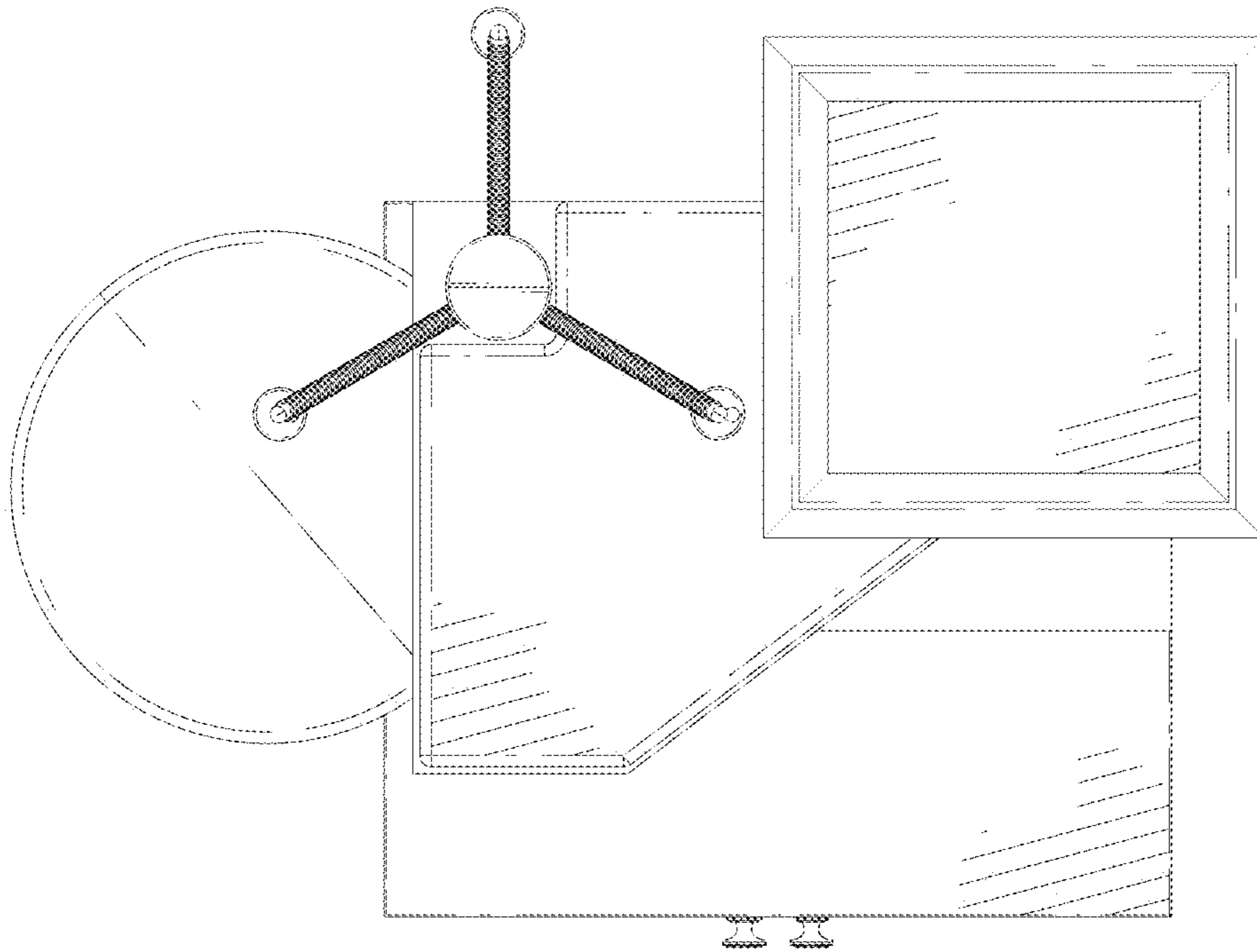


FIG. 7

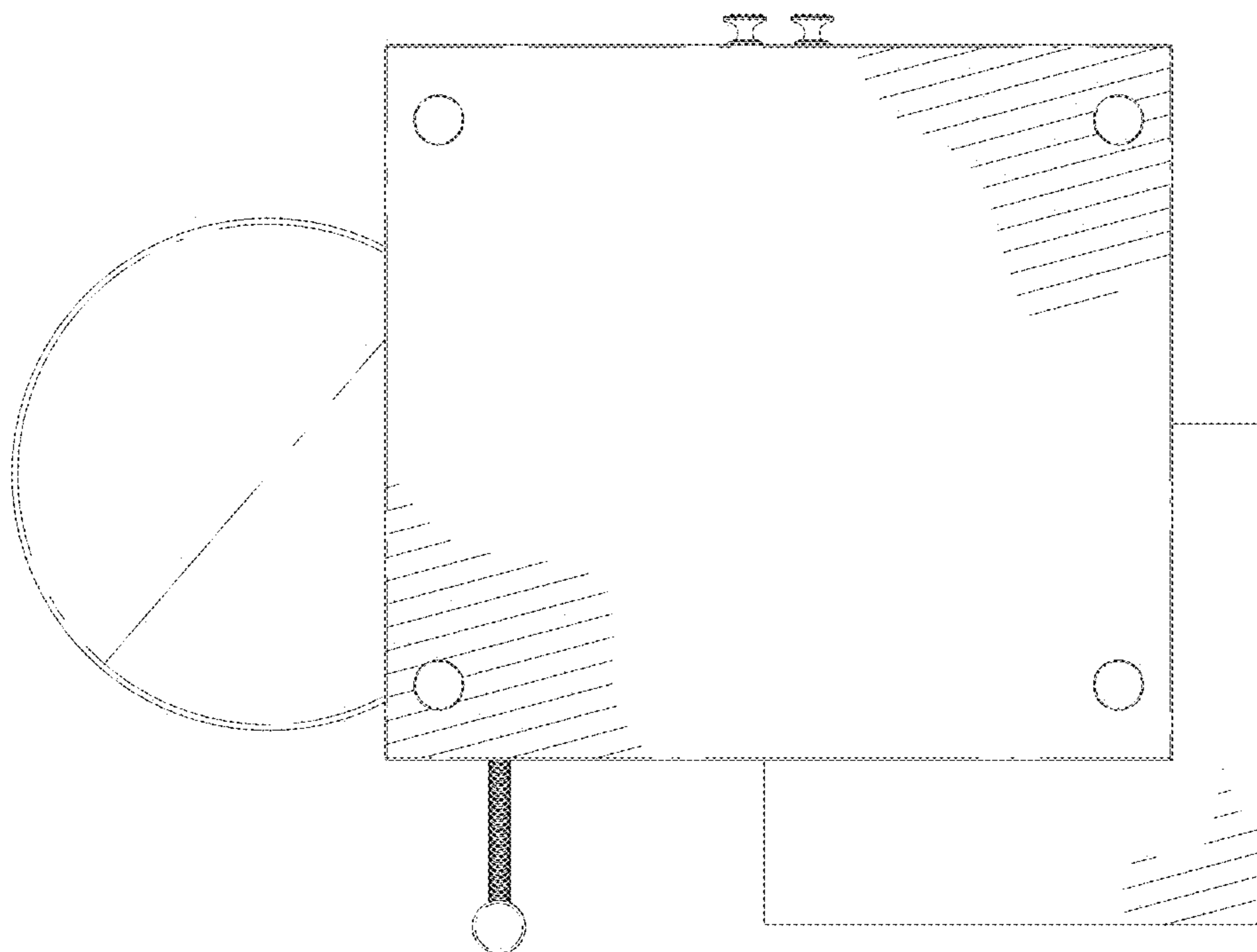


FIG. 8