



US0D1021284S

(12) **United States Design Patent** (10) **Patent No.:** **US D1,021,284 S**
Pan (45) **Date of Patent:** **** Apr. 2, 2024**

(54) **PET JACKET**

FOREIGN PATENT DOCUMENTS

(71) Applicant: **Min Pan**, Hangzhou (CN)

CN 305133537 * 4/2019

(72) Inventor: **Min Pan**, Hangzhou (CN)

OTHER PUBLICATIONS

(**) Term: **15 Years**

Vivaglory Dog Coat Fleece Jacket Vest, available in Amazon.co.uk, date first available Aug. 21, 2020 [online], [site visited Apr. 13, 2023], Available from the internet URL: https://www.amazon.co.uk/VIVAGLORY-Fleece-Windproof-Clothes-Weather/dp/B08FT223CL?ref=ast_sto_dp&th=1 (Year: 2020).*

(21) Appl. No.: **29/790,885**

(22) Filed: **Dec. 20, 2021**

(51) **LOC (14) Cl.** **30-01**

(52) **U.S. Cl.**

USPC **D30/145**

(58) **Field of Classification Search**

USPC D2/829; D21/804-806; D29/101.1, D29/101.3, 101.4; D30/144, 145, 151, D30/152, 199

CPC A01K 13/00; A01K 13/006; A01K 13/008; A01K 27/002; A01K 27/008; A01K 1/0263; A41B 13/08; A61D 9/00

See application file for complete search history.

Primary Examiner — Vy N Koenig
Assistant Examiner — Elizabeth Anne Glassberg
(74) *Attorney, Agent, or Firm* — Fogarty LLP

(57) **CLAIM**

The ornamental design for a pet jacket, as shown and described.

DESCRIPTION

(56) **References Cited**

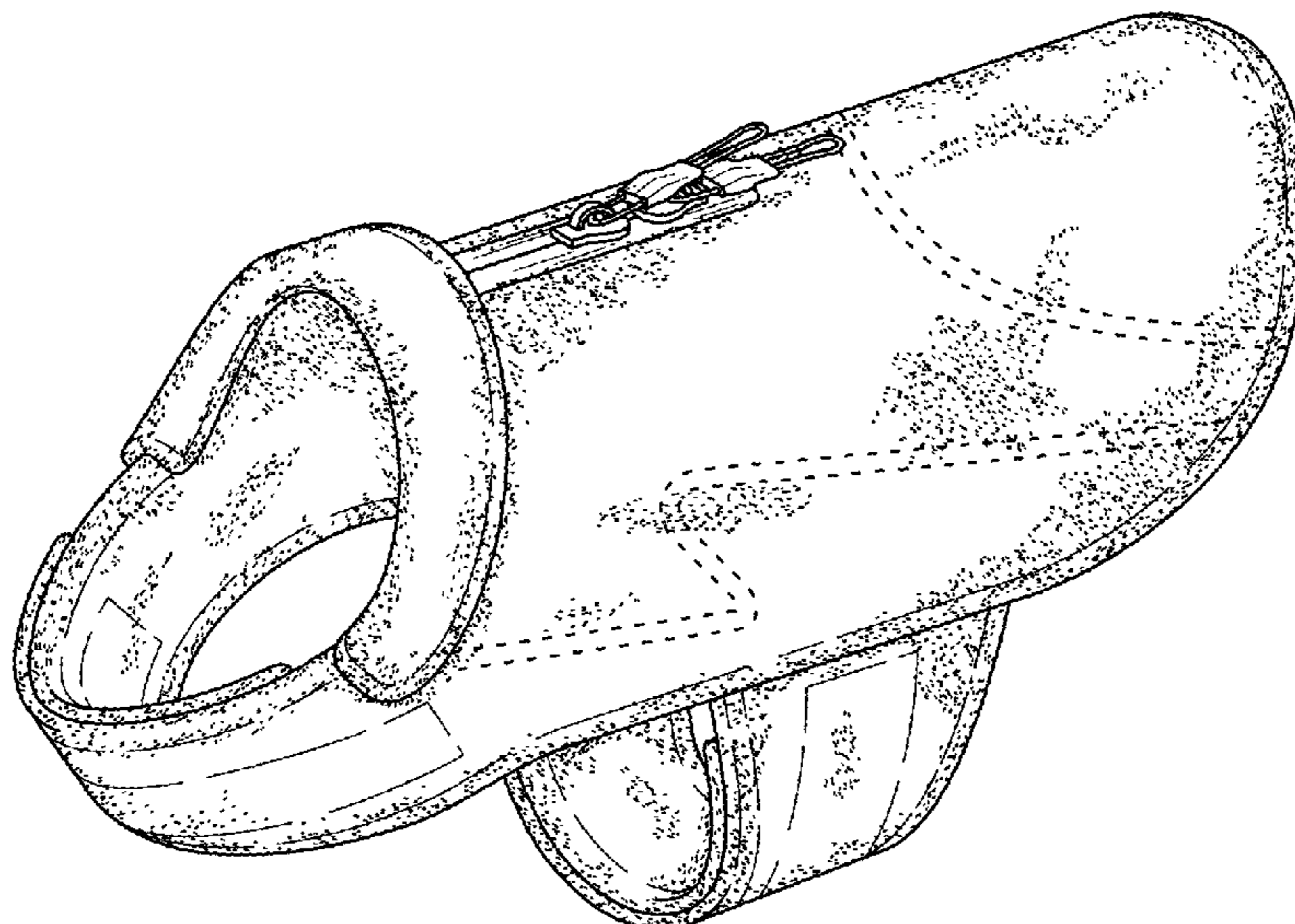
U.S. PATENT DOCUMENTS

3,248,852	A *	5/1966	Schwartz	A01K 13/006
					54/79.1
D379,687	S *	6/1997	Curtis	D30/144
D397,533	S *	8/1998	Lidis	D30/145
D457,276	S *	5/2002	Lidis	D30/145
D470,275	S *	2/2003	Lidis	D30/145
6,584,939	B1 *	7/2003	Brezinski	A01K 13/008
					D30/145
D479,896	S *	9/2003	Wilson	D30/145
D486,275	S *	2/2004	Grubb	D30/145
D526,452	S *	8/2006	Crain	D30/145
D591,460	S *	4/2009	deCarvalho	D30/145
D633,257	S *	2/2011	Trias	D30/152
D679,872	S *	4/2013	Rissanen	D30/144
D777,995	S *	1/2017	Thitz	D30/145
10,517,270	B2 *	12/2019	Gilbert	A01K 13/008
D929,050	S *	8/2021	Shen	D30/145
D952,960	S *	5/2022	Wang	D30/145

(Continued)

FIG. 1 is a perspective view of a pet jacket, showing my new design;
FIG. 2 is a front elevation view thereof;
FIG. 3 is a rear elevation view thereof;
FIG. 4 is a right-side elevation view thereof;
FIG. 5 is a left-side elevation view thereof;
FIG. 6 is a top plan view thereof;
FIG. 7 is a bottom plan view thereof;
FIG. 8 is a top plan view thereof, shown in a flat configuration; and,
FIG. 9 is a bottom plan view thereof.
The stippling on the surface of the jacket represents a fuzzy material (e.g., fleece or fur).
The short broken lines on the outside surface of the pet jacket depict a stitching pattern that forms part of the claimed design. The long broken lines depicting an additional stitching pattern form no part of the claimed design.

1 Claim, 8 Drawing Sheets



(56)

References Cited

U.S. PATENT DOCUMENTS

D987,911 S * 5/2023 Pan D21/805
2013/0276719 A1* 10/2013 Ferrando A01K 13/008
119/850
2017/0172107 A1* 6/2017 Quintana A01K 13/006

* cited by examiner

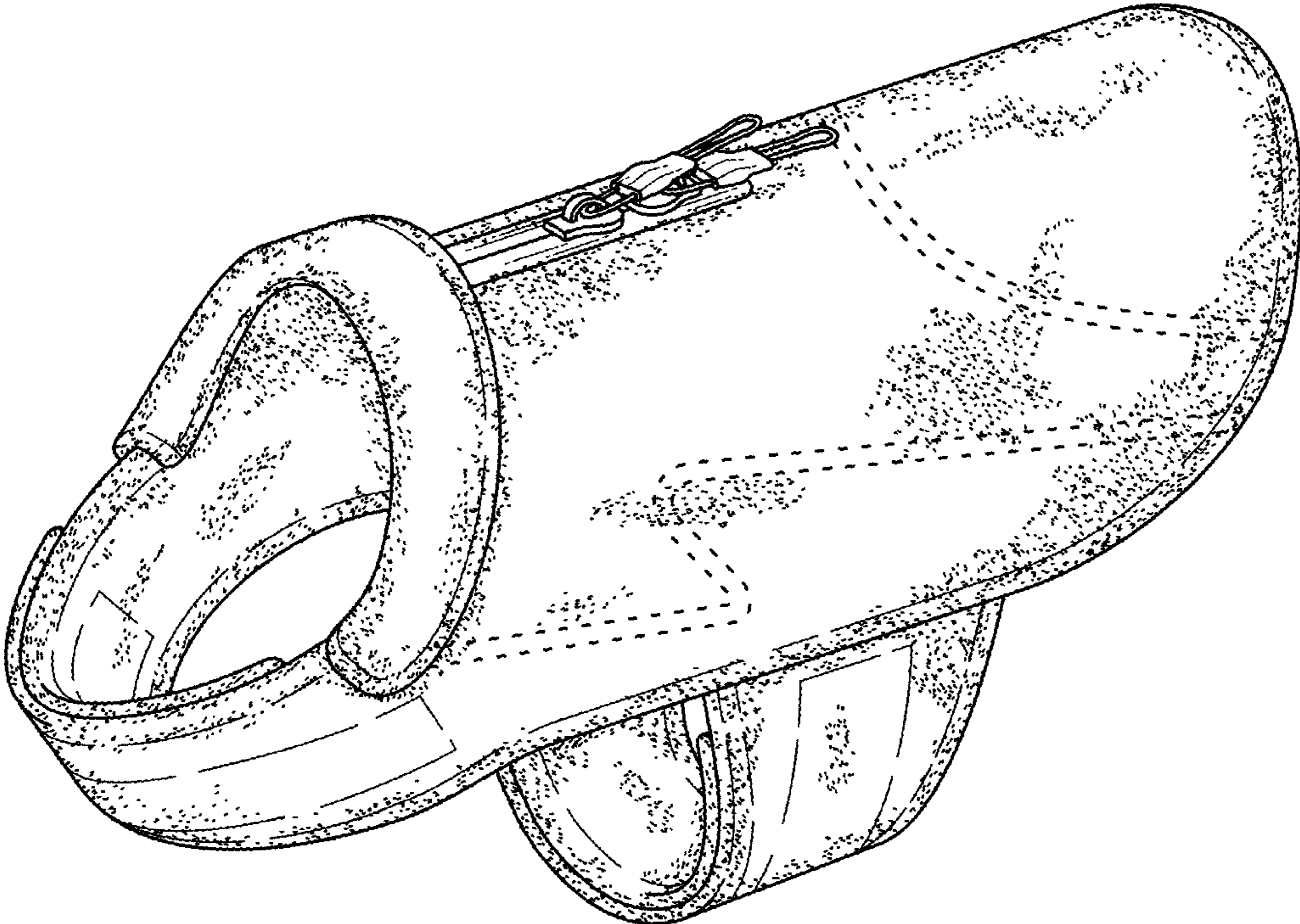


FIG. 1

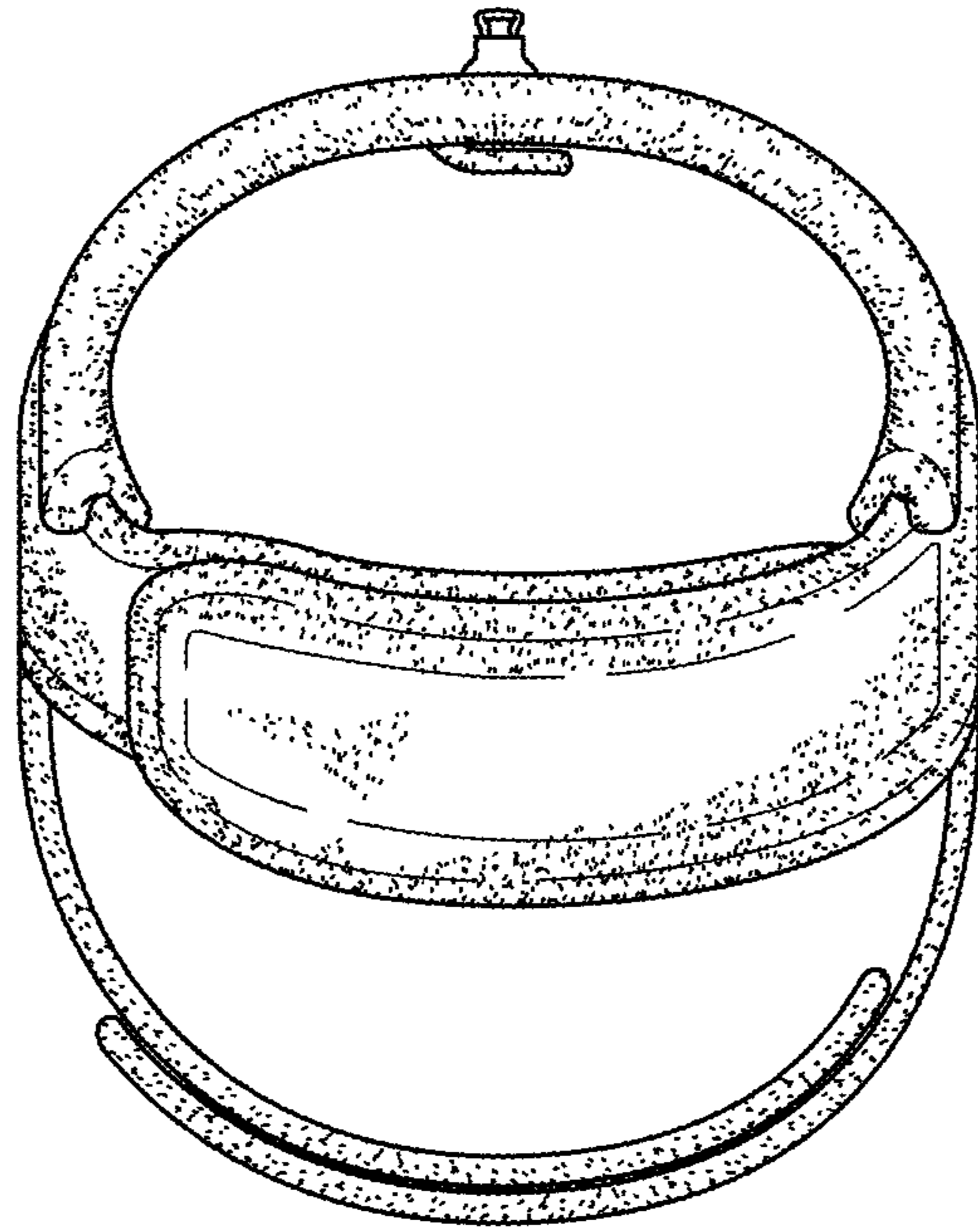


FIG. 2

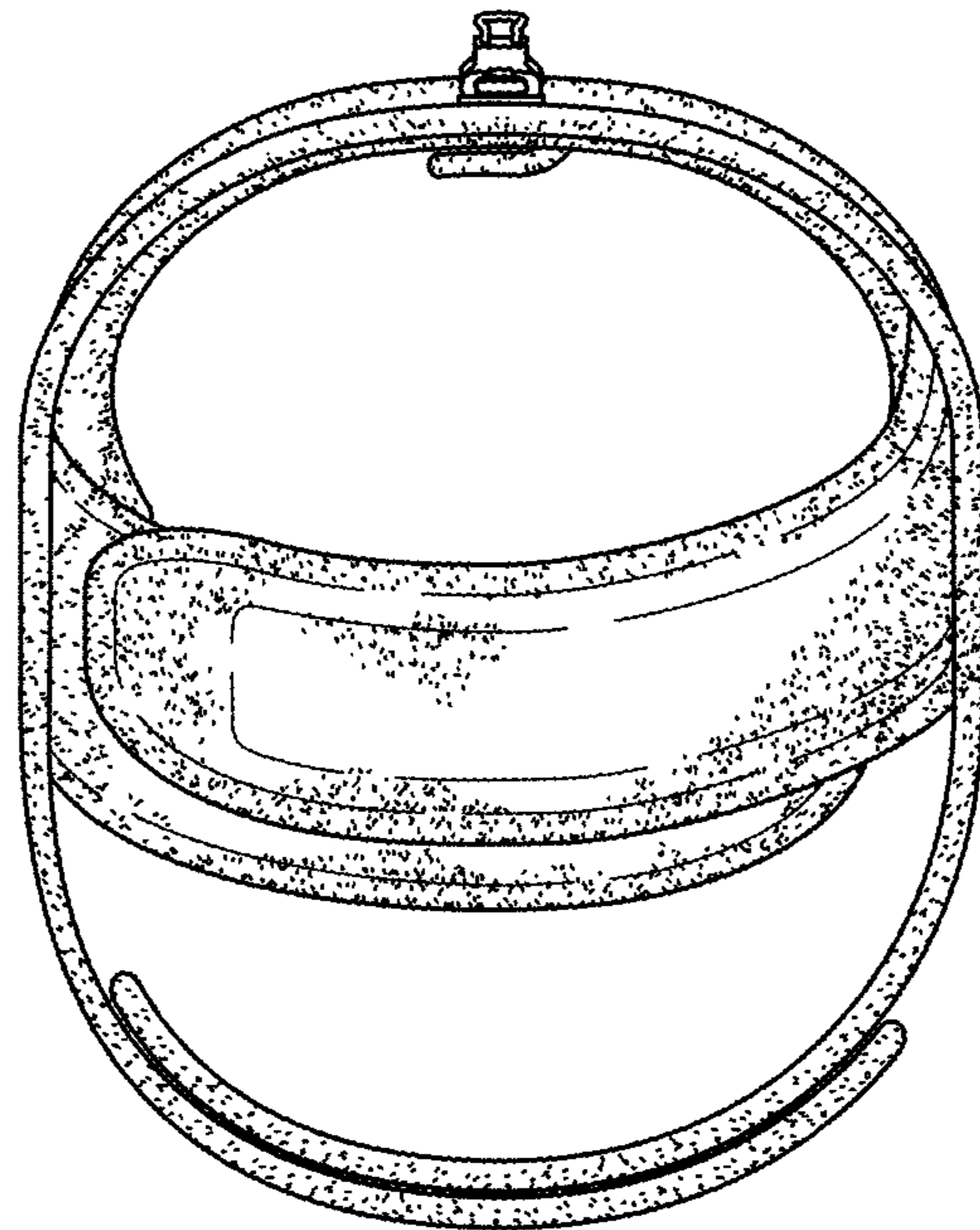


FIG. 3

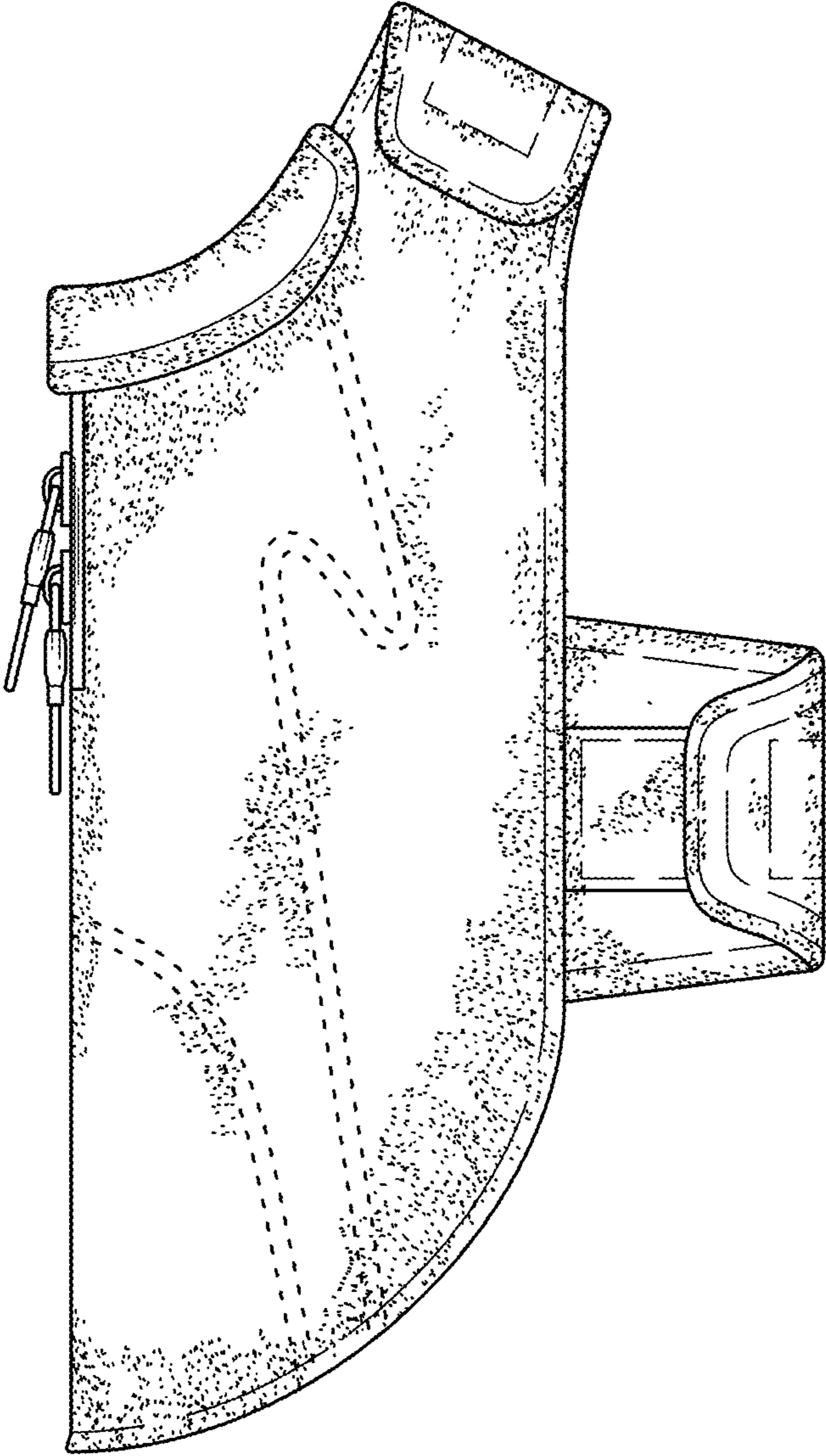


FIG. 4

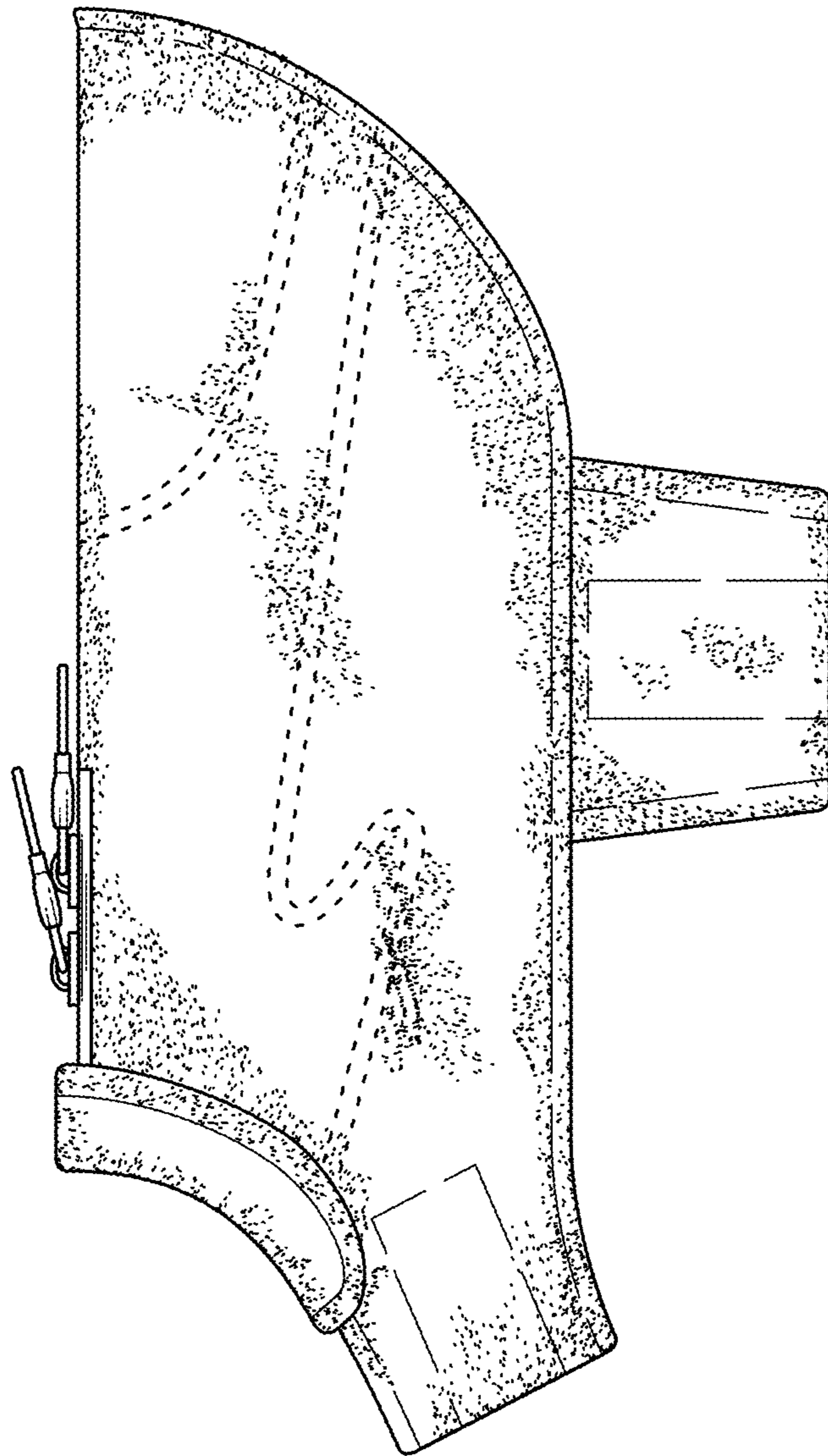


FIG. 5

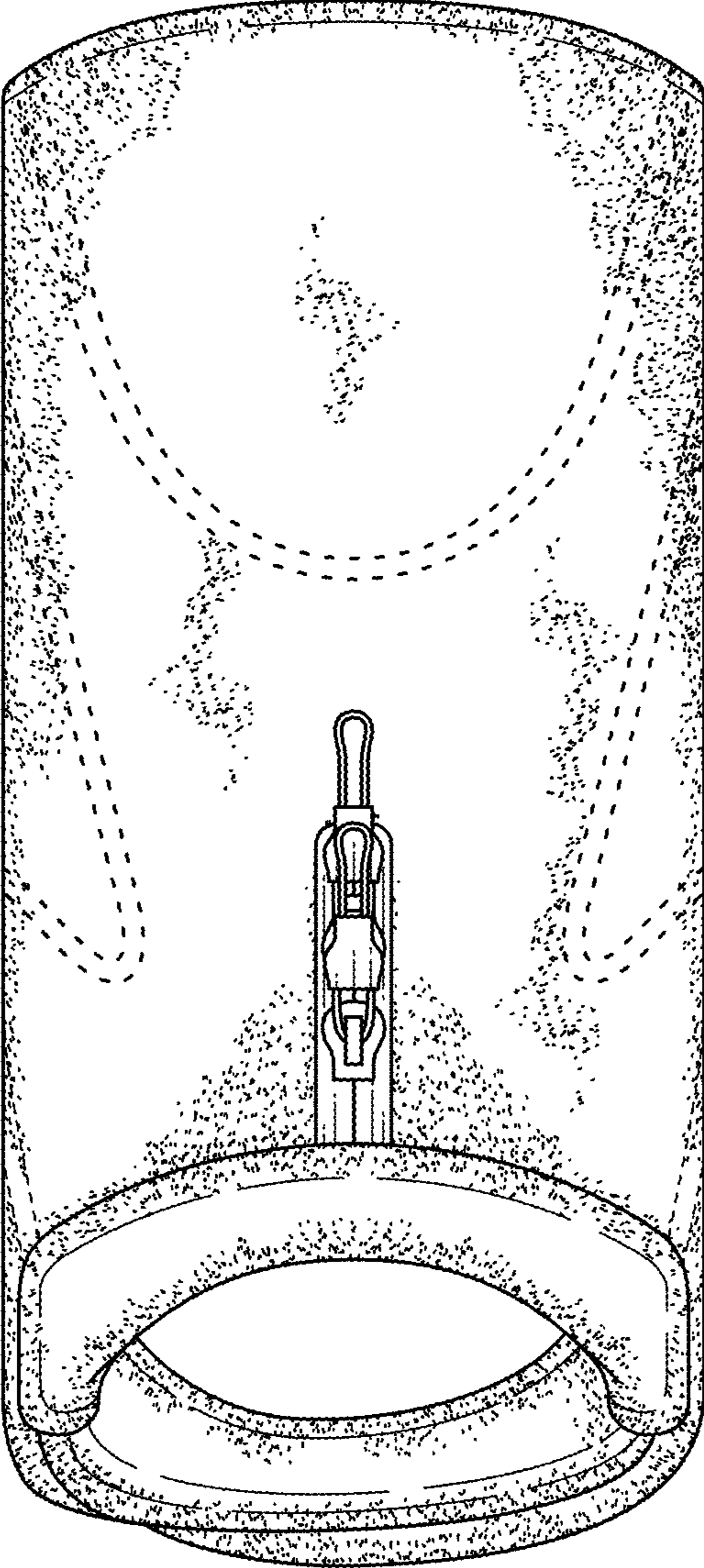


FIG. 6

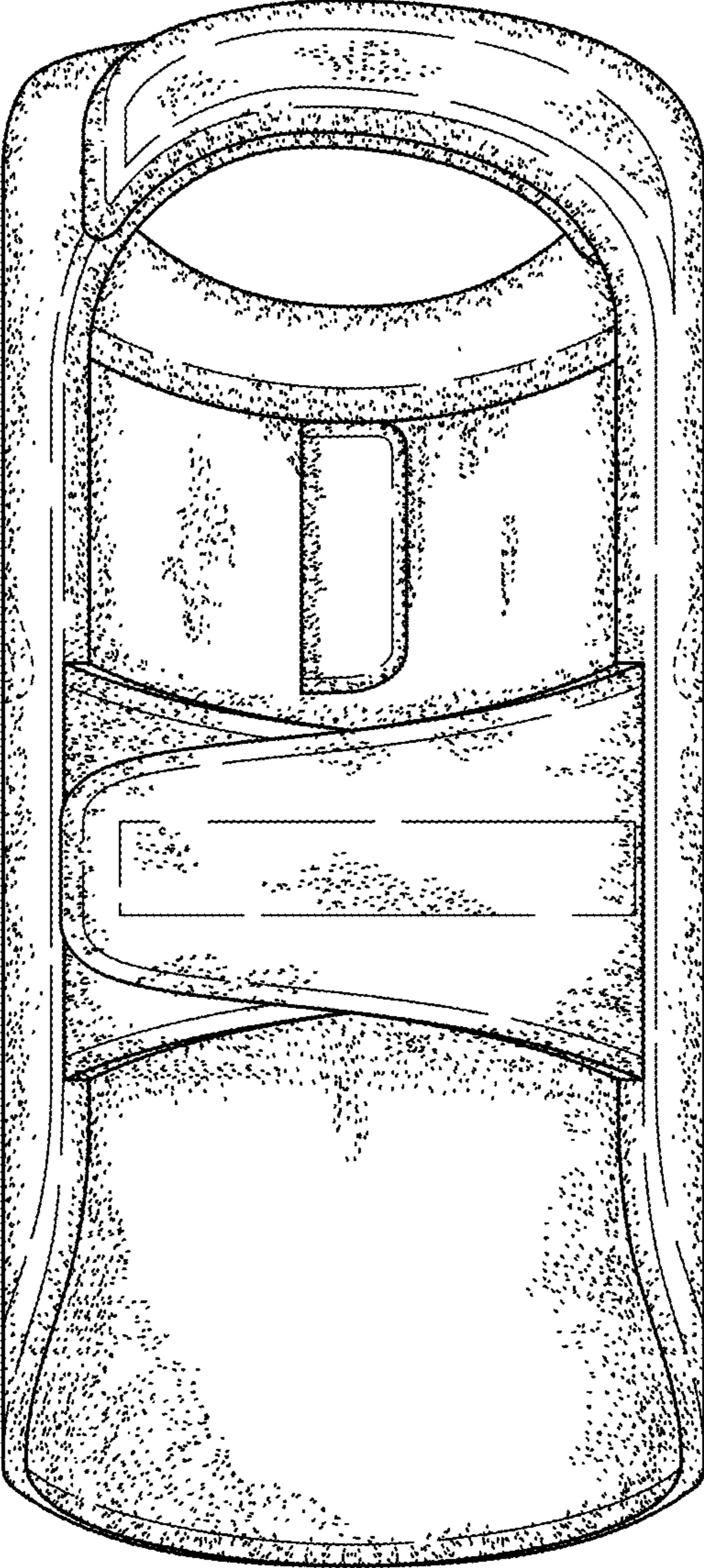


FIG. 7

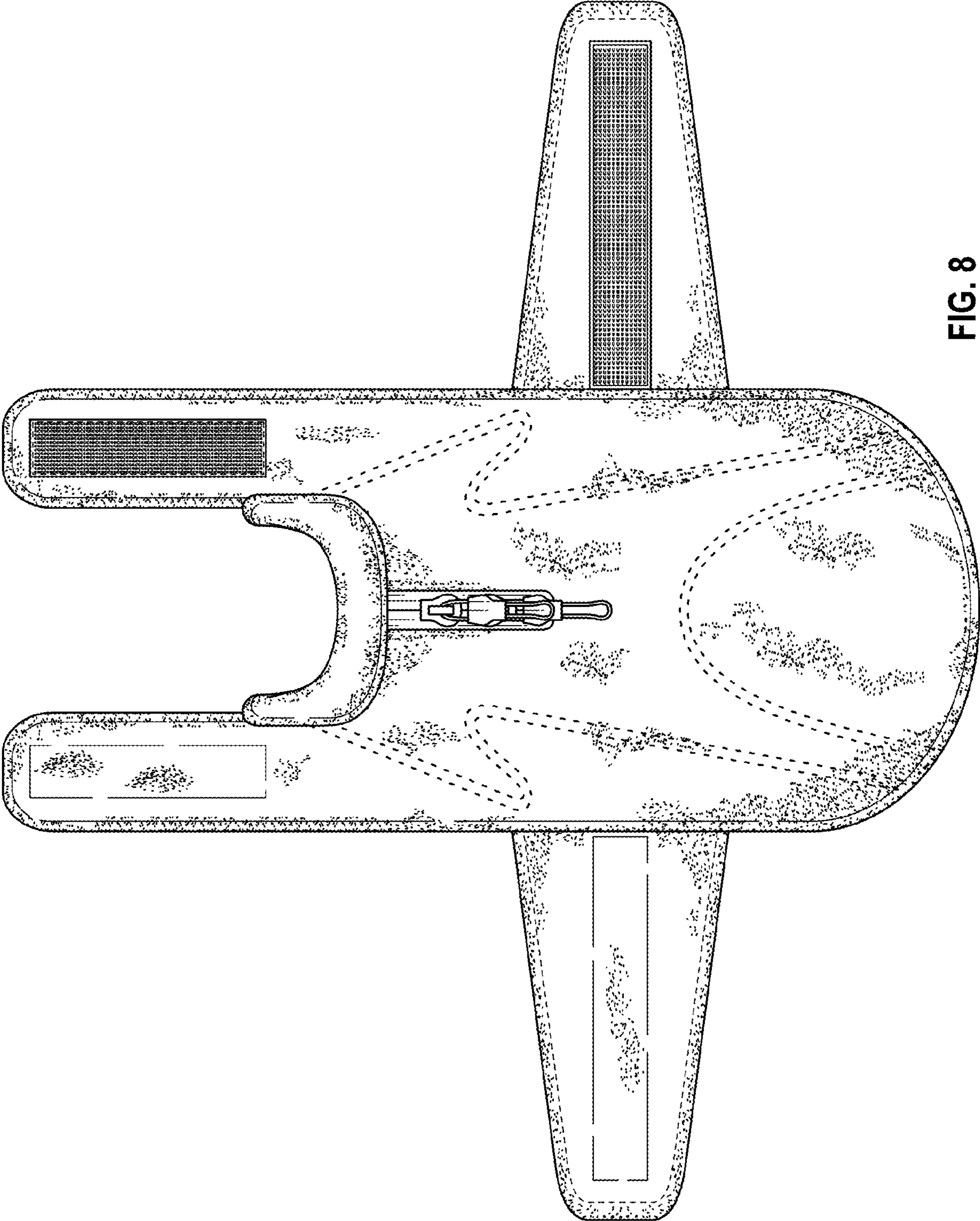


FIG. 8

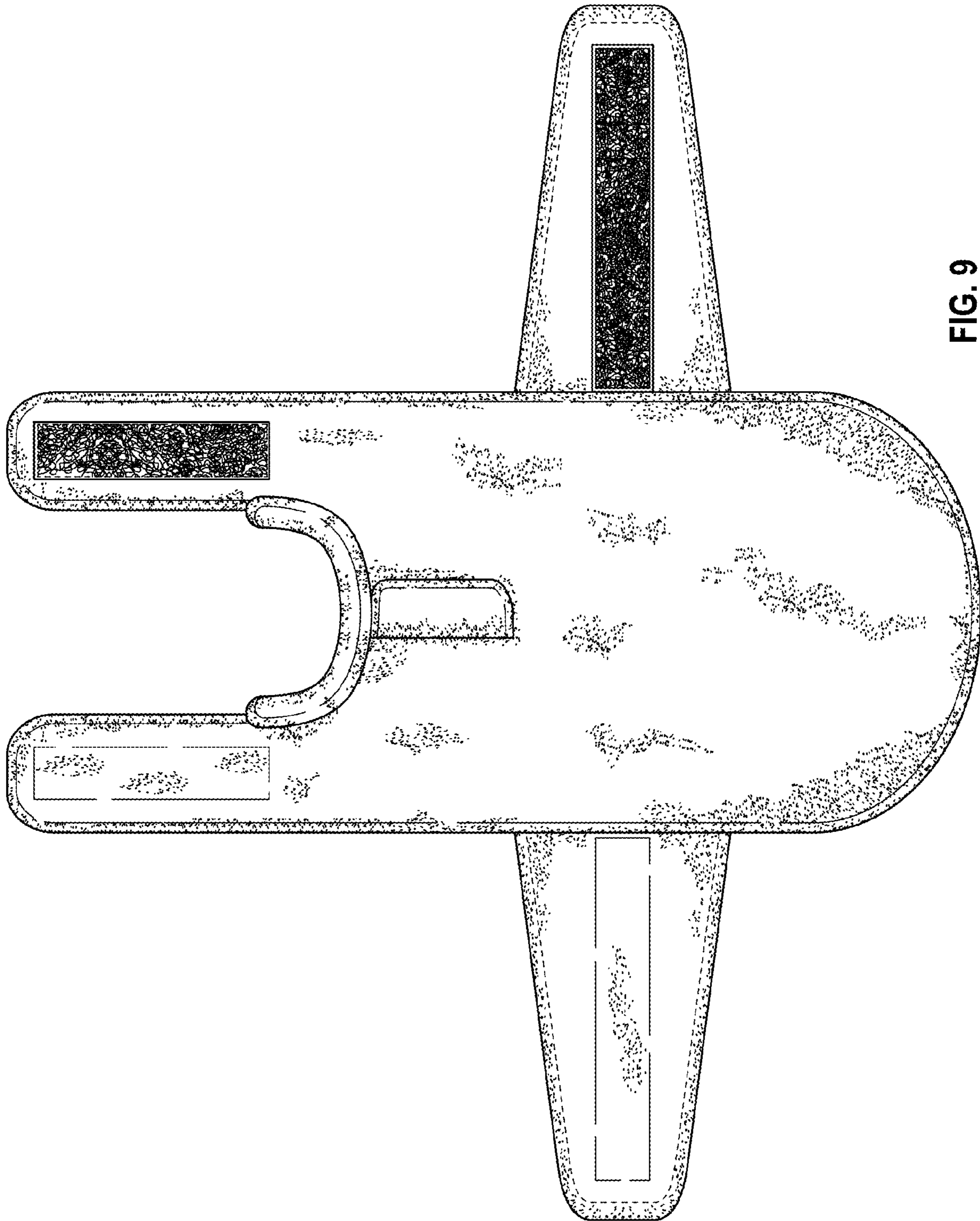


FIG. 9