



US0D1021251S

(12) **United States Design Patent** (10) **Patent No.:** **US D1,021,251 S**
Santos et al. (45) **Date of Patent:** **** Apr. 2, 2024**

(54) **HAIR TRIMMER APPLIANCE**
(71) Applicant: **CONAIR LLC**, Stamford, CT (US)
(72) Inventors: **Mary Khoun Santos**, Stamford, CT (US); **Sophia Wojczak**, Harrison, NY (US); **Daniel Bishop**, Trumbull, CT (US)
(73) Assignee: **Conair LLC**, Stamford, CT (US)
(**) Term: **15 Years**
(21) Appl. No.: **29/797,433**
(22) Filed: **Jun. 30, 2021**
(51) **LOC (14) Cl.** **28-03**
(52) **U.S. Cl.**
USPC **D28/49**; D28/53
(58) **Field of Classification Search**
USPC D28/49-54
CPC . B26B 19/08; B26B 19/3853; B26B 19/3873;
B26B 19/10-107; B26B 19/3846; B26B
19/063-066; B26B 19/384; B26B
19/046-048; B26B 19/38; B26B 19/3813;
B26B 19/382-3826; B26B 19/26-265;
B26B 19/02; B26B 19/00; B26B
19/22-24; B26B 19/20-205
See application file for complete search history.

(56) **References Cited**
U.S. PATENT DOCUMENTS
6,378,210 B1 4/2002 Bickford
D486,267 S 2/2004 Goetschi
D608,051 S * 1/2010 Tamsiran D28/53
D675,377 S * 1/2013 Boulanger D28/51
D675,378 S * 1/2013 Boulanger D28/51

D696,460 S 12/2013 Prat-Pfister et al.
8,677,627 B2 3/2014 Li et al.
D749,785 S * 2/2016 Boulanger D28/51
D750,325 S * 2/2016 Nho D28/53
D802,214 S 11/2017 Mintz et al.
D808,592 S * 1/2018 Fleming D28/53
D830,633 S * 10/2018 Gamble D28/53
D844,246 S * 3/2019 Yan D28/50
D866,860 S * 11/2019 Dawson D28/53
D866,861 S * 11/2019 Dawson D28/53
D880,769 S * 4/2020 Dawson D28/54
D926,376 S * 7/2021 Negishi D28/53
D936,289 S * 11/2021 Boss D28/53
D950,849 S * 5/2022 Zak D28/49
D959,742 S * 8/2022 Li D28/51
D960,451 S * 8/2022 Huang D28/50
D961,159 S * 8/2022 Huang D28/50

* cited by examiner

Primary Examiner — Jennifer Rivard
(74) *Attorney, Agent, or Firm* — Ruggiero McAllister & McMahon LLC

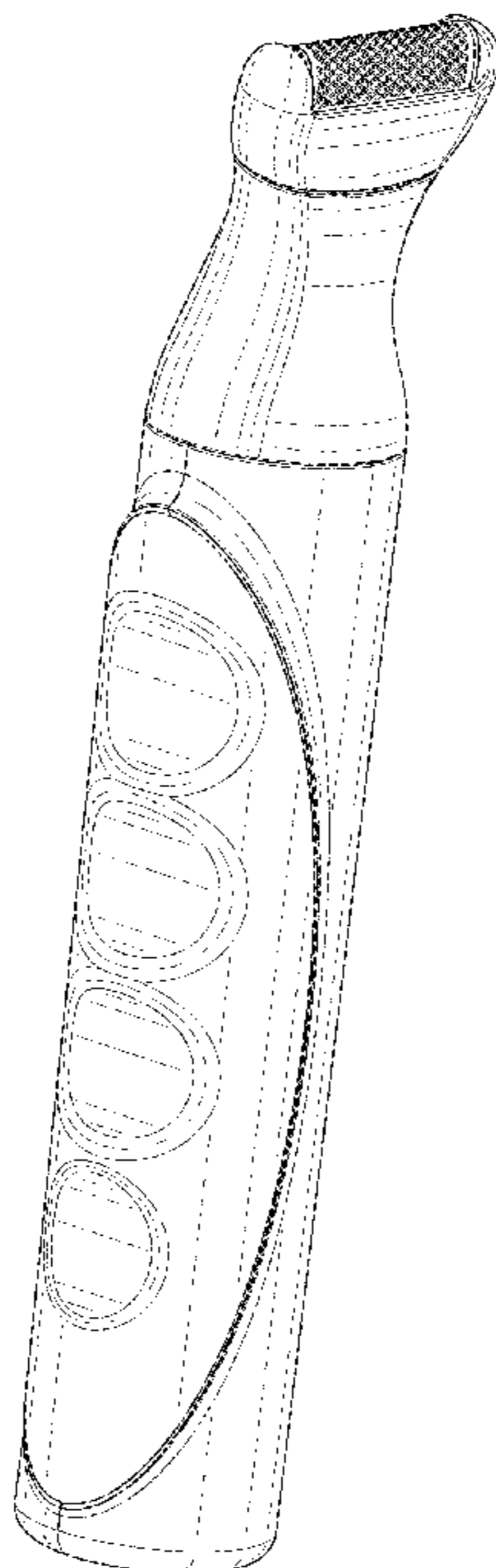
(57) **CLAIM**

The ornamental design for a hair trimmer appliance, as shown and described.

DESCRIPTION

FIG. 1 is a right side view of a hair trimmer appliance according to the present application;
FIG. 2 is a left side view thereof;
FIG. 3 is a front view thereof;
FIG. 4 is a rear view thereof;
FIG. 5 is a top view thereof;
FIG. 6 is a bottom view thereof;
FIG. 7 is a front, bottom perspective view thereof; and,
FIG. 8 is a front, top perspective view thereof.

1 Claim, 7 Drawing Sheets



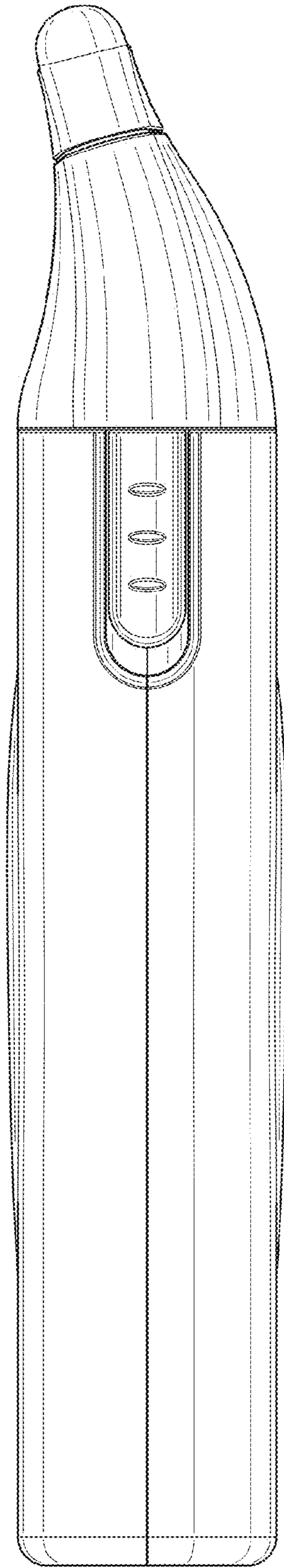


FIG. 1

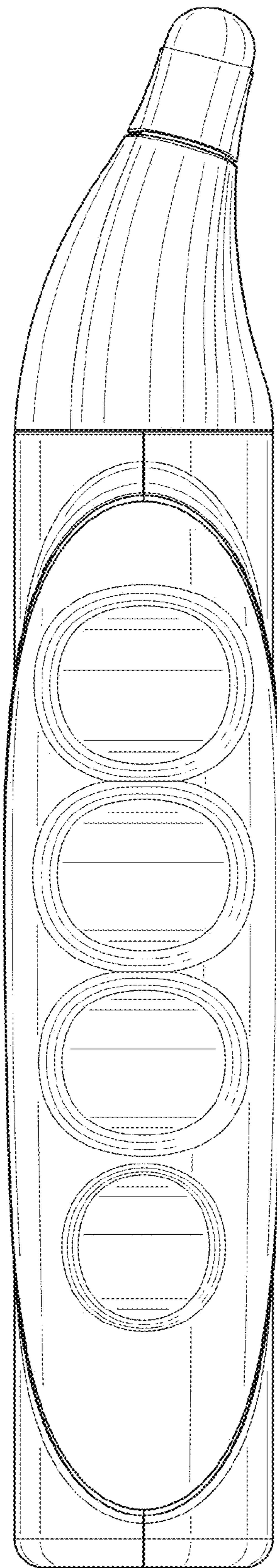


FIG. 2

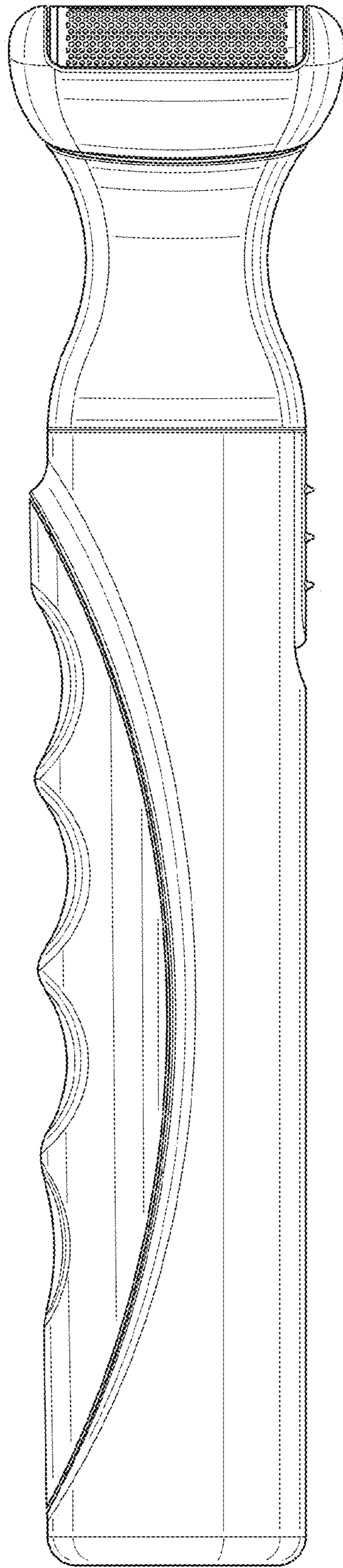


FIG. 3

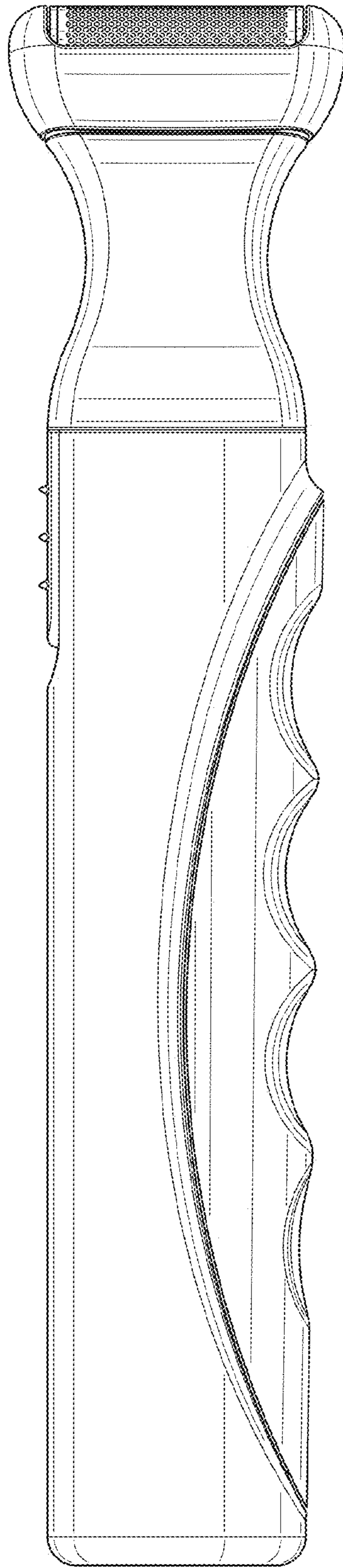


FIG. 4

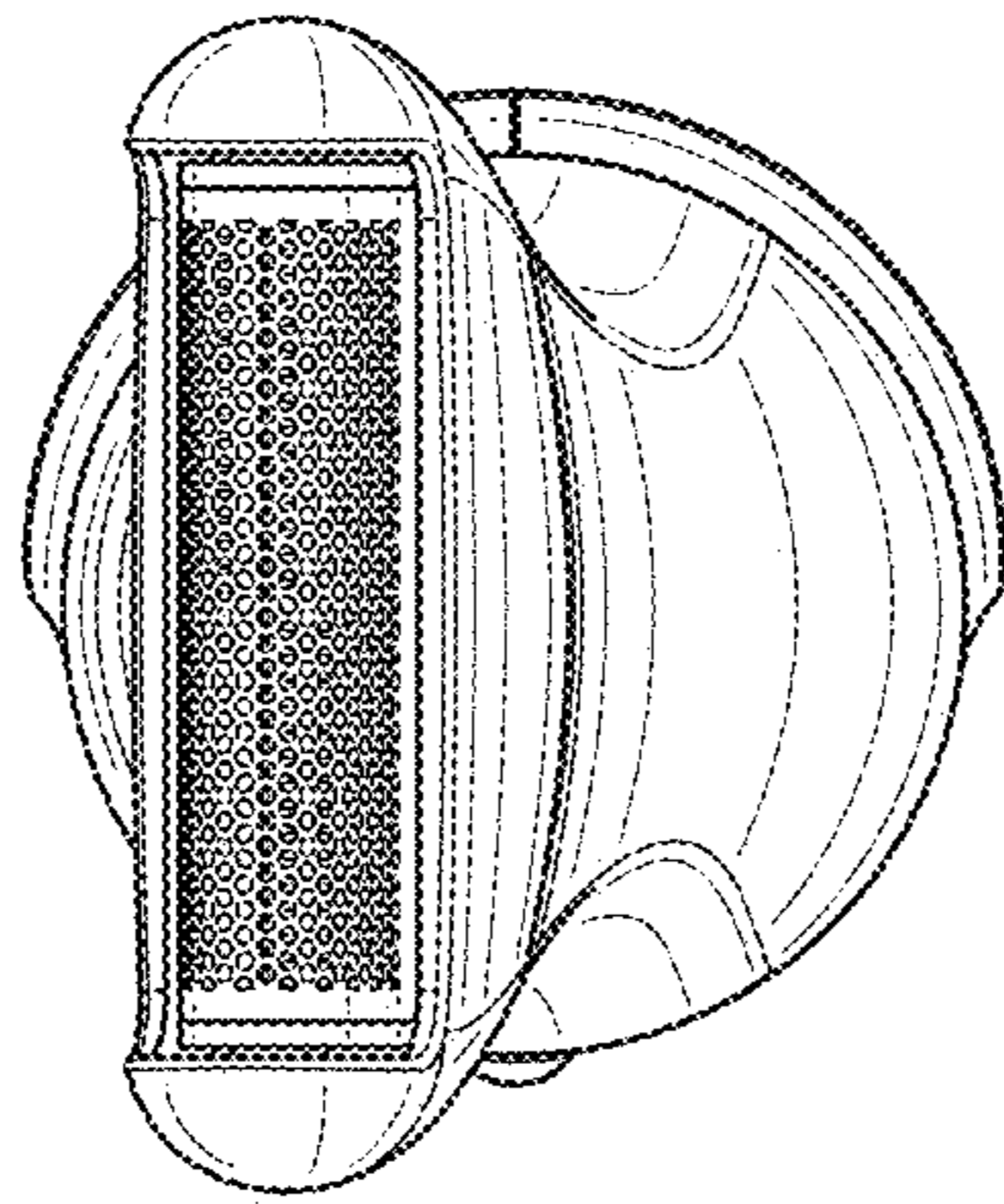


FIG. 5

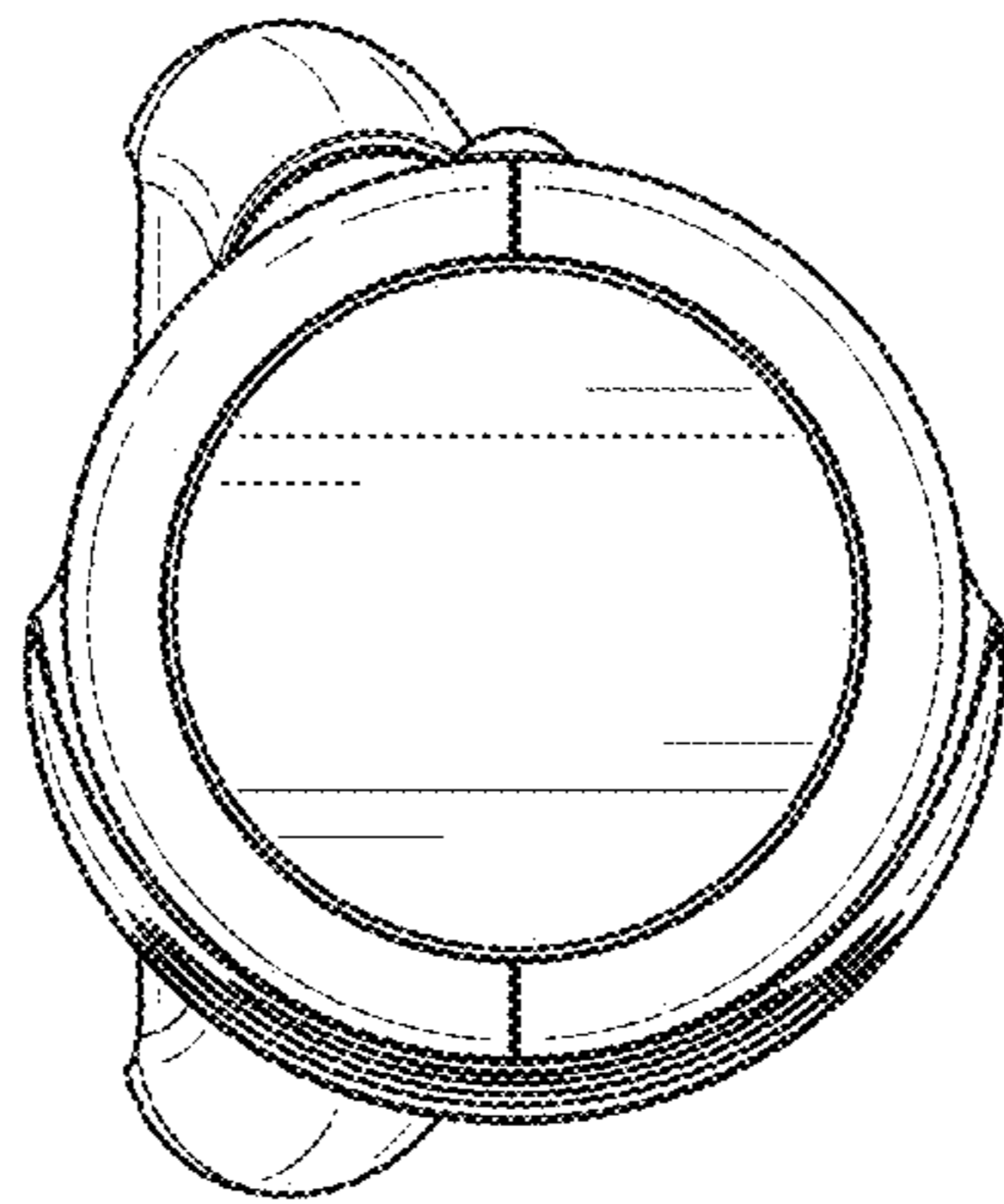


FIG. 6

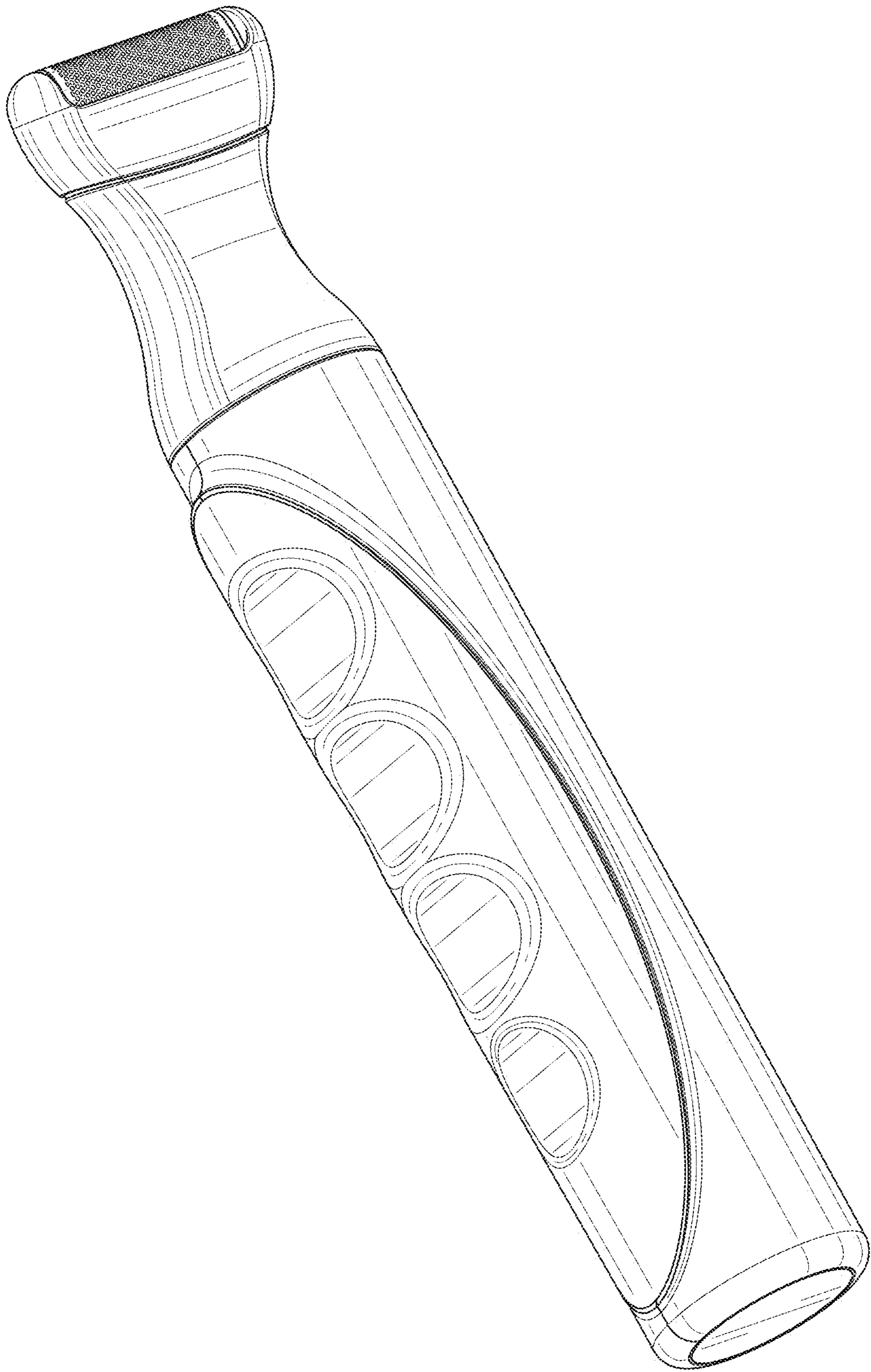


FIG. 7

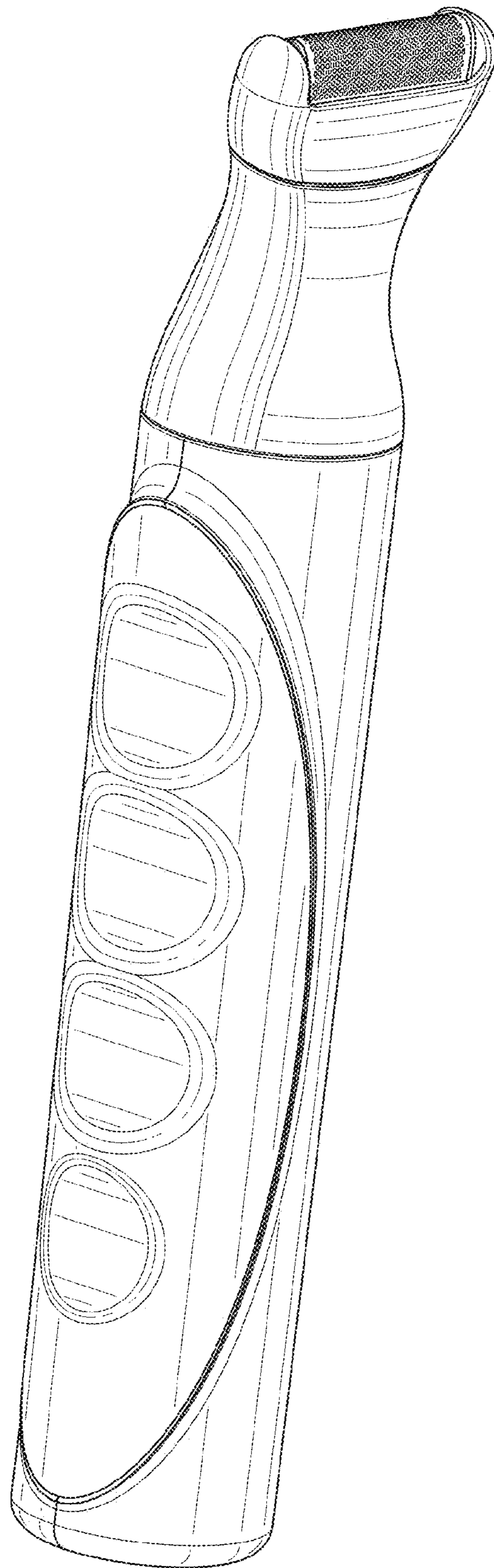


FIG. 8