



US0D1021179S

(12) **United States Design Patent**
Romano

(10) **Patent No.:** **US D1,021,179 S**

(45) **Date of Patent:** **** Apr. 2, 2024**

(54) **ADJUSTABLE LIGHTING FIXTURE**

D884,952 S 5/2020 Cao

D885,629 S 5/2020 Liu

D885,630 S 5/2020 Lin

(Continued)

(71) Applicant: **Ontel Products Corporation**, Fairfield, NJ (US)

(72) Inventor: **Matthew Romano**, Maplewood, NJ (US)

(73) Assignee: **Ontel Products Corporation**, Fairfield, NJ (US)

(**) Term: **15 Years**

(21) Appl. No.: **29/811,163**

(22) Filed: **Oct. 12, 2021**

(51) **LOC (14) Cl.** **26-05**

(52) **U.S. Cl.**
USPC **D26/65**

(58) **Field of Classification Search**
USPC D26/1, 2, 24, 26, 61, 63, 65, 72, 83
CPC .. F21S 8/026; F21S 8/04; F21V 21/14; F21Y 2105/00; F21Y 2105/18
See application file for complete search history.

(56) **References Cited**

U.S. PATENT DOCUMENTS

D578,695 S	10/2008	Zheng et al.
D578,696 S	10/2008	Wang
7,665,862 B2	2/2010	Villard
D613,443 S	4/2010	Chen
D617,888 S	6/2010	Roo et al.
8,047,682 B2	11/2011	Zheng et al.
D861,926 S	10/2019	Lin
D870,943 S	12/2019	Kuang
D879,334 S	3/2020	Lin
D879,335 S	3/2020	Lin
D879,349 S	3/2020	Li
D881,421 S	4/2020	Yin
D882,127 S	4/2020	Cao
D882,851 S	4/2020	Deng
D884,244 S	5/2020	Wang

OTHER PUBLICATIONS

Alarco Led Garage Light, Apr. 29, 2021, Amazon.com, site visited Aug. 10, 2023, url: <https://www.amazon.com/dp/B093TQ1Z87/> (Year: 2021).*

(Continued)

Primary Examiner — T Chase Nelson

Assistant Examiner — Rachel Wolfe

(74) *Attorney, Agent, or Firm* — Dickinson Wright PLLC

(57) **CLAIM**

I claim the ornamental design for an adjustable lighting fixture, as shown and described.

DESCRIPTION

FIG. 1 is a bottom perspective view of an adjustable lighting fixture;

FIG. 2 is a top perspective view of the adjustable lighting fixture of FIG. 1;

FIG. 3 is a top view of the adjustable lighting fixture of FIG. 1;

FIG. 4 is a bottom view of the adjustable lighting fixture of FIG. 1;

FIG. 5 is a first side view of the adjustable lighting fixture of FIG. 1;

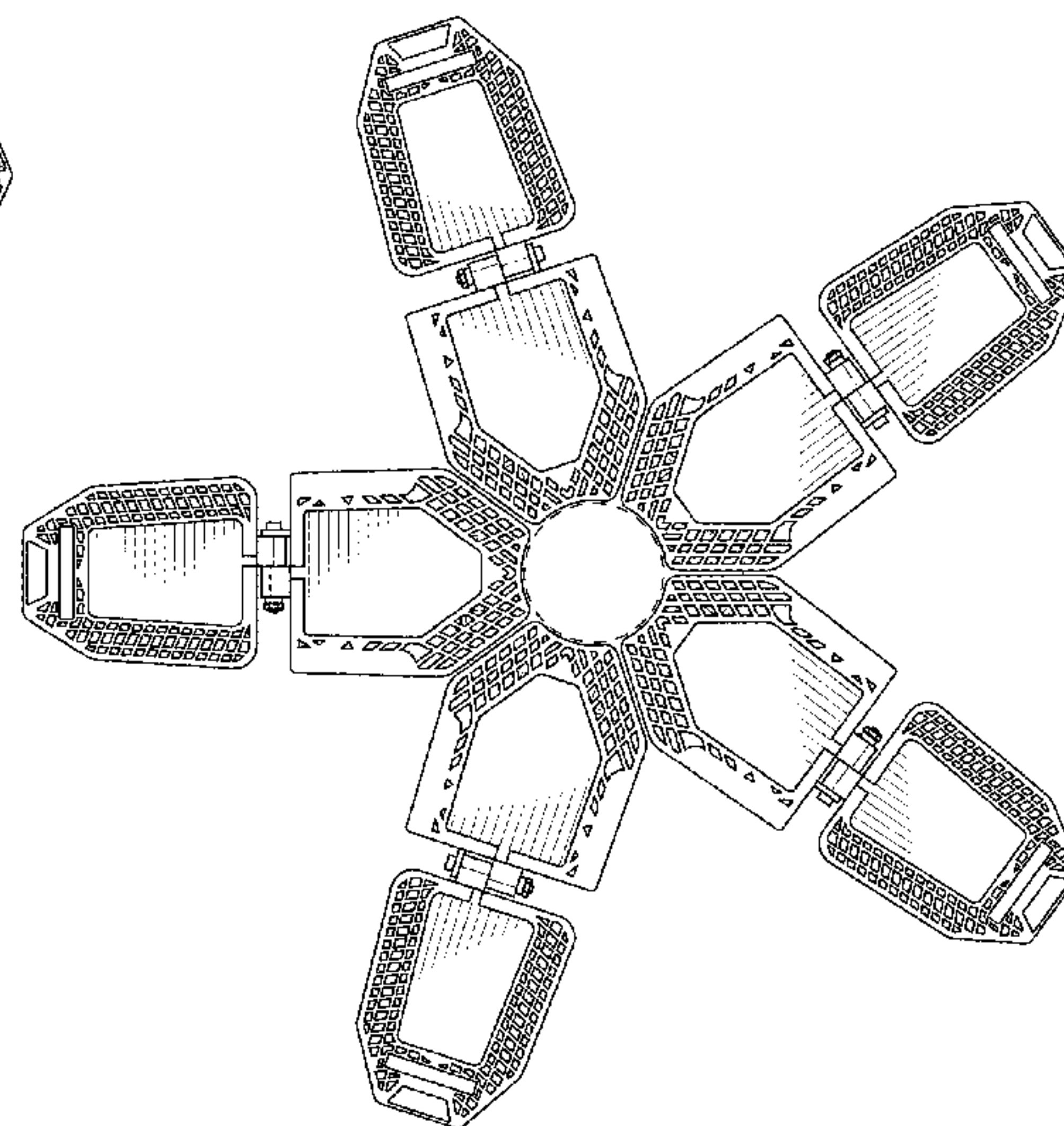
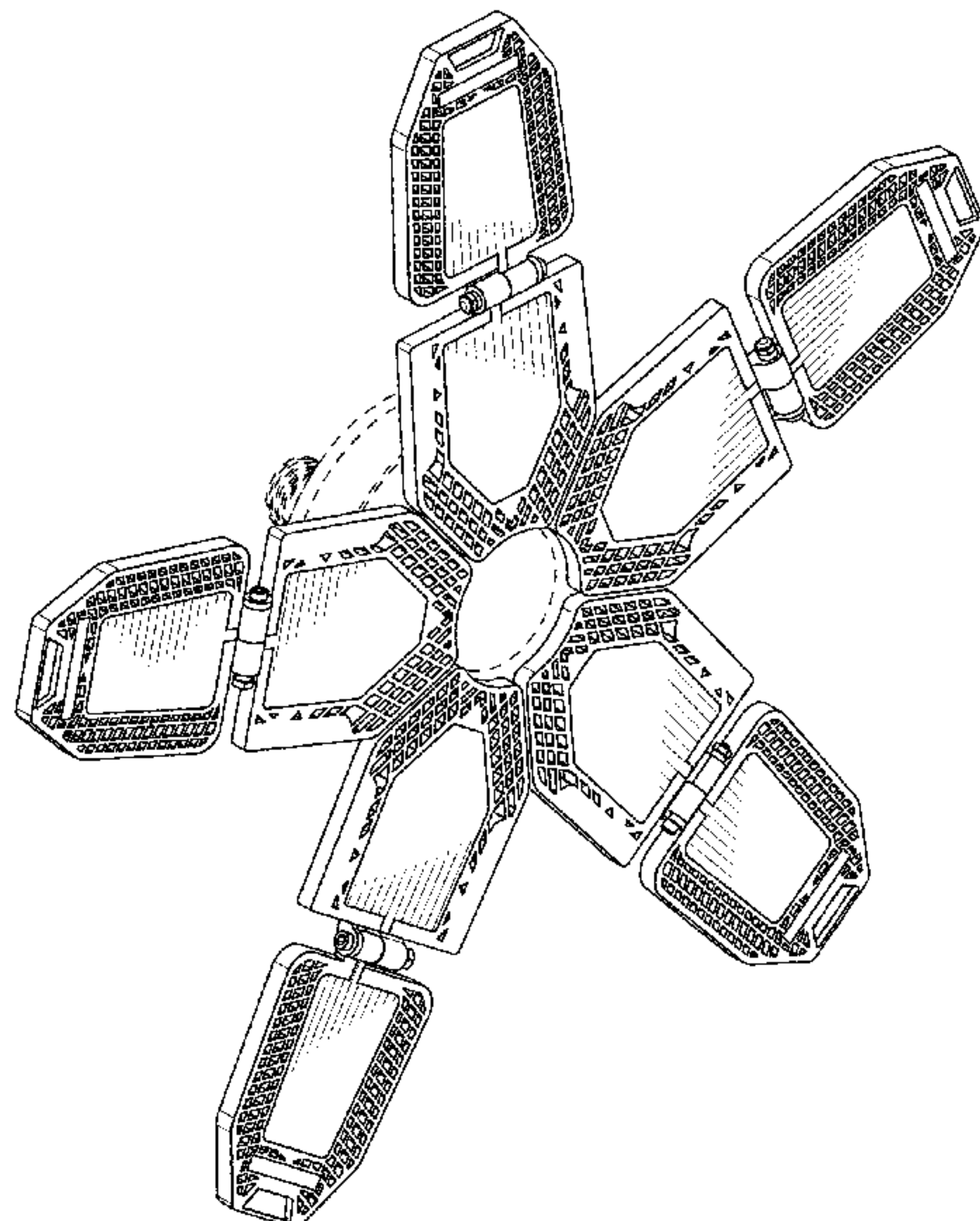
FIG. 6 is a second side view of the adjustable lighting fixture of FIG. 1;

FIG. 7 is a third side view of the adjustable lighting fixture of FIG. 1; and,

FIG. 8 is a fourth side view of the adjustable lighting fixture of FIG. 1.

The broken lines in the drawings illustrate portions of the adjustable lighting fixture that form no part of the claimed design.

1 Claim, 8 Drawing Sheets



(56)

References Cited

U.S. PATENT DOCUMENTS

D886,353 S	6/2020	Du	
D887,610 S	6/2020	Wei	
D907,829 S	1/2021	Rajasekaran	
D908,250 S	1/2021	Xu	
D909,648 S	2/2021	Xu	
D912,869 S	3/2021	Lin	
D916,347 S	4/2021	Liu	
D917,089 S	4/2021	Rajasekaran	
D919,154 S	5/2021	Zhou	
D923,228 S	6/2021	Ye et al.	
D925,086 S	7/2021	Ma	
D935,671 S	11/2021	Deng	
D935,672 S	11/2021	Deng	
D938,626 S	* 12/2021	Chen	D26/2
D942,053 S	1/2022	Tian	
D944,433 S	2/2022	Chen	
D946,189 S	3/2022	Zhou	
D946,190 S	* 3/2022	Zhou	D26/63
D952,222 S	5/2022	Shen	
D956,305 S	6/2022	Mo	
D962,533 S	8/2022	Saboo	
D964,622 S	* 9/2022	Wu	D26/63
D972,759 S	* 12/2022	Barlettano	D26/63

OTHER PUBLICATIONS

Amiluo LED Garage Light, Feb. 4, 2021, Amazon.com, site visited Aug. 10, 2023, url: <https://www.amazon.com/dp/B08SHJ1H8S/?th=1> (Year: 2021).*

Website for XAMT Ceiling Lights 60W Bright Garage Light 7200LM 6500K Deformable Three Panels for Indoor Use in Garage Shop Studio Cellar etc., https://www.amazon.com/XAMT-Ceiling-Lights-Bright-Deformable/dp/B085479SBS/ref=sr_1_6?crd=17V3VXOW22WI6&keywords=xamt+ceiling+lights&qid=1665599466&qu=eyJxc2MiOilxLjc3liwicXNhljoiMC4wMCIsInFzcCl6IjAuMDAifQ%3D%3D&sprefix=xamt+ceiling+light%2Caps%2C291&sr=8-6, retrieved on Oct. 12, 2022, pp. 1-7.

Welvan Garage Light, <https://protect-us.mimecast.com/s/kP3kCERWVXForMgNIwRRKL?domain=amazon.com>, retrieved Oct. 7, 2021, pp. 1-11.

TRiLIGHT—Motion Activated Garage Ceiling Light; <https://stkrconcepts.com/products/trilight-motion-activated-garage-light>, retrieved May 18, 2021.

Striker Concepts 00342 3000 Lm Motion-Activated Ceiling Light; “TRiLIGHT—Screw-in Motion Activated Ceiling Light for Garage/Attic/Basement/Home”; https://www.amazon.com/Striker-Concepts-00342-Motion-Activated-Ceiling/dp/B01LX4ZTYI/ref=pd_sbs_60_1?encoding=UTF8&pd_rd_i=B01LX4ZTYI&pd_rd_r=0d4c5bb7-7400-11e8-83f9-01153357ec84&pd_rd_w=NpFlk&pd_rd_wg=Fa0iW&pf_rd_i=desktop-dp-

LED Deformable Garage Light, Motion-Activated Ceiling Light 6000LM; “Motion Activated Deformable LED Garage Lights—Led Deformable Garage Light Tanbaby Garage Light Motion Sensor Garage Light, Radar Home Lighting for Garage, Warehouse, Workshop, Basement (Radar)”; <https://www.amazon.com/Deformable-Motion-Activated-Intensity-Lighting-Warehouse>; retrieved May 18, 2021.

LED Garage Light and LED Ceiling Light, Indoor Deformable Light 6000LM; “Garage Light Tanbaby LED Garage Light E26/E27 Garage Lights Ceiling LED Shop Light 60W Deformable Garage Lights LED Garage Lighting Garage Light Bulb, Garage Lights Ceiling LED for Garage, Barn, Shop”; <https://www.amazon.com/Ceiling-Deformable-Intensity-Lighting-ordinary>; retrieved May 18, 2021.

Create Bright 60W Motion Activated Ceiling Light for Garage; “Create Bright 60W Motion Activated Ceiling Light for Garage, Warehouse, Workshop, Basement and Others, High Power LED Light Bulb E26 Medium Base 6000 Lumen, 6000K Daylight”; <https://www.amazon.com/CREATE-BRIGHT-Activated-Warehouse-Workshop>; retrieved May 18, 2021.

Satco S9750 30W LED HID Replacement 5000 K Medium Base Adjustable Beam Angle 100-277V; “Satco S9750 30W LED HID Replacement 5000 K Medium Base Adjustable Beam Angle 100-277V Light Bulb”; <https://www.amazon.com/Satco-S9750-Replacement-Adjustable-100-277V>; retrieved May 18, 2021.

Kaipu Garage Light 6000 Lumens Ceiling Light Durable Work Light E26 Indoor Light; “Illuminator 360 Led Garage Light 60W Garage Light 6000LM Tribright Screw in Light Bulb 3 Panels Ceiling Light Fixture Deformable LED Shop Light Bulb Led Light for Garage Basement Workshop Attic Barn”; <https://www.amazon.com/Kaipu-Ceiling-Durable-Deform-able-Basement>; retrieved May 18, 2021.

E26/E27 Garage Light 60W 6000 Lumen Motion Activated Ceiling Light for Garage/Attic; “LED Garage Lights, 60W Adjustable Trilights Garage Ceiling Light, High Bay Deformable LED Corn Light Bulbs with 6000LM 6000K for Basement Cellar(No Motion Detection)”; retrieved May 18, 2021.

Kaipu Garage Light With Radar Sensor, Garage Door Sensor Light, Motion Sensor; “Led Garage Lights Motion Activated Led Shop Light with Adjustable Panels for Garage Workshop Basement”; <https://www.amazon.com/Kaipu-Deformable-Activated-Ceiling-Basement>; retrieved May 18, 2021.

“Deformable LED Garage Light, E26 6000LM 60W Garage Ceiling Lights, Cotanic LED Shop Light, 6000K Daylight, 3 Adjustable Panels, Ultra-Bright Led Light for Garage, Warehouse, Barn(No Motion Activated)”; Cotanic; <https://www.amazon.com/Deformable-Cotanic-Adjustable-Ultra-Bright-Warehouse/dp/B082ZYJCJP>; retrieved May 18, 2021.

* cited by examiner

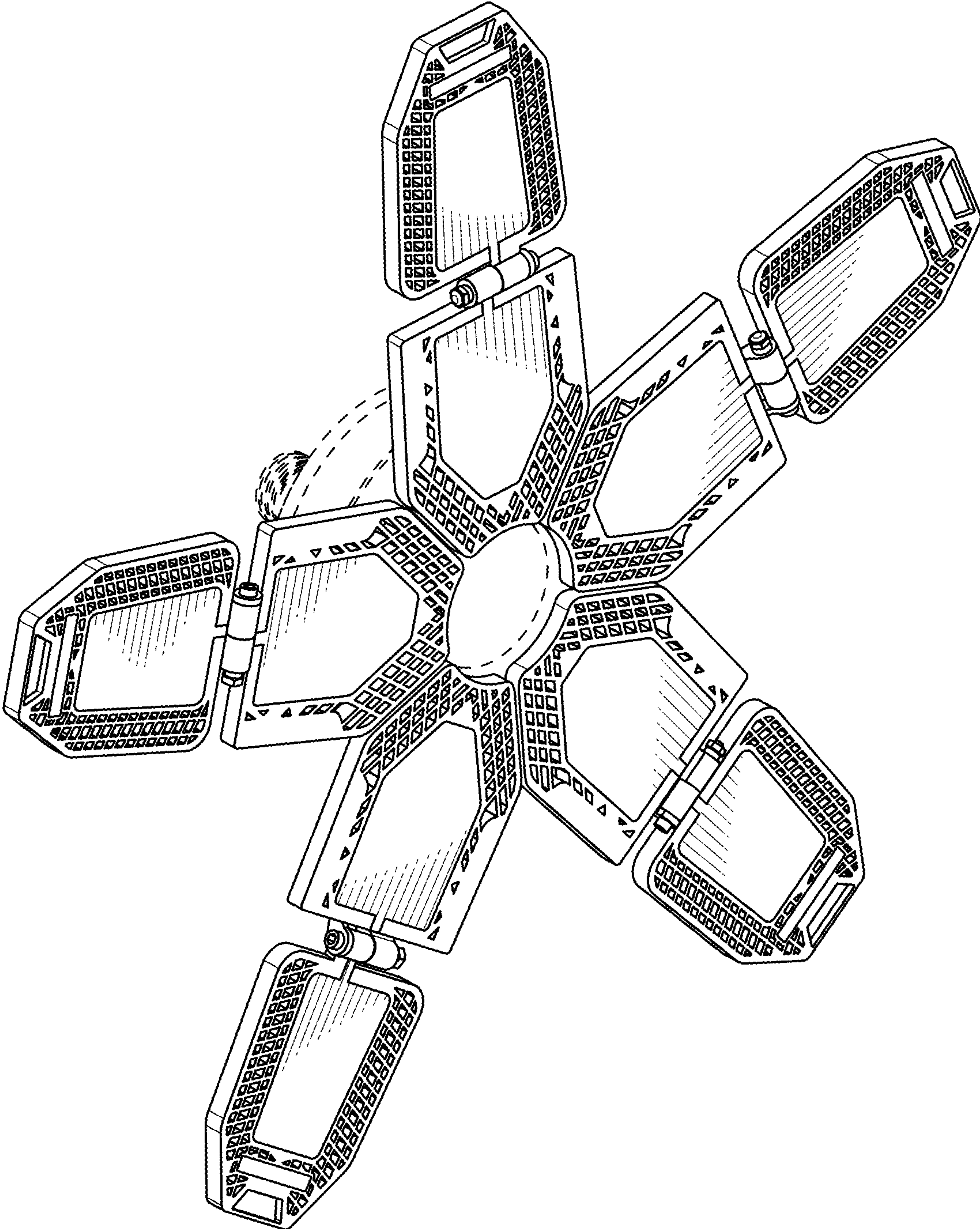


FIG. 1

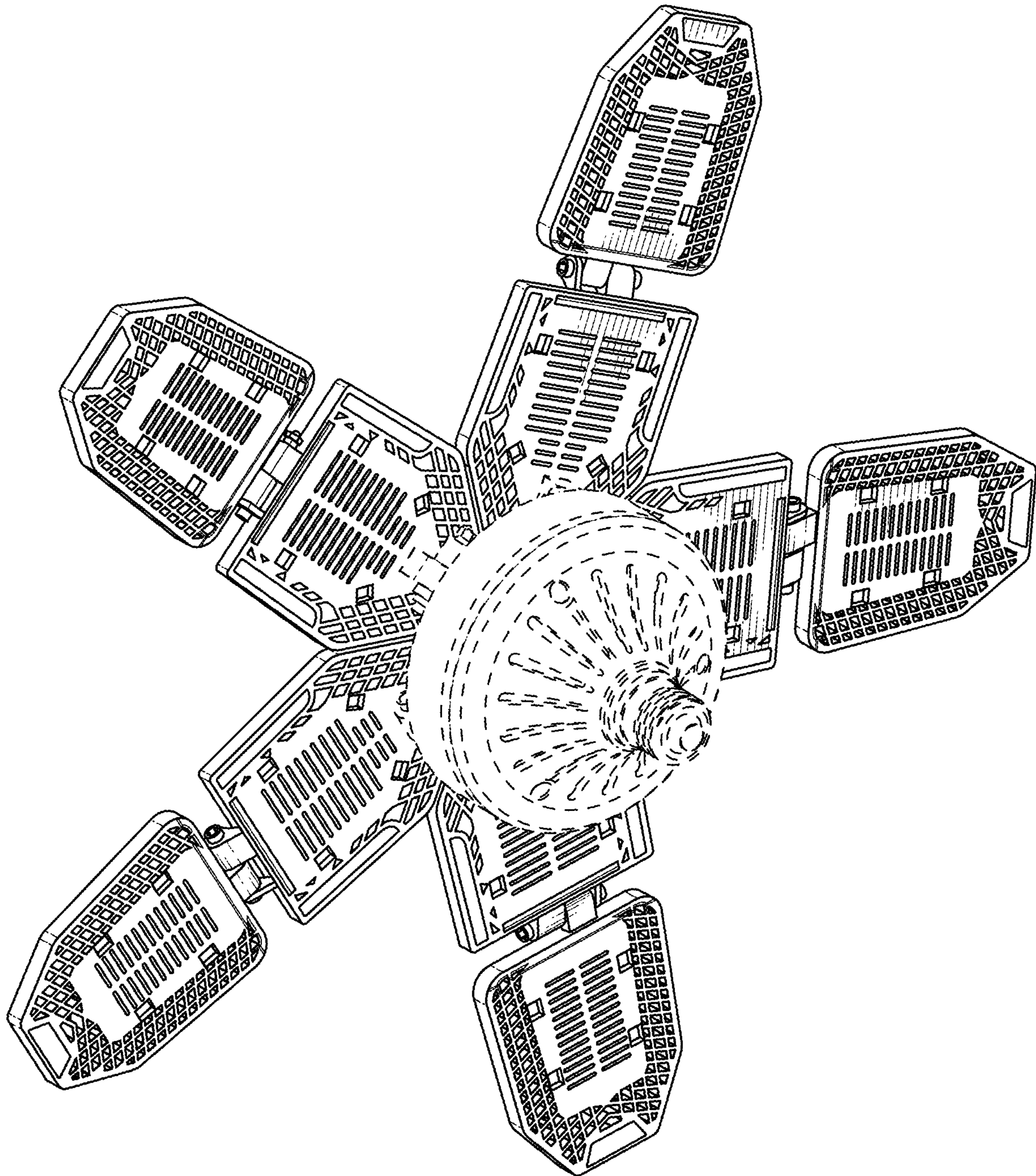


FIG. 2

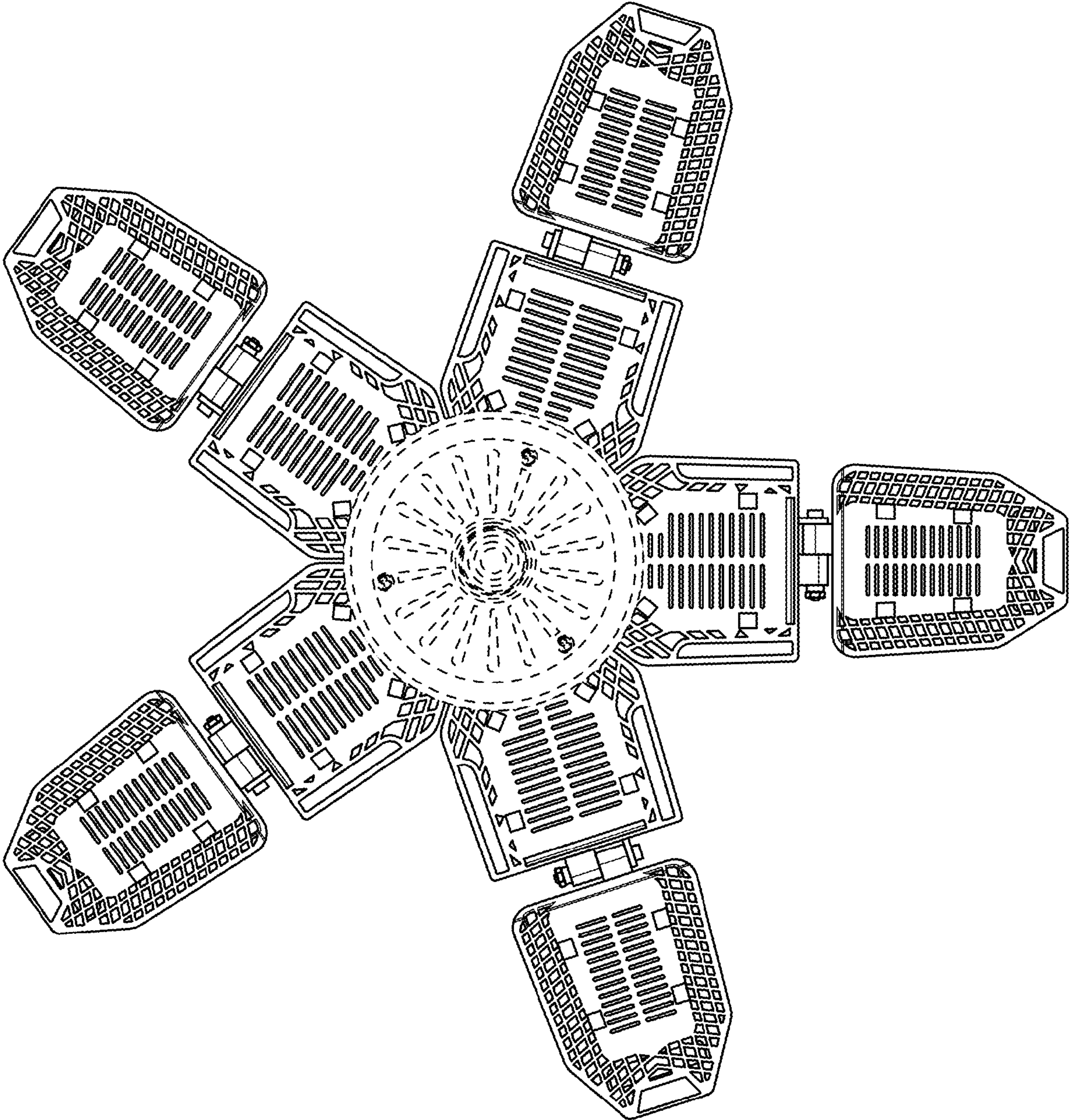


FIG. 3

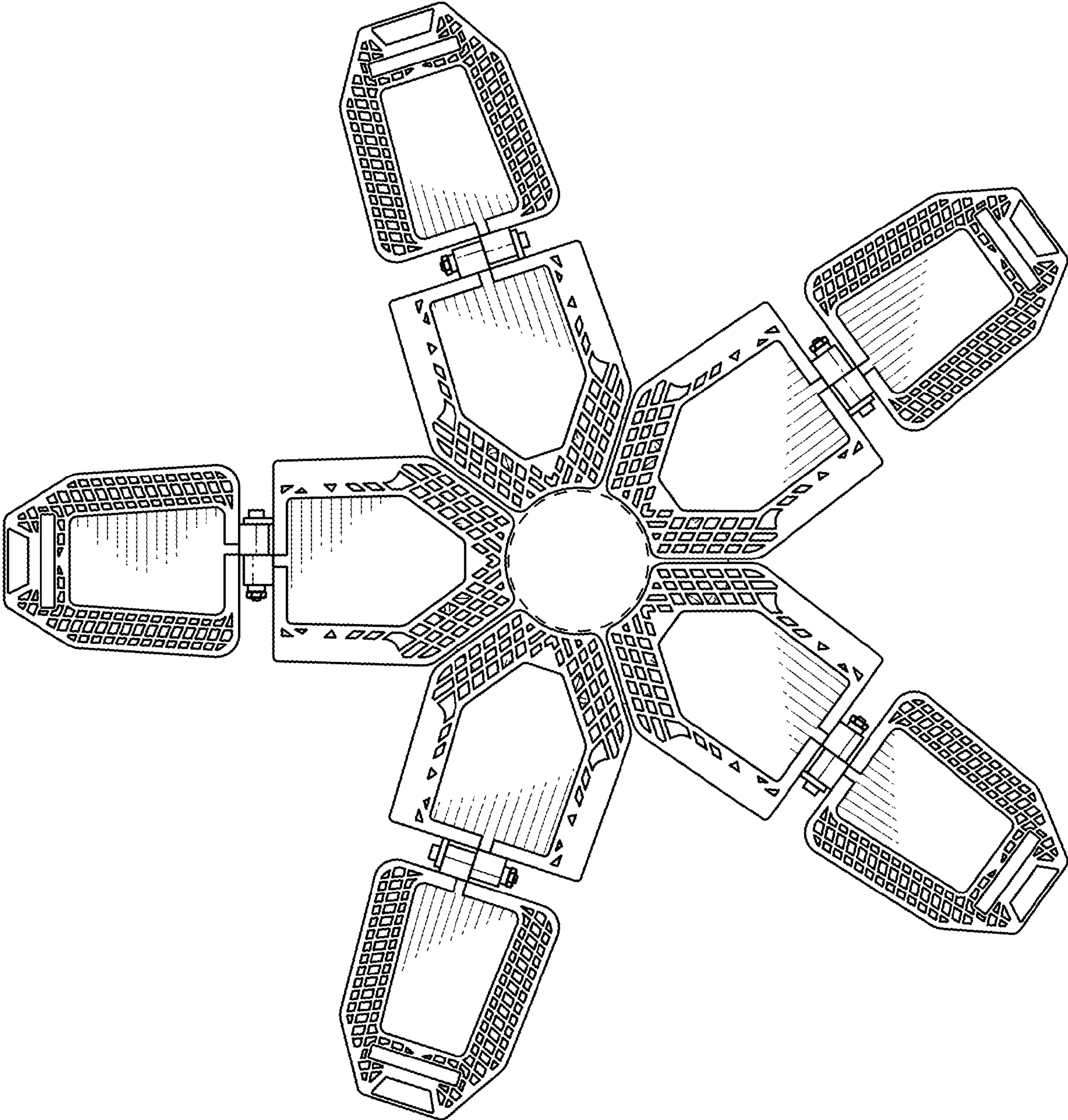


FIG. 4

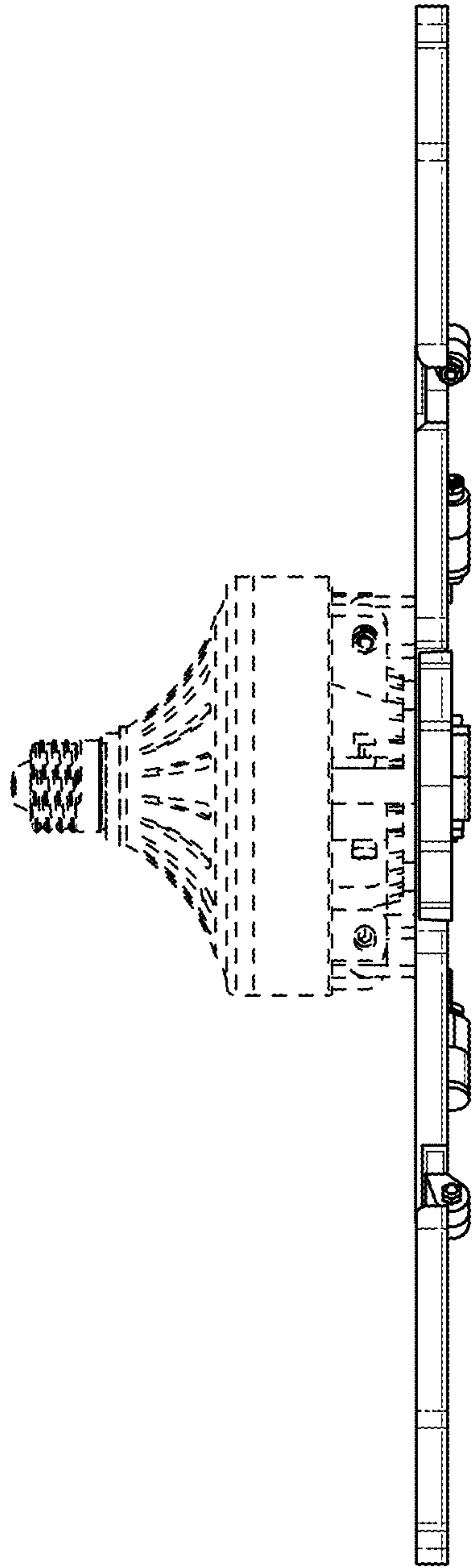


FIG. 5

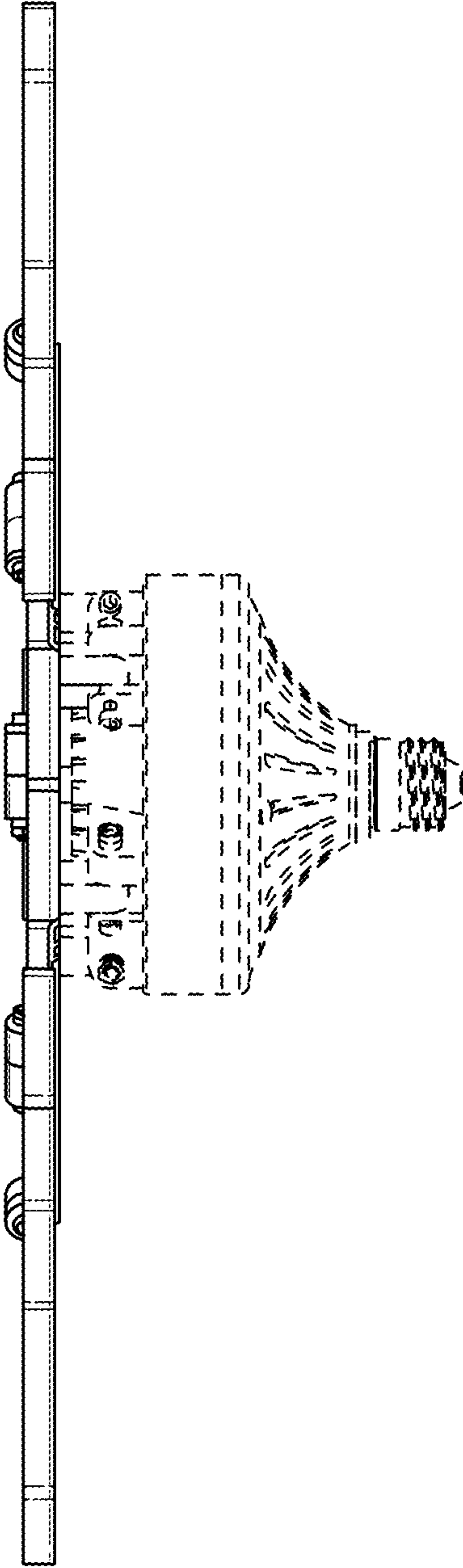


FIG. 6

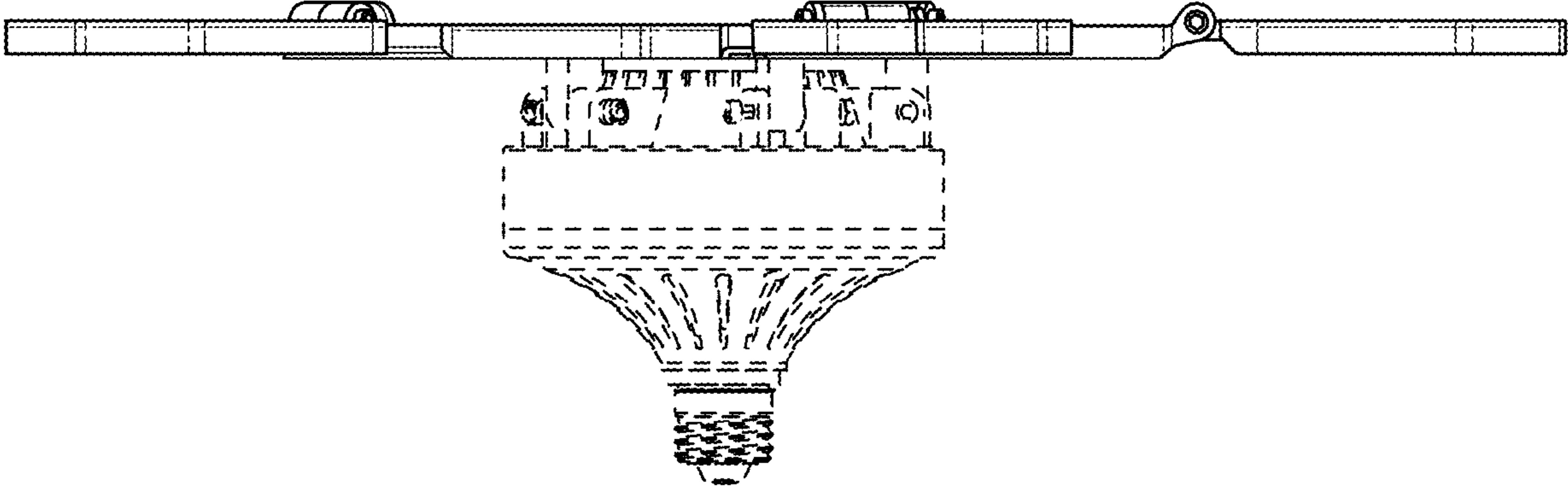


FIG. 7

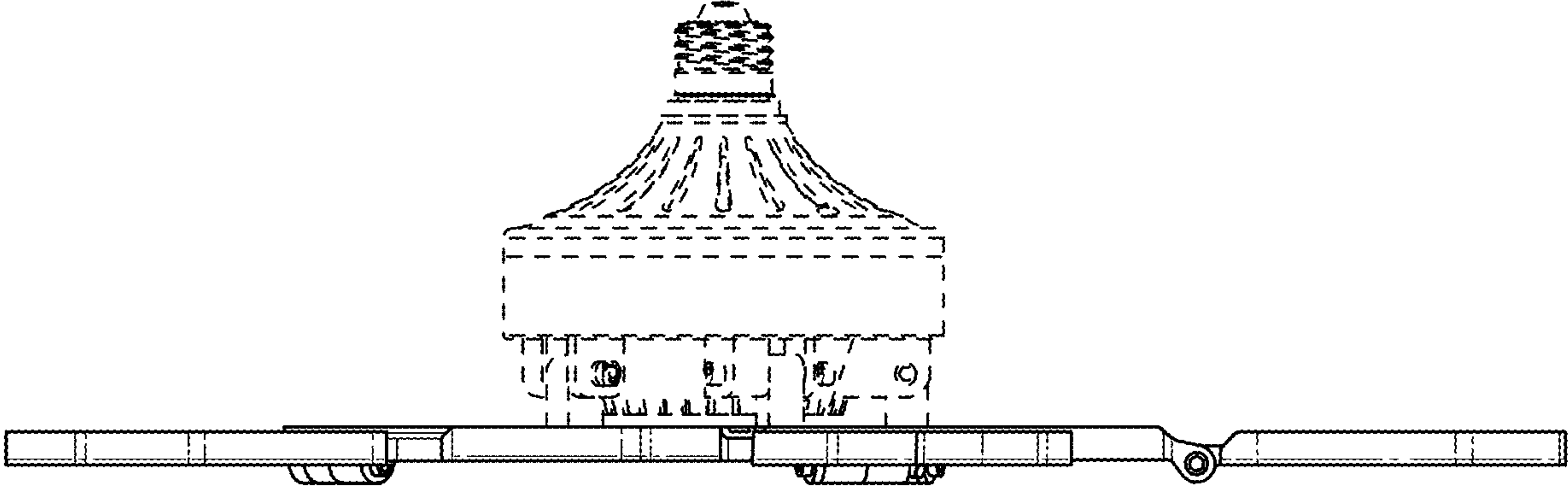


FIG. 8