



US0D1021128S

(12) **United States Design Patent** (10) **Patent No.:** **US D1,021,128 S**
Wen (45) **Date of Patent:** **** Apr. 2, 2024**

(54) **NECK MASSAGER**
(71) Applicant: **Changqi Wen**, Guangdong (CN)
(72) Inventor: **Changqi Wen**, Guangdong (CN)
(**) Term: **15 Years**

D853,577 S * 7/2019 Li D24/215
D887,019 S * 6/2020 Wang D24/215
D888,263 S * 6/2020 Du
D921,912 S * 6/2021 Grbic D24/211
D950,090 S * 4/2022 Qiu D24/215
D966,544 S * 10/2022 Li D24/215

(21) Appl. No.: **29/911,307**
(22) Filed: **Aug. 31, 2023**
(51) **LOC (14) Cl.** **24-01**
(52) **U.S. Cl.**
USPC **D24/215**
(58) **Field of Classification Search**
USPC D24/191, 200, 211, 212, 213, 214, 215
CPC A61H 2205/04; A61H 2201/1609; A61H
2201/0157; A61H 2201/1614; A61H
2205/062
See application file for complete search history.

OTHER PUBLICATIONS

Amazon, "KNQZE Neck Massager with Heat", Date First Available: May 17, 2023. https://www.amazon.com/KNQZE-Massager-Cordless-Kneading-Shoulder/dp/B0C5J3NHB3/ref=cm_cr_arp_d_product_top?ie=UTF8 (Year: 2023).*

* cited by examiner

Primary Examiner — Michael A Maharajh

(57) **CLAIM**

The ornamental design for a neck massager, as shown and described.

DESCRIPTION

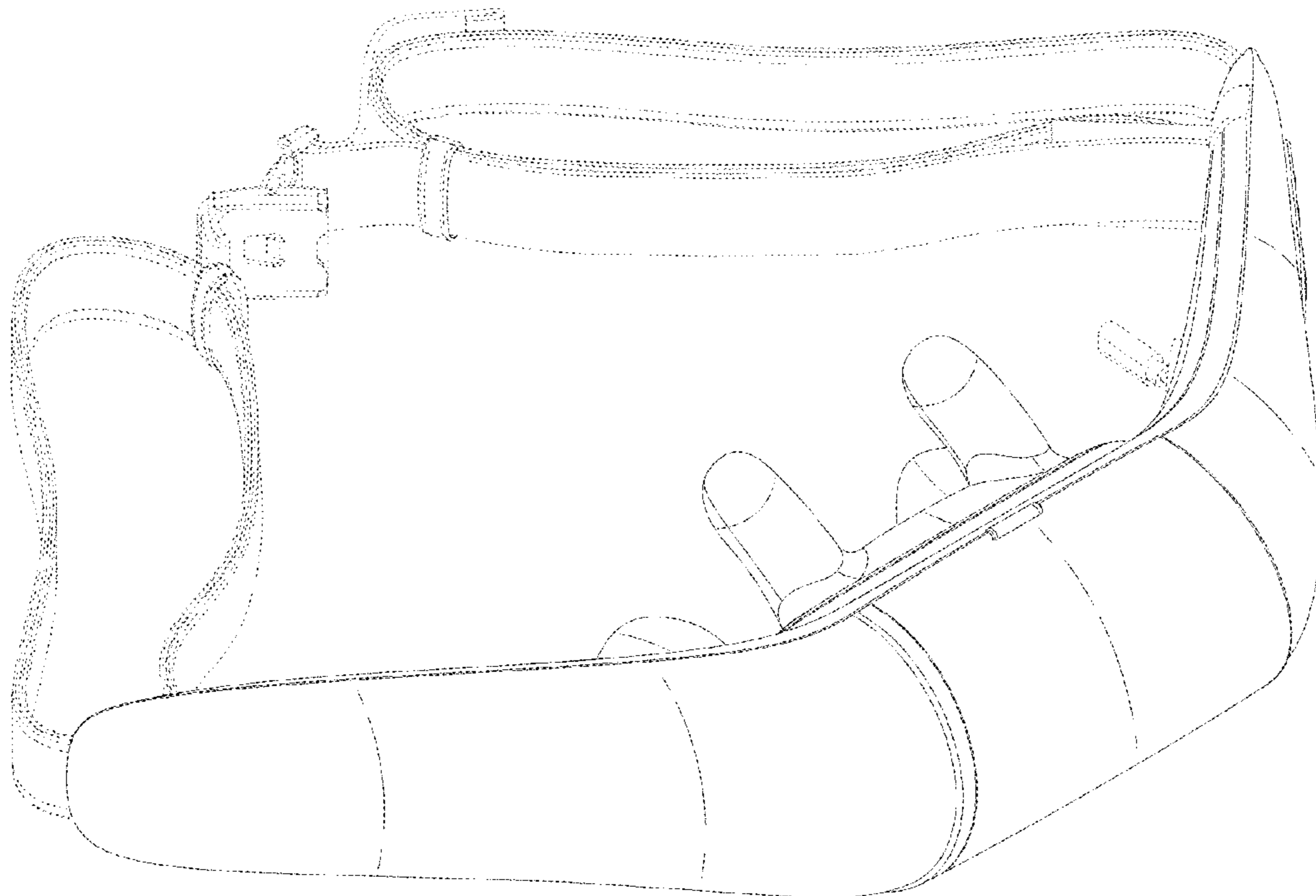
FIG. 1 is a top, front, left side perspective view of a neck massager showing my new design;
FIG. 2 is a front elevational view thereof;
FIG. 3 is a rear elevational view thereof;
FIG. 4 is a left side elevational view thereof;
FIG. 5 is a right side elevational view thereof;
FIG. 6 is a top plan view thereof;
FIG. 7 is a bottom plan view thereof; and,
FIG. 8 is a bottom, rear, right side perspective view thereof.
The broken lines in the drawings are for the purpose of illustrating portions of the neck massager, which form no part of the claimed design.

(56) **References Cited**

U.S. PATENT DOCUMENTS

D337,826 S * 7/1993 Iverson D24/206
D389,584 S * 1/1998 Leventhal D24/215
D609,818 S * 2/2010 Tsang D24/215
D625,427 S * 10/2010 Lee D24/214
D649,655 S * 11/2011 Petersen D24/215
D674,501 S * 1/2013 Petersen D24/215
D693,016 S * 11/2013 Ma D24/215
D769,453 S 10/2016 Ma
D816,858 S * 5/2018 Gan D24/215
D817,508 S * 5/2018 Gan D24/215
D818,596 S * 5/2018 Zheng D24/200
D847,361 S * 4/2019 Lee D24/215
D851,272 S * 6/2019 Huang D24/215
D852,974 S * 7/2019 Lee D24/215

1 Claim, 8 Drawing Sheets



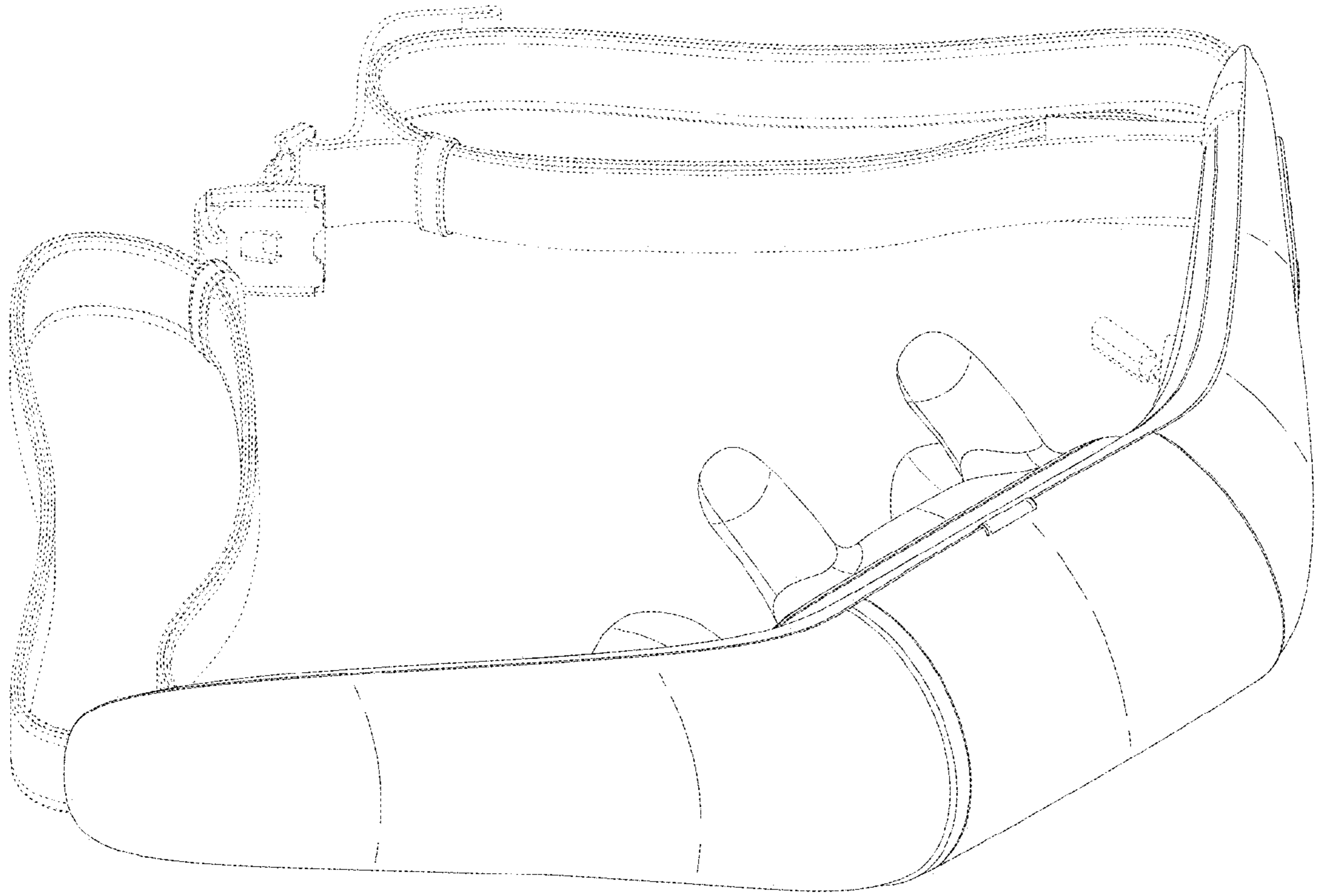


FIG.1

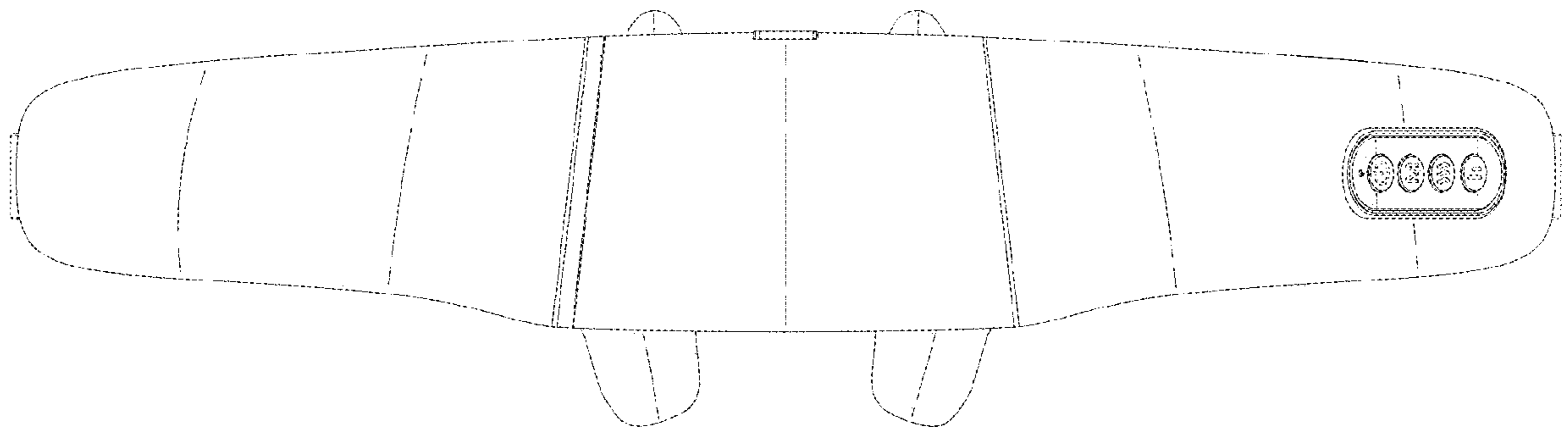


FIG.2

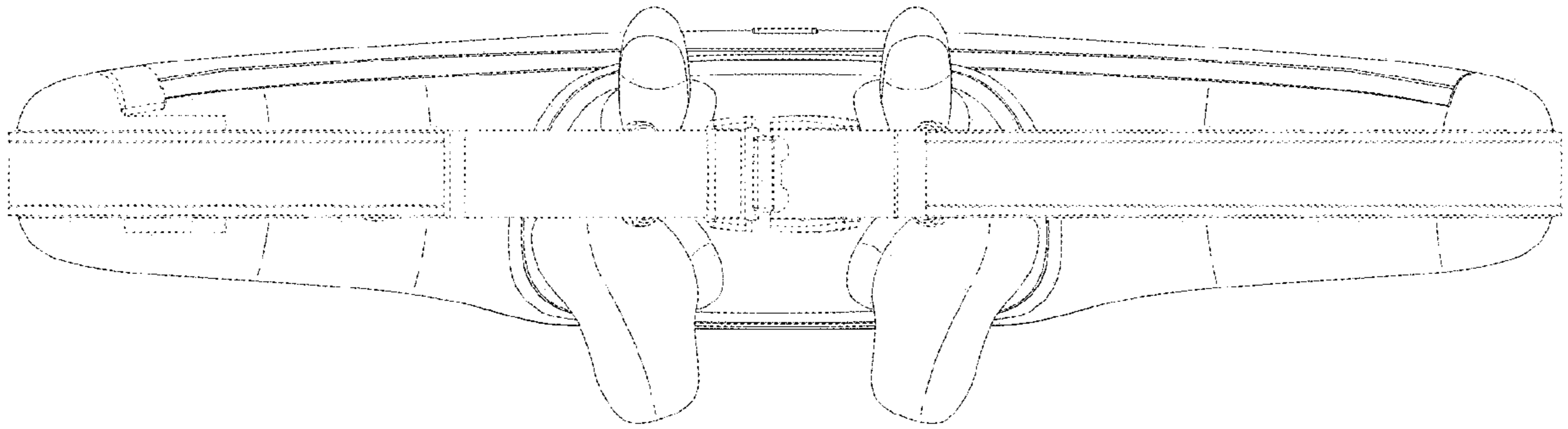


FIG.3

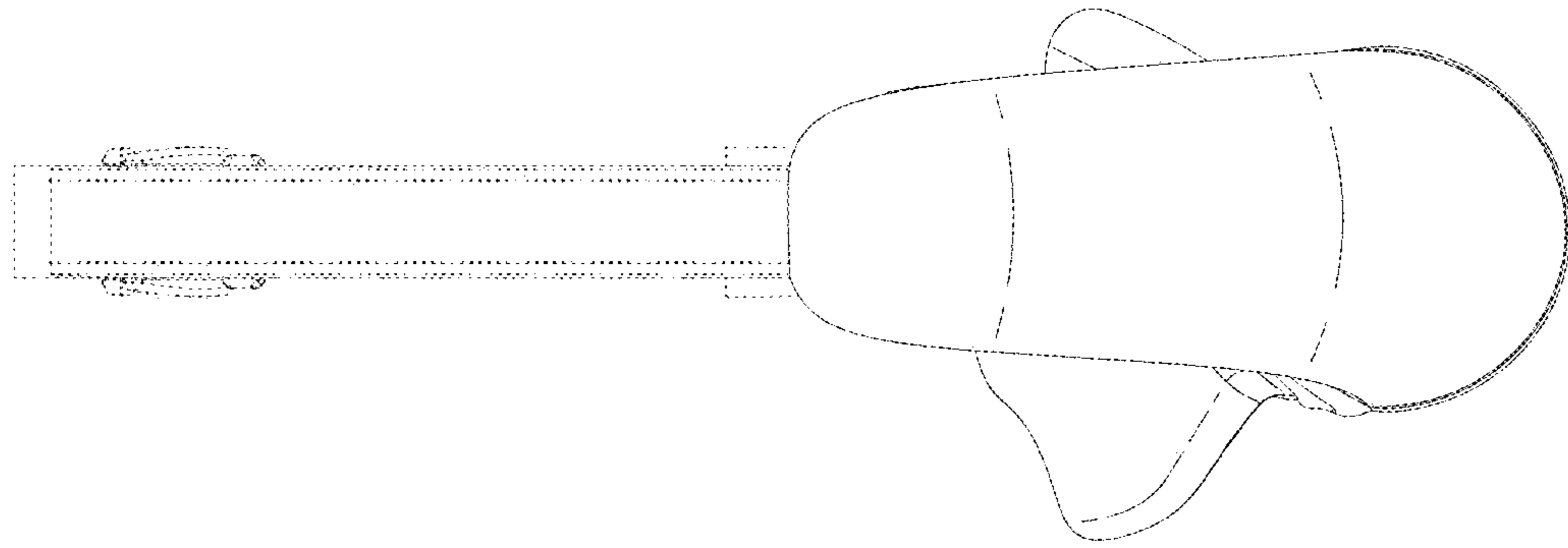


FIG.4

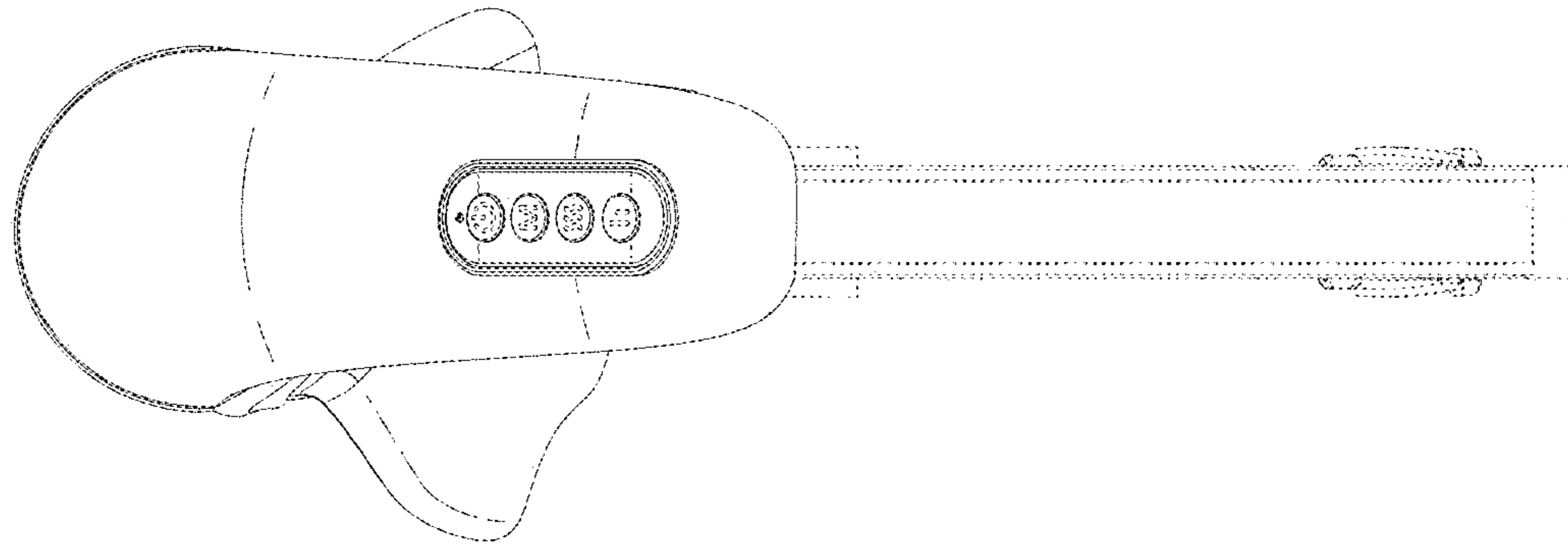


FIG.5

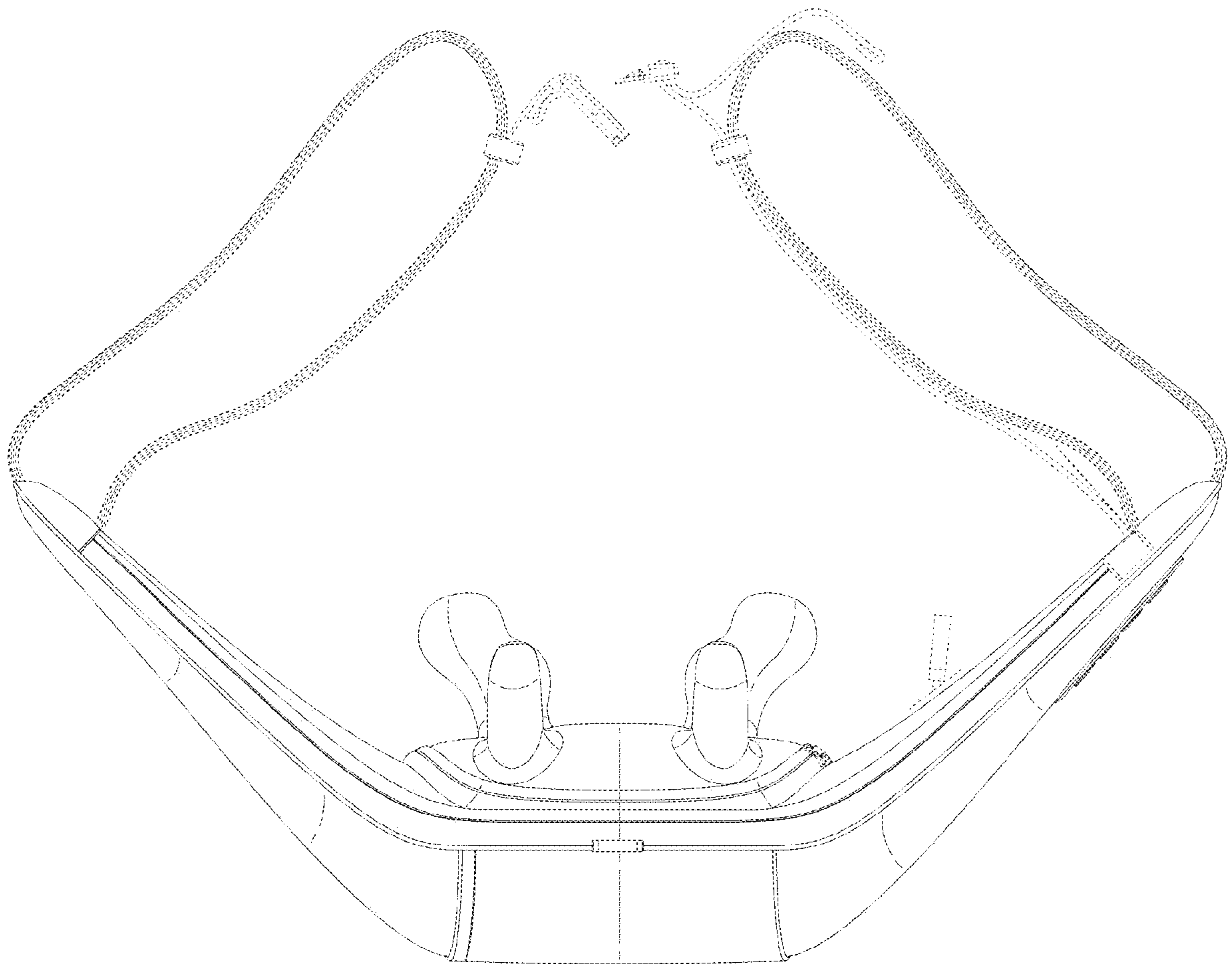


FIG.6

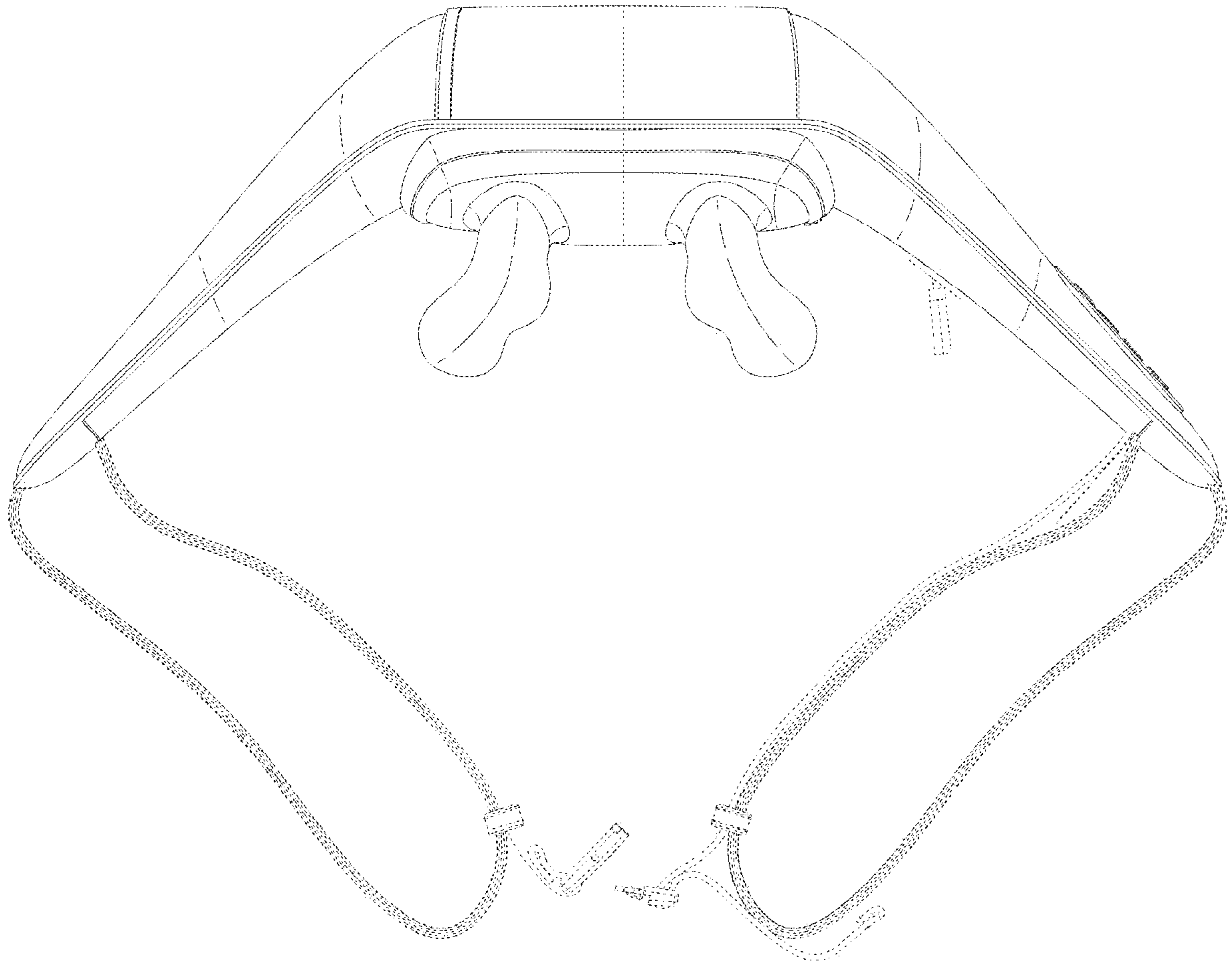


FIG.7

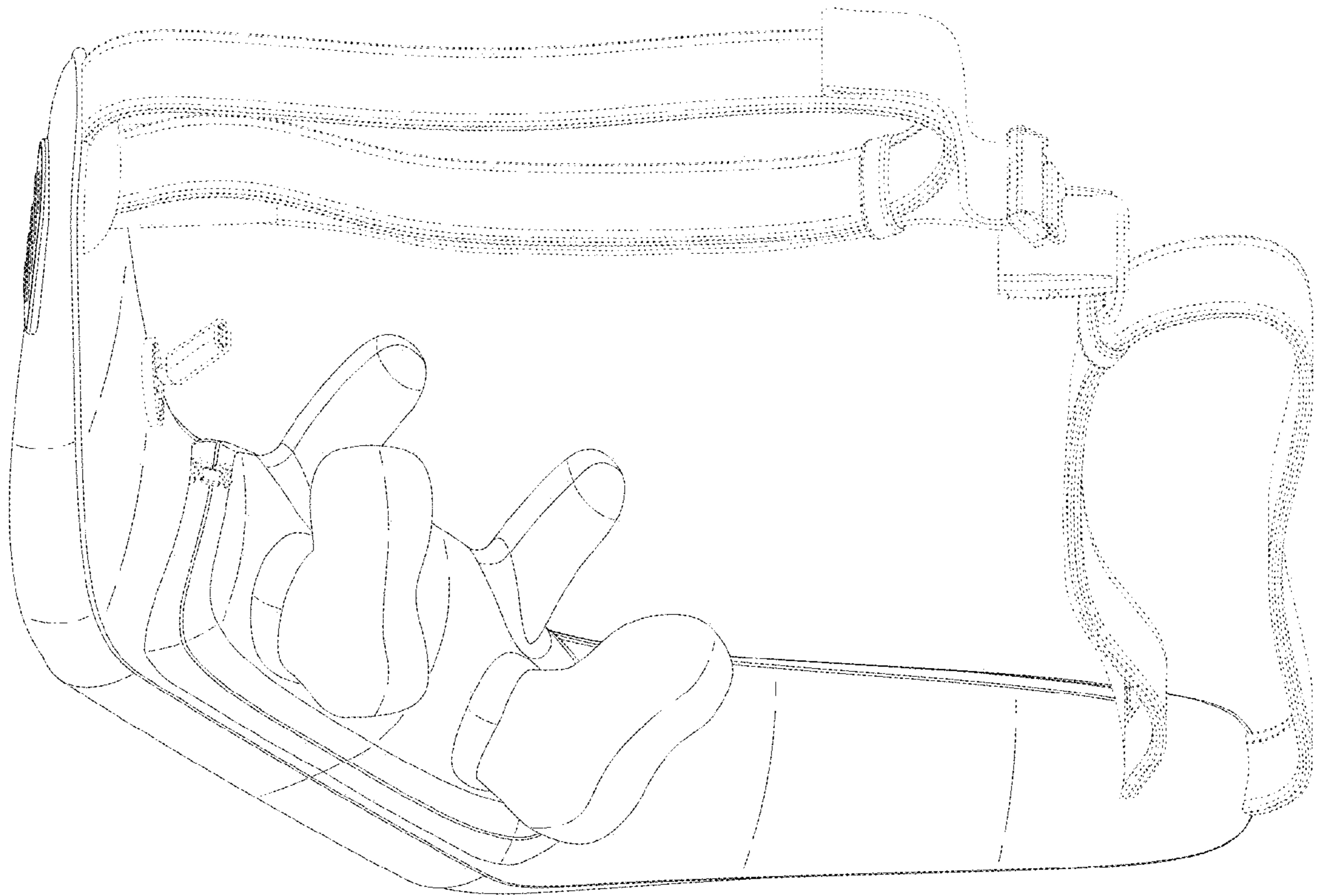


FIG.8