



US0D1021060S

(12) **United States Design Patent**  
**Bredahl**

(10) **Patent No.: US D1,021,060 S**

(45) **Date of Patent: \*\* Apr. 2, 2024**

(54) **VENTILATION ADAPTOR**

(71) Applicant: **Red Viking Group, Inc.**, Charlotte, NC  
(US)

(72) Inventor: **Thomas Bredahl**, Charlotte, NC (US)

(73) Assignee: **Red Viking Group, Inc.**, Charlotte, NC  
(US)

(\*\*) Term: **15 Years**

(21) Appl. No.: **29/781,405**

(22) Filed: **Apr. 29, 2021**

(51) **LOC (14) Cl.** ..... **23-03**

(52) **U.S. Cl.**  
USPC ..... **D23/393**

(58) **Field of Classification Search**  
USPC ..... D23/386-393, 399  
CPC .. F24F 2007/001; F24F 2007/005; F24F 7/02;  
F24F 7/00; F24F 2007/0025  
See application file for complete search history.

(56) **References Cited**

**U.S. PATENT DOCUMENTS**

D257,060 S \* 9/1980 Mann ..... D23/393  
D268,282 S \* 3/1983 Wichmann ..... D23/393  
D495,048 S \* 8/2004 Snyder ..... D23/393

D503,791 S \* 4/2005 Snyder ..... D23/393  
D528,646 S \* 9/2006 Stout, Jr. .... D23/393  
D571,908 S \* 6/2008 Myers ..... D23/393  
D751,185 S \* 3/2016 Harris ..... D23/386  
D846,087 S \* 4/2019 Naber ..... D23/259

\* cited by examiner

*Primary Examiner* — Karen S Acker

*Assistant Examiner* — Andrea Marie McKay

(74) *Attorney, Agent, or Firm* — Workman Nydegger

(57) **CLAIM**

The ornamental design for a ventilation adaptor, as shown and described.

**DESCRIPTION**

FIG. 1 is a rear perspective view of a ventilation adaptor showing the new design.

FIG. 2 is a front perspective view of the ventilation adaptor showing the new design.

FIG. 3 is a rear elevational view thereof.

FIG. 4 is a front elevational thereof.

FIG. 5 is a top plan view thereof.

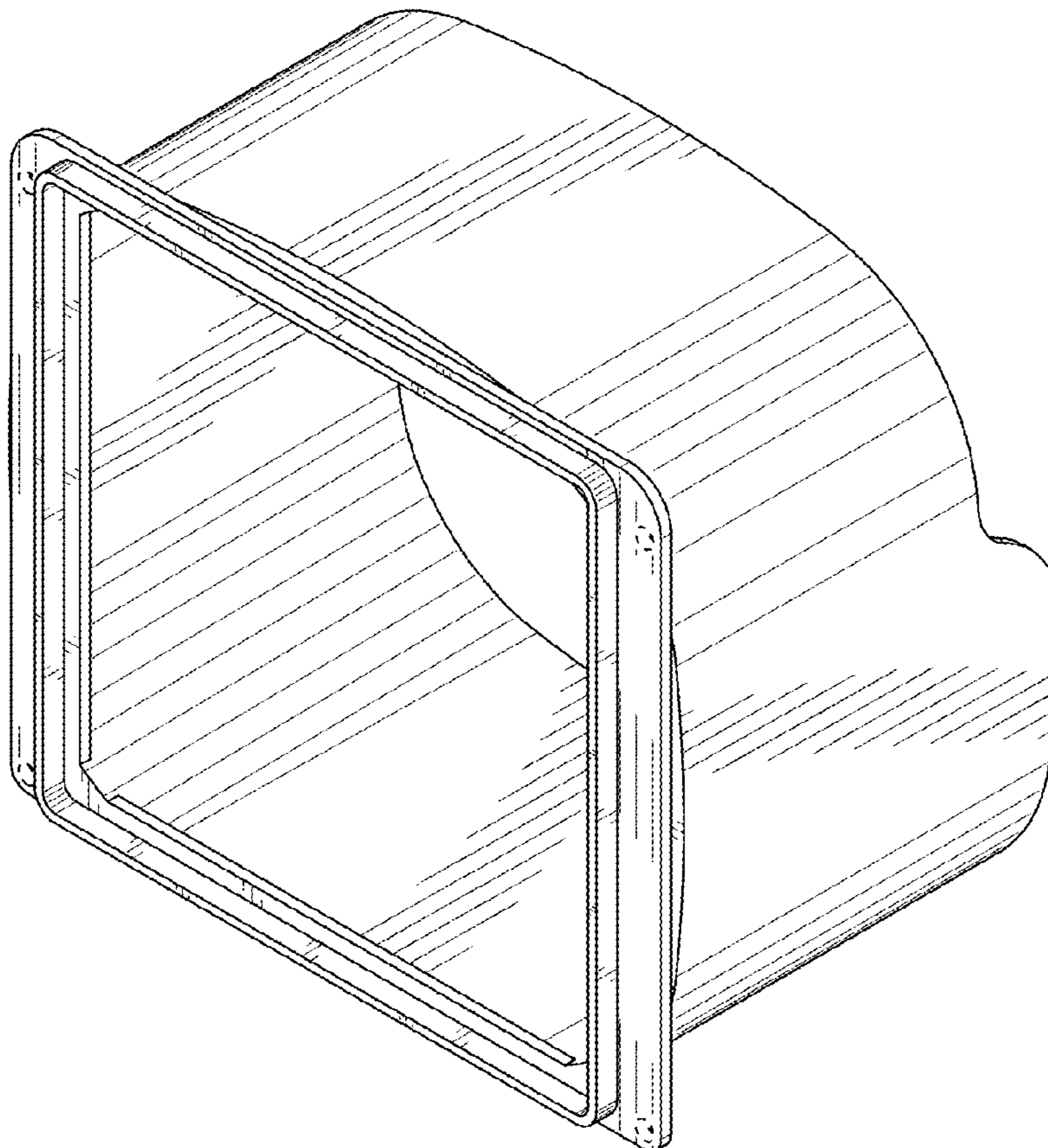
FIG. 6 is a bottom plan view thereof.

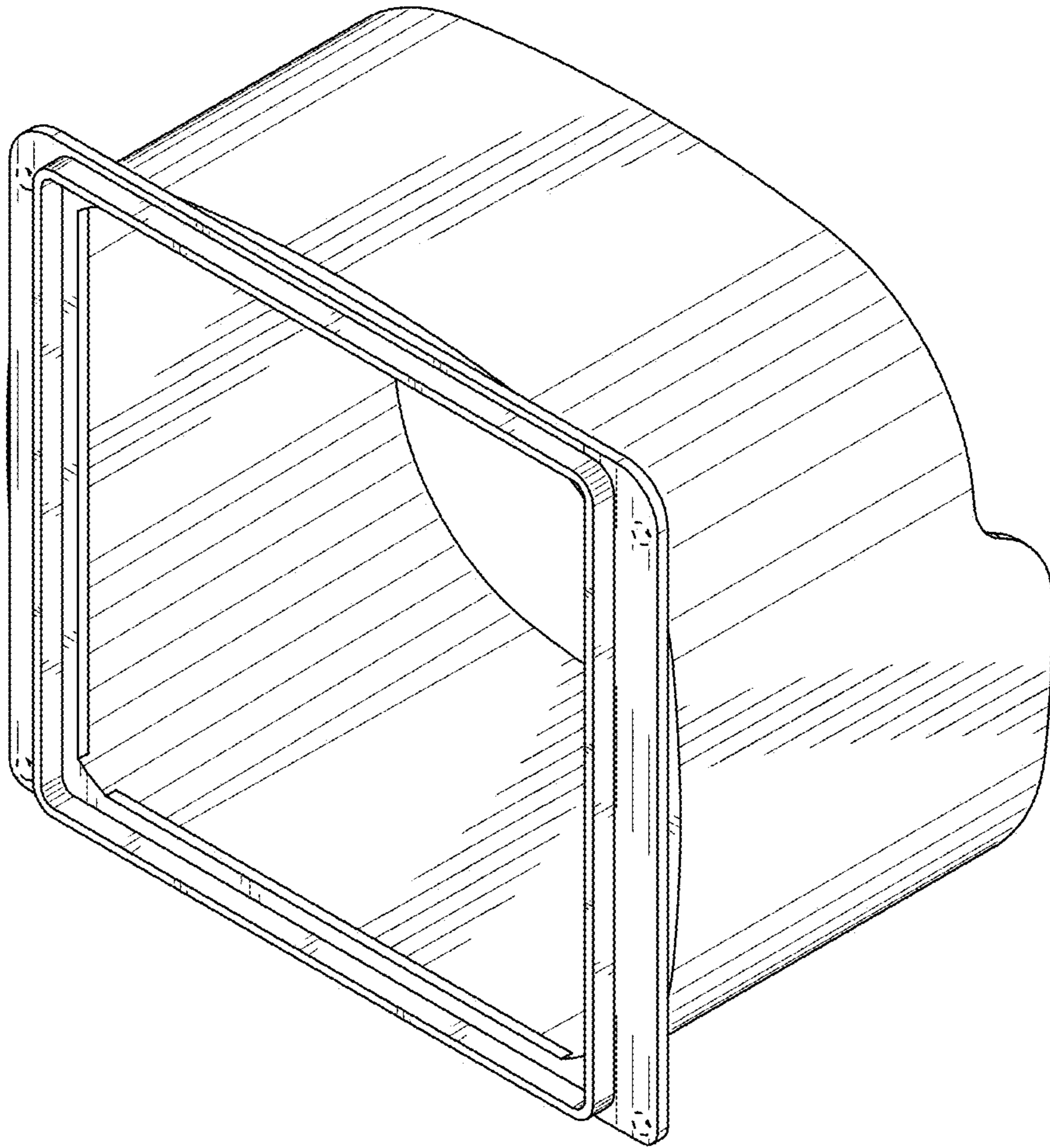
FIG. 7 is a left side elevational view thereof; and,

FIG. 8 is a right side elevational view thereof.

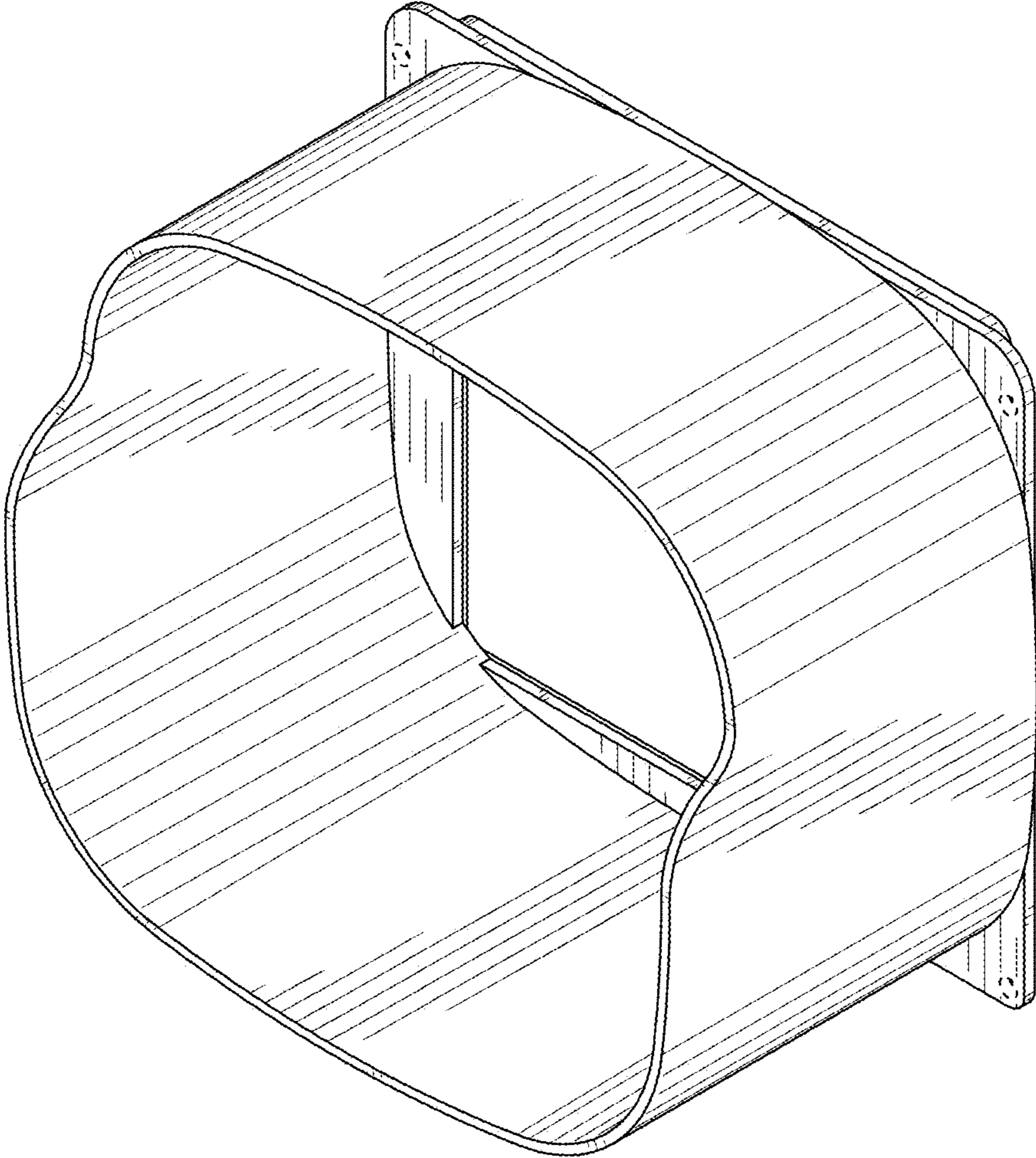
The broken lines in the drawings depict portions of the ventilation adaptor that form no part of the claimed design.

**1 Claim, 5 Drawing Sheets**

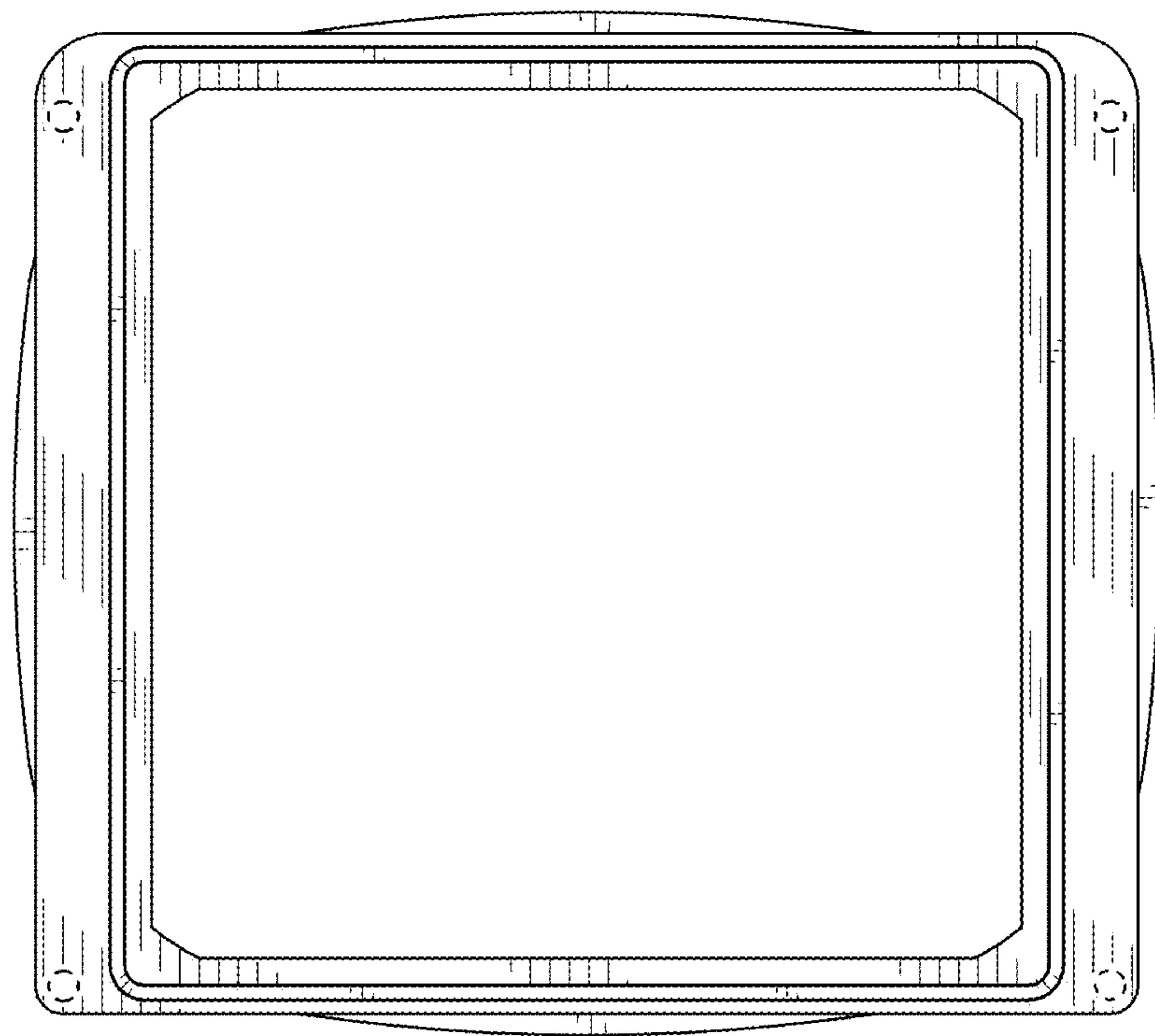




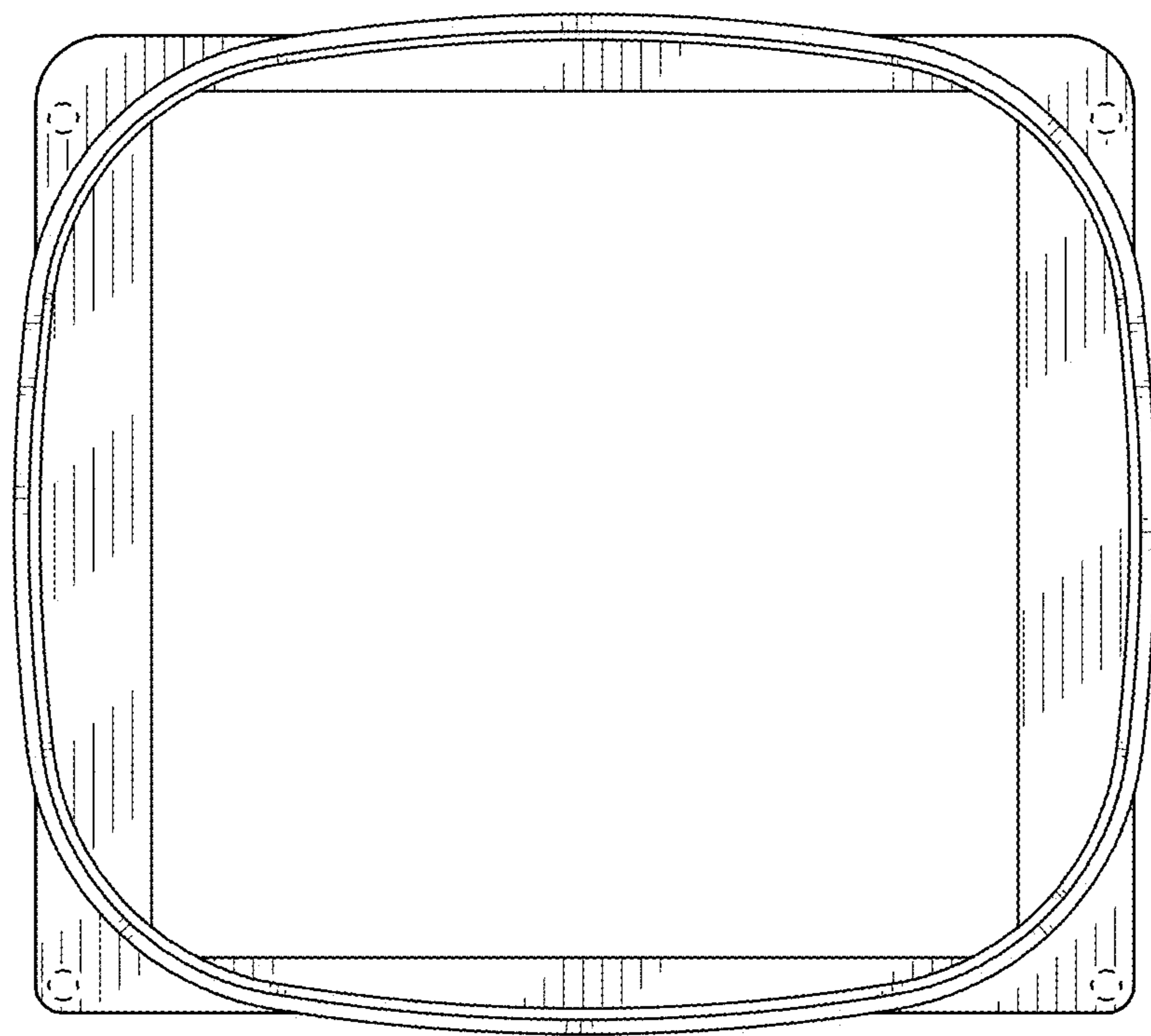
**FIG. 1**



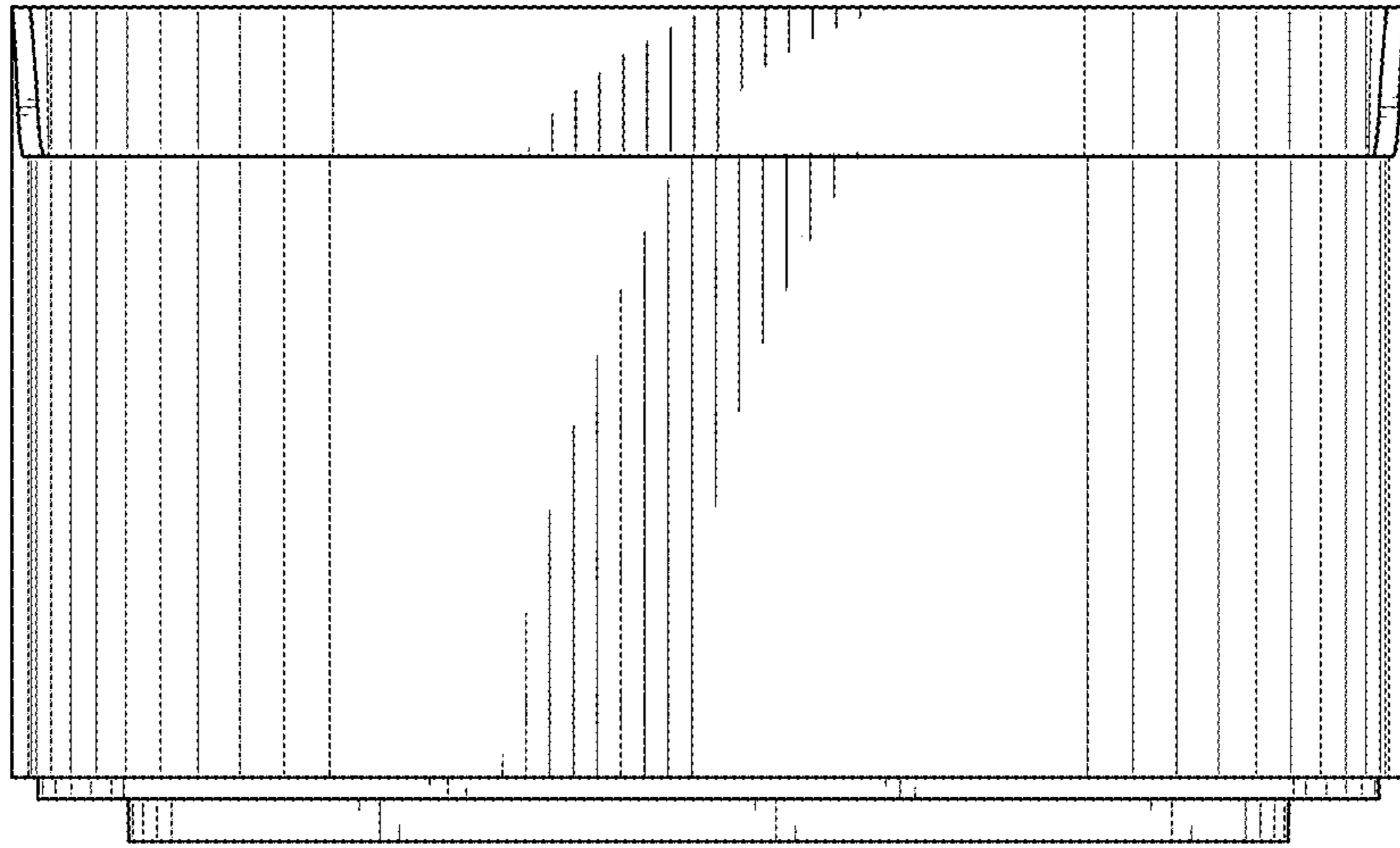
**FIG. 2**



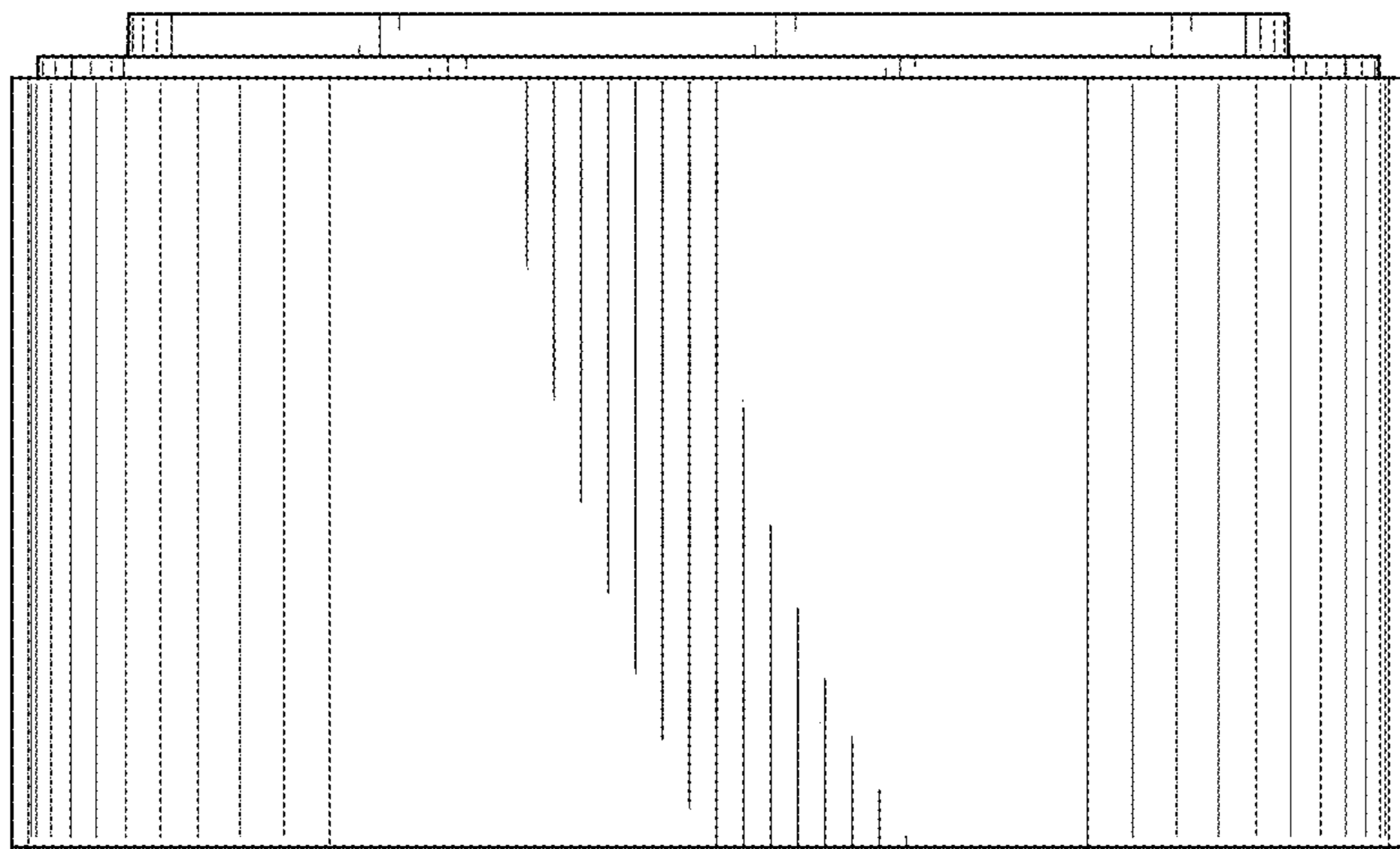
**FIG. 3**



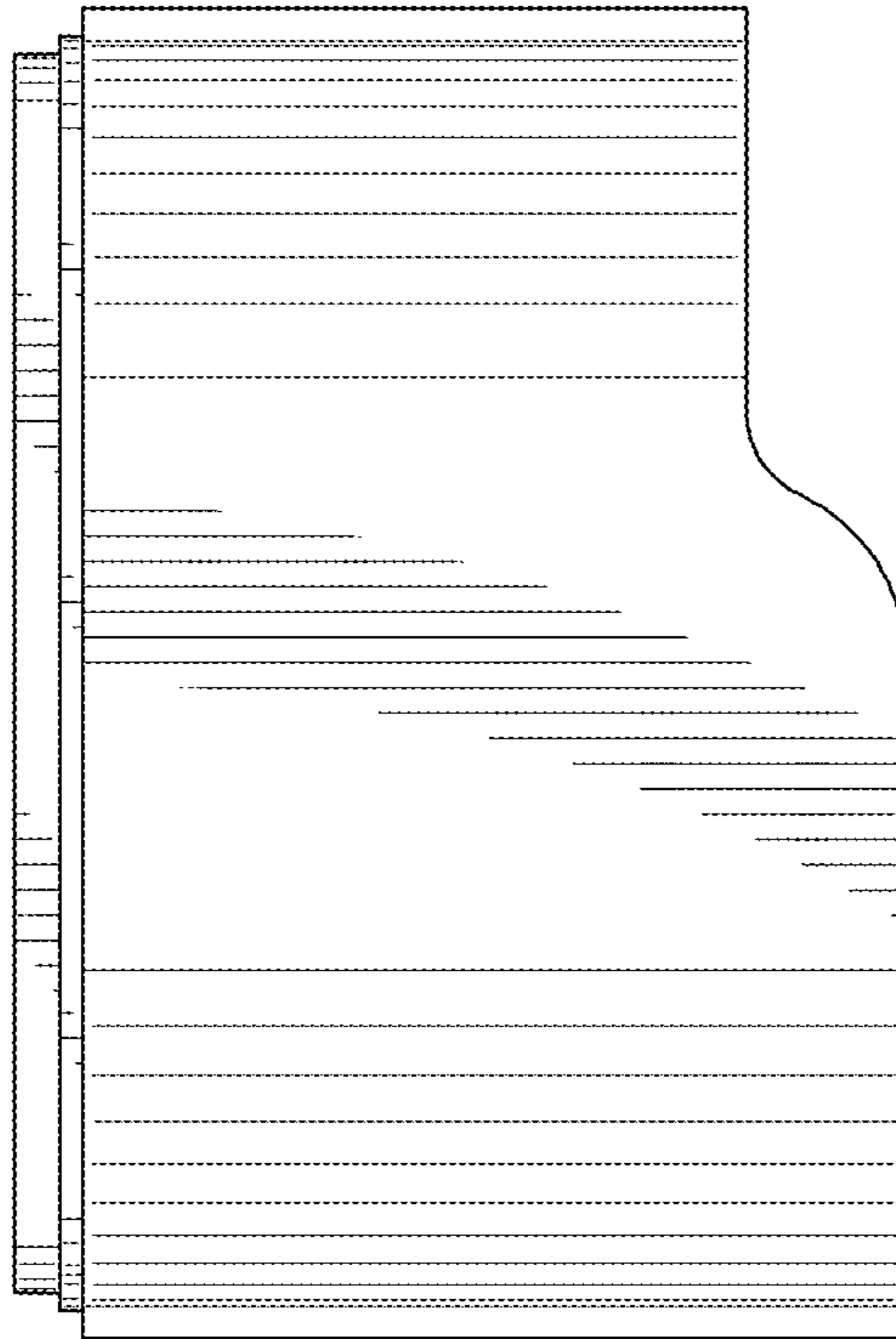
**FIG. 4**



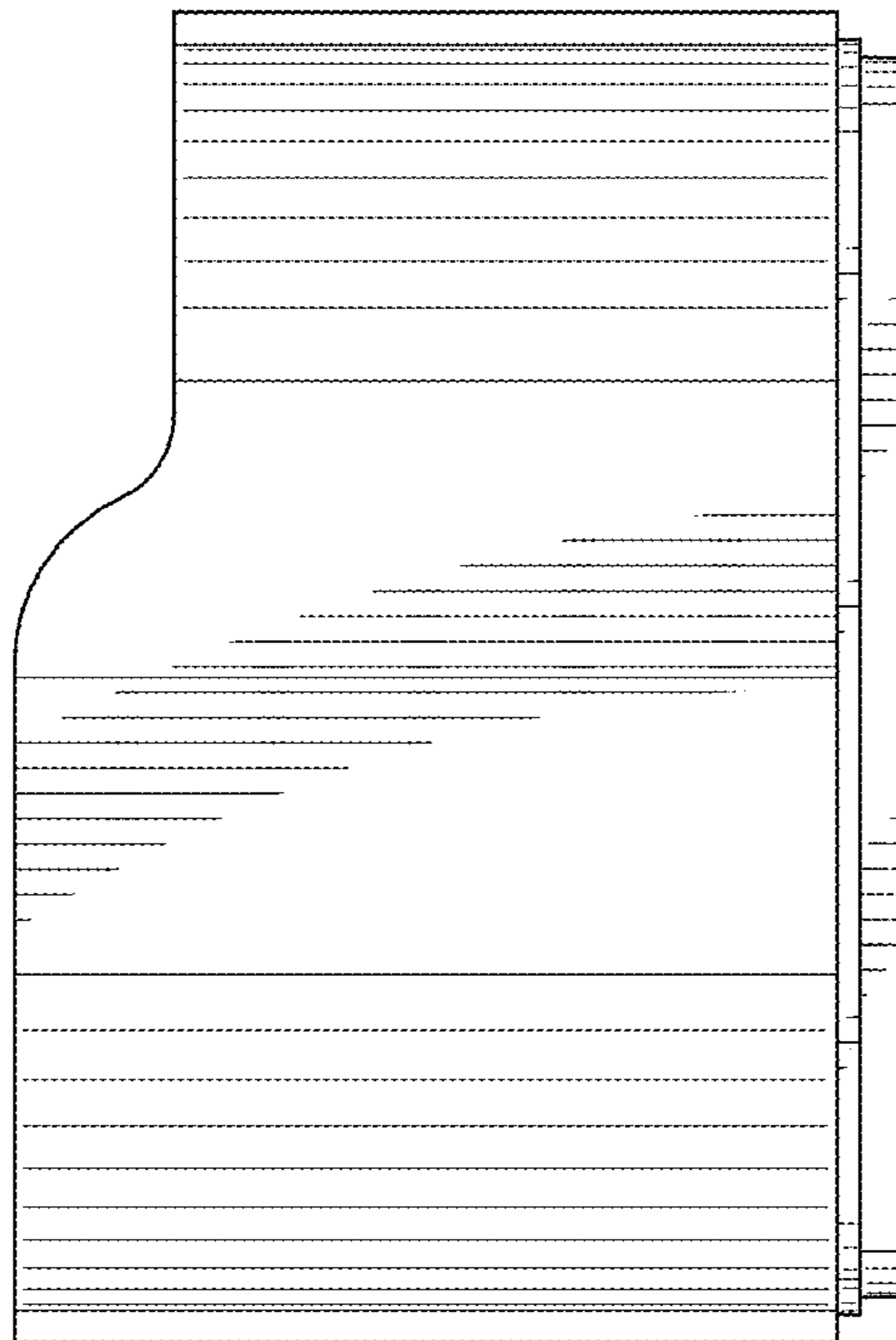
**FIG. 5**



**FIG. 6**



**FIG. 7**



**FIG. 8**