

US0D1021058S

(12) **United States Design Patent**
Bredahl et al.

(10) **Patent No.:** **US D1,021,058 S**

(45) **Date of Patent:** **** Apr. 2, 2024**

(54) **VENTILATION SYSTEM ADAPTOR
CARTRIDGE**

(71) Applicant: **Red Viking Group, Inc.**, Charlotte, NC (US)

(72) Inventors: **Thomas Bredahl**, Charlotte, NC (US);
Maria Hamrick, Weddington, NC (US)

(73) Assignee: **Red Viking Group, Inc.**, Charlotte, NC (US)

(**) Term: **15 Years**

(21) Appl. No.: **29/781,395**

(22) Filed: **Apr. 29, 2021**

(51) **LOC (14) Cl.** **23-03**

(52) **U.S. Cl.**
USPC **D23/393**

(58) **Field of Classification Search**

USPC D23/386–393, 397, 399, 400
CPC .. F24F 2007/001; F24F 2007/005; F24F 7/02;
F24F 7/00; F24F 2007/0025

See application file for complete search history.

(56) **References Cited**

U.S. PATENT DOCUMENTS

D248,770 S *	8/1978	Michaelsen	D23/386
D262,398 S *	12/1981	Syme	D23/386
D263,735 S *	4/1982	Oskwarek	D23/403
D440,929 S *	4/2001	Marko	D12/196
D532,095 S *	11/2006	Calkins	D23/370
D604,828 S *	11/2009	Krohmer	D32/31
D612,925 S *	3/2010	Kameyama	D23/393
D625,404 S *	10/2010	Yu	D23/386
D635,239 S *	3/2011	Liebson	D23/393
D658,831 S *	5/2012	Robinson	D32/25
D675,724 S *	2/2013	Kelly	D23/400
D789,498 S *	6/2017	Dean	D23/262

OTHER PUBLICATIONS

Heil Quaker (ICP)—Air Intake Coupling, review date 2021; URL: <https://www.supplyhouse.com/Heil-Quaker-1012284-Air-Intake-Coupling> (Year: 2021).*

Spectre Performance (9148) 4" Duct Mounting Plate, Date First Available: Sep. 19, 2008; URL: <https://www.amazon.com/Spectre-Performance-Intake-Mounting-Plate/dp/B0035GS6OS?th=1> (Year: 2008).*

Vent Systems 4" inch Air Vent Duct Connector Flange Straight Ventilation Pipe Plastic Ducting Connector Plate for Cooling Heating Ventilation System HVAC 4" inch—Pack of (1), Date First Available: Aug. 28, 2020; URL: <https://www.amazon.com/dp/B08GWS5G1H> (Year: 2020).*

Operating Instructions, Round Duct Connector: Steel, Galvanized, 8 in×8 in×3/4in, Round Duct Connector; Published Aug. 11, 2011; (Year: 2011).*

* cited by examiner

Primary Examiner — Karen S Acker

Assistant Examiner — Andrea Marie McKay

(74) *Attorney, Agent, or Firm* — Workman Nydegger

(57) **CLAIM**

The ornamental design for a ventilation system adaptor cartridge, as shown and described.

DESCRIPTION

FIG. 1 is a rear perspective view of a ventilation system adaptor cartridge showing the new design.

FIG. 2 is a front perspective view of the ventilation system adaptor cartridge showing the new design.

FIG. 3 is a rear elevational view thereof.

FIG. 4 is a front elevational view thereof.

FIG. 5 is a top plan view thereof.

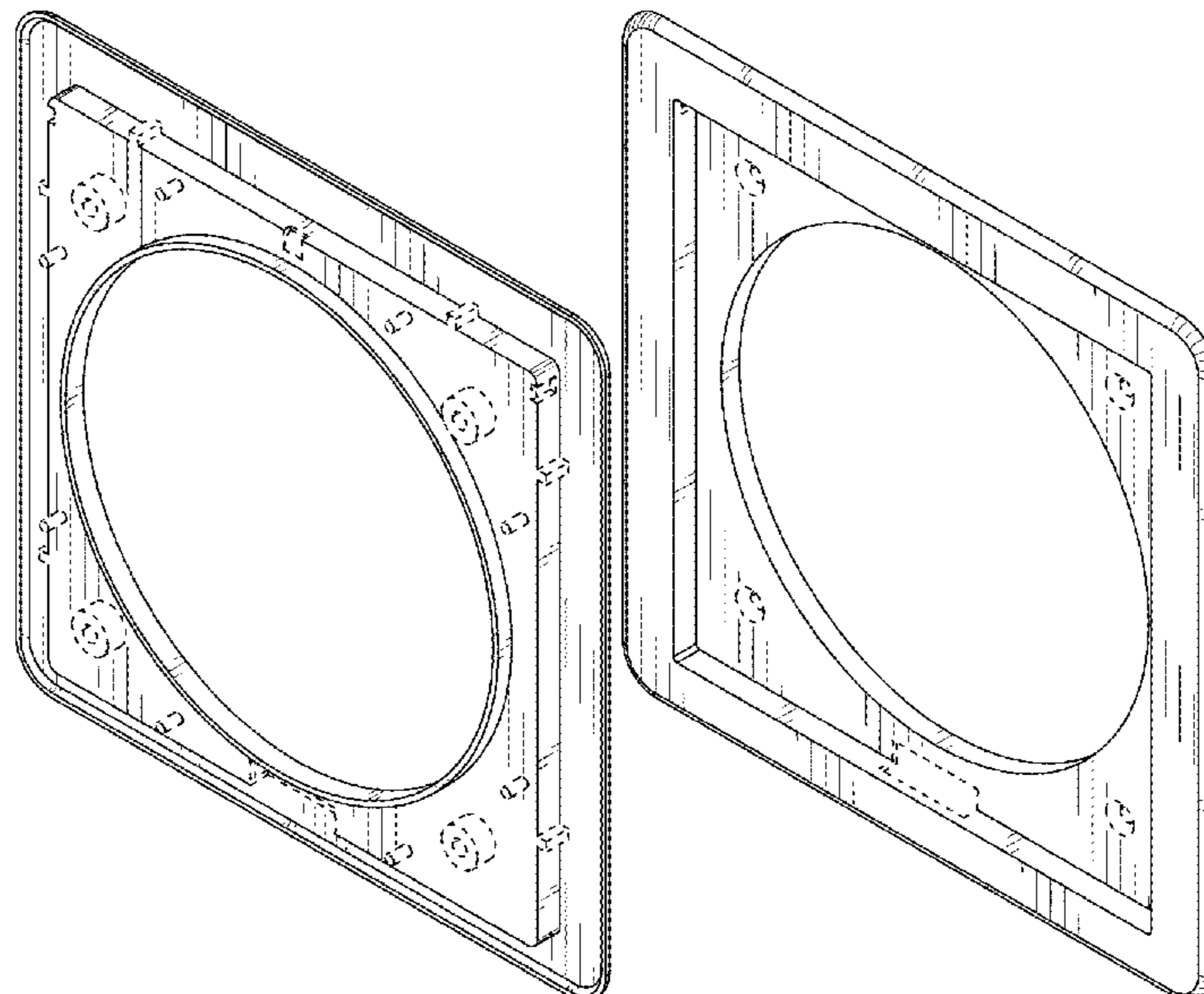
FIG. 6 is a bottom plan view thereof.

FIG. 7 is a left side elevational view thereof; and,

FIG. 8 is a right side elevational view thereof.

The broken lines in the drawings depict portions of the ventilation system adaptor cartridge that form no part of the claimed design.

1 Claim, 4 Drawing Sheets



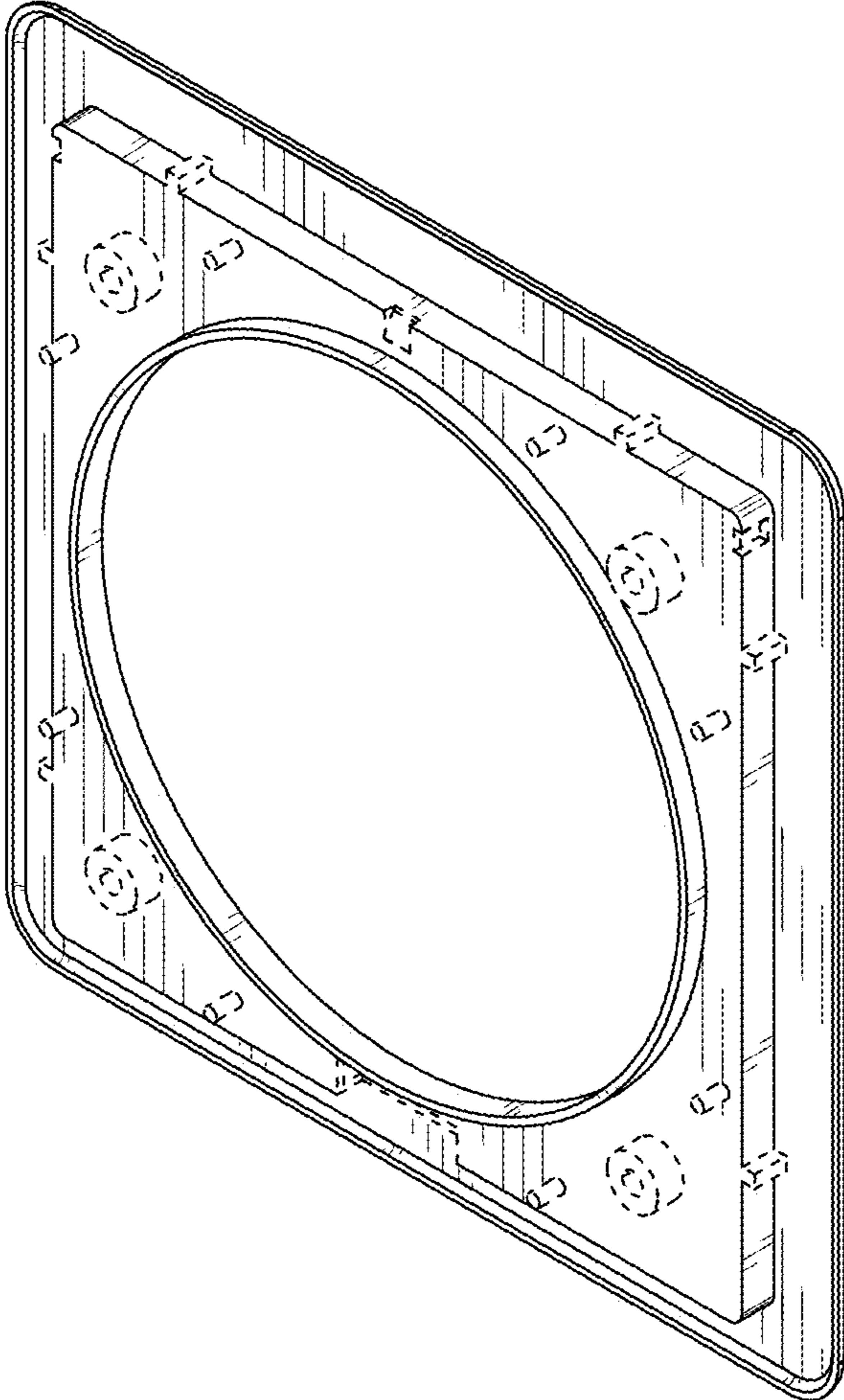


FIG. 1

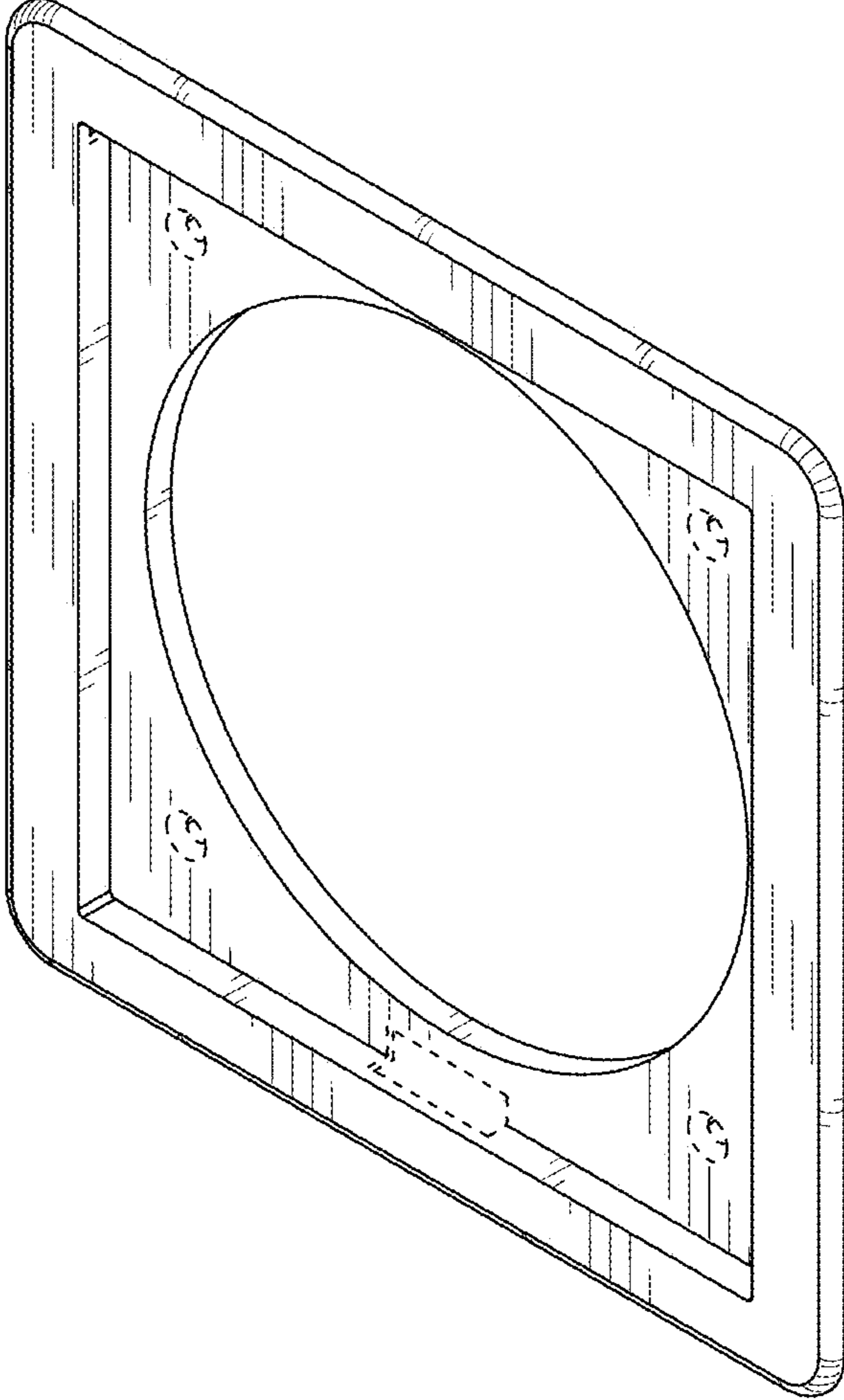


FIG. 2

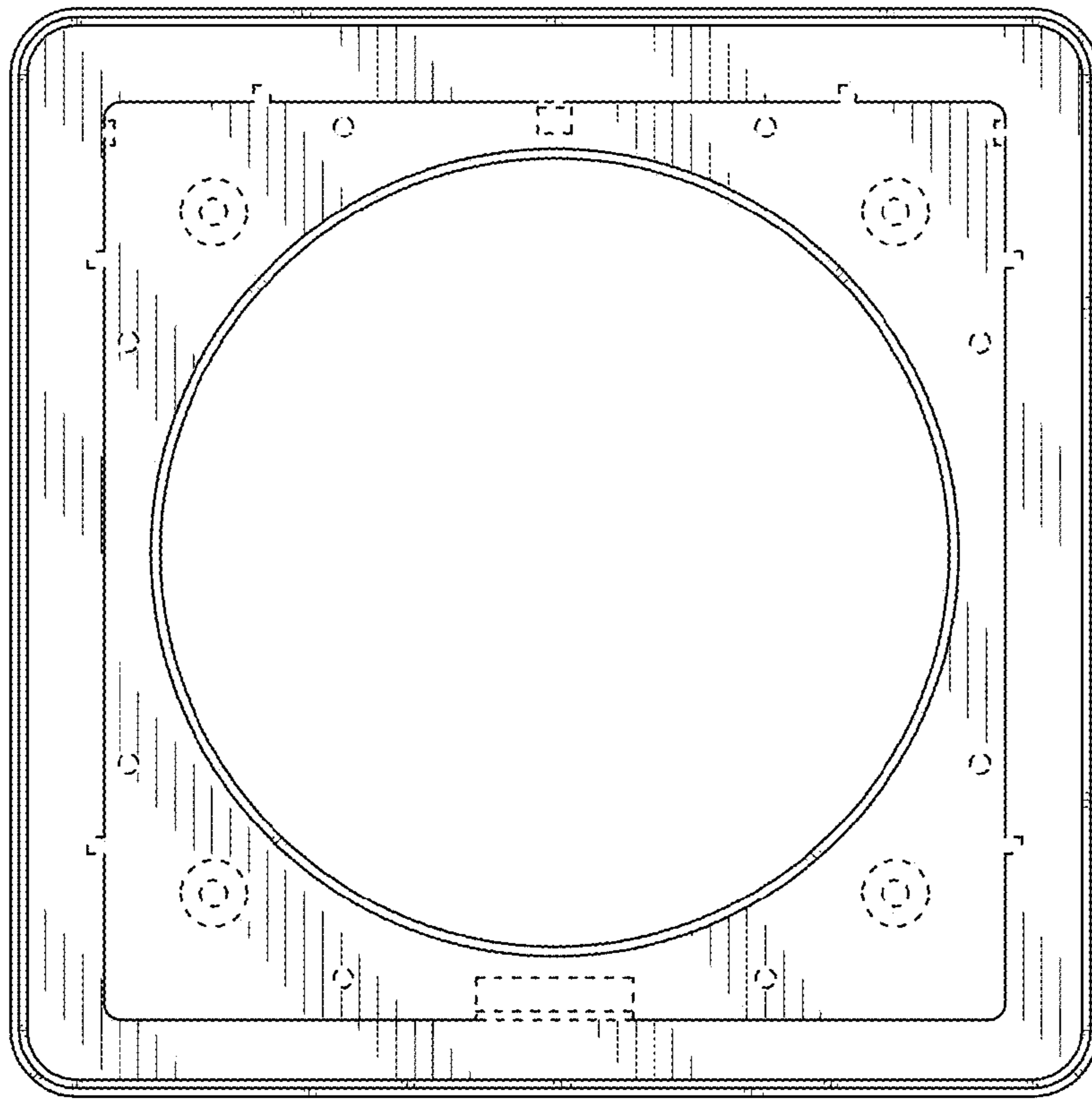


FIG. 3

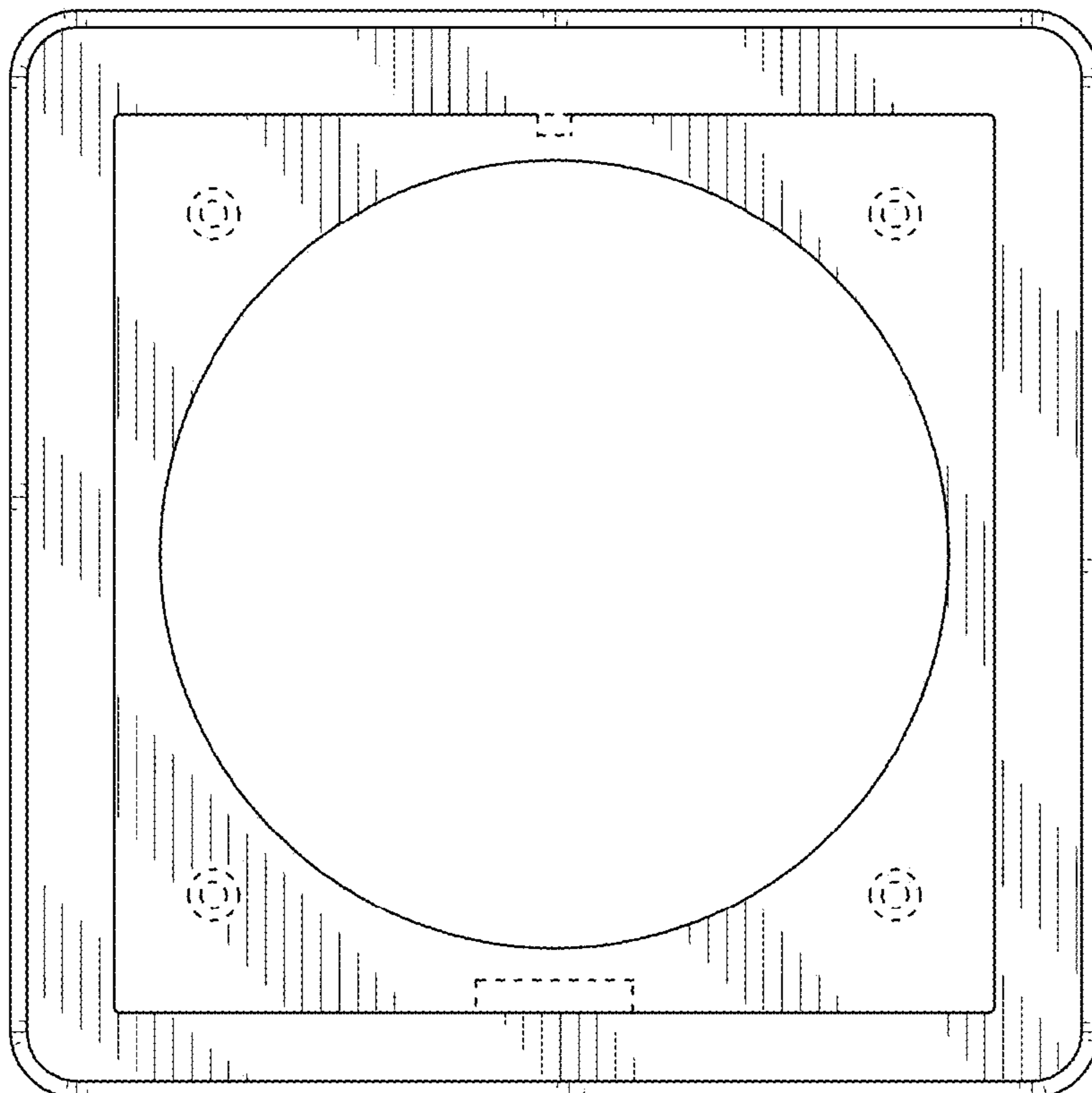


FIG. 4



FIG. 5

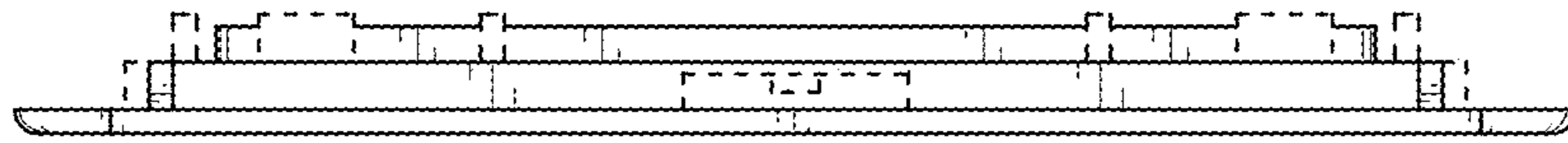


FIG. 6



FIG. 7



FIG. 8