



US0D1020968S

(12) **United States Design Patent** (10) **Patent No.:** **US D1,020,968 S**  
**Fackler et al.** (45) **Date of Patent:** **\*\* Apr. 2, 2024**

(54) **CHEEK RISER**

(71) Applicant: **GBRS Group LLC**, Virginia Beach, VA (US)

(72) Inventors: **Blair Cole Fackler**, Virginia Beach, VA (US); **Donald Wayne Shipley**, Virginia Beach, VA (US)

(73) Assignee: **GBRS Group LLC**, Virginia Beach, VA (US)

(\*\*) Term: **15 Years**

(21) Appl. No.: **29/867,417**

(22) Filed: **Oct. 24, 2022**

(51) **LOC (14) Cl.** ..... **22-01**

(52) **U.S. Cl.**  
USPC ..... **D22/108**

(58) **Field of Classification Search**  
USPC ..... D22/108  
CPC ..... F41C 23/06; F41C 23/14; F41C 23/18;  
F41C 27/00  
See application file for complete search history.

(56) **References Cited**

**U.S. PATENT DOCUMENTS**

- 8,341,867 B2 \* 1/2013 Criswell ..... F41C 23/14  
42/73
- D742,470 S \* 11/2015 Battaglia ..... D22/108
- D755,329 S \* 5/2016 Kielsmeier ..... D22/108
- 9,488,435 B1 11/2016 Roberts et al.
- D788,252 S \* 5/2017 Slater ..... D22/108
- D823,979 S \* 7/2018 Stevens ..... D22/108

(Continued)

**FOREIGN PATENT DOCUMENTS**

CN 211552611 U 9/2020

**OTHER PUBLICATIONS**

International Search Report dated Apr. 21, 2023 issued in International Application No. PCT/US2022/041932.

(Continued)

*Primary Examiner* — Michael A. Pratt

(74) *Attorney, Agent, or Firm* — Eversheds Sutherland (US) LLP

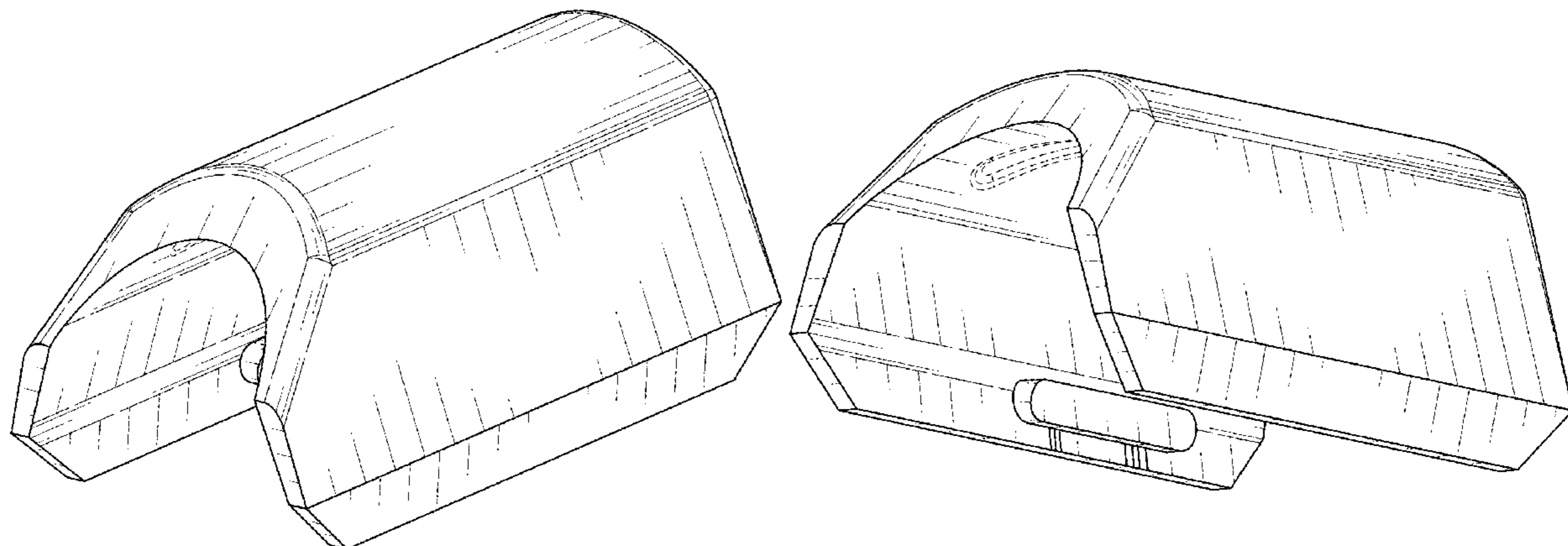
(57) **CLAIM**

The ornamental design for a cheek riser, as shown and described.

**DESCRIPTION**

FIG. 1 is a left view of a cheek riser according to a first embodiment of the disclosure;  
 FIG. 2 is a right view thereof;  
 FIG. 3 is a front view thereof;  
 FIG. 4 is a rear view thereof;  
 FIG. 5 is a top view thereof;  
 FIG. 6 is a bottom view thereof;  
 FIG. 7 is a top perspective view thereof; and  
 FIG. 8 is a bottom perspective view thereof.  
 FIG. 9 is a left view of a cheek riser according to a second embodiment of the disclosure;  
 FIG. 10 is a right view thereof;  
 FIG. 11 is a front view thereof;  
 FIG. 12 is a rear view thereof;  
 FIG. 13 is a top view thereof;  
 FIG. 14 is a bottom view thereof;  
 FIG. 15 is a top perspective view thereof; and  
 FIG. 16 is a bottom perspective view thereof.  
 FIG. 17 is a left view of a cheek riser according to a third embodiment of the disclosure;  
 FIG. 18 is a right view thereof;  
 FIG. 19 is a front view thereof;  
 FIG. 20 is a rear view thereof;  
 FIG. 21 is a top view thereof;  
 FIG. 22 is a bottom view thereof;  
 FIG. 23 is a top perspective view thereof; and  
 FIG. 24 is a bottom perspective view thereof.

**1 Claim, 12 Drawing Sheets**



(56)

**References Cited**

U.S. PATENT DOCUMENTS

D883,415 S *	5/2020	Noonan .....	D22/108
11,644,272 B1 *	5/2023	Cutrer .....	F41C 23/14 42/72
2007/0101631 A1	5/2007	Bentley	
2011/0016764 A1 *	1/2011	Cales .....	F41C 23/14 42/90
2012/0110884 A1	5/2012	Riswell	
2023/0068530 A1 *	3/2023	Delany .....	F41C 23/06
2023/0122203 A1 *	4/2023	Keller .....	F41C 23/14 42/73

OTHER PUBLICATIONS

Written Opinion of the International Searching Authority dated Apr. 21, 2023 issued in International Application No. PCT/US2022/041932.

\* cited by examiner

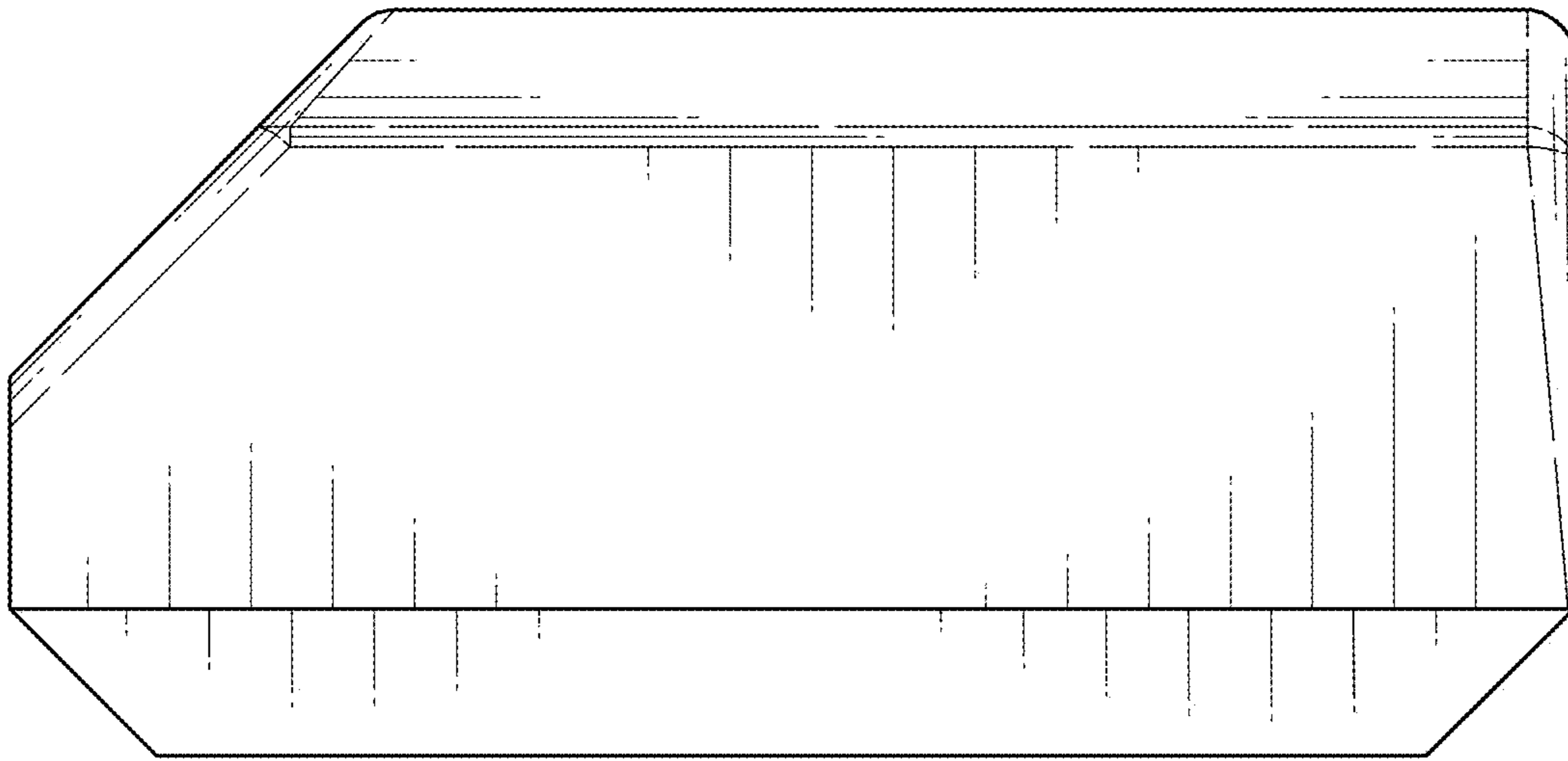


FIG. 1

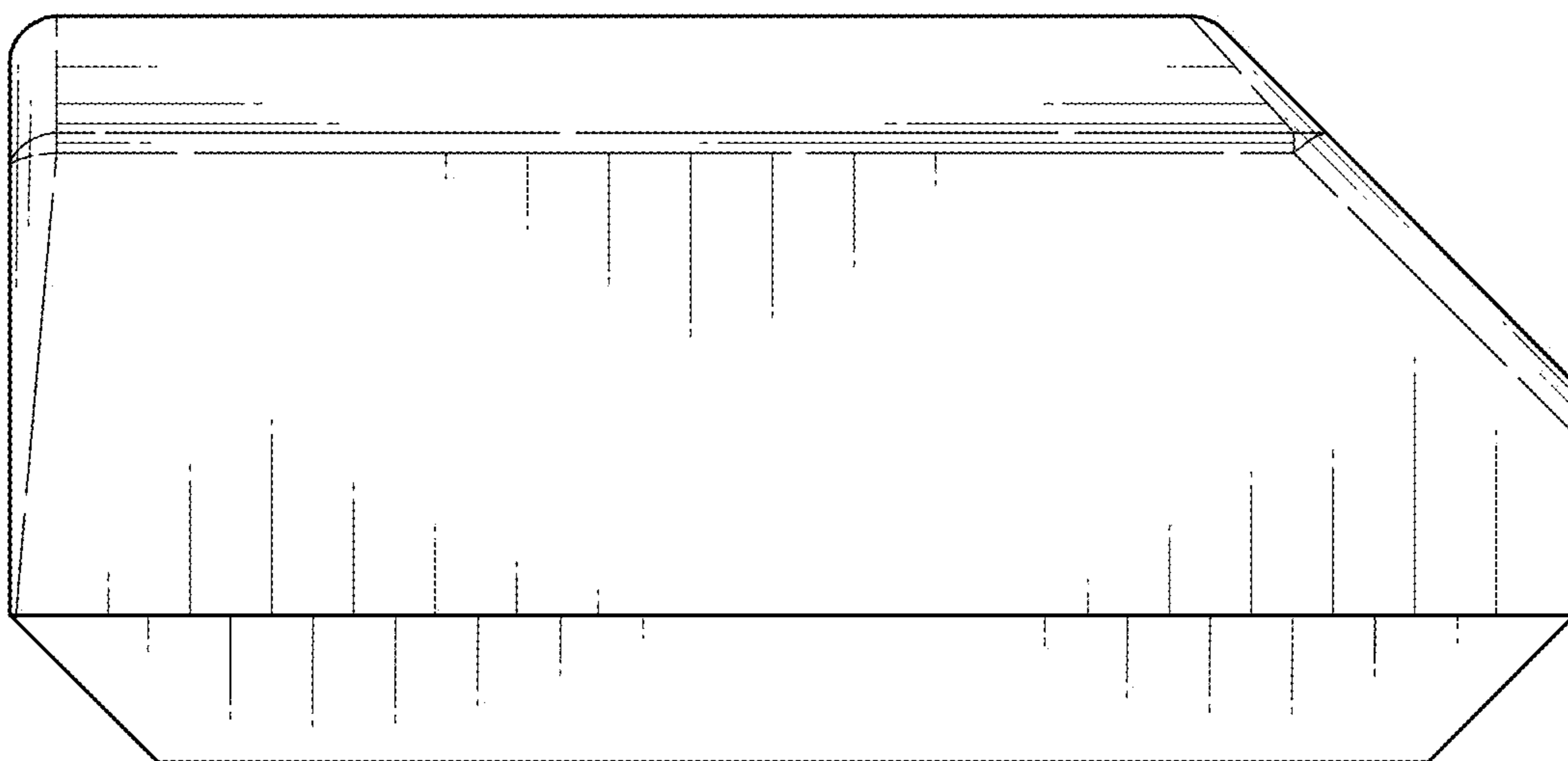


FIG. 2

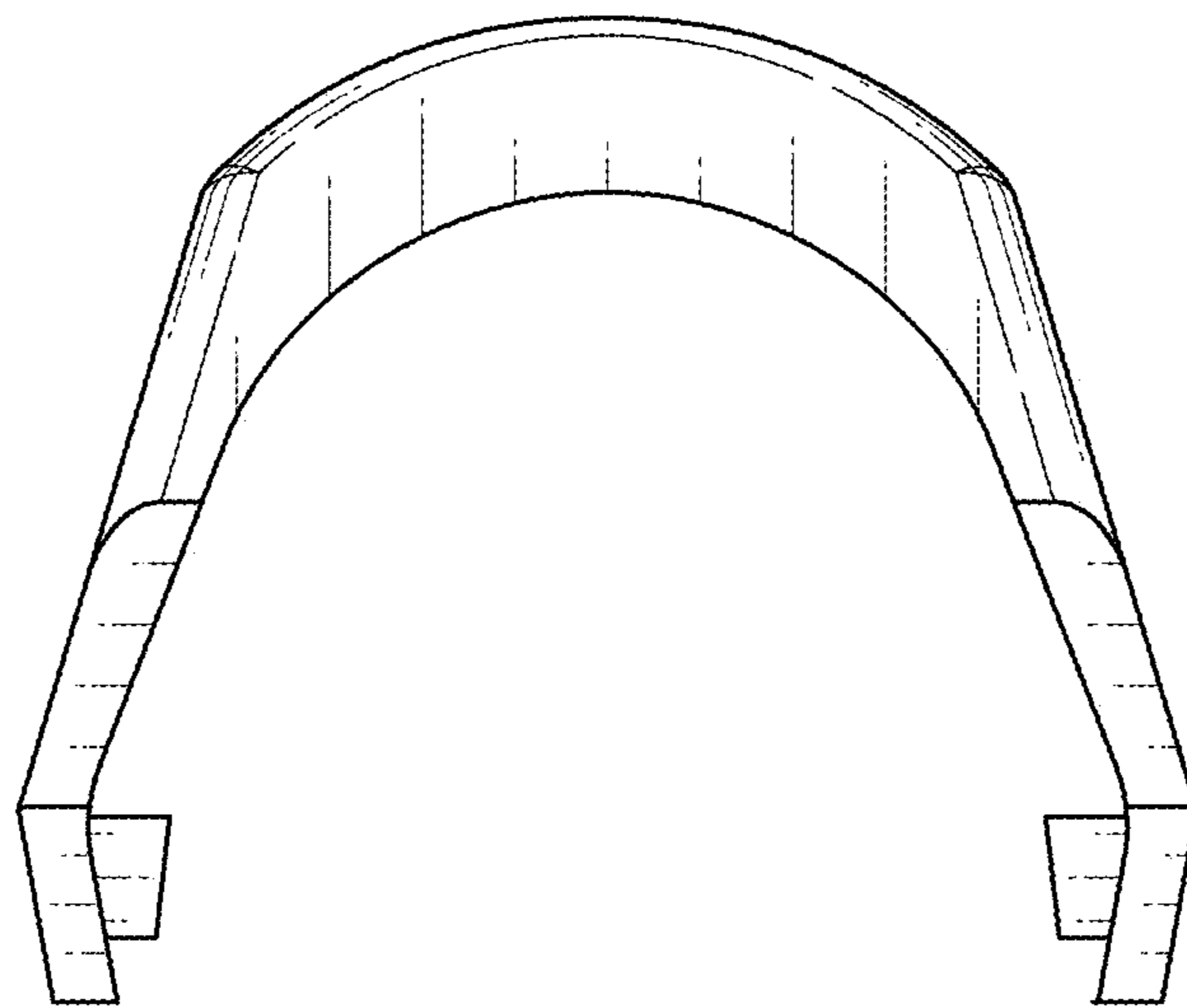


FIG. 3

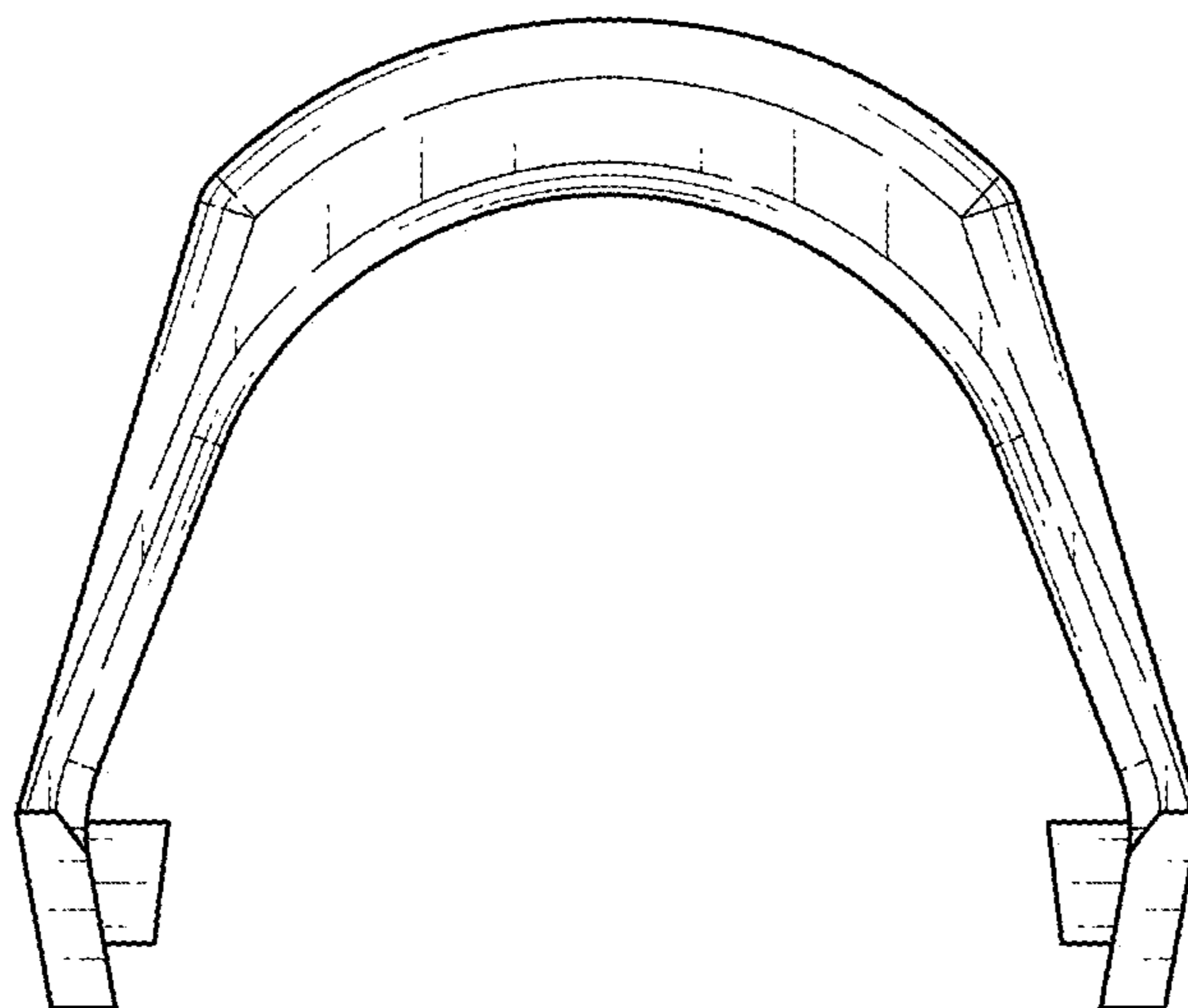


FIG. 4

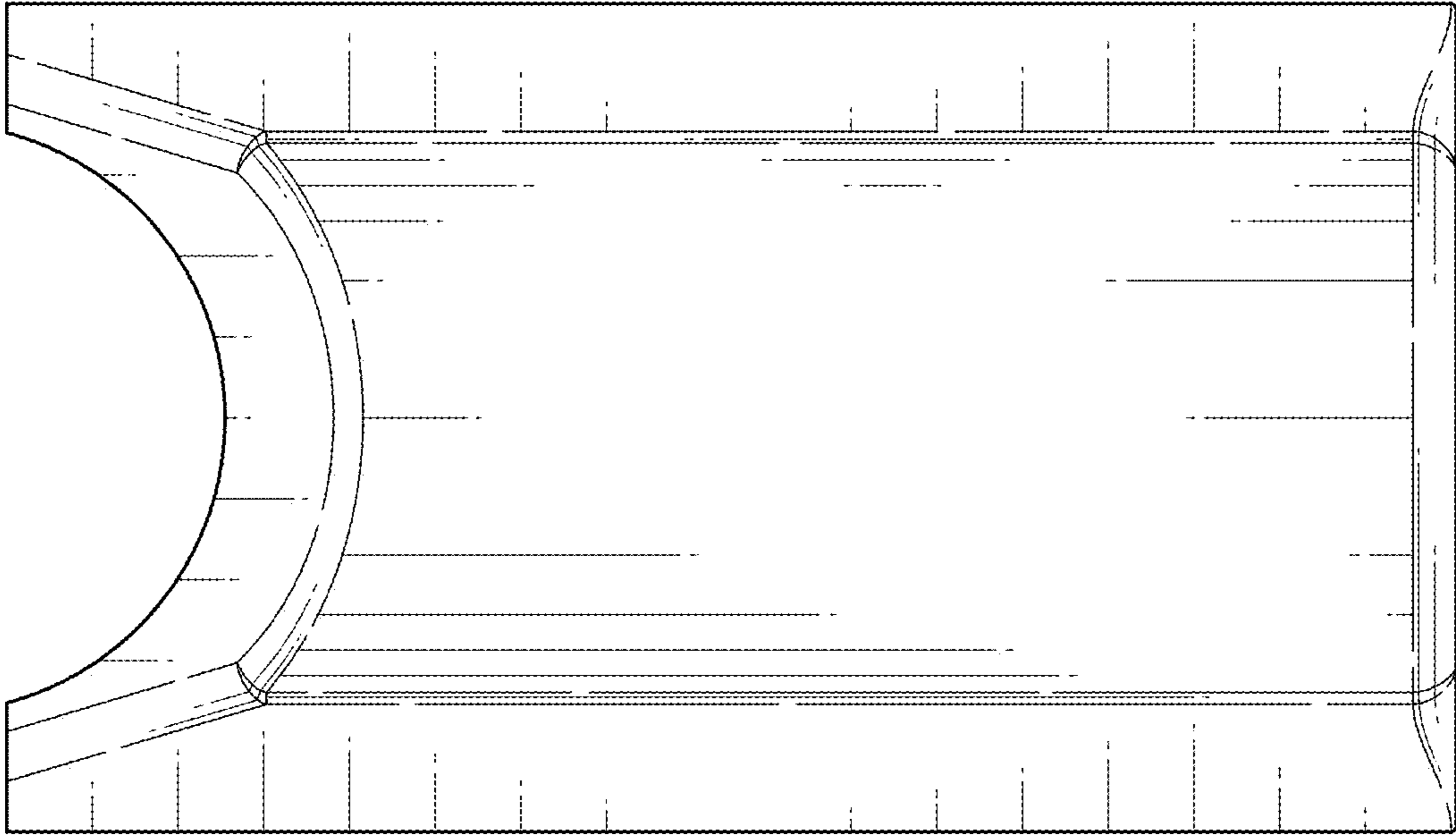


FIG. 5

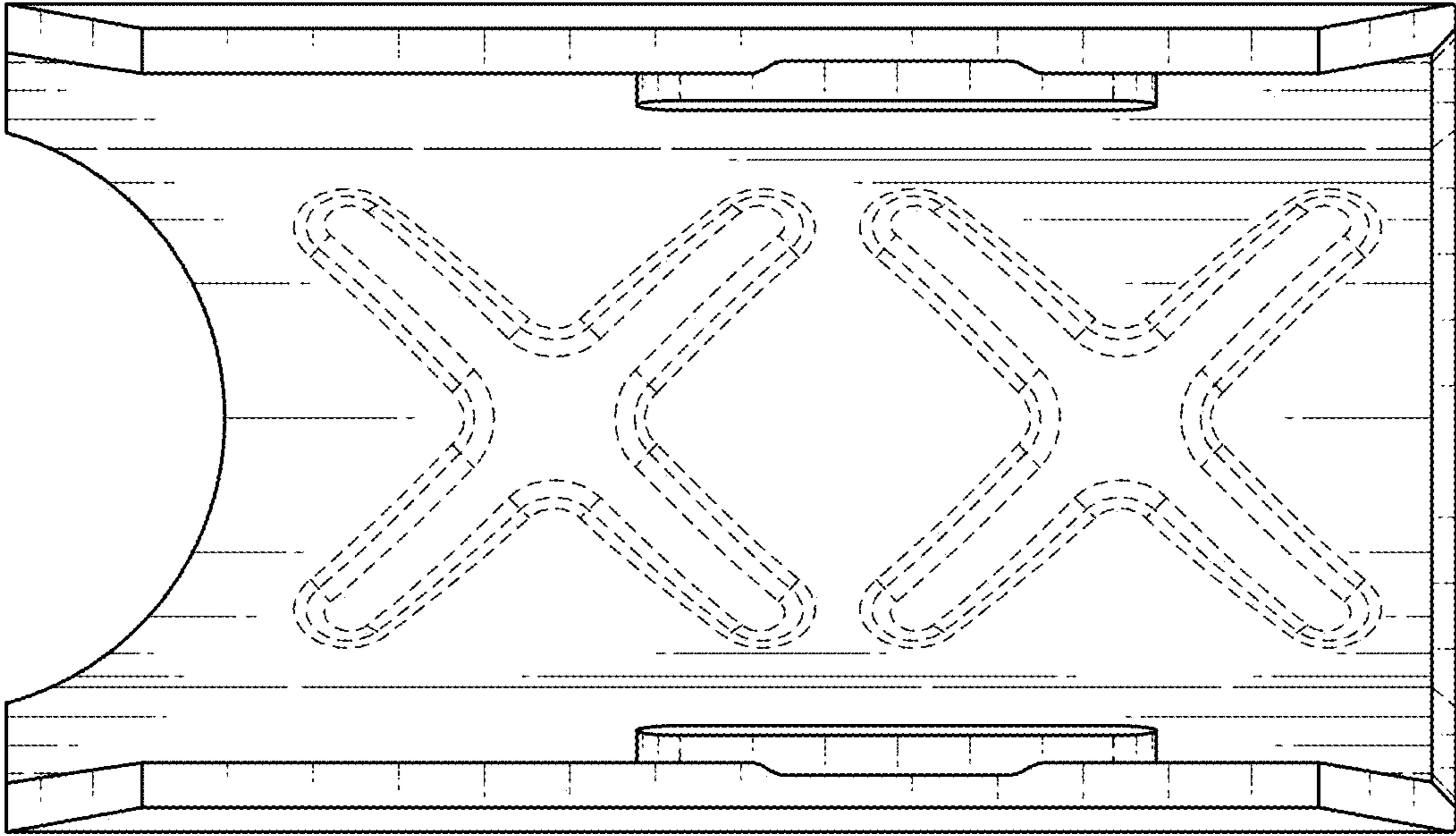


FIG. 6



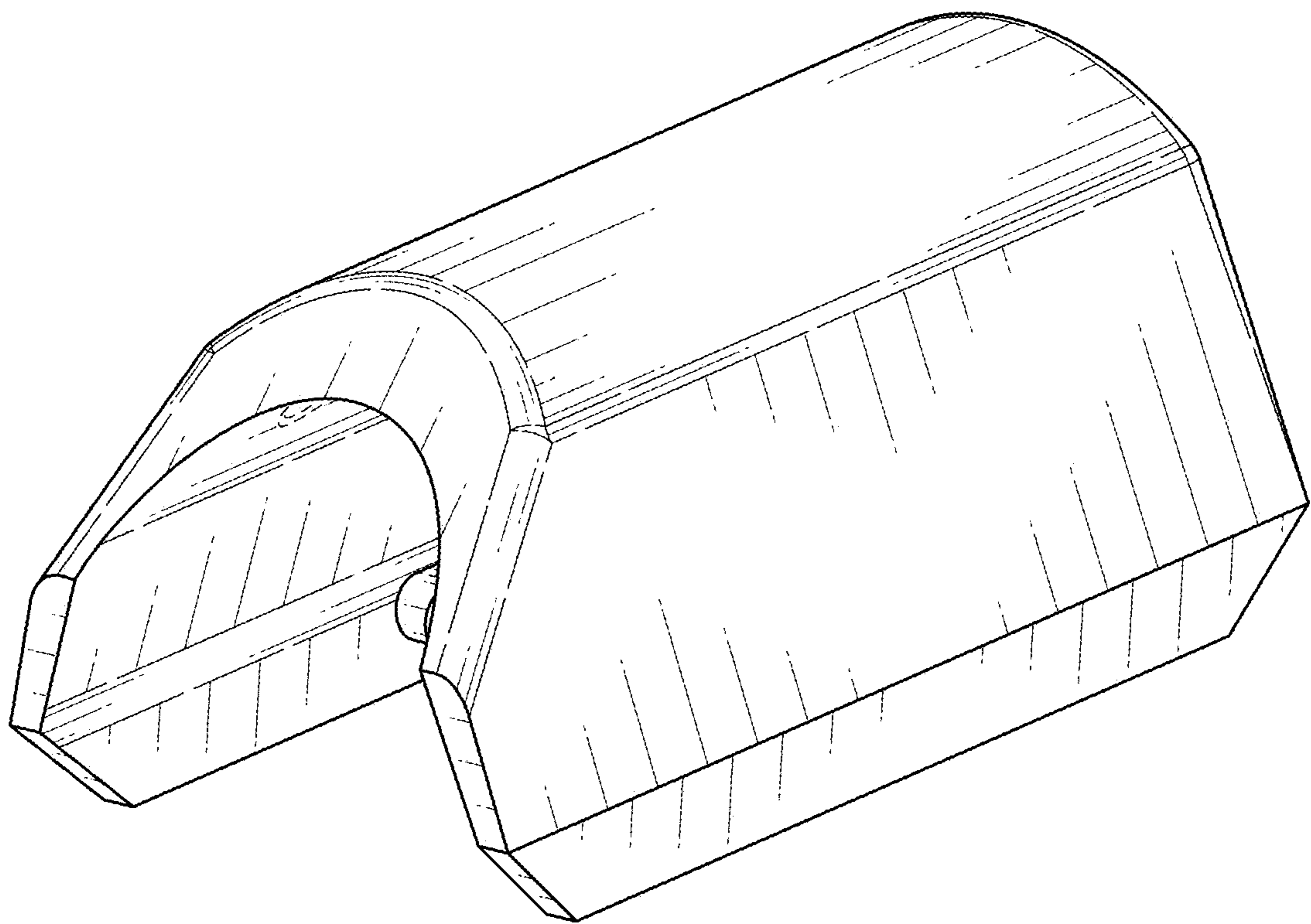


FIG. 7

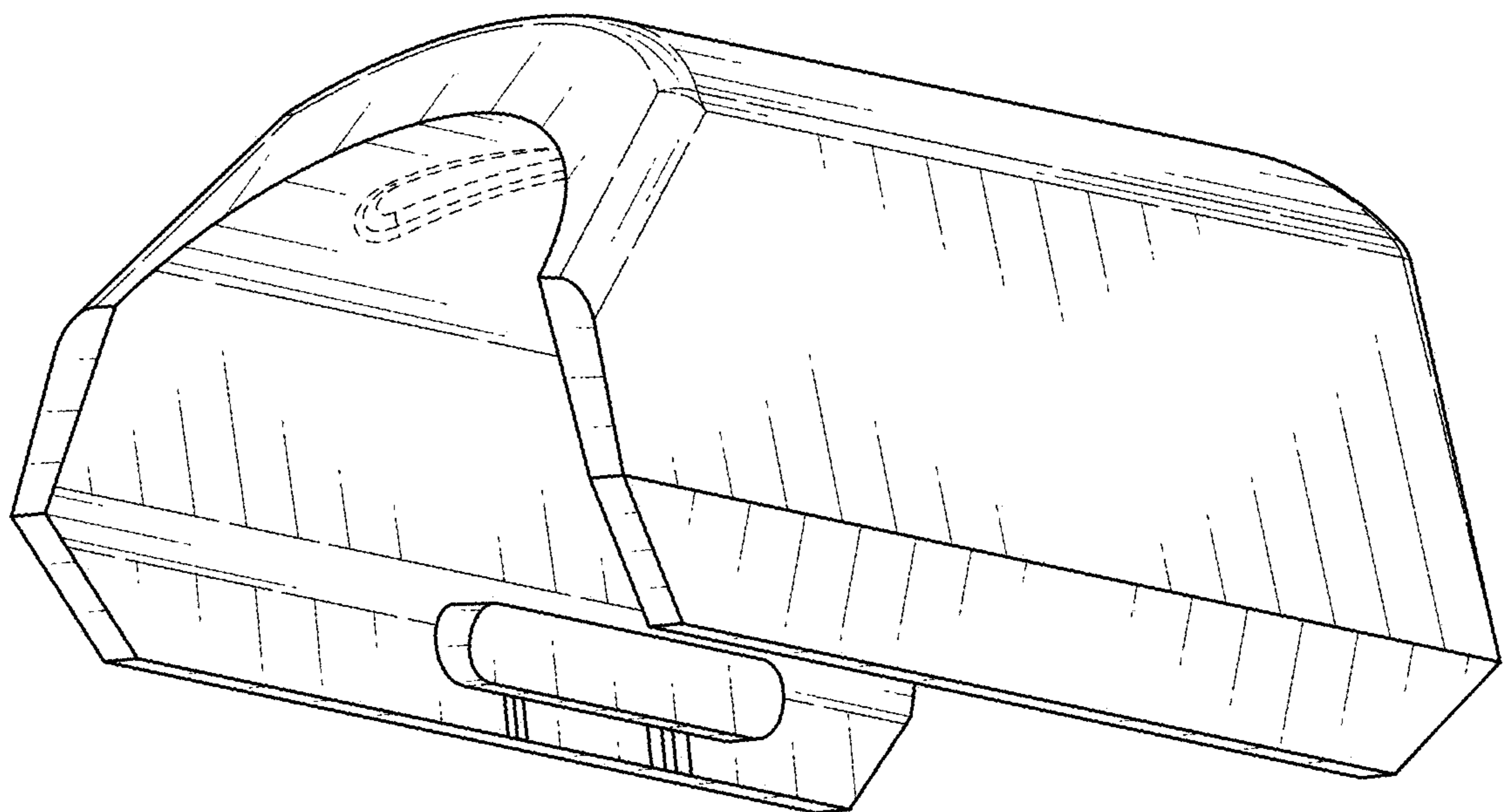


FIG. 8

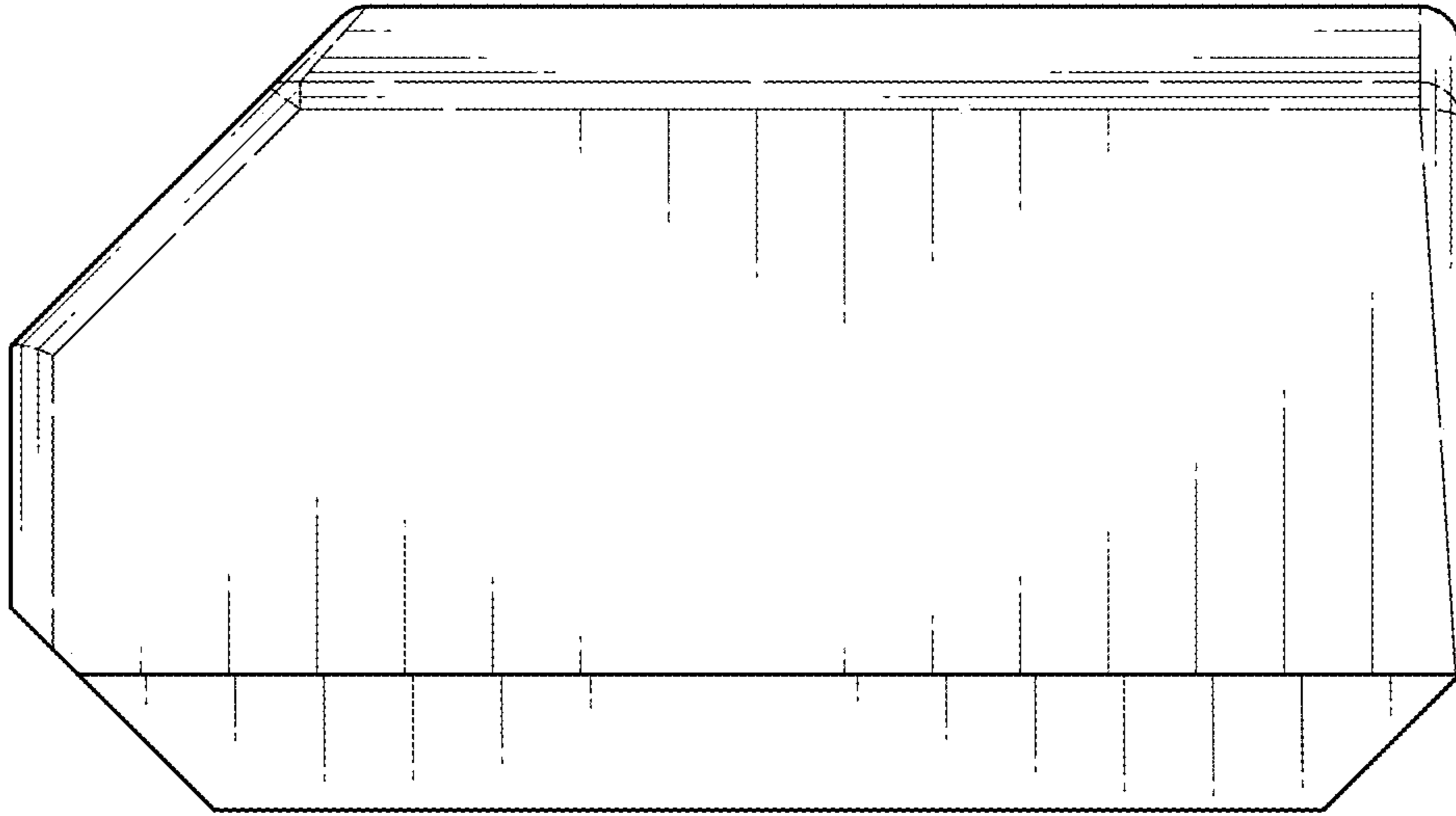


FIG. 9

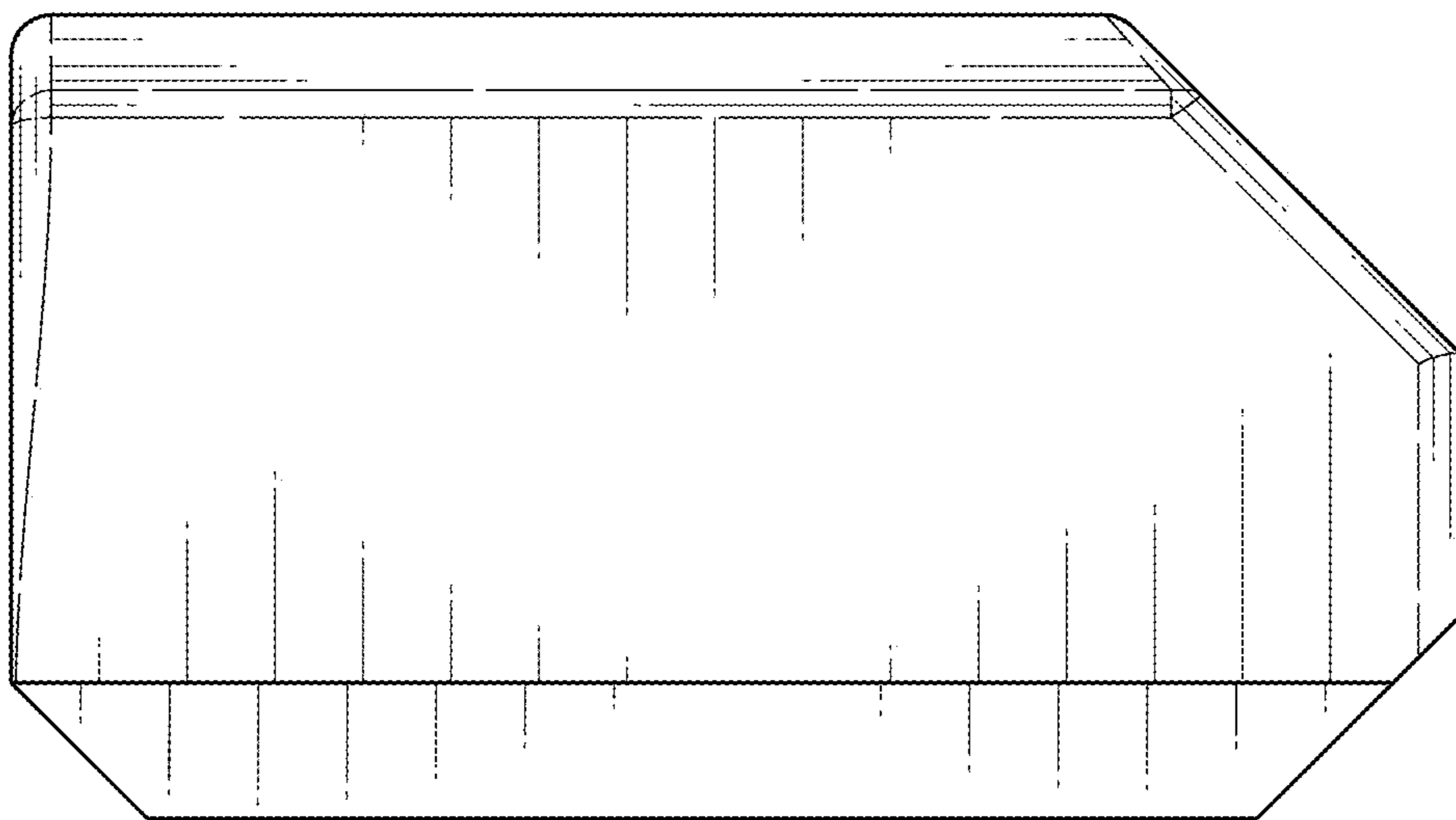


FIG. 10

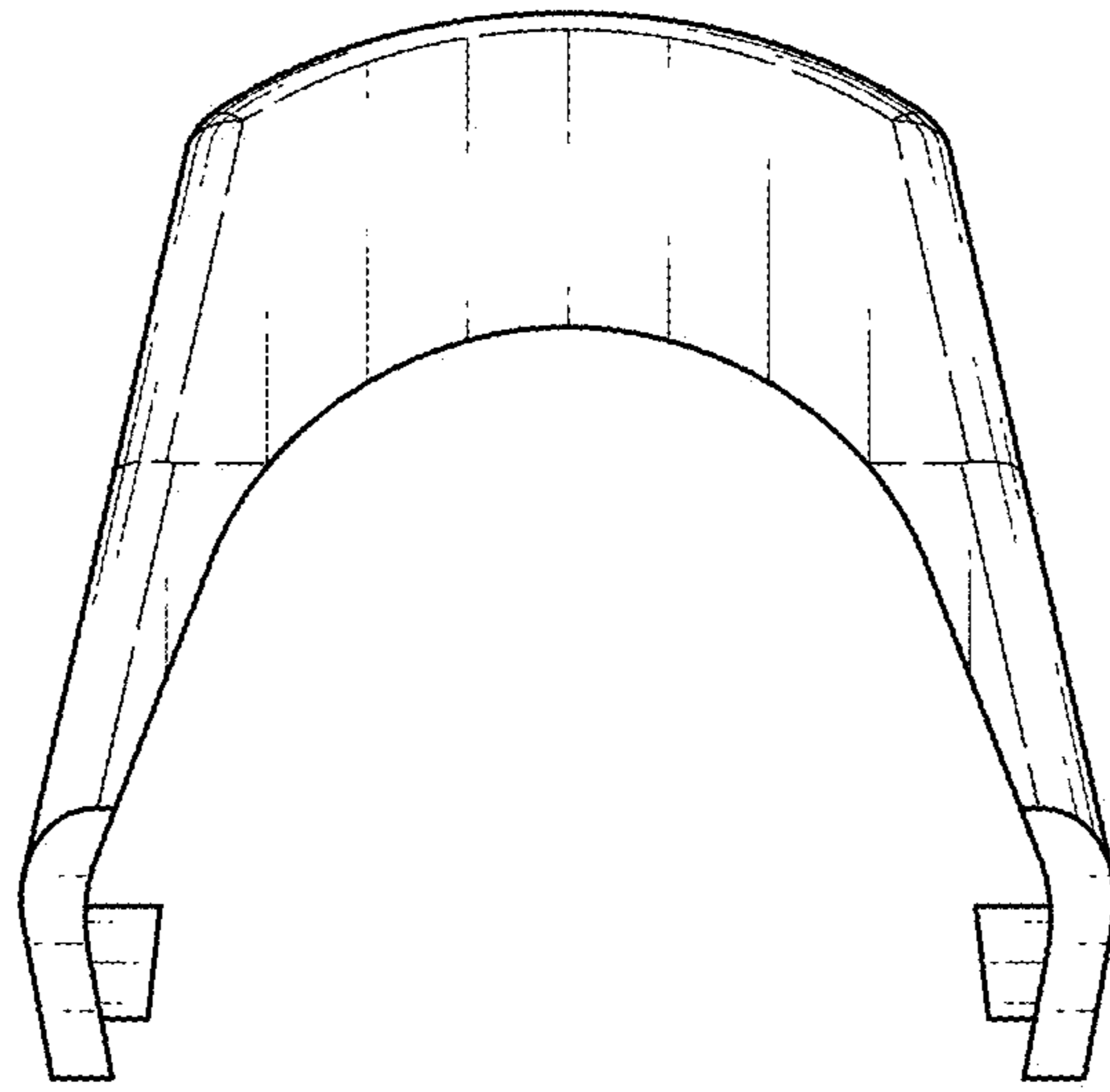


FIG. 11

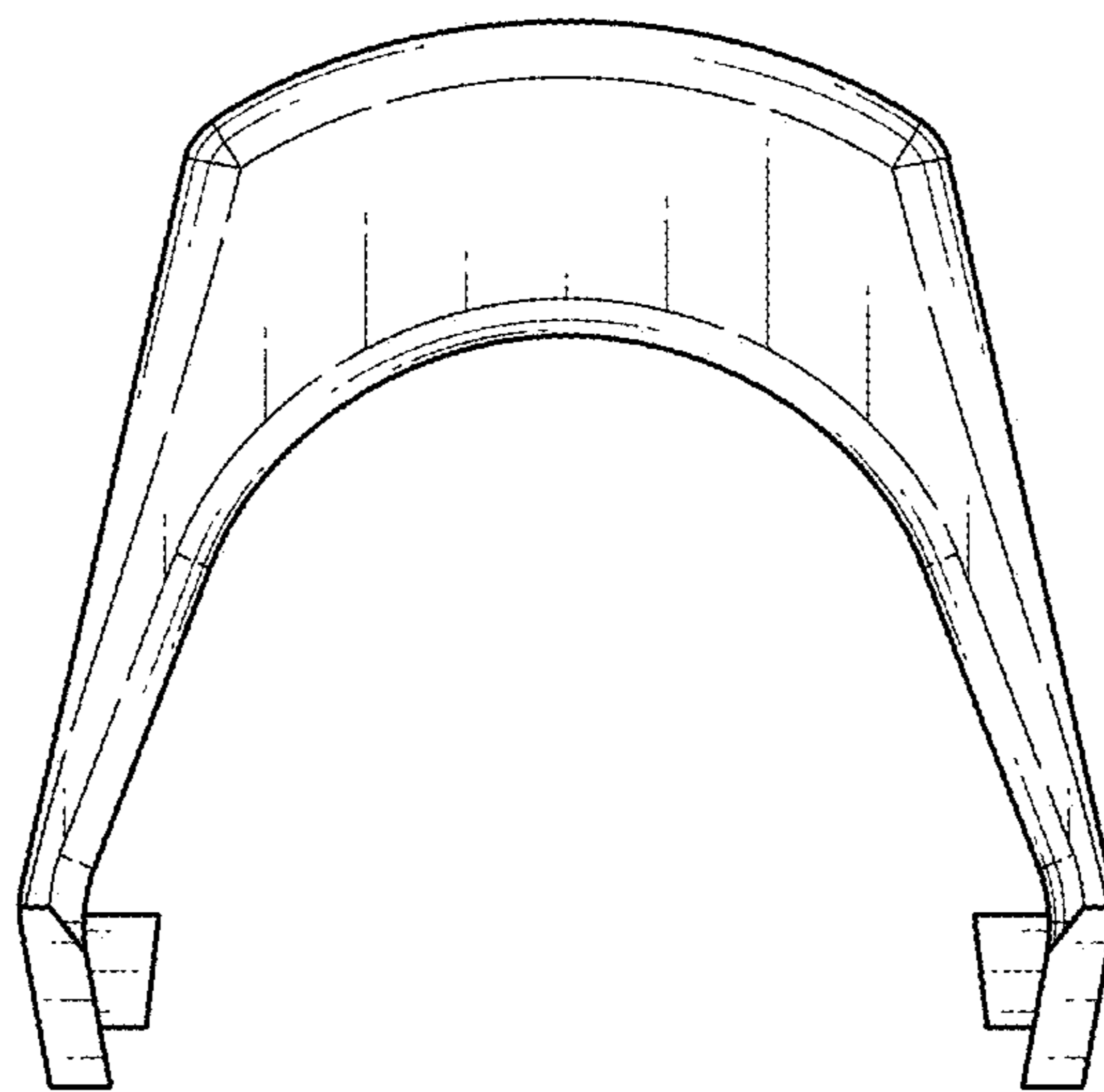


FIG. 12



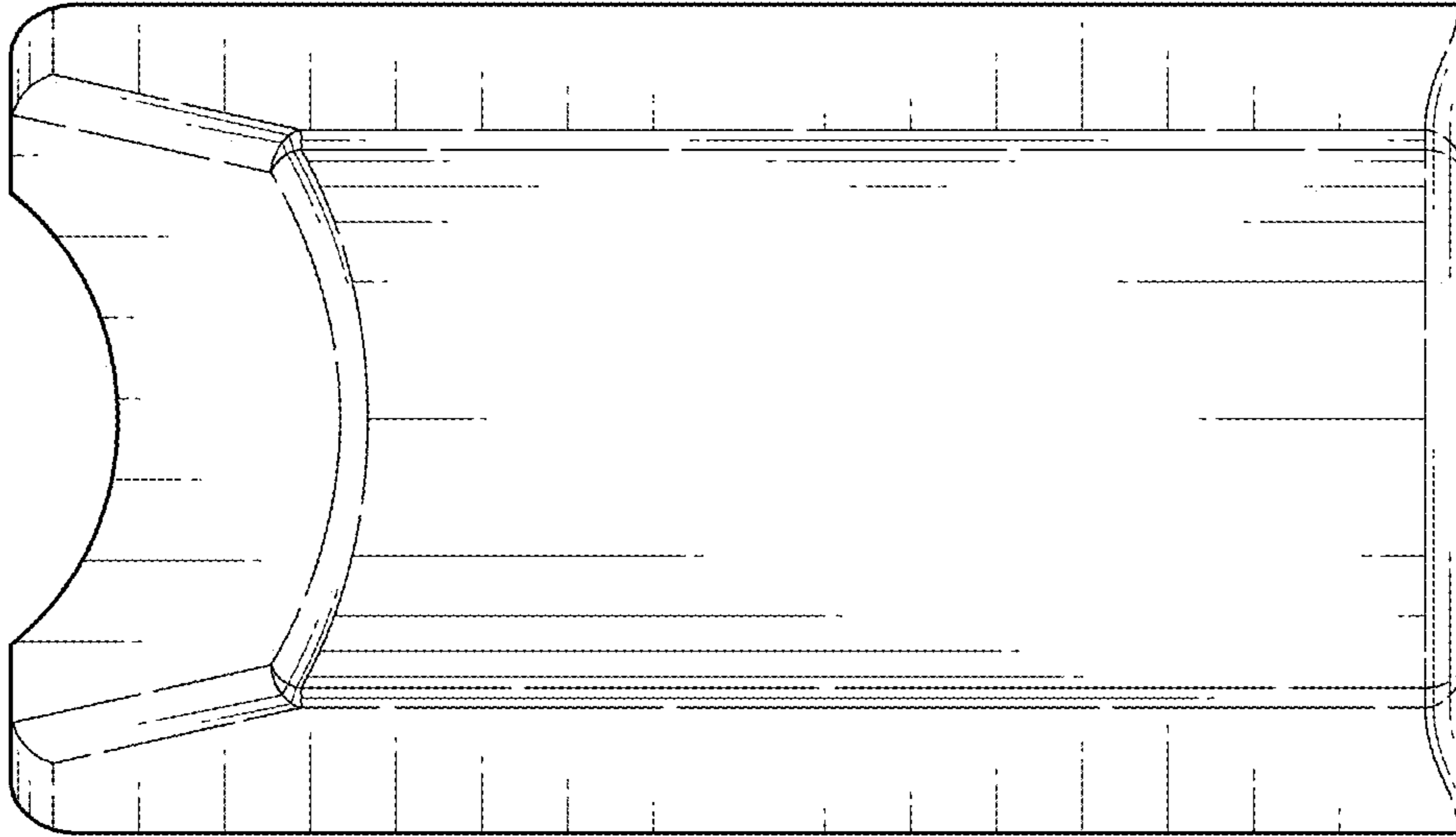


FIG. 13

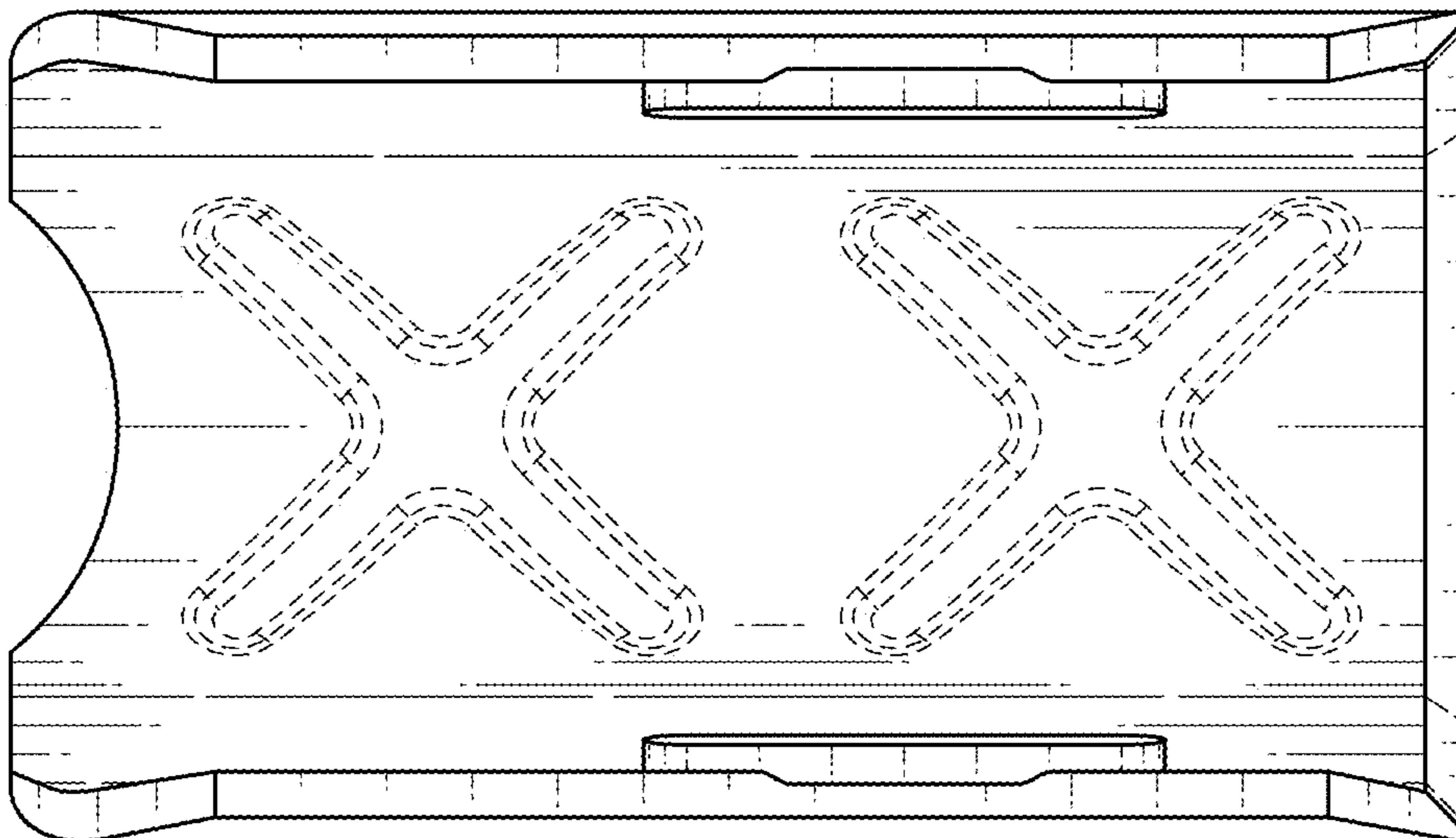


FIG. 14

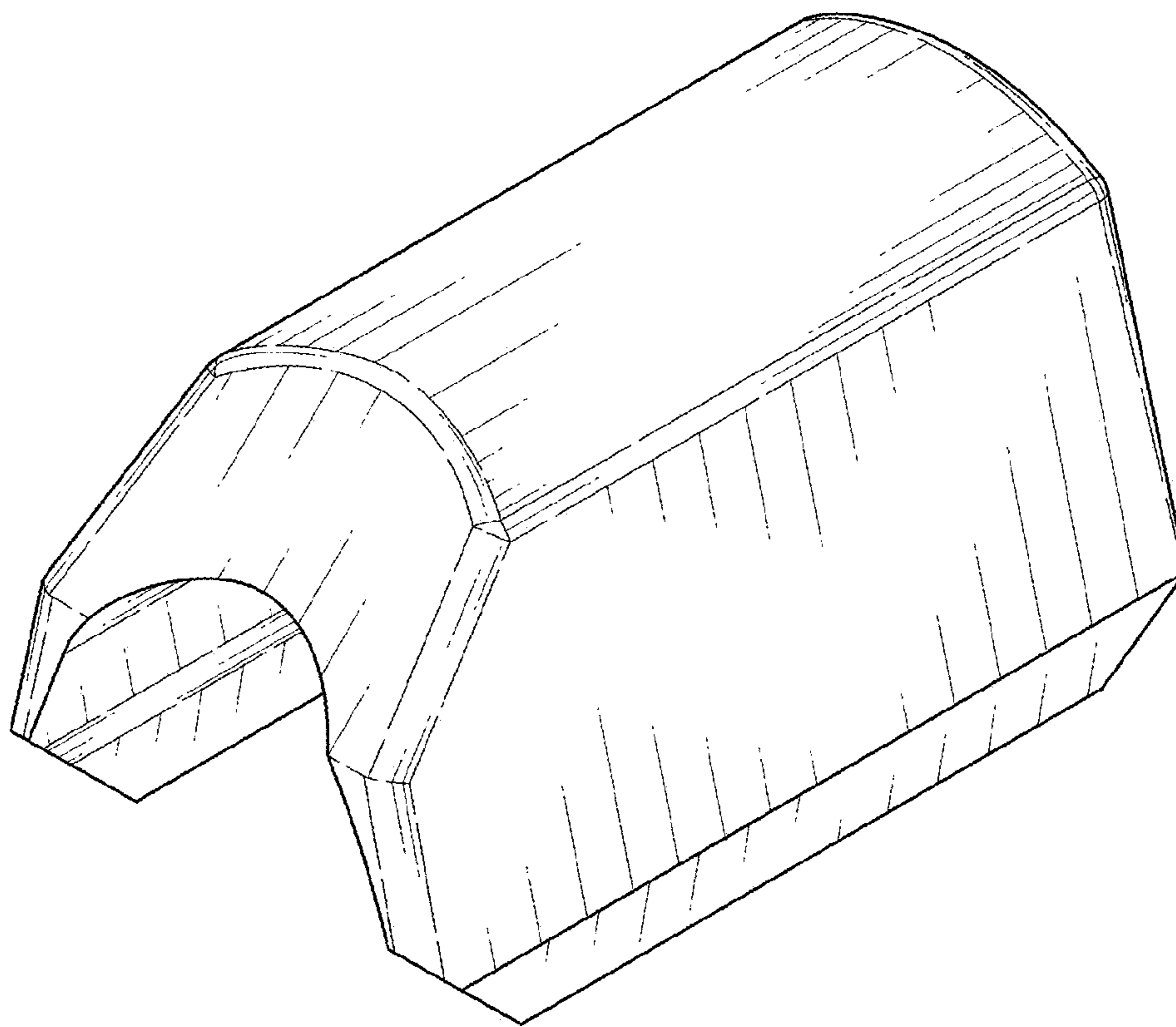


FIG. 15

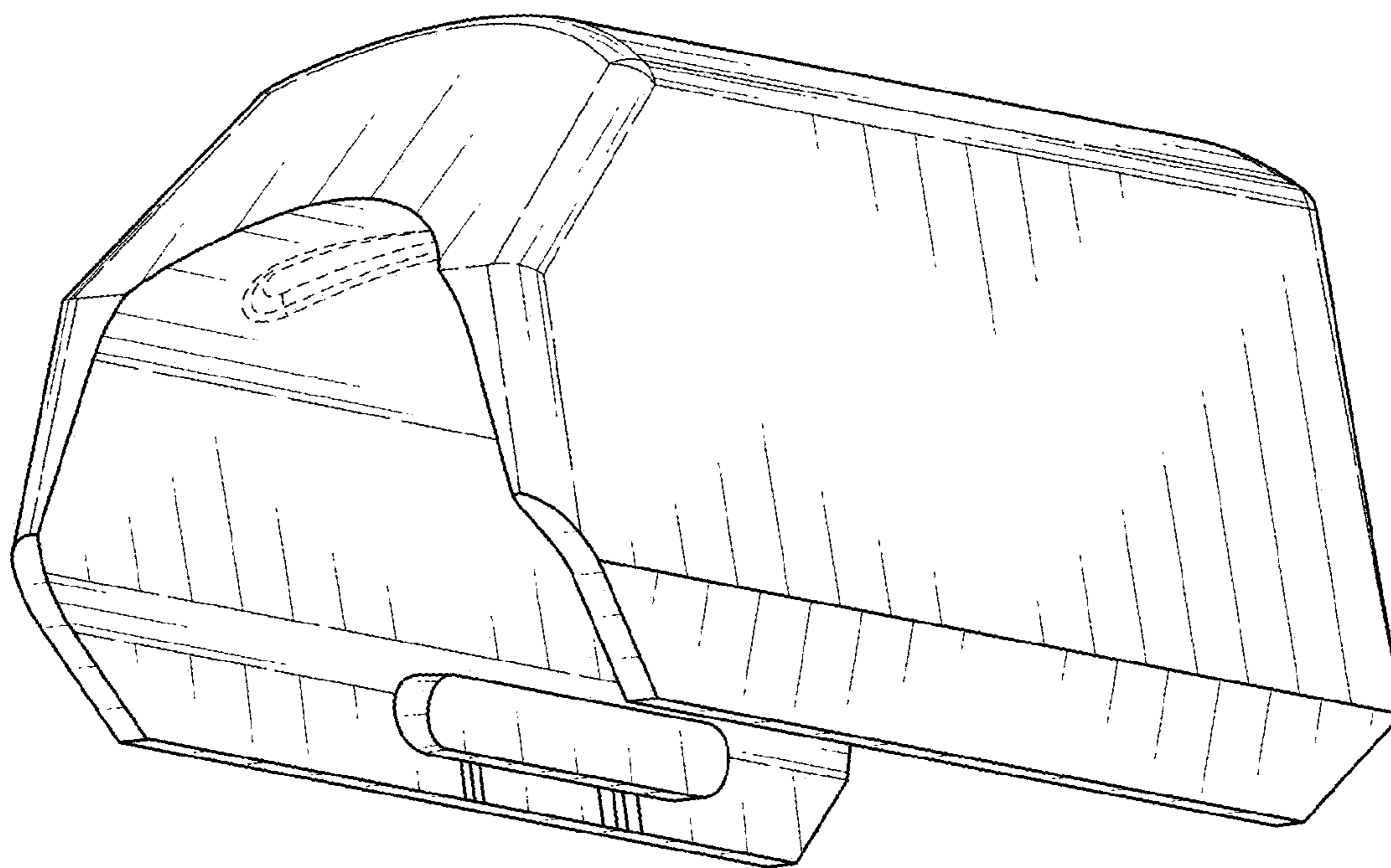


FIG. 16

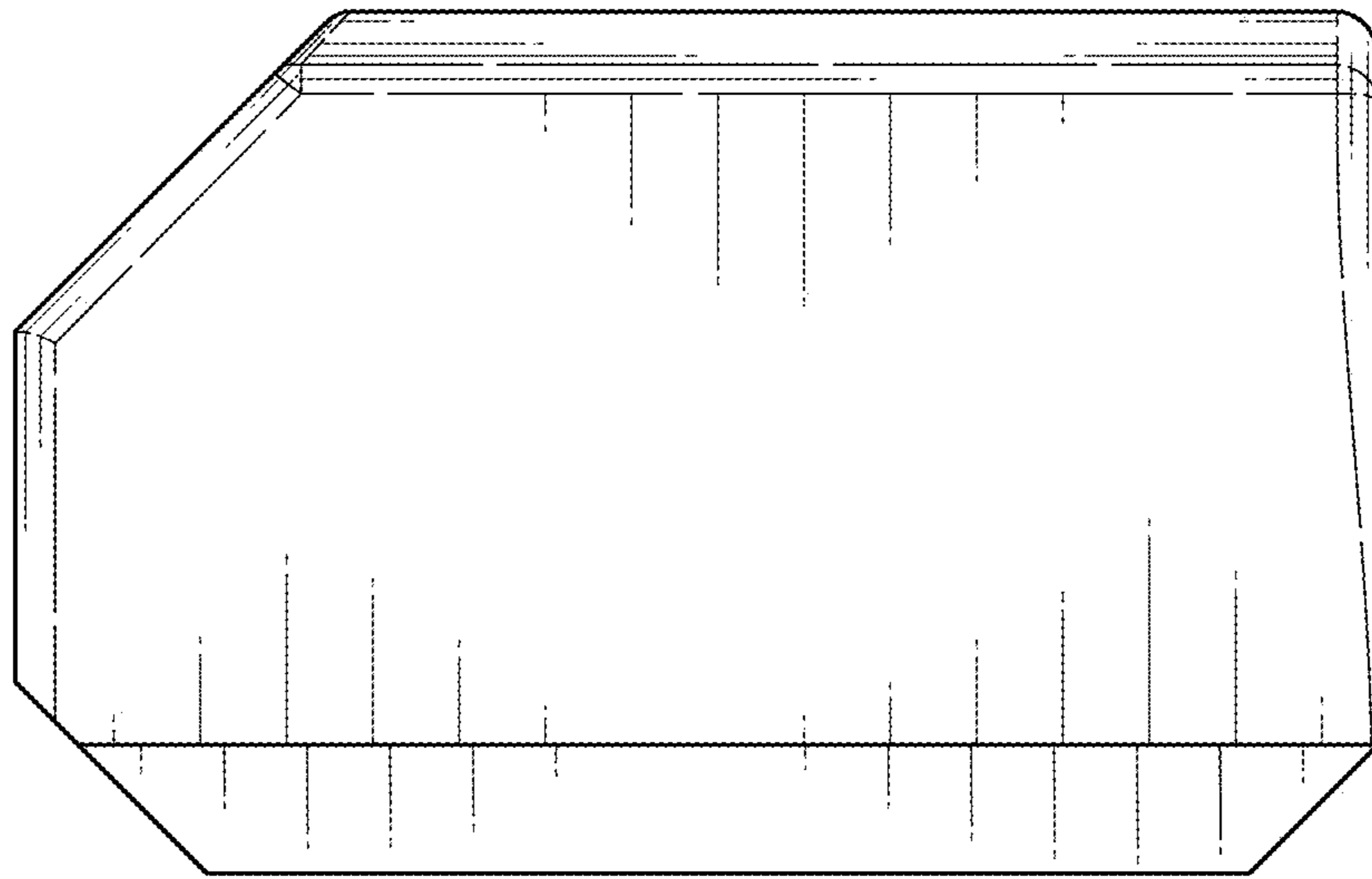


FIG. 17

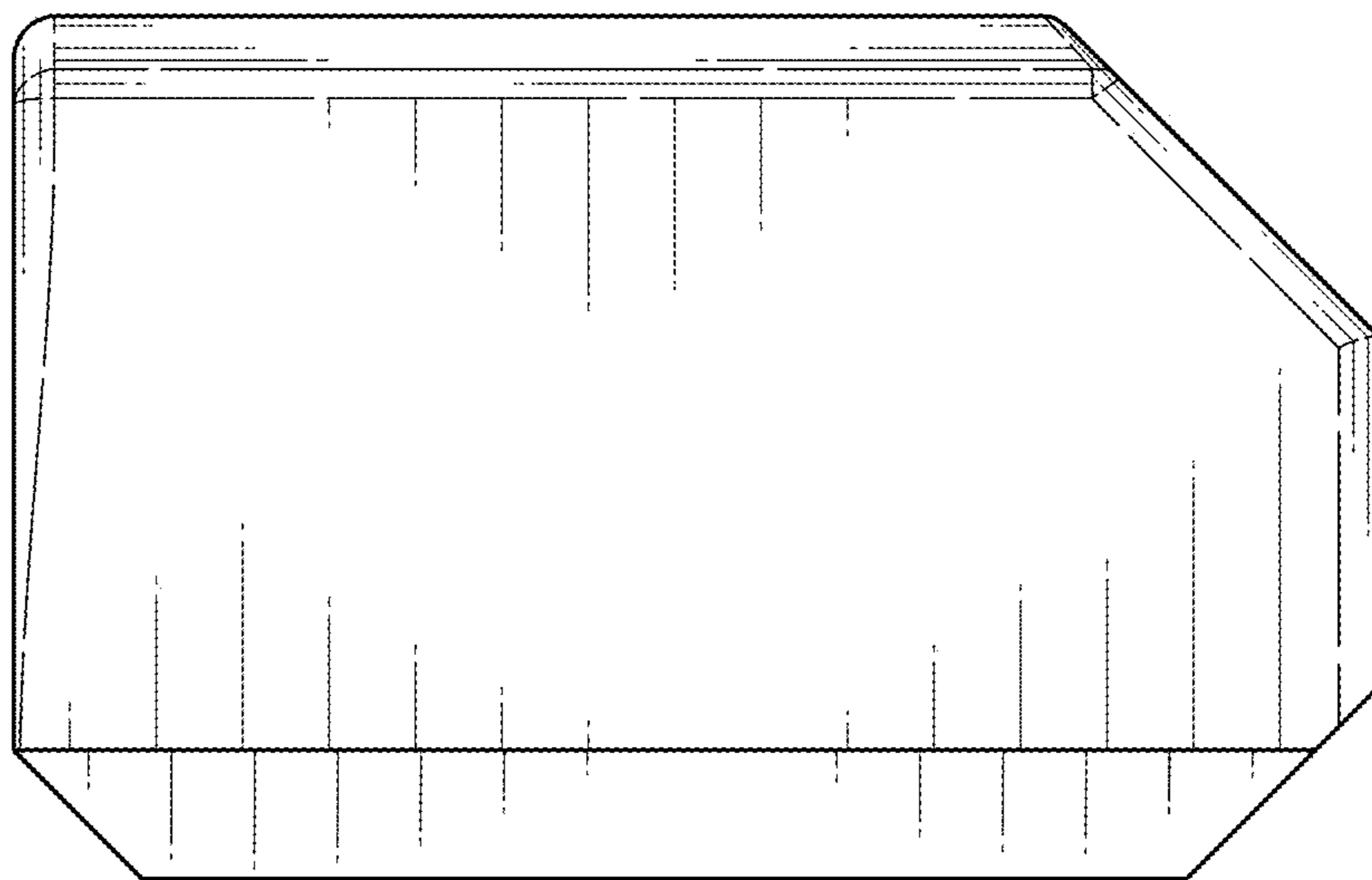


FIG. 18

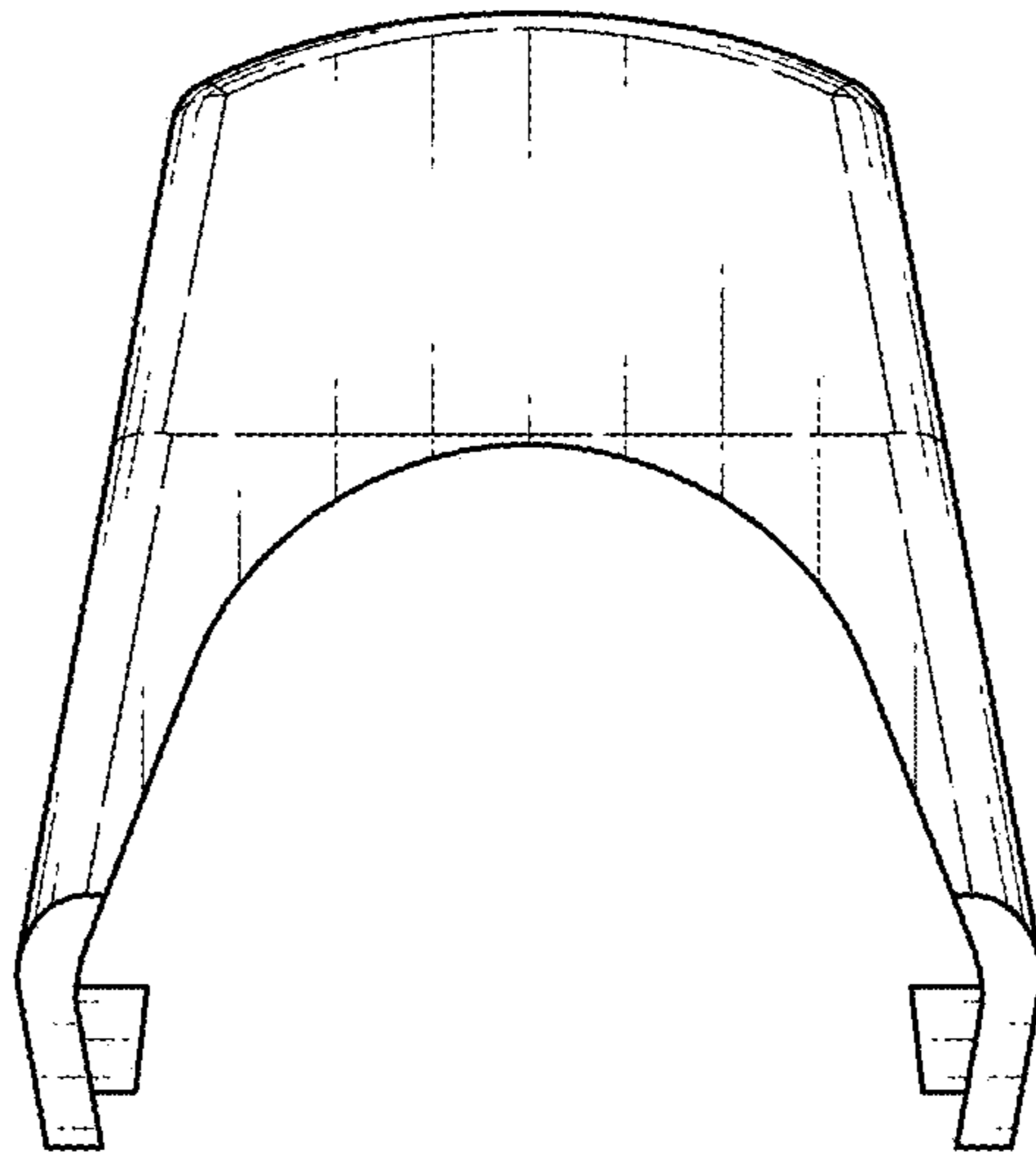


FIG. 19

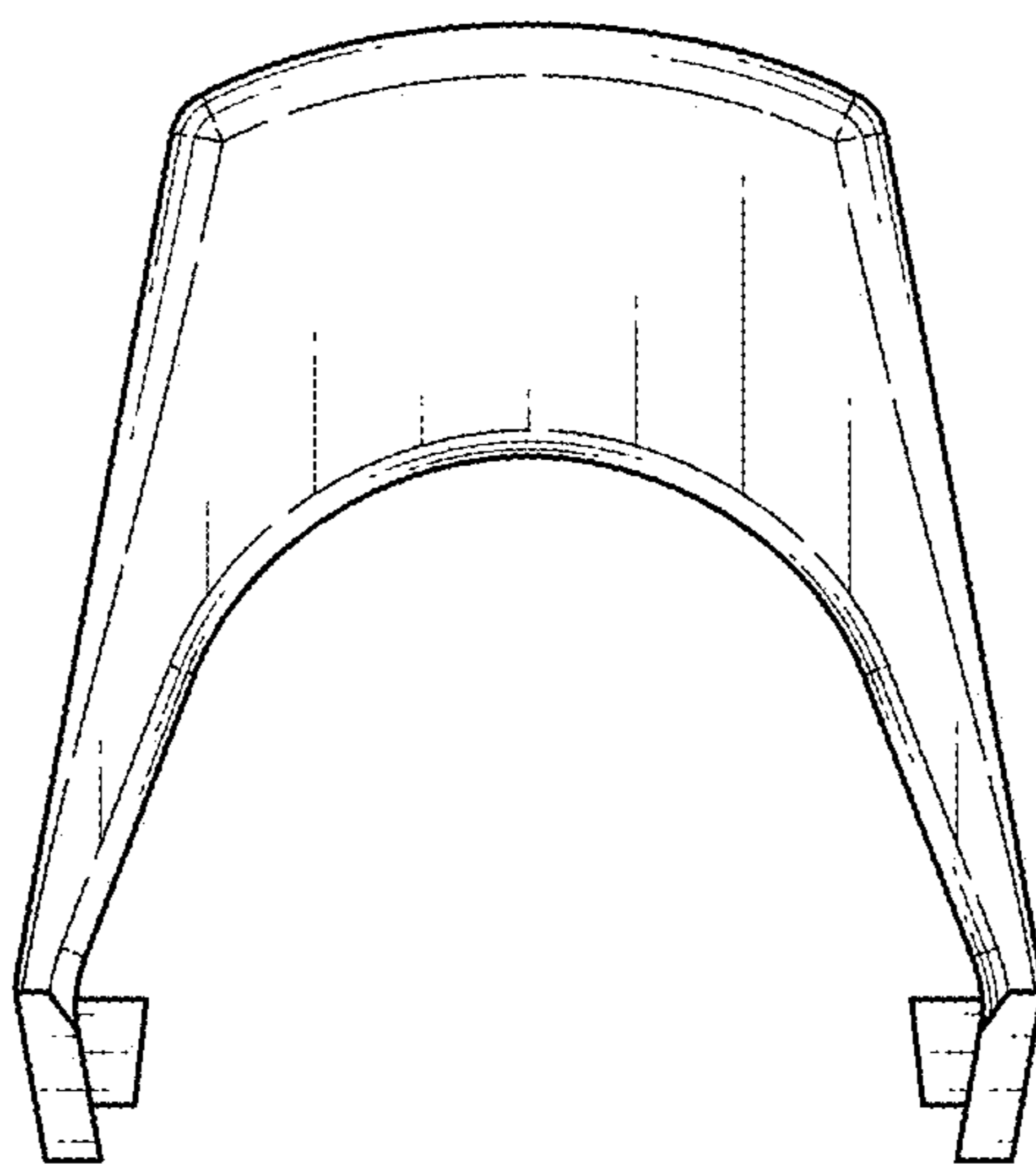


FIG. 20

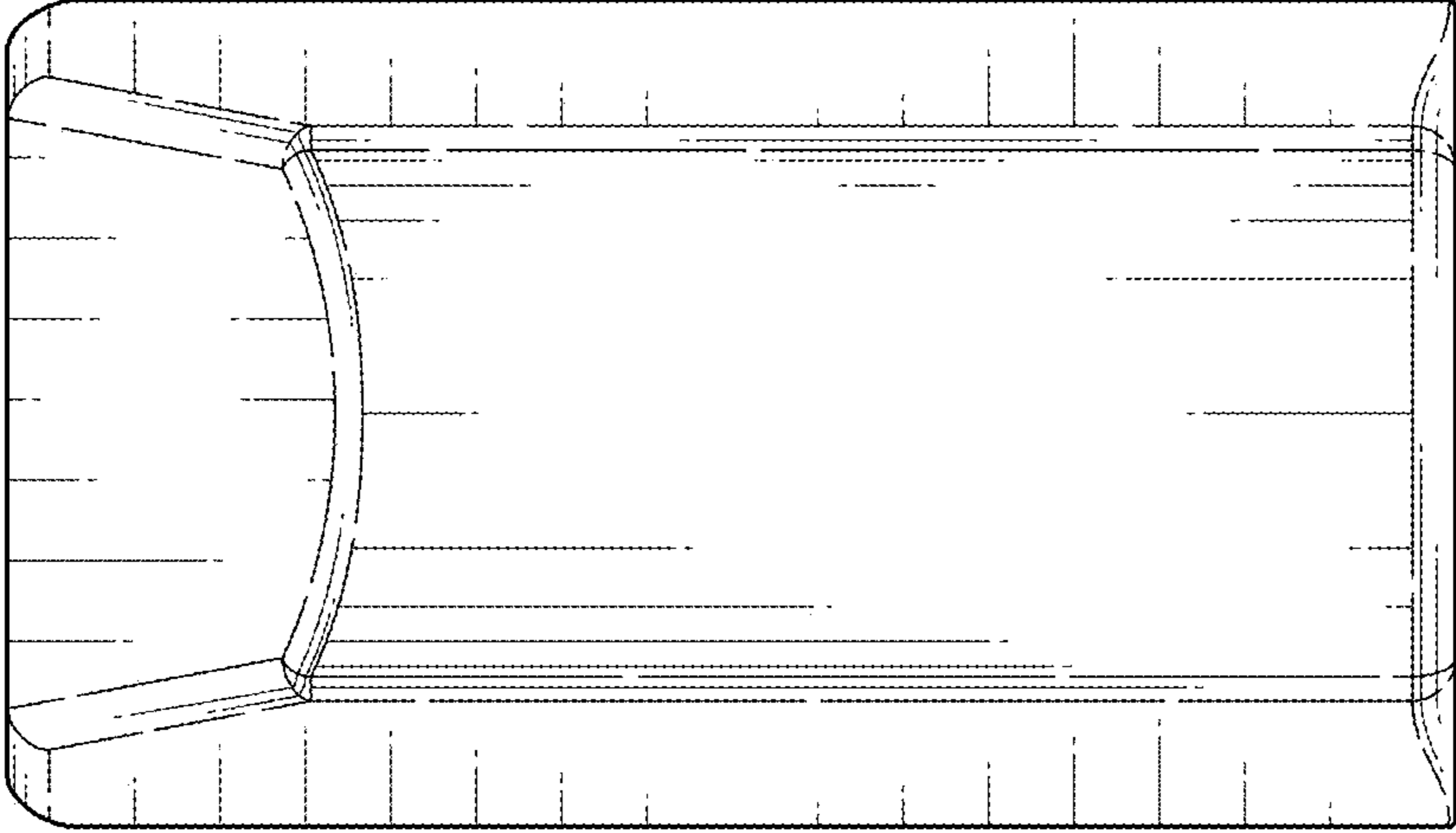


FIG. 21

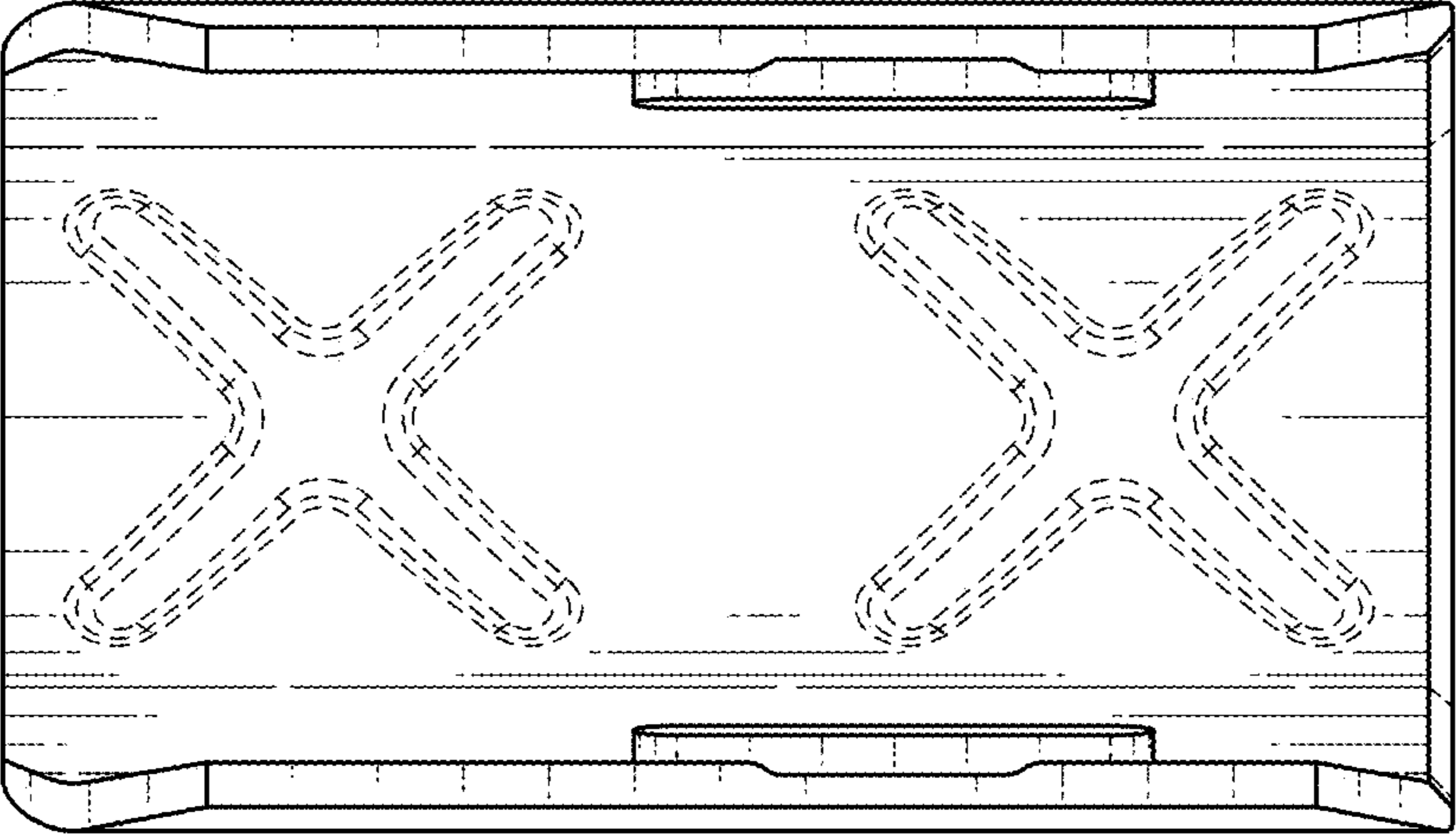


FIG. 22



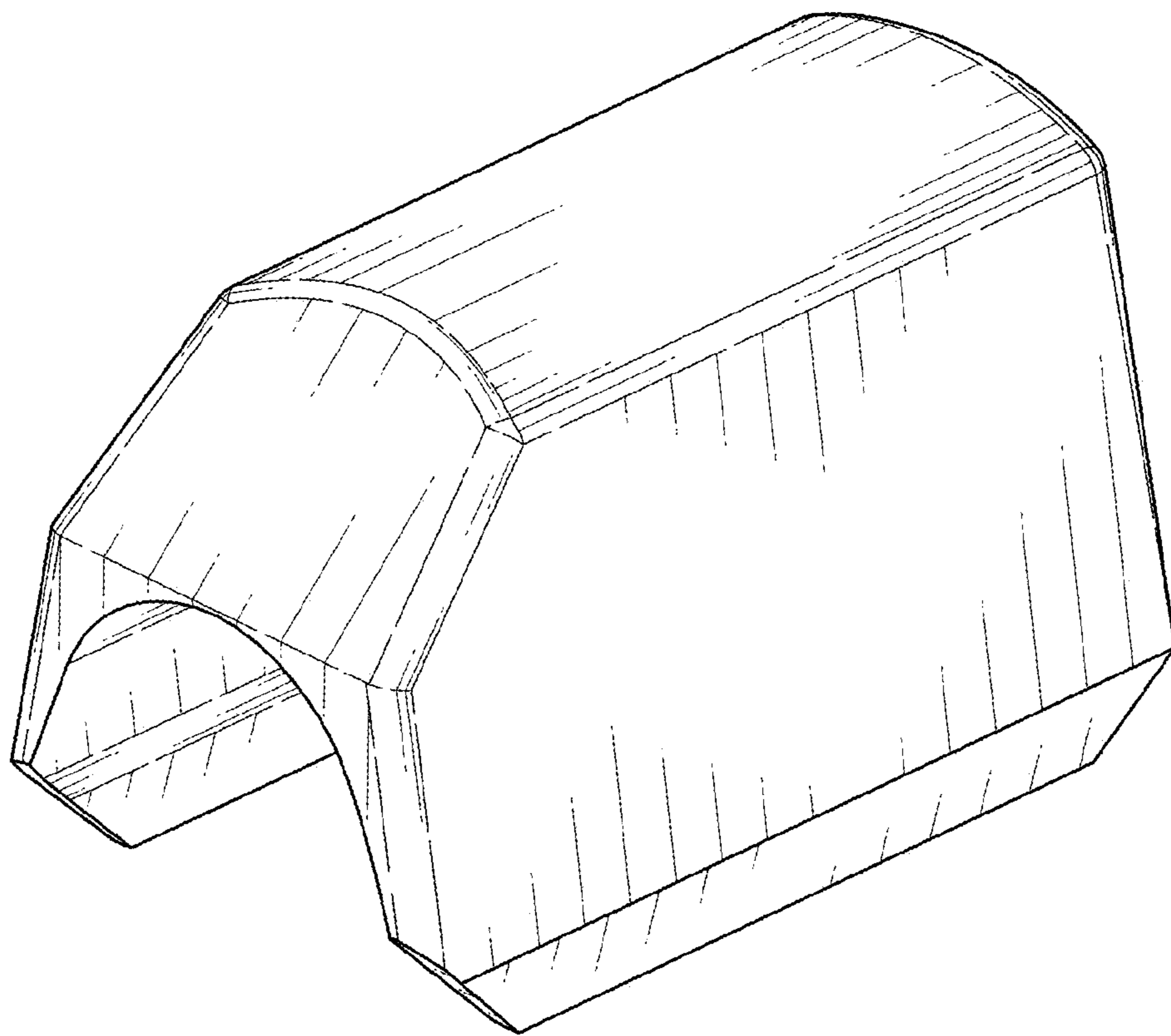


FIG. 23

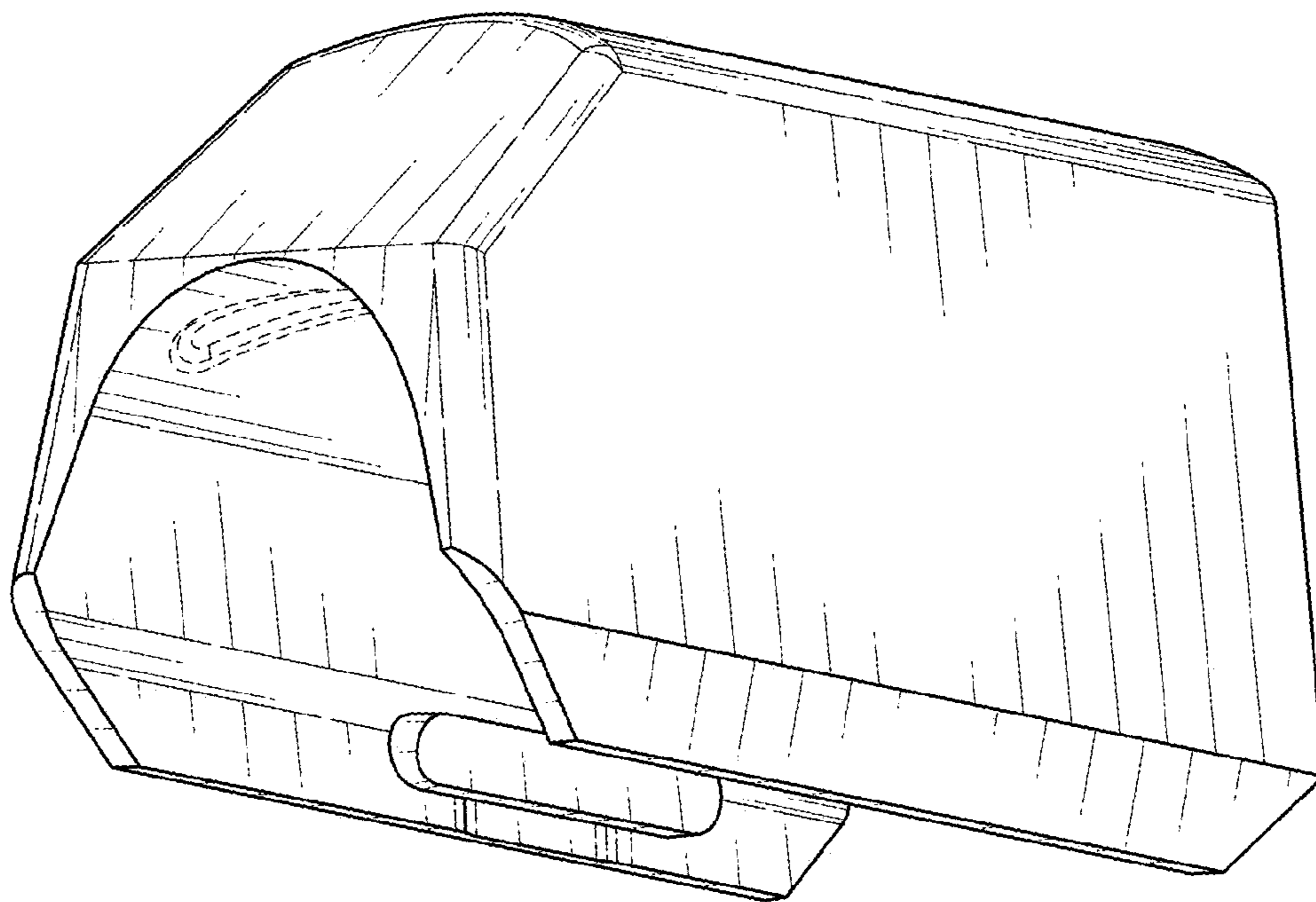


FIG. 24