



US0D1020945S

(12) **United States Design Patent**
Barnes et al.

(10) **Patent No.: US D1,020,945 S**

(45) **Date of Patent: ** Apr. 2, 2024**

(54) **PADDLE**

(71) Applicant: **Selkirk Sport, LLC**, Coeur d'Alene, ID (US)

(72) Inventors: **Robert James Barnes**, Hayden, ID (US); **Michael James Barnes**, Coeur d'Alene, ID (US); **James Francis Barnes**, Hayden, ID (US)

(73) Assignee: **Selkirk Sport, LLC**, Coeur d'Alene, ID (US)

(**) Term: **15 Years**

(21) Appl. No.: **29/823,738**

(22) Filed: **Jan. 19, 2022**

(51) **LOC (14) Cl.** **21-02**

(52) **U.S. Cl.**
USPC **D21/731**

(58) **Field of Classification Search**

USPC D21/729-732

CPC A63B 49/00-49/14; A63B 2049/0201-2049/103; A63B 59/80; A63B 59/00; A63B 59/40; A63B 59/42; A63B 59/45; A63B 60/00; A63B 60/46; A63B 51/00; A63B 2102/00; A63B 2102/10; A63B 2102/12; A63B 2102/16; A63B 2102/26; A63B 2102/28; A63B 2102/30; A63B 2102/38

See application file for complete search history.

(56) **References Cited**

U.S. PATENT DOCUMENTS

- D64,894 S * 6/1924 Fitzgerald D21/731
- 2,328,366 A * 8/1943 Timmermann A63B 59/45
473/529
- D232,450 S * 8/1974 Chreist et al. D21/730
- D765,196 S * 8/2016 Bonfigli D21/731
- D918,320 S * 5/2021 Torres Porrata D21/731

- D931,961 S * 9/2021 Bonfigli D21/729
- D952,780 S * 5/2022 Bonfigli D21/729
- D977,045 S * 1/2023 Bonfigli D21/729

(Continued)

FOREIGN PATENT DOCUMENTS

CN 308069976 * 6/2023

OTHER PUBLICATIONS

Aliexpress.com; Amasport pickleball paddle; Aug. 16, 2023.*

(Continued)

Primary Examiner — Mitchell I. Siegel

(74) *Attorney, Agent, or Firm* — Lee & Hayes P.C.

(57) **CLAIM**

The ornamental design for a paddle, as shown and described.

DESCRIPTION

FIG. 1 is a top perspective view of a first embodiment of a paddle;

FIG. 2 is a front view thereof;

FIG. 3 is a back view thereof;

FIG. 4 is a left-side view thereof;

FIG. 5 is a right-side view thereof;

FIG. 6 is a top view thereof;

FIG. 7 is a bottom view thereof;

FIG. 8 is an enlarged view of the area marked "FIG. 8" in FIG. 1;

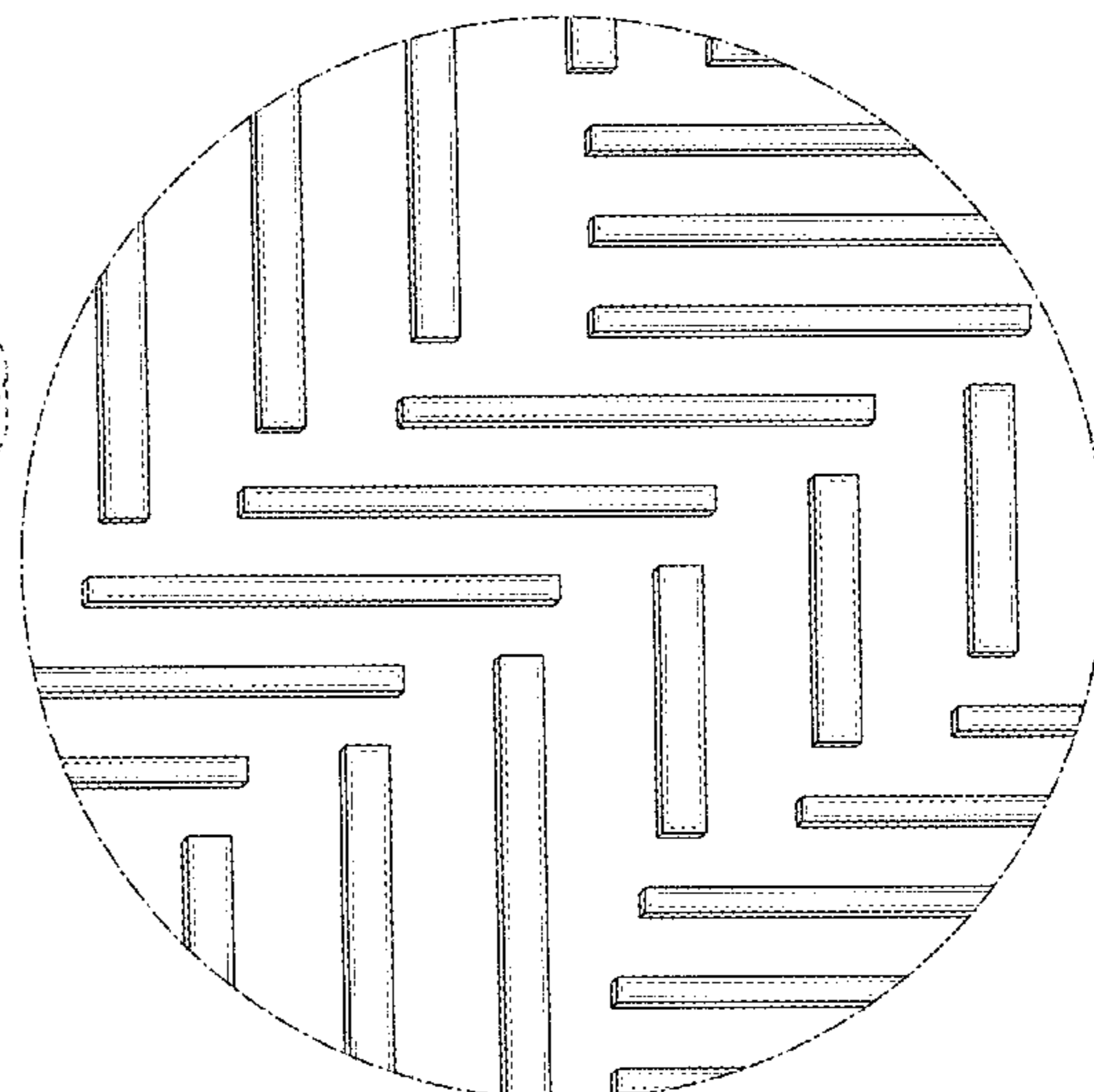
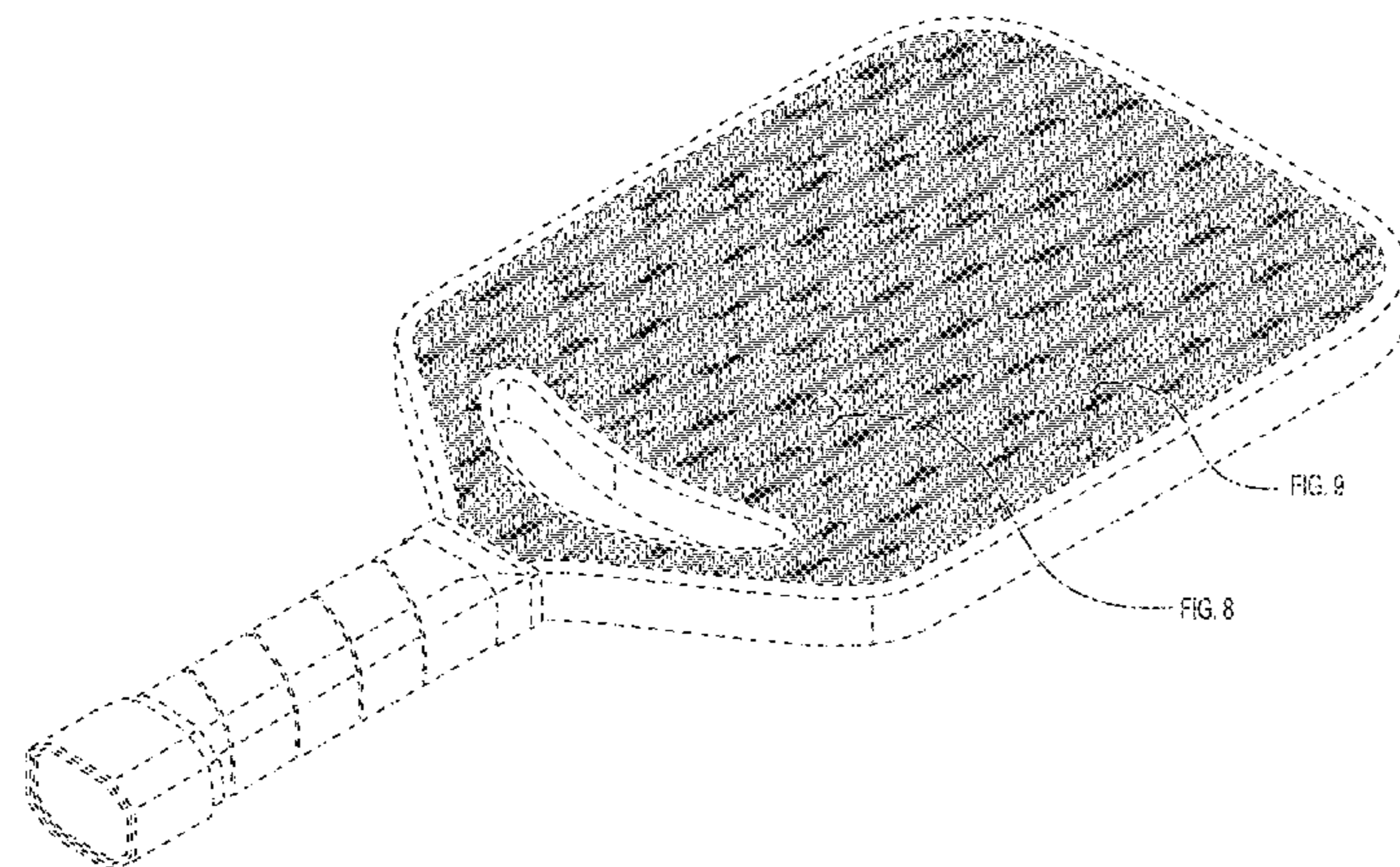
FIG. 9 is an enlarged view of the area marked "FIG. 9" in FIG. 1;

FIG. 10 is an enlarged view of the area marked "FIG. 10" in FIG. 2; and,

FIG. 11 is an enlarged view of the area marked "FIG. 11" in FIG. 2.

The dashed broken lines depict portions of the paddle which form no part of the claimed design. The dot-dashed broken lines represent boundaries of the claimed paddle and form no part of the claimed design.

1 Claim, 11 Drawing Sheets



(56)

References Cited

U.S. PATENT DOCUMENTS

2022/0032141 A1* 2/2022 Brents A63B 60/54
2023/0191215 A1* 6/2023 Barnes A63B 59/42
473/527

OTHER PUBLICATIONS

pickleballsuperstore.com; Selkirk pickleball paddle; Aug. 16, 2023.*
Pickleball paddle google search; google.com; Aug. 16, 2023.*
Pickleball paddle surface texture google search; google.com; Aug.
16, 2023.*

* cited by examiner

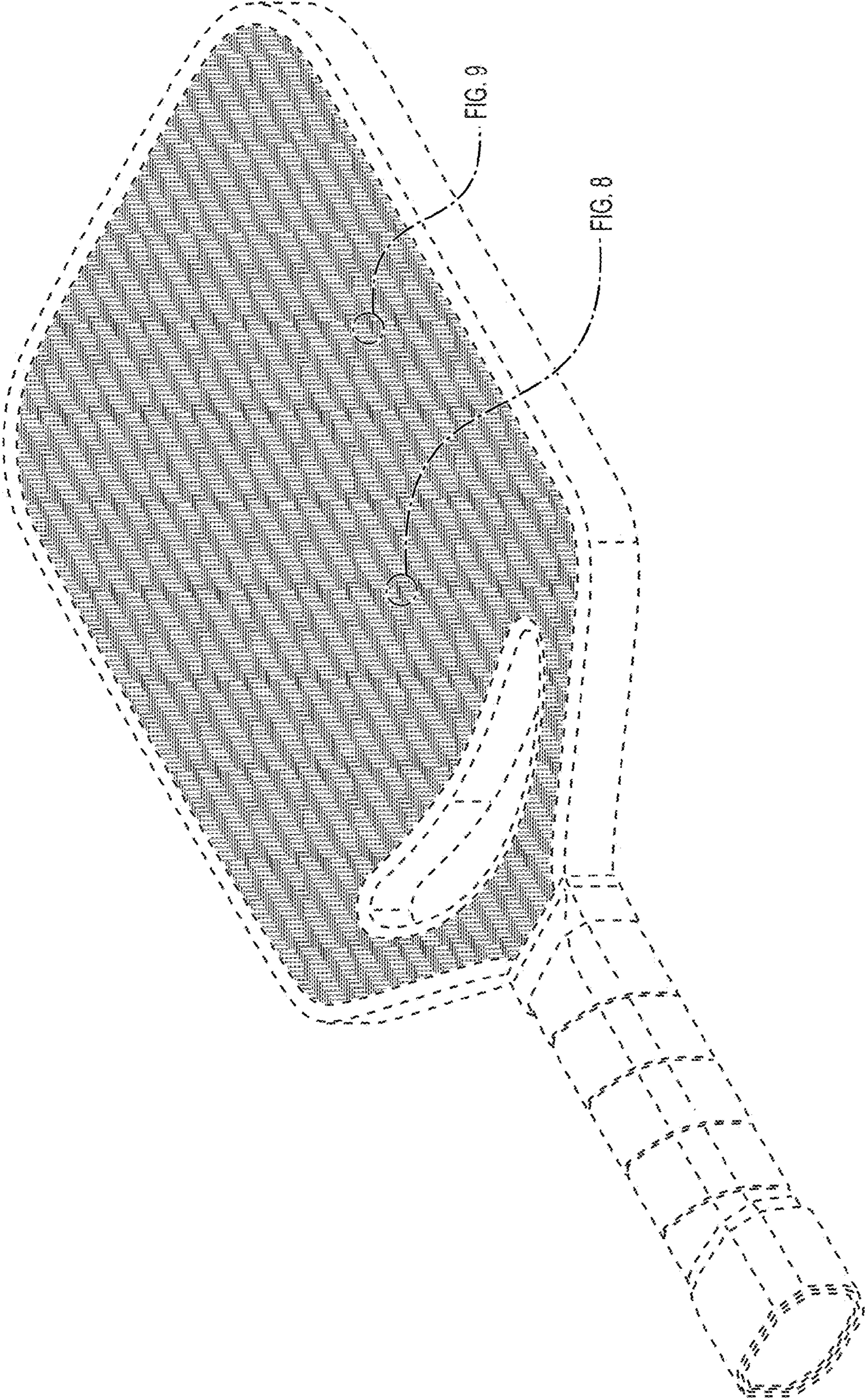


FIG. 1

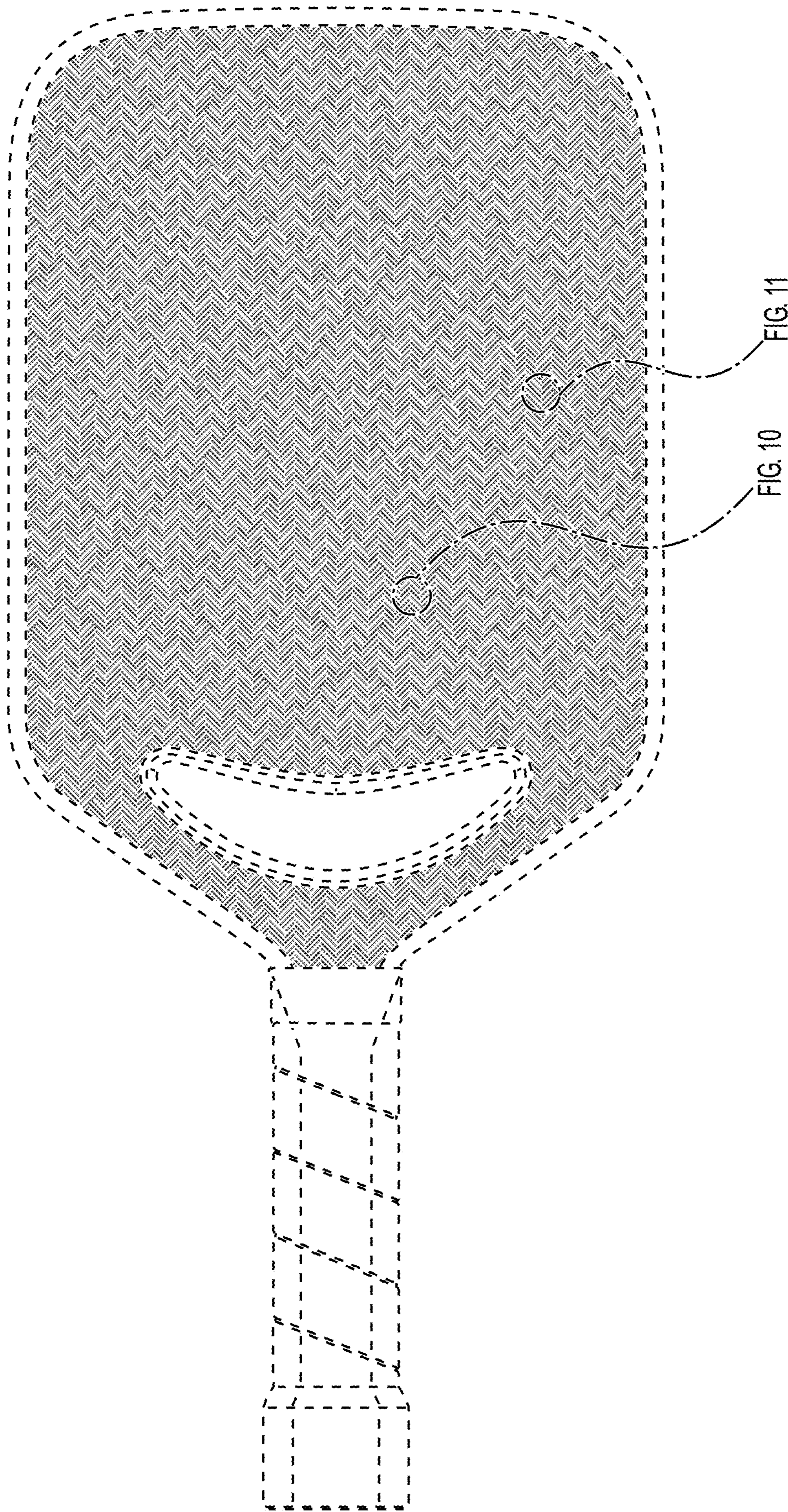


FIG. 2

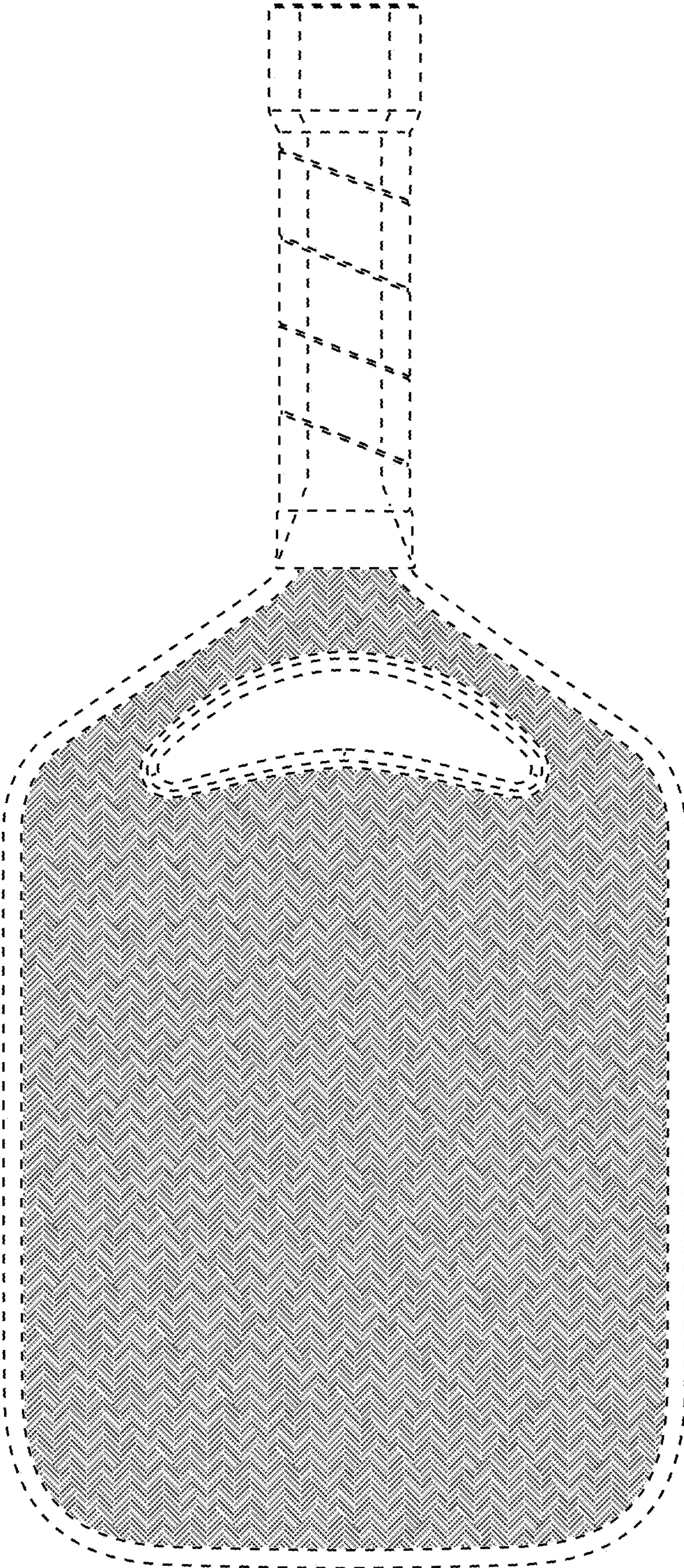


FIG. 3

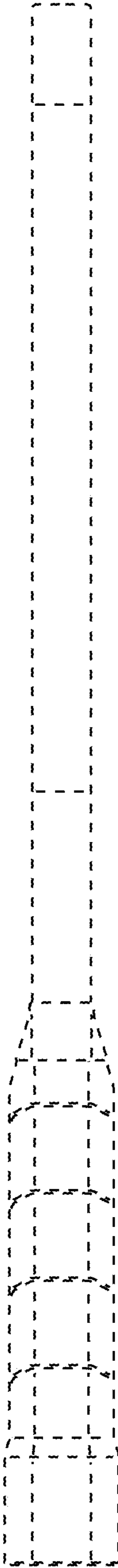


FIG. 4



FIG. 5

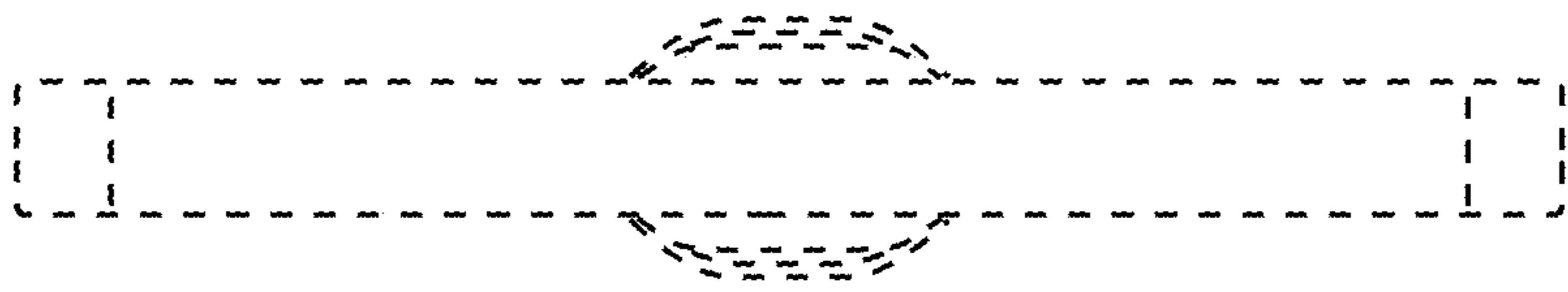


FIG. 6

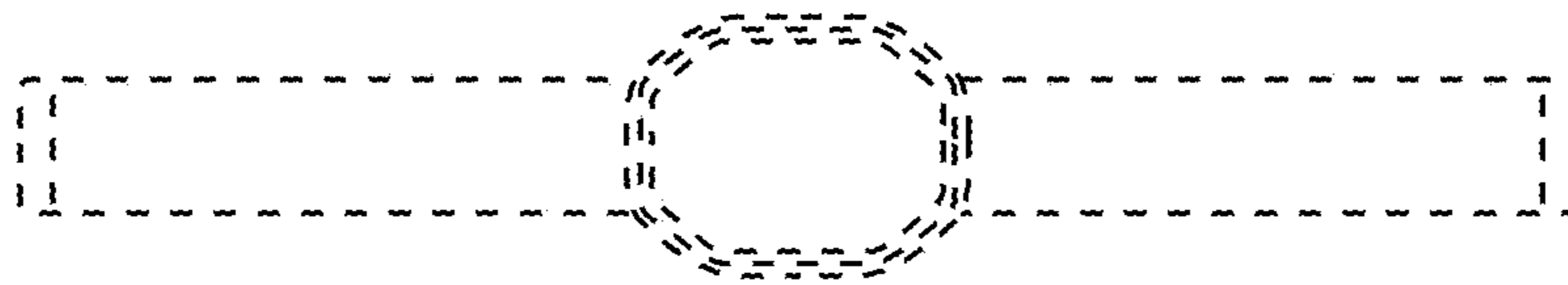


FIG. 7

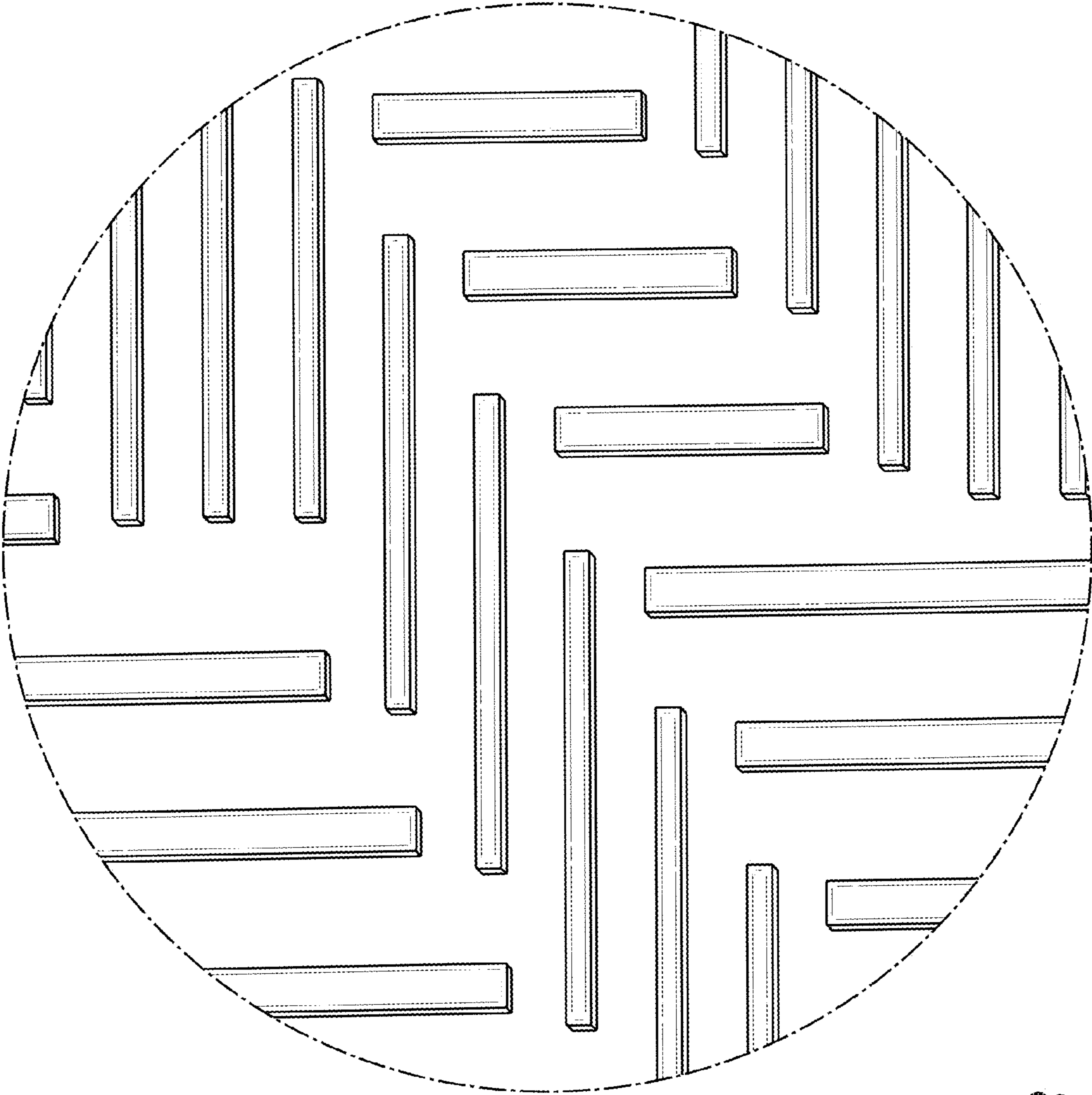


FIG. 8

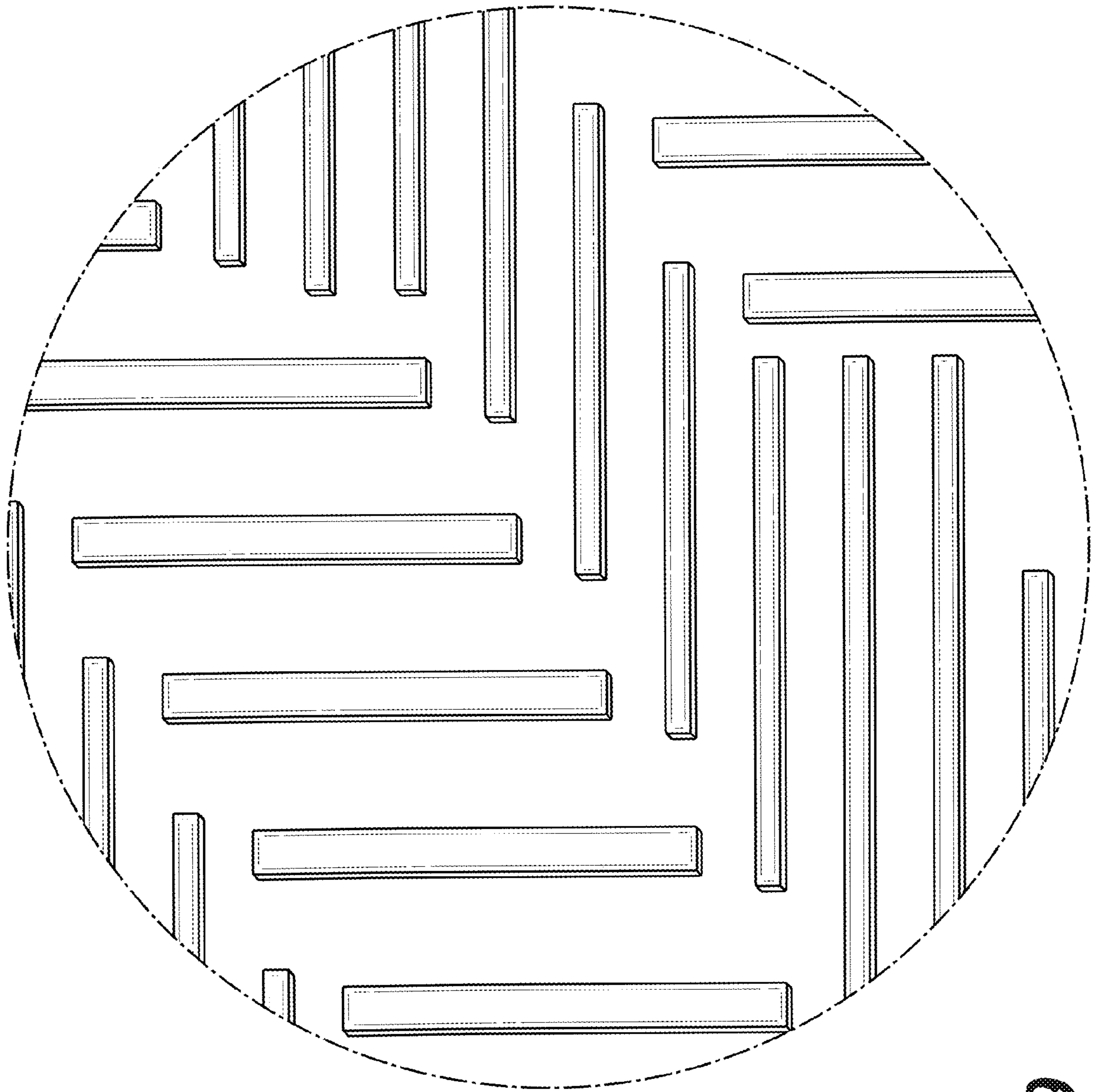


FIG. 9

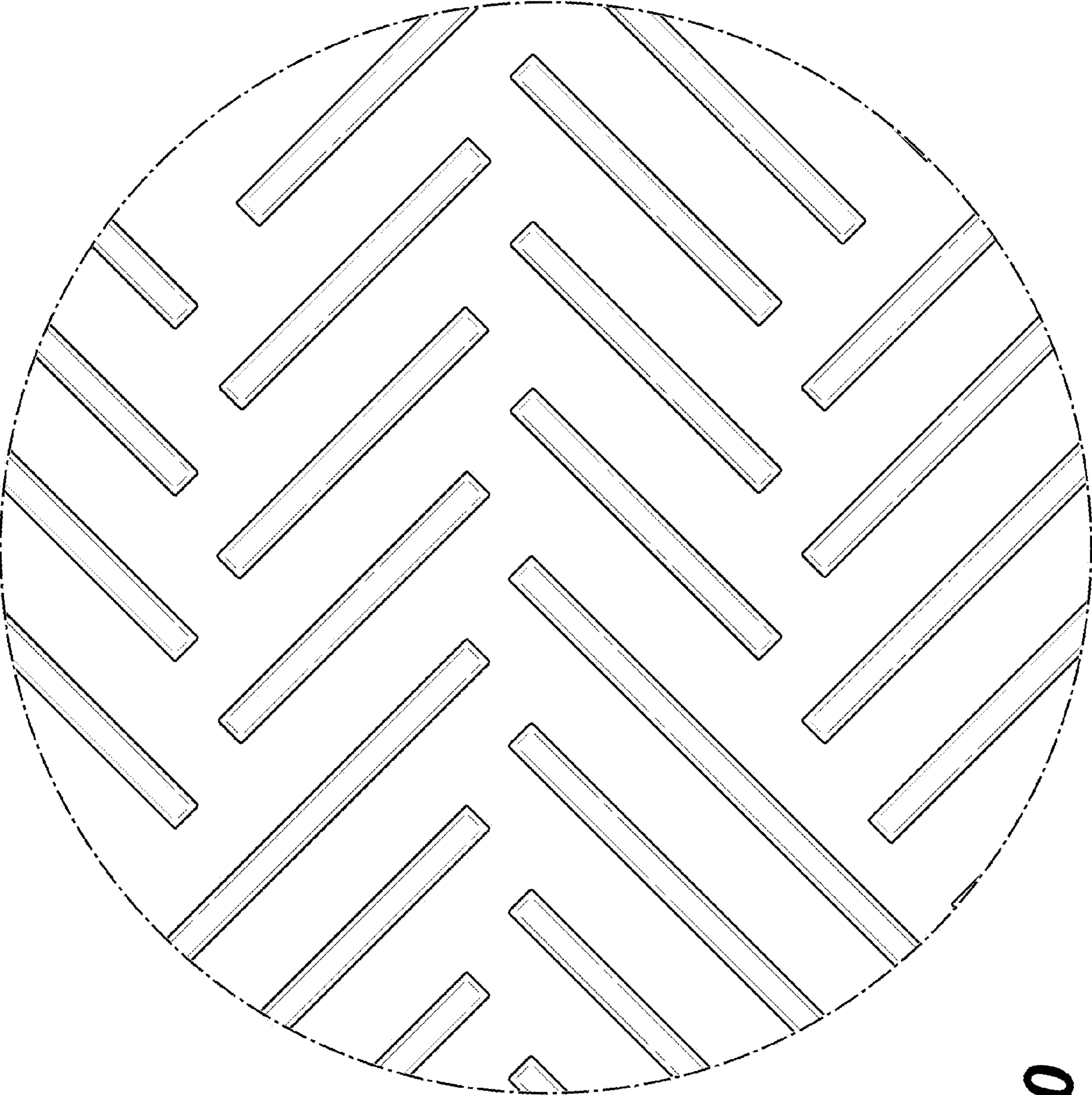


FIG. 10

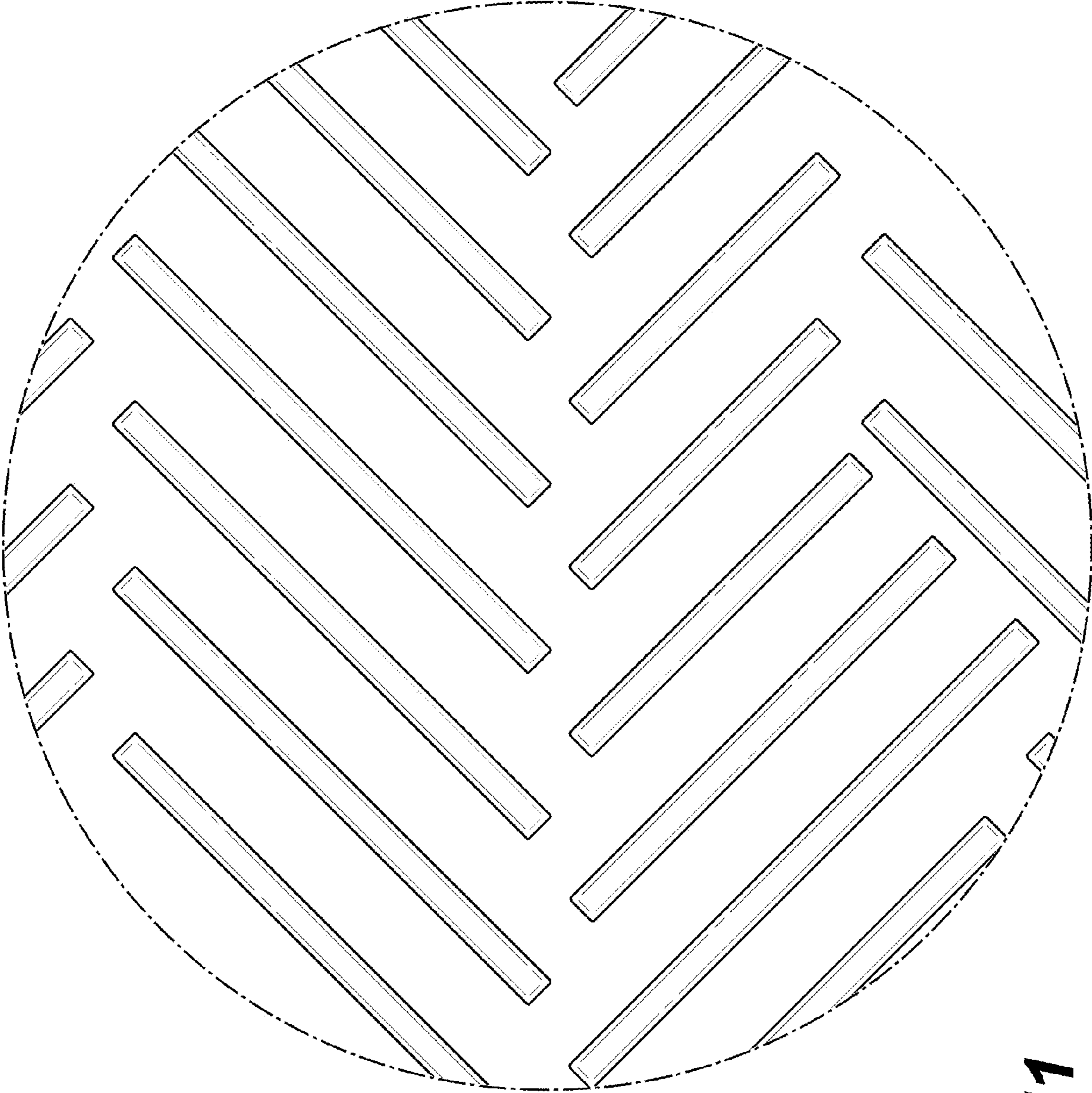


FIG. 11