



US0D1020923S

(12) **United States Design Patent** (10) **Patent No.:** **US D1,020,923 S**
Healy (45) **Date of Patent:** **** Apr. 2, 2024**

(54) **MODULAR PLAYHOUSE**
(71) Applicant: **Lovevery, Inc.**, Boise, ID (US)
(72) Inventor: **John Patrick Healy**, Boise, ID (US)
(73) Assignee: **Lovevery, Inc.**, Boise, ID (US)
(**) Term: **15 Years**
(21) Appl. No.: **29/794,647**
(22) Filed: **Jun. 14, 2021**
(51) **LOC (14) Cl.** **21-01**
(52) **U.S. Cl.**
USPC **D21/511**; D21/506; D21/483
(58) **Field of Classification Search**
USPC D21/483, 506, 507, 509, 511, 820;
D25/33; D30/111, 112
(Continued)

(56) **References Cited**
U.S. PATENT DOCUMENTS
D245,639 S * 8/1977 Powell, Jr. D21/511
D251,265 S * 3/1979 Shorten D21/511
(Continued)

FOREIGN PATENT DOCUMENTS
CN 305689829 * 4/2020
JP D1718499 * 6/2022
WO WOD223730-001 * 5/2023

OTHER PUBLICATIONS
Lovevery Website, Lovevery Observer Play Kit, No Available Date
[Website Visited May 26, 2023] Available on the Internet URL
<https://lovevery.com/products/the-play-kits-the-observer> (Year: 2023).
(Continued)

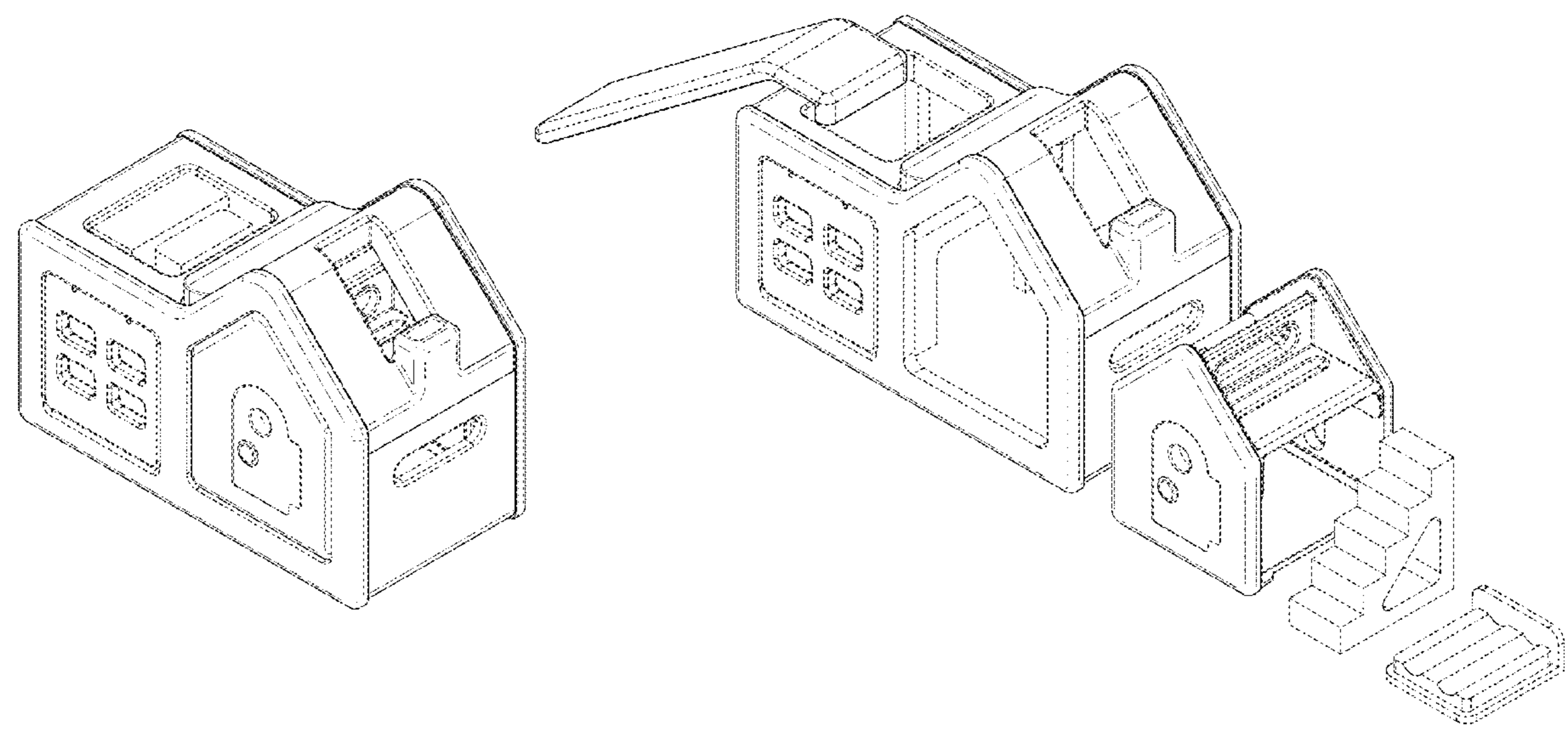
Assistant Examiner — James T Tyree
(74) *Attorney, Agent, or Firm* — Fish & Richardson P.C.

(57) **CLAIM**
The ornamental design for a modular playhouse, as shown and described.

DESCRIPTION
FIG. 1 is a front top perspective view of my modular playhouse in an assembled configuration;
FIG. 2 is a front top perspective view of my modular playhouse in a disassembled configuration;
FIG. 3 is a front top perspective view of a first element of my modular playhouse;
FIG. 4 is a front view thereof;
FIG. 5 is a rear view thereof;
FIG. 6 is a right side view thereof;
FIG. 7 is a left side view thereof;
FIG. 8 is a top view thereof;
FIG. 9 is a bottom view thereof;
FIG. 10 is a front top perspective view of a second element of my modular playhouse;
FIG. 11 is a front view thereof;
FIG. 12 is a rear view thereof;
FIG. 13 is a right side view thereof;
FIG. 14 is a left side view thereof;
FIG. 15 is a top view thereof;
FIG. 16 is a bottom view thereof;
FIG. 17 is a front top perspective view of a third element of my modular playhouse;
FIG. 18 is a front view thereof;
FIG. 19 is a rear view thereof;
FIG. 20 is a right side view thereof;
FIG. 21 is a left side view thereof;
FIG. 22 is a top view thereof; and
FIG. 23 is a bottom view thereof.
The broken lines and the areas within them illustrate portions of the modular playhouse that form no part of the claimed design.

Primary Examiner — S. Bryan Reinholdt, Jr.

1 Claim, 23 Drawing Sheets



(58) **Field of Classification Search**

CPC A63H 3/52
See application file for complete search history.

(56) **References Cited**

U.S. PATENT DOCUMENTS

4,978,301 A * 12/1990 Dodge A63H 33/06
434/96
5,890,338 A * 4/1999 Rodriguez-Ferre
A63H 33/008
52/36.2
D432,593 S * 10/2000 Naughton D21/511
D450,357 S * 11/2001 Yamazaki D21/511
D710,458 S * 8/2014 Kawashima D21/506
D714,879 S * 10/2014 Lebas D21/511

OTHER PUBLICATIONS

Target Website, Li'l Woodzeez Country House, No Available Date
[Website Visited May 26, 2023] Available on the Internet URL
<https://www.target.com/p/li-39-l-woodzeez-country-house-8211-8pc-toy-house-playset/-/A-80210502> (Year: 2023).*

Amazon Website, StonKraft Puzzle Beach House, Earliest Com-
ment Date: Mar. 30, 2018 [Website Visited May 26, 2023] Available
on the Internet URL <https://www.amazon.com/dp/B0757XK135/>
(Year: 2018).*

* cited by examiner

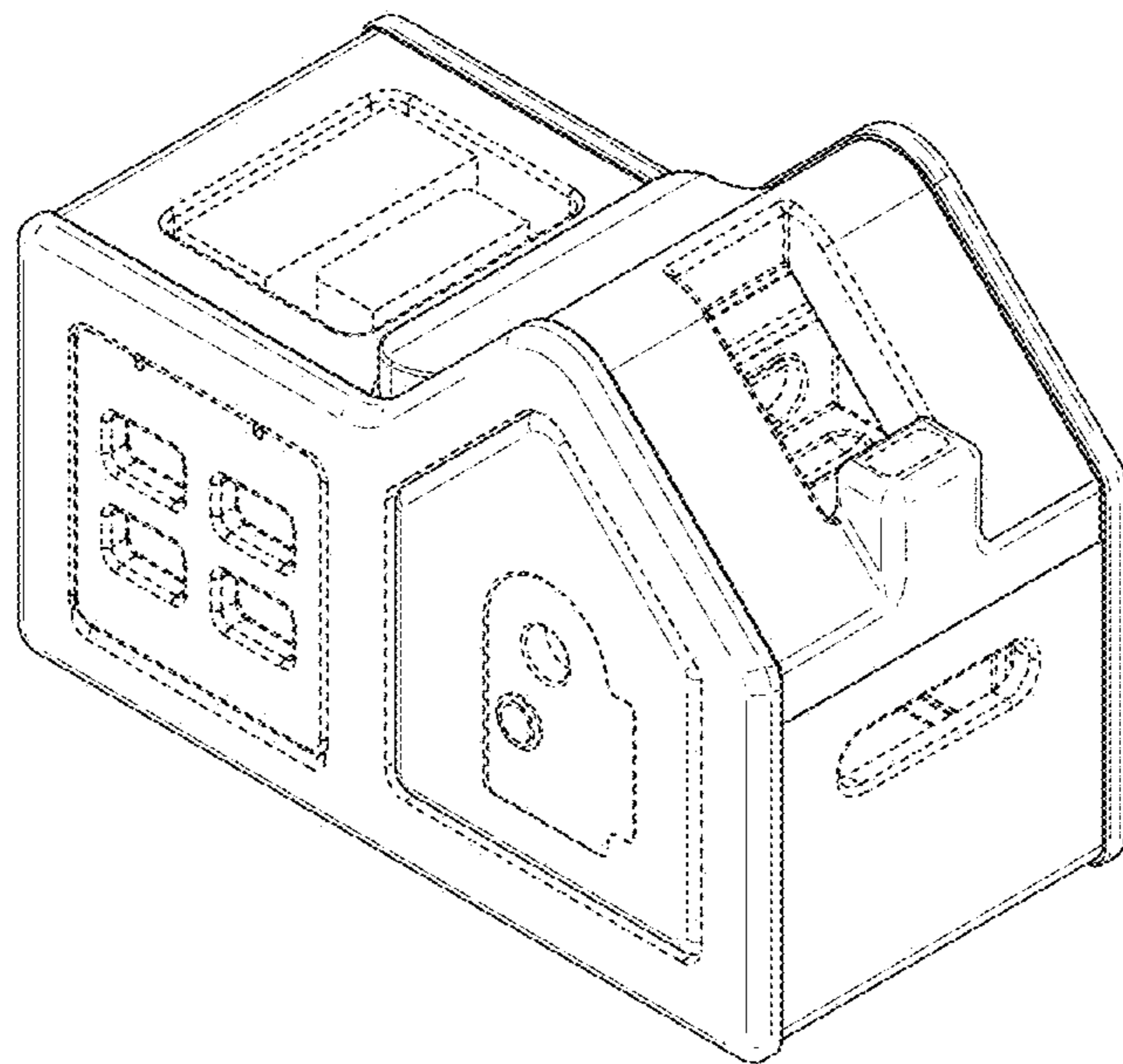


FIG. 1

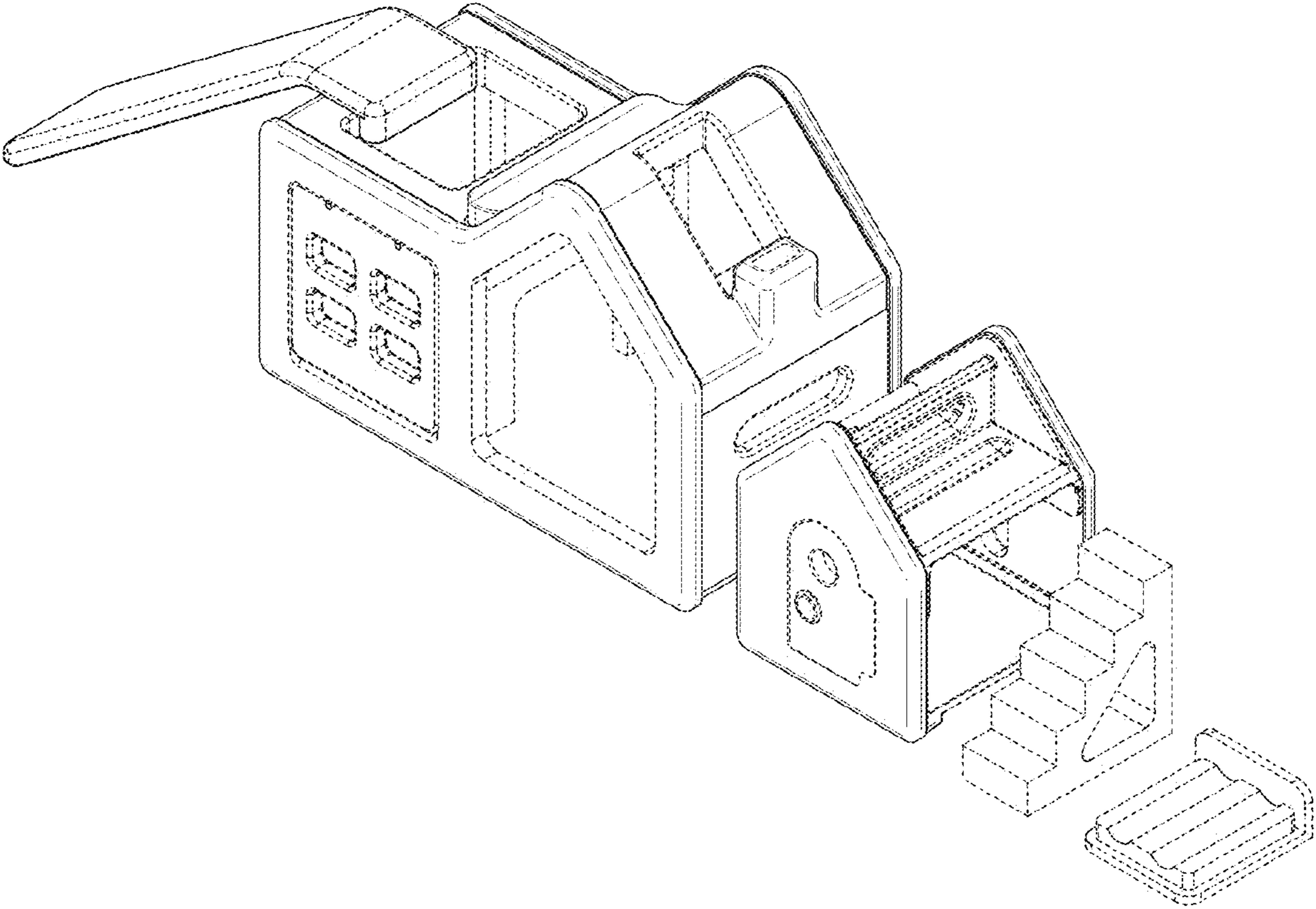


FIG. 2

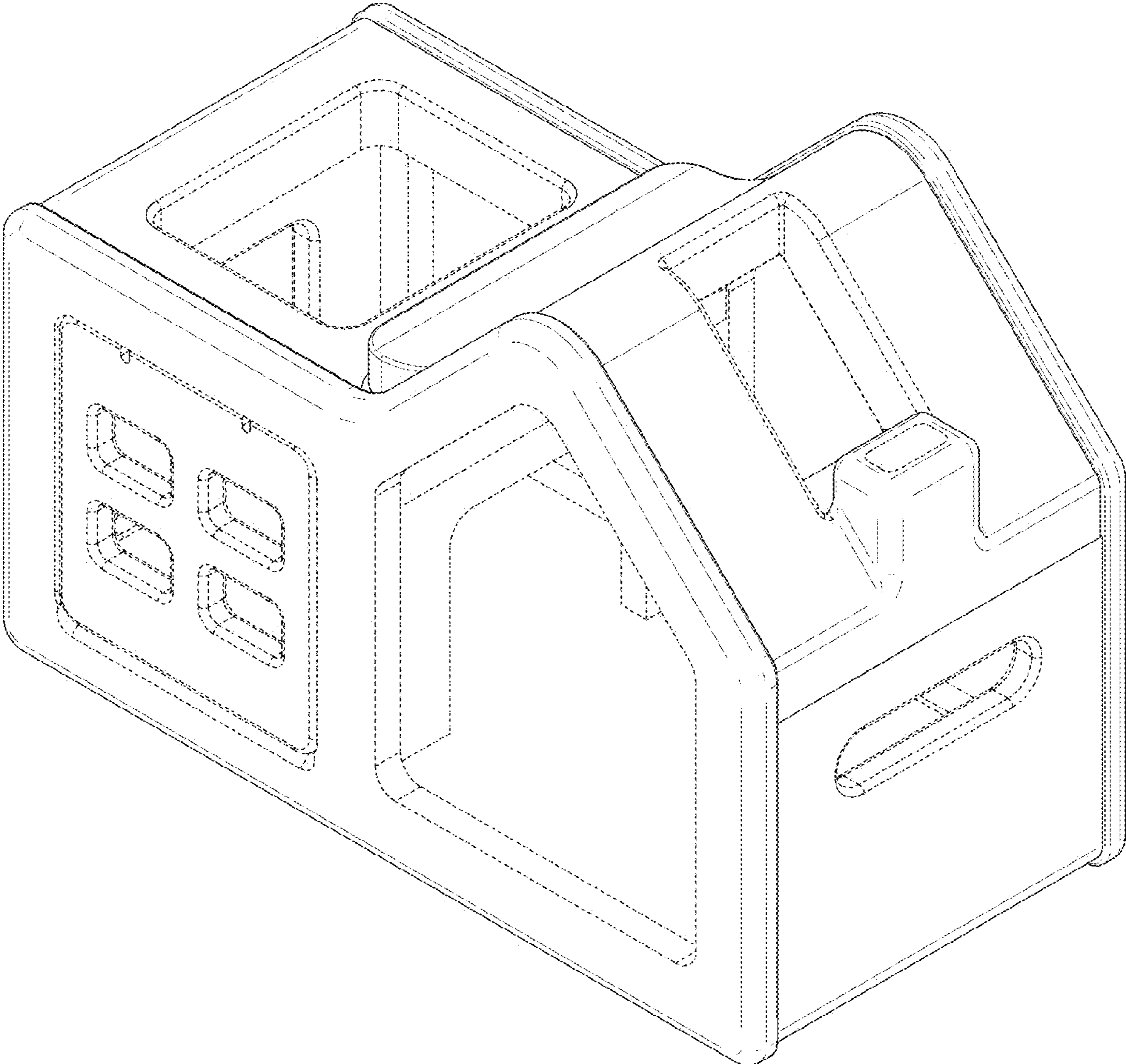


FIG. 3

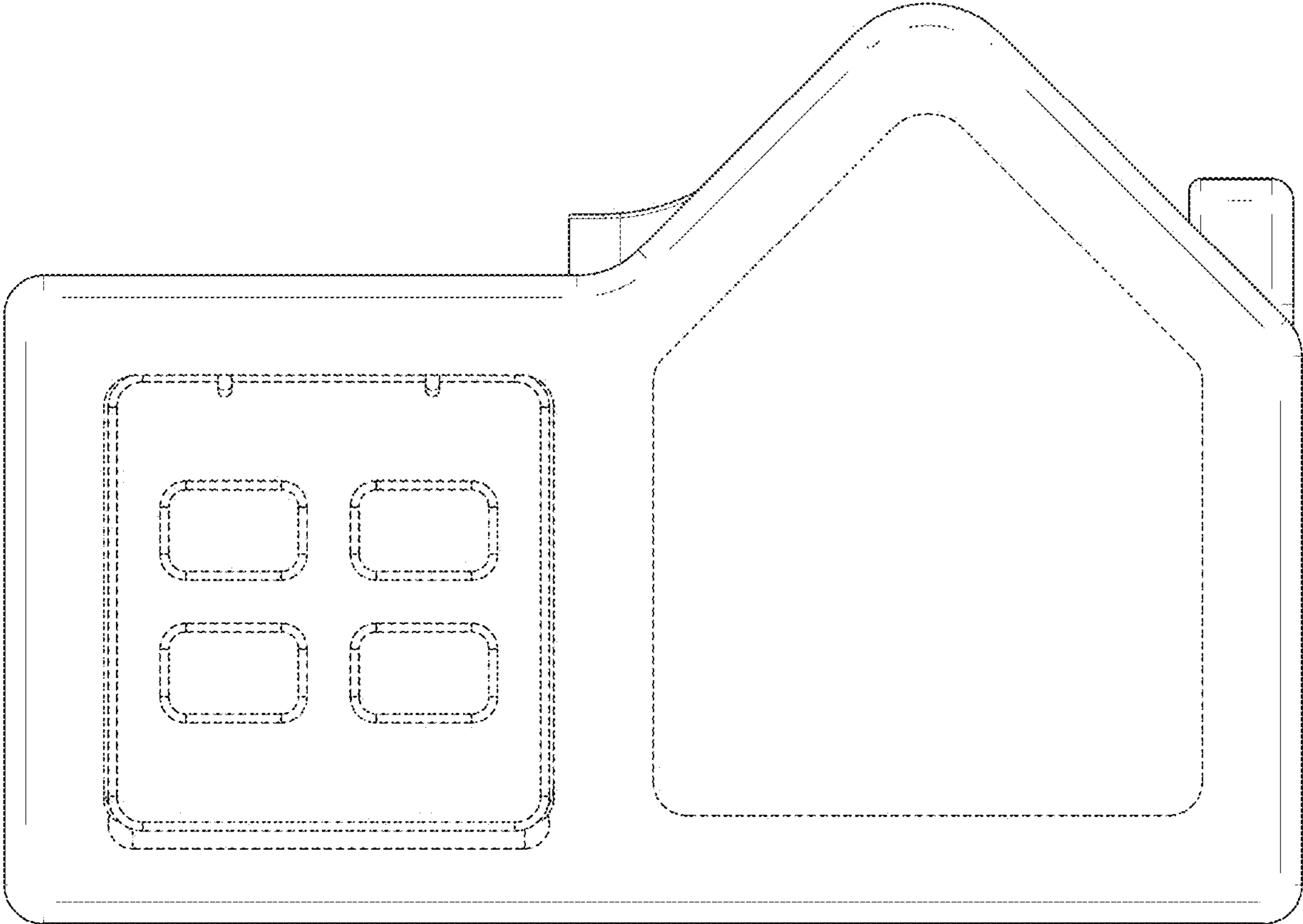


FIG. 4

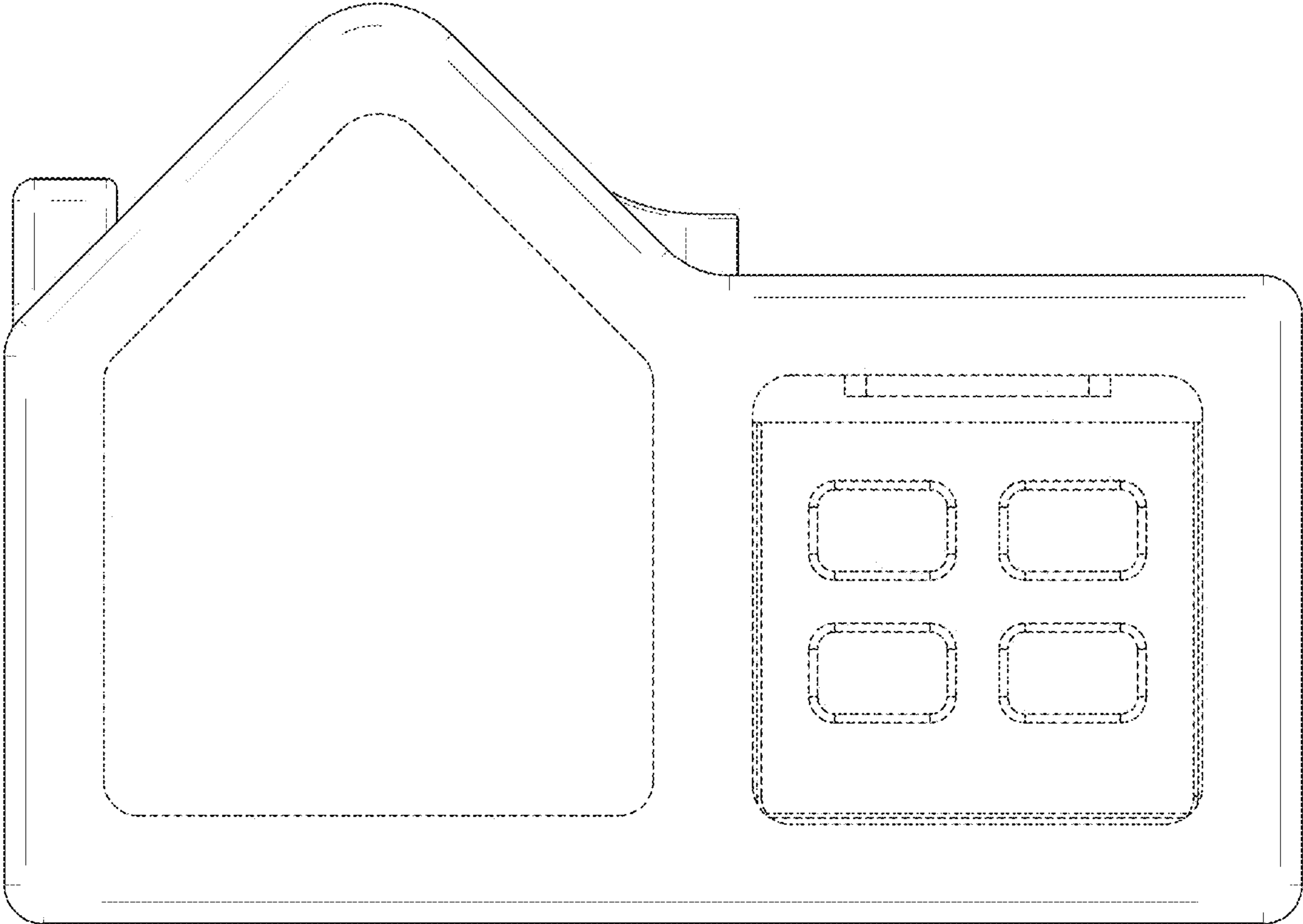


FIG. 5

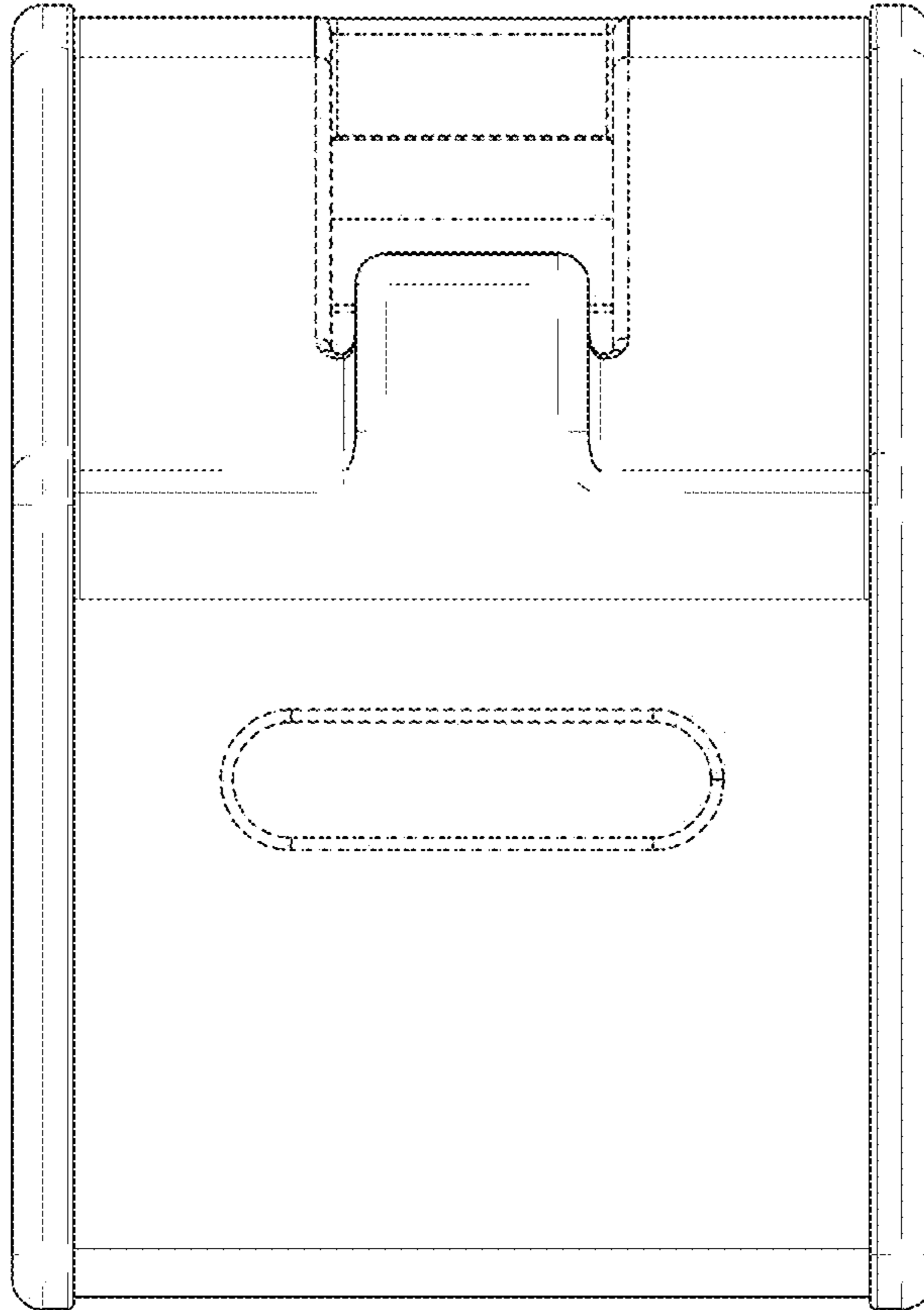


FIG. 6

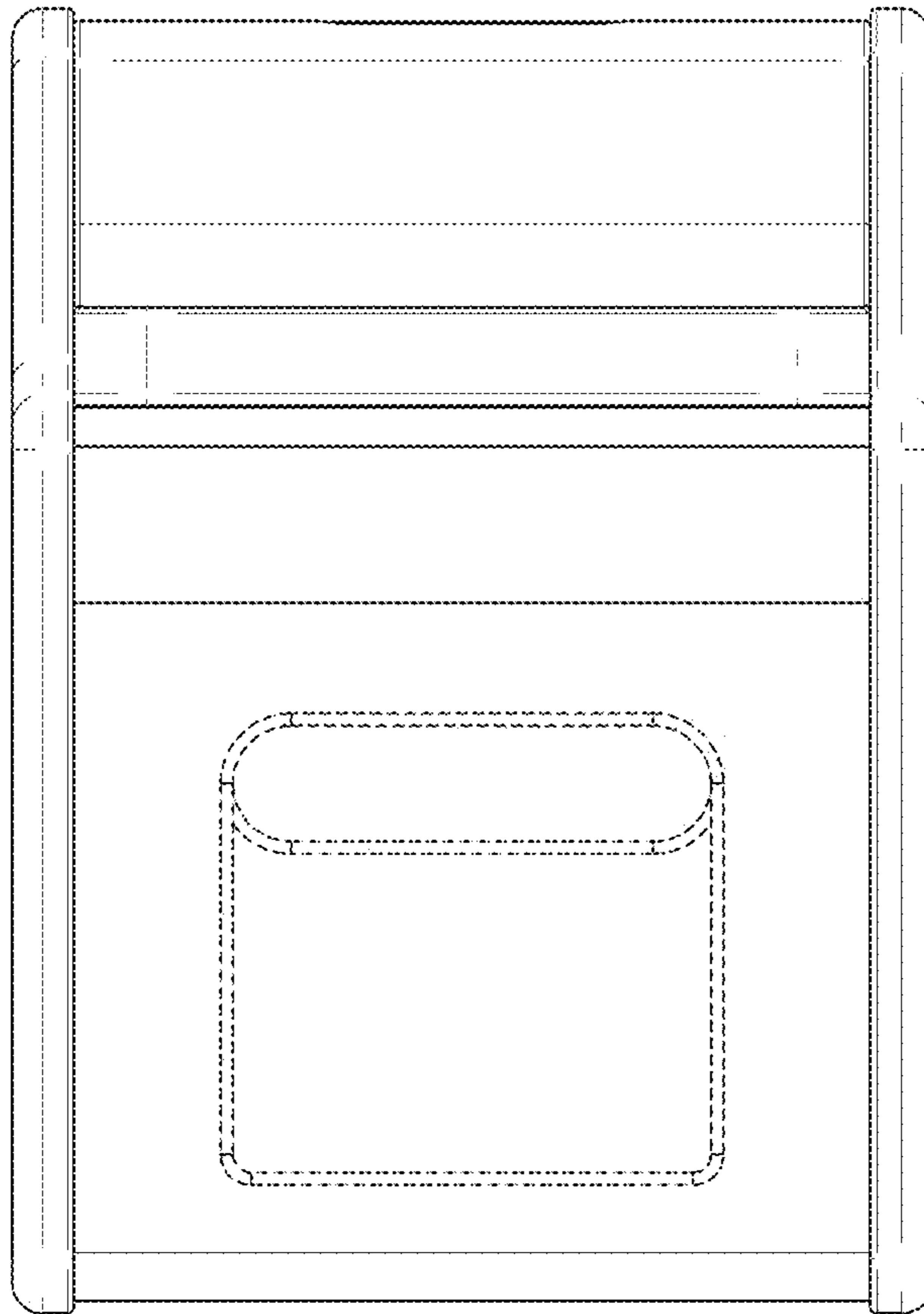


FIG. 7

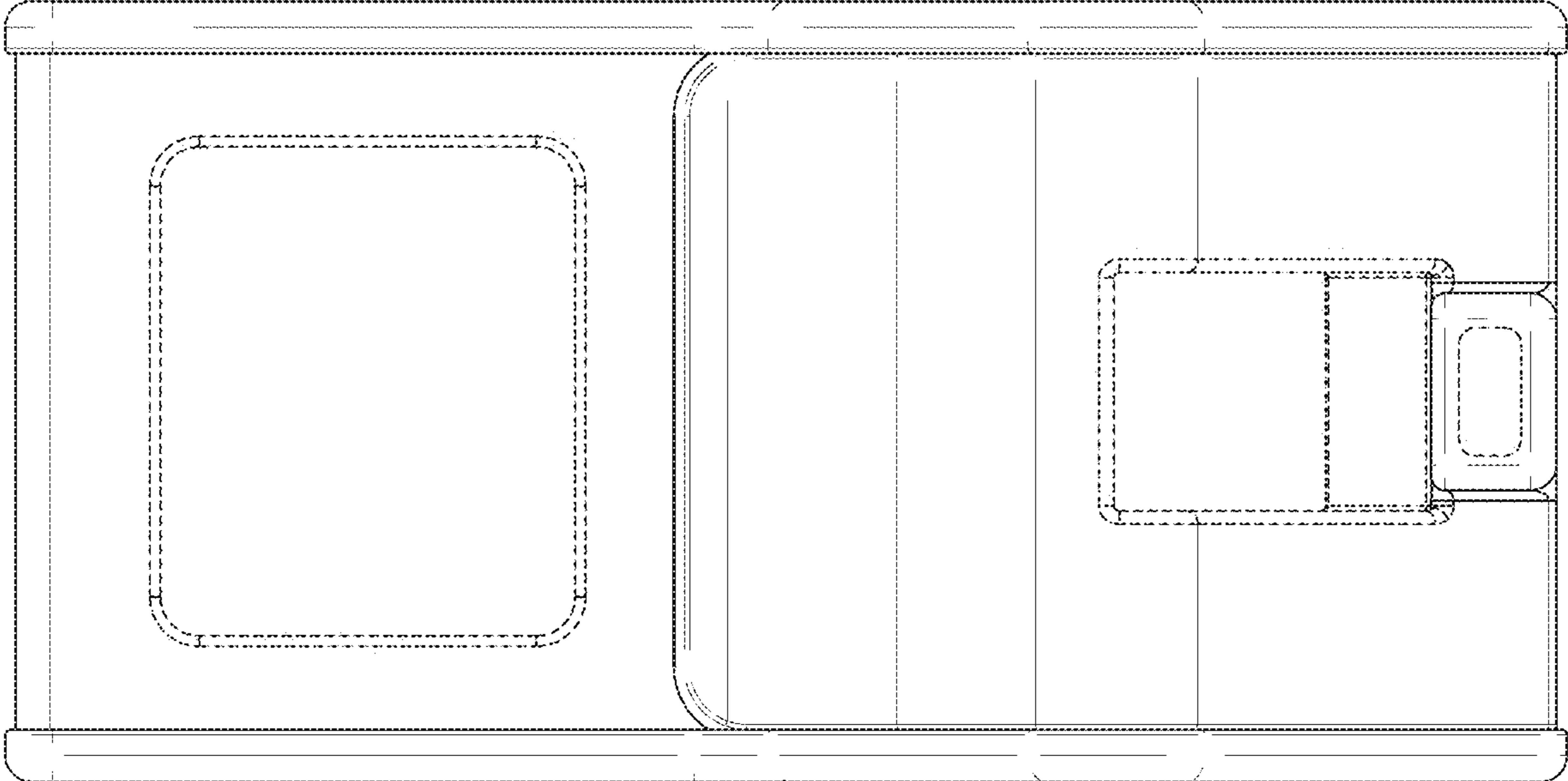


FIG. 8

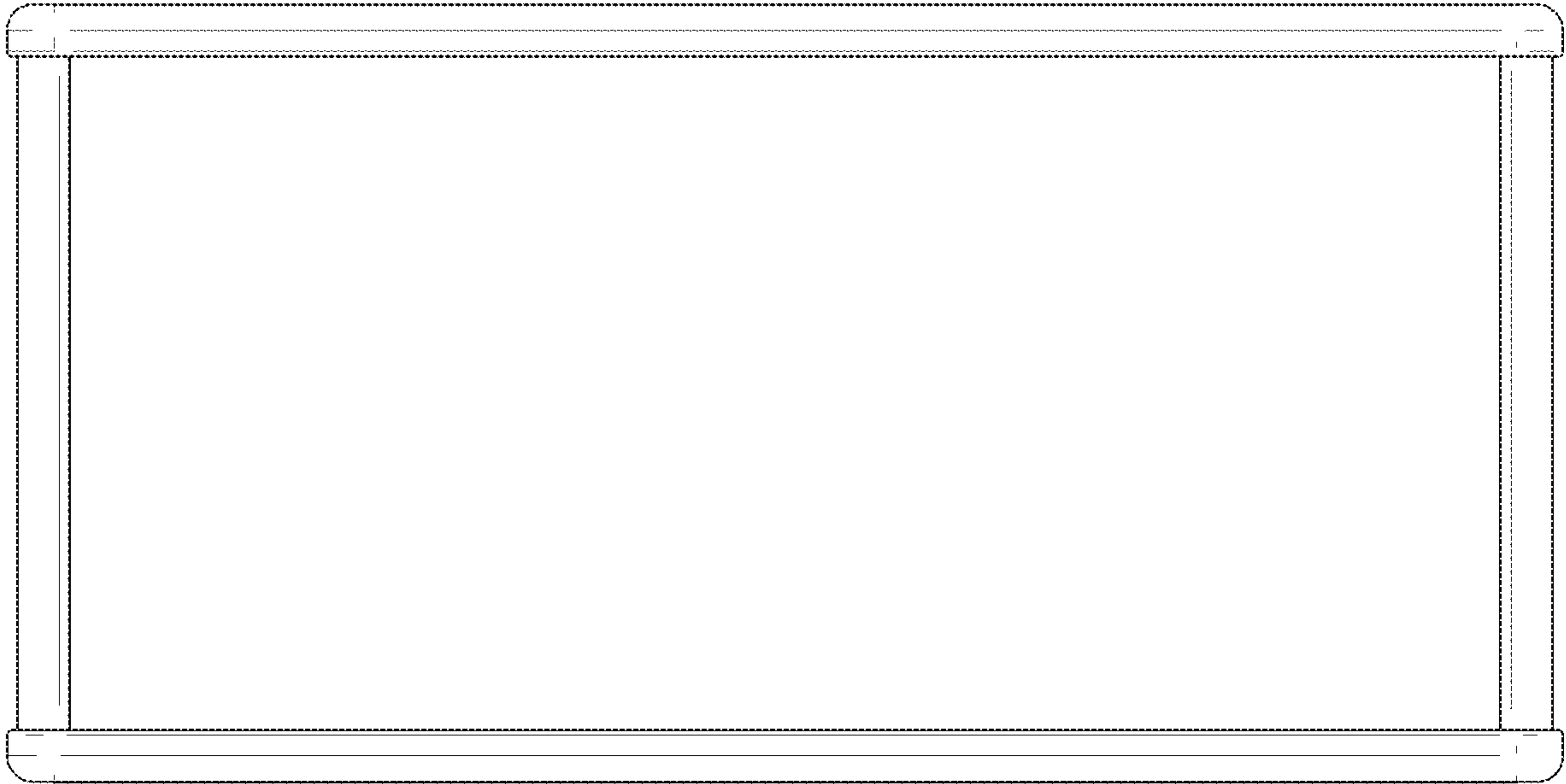


FIG. 9

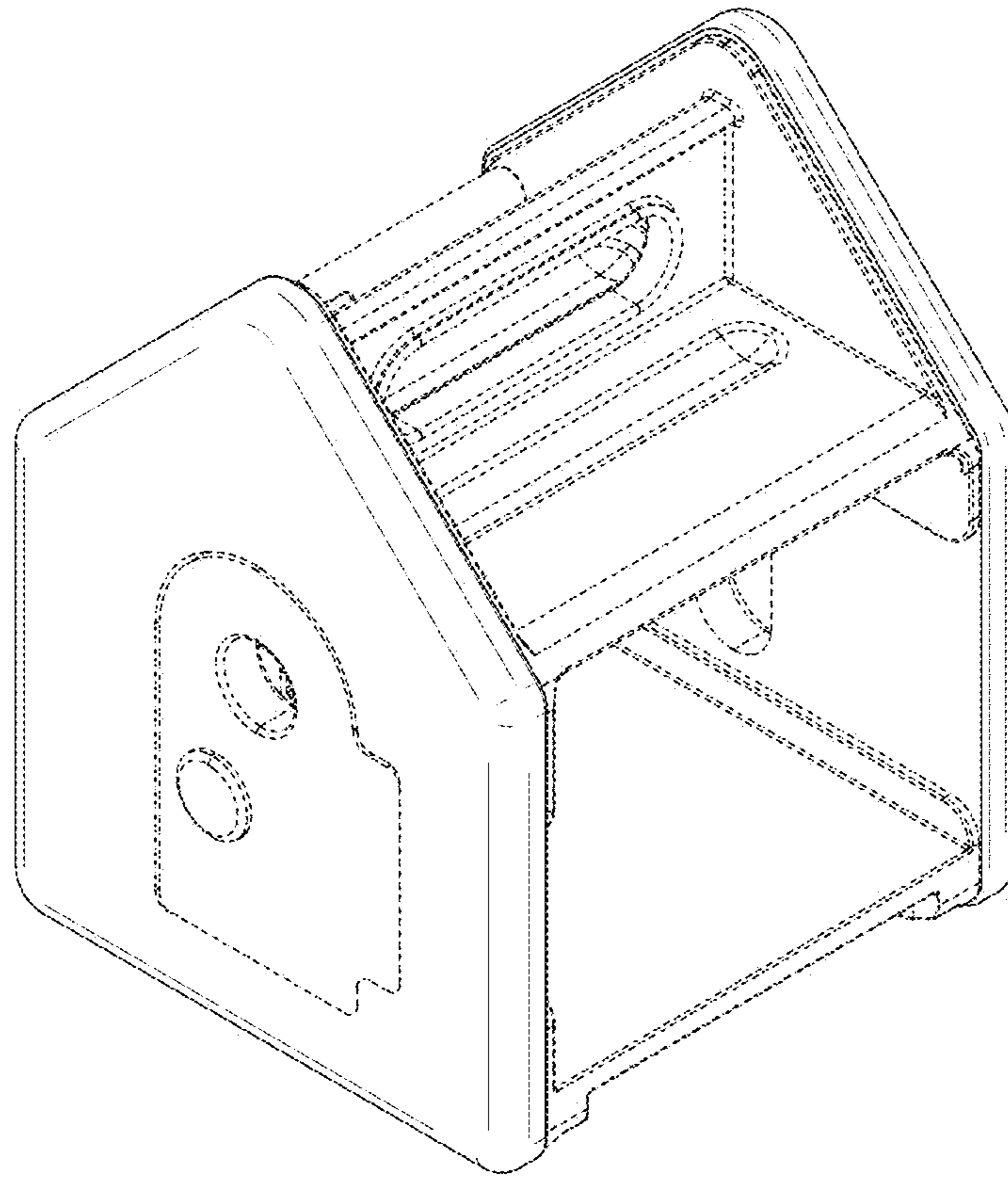


FIG. 10

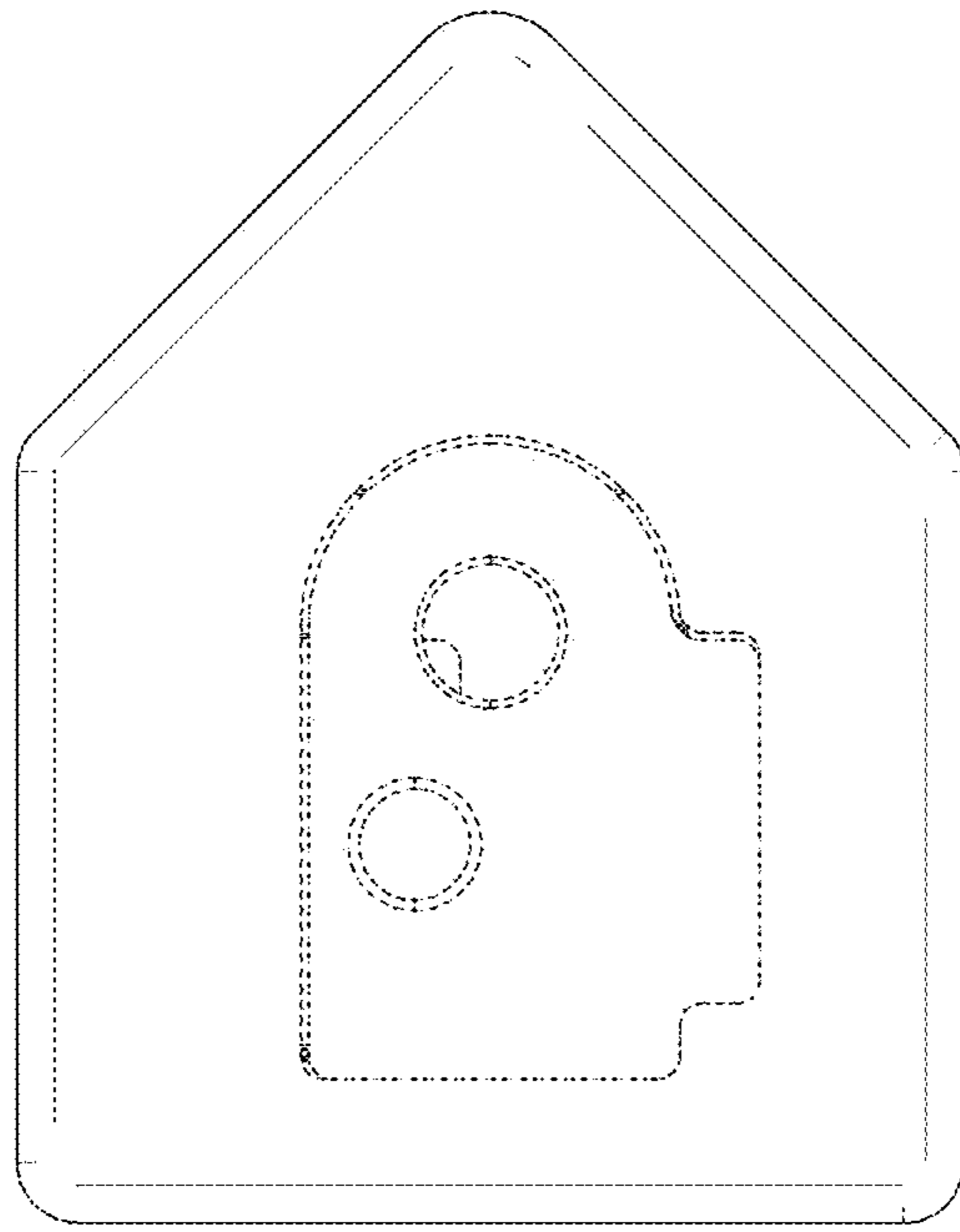


FIG. 11

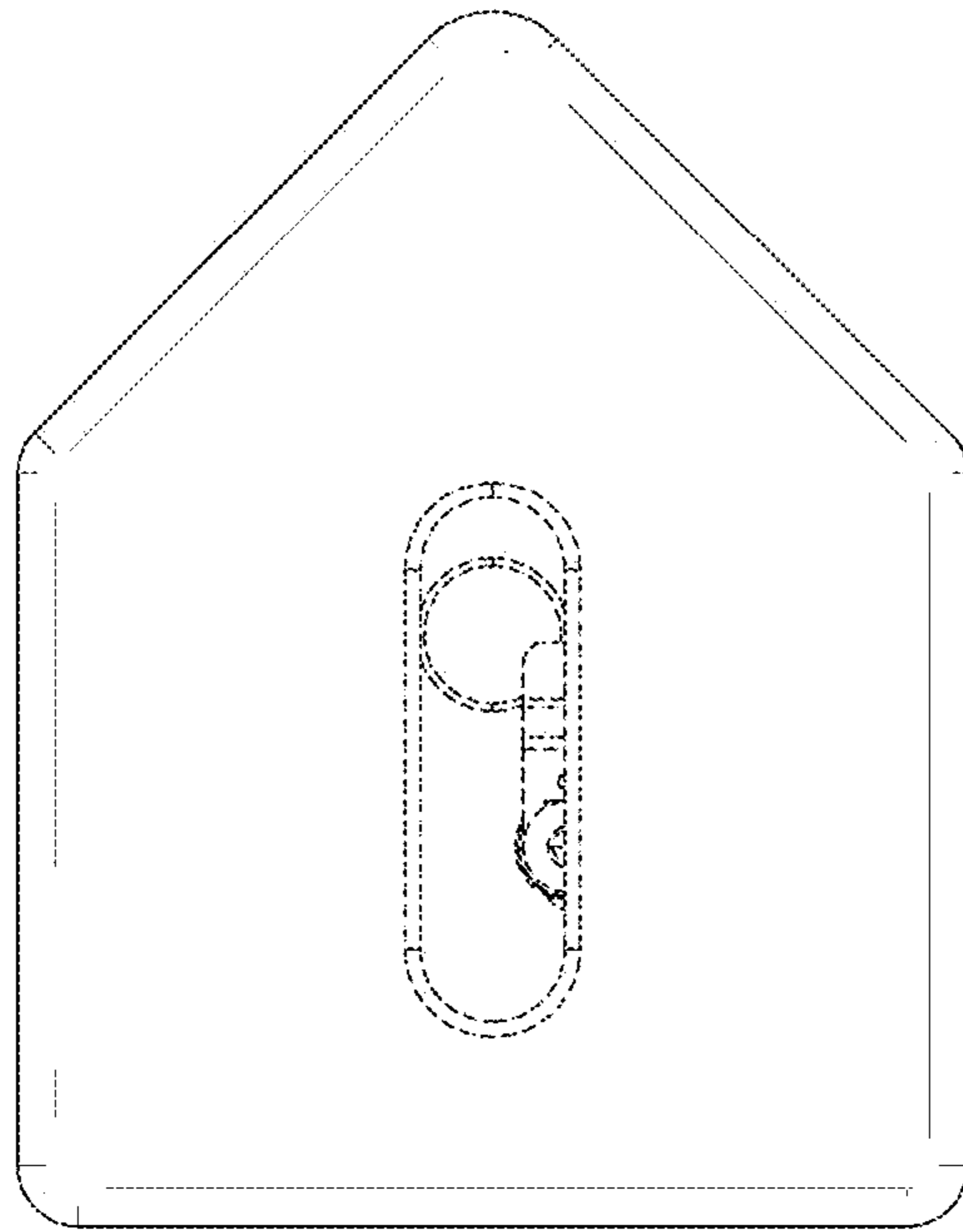


FIG. 12

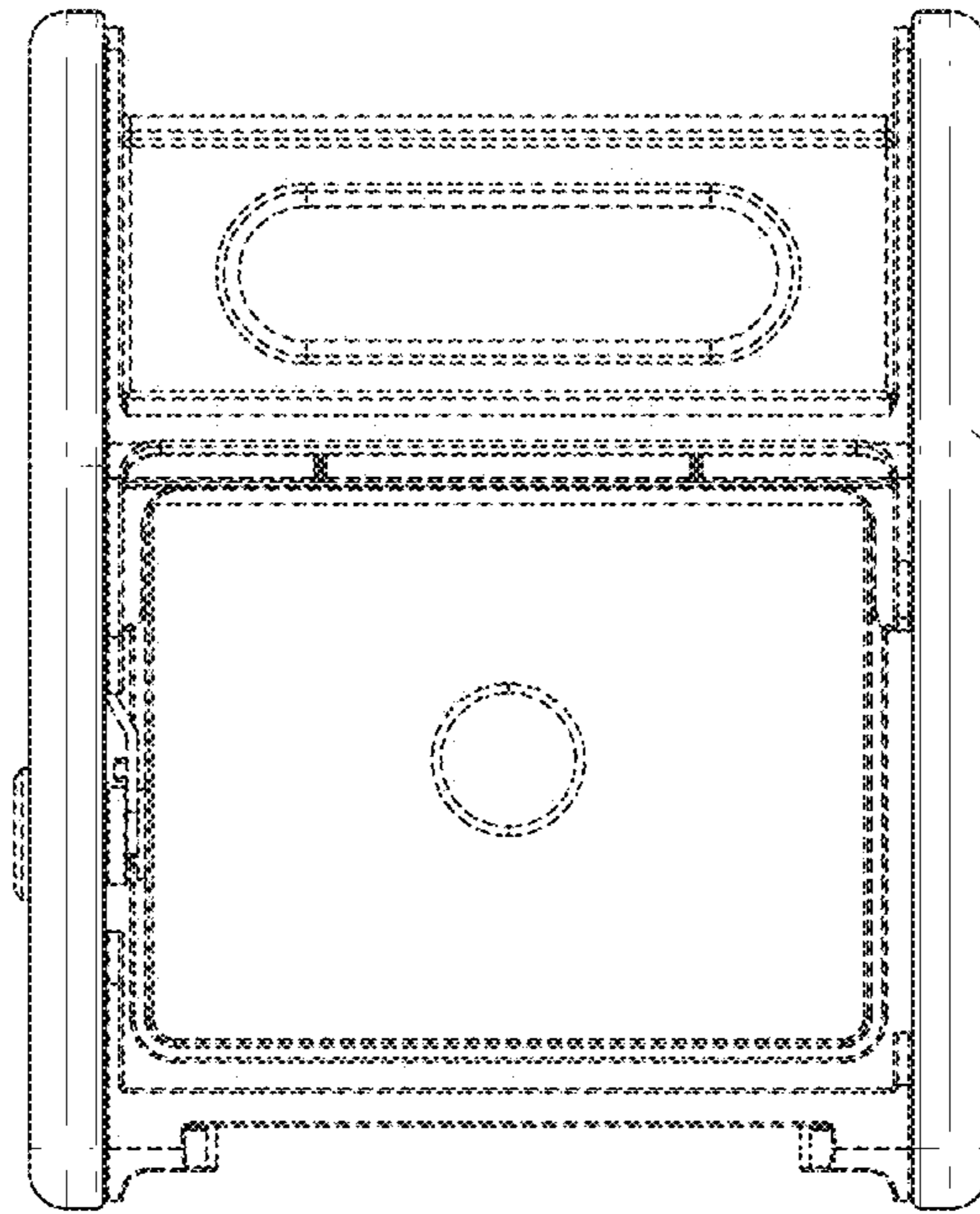


FIG. 13

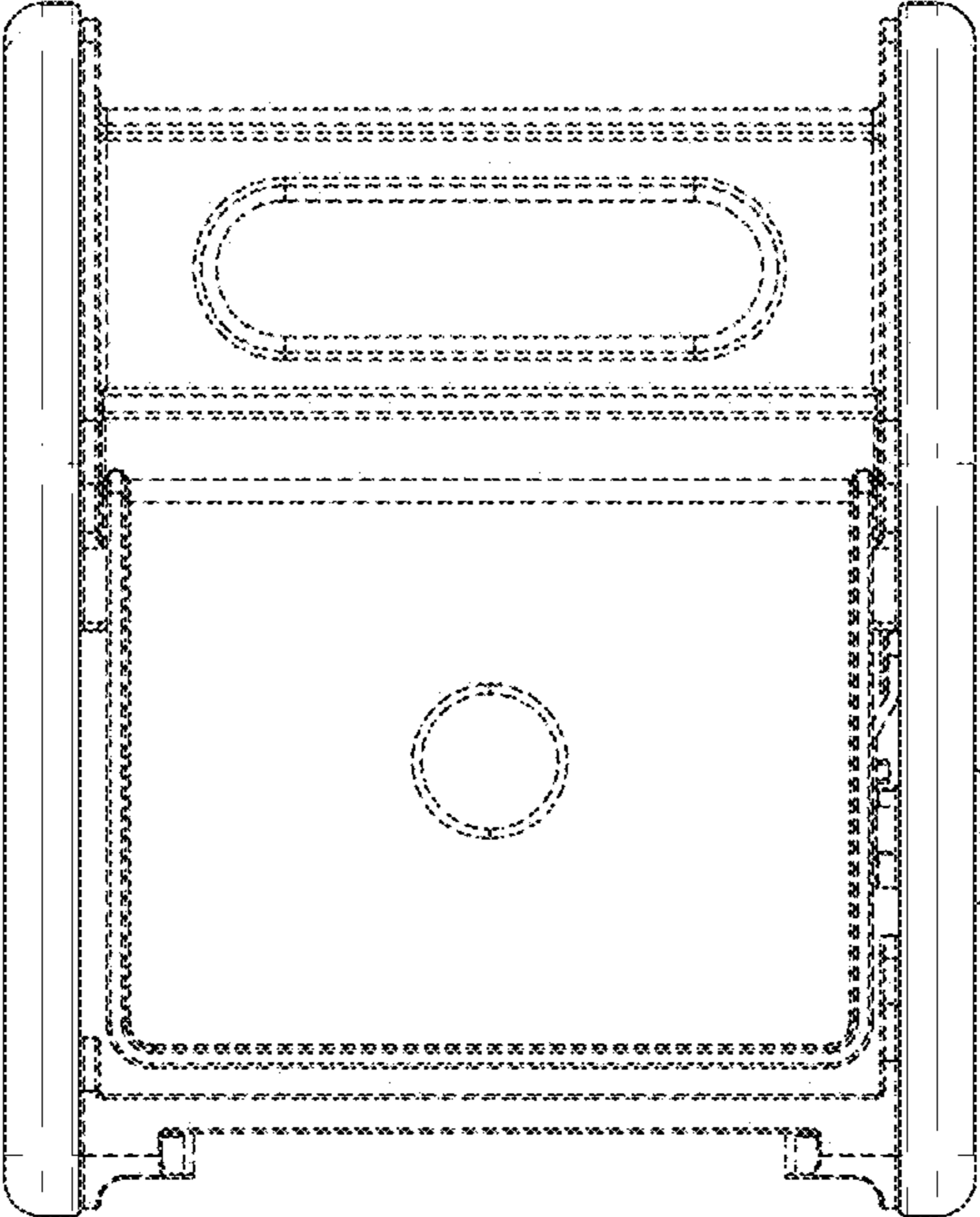


FIG. 14

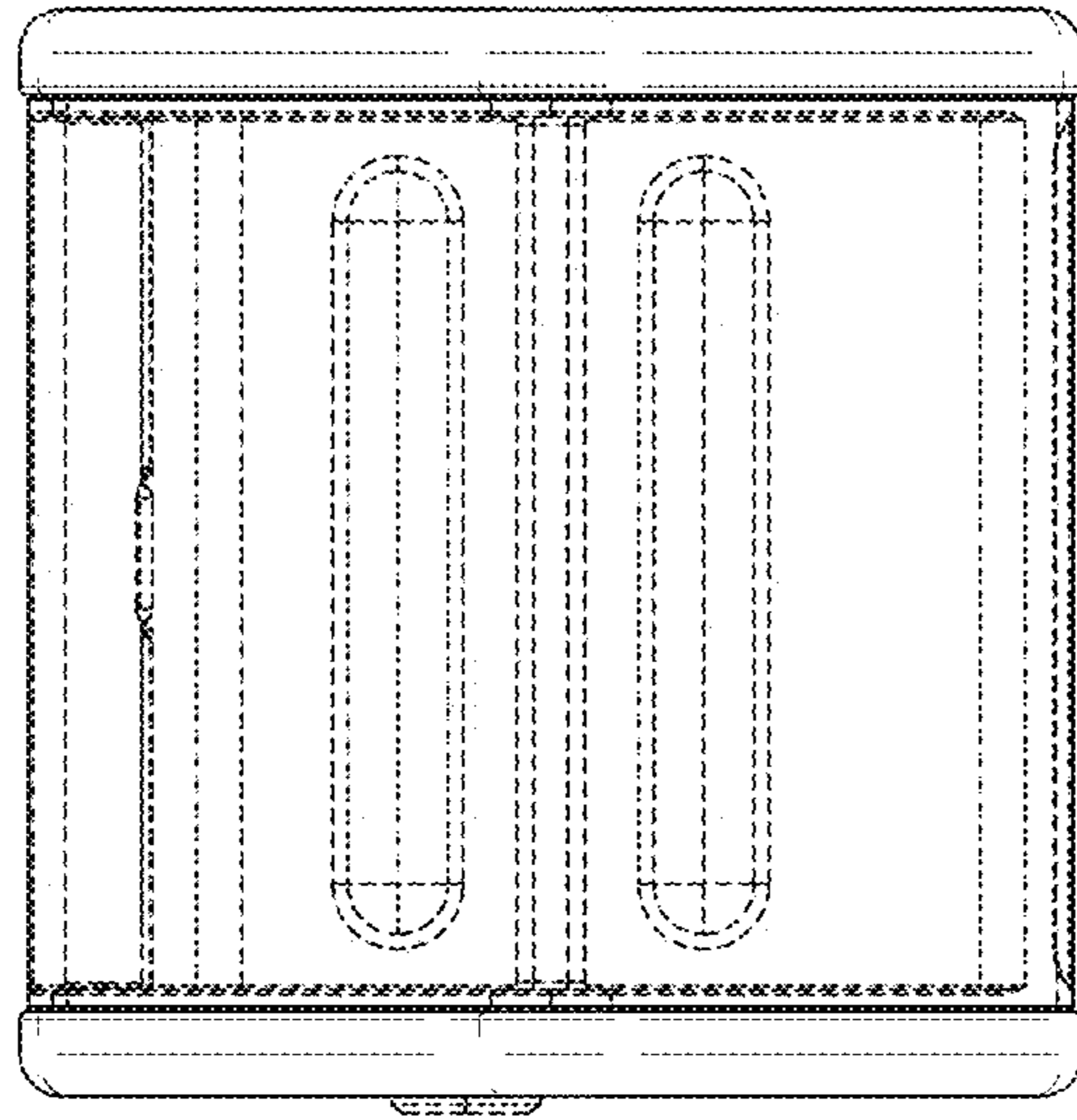


FIG. 15

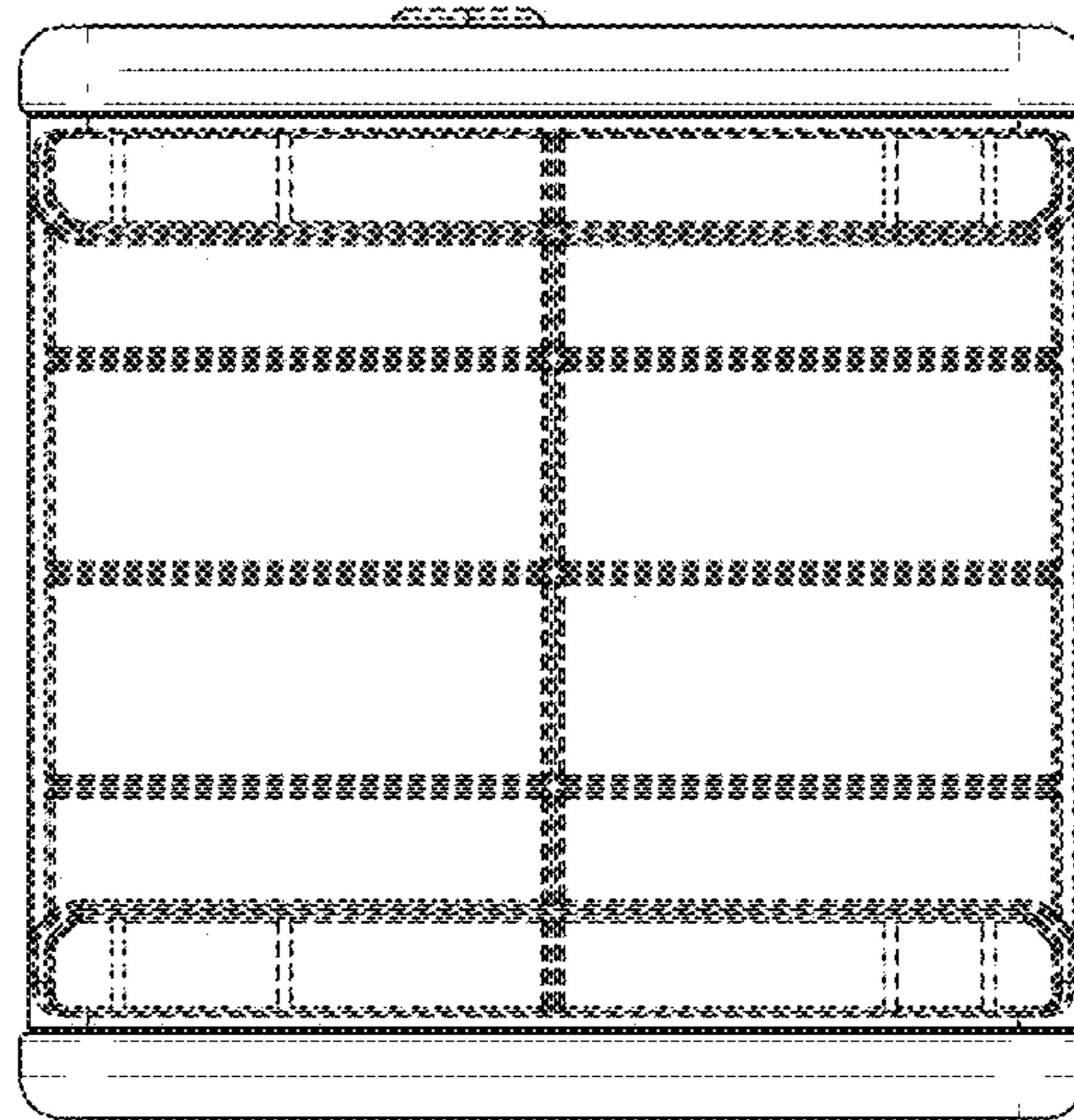


FIG. 16

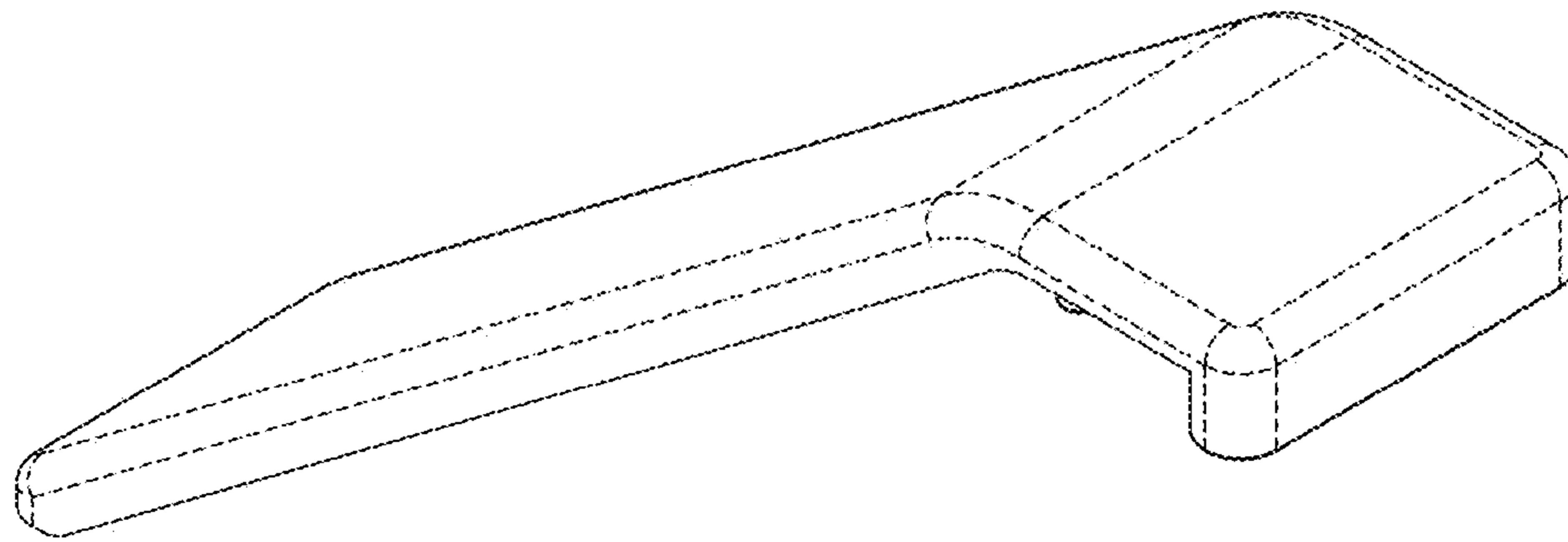


FIG. 17

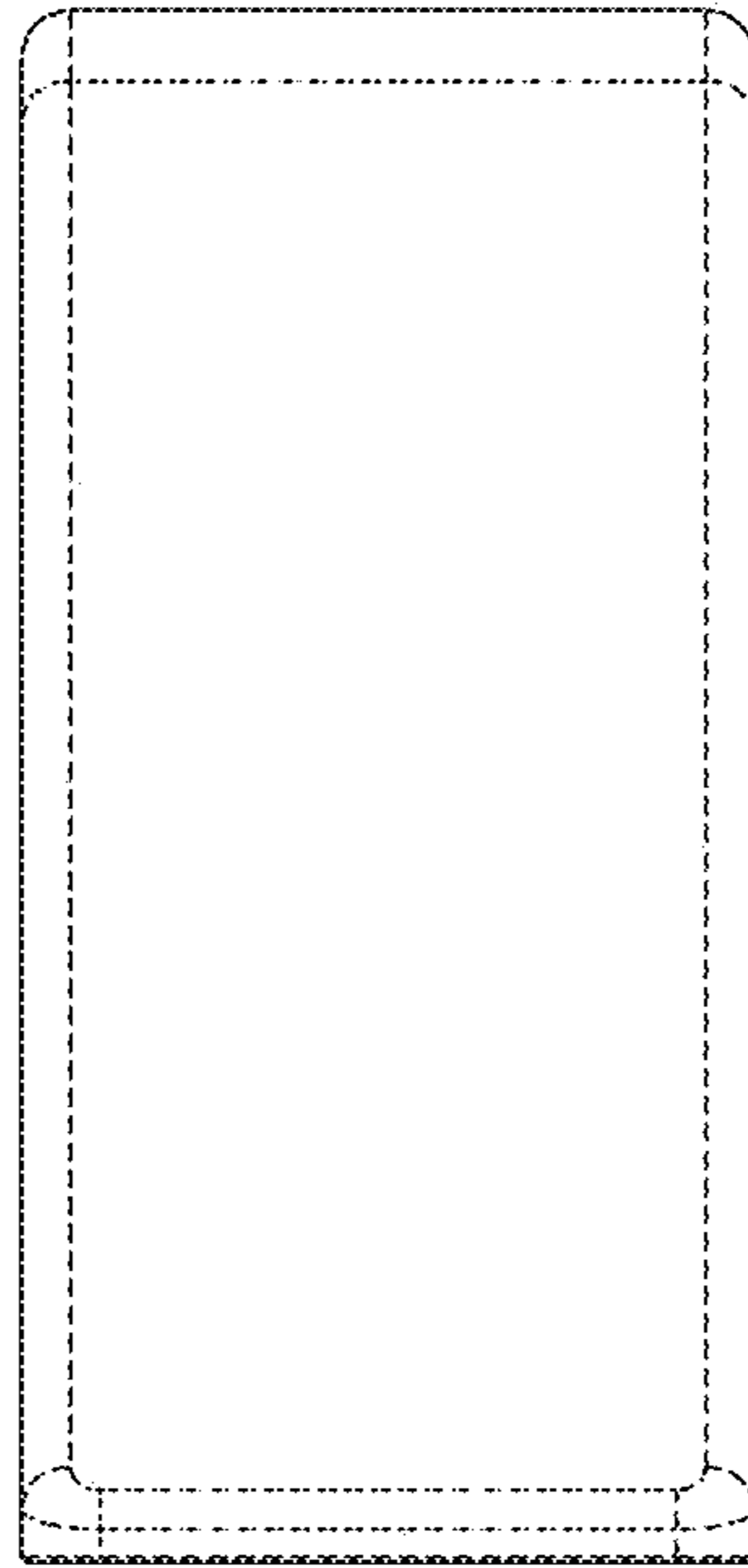


FIG. 18

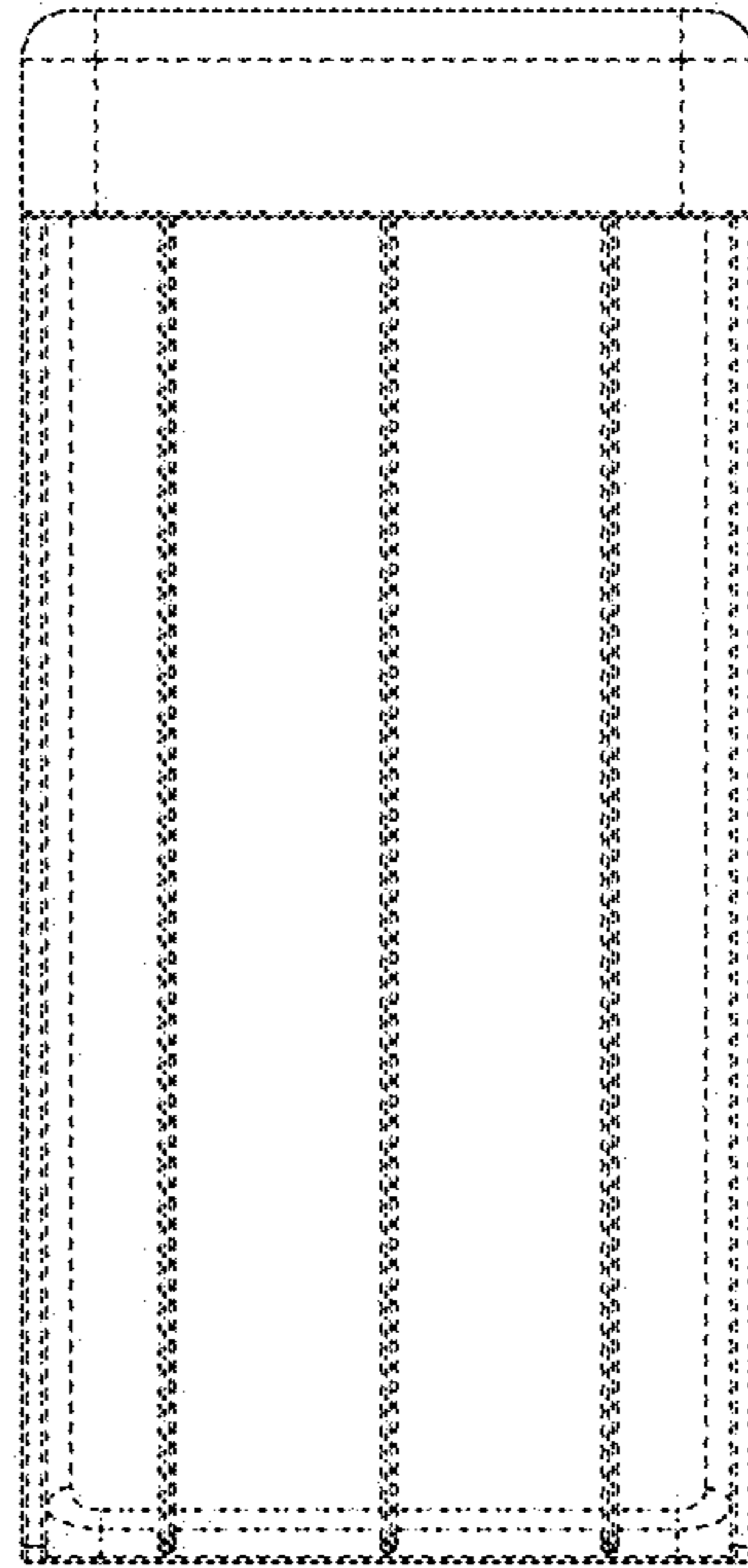


FIG. 19

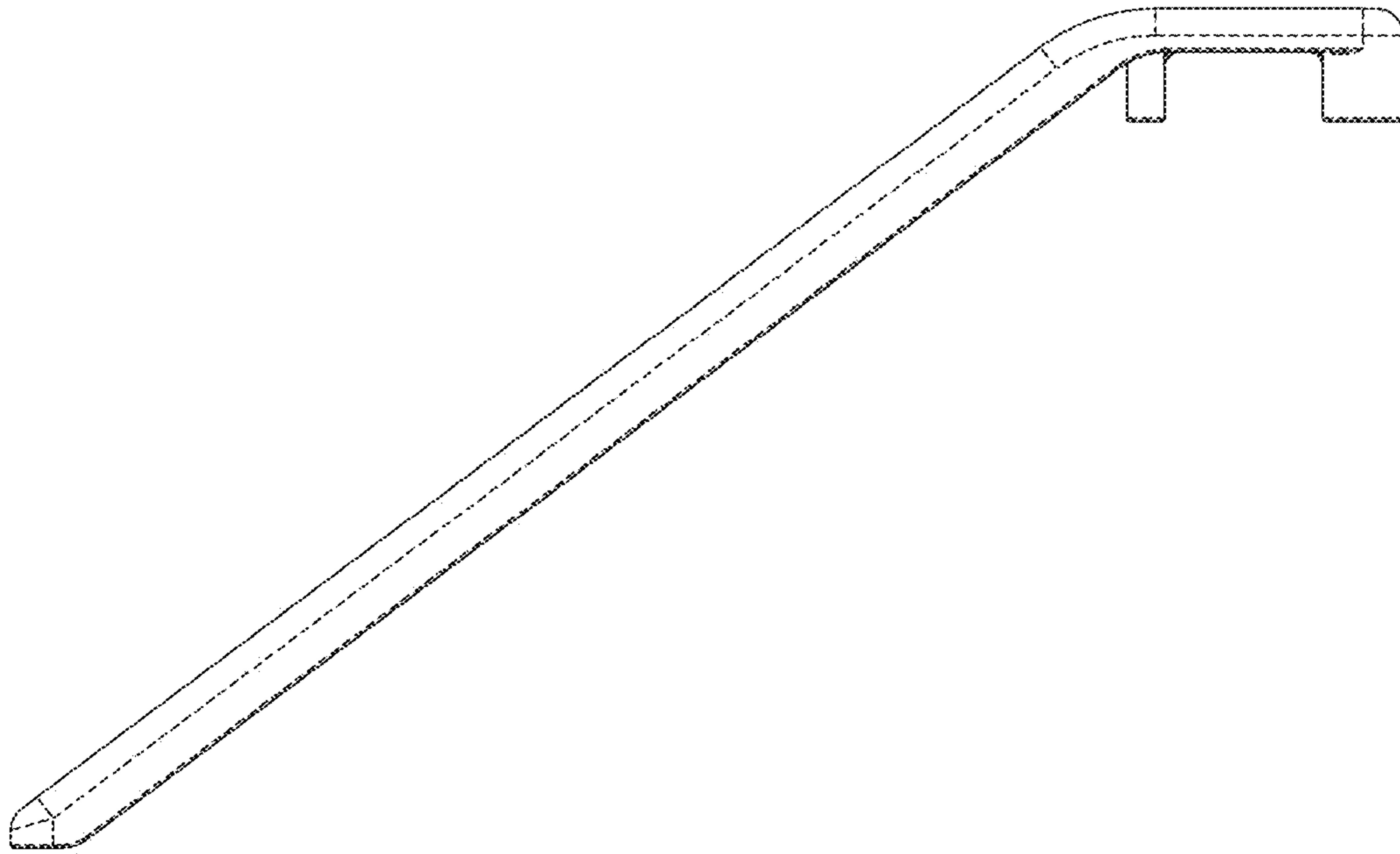


FIG. 20

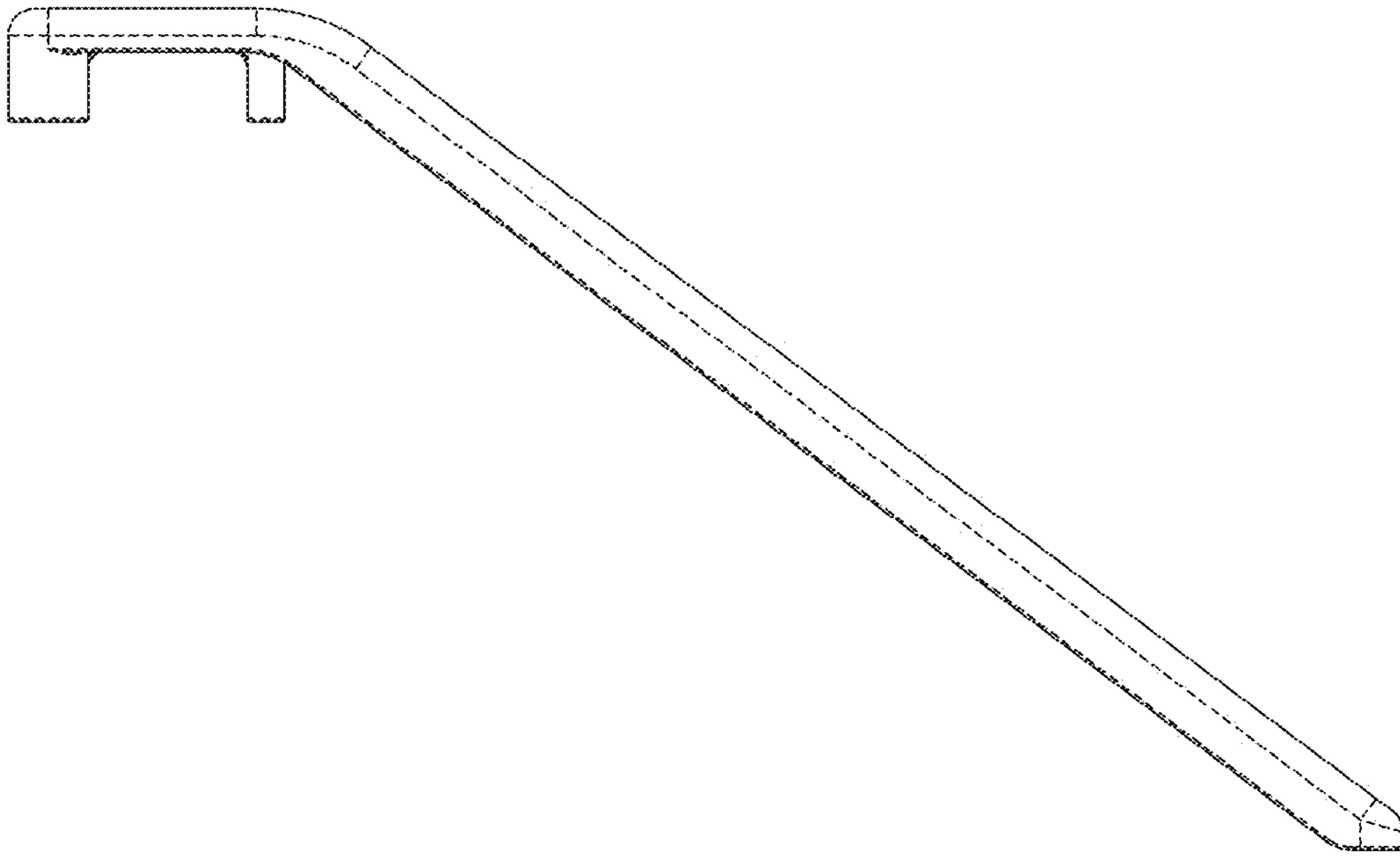


FIG. 21

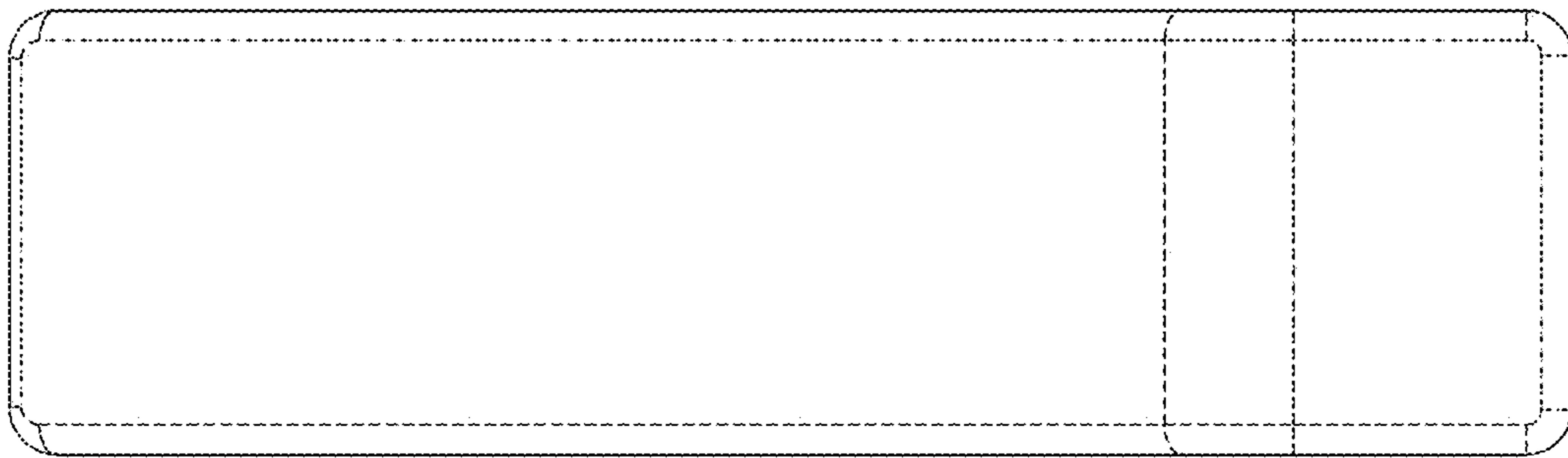


FIG. 22

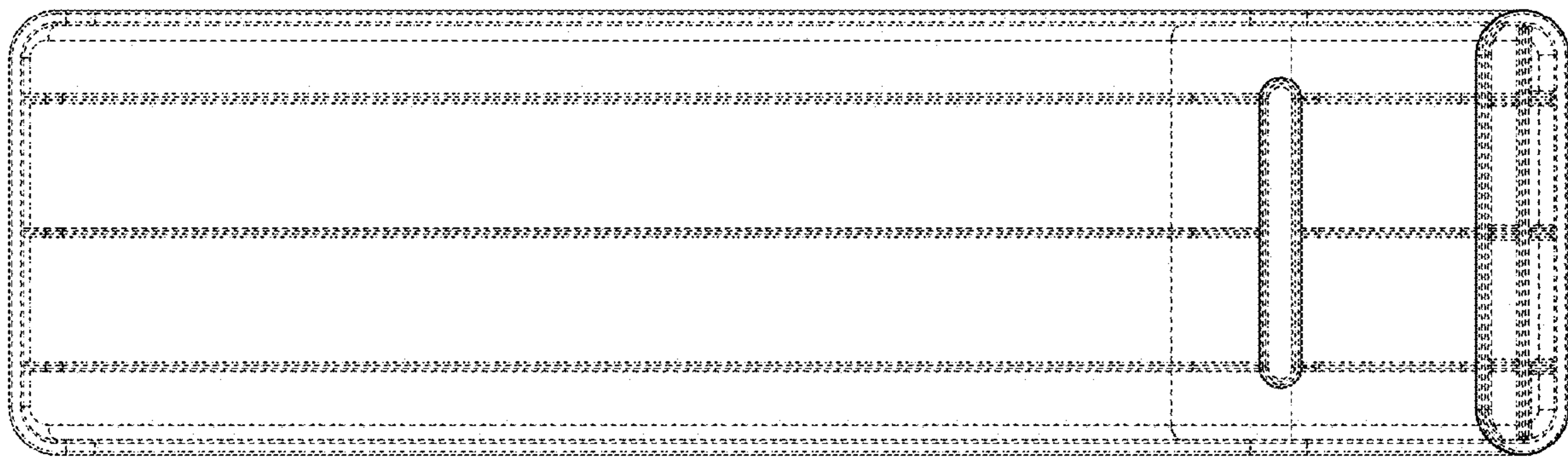


FIG. 23