



US0D1020805S

(12) **United States Design Patent** (10) **Patent No.:** **US D1,020,805 S**  
**Li** (45) **Date of Patent:** **\*\* Apr. 2, 2024**

(54) **INTELLIGENT ELECTRIC PADDLE BOARD PUMP**

(71) Applicant: **OAK & IRON Technology LLC**,  
Sheridan, WY (US)

(72) Inventor: **Xiang Li**, Roslyn, NY (US)

(73) Assignee: **OAK & IRON TECHNOLOGY LLC**,  
Sheridan, WY (US)

(\*\*) Term: **15 Years**

(21) Appl. No.: **29/885,344**

(22) Filed: **Feb. 23, 2023**

(51) **LOC (14) Cl.** ..... **15-02**

(52) **U.S. Cl.**  
USPC ..... **D15/7**

(58) **Field of Classification Search**  
USPC ..... D15/7, 9; D21/835  
CPC ..... F04B 35/06; F04B 35/04; F04B 39/121;  
F04B 17/03; F04B 49/00; F04B 43/06;  
F04B 1/005; F04D 29/2266; F04D  
29/046; F04D 29/22; F04D 13/06; F02M  
37/04; F02M 37/14

See application file for complete search history.

(56) **References Cited**

**U.S. PATENT DOCUMENTS**

D277,675	S	*	2/1985	Hung	.....	D15/9
D375,962	S	*	11/1996	Wong	.....	D15/9
D453,775	S	*	2/2002	Chou	.....	D15/7
D470,865	S	*	2/2003	Wang	.....	D15/9
D479,248	S	*	9/2003	Gist	.....	D15/9
D484,147	S	*	12/2003	Tai	.....	D15/9
D485,281	S	*	1/2004	Hsiao	.....	D15/9
D499,117	S	*	11/2004	Leasure	.....	D15/9
D499,118	S	*	11/2004	Leasure	.....	D15/9
D499,426	S	*	12/2004	Chou	.....	D15/7
D516,090	S	*	2/2006	Gist	.....	D15/9
D531,645	S	*	11/2006	Wise	.....	D15/9

D541,822	S	*	5/2007	Wang	.....	D15/9
D541,823	S	*	5/2007	Wang	.....	D15/9
D598,472	S	*	8/2009	Anderson	.....	D15/7
D602,502	S	*	10/2009	Hopper	.....	D15/9
D635,587	S	*	4/2011	Schleef	.....	D15/7
D662,950	S	*	7/2012	Lu	.....	D15/9
D687,074	S	*	7/2013	Barack	.....	D15/7
D817,362	S	*	5/2018	Kennedy	.....	D15/7
D830,415	S	*	10/2018	Kennedy	.....	D15/7

(Continued)

**OTHER PUBLICATIONS**

Oak & Iron Wave Electric Paddle Board Pump, available in Amazon.com, date first available Mar. 22, 2023 [online], [site visited Jan. 10, 2024], Available from the internet URL: [https://www.amazon.com/Electric-Inflator-Deflation-Pumping-Auto-Off/dp/B0BZ7D95J5/ref=asc\\_df\\_B0BZ7D95J5/?tag=hyprod-20&linkCode=\(Year: 2023\).](https://www.amazon.com/Electric-Inflator-Deflation-Pumping-Auto-Off/dp/B0BZ7D95J5/ref=asc_df_B0BZ7D95J5/?tag=hyprod-20&linkCode=(Year: 2023).)\*

*Primary Examiner* — Calvin E Vansant  
*Assistant Examiner* — Eidiol Ghigliotty Torres  
(74) *Attorney, Agent, or Firm* — IPRO, PLLC

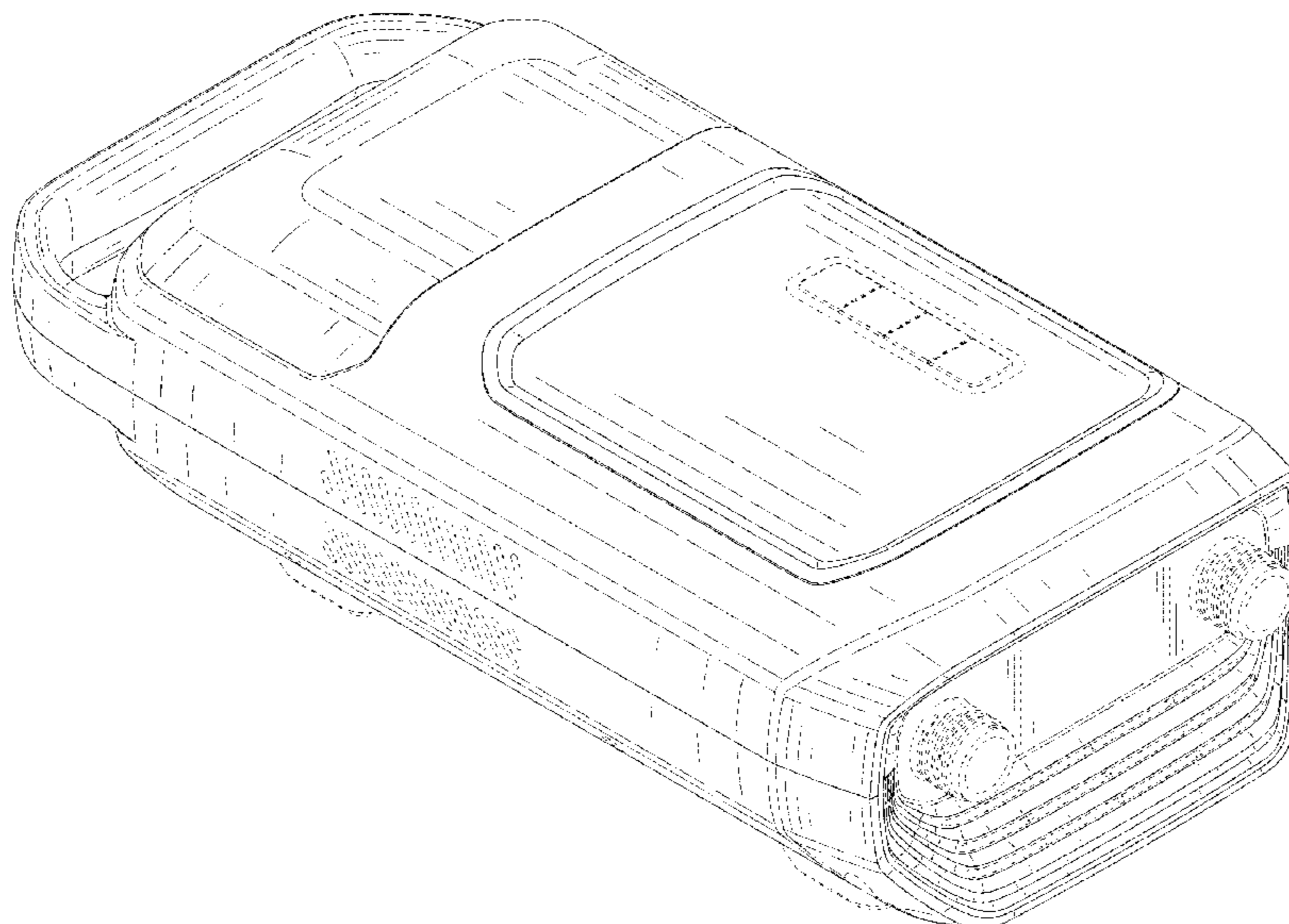
(57) **CLAIM**

The ornamental design for an intelligent electric paddle board pump, as shown and described.

**DESCRIPTION**

FIG. 1 is a top, left side perspective view of an intelligent electric paddle board pump showing our new design; FIG. 2 is a bottom, rear, left side perspective view thereof; FIG. 3 is a front elevation view thereof; FIG. 4 is a rear elevation view thereof; FIG. 5 is a left side elevation view thereof; FIG. 6 is a right side elevation view thereof; FIG. 7 is a top plan view thereof; and, FIG. 8 is a bottom plan view thereof. The broken lines depict portions of the intelligent electric paddle board pump that form no part of the claimed design.

**1 Claim, 8 Drawing Sheets**



(56)

**References Cited**

U.S. PATENT DOCUMENTS

D838,747 S *	1/2019	Gan .....	D15/7
D839,924 S *	2/2019	Tuang .....	D15/9
D879,155 S *	3/2020	Liu .....	D15/7
D920,384 S *	5/2021	Chen .....	D15/7

\* cited by examiner

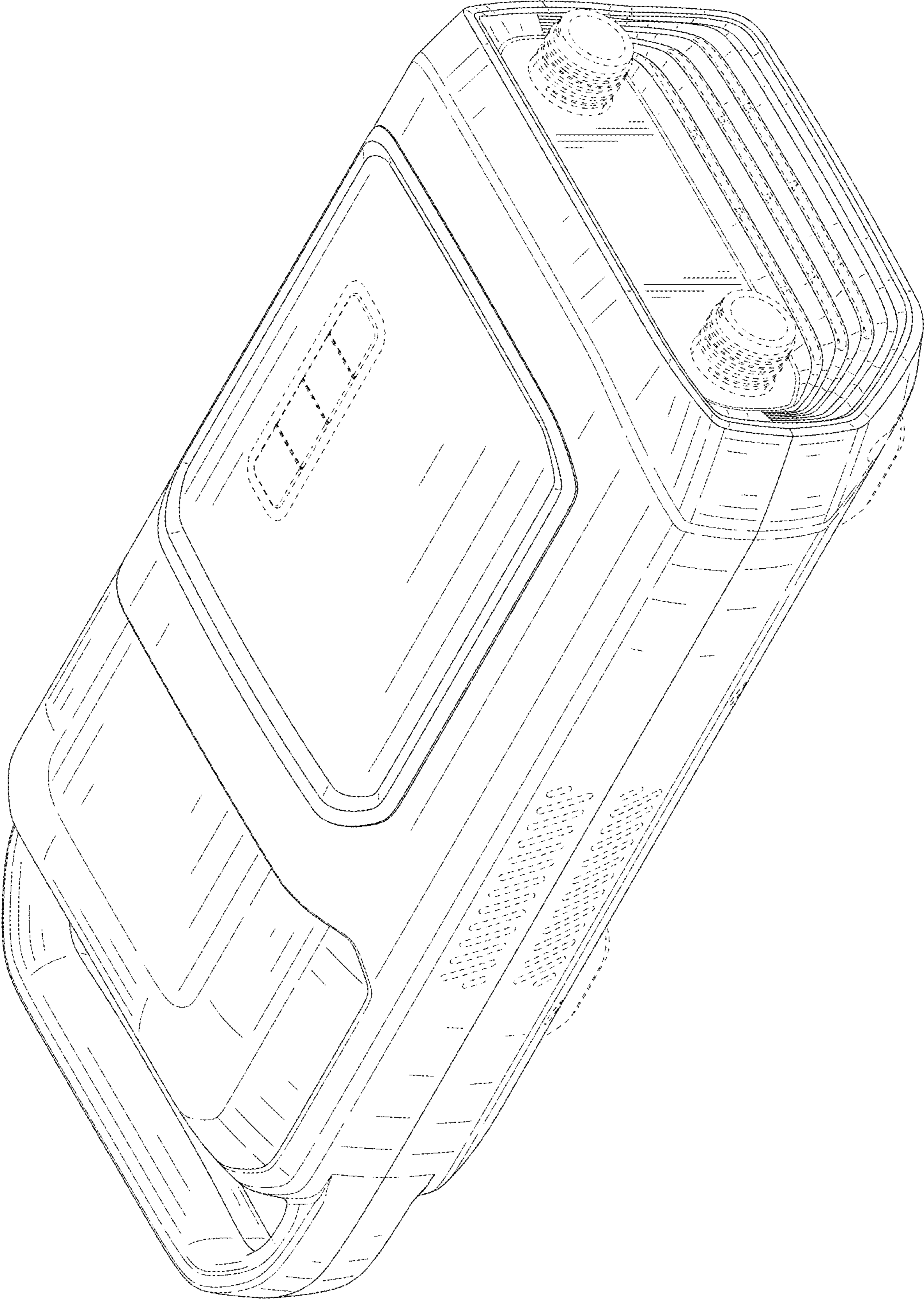


FIG. 1

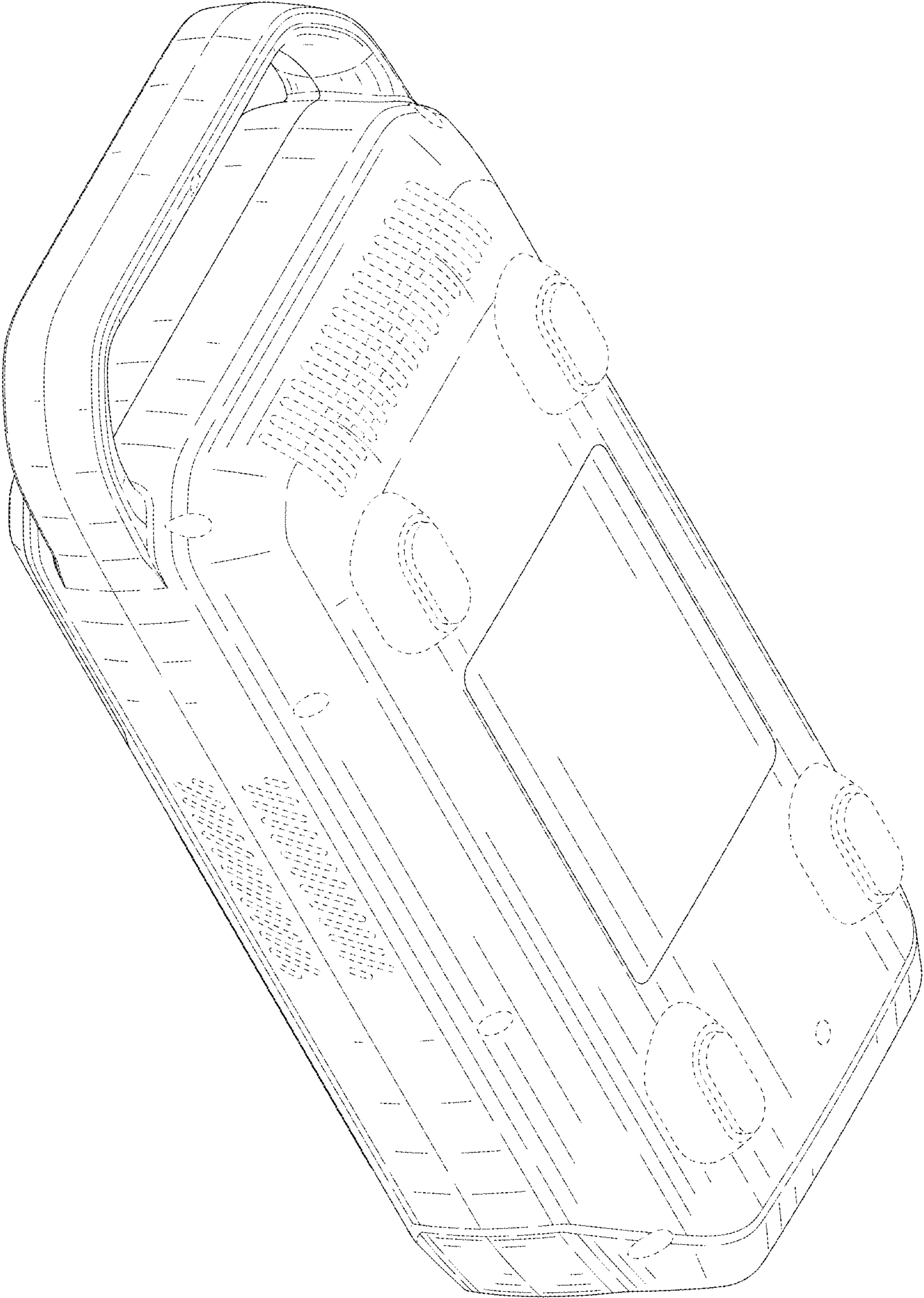


FIG. 2

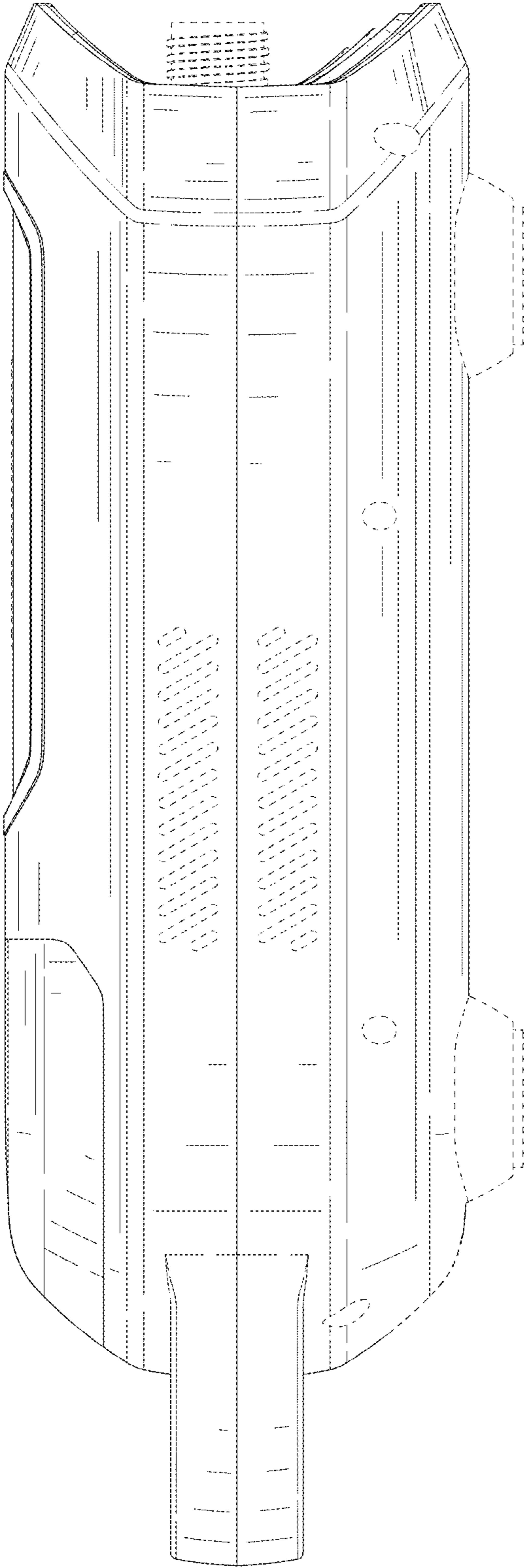


FIG. 3

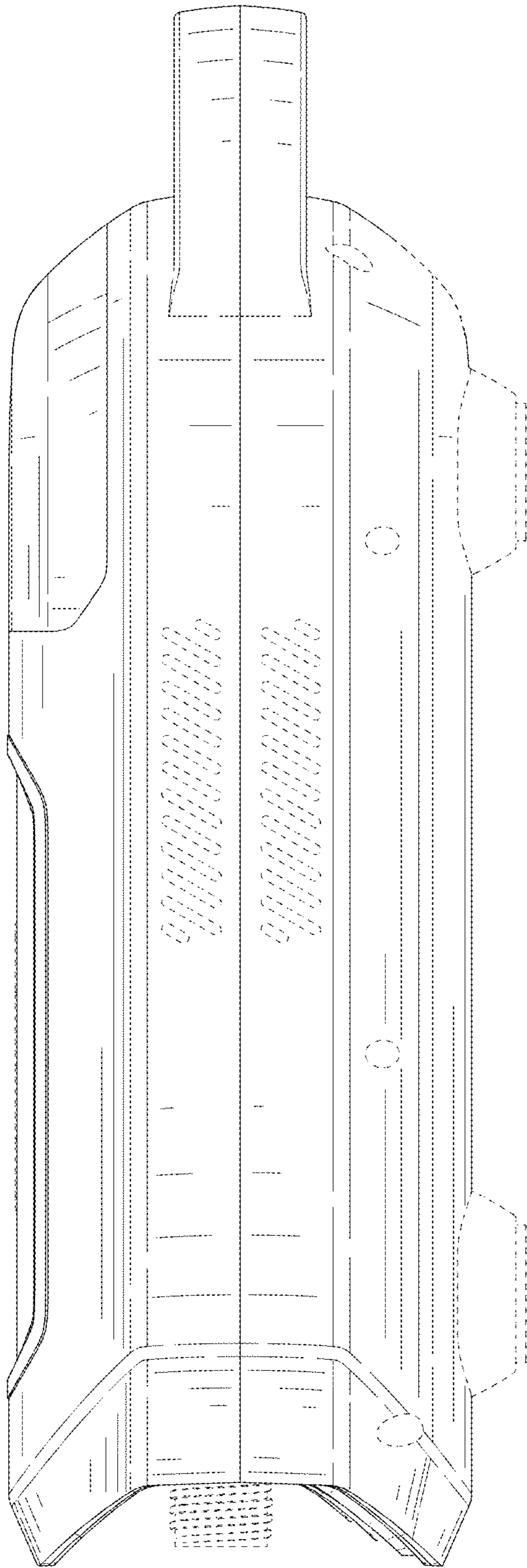


FIG. 4

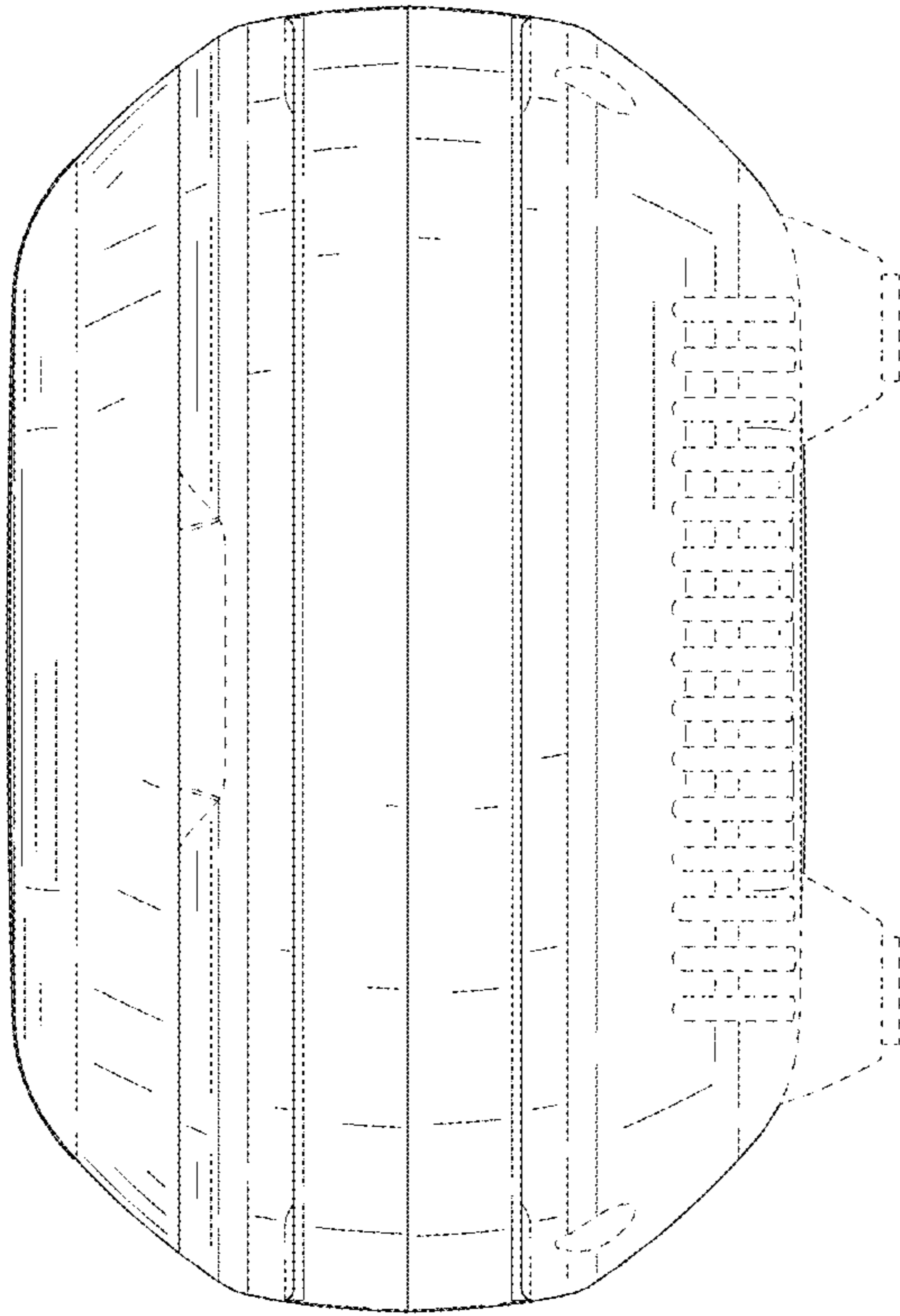


FIG. 5

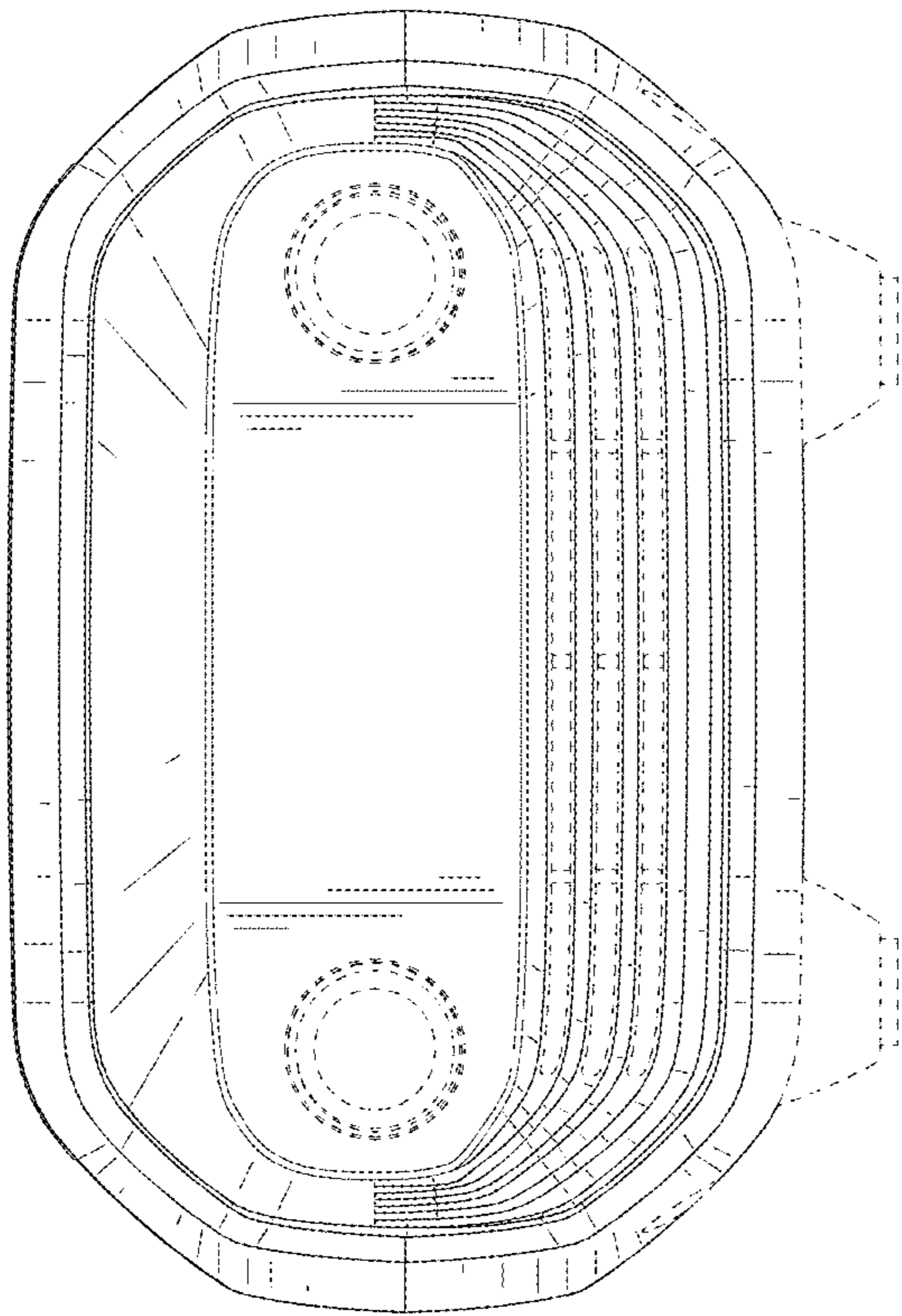


FIG. 6



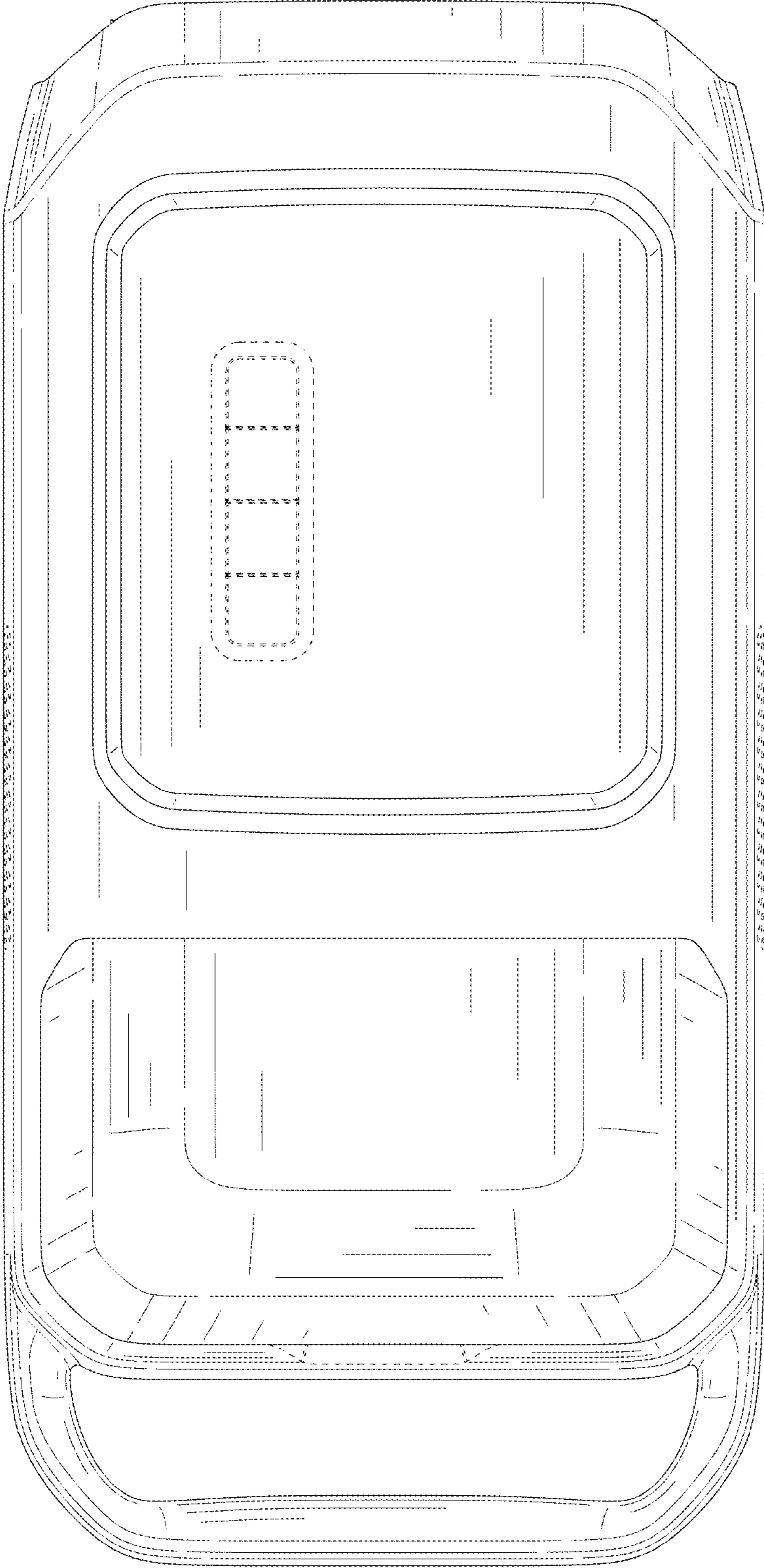


FIG. 7

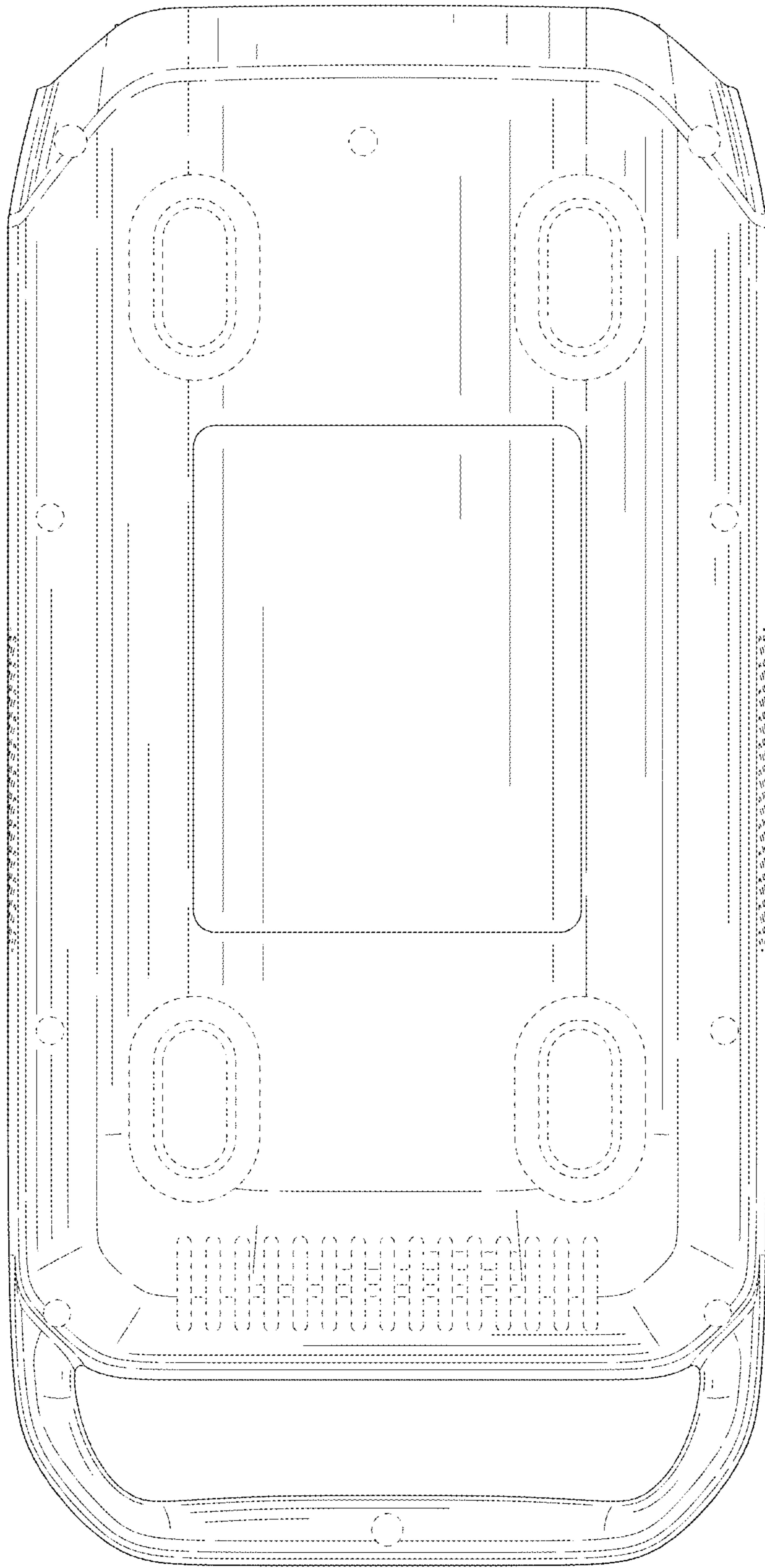


FIG. 8