



US0D1020517S

(12) **United States Design Patent** (10) **Patent No.:** **US D1,020,517 S**
Huerta (45) **Date of Patent:** **** Apr. 2, 2024**

- (54) **ARTICLE OF JEWELRY**
- (71) Applicant: **The Little Catholic LLC**, Rowland Heights, CA (US)
- (72) Inventor: **Priscilla Huerta**, Rowland Heights, CA (US)
- (73) Assignee: **The Little Catholic**, Rowland Heights, CA (US)
- (**) Term: **15 Years**
- (21) Appl. No.: **29/812,993**
- (22) Filed: **Oct. 26, 2021**
- (51) **LOC (14) Cl.** **11-01**
- (52) **U.S. Cl.**
USPC **D11/14**
- (58) **Field of Classification Search**
USPC D11/1-4, 6, 14-15, 17, 33, 37-38, 95, D11/99, 106, 115
CPC A44C 15/00; A44C 25/00; A44C 5/00; A44C 5/0084; A44C 5/0092; A44C 5/10; A44C 7/00; A44C 9/00
See application file for complete search history.

- D827,481 S * 9/2018 Buccellati D11/26
- D834,441 S * 11/2018 Ashoff D11/4
- D853,883 S * 7/2019 Hill D11/79
- D922,237 S * 6/2021 Parvex D11/4

OTHER PUBLICATIONS

The Little Catholic Mystical Rose Ring, Date Available Mar. 11, 2021, Facebook, Site Visited on Mar. 21, 2023: <https://www.facebook.com/TheLittleCatholic/photos/pb.100063556930905.-2207520000./1086983371809359/> (Year: 2021).*

(Continued)

Primary Examiner — Gino Colan
Assistant Examiner — Nicole M. Leech
(74) *Attorney, Agent, or Firm* — Baumgartner Patent Law; Marc Baumgartner

(57) **CLAIM**

The ornamental design for an article of jewelry, as shown and described.

DESCRIPTION

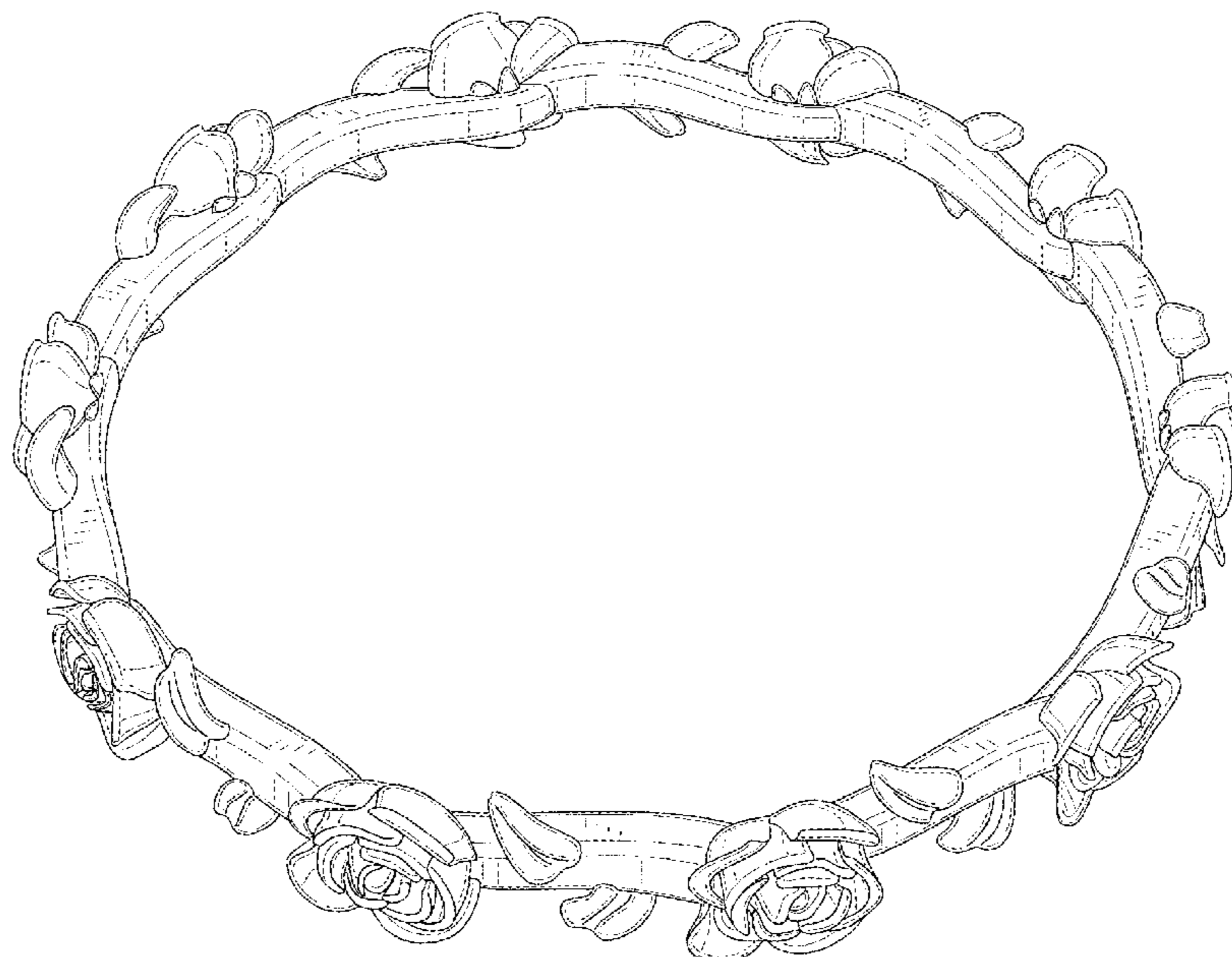
FIG. 1 is a top-front perspective view of an article of jewelry showing my new design;
FIG. 2 is a top-rear perspective view of the article of jewelry of FIG. 1;
FIG. 3 is a bottom-front perspective view of the article of jewelry of FIG. 1;
FIG. 4 is a bottom-rear perspective view of the article of jewelry of FIG. 1;
FIG. 5 is a top view of the article of jewelry of FIG. 1;
FIG. 6 is a bottom view of the article of jewelry of FIG. 1;
FIG. 7 is a front view of the article of jewelry of FIG. 1;
FIG. 8 is a rear view of the article of jewelry of FIG. 1;
FIG. 9 is a left-side view of the article of jewelry of FIG. 1; and,
FIG. 10 is a right-side view of the article of jewelry of FIG. 1.

1 Claim, 7 Drawing Sheets

(56) **References Cited**

U.S. PATENT DOCUMENTS

- D67,793 S * 7/1925 Clemens D11/38
- D133,965 S * 9/1942 Raimond D11/14
- D133,966 S * 9/1942 Raimond D11/14
- D163,352 S * 5/1951 Bastio D11/4
- D169,182 S * 3/1953 Philippe D11/16
- D304,695 S * 11/1989 Bulgari D11/15
- D702,584 S * 4/2014 Cipolla D11/4
- D750,527 S * 3/2016 Roth D11/4
- D753,531 S * 4/2016 Roth D11/4
- D784,181 S * 4/2017 Niv D11/26



(56)

References Cited

OTHER PUBLICATIONS

Rose 14K Gold Ring, Date Available Jun. 14, 2021, Etsy, Site Visited on Mar. 21, 2023: <https://www.etsy.com/il-en/listing/563307180/rose-14k-gold-ring-unique-wedding-band> (Year: 2021).*

14K Yellow Gold Mystical Rose Ring, No Date Available, Joy Jewelers, Site Visited on Mar. 21, 2023: https://www.joyjewelers.com/modules/catalog/customizer/step1.php?products_id=99599 (Year: 2023).*

* cited by examiner



FIG. 1



FIG. 2

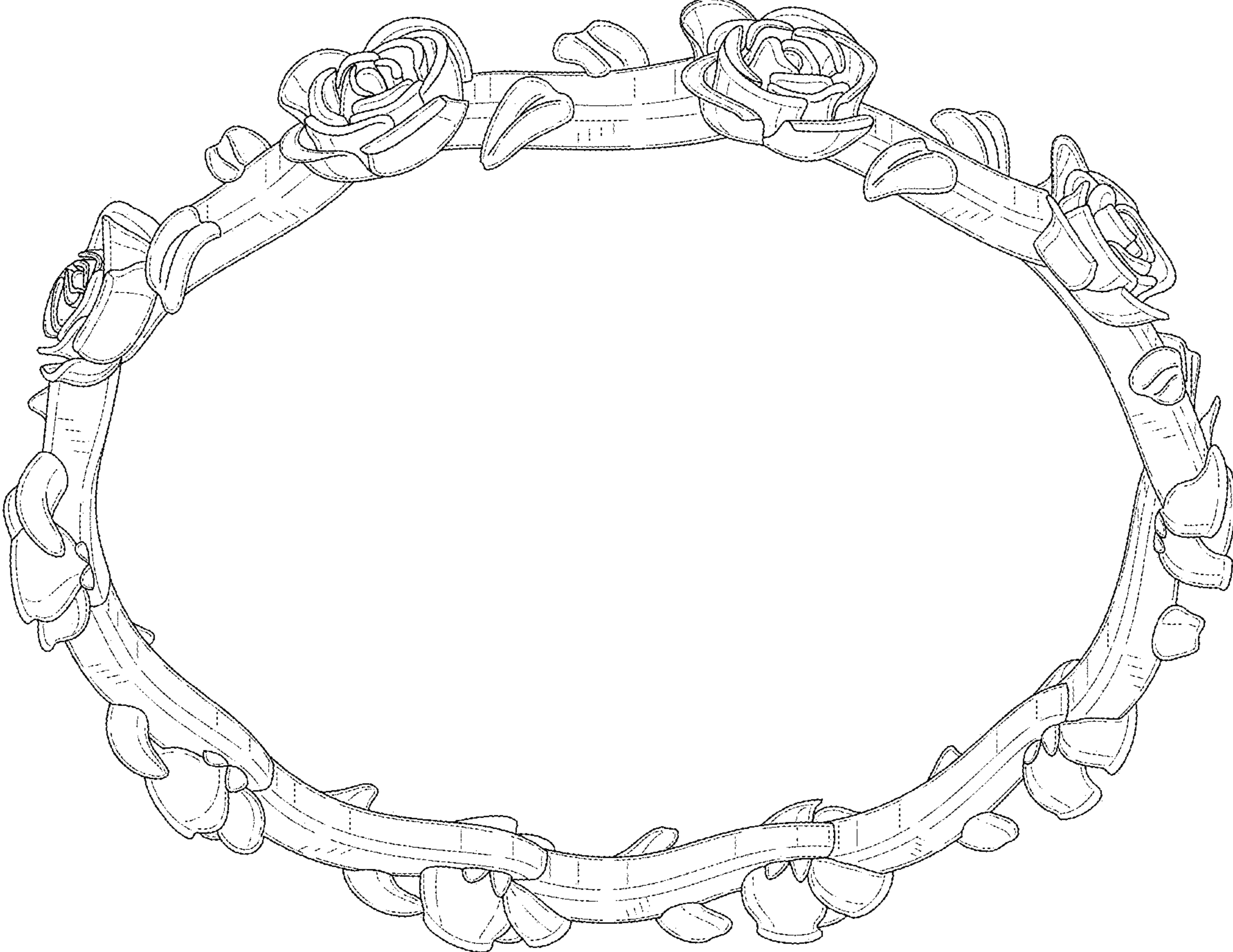


FIG. 3

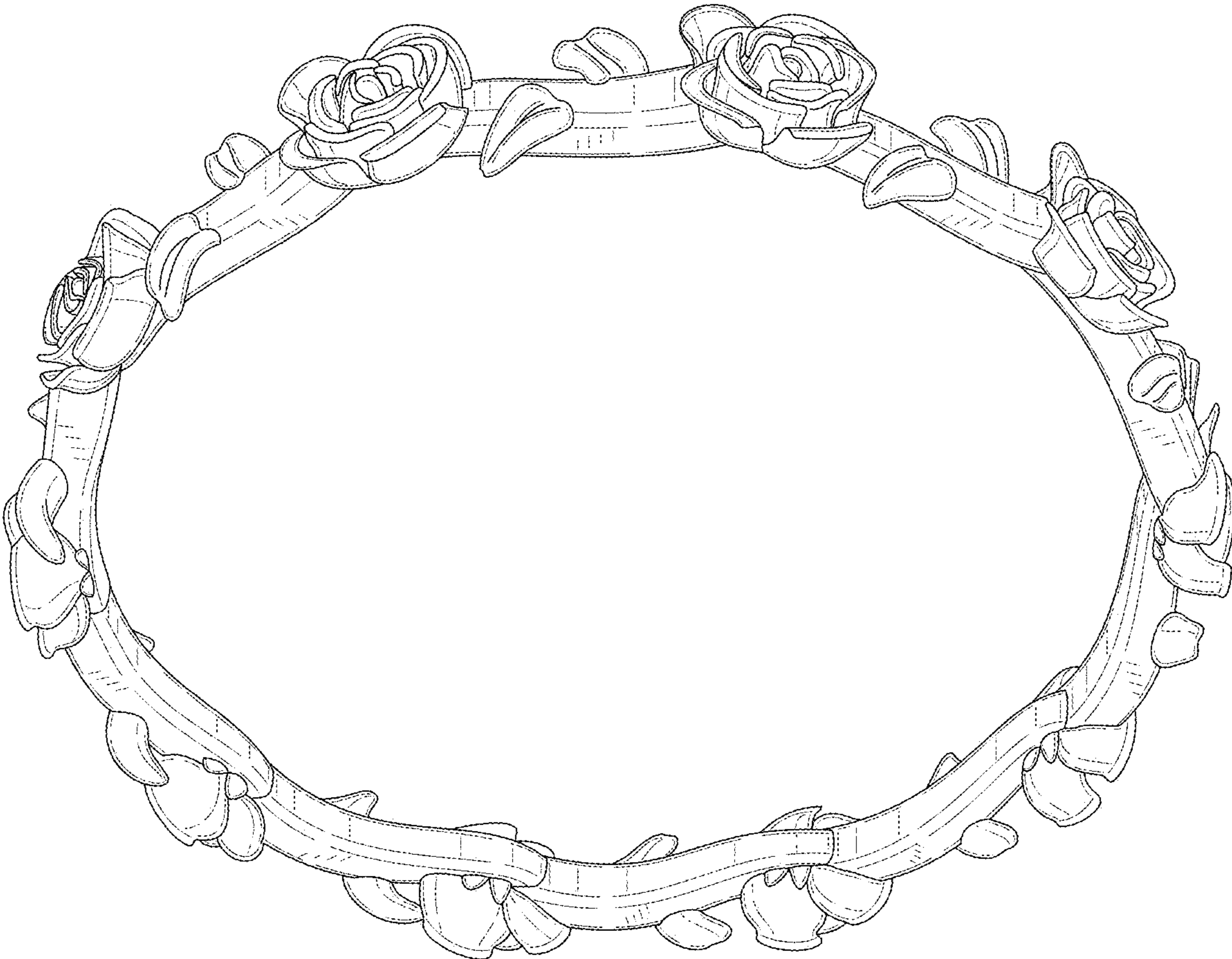


FIG. 4

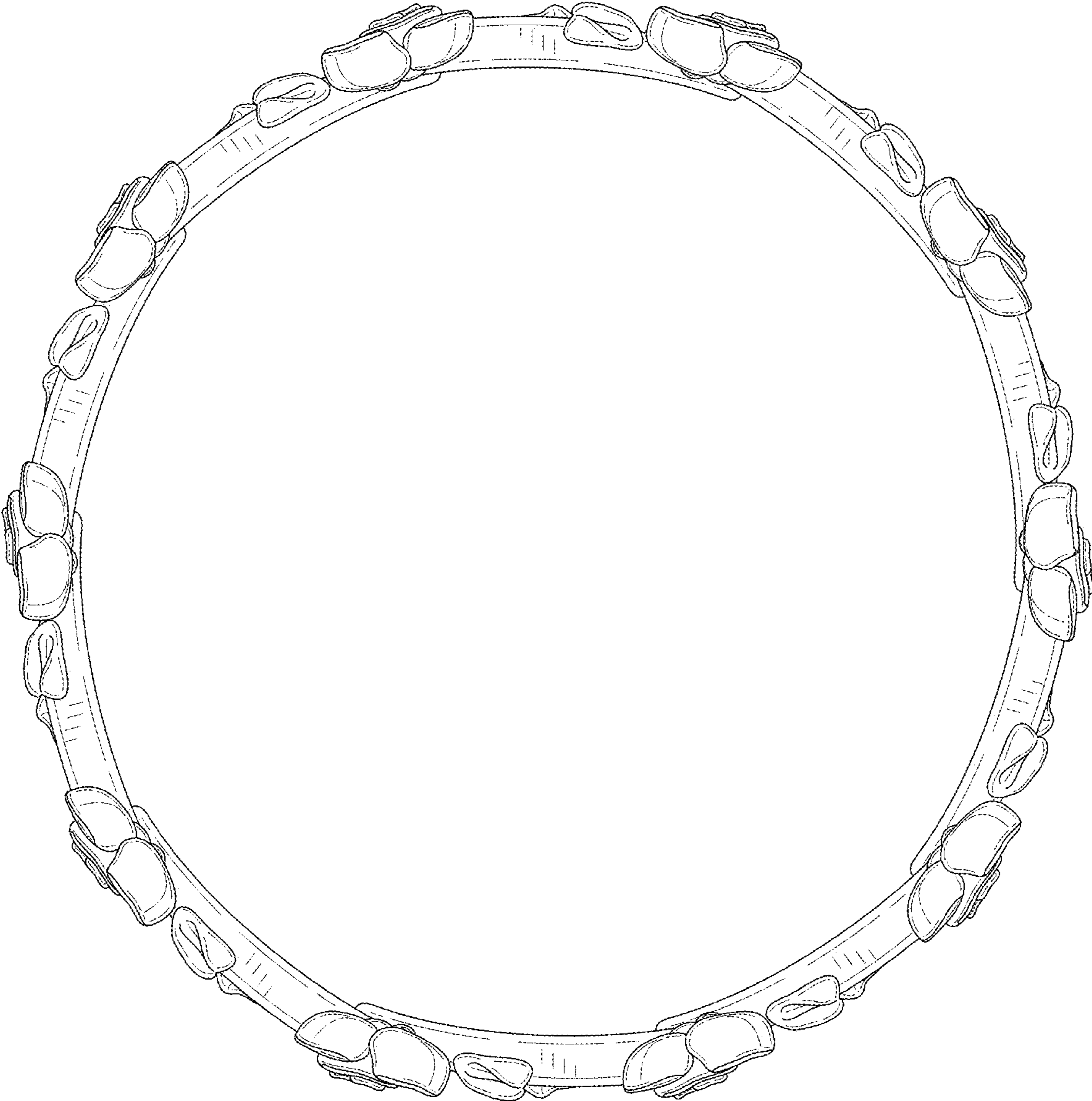


FIG. 5

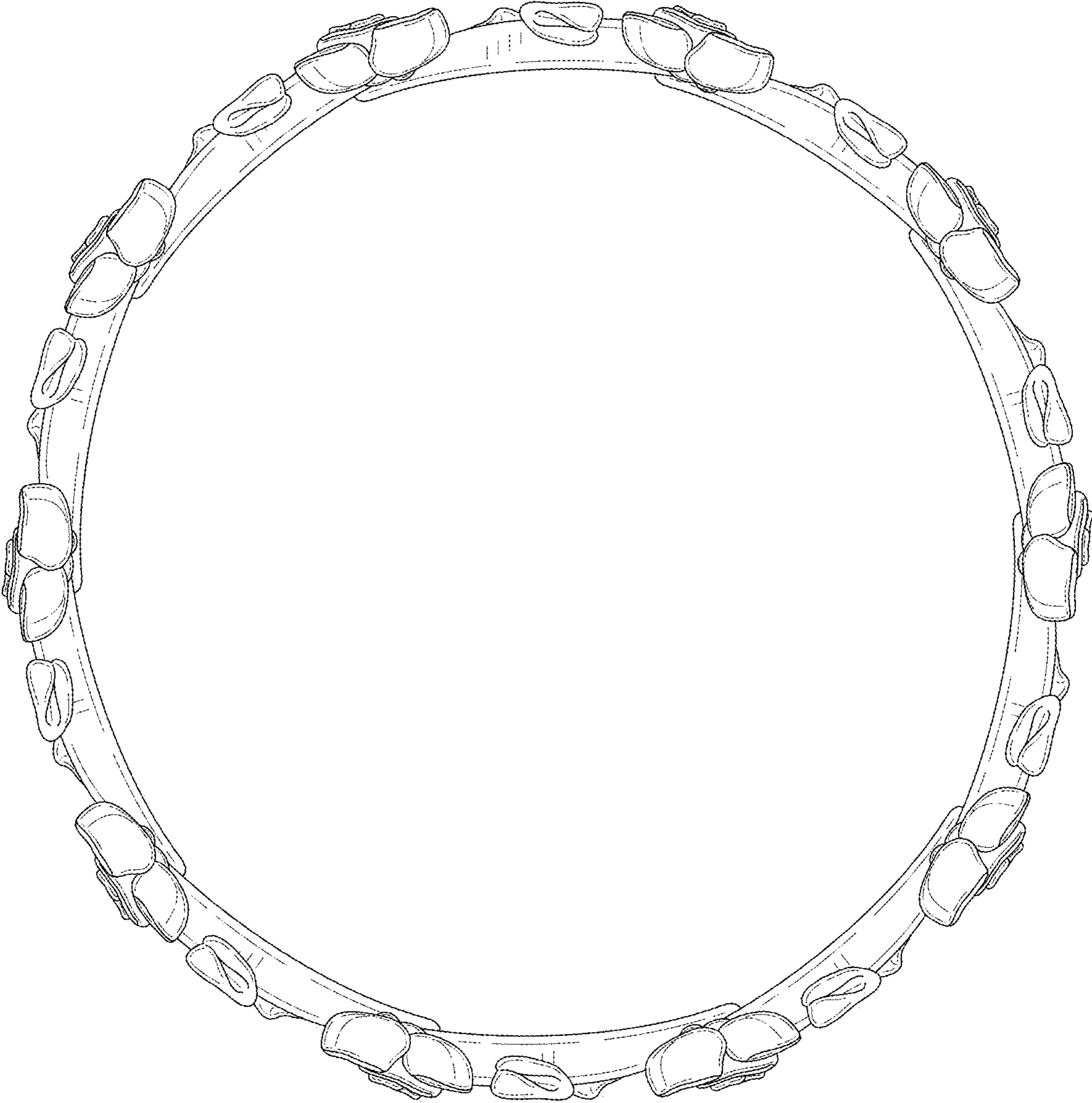


FIG. 6

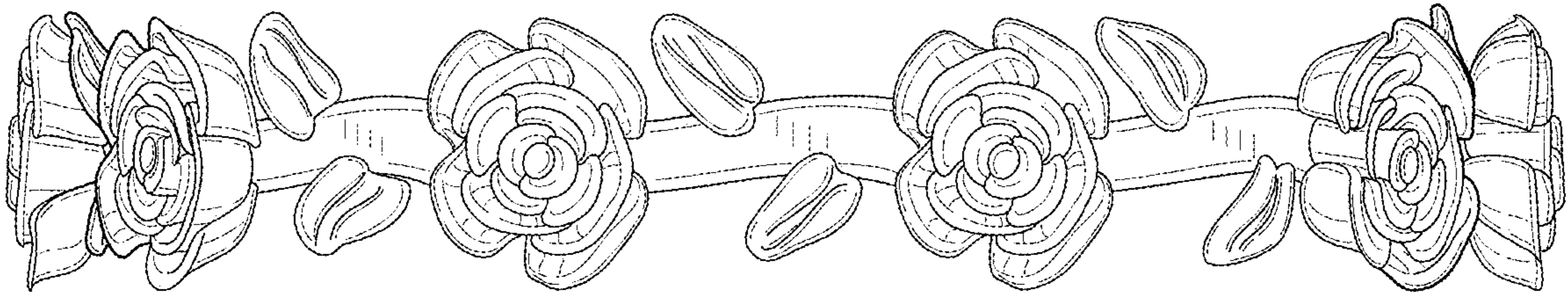


FIG. 7

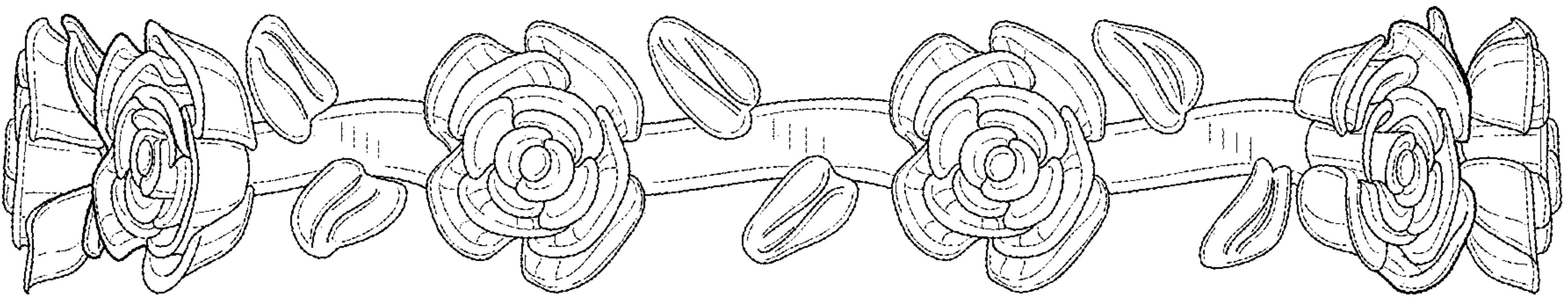


FIG. 8

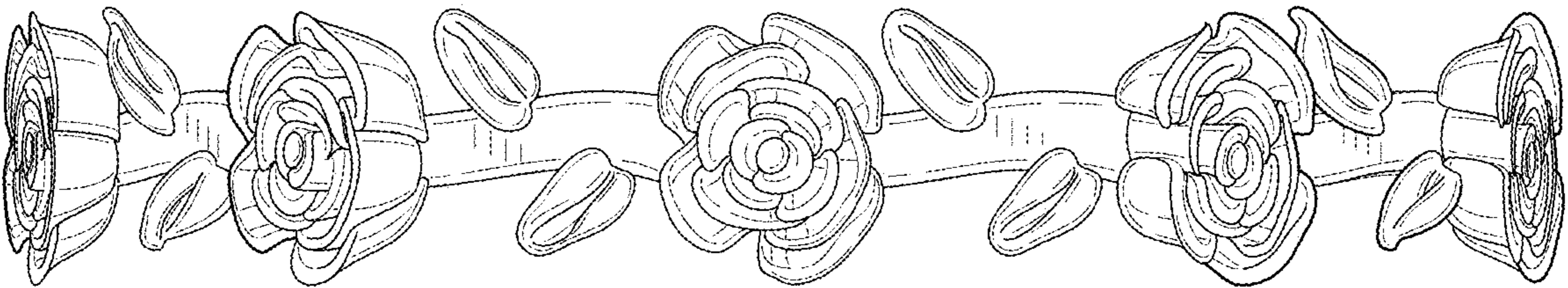


FIG. 9

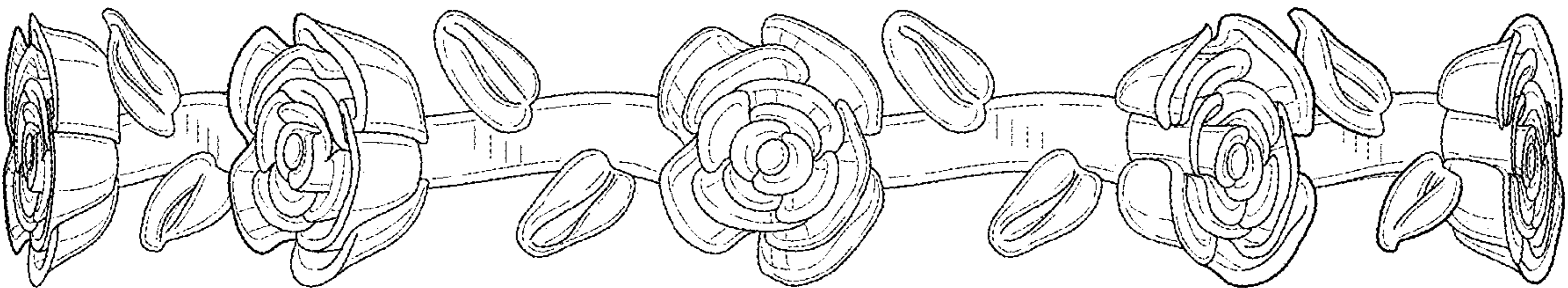


FIG. 10