



US0D1020452S

(12) **United States Design Patent** (10) **Patent No.:** **US D1,020,452 S**  
**Hayes** (45) **Date of Patent:** **\*\* Apr. 2, 2024**

(54) **DISPLAY CASE**  
(71) Applicant: **Nicholas Michael Hayes**, Corona, CA (US)  
(72) Inventor: **Nicholas Michael Hayes**, Corona, CA (US)  
(\*\*) Term: **15 Years**  
(21) Appl. No.: **29/787,974**  
(22) Filed: **Jun. 9, 2021**  
(51) **LOC (14) Cl.** ..... **09-03**  
(52) **U.S. Cl.**  
USPC ..... **D9/418**  
(58) **Field of Classification Search**  
USPC ..... D9/414, 415, 418, 432, 456, 457, 756;  
D19/113; D20/10, 27, 42; D14/475,  
D14/477; D6/672, 675, 682  
CPC . B65D 85/00; B65D 85/44; A47F 7/03; A47F  
7/00; A47F 7/14; A47G 1/06; A47G  
1/0605  
See application file for complete search history.

(56) **References Cited**  
**U.S. PATENT DOCUMENTS**  
4,255,001 A \* 3/1981 Frishman ..... B65D 85/44  
211/41.7  
D297,490 S \* 9/1988 Suttles ..... D6/703  
D353,842 S \* 12/1994 Nettik ..... D20/27  
D368,588 S \* 4/1996 Goraleski ..... D6/300  
(Continued)

**FOREIGN PATENT DOCUMENTS**  
CN 201498159 U 6/2010  
CN 204008745 U 12/2014  
(Continued)

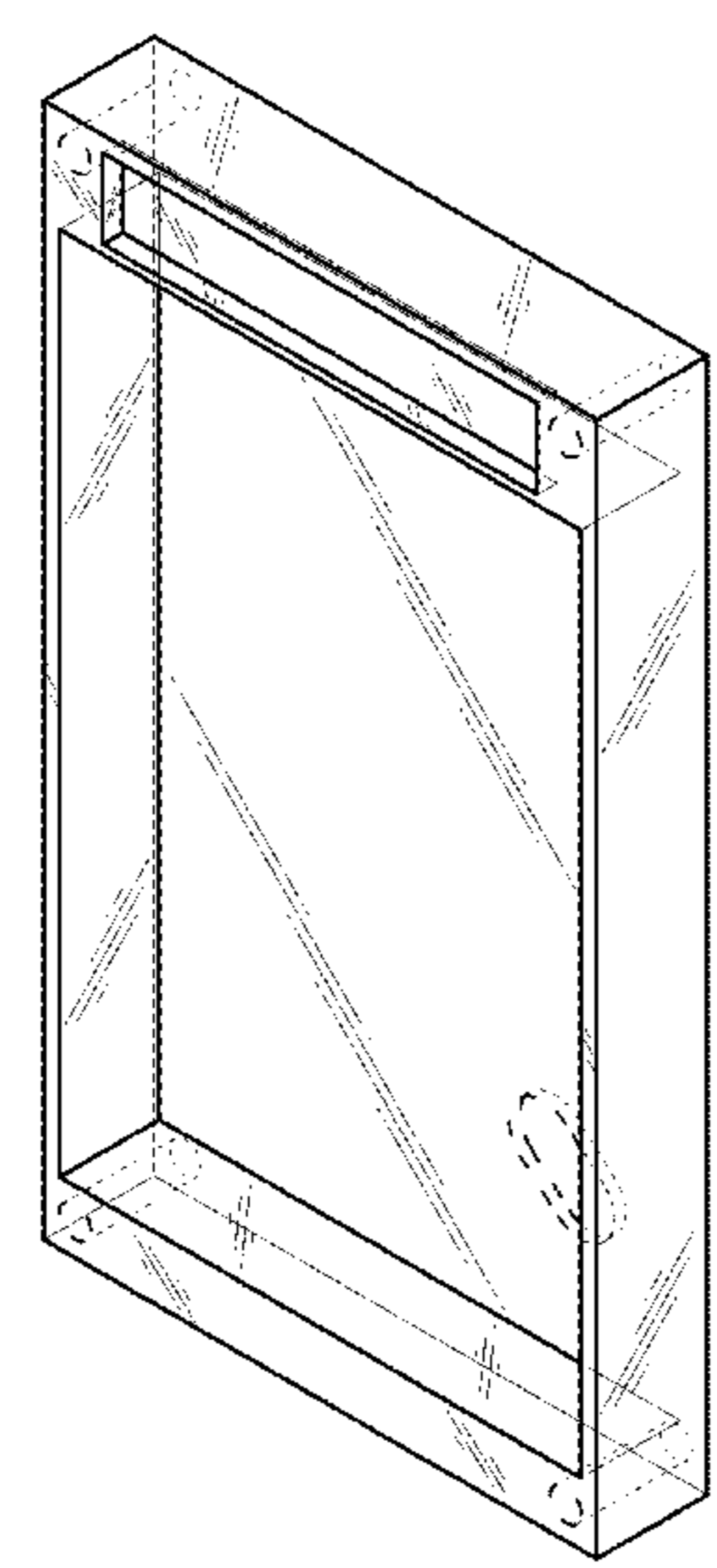
**OTHER PUBLICATIONS**  
How To Make A Floating Acrylic Frame—YouTube. Date posted:  
Feb. 3, 2017. Site visited: Mar. 22, 2023. Available online: [https://www.youtube.com/watch?v=b-ktqbvz\\_tw](https://www.youtube.com/watch?v=b-ktqbvz_tw) (Year: 2017).\*  
(Continued)

*Primary Examiner* — Catherine S Posthauer  
*Assistant Examiner* — Joan E. Diehl

(57) **CLAIM**  
The ornamental design for a display case, as shown and described.

**DESCRIPTION**  
FIG. 1 is a top-front-left perspective view of a display case showing my new design;  
FIG. 2 is a bottom-rear-right perspective view thereof;  
FIG. 3 is a front elevational view thereof;  
FIG. 4 is a rear elevational view thereof;  
FIG. 5 is a top plan view thereof;  
FIG. 6 is a bottom plan view thereof;  
FIG. 7 is a right elevational view thereof;  
FIG. 8 is a left elevational view thereof;  
FIG. 9 is a cross-sectional view taken along line 9-9 in FIG. 4;  
FIG. 10 is a reduced exploded top-front-left perspective view thereof, shown with environmental subject matter of a display, a display carrier, a label, and a pair of lids;  
FIG. 11 is a reduced exploded bottom-rear-right perspective view thereof; and,  
FIG. 12 is a top-front-left perspective view thereof, shown in an assembled configuration.  
The broken lines are shown for the purpose of illustrating both parts of the article as well as environmental subject matter of a display carrier, label, and pair of lids. The broken lines with thicker line weight are shown for the purpose of illustrating edges of orifices that can be directly seen. The broken lines with thinner line weight are shown for the purpose of illustrating edges of orifices that can be seen through transparent material of the display case. None of the broken lines form part of the claimed design.

**1 Claim, 12 Drawing Sheets**



(56)

**References Cited**

U.S. PATENT DOCUMENTS

D370,568	S	*	6/1996	Wynne	.....	D6/306
D393,008	S	*	3/1998	Hiraguchi	.....	D20/42
D458,063	S	*	6/2002	List, Jr.	.....	D6/703
D458,064	S	*	6/2002	List, Jr.	.....	D6/703
D543,206	S	*	5/2007	Maruyama	.....	D14/481
D709,758	S	*	7/2014	Burdock-Latter	.....	D9/418
D790,266	S	*	6/2017	Bey	.....	D6/703
D864,708	S	*	10/2019	Li	.....	D9/418
2015/0022066	A1	*	1/2015	Dimitrakos	.....	A47F 7/03 312/140

FOREIGN PATENT DOCUMENTS

EP	1069459	A2	1/2001
GB	6058615	*	4/2019
JP	D1676648	*	1/2021
KR	301052024.0000	*	3/2020

OTHER PUBLICATIONS

Azar Displays Vertical/Horizontal Sign Holder. Date first available: Feb. 20, 2016. Site visited: Mar. 22, 2023. Available online: [https://www.staples.com/Azar-Acrylic-Block-Sign-Holder-Clear-Acrylic-3-x-4-5-1-Pack-104438/product\\_1558790](https://www.staples.com/Azar-Acrylic-Block-Sign-Holder-Clear-Acrylic-3-x-4-5-1-Pack-104438/product_1558790) (Year: 2016).\*

16x20 Wall Mounted Exhibit Case w/ Linen Backing, Acrylic Vitrine. Date first available: Oct. 22, 2018. Site visited: Mar. 22, 2023. Available online: <https://www.displays2go.com/P-37149/16-x-20-Linen-Backed-Exhibit-Wall-Frame-Acrylic-Cover> (Year: 2018).\*

1591STCL, Digikey.com, <https://www.digikey.com/en/products/detail/hammond-manufacturing/1591STCL/1646698>.

\* cited by examiner

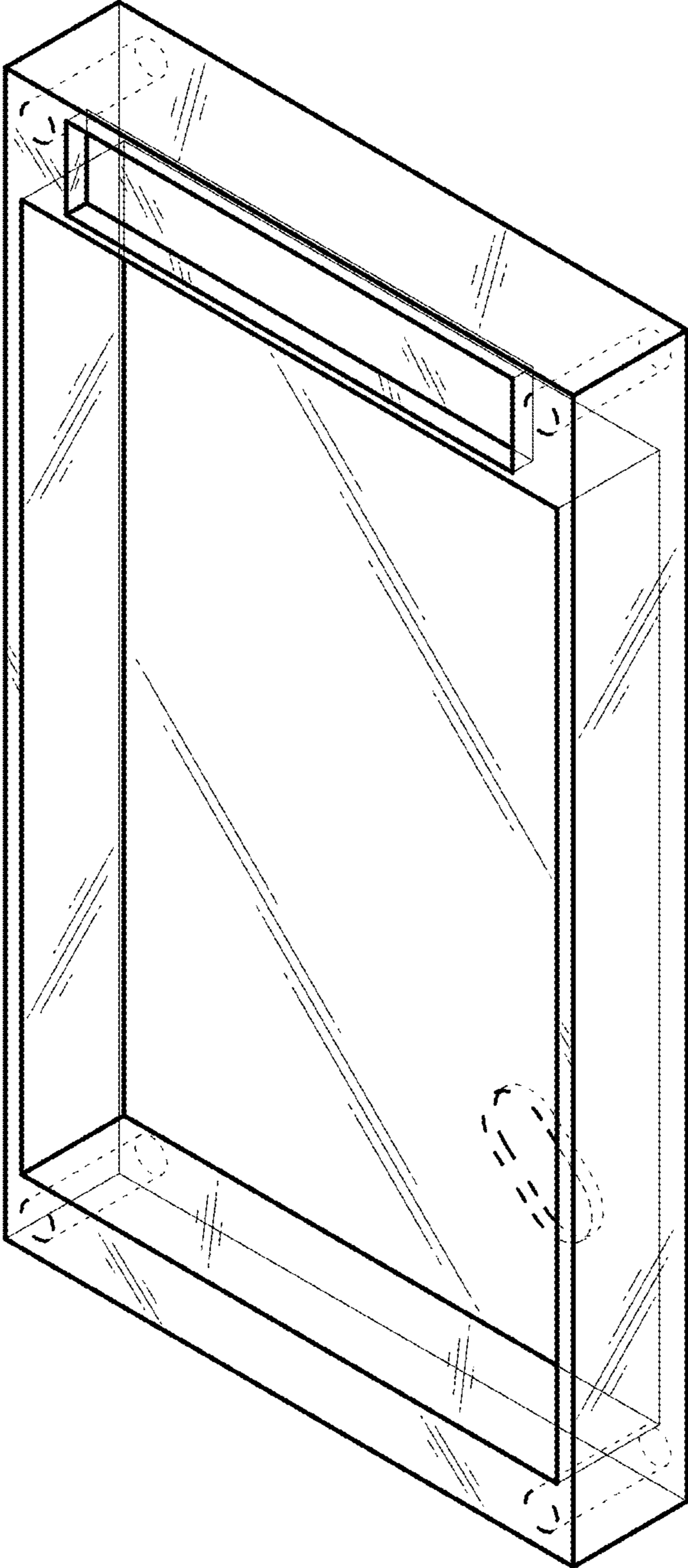


FIG. 1

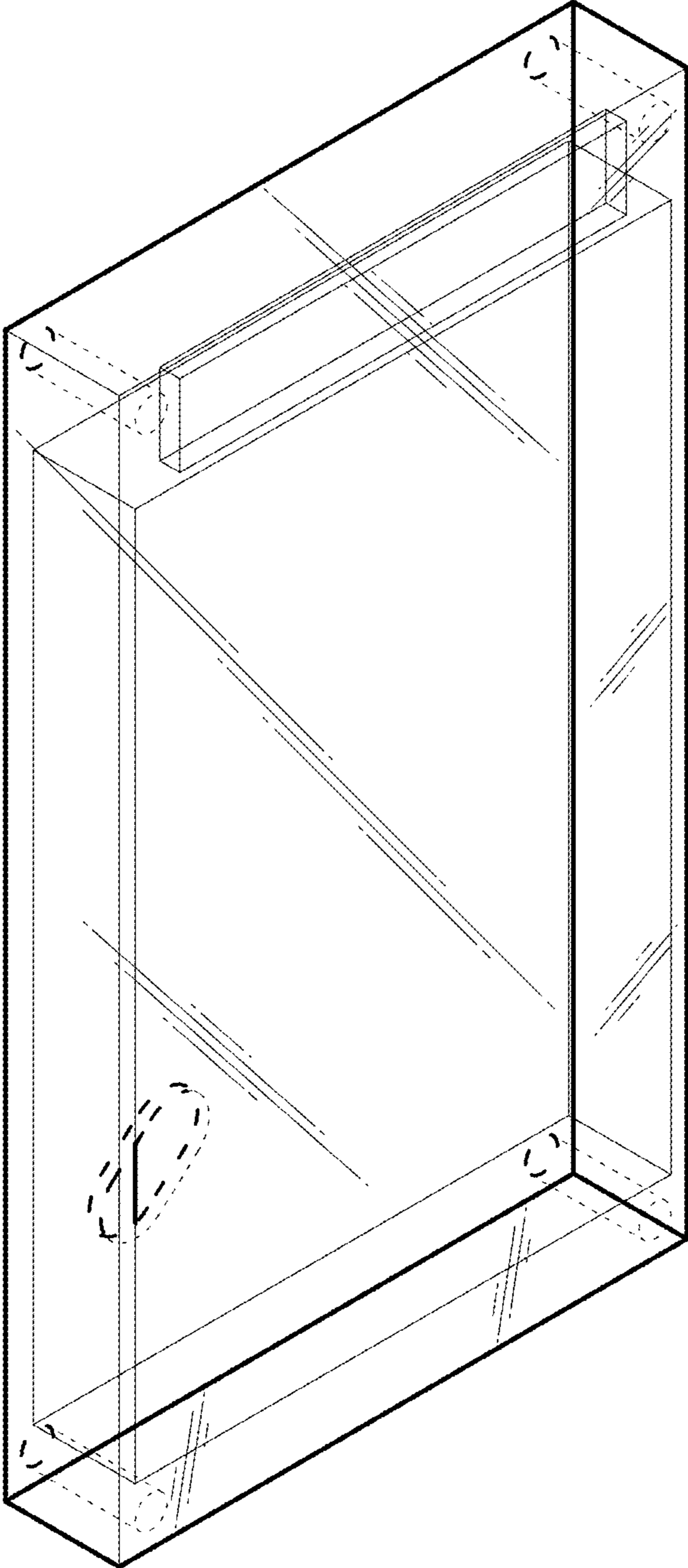


FIG. 2

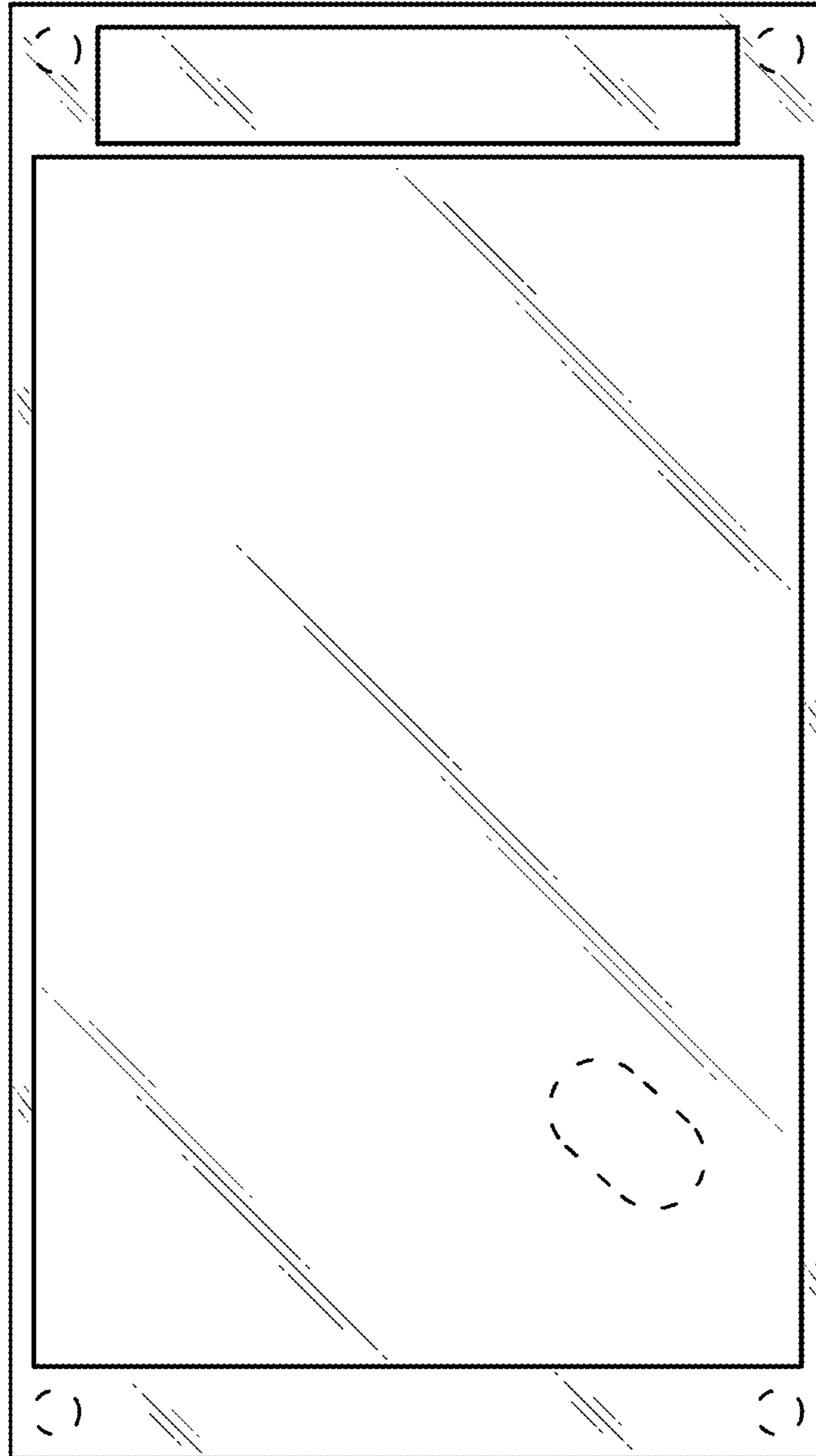


FIG. 3

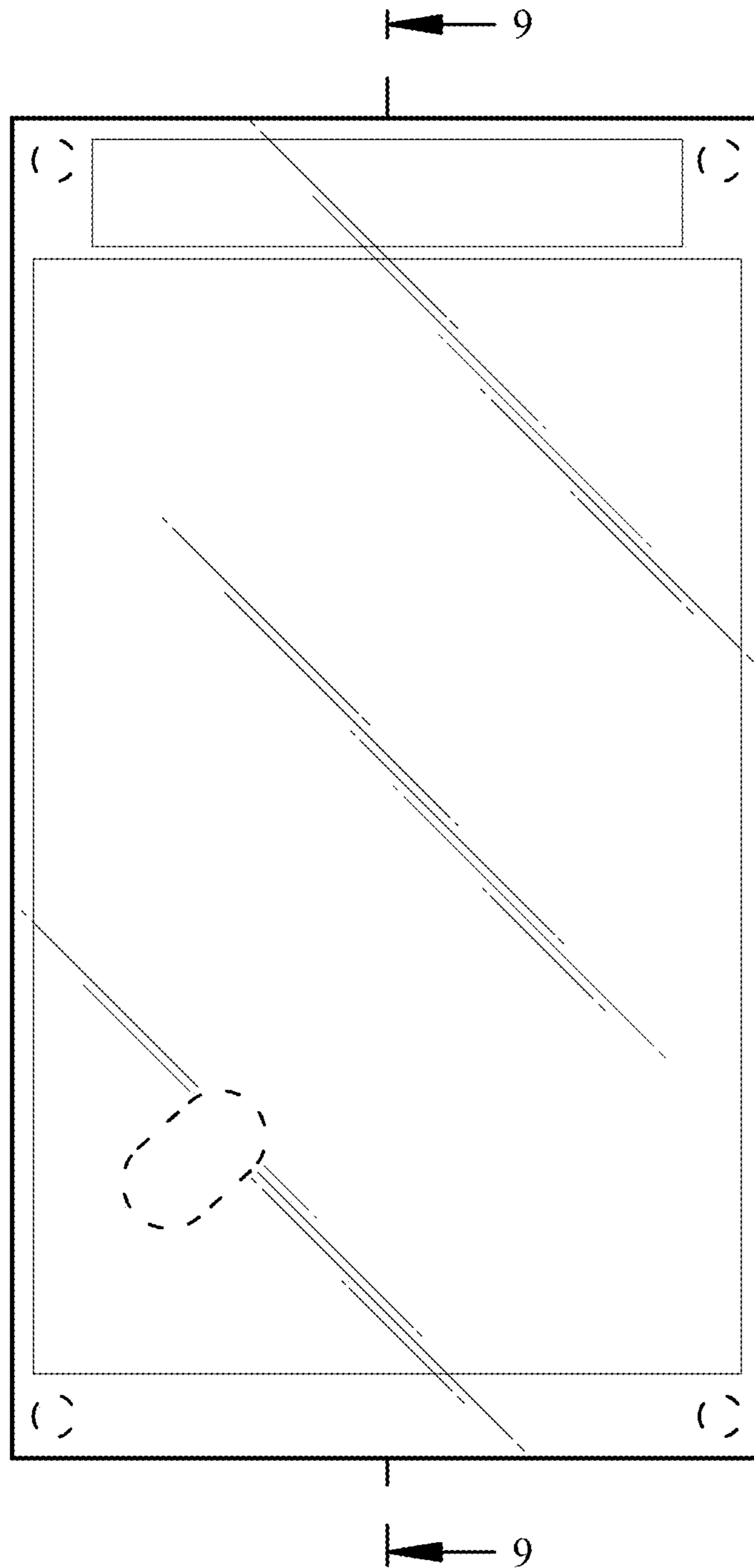


FIG. 4

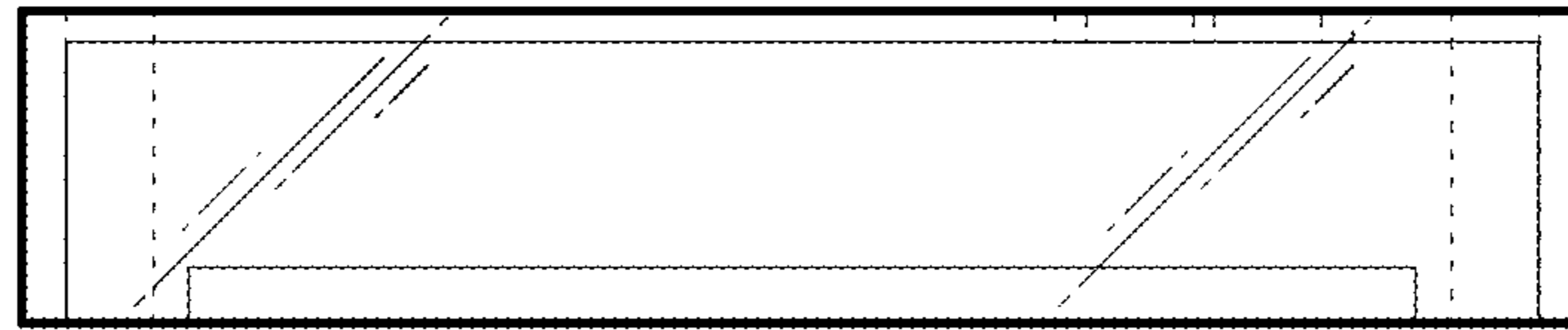


FIG. 5

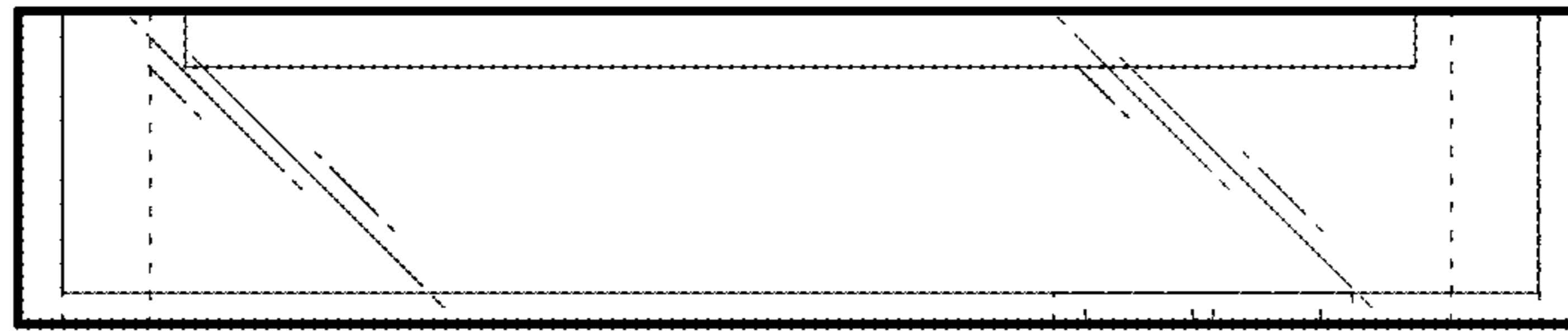


FIG. 6



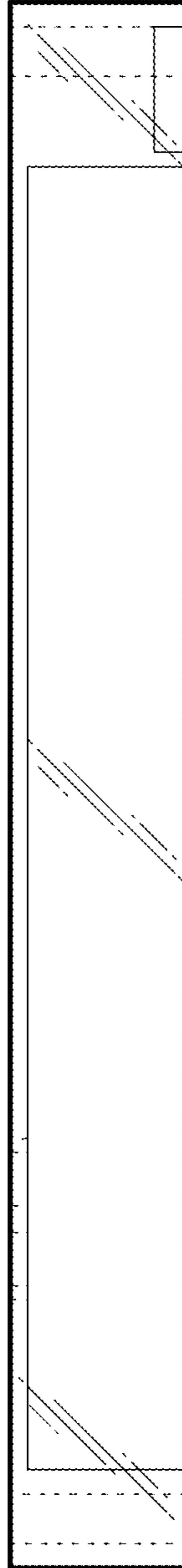


FIG. 7

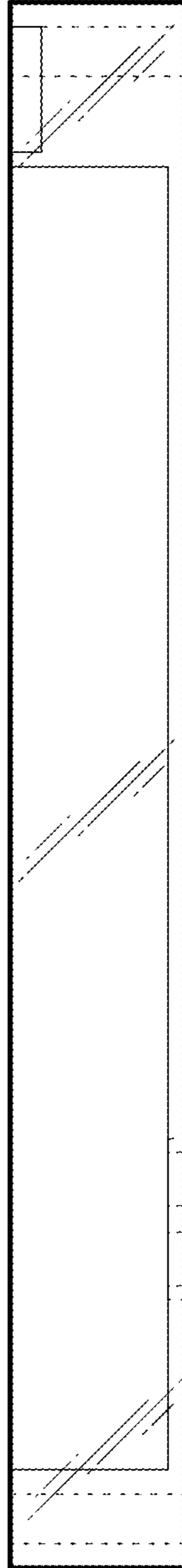


FIG. 8

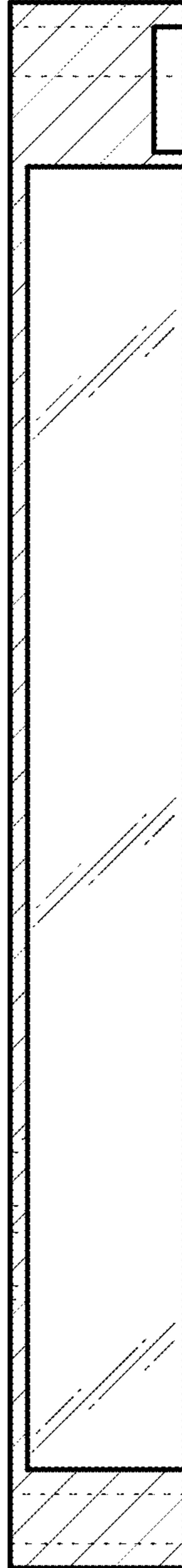


FIG. 9

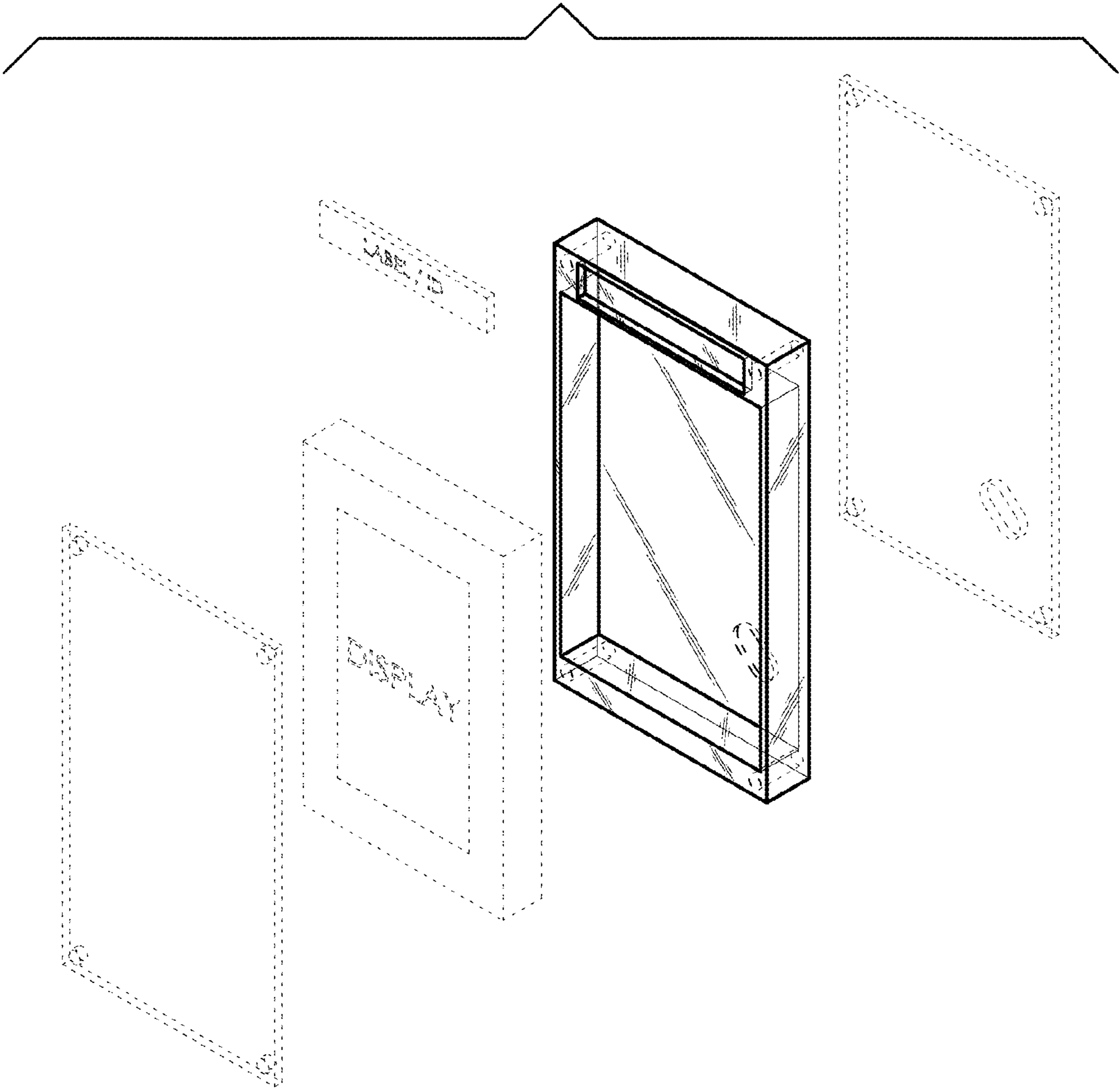


FIG. 10

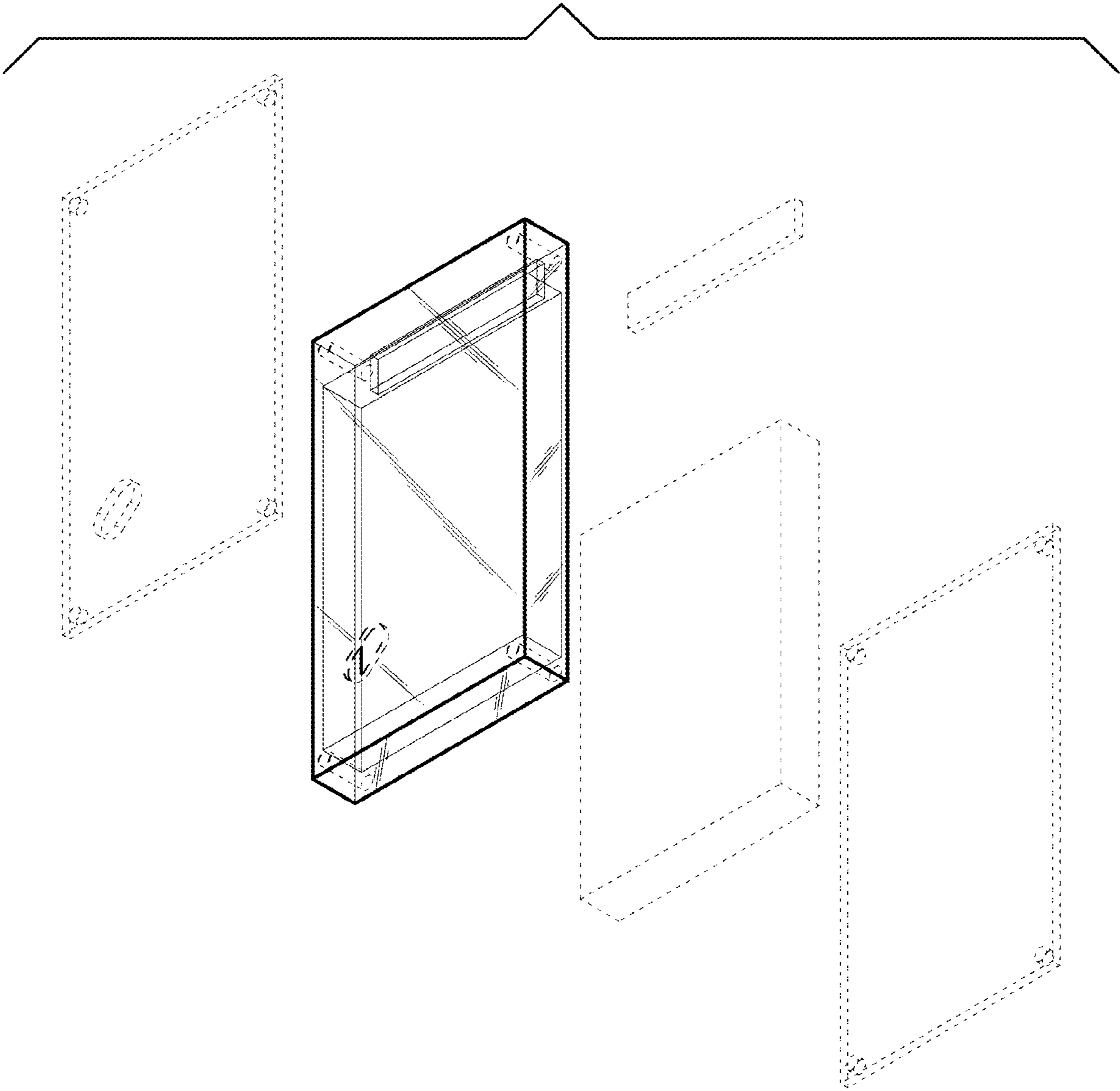


FIG. 11

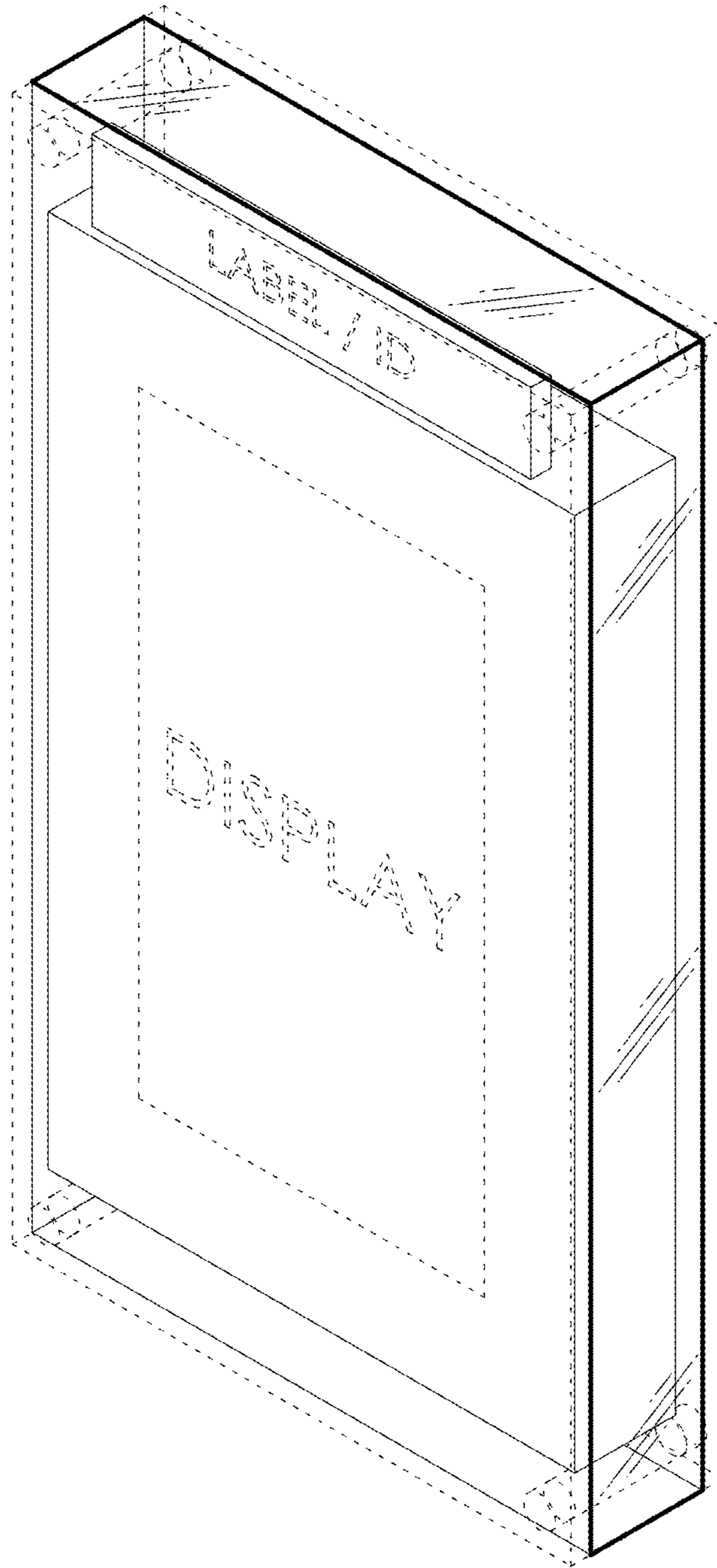


FIG. 12