



US0D1020430S

(12) **United States Design Patent** (10) **Patent No.:** **US D1,020,430 S**
Xu (45) **Date of Patent:** **** Apr. 2, 2024**

(54) **BABY TOILET LOCK**
(71) Applicant: **Jianhua Xu**, Guangzhou (CN)
(72) Inventor: **Jianhua Xu**, Guangzhou (CN)
(**) Term: **15 Years**
(21) Appl. No.: **29/917,880**

(22) Filed: **Nov. 22, 2023**
(51) **LOC (14) Cl.** **08-07**
(52) **U.S. Cl.**
USPC **D8/330**
(58) **Field of Classification Search**
USPC D8/330-333, 336, 338, 339-343, 346,
D8/400, 499
CPC A47K 13/242; E05B 65/0014
See application file for complete search history.

(56) **References Cited**

U.S. PATENT DOCUMENTS

2,698,439 A * 1/1955 Bruckner A47K 13/242
4/253
4,479,273 A * 10/1984 Raden A47K 13/242
4/240
4,715,629 A * 12/1987 Robinson F25D 29/006
292/288
4,894,870 A * 1/1990 Buckshaw A47K 13/10
292/210
5,347,663 A * 9/1994 Yost A47K 13/242
292/219
5,669,081 A * 9/1997 Scherer A47K 13/24
4/242.1
6,173,454 B1 * 1/2001 Alvarez A47K 13/242
4/242.1
6,314,589 B1 * 11/2001 Schilt A47K 13/242
70/159
D611,798 S * 3/2010 Le D8/331
D709,351 S * 7/2014 Le D8/331
D789,765 S * 6/2017 Wang D8/308
D901,280 S 11/2020 Jin
D933,450 S * 10/2021 Jin D8/330

D941,117 S * 1/2022 Rampen F16M 11/16
D8/339
D944,635 S * 3/2022 Wang D8/400
D1,000,948 S * 10/2023 Jin D8/330
2004/0028449 A1 * 2/2004 Waguespack B41J 29/54
400/679
2007/0061954 A1 * 3/2007 Watkins A47K 13/242
4/253
2018/0023323 A1 * 1/2018 Anderson E05B 65/46
292/80

OTHER PUBLICATIONS

Fangze, posted Feb. 17, 2021 [online], [retrieved Jan. 23, 2024].
Retrieved from internet, <https://www.amazon.com/dp/B08HSD8GC1/ref> (Year: 2021).*

* cited by examiner

Primary Examiner — David G Muller
Assistant Examiner — Christina G. Cosden
(74) *Attorney, Agent, or Firm* — Daniel M. Cohn;
Howard M. Cohn

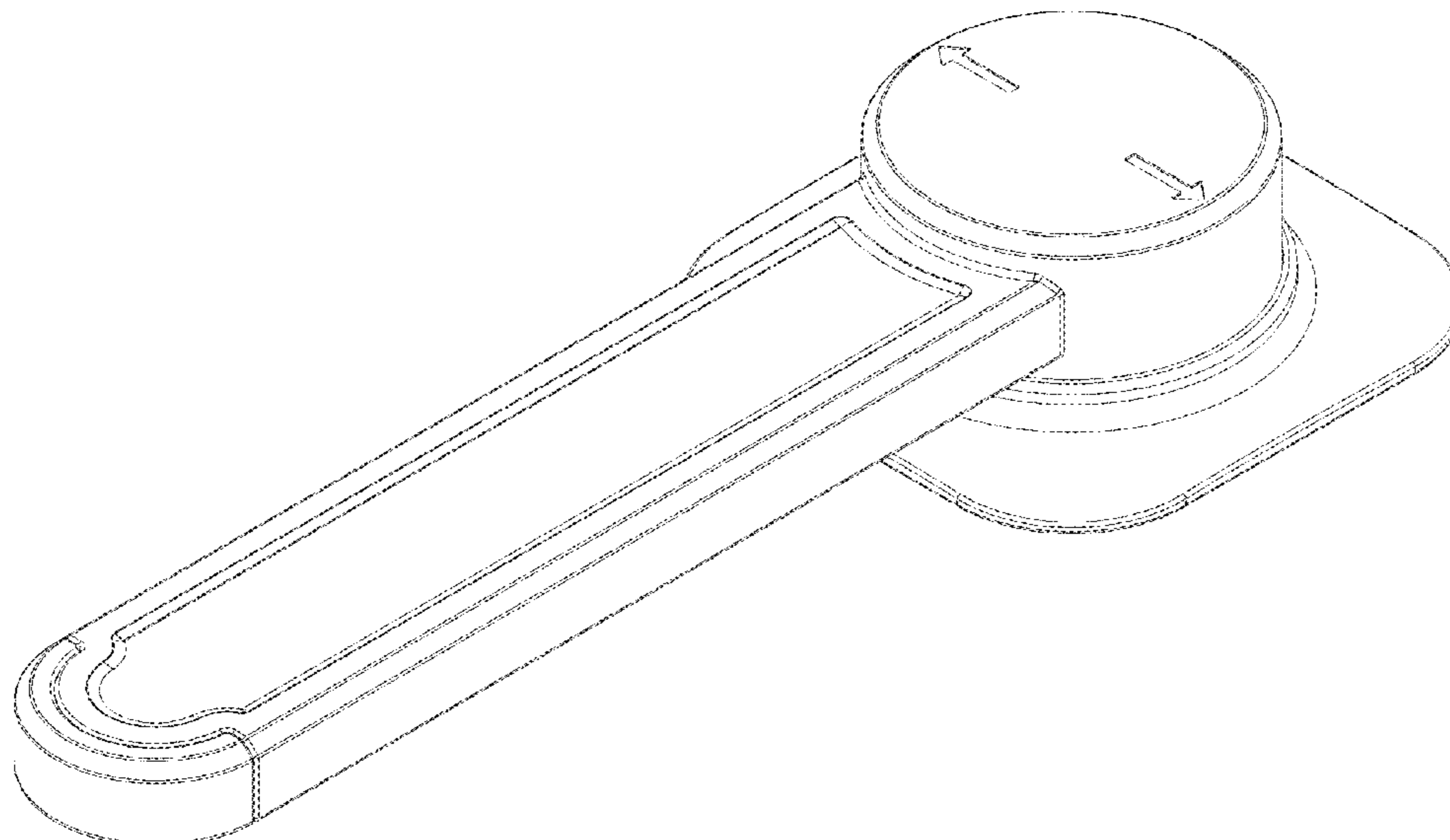
(57) **CLAIM**

The ornamental design for a baby toilet lock, as shown and described.

DESCRIPTION

FIG. 1 is a perspective view of baby toilet lock showing my new design;
FIG. 2 is another perspective view thereof;
FIG. 3 is a front elevation view thereof;
FIG. 4 is a rear elevation view thereof;
FIG. 5 is a left side elevation view thereof;
FIG. 6 is a right side elevation view thereof;
FIG. 7 is a top plan view thereof; and,
FIG. 8 is a bottom plan view thereof.
The broken lines in the drawings depict portions of the baby toilet lock that form no part of the claimed design.

1 Claim, 8 Drawing Sheets



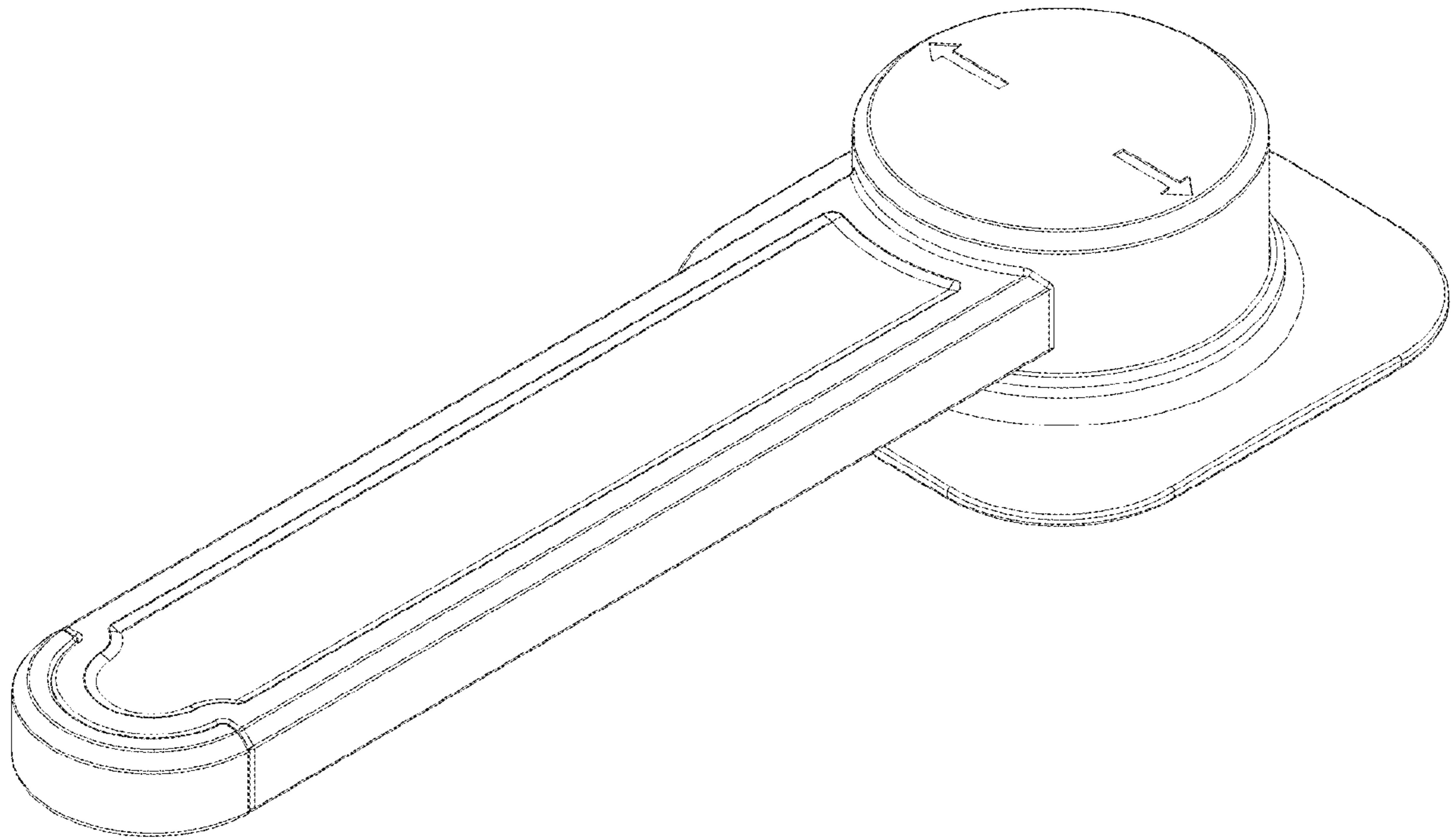


FIG.1

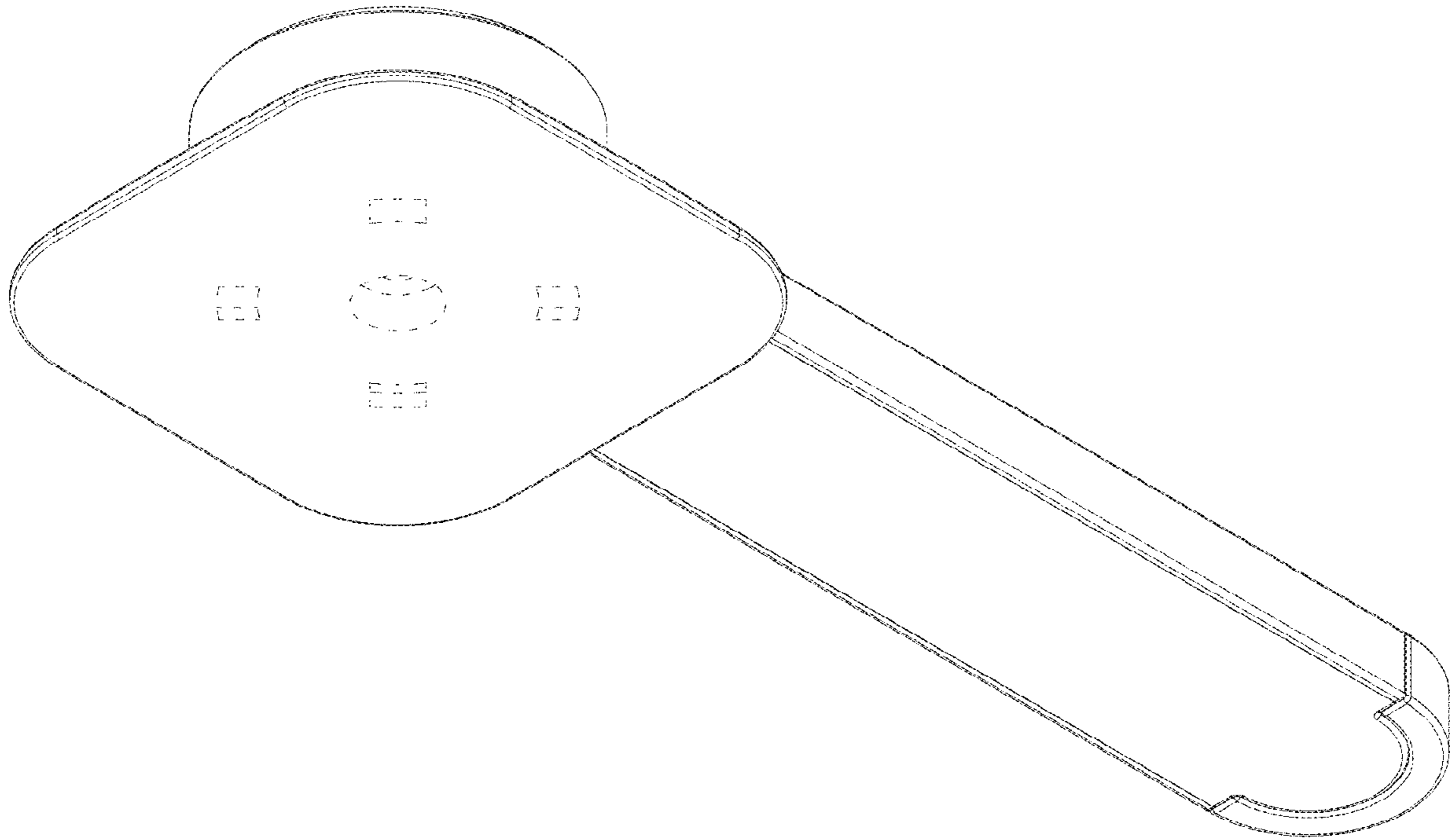


FIG.2

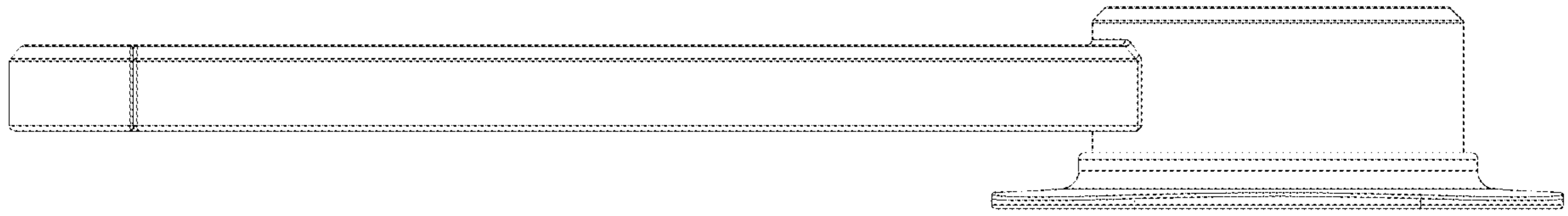


FIG.3

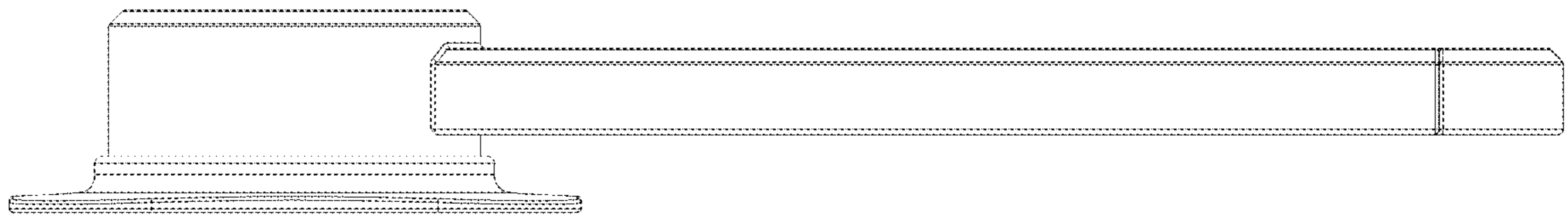


FIG.4

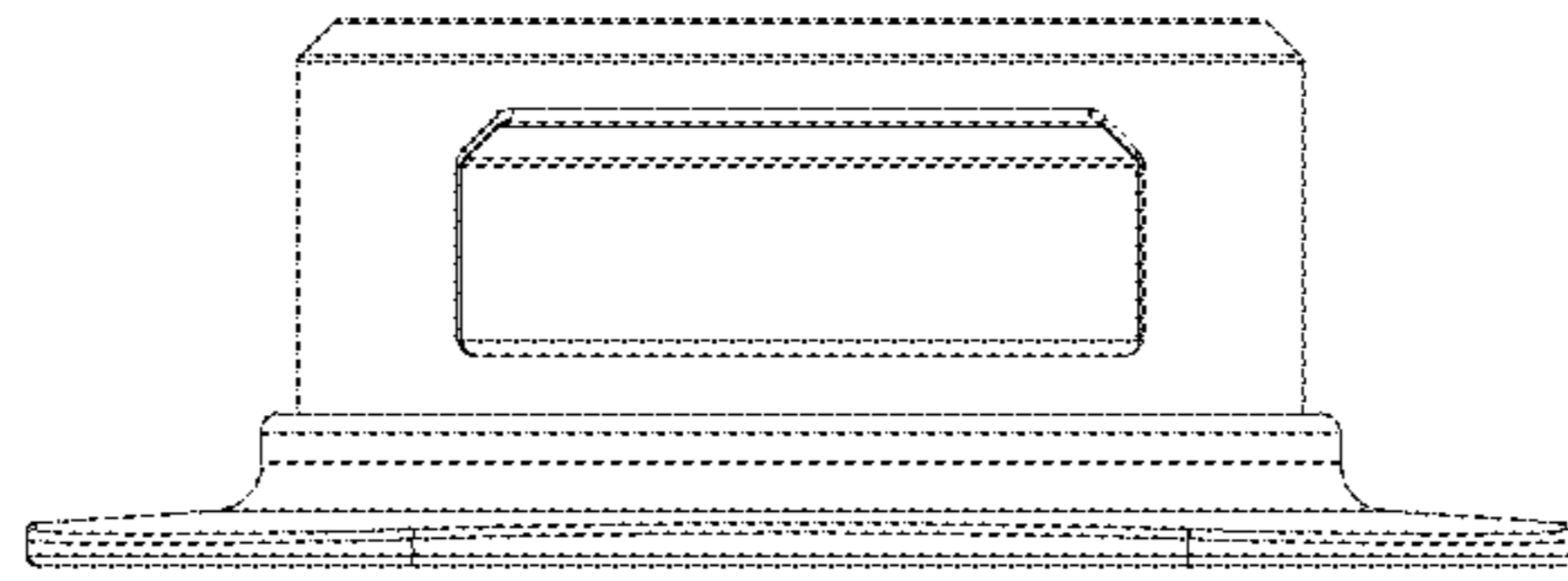


FIG.5

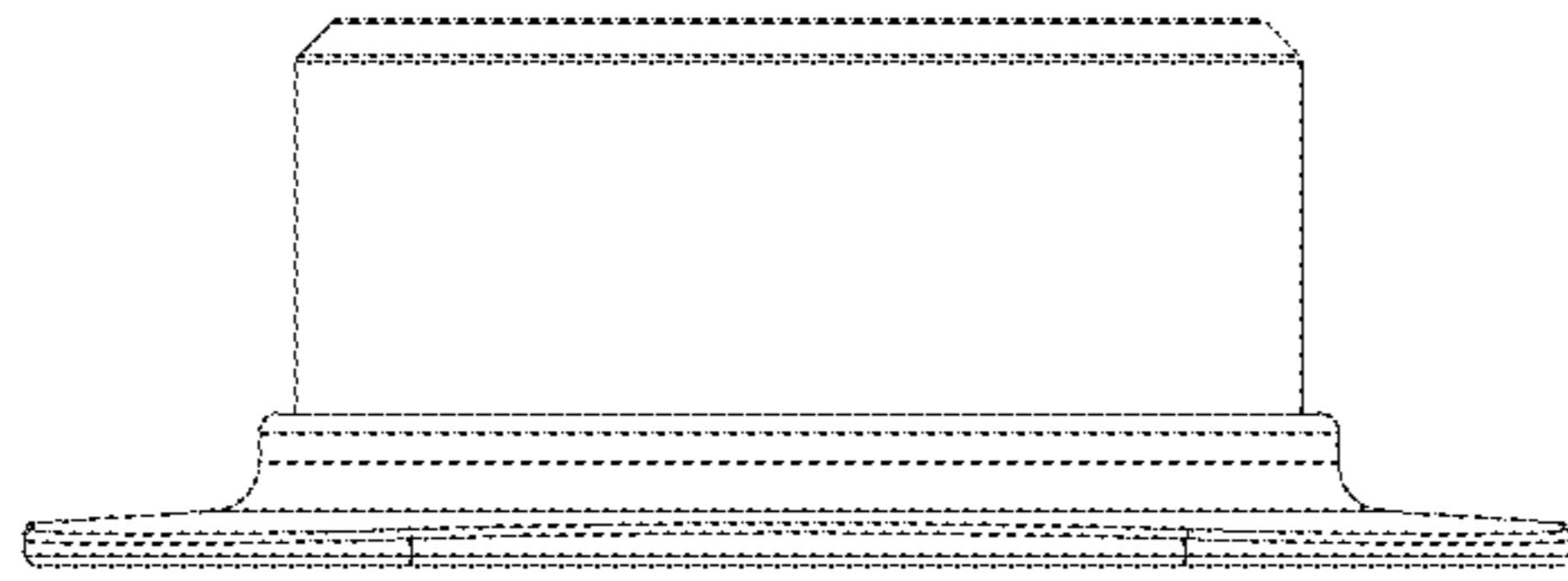


FIG.6

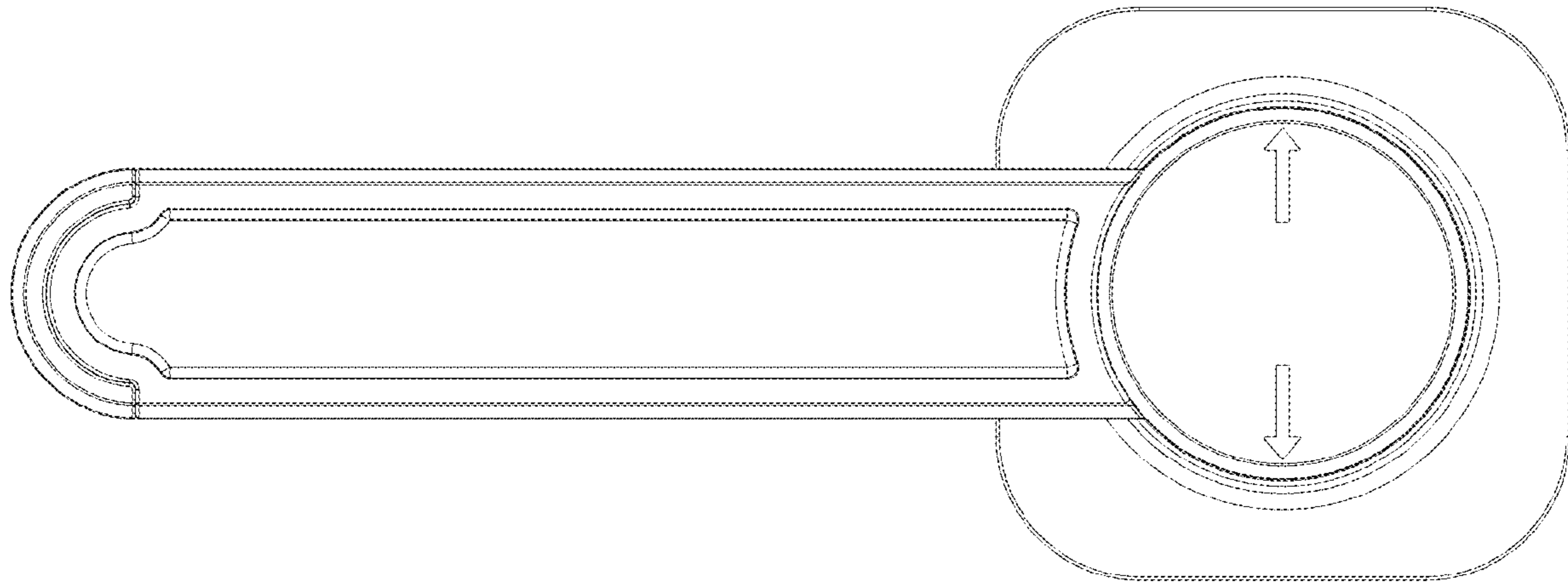


FIG.7

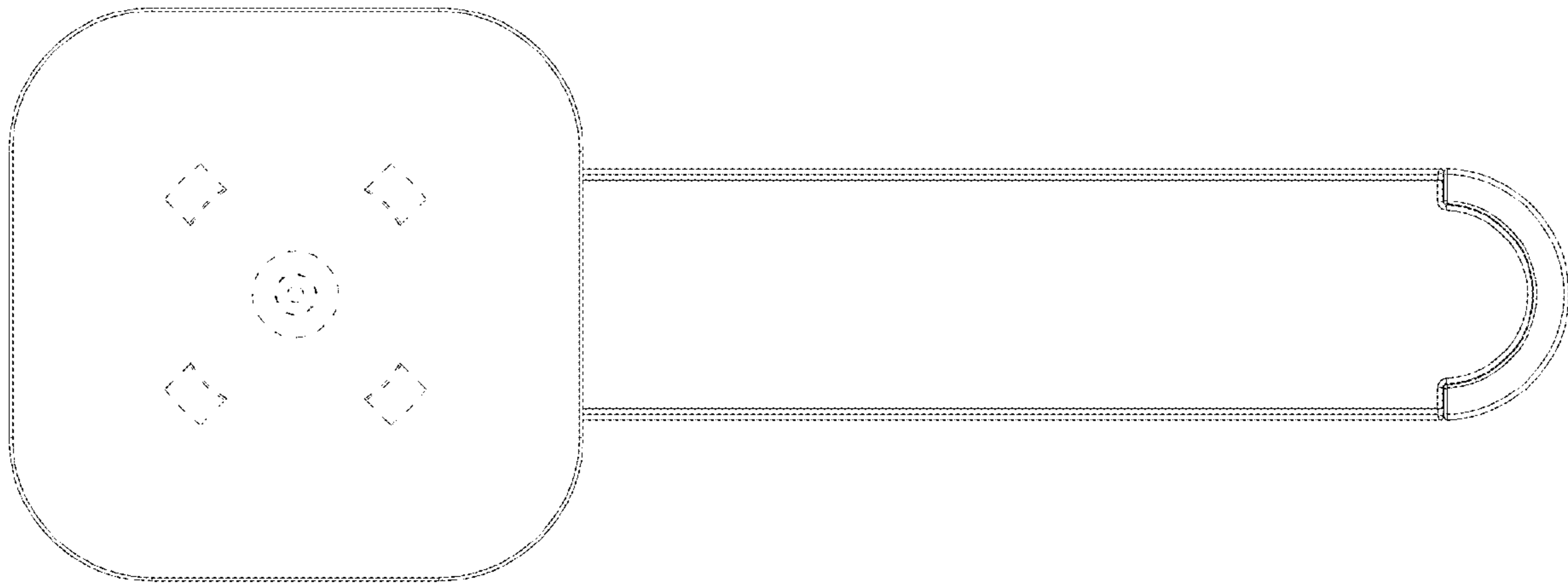


FIG.8