



US0D1020383S

(12) **United States Design Patent**
Deng et al.

(10) **Patent No.: US D1,020,383 S**

(45) **Date of Patent: ** Apr. 2, 2024**

(54) **BOWL OF A MICRO PUREE MACHINE**

(71) Applicant: **SharkNinja Operating LLC**,
Needham, MA (US)

(72) Inventors: **Da Deng**, Newton, MA (US); **Diego Jasso**, New Hope, MN (US); **Nathan Lyell**, Surrey (GB)

(73) Assignee: **SHARKNINJA OPERATING LLC**,
Needham, MA (US)

(**) Term: **15 Years**

(21) Appl. No.: **29/873,958**

(22) Filed: **Apr. 12, 2023**

Related U.S. Application Data

(63) Continuation-in-part of application No. 18/089,689,
filed on Dec. 28, 2022, and a continuation-in-part of
(Continued)

(51) **LOC (14) Cl.** **31-00**

(52) **U.S. Cl.**
USPC **D7/412; D7/376; D7/378; D7/384;**
D7/413

(58) **Field of Classification Search**

USPC D7/306, 307, 309, 311, 372, 376-386,
D7/393, 412-413, 510, 586, 602, 629,
D7/665-666, 669, 679, 693-694
CPC A21C 1/02; A21C 1/04; A23N 1/00; A23N
1/02; A47J 43/04; A47J 43/07; A47J
43/25; A47J 43/27; A47J 43/042; A47J
43/044; A47J 43/046; A47J 43/075; A47J
43/0722; A47J 43/0727; A47J 42/46;
B01F 3/00; B01F 3/0807; B01F 3/0853;
B01F 13/0059; B01F 13/0064; B01F
35/453; B02C 1/08; B02C 2/04; B02C
4/42; B02C 4/142; B02C

(Continued)

(56) **References Cited**

U.S. PATENT DOCUMENTS

2,815,194 A 12/1957 Seyfried
2,829,872 A 4/1958 MacDougall

(Continued)

FOREIGN PATENT DOCUMENTS

CN 201345883 11/2009
CN 102805194 2/2012

(Continued)

OTHER PUBLICATIONS

International Search Report and Written Opinion in Application No.
PCT/CN2022/123017 dated Mar. 23, 2023, 12 pages.

(Continued)

Primary Examiner — Ricky Pham

(74) *Attorney, Agent, or Firm* — Burns & Levinson, LLP;
Joseph M. Maraia; Marlo Schepper Grolnic

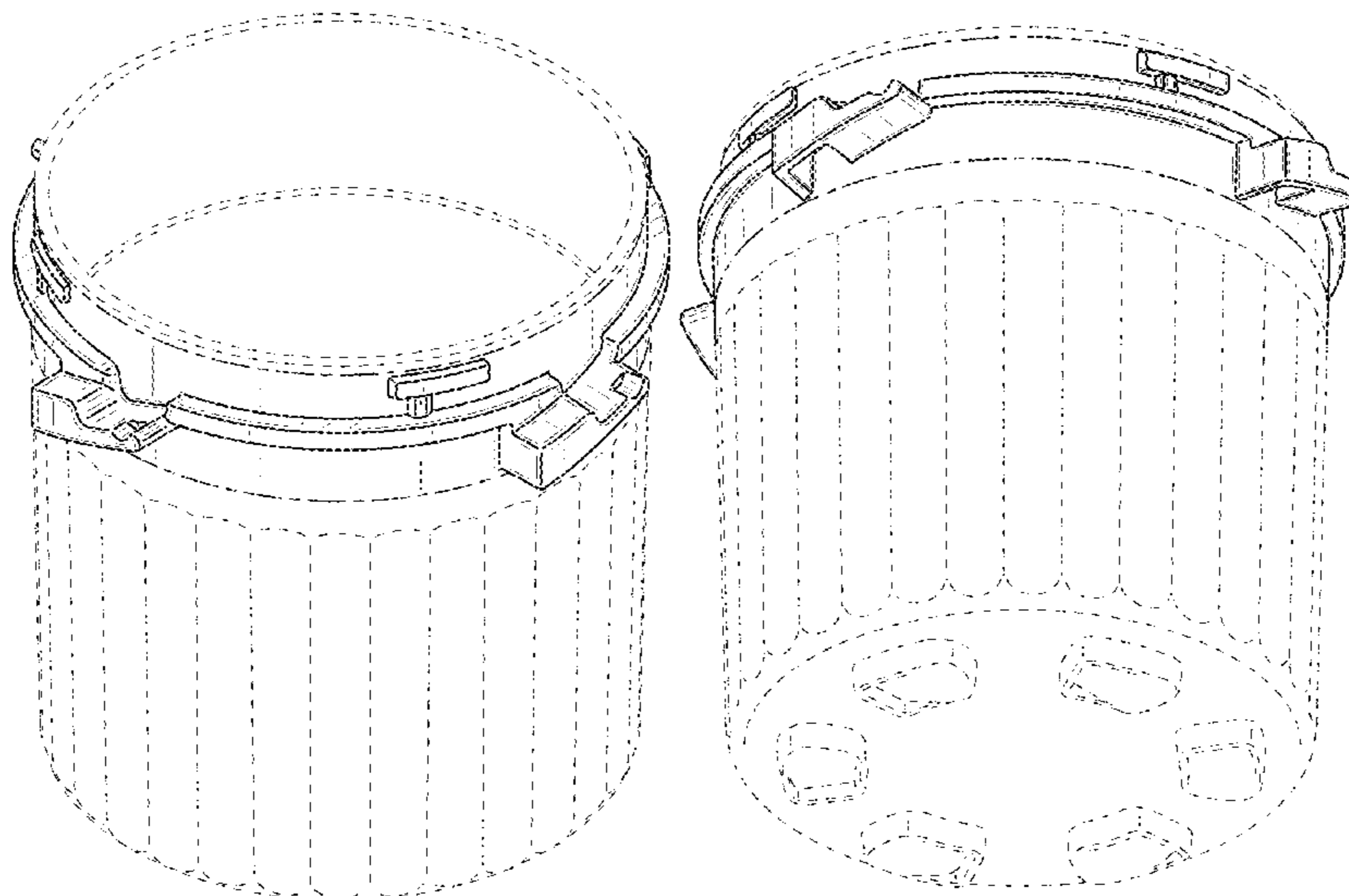
(57) **CLAIM**

The ornamental design for a bowl of a micro puree machine,
as shown and described.

DESCRIPTION

FIG. 1 is a top, front and right side perspective view of the
bowl of a micro puree machine of our new design;
FIG. 2 is a bottom, rear and left side perspective view
thereof;
FIG. 3 is a right side elevation view thereof;
FIG. 4 is a left side elevation view thereof;
FIG. 5 is a front elevation view thereof;
FIG. 6 is a rear elevation view thereof;
FIG. 7 is a top plan view thereof; and,
FIG. 8 is a bottom plan view thereof.
In the drawings, the broken lines depict portions of the bowl
of the micro puree machine and form no part of the claimed
design.

1 Claim, 4 Drawing Sheets



Related U.S. Application Data

application No. 17/992,263, filed on Nov. 22, 2022, now Pat. No. 11,759,057, which is a continuation of application No. PCT/CN2022/123016, filed on Sep. 30, 2022.

(58) **Field of Classification Search**

CPC 4/143; B02C 4/423; B02C 13/1835; B28C 5/10; B28C 5/12; B28C 5/14; B28C 5/16; B65D 25/24; B65D 85/72; A23G 9/12; A23G 9/28; F04D 29/2288

See application file for complete search history.

(56)

References Cited

U.S. PATENT DOCUMENTS

D183,532 S 9/1958 Raymond
 3,630,493 A 12/1971 Carpigiani
 D258,340 S * 2/1981 Fuchs D7/379
 4,693,611 A 9/1987 Verkler
 4,705,055 A 11/1987 Rohm et al.
 4,828,398 A 5/1989 Verkler
 5,215,222 A 6/1993 McGill
 5,415,534 A 5/1995 Bertrand et al.
 5,803,377 A 9/1998 Farrell
 6,041,961 A 3/2000 Farrell
 6,250,794 B1 6/2001 Huang
 6,824,303 B2 11/2004 Huang
 7,028,607 B2 4/2006 Zweben
 7,264,160 B2 9/2007 Polarine et al.
 7,451,613 B2 11/2008 Barraclough et al.
 7,993,053 B2 8/2011 McGill
 8,109,714 B2 * 2/2012 Keener F04D 29/2288
 241/46.06
 D655,133 S * 3/2012 Brinckerhoff D7/378
 D681,385 S 5/2013 Ring et al.
 D704,492 S 5/2014 Broen et al.
 D732,330 S 6/2015 Cha et al.
 D751,344 S * 3/2016 Charlton D7/300.1
 D751,849 S 3/2016 Dunham et al.
 9,351,504 B2 5/2016 Ricco et al.
 9,565,868 B2 2/2017 D'Agostino
 D807,691 S 1/2018 Connell et al.
 9,968,222 B2 5/2018 Audette
 9,993,015 B2 6/2018 Geng et al.
 10,159,262 B2 12/2018 Dong et al.
 10,299,628 B2 5/2019 Gardner et al.
 10,595,544 B2 3/2020 Beth Halachmi
 10,660,348 B2 5/2020 Cheung
 10,786,119 B2 9/2020 Cheung et al.
 10,794,624 B2 10/2020 Rupp
 10,801,769 B2 10/2020 Rupp
 D914,453 S * 3/2021 Kettavong D7/378
 10,995,976 B2 5/2021 Rupp
 11,002,473 B2 5/2021 Rupp
 11,083,320 B2 8/2021 Zhao et al.
 11,154,075 B2 10/2021 Ricco et al.
 11,154,163 B1 10/2021 He et al.
 11,279,609 B2 3/2022 Fonte et al.
 11,291,335 B2 * 4/2022 Liu A47J 42/46
 11,324,358 B1 5/2022 O'Loughlin et al.
 11,337,439 B2 5/2022 Fonte et al.
 11,439,158 B2 9/2022 Farina
 11,470,855 B2 10/2022 Fonte et al.
 D979,321 S * 2/2023 Coakley D7/378
 11,583,144 B1 2/2023 Williams et al.
 D985,334 S * 5/2023 Proulx D7/378
 11,759,057 B1 9/2023 Chu et al.
 2003/0000240 A1 1/2003 Pahl
 2003/0066916 A1 4/2003 Pavlovic et al.
 2004/0081733 A1 4/2004 Buter et al.
 2004/0161503 A1 8/2004 Malone et al.
 2005/0047272 A1 3/2005 Sands
 2005/0170054 A1 8/2005 Czark et al.
 2005/0172826 A1 8/2005 Kim
 2005/0173462 A1 8/2005 Stumler et al.

2006/0255066 A1 11/2006 Kannar et al.
 2007/0056447 A1 3/2007 Swartz et al.
 2007/0241140 A1 10/2007 Cocchi
 2008/0117714 A1 5/2008 Pavlovic et al.
 2011/0090756 A1 4/2011 Farrell et al.
 2011/0242931 A1 10/2011 Farrell
 2012/0027902 A1 2/2012 Audette et al.
 2012/0048977 A1 3/2012 Machovina et al.
 2012/0096876 A1 4/2012 Ravji et al.
 2013/0344220 A1 * 12/2013 Farrell B65D 85/72
 426/531
 2014/0130538 A1 * 5/2014 Bond A23G 9/12
 62/448
 2014/0203127 A1 7/2014 Merl
 2014/0312152 A1 * 10/2014 Pai A47J 42/46
 241/169.1
 2015/0201808 A1 7/2015 Katsuki et al.
 2015/0216360 A1 8/2015 Hosner
 2015/0265102 A1 9/2015 Kidd
 2015/0272394 A1 * 10/2015 Lin B01F 35/453
 366/314
 2017/0112326 A1 4/2017 Ochoa et al.
 2020/0245639 A1 8/2020 Crema et al.
 2020/0260755 A1 8/2020 Harrison et al.
 2021/0055027 A1 2/2021 Rupp
 2021/0068419 A1 3/2021 Spirk et al.
 2021/0106508 A1 4/2021 Akridge et al.
 2021/0120841 A1 4/2021 Kiser et al.
 2021/0204564 A1 7/2021 Bellomare et al.
 2021/0227848 A1 7/2021 Yang et al.
 2021/0274974 A1 9/2021 Abraham et al.
 2021/0371265 A1 12/2021 Fonte et al.
 2022/0202247 A1 6/2022 He et al.
 2022/0202248 A1 6/2022 O'Loughlin et al.
 2022/0202249 A1 6/2022 He et al.
 2022/0202254 A1 6/2022 O'Loughlin
 2022/0225636 A1 7/2022 Minard et al.
 2022/0225831 A1 7/2022 He et al.
 2022/0408977 A1 * 12/2022 Deng A47J 43/0727
 2023/0010316 A1 1/2023 White et al.

FOREIGN PATENT DOCUMENTS

CN 103168908 6/2013
 CN 103181715 7/2013
 CN 203088680 7/2013
 CN 203152409 8/2013
 CN 203233980 10/2013
 CN 204362865 6/2015
 CN 110168296 8/2019
 CN 210642278 6/2020
 CN 112042801 12/2020
 CN 112469283 3/2021
 CN 112512393 3/2021
 CN 105828630 5/2021
 CN 216282190 4/2022
 EP 0314209 5/1989
 EP 0891139 1/1999
 EP 0995685 4/2000
 EP 0891139 5/2002
 EP 1495682 1/2005
 EP 1586259 A1 10/2005
 EP 1689250 8/2006
 EP 2380474 A2 10/2011
 EP 3060069 8/2016
 EP 3535532 9/2019
 EP 3616528 3/2020
 EP 3692873 A1 8/2020
 EP 3755160 12/2020
 EP 3801042 4/2021
 EP 3944796 A1 2/2022
 ES 1071424 2/2010
 FR 2585588 A1 2/1987
 IT 20200005641 A2 9/2021
 JP H01-11029 3/1989
 WO 2005048745 6/2005
 WO 2005070271 8/2005
 WO 2015061364 4/2015

(56)

References Cited

FOREIGN PATENT DOCUMENTS

WO	2018085442	5/2018
WO	2018085443 A1	5/2018
WO	2019117804	6/2019
WO	2019146834	8/2019
WO	2019200491	10/2019
WO	2019224859	11/2019
WO	2020227235 A1	11/2020
WO	2021186353 A1	9/2021
WO	2022020653	1/2022

OTHER PUBLICATIONS

International Search Report and Written Opinion in Application No. PCT/US2022/054361 dated Aug. 9, 2023, 14 pages.

International Search Report and Written Opinion in Application No. PCT/US2022/054363 dated Aug. 9, 2023, 15 pages.

International Search Report and Written Opinion in Application No. PCT/US2022/053650 dated Jul. 3, 2023, 13 pages.

International Search Report and Written Opinion in Application No. PCT/CN2022/123016 dated Mar. 31, 2023, 11 pages.

KIDISLE 3 in 1 Single Serve Coffee Maker. Date earliest reviewed on Amazon.com Apr. 19, 2023. https://www.amazon.com/KIDISLE-Removable-Reservoir-Self-cleaning-Function/dp/B0CB5PM_PQX/ref (Year: 2023), 1 page.

* cited by examiner

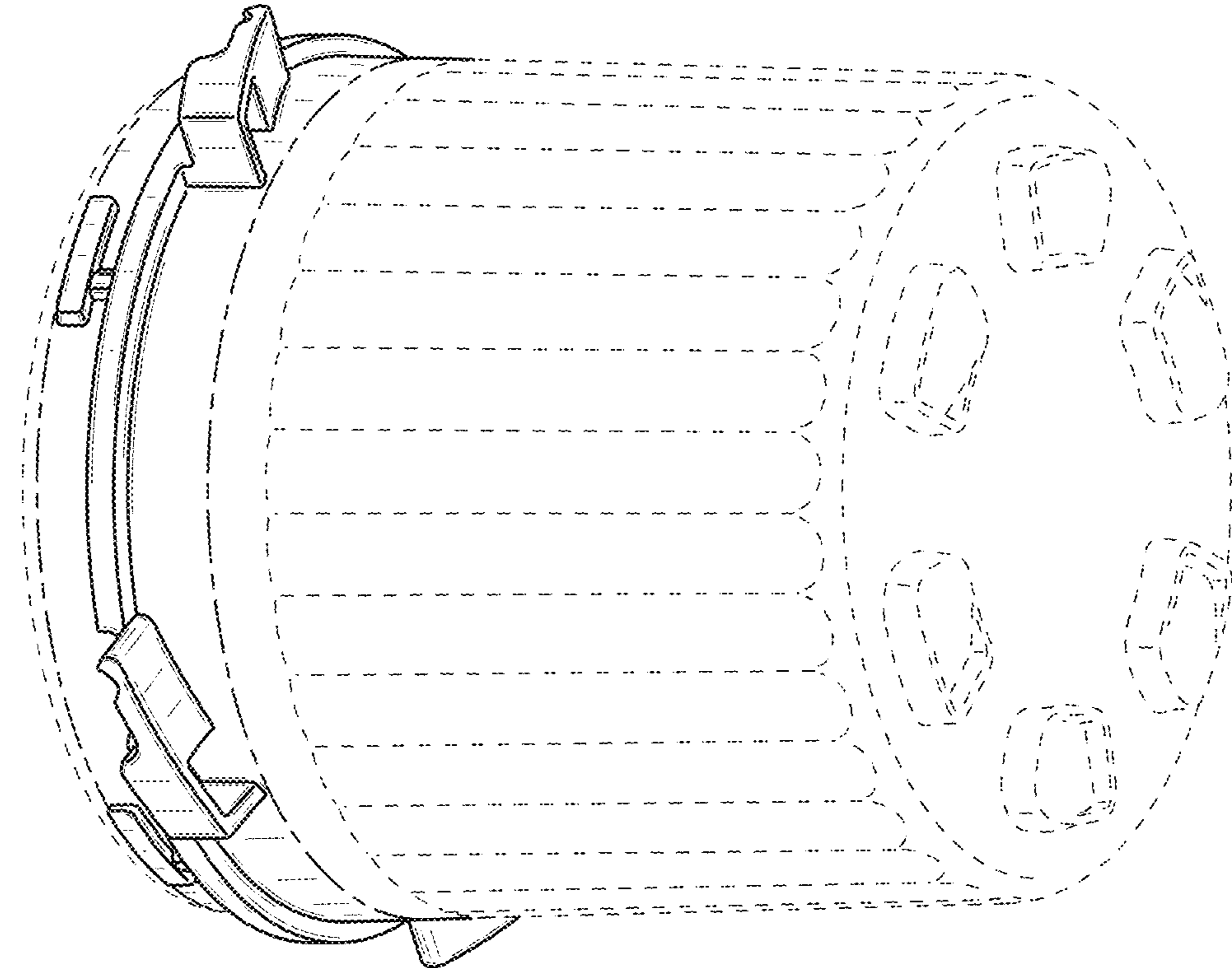


FIG. 1

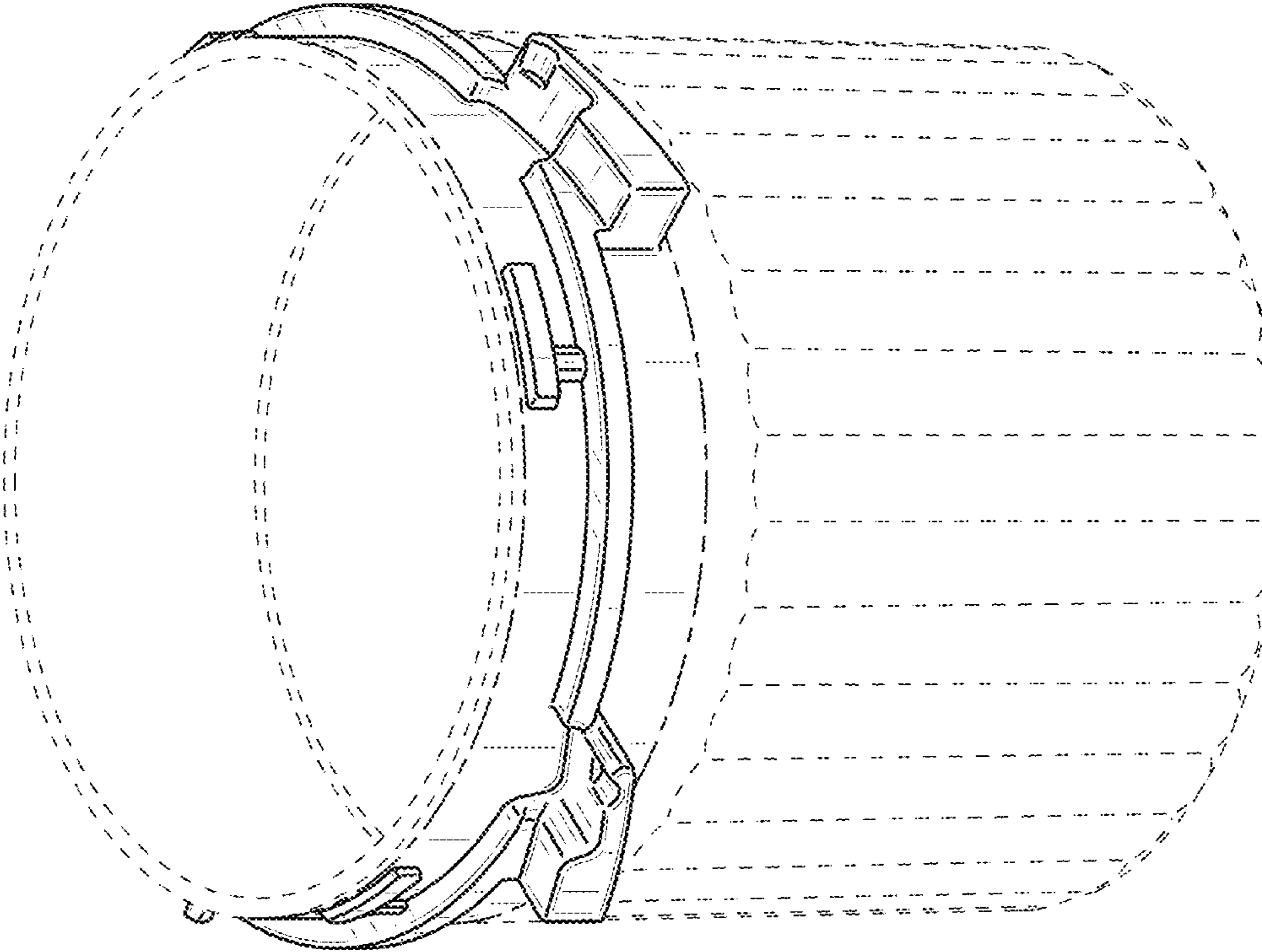


FIG. 2

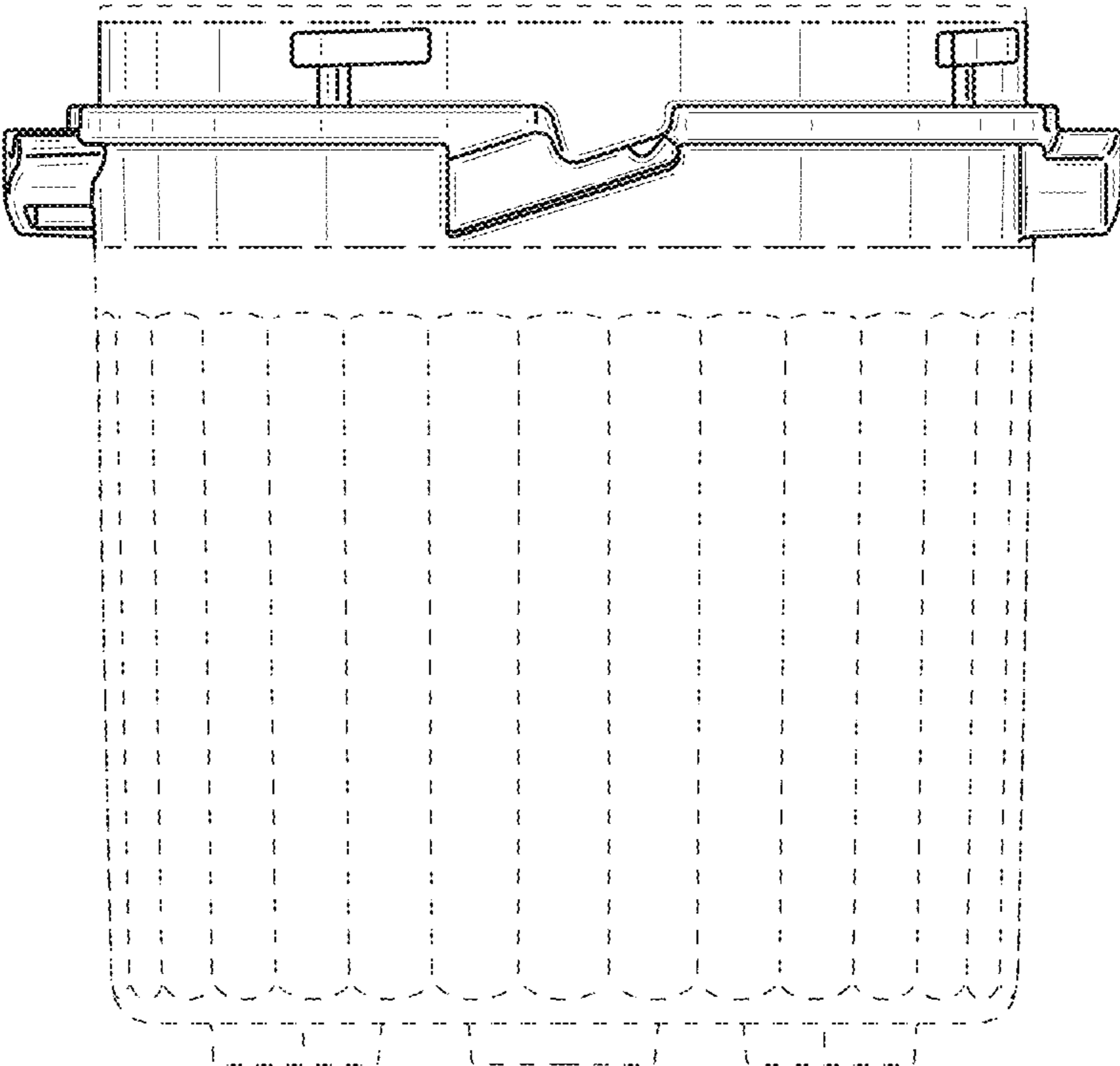


FIG. 3

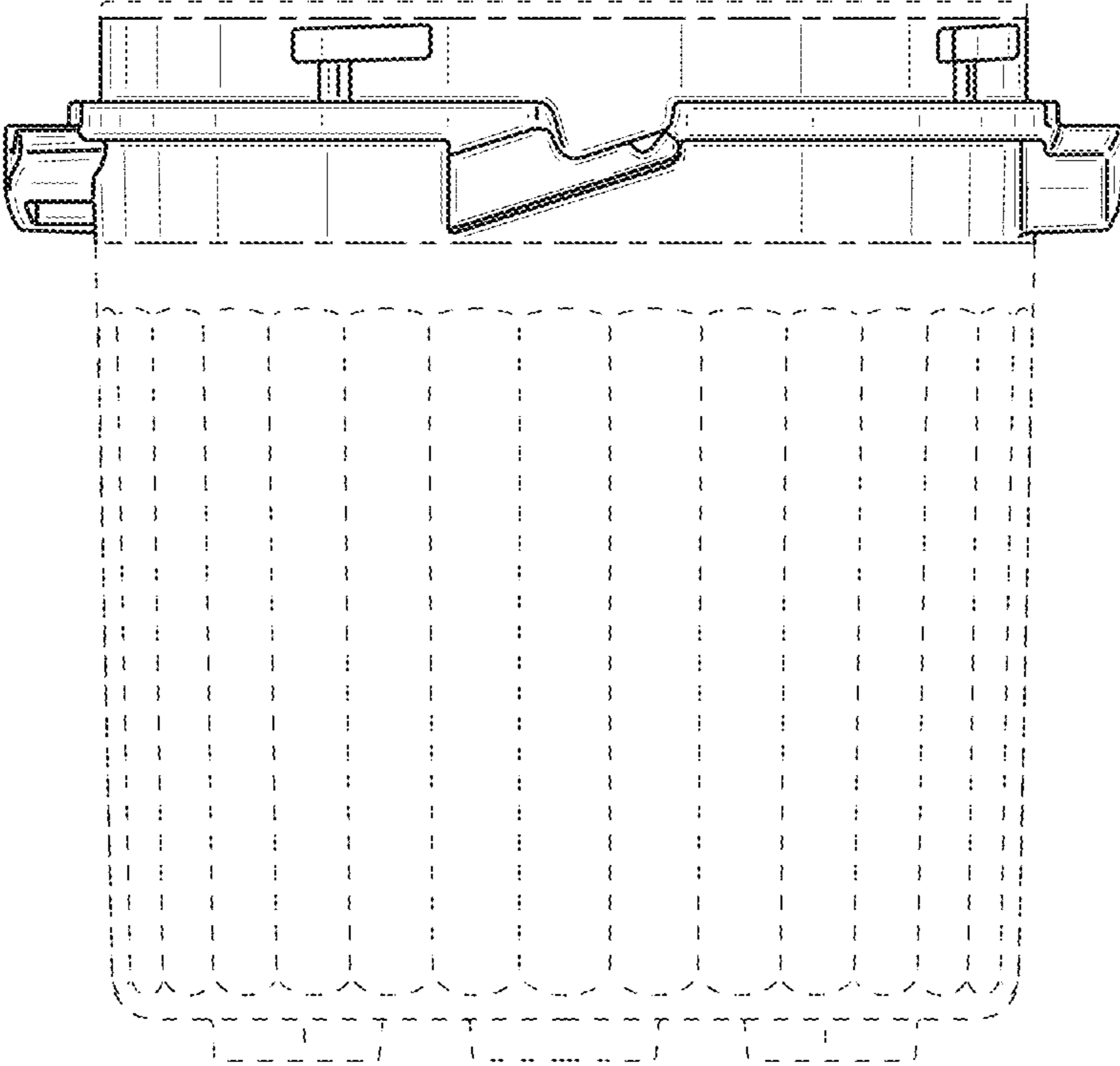


FIG. 4

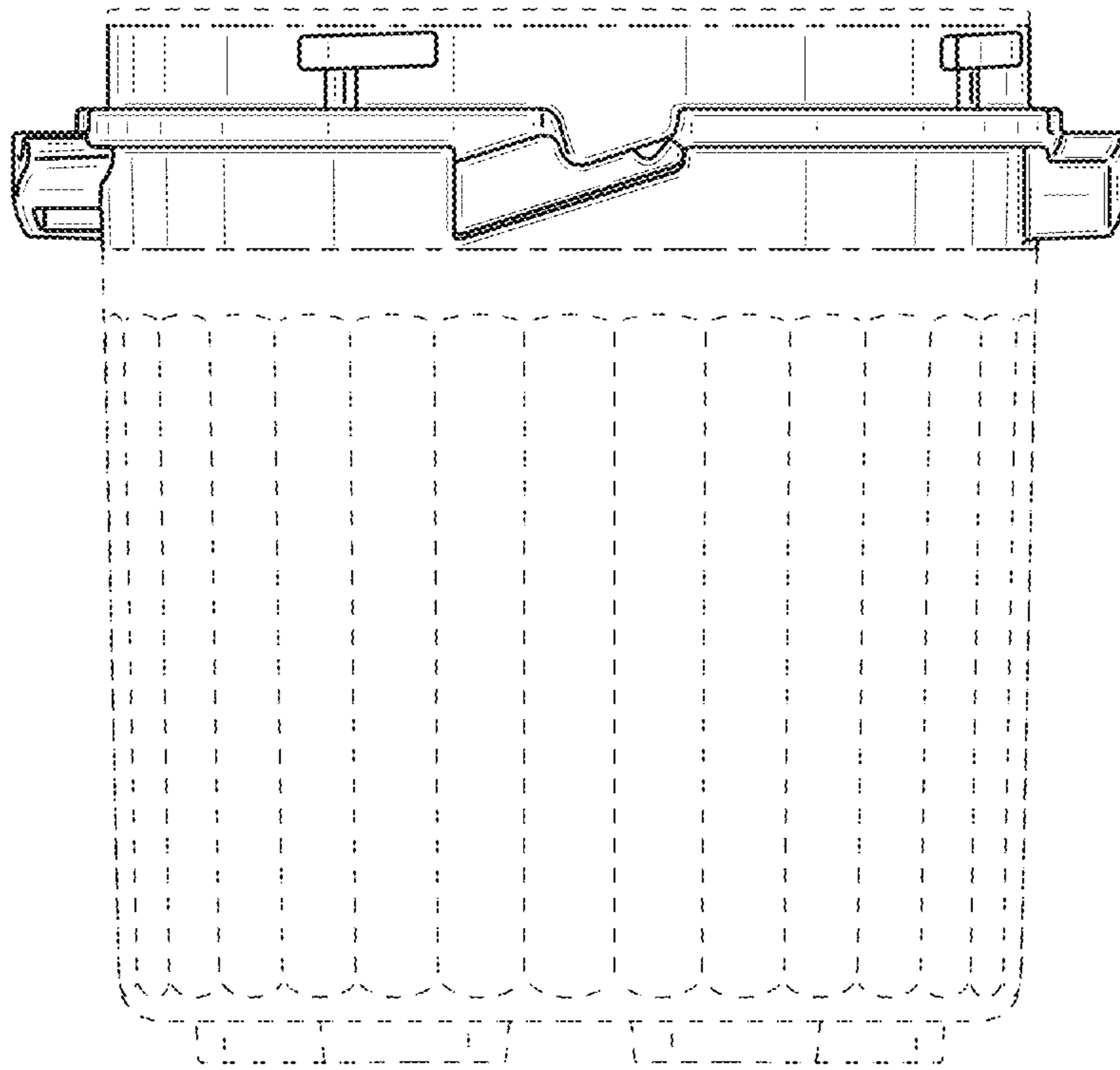


FIG. 5

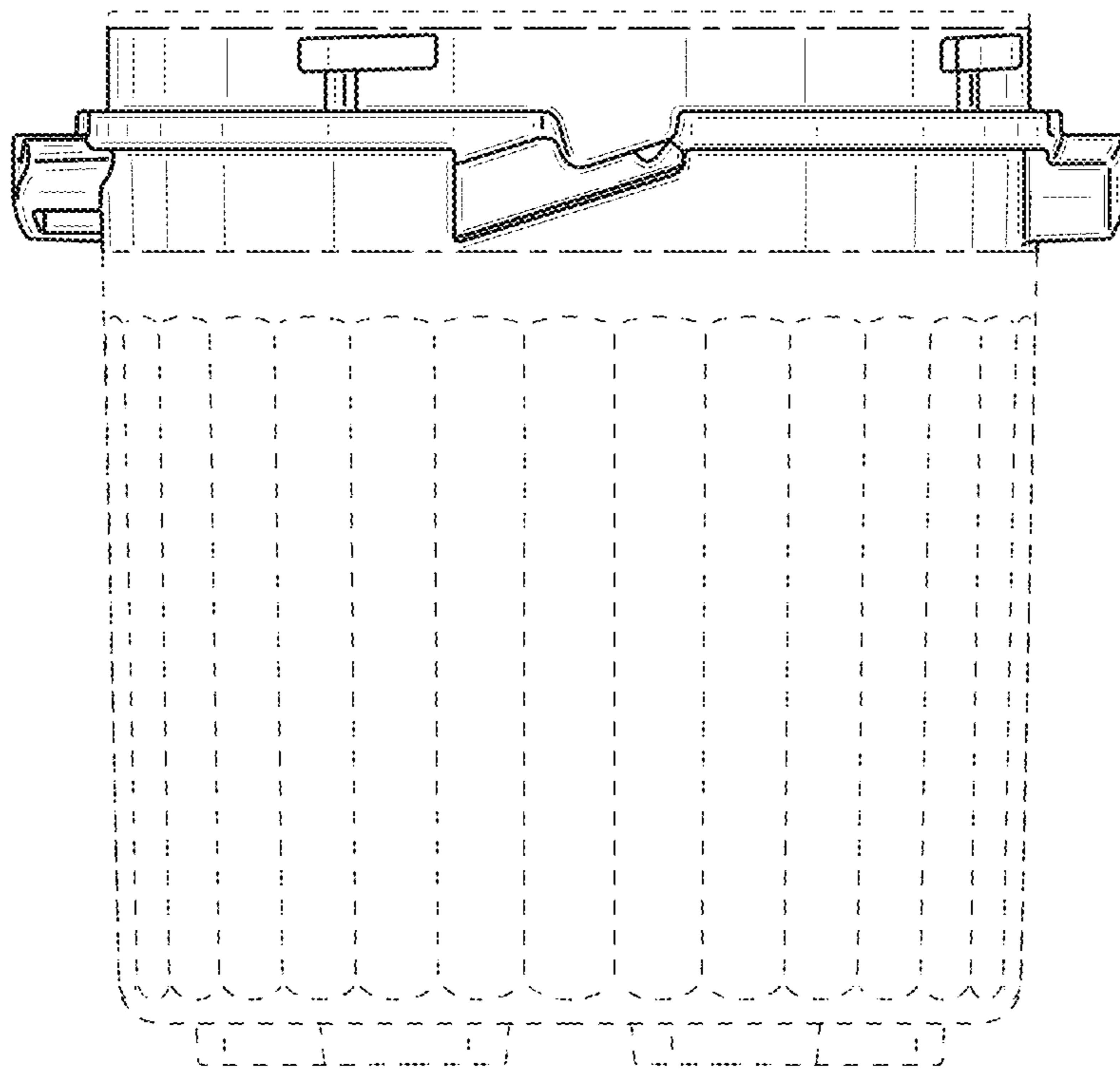


FIG. 6

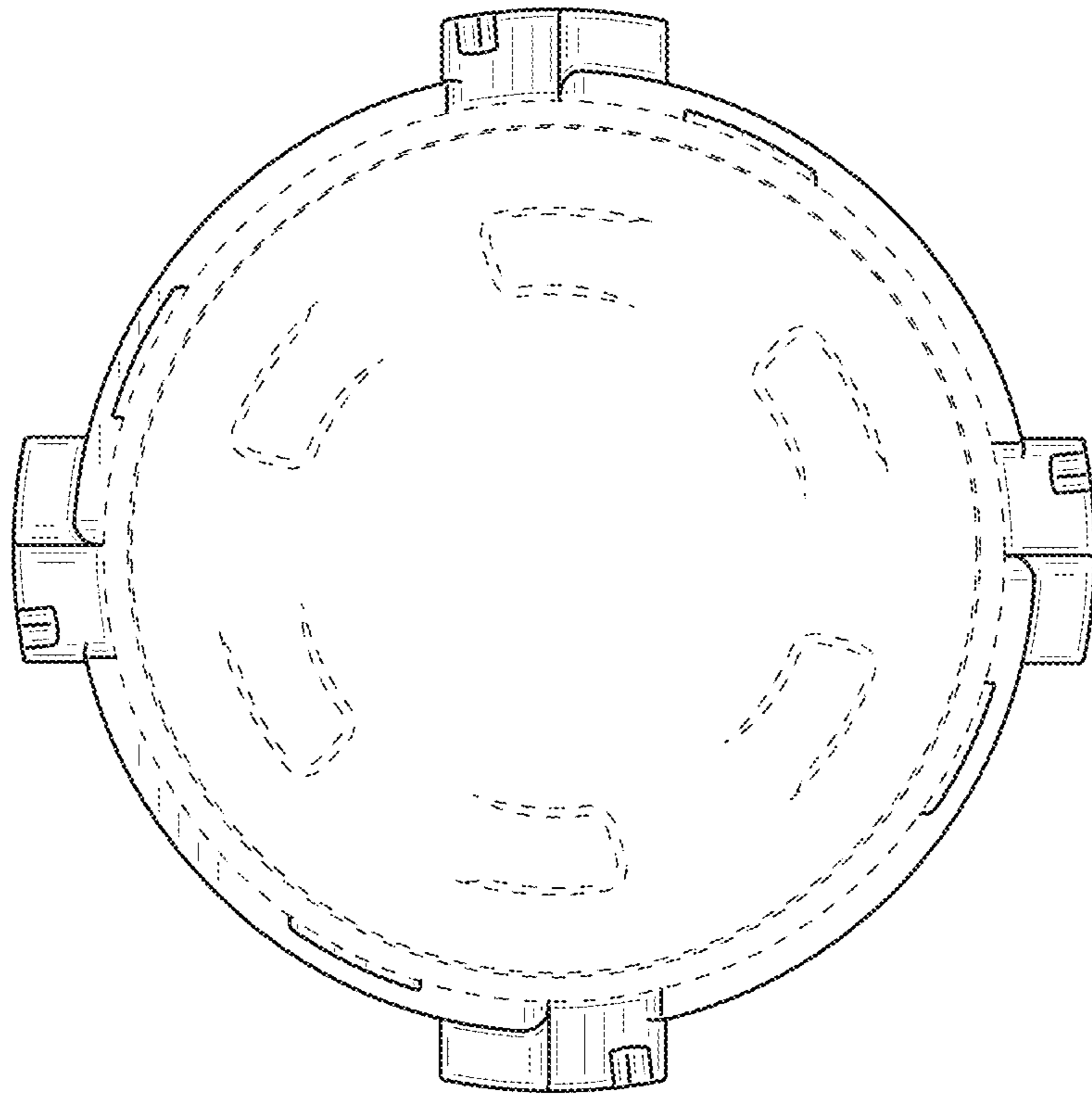


FIG. 7

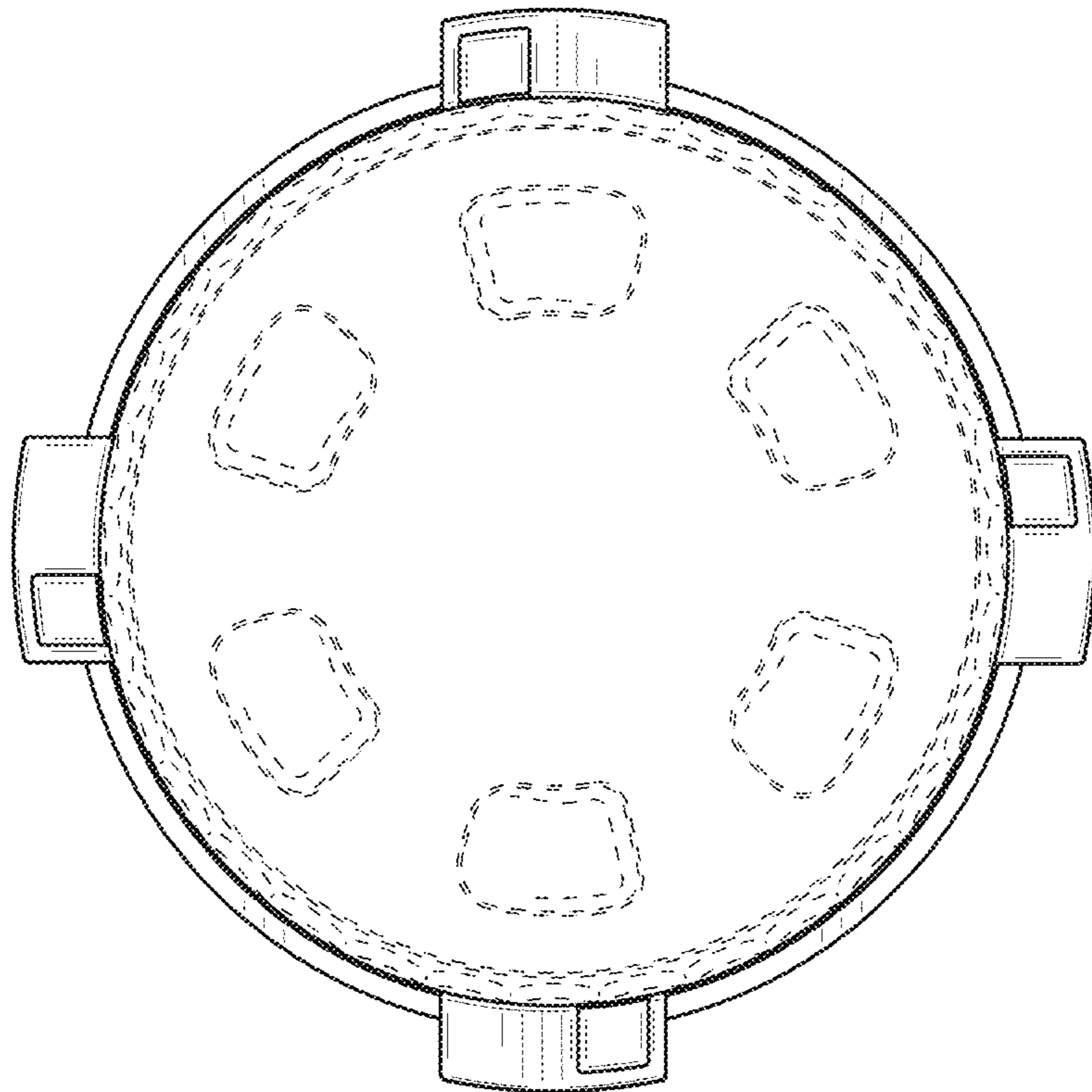


FIG. 8