



US0D1020314S

(12) **United States Design Patent** (10) **Patent No.:** **US D1,020,314 S**
Zhou (45) **Date of Patent:** **** Apr. 2, 2024**

(54) **PET MAT FOR CAR**

FOREIGN PATENT DOCUMENTS

(71) Applicant: **SHENZHEN TONGHUA WEIYE TECHNOLOGY CO., LTD.**, Shenzhen (CN)

CN 304360813 * 11/2017

(72) Inventor: **Wei Zhou**, Shenzhen (CN)

OTHER PUBLICATIONS

(73) Assignee: **SHENZHEN TONGHUA WEIYE TECHNOLOGY CO., LTD.**, Shenzhen (CN)

Vailge Bench Dog Seat Cover for Back Seat, 100% Waterproof Heavy-Duty & Nonslip Back Seat Cover for Dogs, Washable & Compatible Pet Car Seat Cover for Cars, Trucks & SUVs <https://a.co/d/cjP1dhA>, Apr. 20, 2019 (Year: 2019).*

(Continued)

(**) Term: **15 Years**

Primary Examiner — Bao-Yen T Nguyen

Assistant Examiner — Bethany Louise Mallino

(21) Appl. No.: **29/796,597**

(22) Filed: **Jun. 25, 2021**

(51) **LOC (14) Cl.** **06-13**

(52) **U.S. Cl.**
USPC **D6/611**

(57) **CLAIM**

The ornamental design for a pet mat for car, as shown and described.

(58) **Field of Classification Search**
USPC D6/596, 608, 610, 611, 613, 616;
D12/203, 221, 416; D30/199
CPC .. A01K 1/0272; A01K 1/0353; A45C 13/002;
B60N 2/60; B60N 2/867; B60N 2/6009;
B60N 2/6027; B60N 2002/905; B60N
2002/363; B60P 3/04
See application file for complete search history.

DESCRIPTION

FIG. 1 is a perspective view of a pet mat for car showing my new design;
FIG. 2 is another perspective view thereof;
FIG. 3 is a front elevational view thereof;
FIG. 4 is a rear elevational view thereof;
FIG. 5 is a left side elevational view thereof;
FIG. 6 is a right side elevational view thereof;
FIG. 7 is a top plan view thereof;
FIG. 8 is a bottom plan view thereof;
FIG. 9 is an enlarged view of portion 9 shown in FIG. 1;
FIG. 10 is an enlarged view of portion 10 shown in FIG. 2;
and,
FIG. 11 is an enlarged view of portion 11 shown in FIG. 2.
The dash-dash broken lines in the drawings depict portions of the pet mat for car that form no part of the claimed design. The long-dash-short-dash lines represent the bounds of the detail view and form no part of the claim.

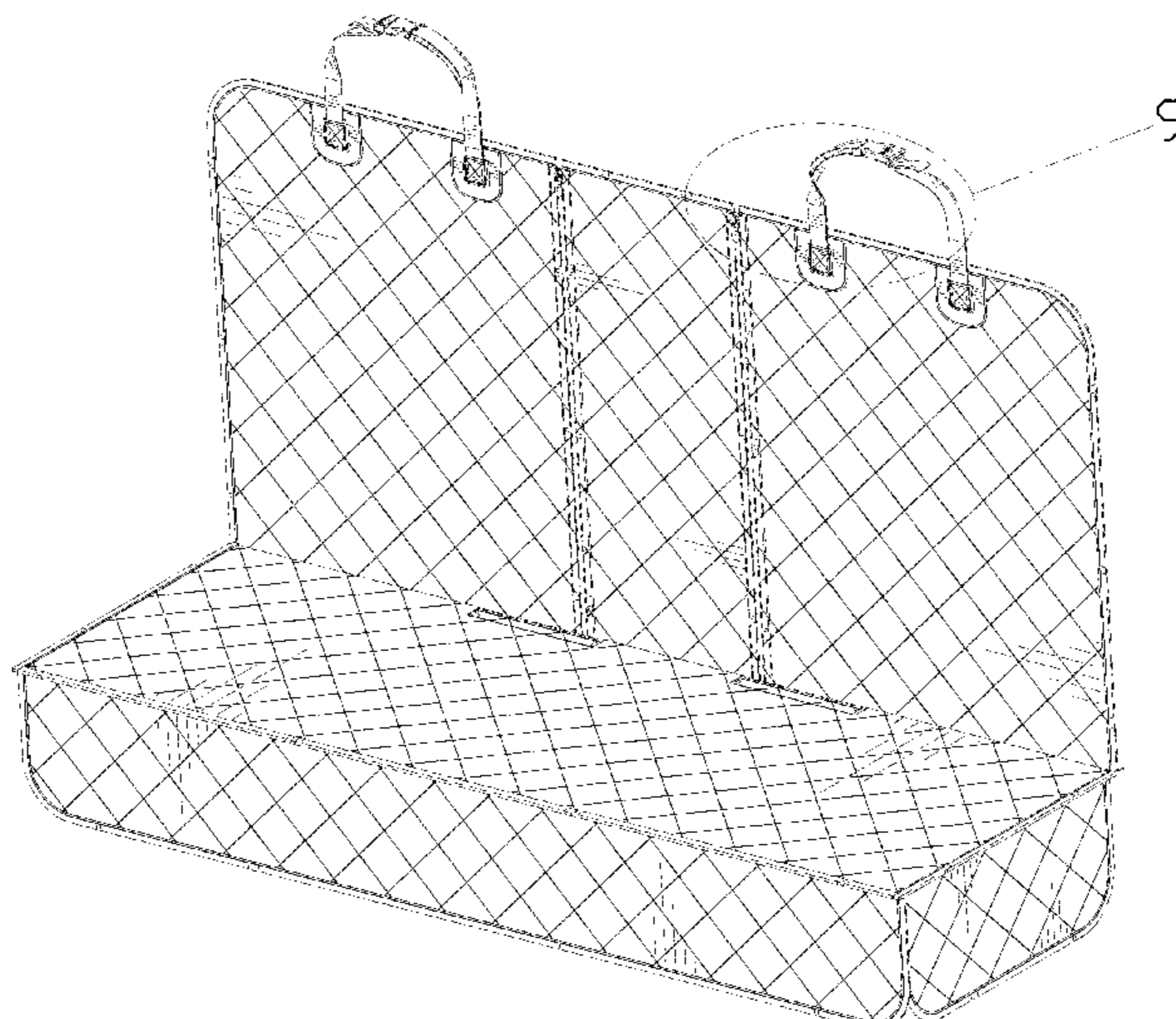
(56) **References Cited**

U.S. PATENT DOCUMENTS

D851,963 S * 6/2019 Fischer-Livneh D6/611
D868,503 S * 12/2019 Fu D6/611
D880,198 S * 4/2020 Umlauf D6/611
D883,716 S * 5/2020 Hu D6/611
D902,629 S * 11/2020 Umlauf D6/611
D904,798 S * 12/2020 Cameron D6/611
D923,974 S * 7/2021 Xu D6/611
D932,215 S * 10/2021 Zheng D6/611
D946,313 S * 3/2022 Xiao D6/611
D946,314 S * 3/2022 Xiao D6/611
D966,749 S * 10/2022 Xu D6/611

(Continued)

1 Claim, 11 Drawing Sheets



(56)

References Cited

U.S. PATENT DOCUMENTS

D972,338 S * 12/2022 Chen D6/611
D972,339 S * 12/2022 Chen D6/611
D979,986 S * 3/2023 Umlauf D6/611
D987,331 S * 5/2023 Wang D6/611

OTHER PUBLICATIONS

Honest Dog Car Seat Covers with Mesh Window, Side Flap for Cars, Trucks, and Suv's—Waterproof & Nonslip Pet Seat Cover for Backseat(Gray, 57"W×47"L) <https://a.co/d/h7N63oY>, Dec. 30, 2019 (Year: 2019).*

Pecute Dog Cover for Car Back Seat, Portable Pet Bench Rear Seat Cover, Fit for Kids ISOFIX, Armrest, Waterproof, Scratchproof Nonslip, Washable, Dog Back Seat Cover Mat Protector for Car SUV Truck <https://a.co/d/jdKnyiR>, Apr. 26, 2023 (Year: 2023).*

* cited by examiner

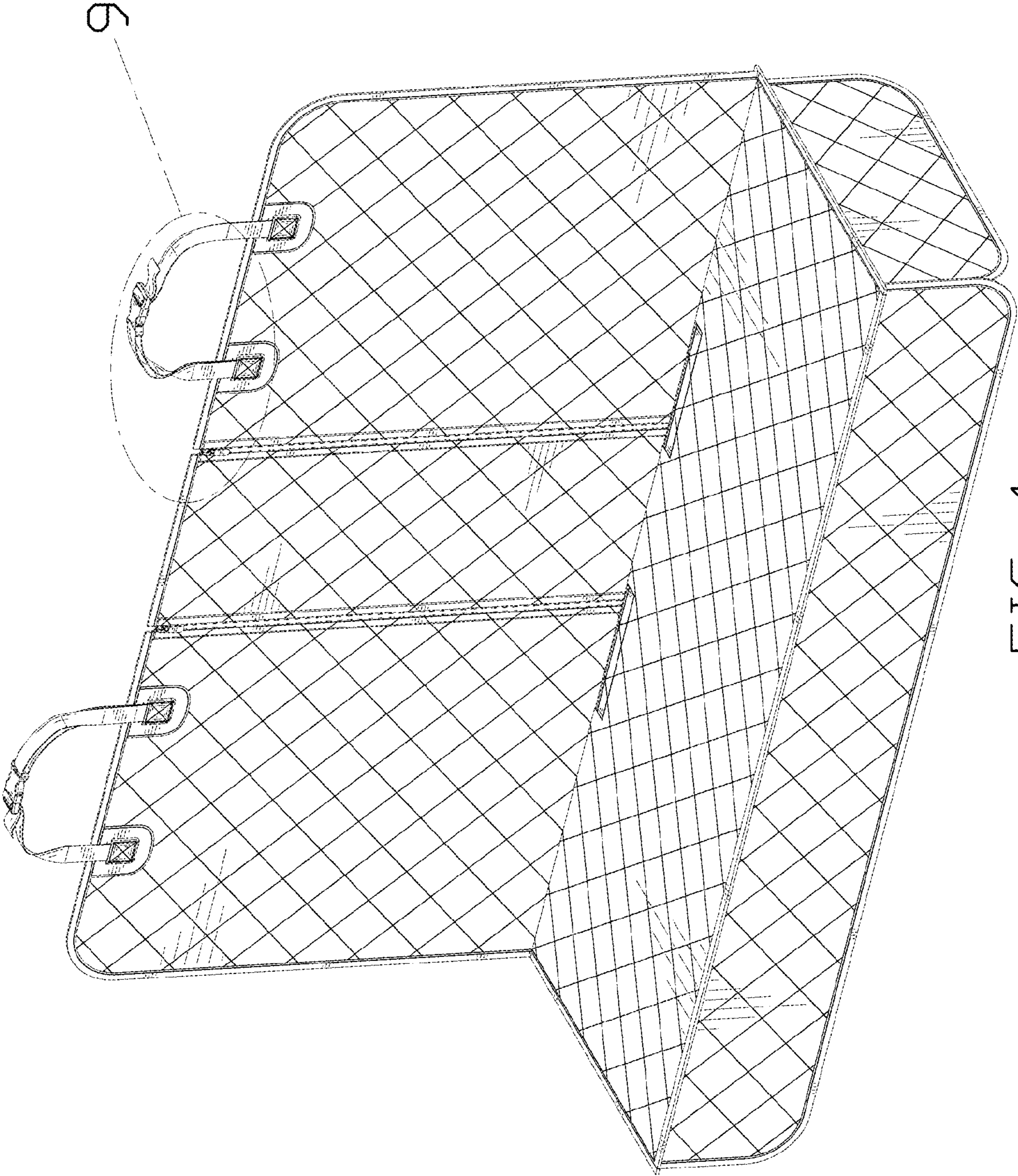


FIG. 1

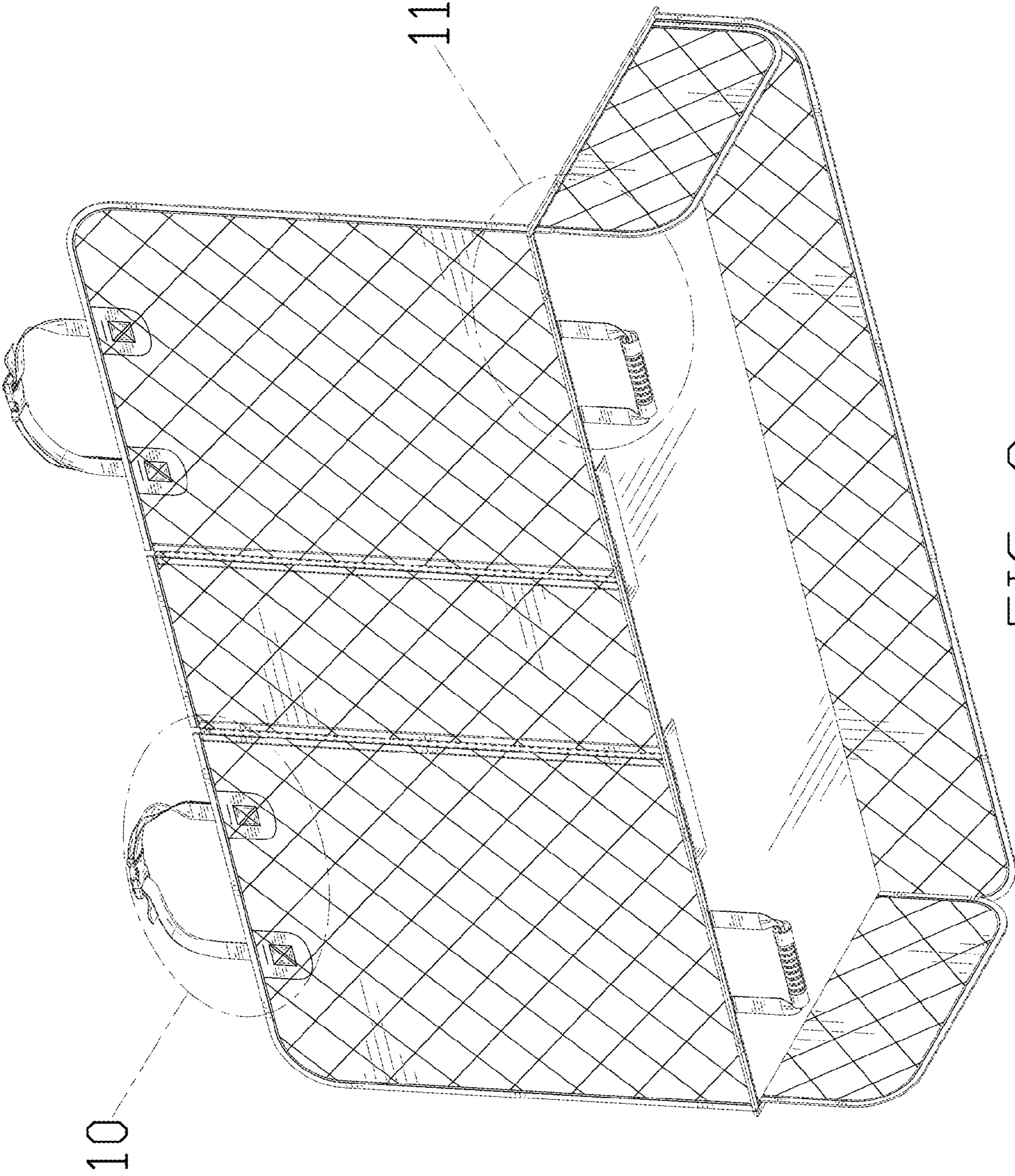


FIG. 2

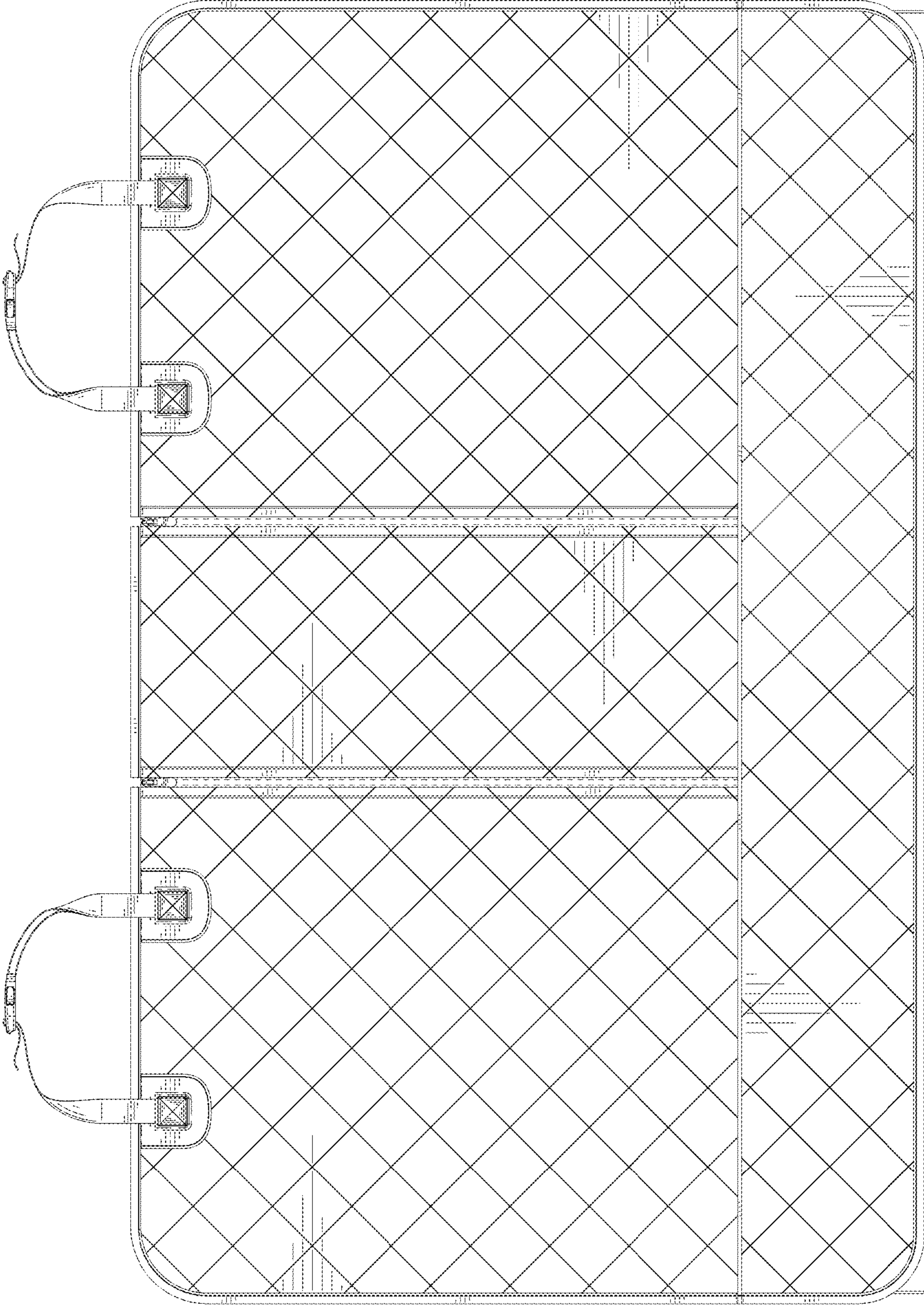


FIG. 3

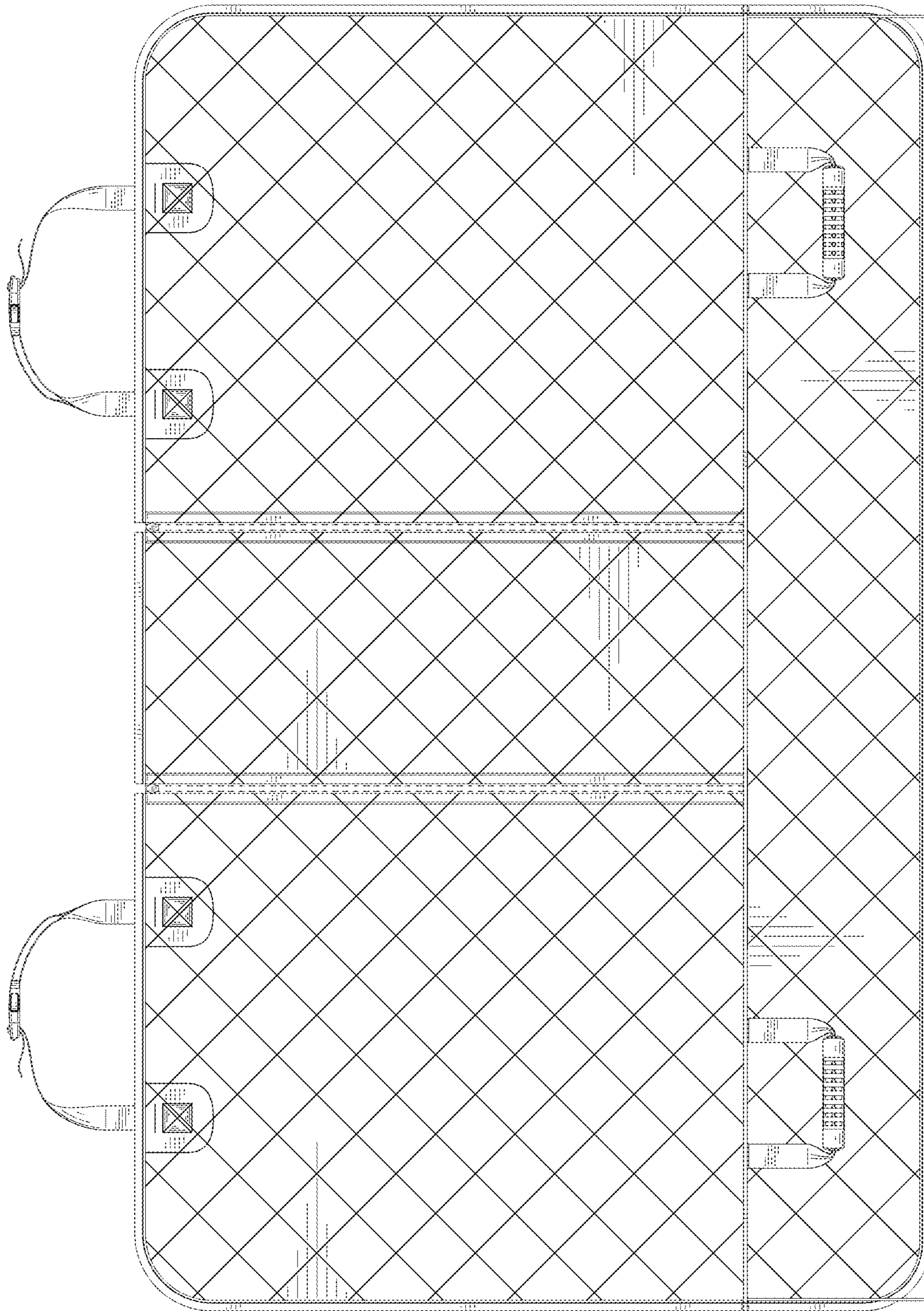


FIG. 4



FIG. 5



FIG. 6

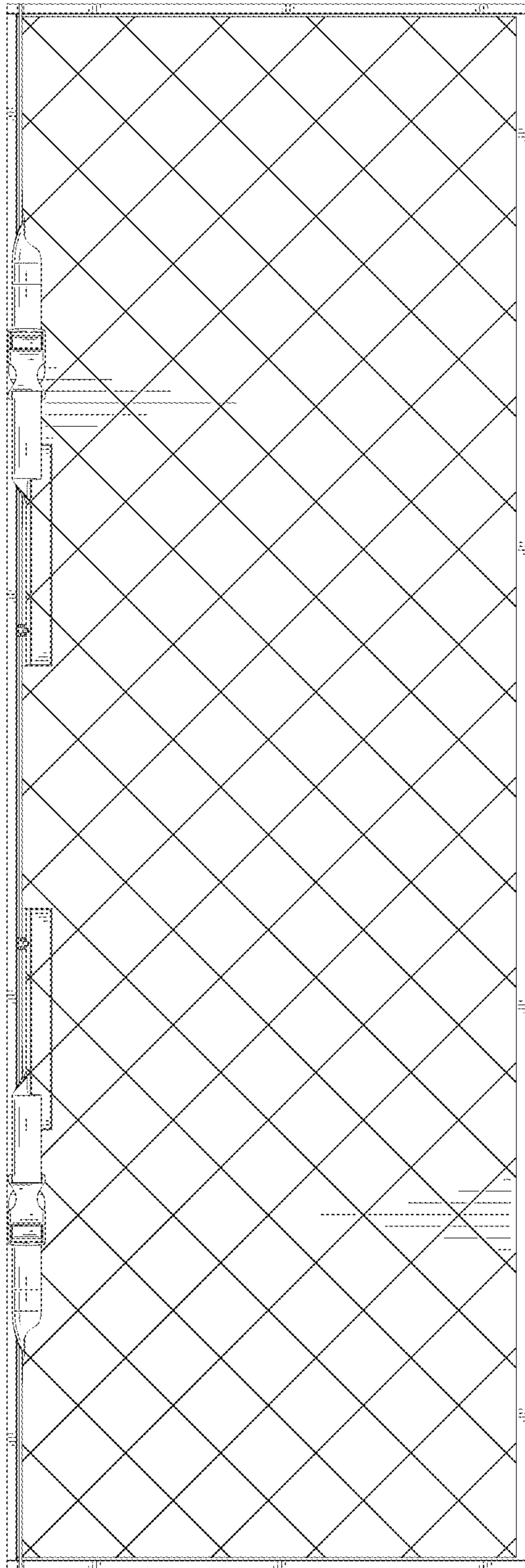


FIG. 7

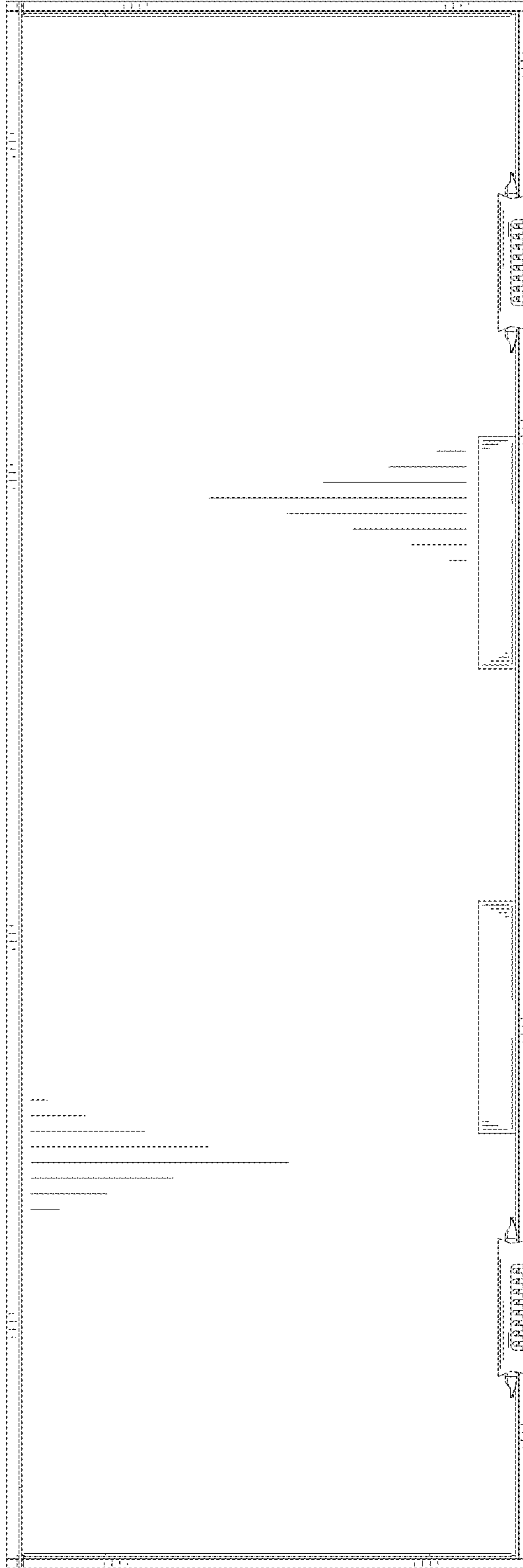


FIG. 8

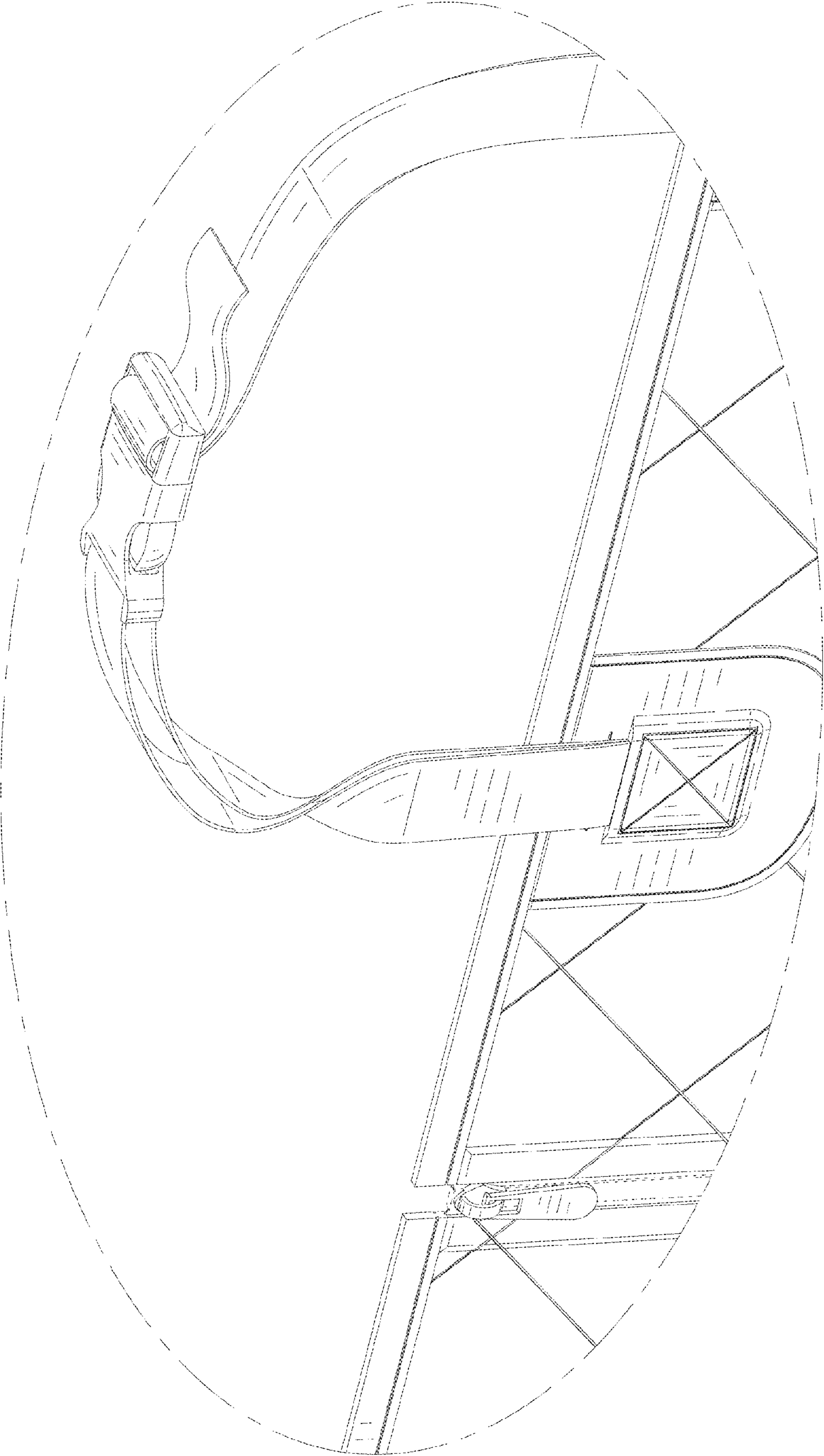


FIG. 9

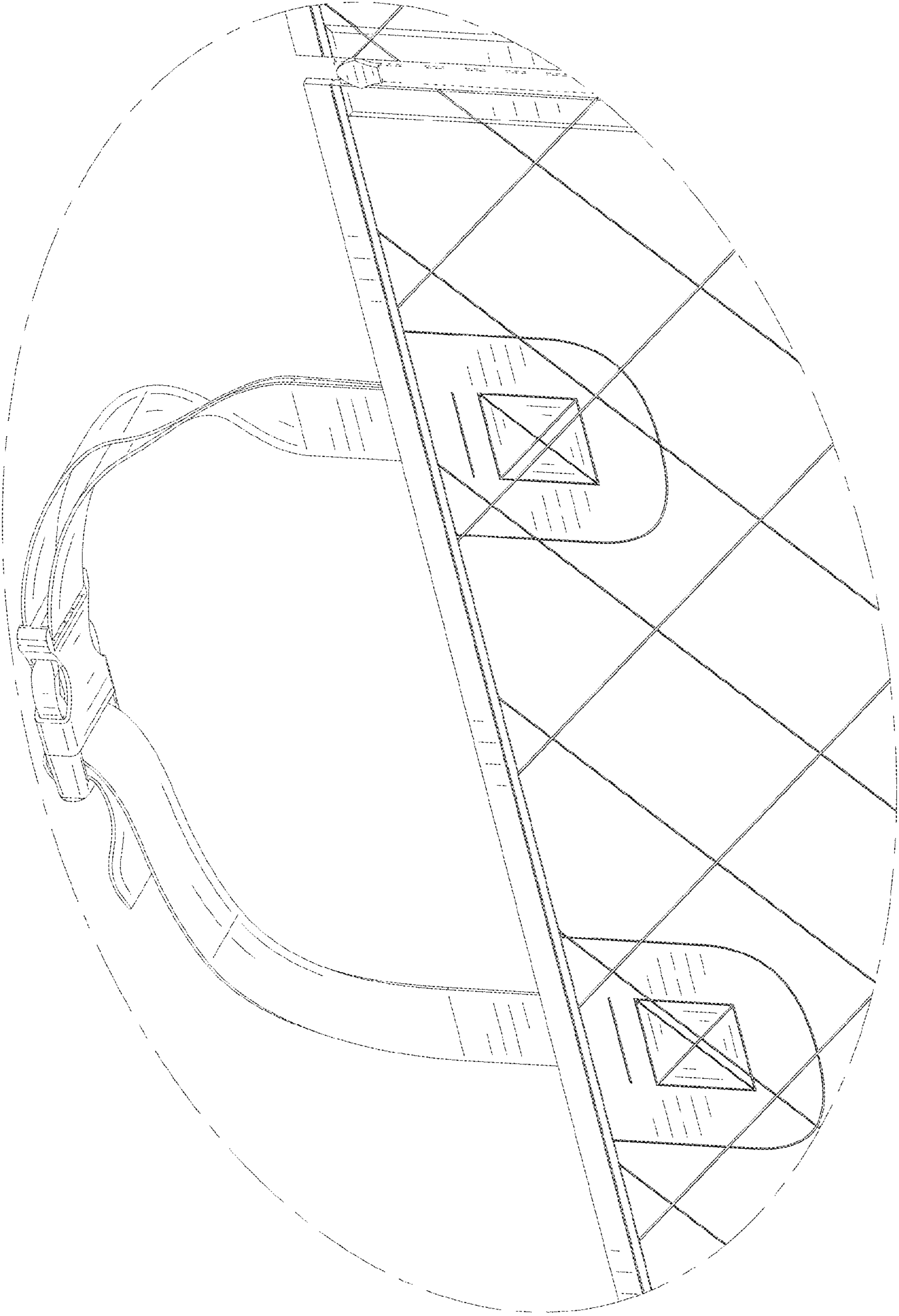


FIG. 10

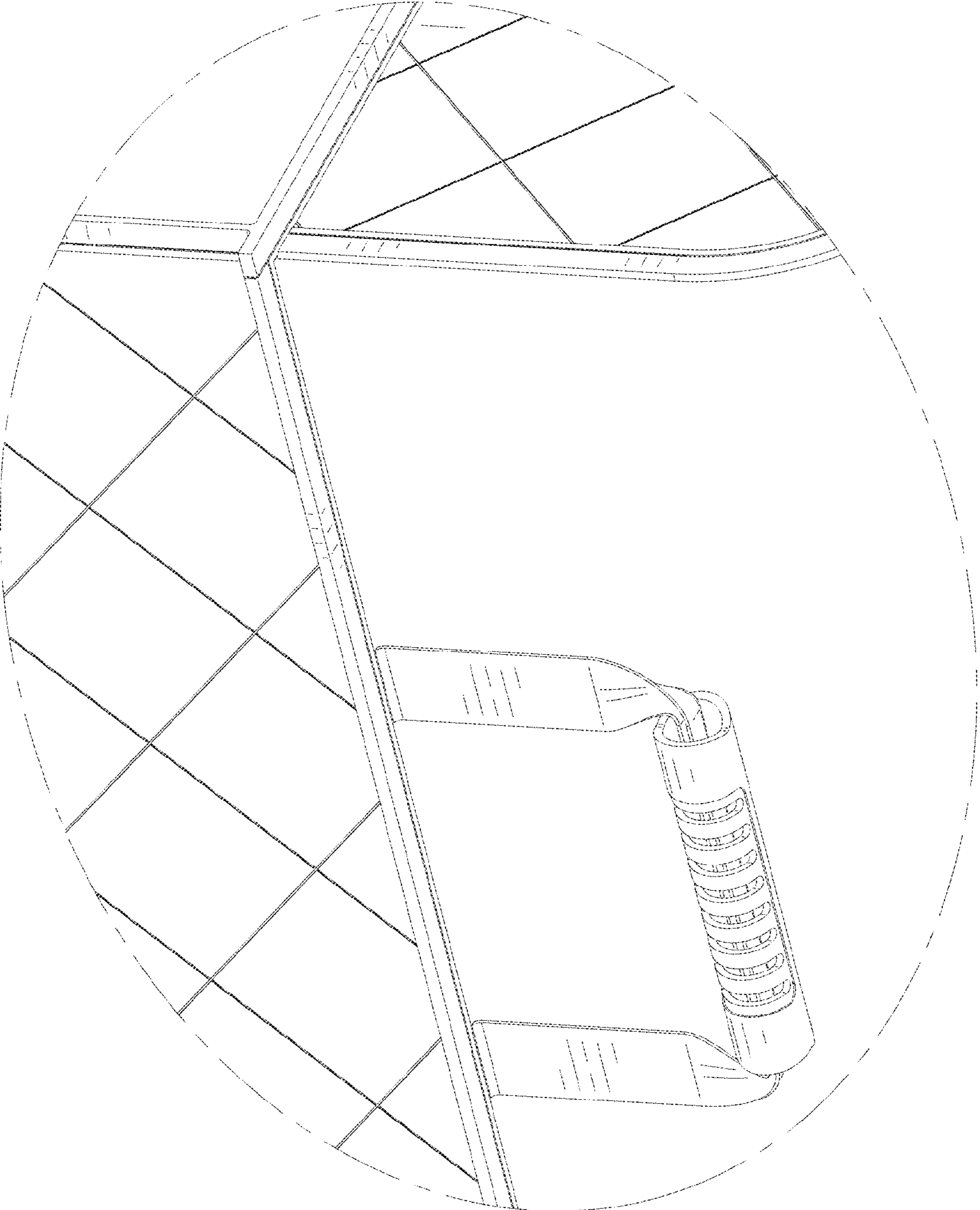


FIG. 11