



US0D1020132S

(12) **United States Design Patent** (10) **Patent No.:** **US D1,020,132 S**
Ushakov et al. (45) **Date of Patent:** **** Mar. 26, 2024**

(54) **PAW CLEANER BRUSH** D941,034 S * 1/2022 Lai D4/128
D953,043 S * 5/2022 Zech D4/137
(71) Applicants: **Anton Ushakov, Kyiv (UA); Oleksii** D1,000,012 S * 9/2023 Liu D30/158
Zabolotnyi, Kyiv (UA) 2001/0042553 A1 * 11/2001 Duqueroie A45D 24/22
132/114
(72) Inventors: **Anton Ushakov, Kyiv (UA); Oleksii** 2003/0230315 A1 * 12/2003 Kajgana A45D 24/22
Zabolotnyi, Kyiv (UA) 132/115
2005/0032019 A1 2/2005 Han et al.
2011/0197917 A1 * 8/2011 Koptis B65D 73/0071
401/270
(**) Term: **15 Years**

(Continued)

(21) Appl. No.: **29/911,276**

FOREIGN PATENT DOCUMENTS

(22) Filed: **Aug. 31, 2023**

(51) **LOC (14) Cl.** **30-99**

KR 202101398108 A 11/2021
MX 2022004949 A 5/2022

(52) **U.S. Cl.**

USPC **D30/158**

OTHER PUBLICATIONS

(58) **Field of Classification Search**

USPC D30/158, 159; D32/17; D4/114, 116,
D4/125, 128; 401/270

CPC A45D 24/22; A01K 13/00

See application file for complete search history.

“Dogscute 2 Pack Pet Paw Cleaner” available May 16, 2022,
[online], [site visited Oct. 6, 2023]. Retrieved from Internet, URL: https://www.amazon.com/Dogscute-Cleaner-Waterless-Shampoo-Silicone/dp/B0B1F2N82D/ref=asc_df_B0B1F2N82D/ (Year: 2022).*

(Continued)

(56) **References Cited**

U.S. PATENT DOCUMENTS

2,669,740 A 2/1954 Main
D193,171 S * 7/1962 Hulsh D4/114
D280,248 S * 8/1985 Hanson, Jr. D4/130
D314,280 S * 2/1991 Buecheler D4/114
D354,592 S * 1/1995 Powers D32/18
5,547,303 A * 8/1996 Pyrozyk B65D 47/42
401/277
D374,741 S * 10/1996 Devereaux D28/7
D375,588 S * 11/1996 Bzoch D4/114
6,575,651 B1 * 6/2003 Bertothy A46B 11/0065
401/281
D487,637 S 3/2004 Price
D544,714 S * 6/2007 Zemel D4/114
8,475,070 B1 7/2013 Miner et al.
D710,112 S * 8/2014 Dunn D4/125
D787,831 S * 5/2017 Jack D32/45
10,251,471 B1 4/2019 Sanderson
D851,407 S * 6/2019 Brown D4/127
D866,092 S * 11/2019 Liang D4/133

Primary Examiner — Katrina N Gonzalez

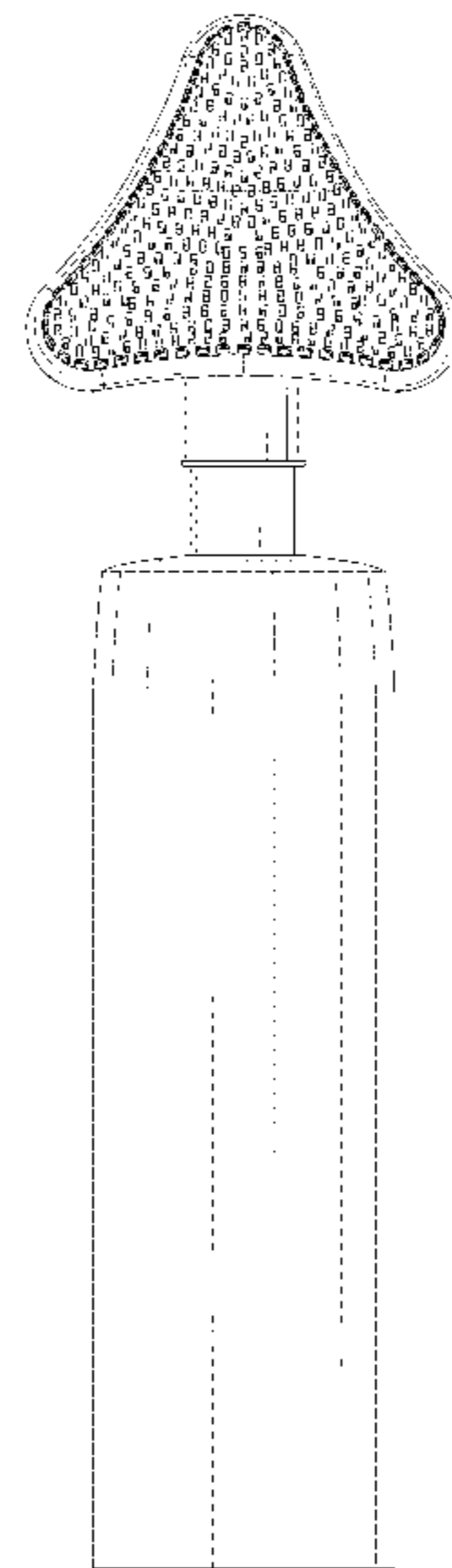
(57) **CLAIM**

The ornamental design for a paw cleaner brush, as shown and described.

DESCRIPTION

FIG. 1 is a front view of a paw cleaner brush showing my new design;
FIG. 2 is a rear view thereof;
FIG. 3 is an enlarged top view thereof;
FIG. 4 is an enlarged bottom view thereof;
FIG. 5 is a right view thereof;
FIG. 6 is a left view thereof; and,
FIG. 7 is a front-right perspective view thereof.

1 Claim, 7 Drawing Sheets



(56)

References Cited

U.S. PATENT DOCUMENTS

2015/0101630 A1* 4/2015 Kodama A45D 24/26
132/200

OTHER PUBLICATIONS

“Gentle Creatures” available Dec. 16, 2021, [online], [site visited Oct. 6, 2023]. Retrieved from Internet, URL:https://www.amazon.com/GENTLE-CREATURES-Magic-Foam-Waterless/dp/B09NPQYXSY/ref=asc_df_B09NPQYXSY/ (Year: 2021).*

“Gjyc Pet No-Rinse Paw Cleaner Foam” available May 12, 2023, [online], [site visited Oct. 6, 2023]. Retrieved from Internet, URL:https://www.amazon.com/GJYC-PET-Foam-Waterless-Plant-Based-Microfiber/dp/B0C52MQ2N1/ref=asc_df_B0C52MQ2N1/ (Year: 2023).*

“PetClan Citrus” available Dec. 8, 2022, [online], [site visited Oct. 6, 2023]. Retrieved from Internet, URL:https://www.amazon.com/PetClan-Waterless-Microfiber-Absorbent-Formulated/dp/B0BJ1SBTQP/ref=sxin_16_pa_sp_search_thematic_sspa(Year: 2022).*

* cited by examiner

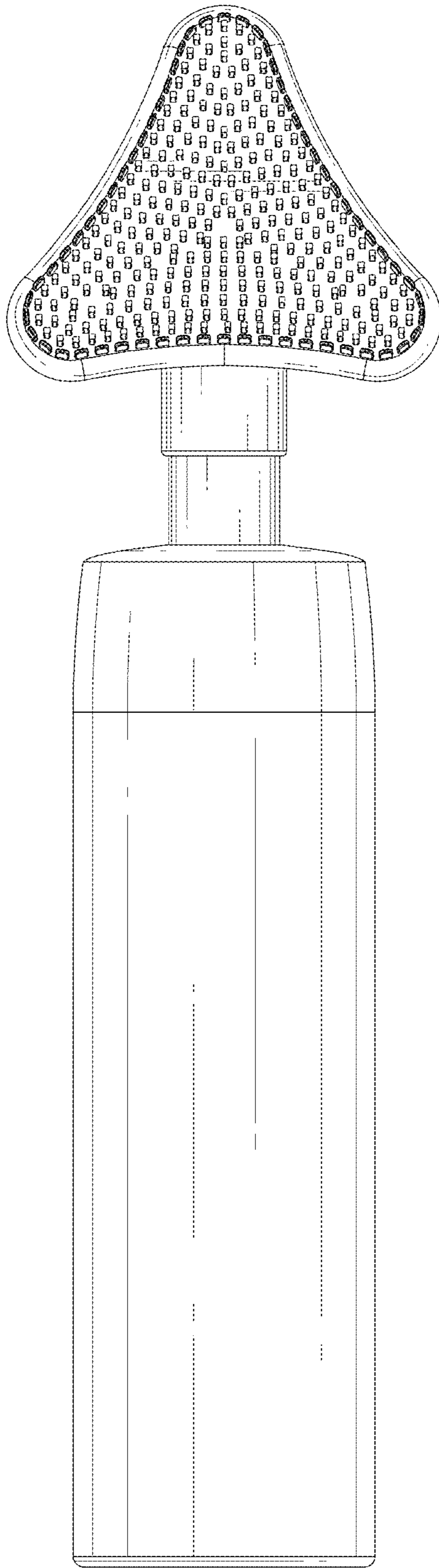


FIG. 1

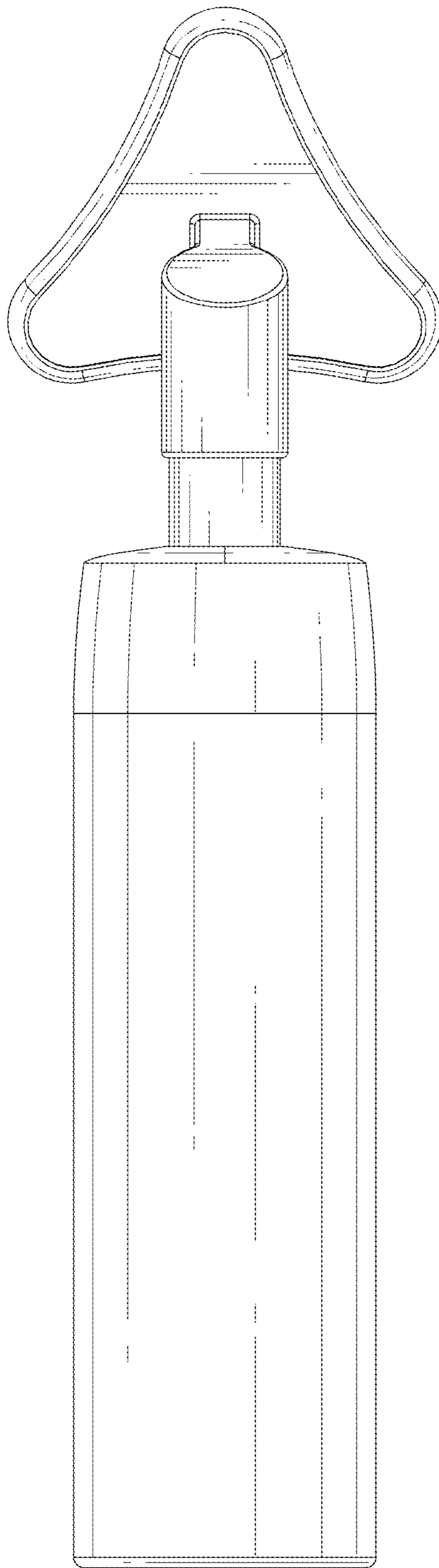


FIG. 2

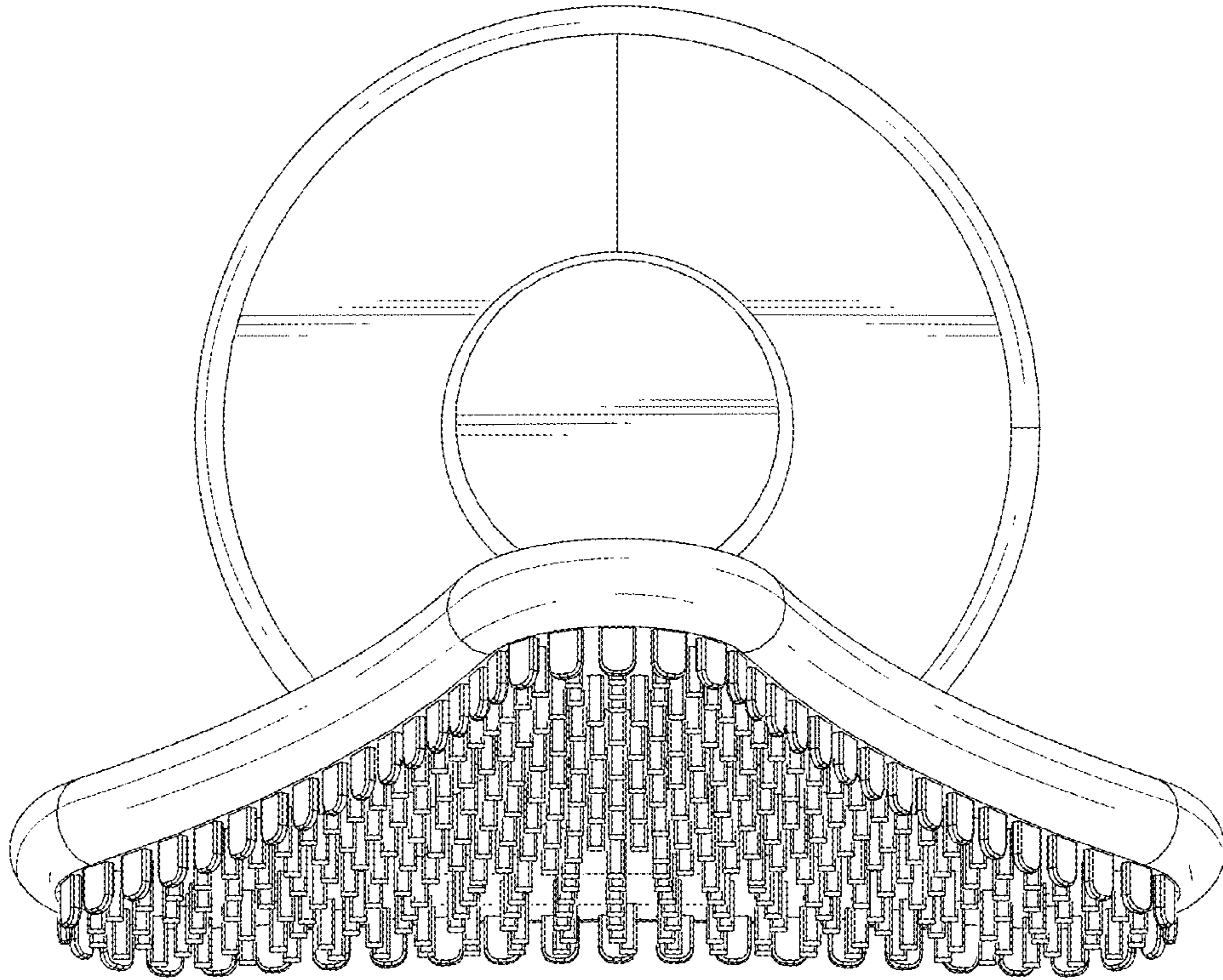


FIG. 3

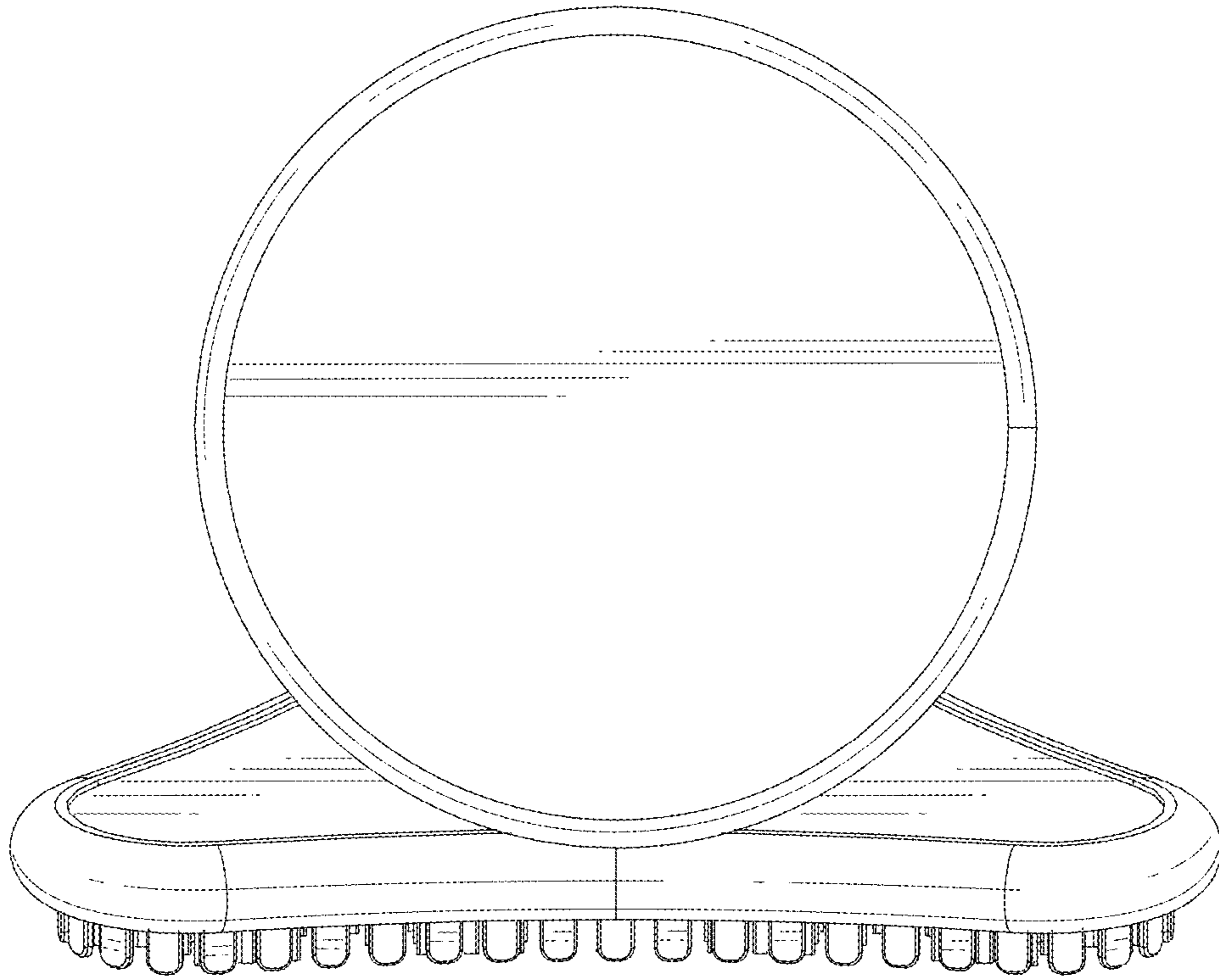


FIG. 4

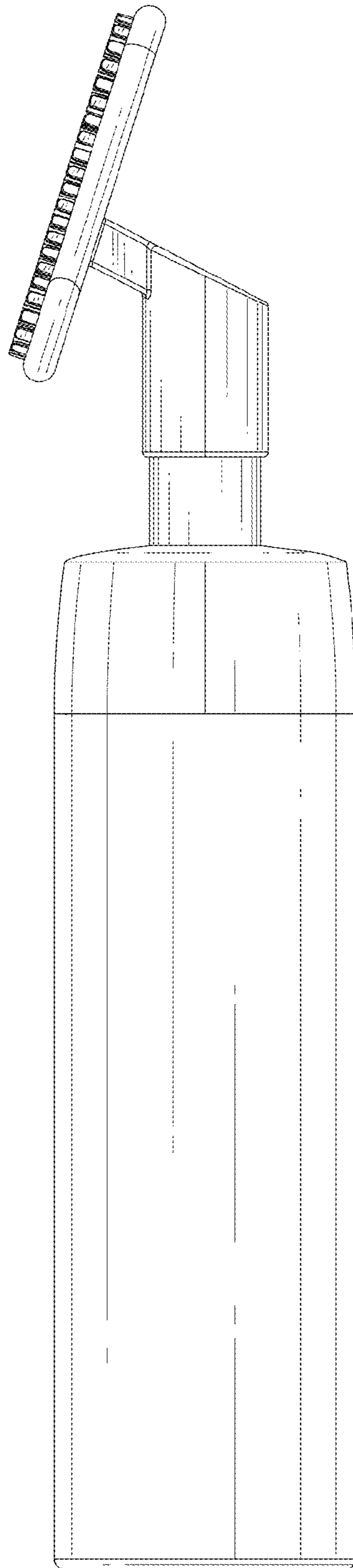


FIG. 5

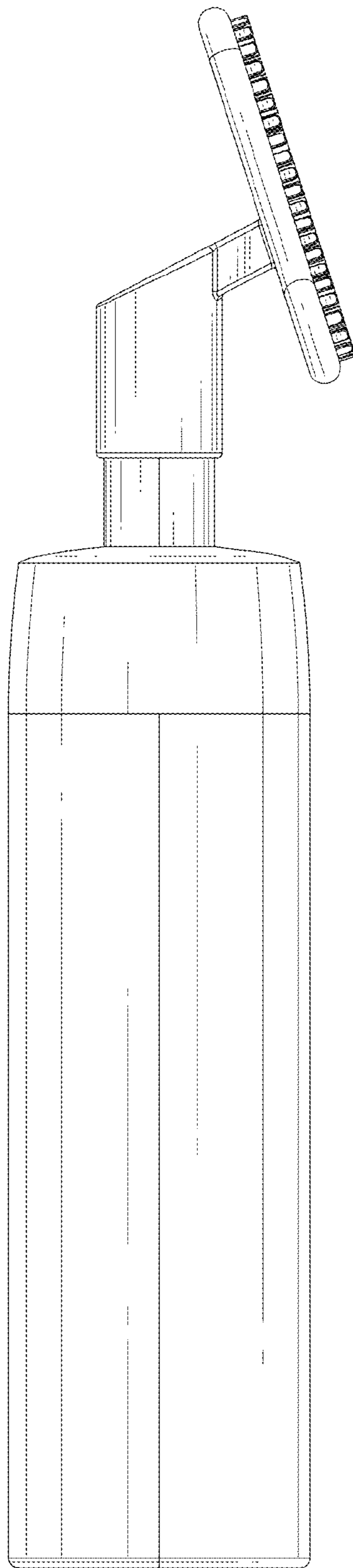


FIG. 6

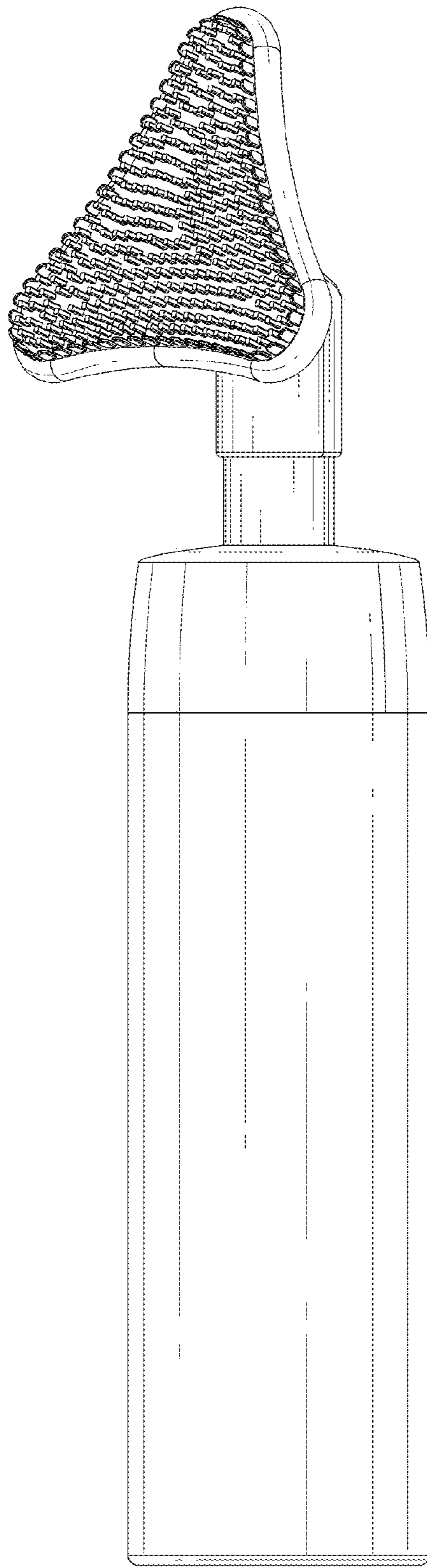


FIG. 7