



US0D1020114S

(12) **United States Design Patent** (10) **Patent No.:** **US D1,020,114 S**
Cui (45) **Date of Patent:** **** Mar. 26, 2024**

(54) **PET BOOSTER SEAT FOR CAR**

FOREIGN PATENT DOCUMENTS

(71) Applicant: **Yuanhang Cui**, Enshi Prefecture (CN)

CN 304316315 * 10/2017
CN 306859221 * 9/2021
CN 306968714 * 11/2021

(72) Inventor: **Yuanhang Cui**, Enshi Prefecture (CN)

(**) Term: **15 Years**

OTHER PUBLICATIONS

(21) Appl. No.: **29/905,368**

Bochao Dog Car Seat Pet Booster, available in Amazon.com, date first available May 16, 2022 [online], [site visited Nov. 7, 2023], Available from the internet URL: <https://www.amazon.com/dp/B0B1DL6ZN7?th=1> (Year: 2022).*

(22) Filed: **Oct. 19, 2023**

Wooaidagg Dog Car Seat, available in Amazon.com, date first available Sep. 9, 2023 [online], [site visited Nov. 7, 2023], Available from the internet URL: <https://www.amazon.com/dp/B0CCD14FML?th=1> (Year: 2023).*

(51) **LOC (14) Cl.** **30-06**

(52) **U.S. Cl.**
USPC **D30/118**

(58) **Field of Classification Search**

USPC D3/232; D6/595, 596, 601, 605;
D30/108-109, 112, 117-119, 161
CPC .. A01K 1/0236; A01K 1/0245; A01K 1/0254;
A01K 1/0272; A01K 1/0353; B60N
2/6009; B60N 2/6018

See application file for complete search history.

* cited by examiner

Primary Examiner — Vy N Koenig
Assistant Examiner — Elizabeth Anne Glassberg
(74) *Attorney, Agent, or Firm* — Georgi Korobanov

(56) **References Cited**

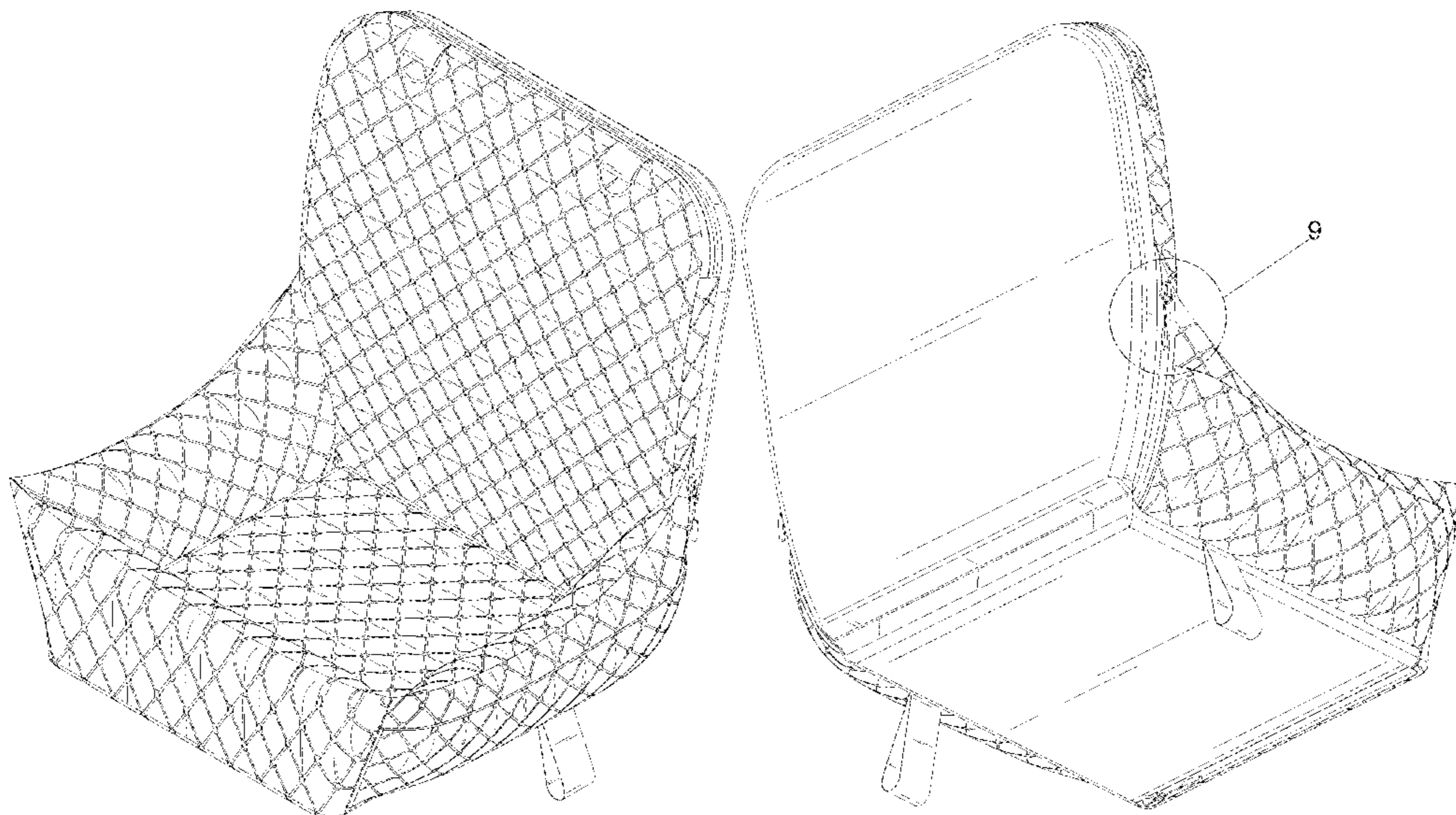
DESCRIPTION

U.S. PATENT DOCUMENTS

D366,368	S	*	1/1996	McCarthy	D6/333
D592,361	S		5/2009	Jakubowski		
D626,701	S	*	11/2010	Kostial	D30/118
D629,164	S	*	12/2010	Lamstein	D6/601
D804,747	S	*	12/2017	Wright	D34/27
D821,657	S		6/2018	Jakubowski		
D882,185	S	*	4/2020	Stein	D30/118
D955,664	S	*	6/2022	Zhou	D30/118
D977,731	S	*	2/2023	Ryu	D30/118
D984,749	S	*	4/2023	Shao	D30/118
D1,002,118	S	*	10/2023	Zhao	D30/118
D1,003,535	S	*	10/2023	Jin	D30/118
D1,005,605	S	*	11/2023	Guo	D30/118
D1,005,606	S	*	11/2023	Xu	D30/118
2005/0284415	A1	*	12/2005	O'Donnell	B60R 22/10 119/771

FIG. 1 is a front, top and right side perspective view of a pet booster seat for car, showing my new design;
FIG. 2 is a rear, bottom and left side perspective view thereof;
FIG. 3 is a rear view thereof;
FIG. 4 is a front view thereof;
FIG. 5 is a left side view thereof;
FIG. 6 is a right side view thereof;
FIG. 7 is a top plan view thereof;
FIG. 8 is a bottom plan view thereof; and,
FIG. 9 is an enlarged view of portion 9 shown in FIG. 2 thereof.
The dot-dash broken lines depict the boundaries of the enlargements that form no part of the claimed design.

1 Claim, 9 Drawing Sheets



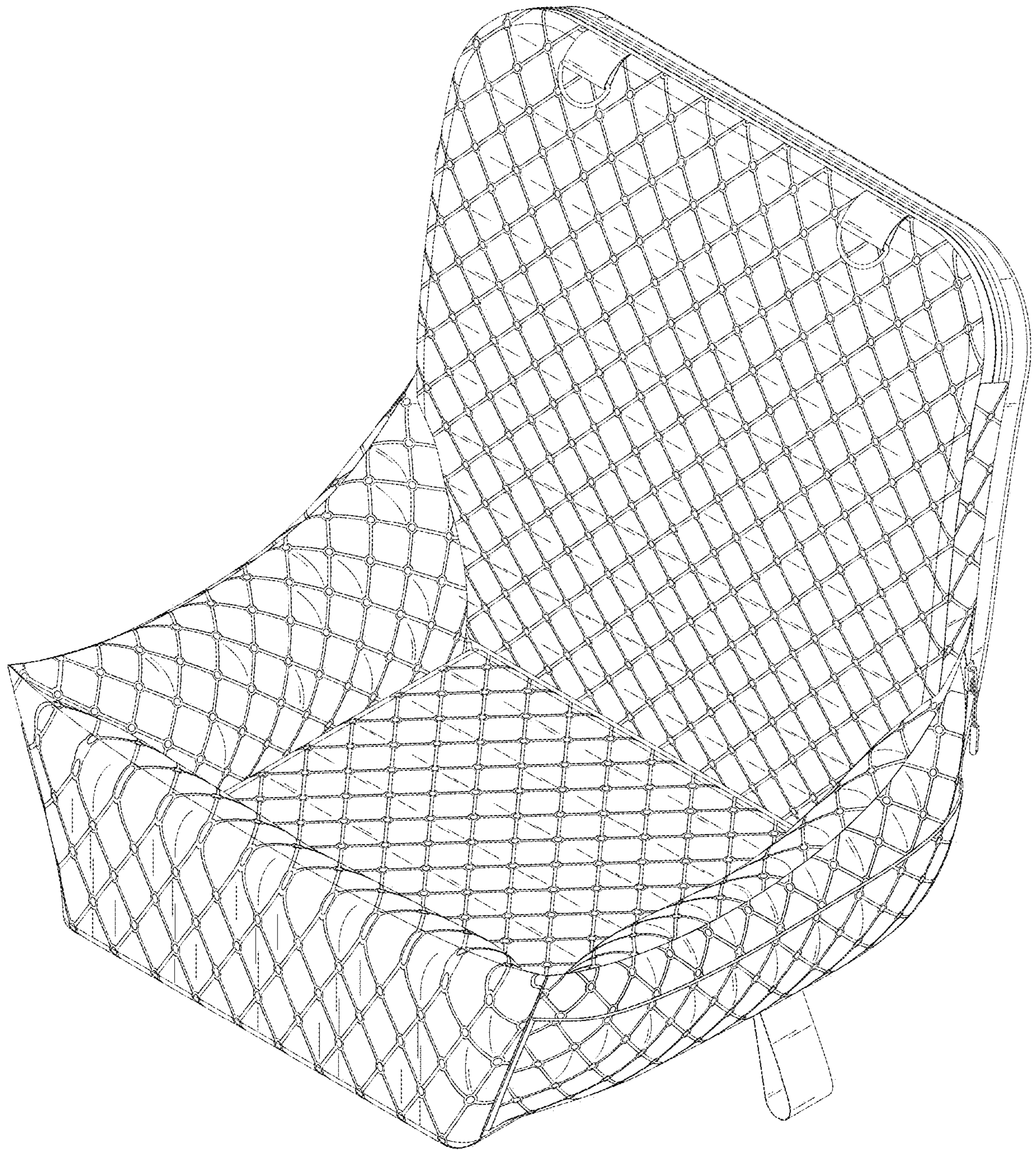


FIG. 1

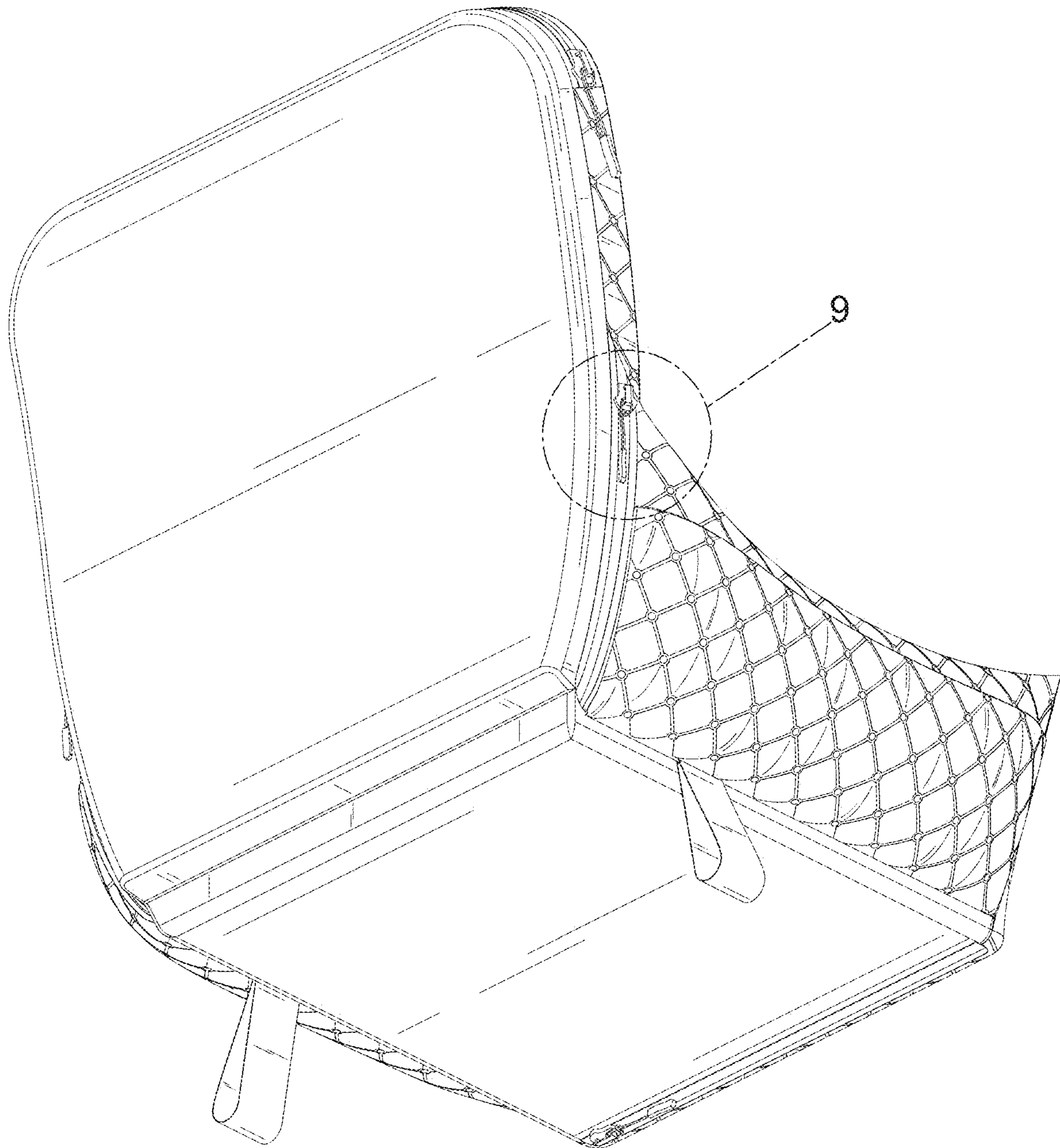


FIG. 2

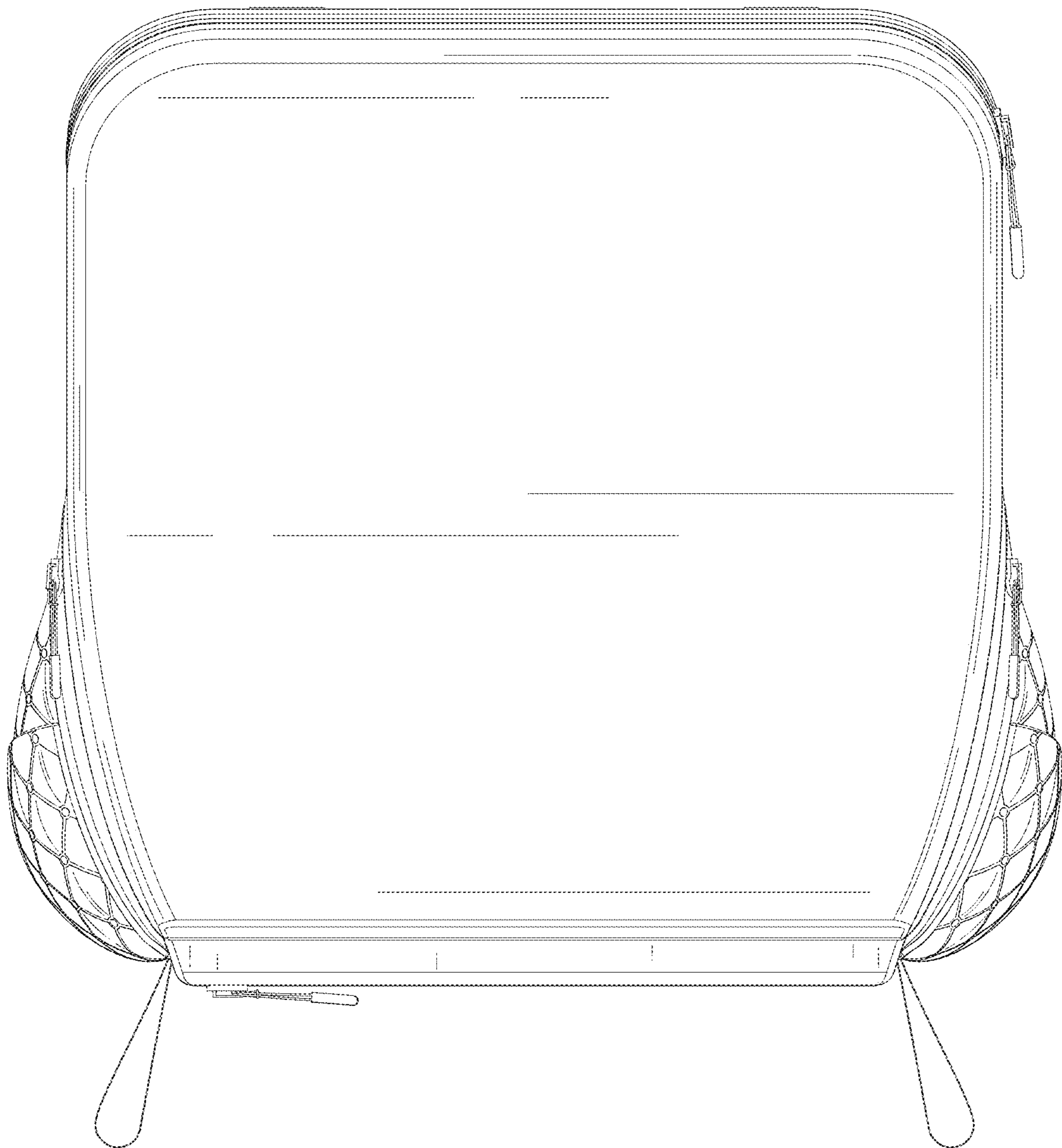


FIG. 3

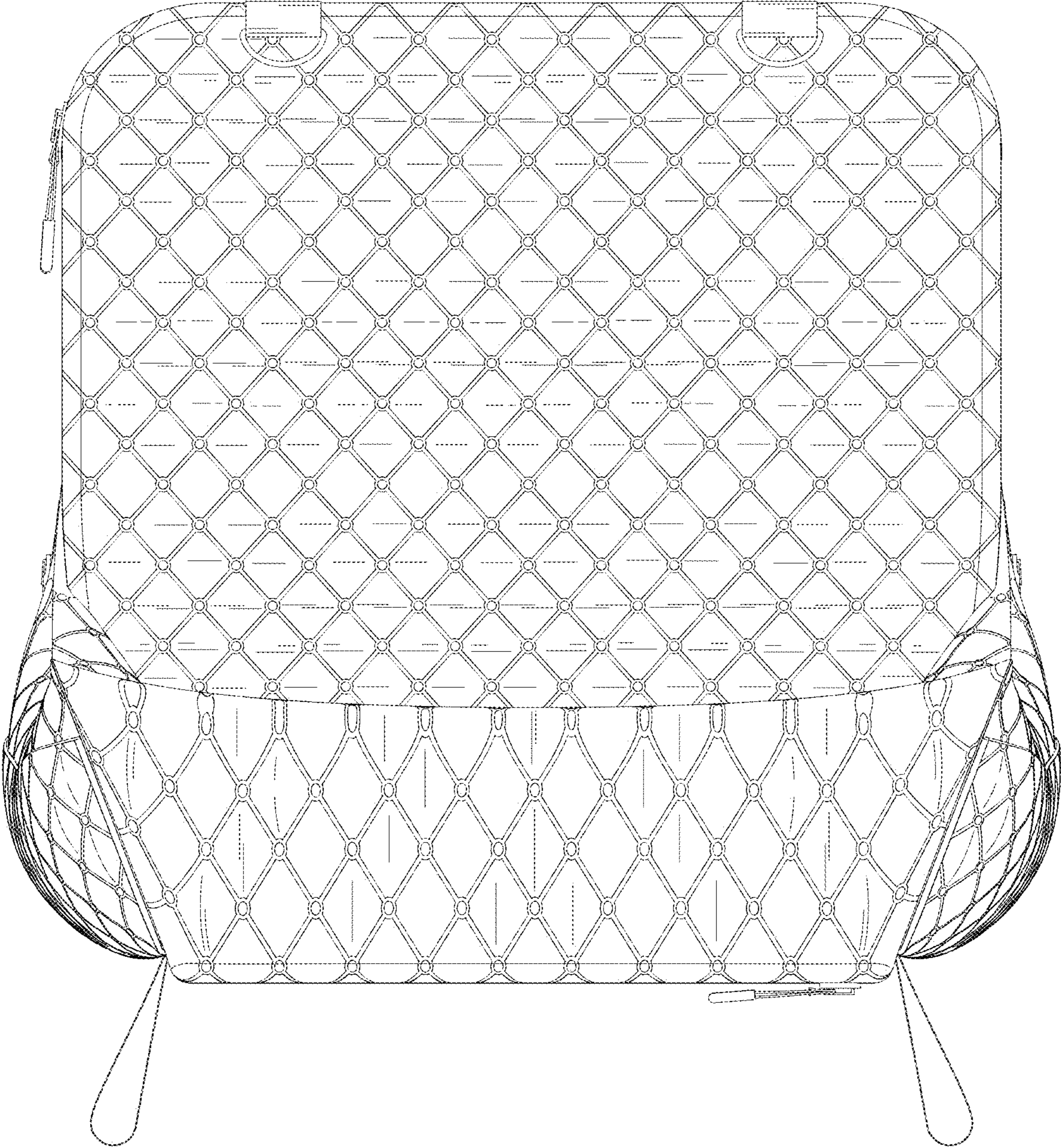


FIG. 4

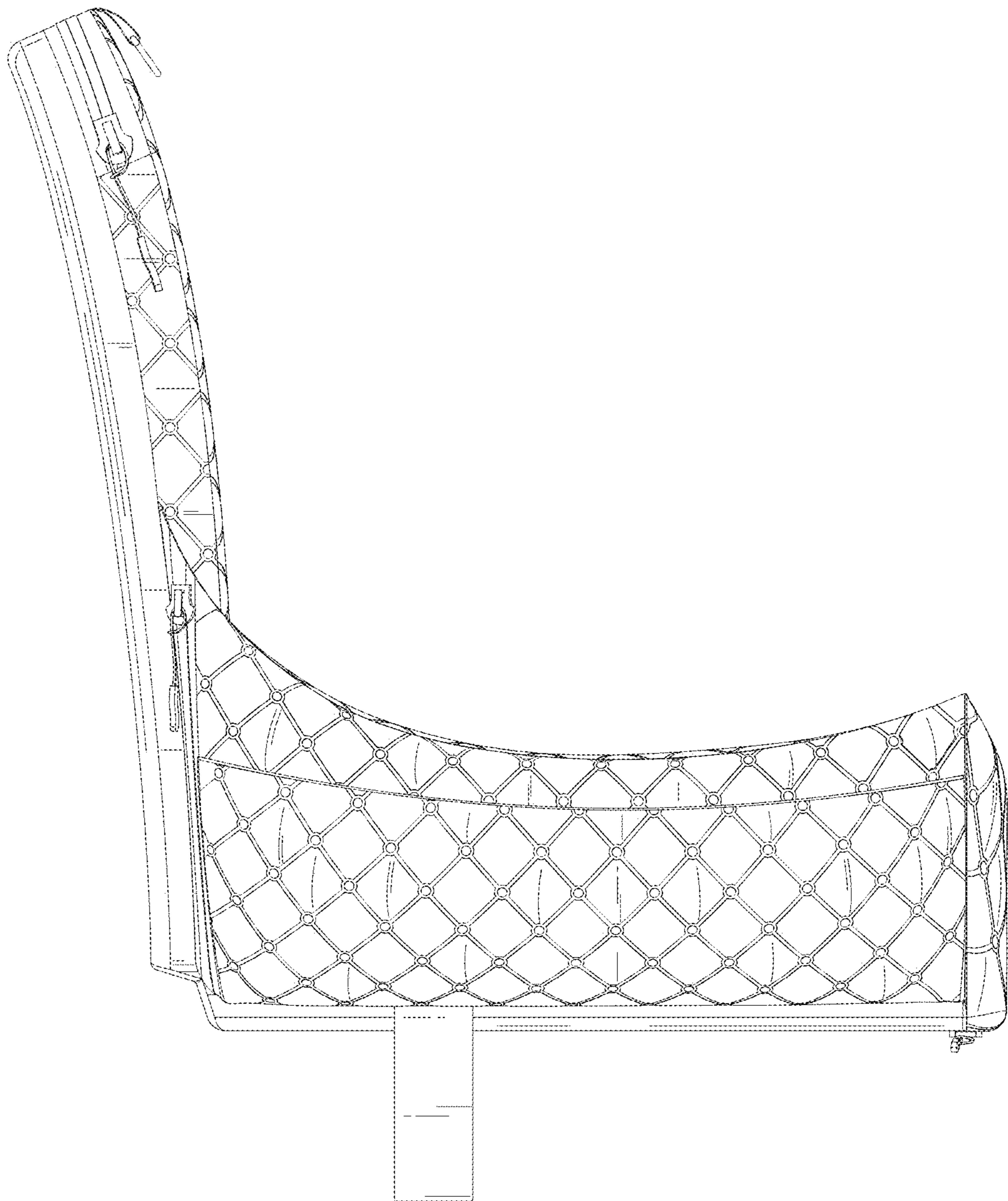


FIG. 5

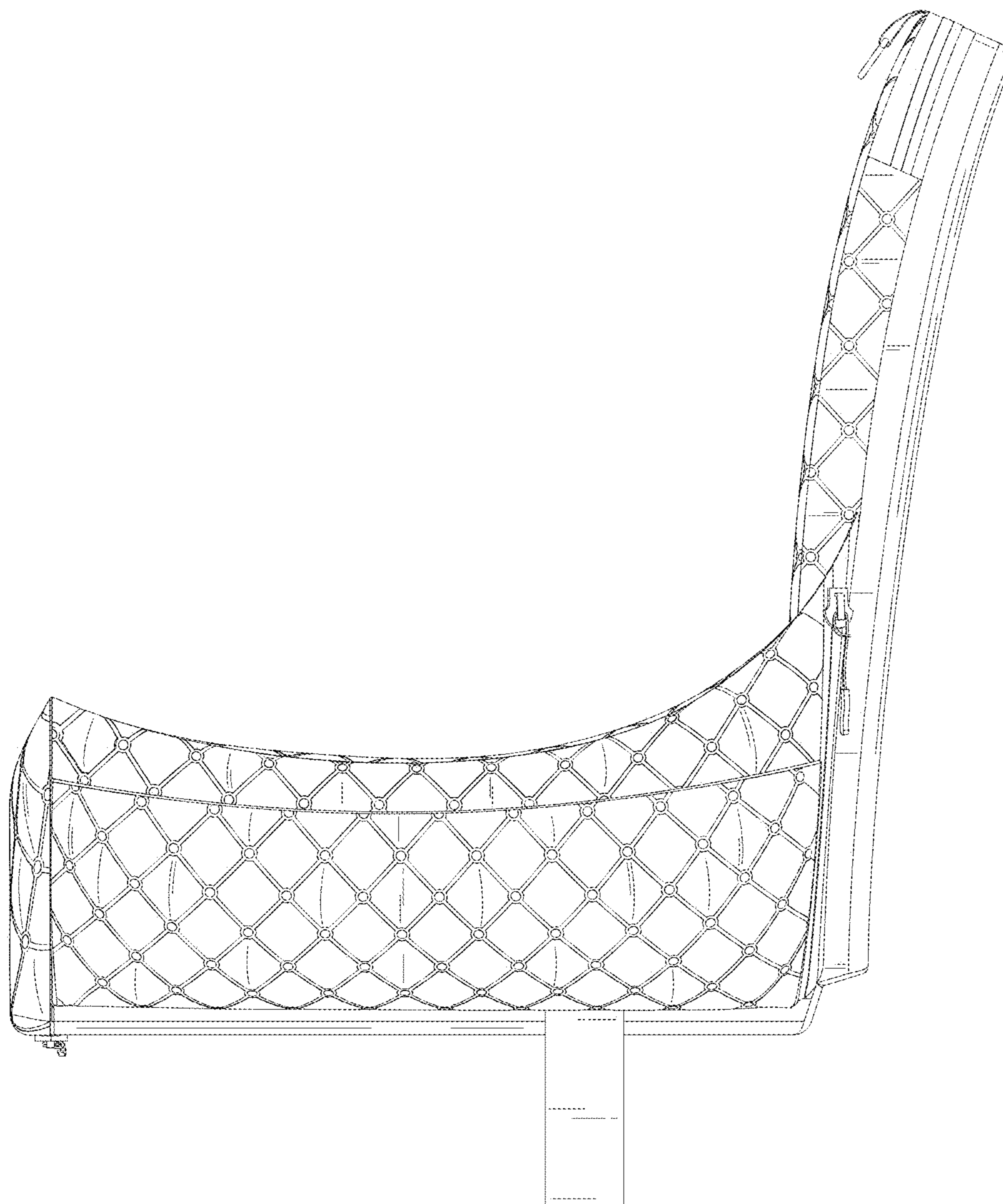


FIG. 6

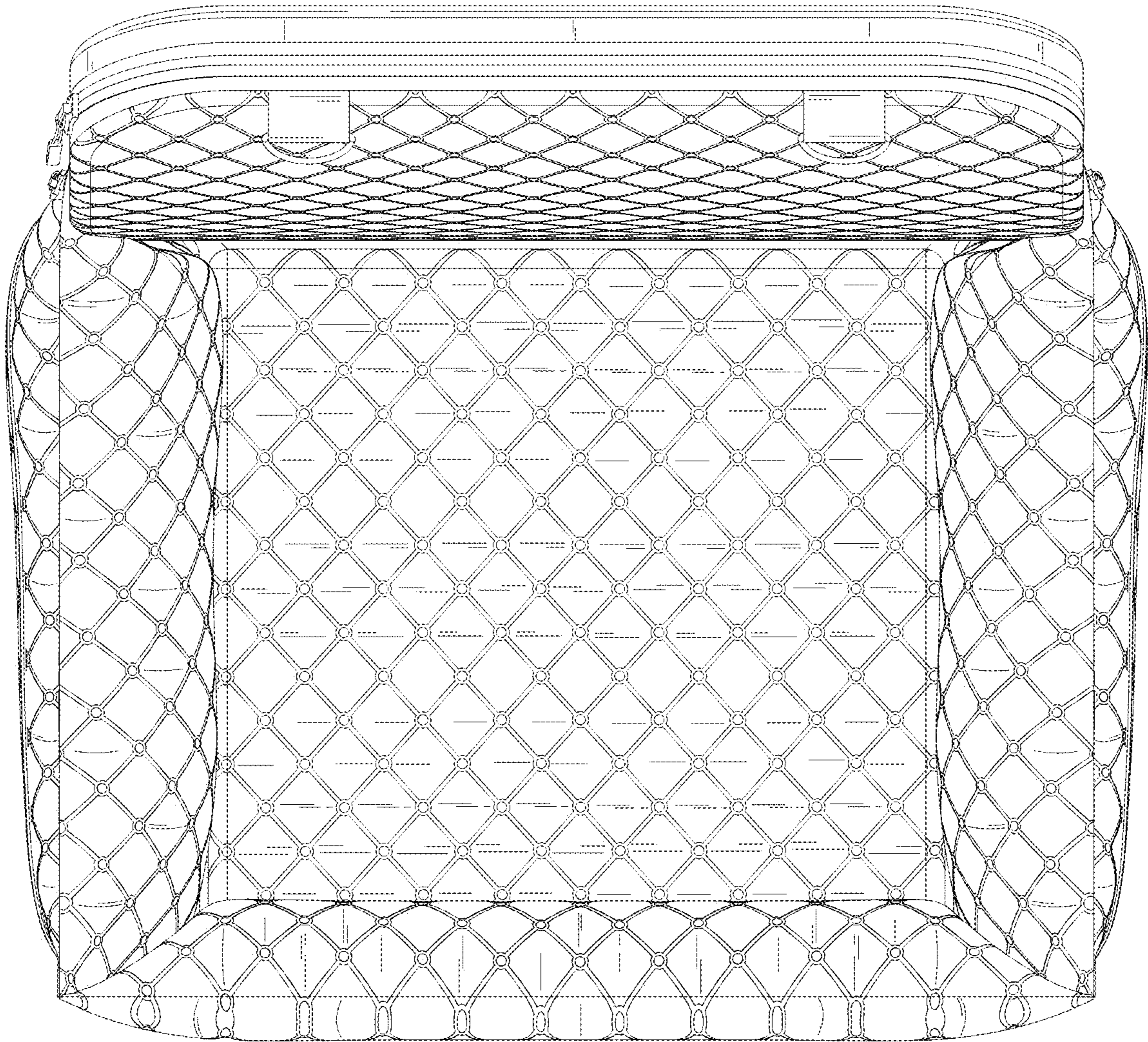


FIG. 7

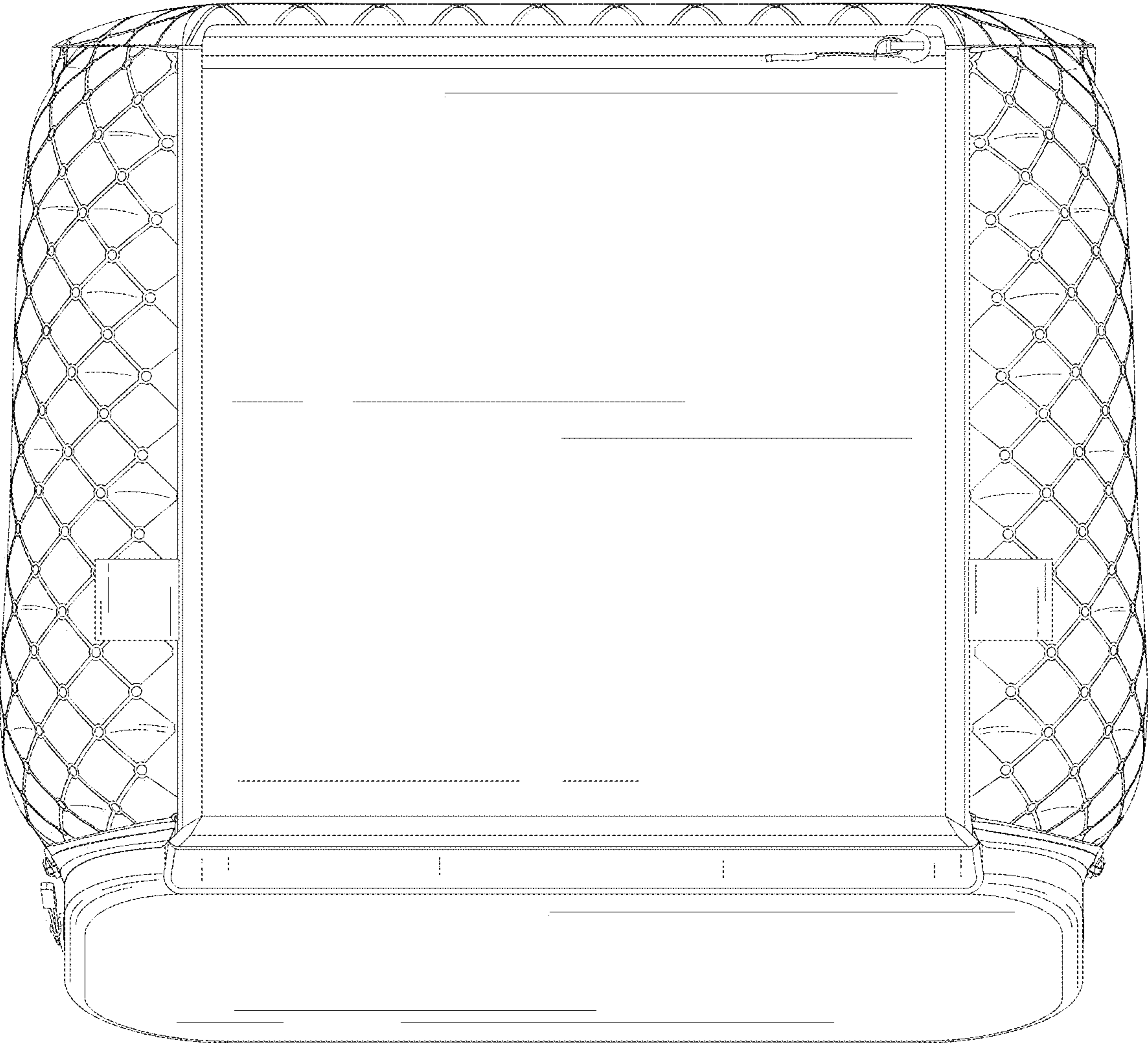


FIG. 8

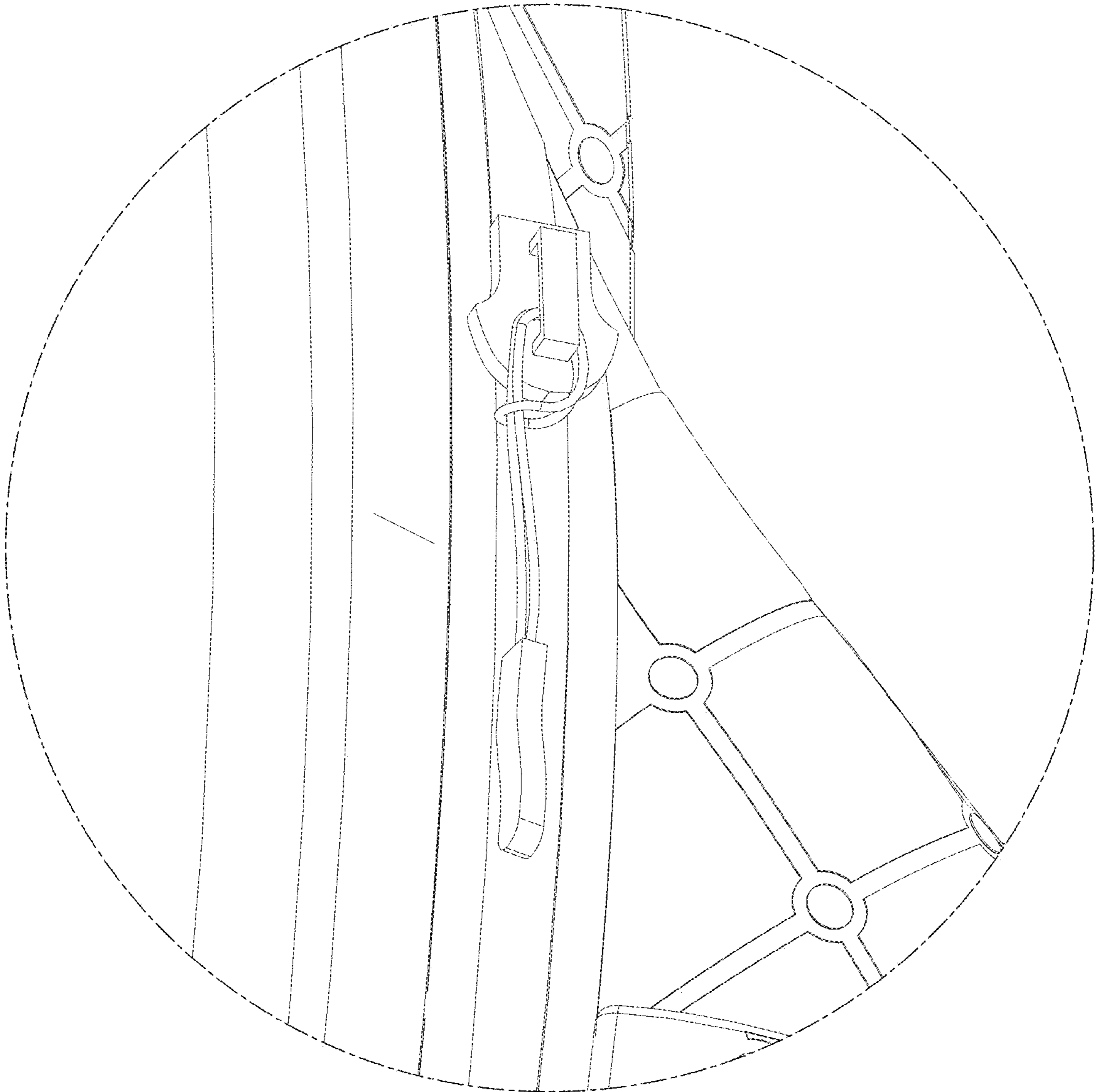


FIG. 9