



US0D1019930S

(12) **United States Design Patent**
Song

(10) **Patent No.:** **US D1,019,930 S**

(45) **Date of Patent:** **** Mar. 26, 2024**

(54) **PROSTATE AND URINARY INCONTINENCE TREATMENT DEVICE**

10,925,487 B2 * 2/2021 Thomas A61B 5/1107
D913,384 S * 3/2021 Thiel D21/686
D941,683 S * 1/2022 Igwebuike D9/418

(Continued)

(71) Applicants: **GENERAL NET CORP.**, Seoul (KR);
Kang Ho Song, Seoul (KR)

FOREIGN PATENT DOCUMENTS

(72) Inventor: **Kang Ho Song**, Seoul (KR)

KR 301149268.0000 * 2/2022
KR 301193282.0000 * 12/2022

(73) Assignees: **GENERAL NET CORP.**, Seoul (KR);
Kang Ho Song, Seoul (KR)

OTHER PUBLICATIONS

(**) Term: **15 Years**

Emsella Chair Treatment. Oct. 22, 2021. Site visited Feb. 10, 2023.
[https://www.youtube.com/watch?v=z5kIZVC1_PE] (Year: 2021).*

(21) Appl. No.: **29/795,505**

(Continued)

(22) Filed: **Jun. 18, 2021**

Primary Examiner — Wendy L Arminio
Assistant Examiner — Maheen Khurshid

(30) **Foreign Application Priority Data**

(57) **CLAIM**

Jun. 14, 2021 (KR) 30-2021-0028156

The ornamental design for a prostate and urinary incontinence treatment device, as shown and described.

(51) **LOC (14) Cl.** **24-01**

DESCRIPTION

(52) **U.S. Cl.**

USPC **D24/107**

(58) **Field of Classification Search**

USPC D24/107, 108, 117, 118, 121–124, 141,
D24/162, 215; D6/334, 342, 716.7

CPC A61M 16/0683; A61M 16/0875; A61M
16/0666; A61M 16/0605; A61M 16/0611;
A61M 16/208; A61M 2205/42; A62B
23/06

See application file for complete search history.

FIG. 1 is a perspective view of a prostate and urinary incontinence treatment device according to the present invention;

FIG. 2 is a front view of the prostate and urinary incontinence treatment device of FIG. 1;

FIG. 3 is a rear view of the prostate and urinary incontinence treatment device of FIG. 1;

FIG. 4 is a left side view of the prostate and urinary incontinence treatment device of FIG. 1;

FIG. 5 is a right side view of the prostate and urinary incontinence treatment device of FIG. 1;

FIG. 6 is top plan view of the prostate and urinary incontinence treatment device of FIG. 1; and,

FIG. 7 is a bottom plan view of the prostate and urinary incontinence treatment device of FIG. 1.

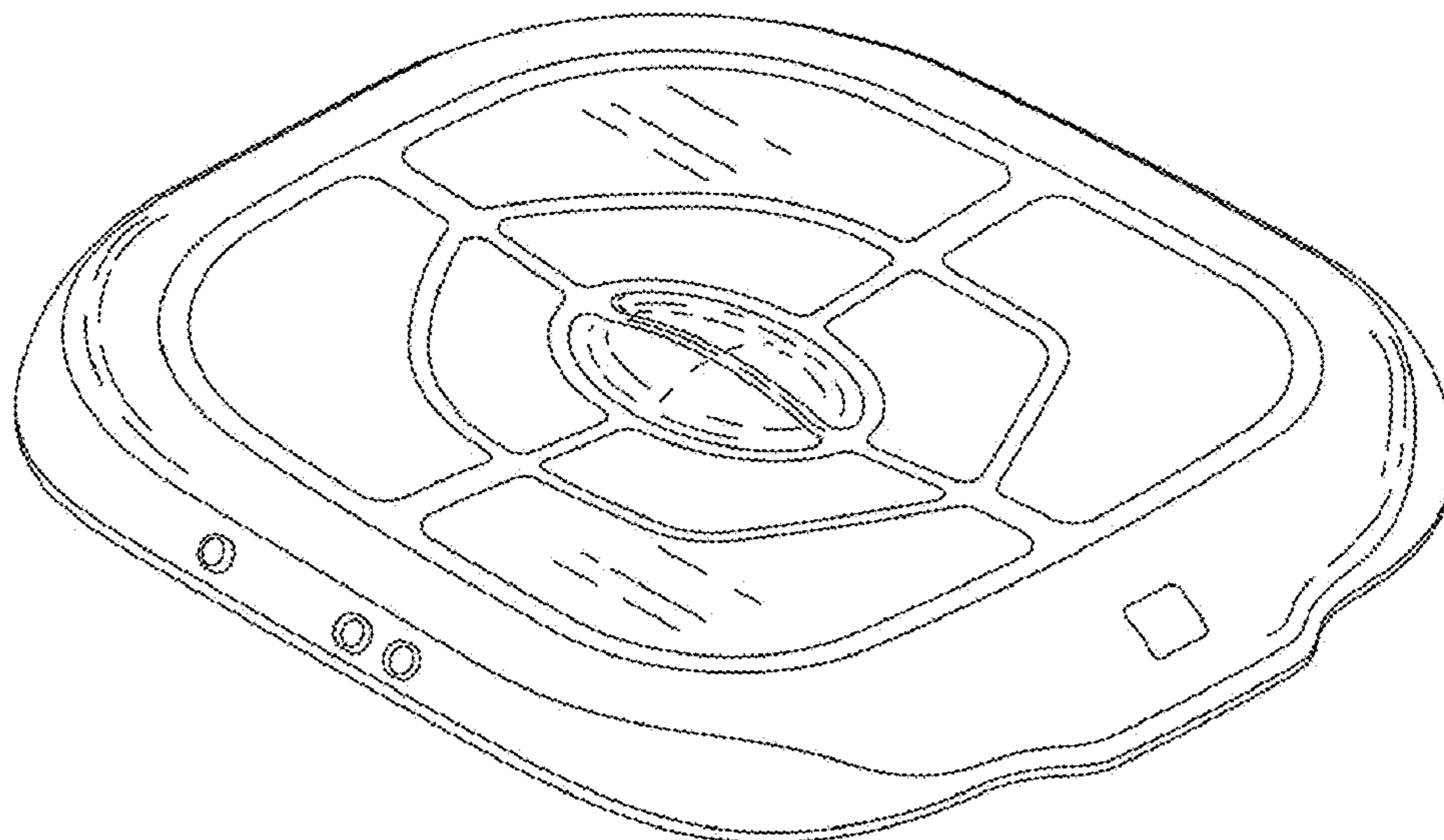
The broken lines show portions of a prostate and urinary incontinence treatment device which forms no part of the claimed design.

(56) **References Cited**

U.S. PATENT DOCUMENTS

D406,642 S * 3/1999 Remes D24/107
6,436,029 B1 * 8/2002 Benderev A61F 2/0009
128/885
7,473,214 B2 * 1/2009 Schuurmans Stekhoven
A63B 23/20
600/587

1 Claim, 7 Drawing Sheets



(56)

References Cited

U.S. PATENT DOCUMENTS

D961,766 S * 8/2022 Riha-Scott D24/126
2007/0185417 A1 * 8/2007 Mittal A61B 5/6887
600/587
2015/0141881 A1 * 5/2015 Oh A61N 1/36007
607/3
2022/0323295 A1 * 10/2022 Morgentaler A61H 23/02

OTHER PUBLICATIONS

Portable Pelvic Floor Muscle Rehabilitation Seat Cushion EMSlim.
Nov. 10, 2017. Site visited Feb. 11, 2023. [[https://www.dhgate.com/
product/12-pads-vacuum-lipo-laser-cavitation-rf-slimming/377637687.
html](https://www.dhgate.com/product/12-pads-vacuum-lipo-laser-cavitation-rf-slimming/377637687.html)] (Year: 2017).*

* cited by examiner

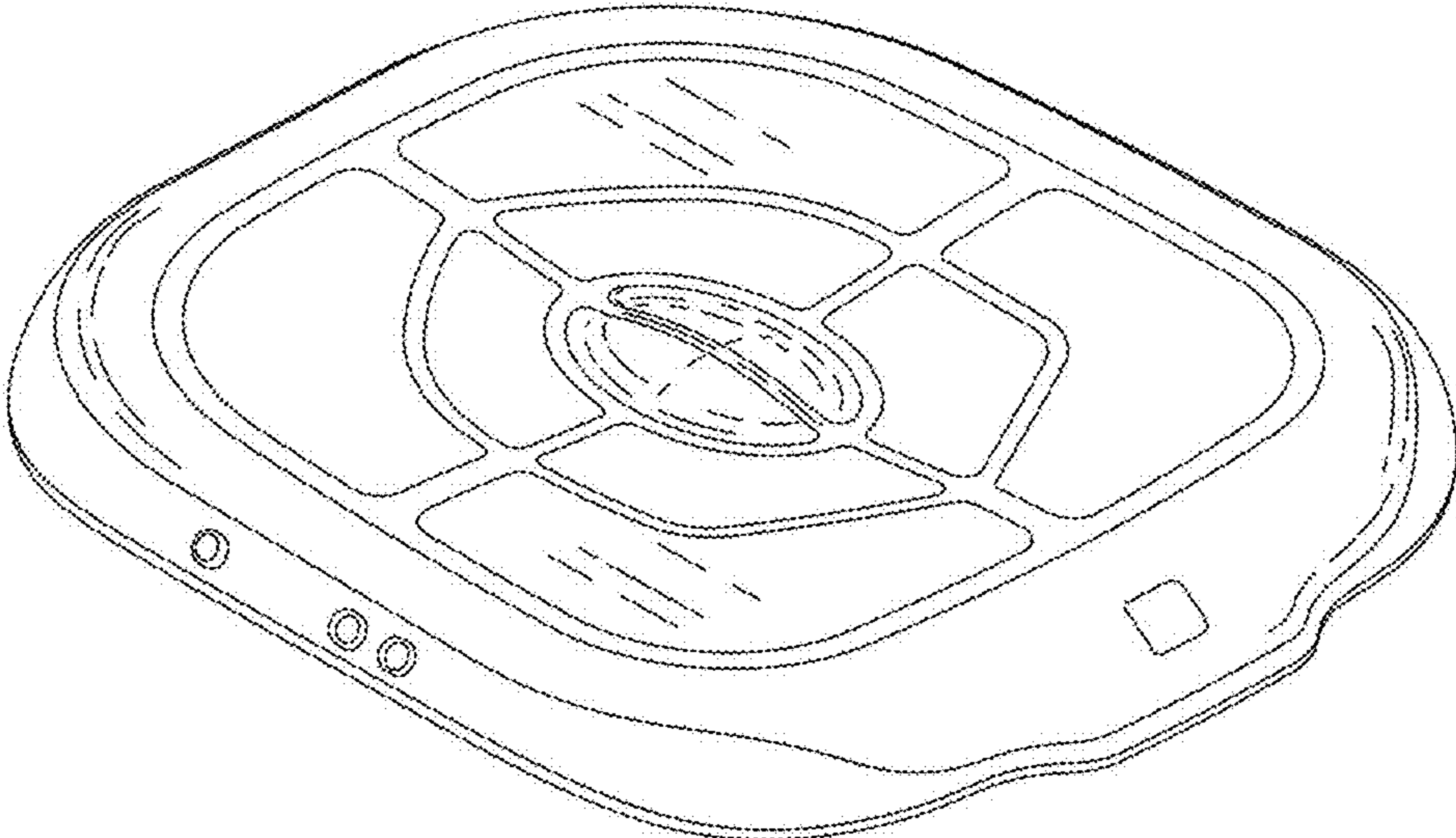


Fig. 1

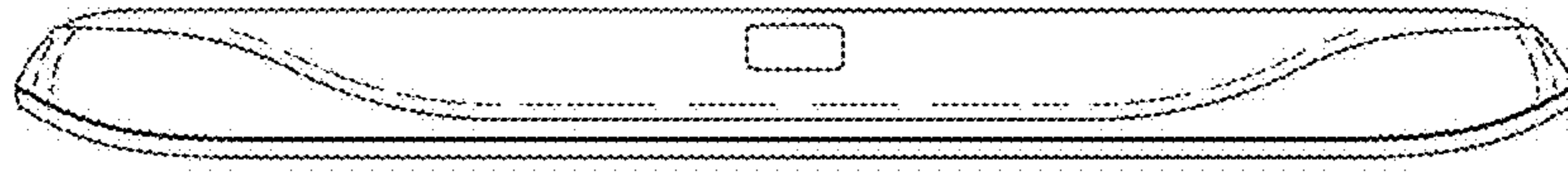


Fig. 2

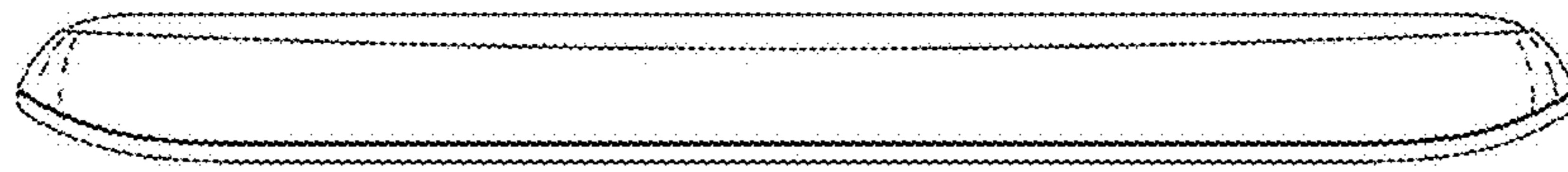


Fig. 3

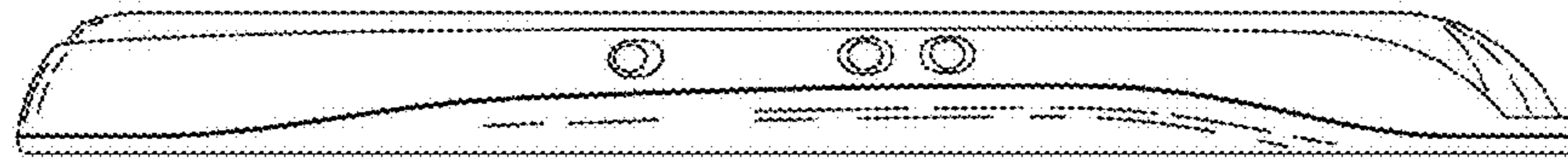


Fig. 4

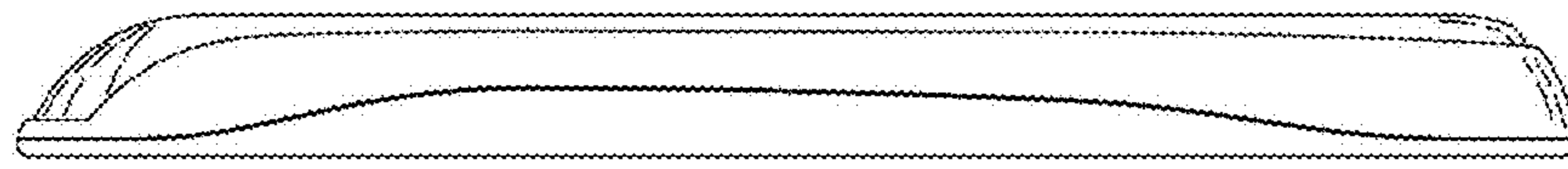


Fig. 5

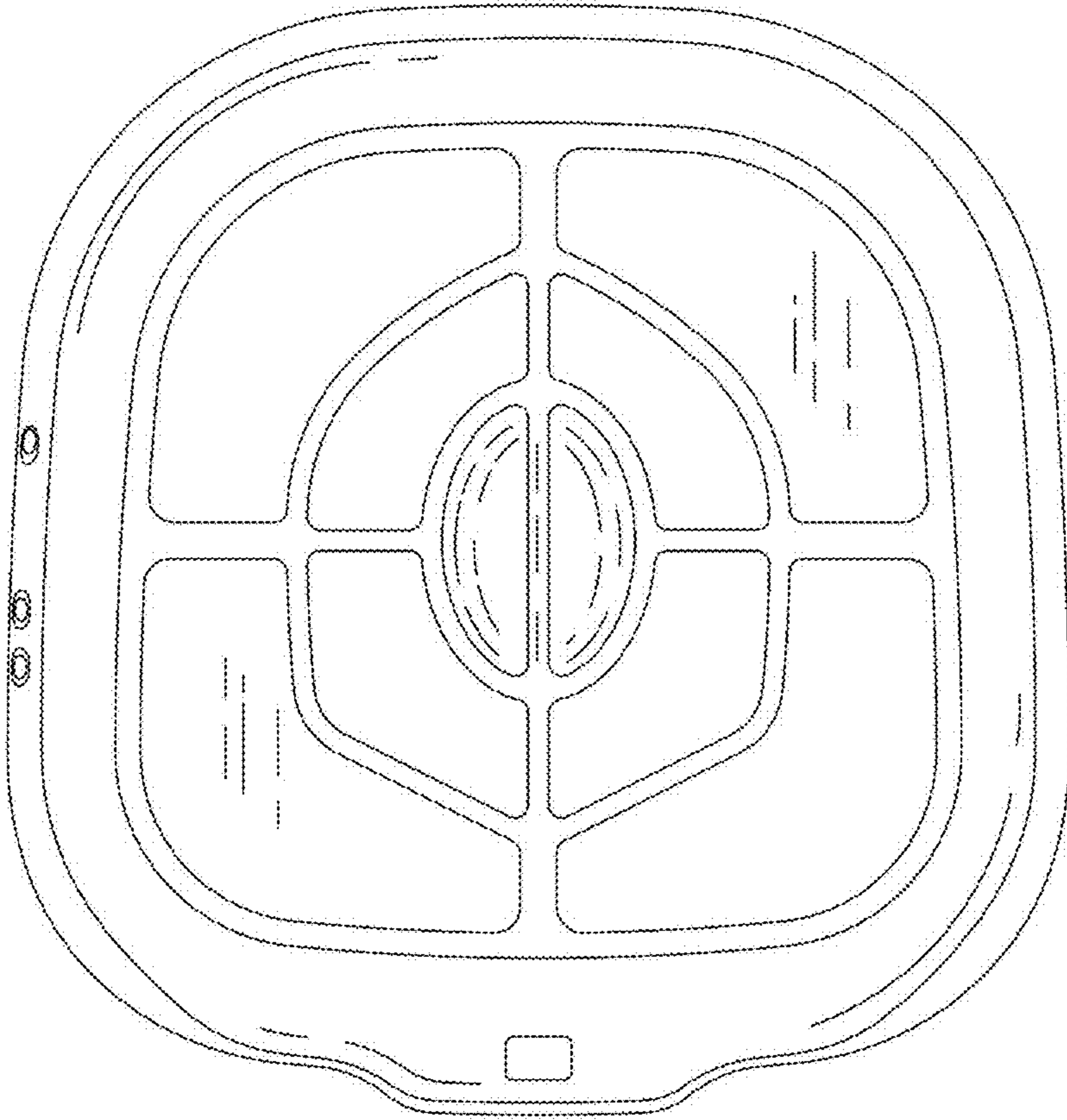


Fig. 6

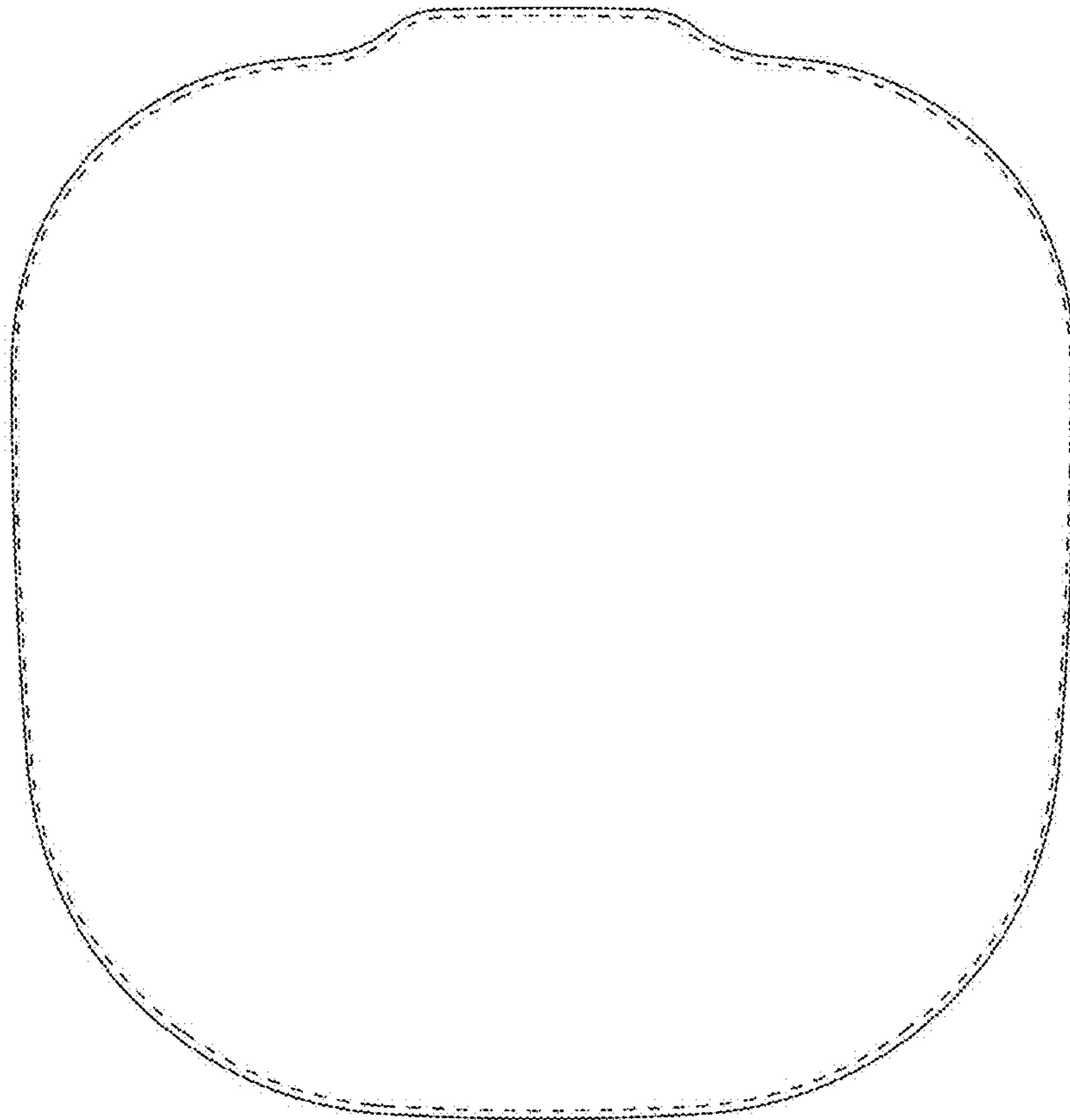


Fig. 7