



US0D1019893S

(12) **United States Design Patent**
Svendsen et al.

(10) **Patent No.:** **US D1,019,893 S**

(45) **Date of Patent:** **** Mar. 26, 2024**

(54) **NOZZLE**

(71) Applicant: **Melnor, Inc.**, Winchester, VA (US)

(72) Inventors: **Sean Svendsen**, Columbus, OH (US);
Donald Collins Meves, Columbus, OH (US);
Eric James Fickas, Plain City, OH (US)

(73) Assignee: **Melnor, Inc.**, Winchester, VA (US)

(**) Term: **15 Years**

(21) Appl. No.: **29/800,872**

(22) Filed: **Jul. 23, 2021**

Related U.S. Application Data

(62) Division of application No. 29/718,894, filed on Dec. 30, 2019, now Pat. No. Des. 928,288, which is a division of application No. 29/670,349, filed on Nov. 15, 2018, now Pat. No. Des. 875,212, which is a division of application No. 29/598,136, filed on Mar. 23, 2017, now Pat. No. Des. 838,809.

(51) **LOC (14) Cl.** **23-01**

(52) **U.S. Cl.**
USPC **D23/223**

(58) **Field of Classification Search**
USPC D23/226, 213, 223
CPC B05B 9/01
See application file for complete search history.

(56) **References Cited**

U.S. PATENT DOCUMENTS

2,376,881 A	5/1945	Adolph
3,150,829 A	9/1964	Specht et al.
3,820,716 A	6/1974	Bauer
4,903,897 A	2/1990	Hayes
D314,609 S	2/1991	Liaw
D325,620 S	4/1992	Heren
D338,706 S	8/1993	Wang

D340,762 S	10/1993	Wang
D355,953 S	2/1995	Wang
D359,101 S	6/1995	Kuo
D369,853 S	5/1996	Wang
D370,713 S	6/1996	Guo
D372,297 S	7/1996	Wang
D373,813 S	9/1996	Guo
D373,814 S	9/1996	Wang
D387,128 S	12/1997	Wang

(Continued)

FOREIGN PATENT DOCUMENTS

CN 102553757 B 2/2014

OTHER PUBLICATIONS

Best Garden Hose Nozzles & Sprayers: Guide & Recommendations, posted to gardeningproductsreview.com. Available date: Apr. 19, 2014 [site visited Aug. 2, 2023] Available: <<https://gardeningproductsreview.com/best-garden-hose-nozzles/>> (Year: 2014).*

(Continued)

Primary Examiner — Kevin K Rudzinski

(74) *Attorney, Agent, or Firm* — HEA Law PLLC; Darrin Auito

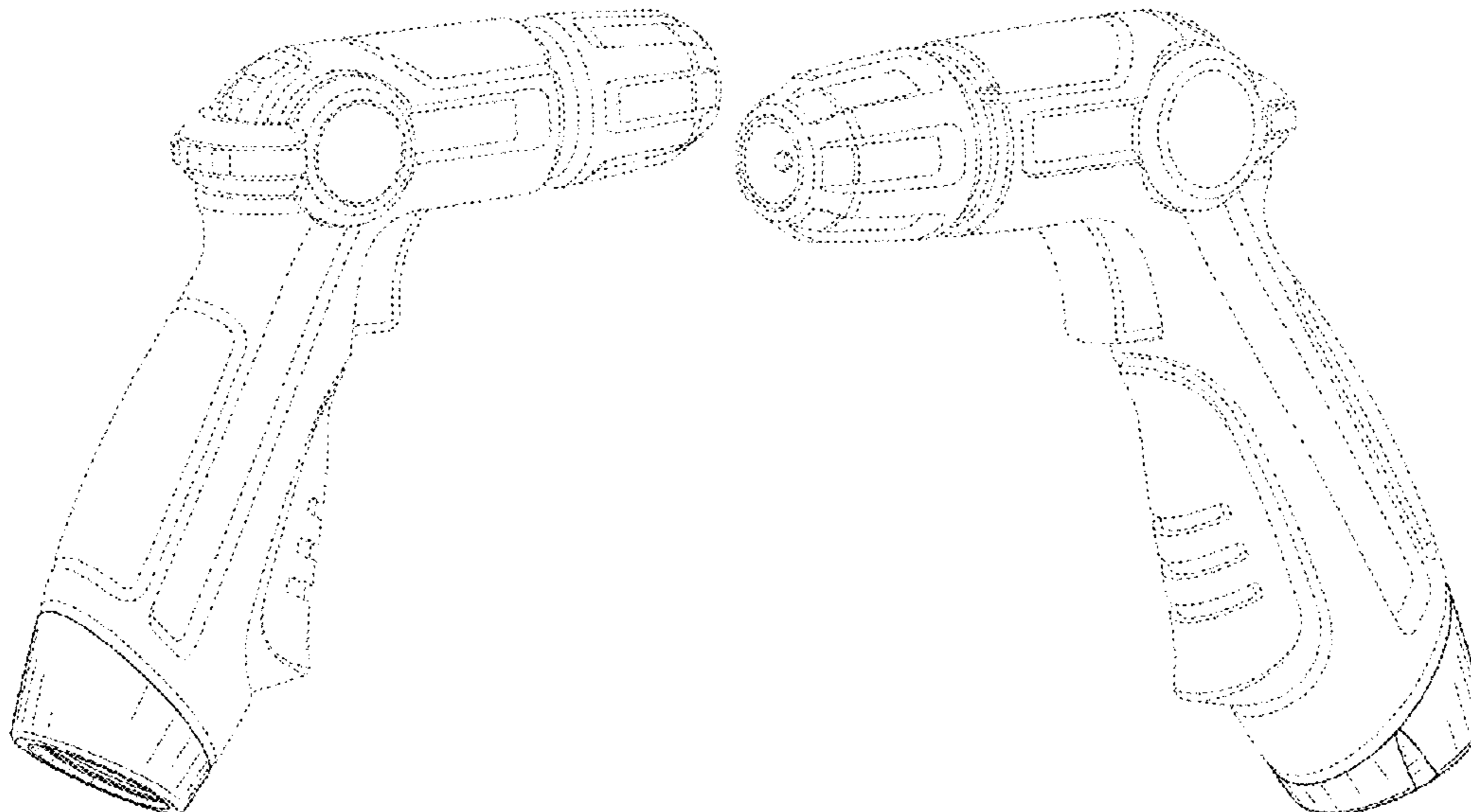
(57) **CLAIM**

The ornamental design for a nozzle, as shown and described.

DESCRIPTION

FIG. 1 is a rear perspective view of a nozzle;
FIG. 2 is a front elevational view thereof;
FIG. 3 is a rear elevational view thereof;
FIG. 4 is a right side elevational view thereof;
FIG. 5 is a left side elevational view thereof;
FIG. 6 is a top plan view thereof;
FIG. 7 is a bottom plan view thereof; and,
FIG. 8 is a front perspective view thereof.

1 Claim, 6 Drawing Sheets



(56)

References Cited

U.S. PATENT DOCUMENTS

5,806,770 A 9/1998 Wang
D402,000 S * 12/1998 Goodin D23/226
D408,496 S 4/1999 Wang
D408,497 S 4/1999 Wang
D408,890 S 4/1999 Wang
D409,720 S 5/1999 Guo
D415,557 S 10/1999 Kuo
D417,256 S 11/1999 Kuo
D431,069 S 9/2000 Heren
D431,280 S 9/2000 Kuo
D446,282 S 8/2001 Wang
D446,283 S 8/2001 Wang
D447,217 S 8/2001 Jacobs et al.
D447,539 S 9/2001 Tse
D447,790 S 9/2001 Heren et al.
D451,981 S 12/2001 Ericksen
D451,982 S 12/2001 Chao
D452,297 S * 12/2001 Chao D23/226
D453,371 S * 2/2002 Wang D23/226
D453,814 S * 2/2002 Wang D23/226
D454,619 S 3/2002 Wang
D461,227 S 8/2002 Guo
D464,707 S * 10/2002 Wang D23/226
D467,993 S 12/2002 Chen
D468,396 S 1/2003 Chen
D475,122 S 5/2003 Kuo
D475,435 S 6/2003 Chen
D475,762 S 6/2003 Kuo
D475,763 S 6/2003 Kuo
6,644,625 B1 11/2003 Jacobs et al.
D501,538 S * 2/2005 Zeng D23/226
D502,533 S 3/2005 Chen
D517,645 S 3/2006 Chang
D522,088 S 5/2006 Roman
7,124,965 B1 10/2006 Chen
D534,241 S 12/2006 Wang
D548,392 S 8/2007 Lo et al.
7,258,285 B1 8/2007 Combs et al.
D553,713 S 10/2007 Chih
D554,231 S 10/2007 Chih
D554,233 S 10/2007 Chih
D557,767 S 12/2007 Chih
D557,769 S 12/2007 Chih
D558,302 S 12/2007 Chih
D558,858 S 1/2008 Chih
D559,353 S 1/2008 Chih
D559,354 S 1/2008 Chih
D564,065 S 3/2008 Yu
D569,478 S 5/2008 Cichy et al.
D576,252 S * 9/2008 Lo D23/223
D584,380 S 1/2009 Cheng
D584,381 S 1/2009 Hung
D585,109 S 1/2009 Cheng
D599,433 S 9/2009 Zore
D599,884 S 9/2009 Zore
D604,389 S 11/2009 Cheng
D604,390 S 11/2009 Cheng
D604,395 S 11/2009 Zore
D605,251 S 12/2009 Zore
D606,625 S 12/2009 Zore
D606,626 S 12/2009 Zore
D614,729 S 4/2010 Cheng
D648,824 S * 11/2011 Hung D23/226
D650,044 S 12/2011 Nies et al.
D650,045 S 12/2011 Nies et al.
D677,362 S 3/2013 Christopher
D678,980 S 3/2013 Nies et al.
D681,777 S 5/2013 Nies et al.
8,496,190 B2 7/2013 Chen
D694,360 S 11/2013 Gaetano
D702,319 S 4/2014 Mammen
D704,801 S 5/2014 Chen
D705,898 S 5/2014 Chen
D714,423 S 9/2014 Mammen et al.
D714,908 S 10/2014 Mammen et al.

D726,872 S 4/2015 Thurgood et al.
9,073,075 B2 7/2015 Chen
D736,349 S 8/2015 Wojan
D736,350 S 8/2015 Cheng
D746,945 S 1/2016 Näslund
D746,946 S 1/2016 Näslund
D746,947 S 1/2016 Näslund
D748,758 S 2/2016 Duong et al.
D749,696 S 2/2016 Thurgood et al.
D760,349 S 6/2016 Chen
9,427,760 B2 8/2016 Chiu
D766,400 S 9/2016 Chen
D767,091 S 9/2016 Chen
D767,094 S 9/2016 Chen
D767,096 S 9/2016 Chen
D768,817 S 10/2016 Chen
D769,415 S 10/2016 Chen
D770,017 S 10/2016 Chen
D771,773 S 11/2016 Chen
D771,774 S 11/2016 Chen
D771,775 S 11/2016 Chen
D774,164 S 12/2016 Chen
D779,035 S 2/2017 Chen
D779,036 S 2/2017 Chen
D779,040 S 2/2017 Chen
D779,041 S 2/2017 Chen
D779,634 S 2/2017 Chen
D780,293 S 2/2017 Chen
D780,294 S 2/2017 Chen
D782,005 S 3/2017 Näslund et al.
D782,007 S 3/2017 Näslund et al.
D782,008 S 3/2017 Näslund et al.
D783,123 S 4/2017 Chen
D783,125 S 4/2017 Chen
D792,555 S 7/2017 Hung
D792,944 S 7/2017 Cheng
D792,945 S 7/2017 Cheng
D792,947 S 7/2017 Hung
9,707,573 B1 7/2017 Huang
9,770,731 B1 9/2017 Chen
D799,001 S 10/2017 Gooden
D799,002 S 10/2017 Gooden
D799,007 S 10/2017 Cheng
D800,254 S 10/2017 Chen
D800,255 S 10/2017 Chen
D802,092 S 11/2017 Näslund et al.
D819,783 S 6/2018 Urry
D820,953 S * 6/2018 Chen D23/223
D821,544 S 6/2018 Urry
D824,486 S 7/2018 Urry
D824,487 S 7/2018 Montoya et al.
D824,488 S 7/2018 Montoya et al.
D824,489 S 7/2018 Montoya et al.
D824,490 S 7/2018 Montoya et al.
D824,491 S 7/2018 Montoya et al.
D824,492 S * 7/2018 Chen D23/223
D825,716 S 8/2018 Helmsderfer et al.
D838,340 S 1/2019 Svendsen et al.
D838,341 S 1/2019 Svendsen et al.
D838,809 S 1/2019 Svendsen et al.
D839,384 S 1/2019 Svendsen et al.
D839,992 S 2/2019 Svendsen et al.
10,213,800 B2 2/2019 Chen
D846,072 S * 4/2019 Pease D23/223
D846,074 S 4/2019 Pease et al.
D846,695 S 4/2019 Pease et al.
D849,889 S 5/2019 Pease et al.
D851,209 S 6/2019 Cheng
D855,758 S * 8/2019 Chen D23/223
D875,212 S * 2/2020 Svendsen D23/226
D875,213 S * 2/2020 Svendsen D23/226
D876,581 S * 2/2020 Hsieh D23/223
10,610,879 B2 4/2020 Duong et al.
D892,271 S * 8/2020 Urry D23/223
D892,272 S 8/2020 Urry
D901,635 S * 11/2020 Chen D23/226
D914,137 S 3/2021 Chen
D917,666 S 4/2021 Urry
D921,840 S * 6/2021 Chen D23/226

(56)

References Cited

U.S. PATENT DOCUMENTS

D923,746	S	*	6/2021	Svendsen	D23/223
D923,750	S	*	6/2021	Zheng	D23/226
D925,002	S	*	7/2021	Lin	D23/226
D926,931	S	*	8/2021	Chen	D23/226
D927,644	S	*	8/2021	Svendsen	D23/223
D928,287	S	*	8/2021	Svendsen	D23/223
D928,288	S	*	8/2021	Svendsen	D23/223
D929,536	S	*	8/2021	Chen	D23/223
D931,413	S	*	9/2021	Chen	D23/226
D931,414	S	*	9/2021	Chen	D23/226
D946,118	S	*	3/2022	Chen	D23/226
D952,796	S	*	5/2022	Svendsen	D23/223
D962,390	S	*	8/2022	Svendsen	D23/223
2005/0237742	A1		10/2005	Wang		
2006/0249599	A1		11/2006	Guo		
2011/0180636	A1		7/2011	Cheng		
2011/0220738	A1		9/2011	Cheng		
2013/0015271	A1		1/2013	Chen		
2014/0054399	A1		2/2014	Hsieh		
2015/0343467	A1		12/2015	Chen		
2016/0263593	A1		9/2016	Keim		
2017/0204978	A1		7/2017	Huang		
2018/0161795	A1		6/2018	Su		

OTHER PUBLICATIONS

Karcher Premium Multi-Functional Spray Gun posted to amazon.com. Available date: Apr. 20, 2016 (site visited May 17, 2021) Available: (Year: 2016).

Orbit 8-Pattern Nozzle posted to www.lowes.com. Available date: Feb. 16, 2015 (site visited May 17, 2021) Available: (Year: 2015).

* cited by examiner

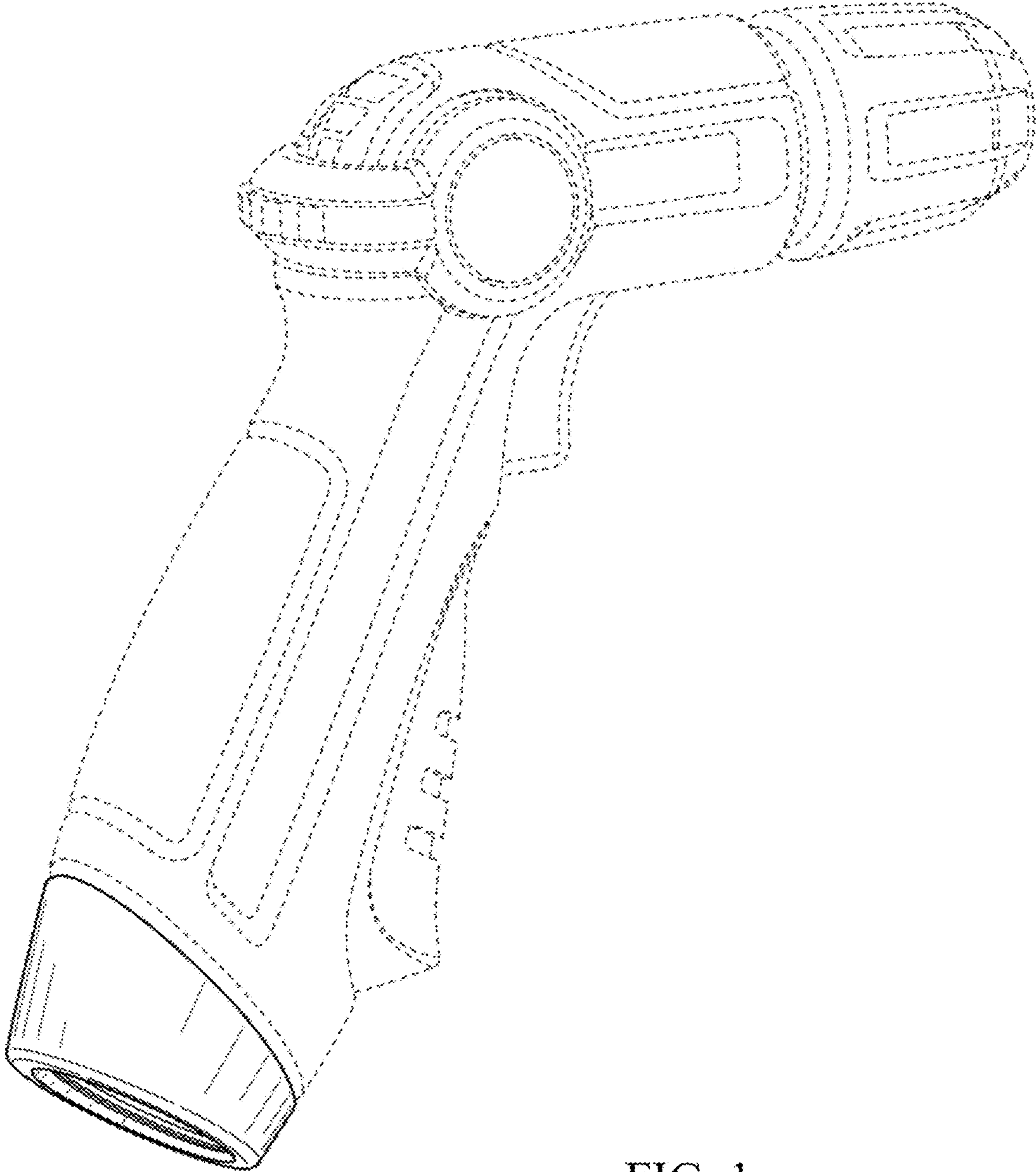


FIG. 1

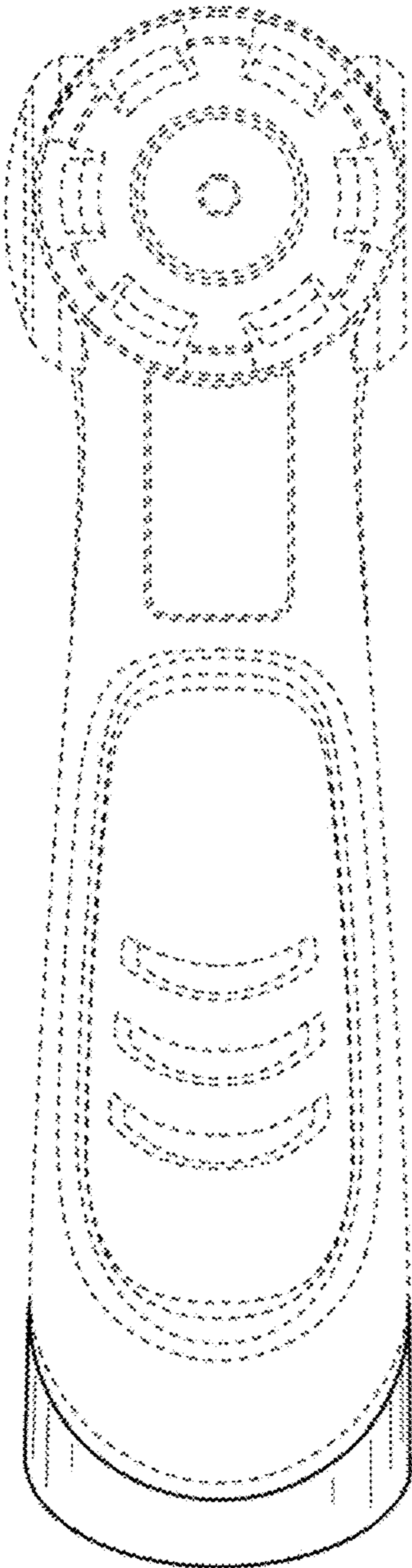


FIG. 2

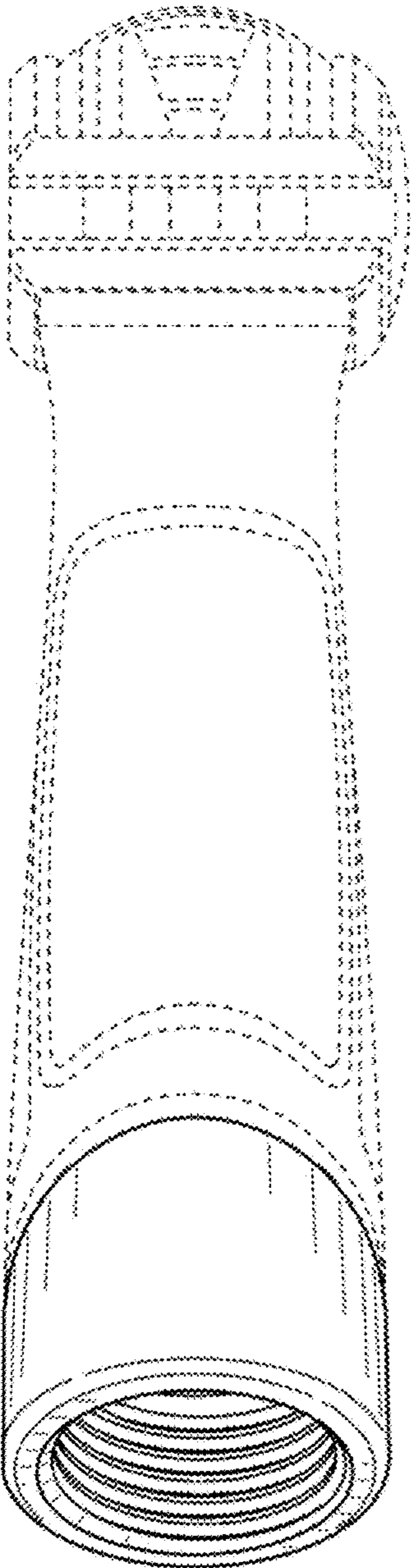


FIG. 3

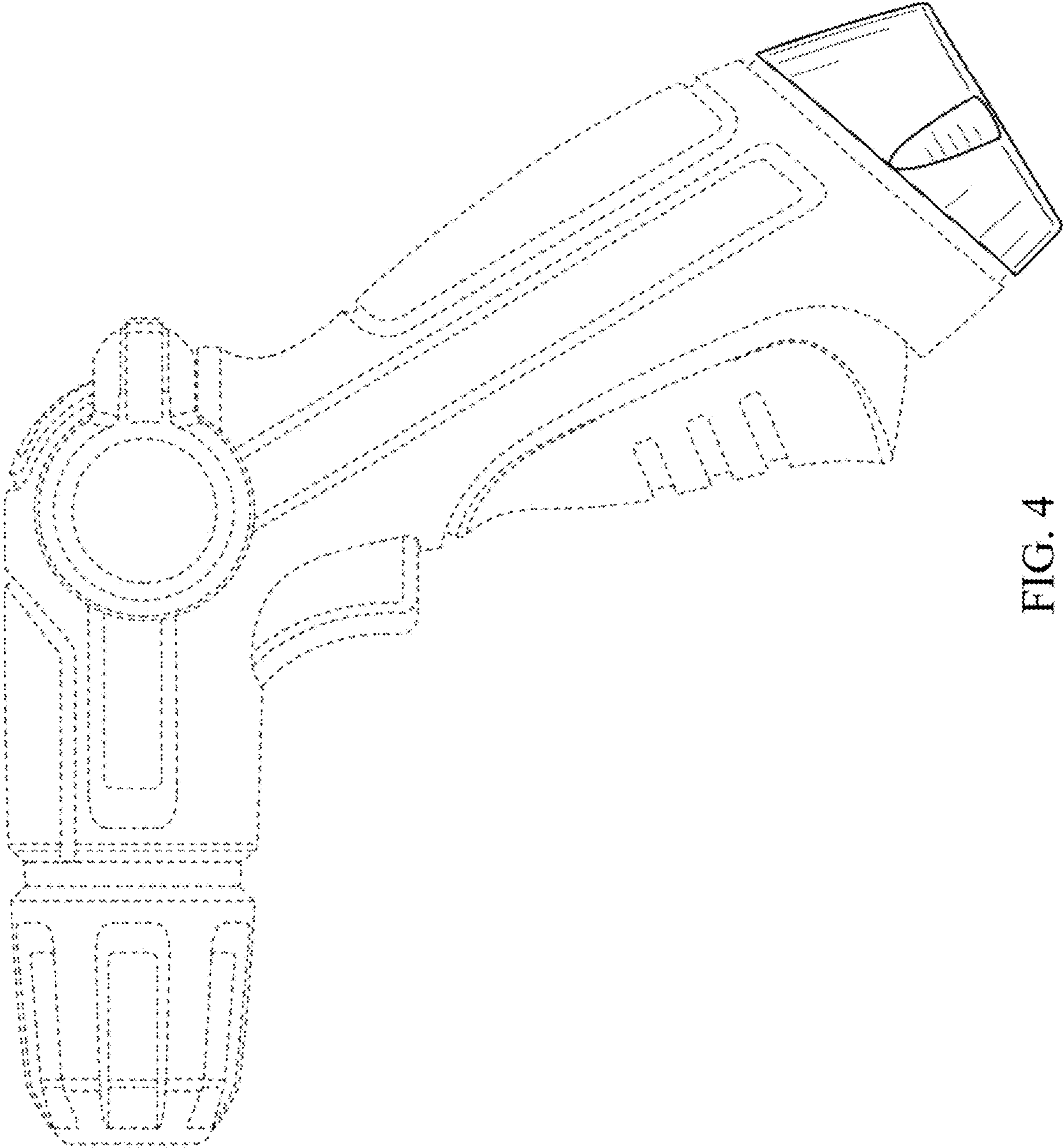


FIG. 4

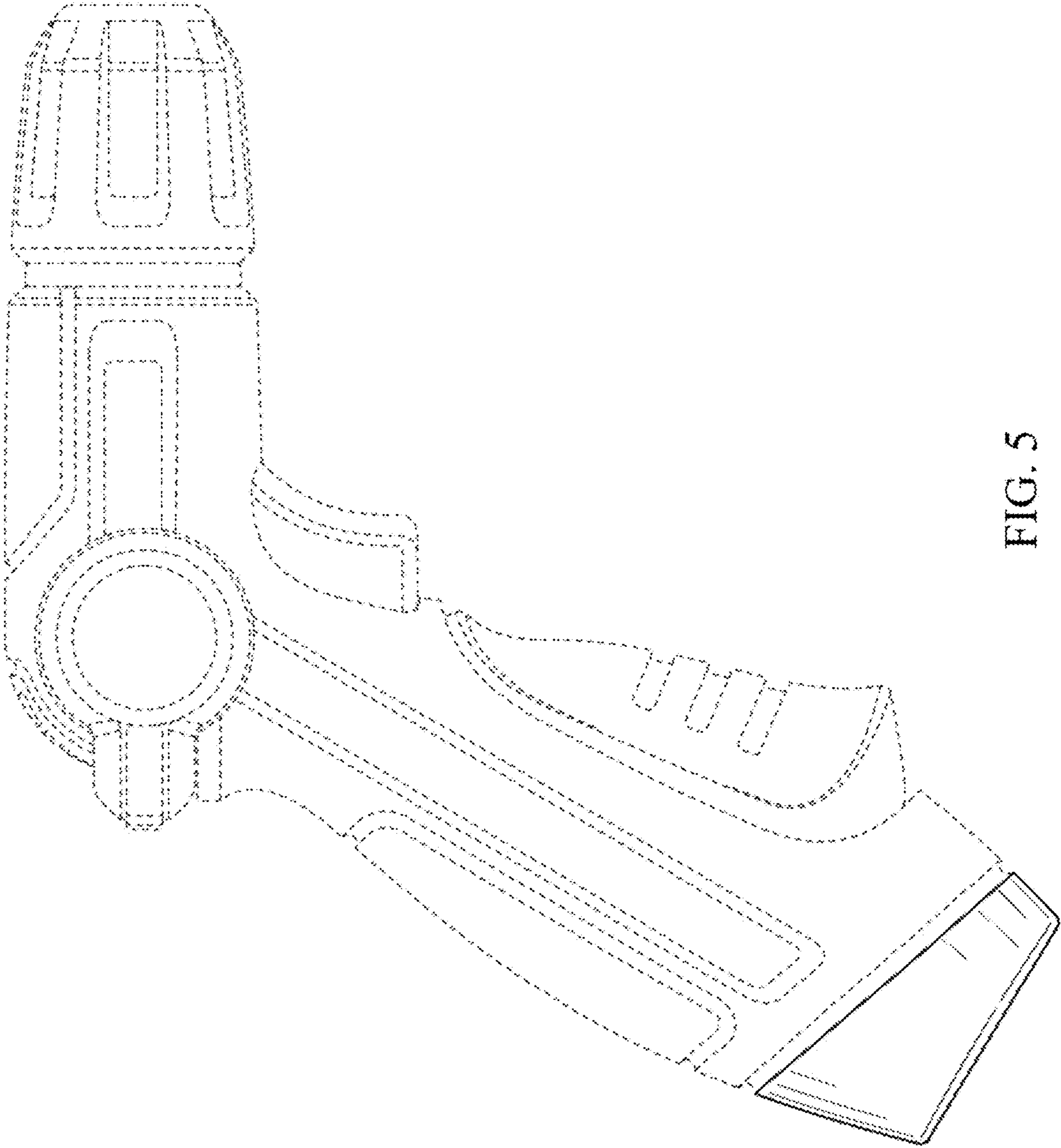


FIG. 5

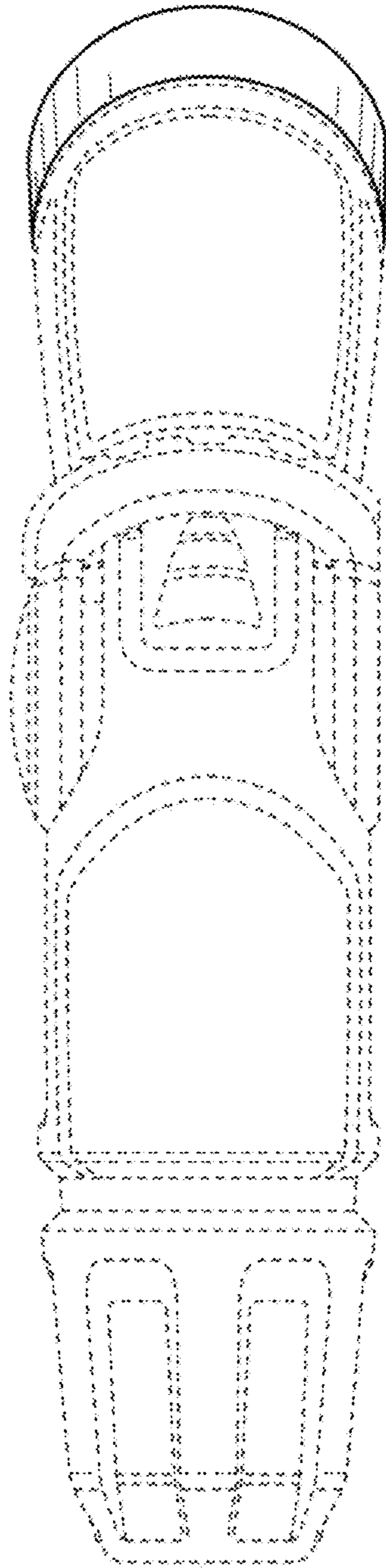


FIG. 6

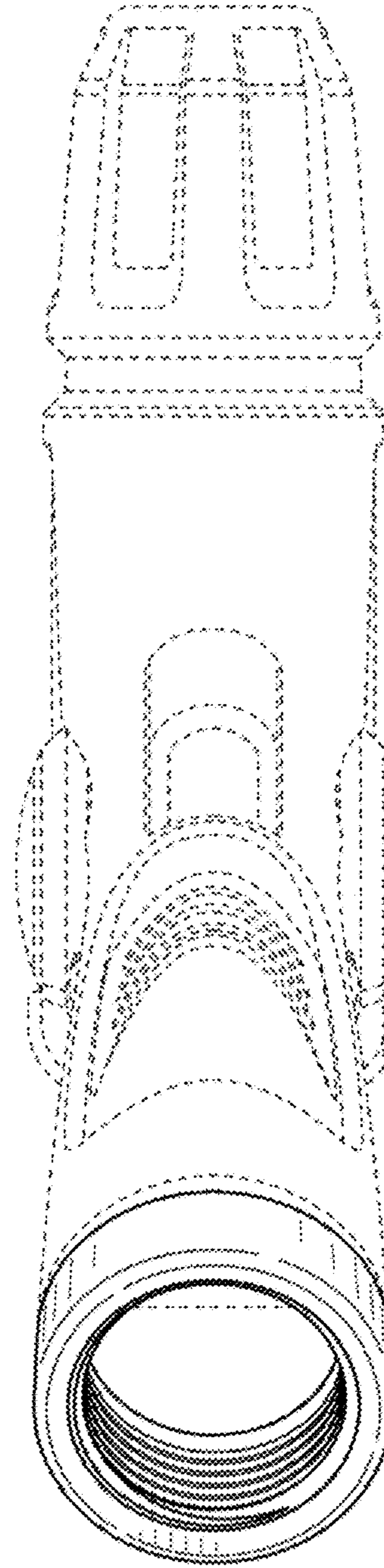


FIG. 7

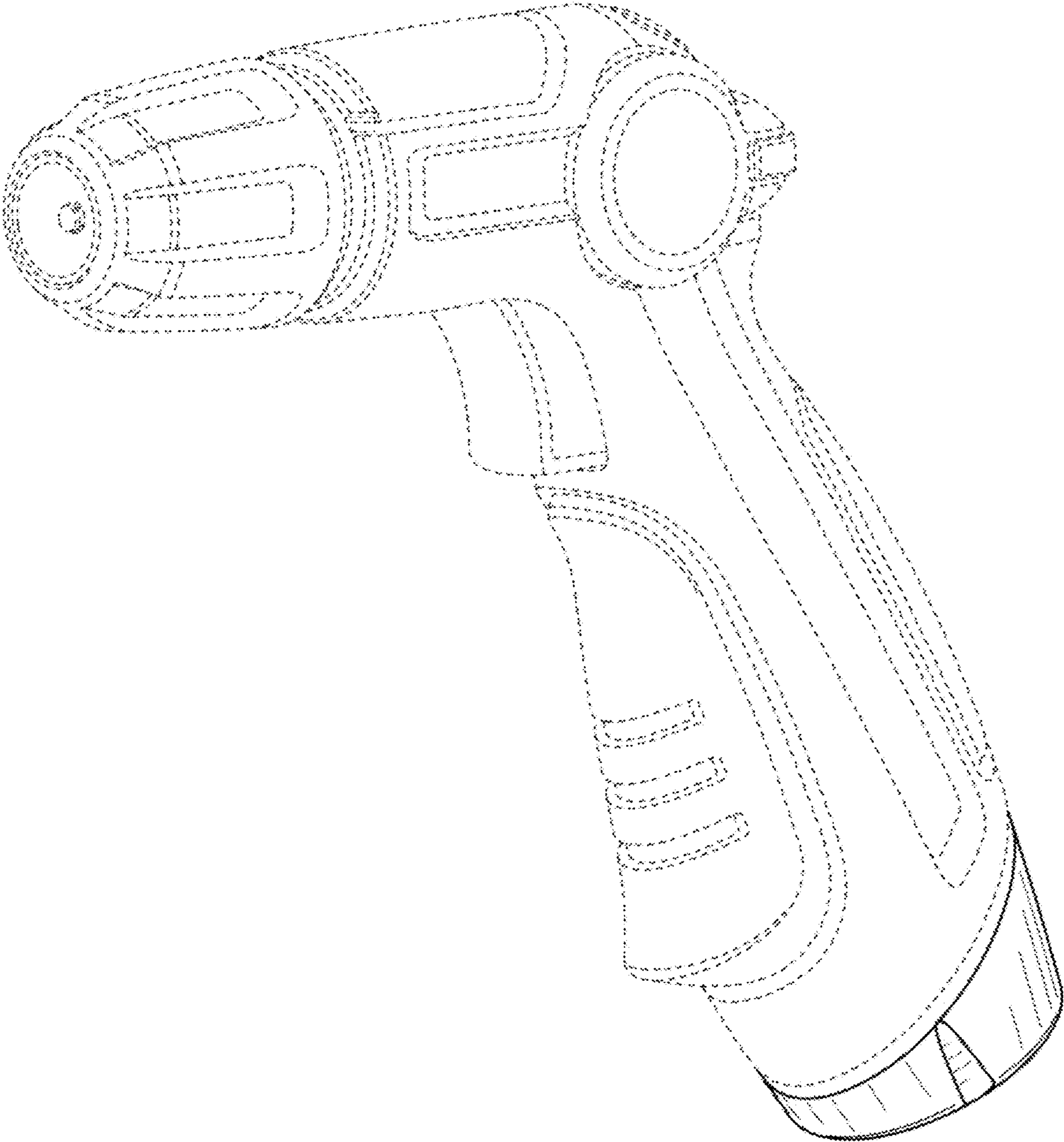


FIG. 8