



US0D1019739S

(12) **United States Design Patent** (10) **Patent No.:** **US D1,019,739 S**  
**Cheng et al.** (45) **Date of Patent:** **\*\* Mar. 26, 2024**

(54) **CAMERA**

(71) Applicants: **Chen-Hsien Cheng**, Taipei (TW);  
**Li-Fang Chen**, Taipei (TW);  
**Ruei-Hong Hong**, Taipei (TW);  
**Ting-Wei Wu**, Taipei (TW)

(72) Inventors: **Chen-Hsien Cheng**, Taipei (TW);  
**Li-Fang Chen**, Taipei (TW);  
**Ruei-Hong Hong**, Taipei (TW);  
**Ting-Wei Wu**, Taipei (TW)

(73) Assignee: **COMPAL ELECTRONICS, INC.**,  
Taipei (TW)

(\*\*) Term: **15 Years**

(21) Appl. No.: **29/733,989**

(22) Filed: **May 8, 2020**

(30) **Foreign Application Priority Data**

Apr. 9, 2020 (TW) ..... 109301889

(51) **LOC (14) Cl.** ..... **16-01**

(52) **U.S. Cl.**  
USPC ..... **D16/219**

(58) **Field of Classification Search**  
USPC .... D10/41, 54, 106.4, 106.6; D16/200, 201,  
D16/202, 214, 215, 219; D21/325, 329,  
D21/333, 448, 514, 578, 725, 566  
(Continued)

(56) **References Cited**

**U.S. PATENT DOCUMENTS**

D399,860 S \* 10/1998 Huang ..... D16/202  
D524,839 S \* 7/2006 Wen ..... D16/202  
(Continued)

**FOREIGN PATENT DOCUMENTS**

CN 304981207 \* 1/2019  
CN 306279665 \* 1/2021  
(Continued)

**OTHER PUBLICATIONS**

Amazon, Crisis HD Webcam, earliest date available unknown,  
[online],[site visited Jun. 21, 2021]. Available from Internet,  
<URL:https://www.amazon.com/dp/B08L3VZ14T/ref=cm\_sw\_em\_  
r\_mt\_dp\_DVW6SH73XJ504E644S52> (Year: 2022).\*

(Continued)

*Primary Examiner* — Michelle E. Wilson  
*Assistant Examiner* — Breana Copeland  
(74) *Attorney, Agent, or Firm* — JCIPRNET

(57) **CLAIM**

The ornamental design for a camera, as shown and described.

**DESCRIPTION**

FIG. 1 is a perspective view of a camera showing a first embodiment of our new design;  
FIG. 2 is another perspective view thereof;  
FIG. 3 is another perspective view thereof;  
FIG. 4 is another perspective view thereof;  
FIG. 5 is a front view thereof;  
FIG. 6 is a rear view thereof;  
FIG. 7 is a left side view thereof;  
FIG. 8 is a right side view thereof;  
FIG. 9 is a top view thereof;  
FIG. 10 is a bottom view thereof;  
FIG. 11 is a perspective view of a camera showing a second embodiment of our new design;  
FIG. 12 is another perspective view thereof;  
FIG. 13 is another perspective view thereof;  
FIG. 14 is another perspective view thereof;  
FIG. 15 is a front view thereof;  
FIG. 16 is a rear view thereof;  
FIG. 17 is a left side view thereof;  
FIG. 18 is a right side view thereof;  
FIG. 19 is a top view thereof;  
FIG. 20 is a bottom view thereof;  
FIG. 21 is a perspective view of a camera showing a third embodiment of our new design;  
FIG. 22 is another perspective view thereof;  
FIG. 23 is another perspective view thereof;

(Continued)

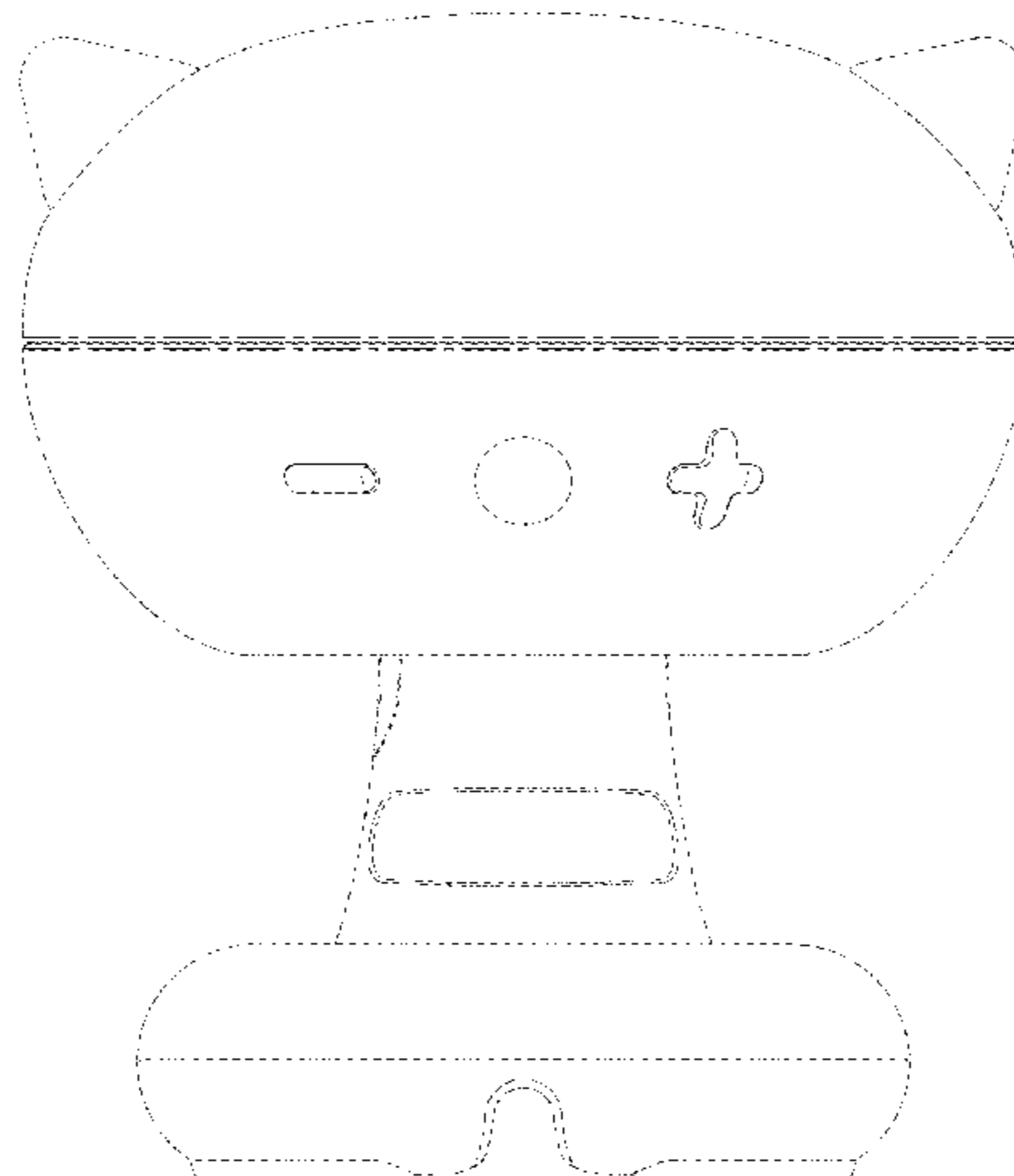


FIG. 24 is another perspective view thereof;  
 FIG. 25 is a front view thereof;  
 FIG. 26 is a rear view thereof;  
 FIG. 27 is a left side view thereof;  
 FIG. 28 is a right side view thereof;  
 FIG. 29 is a top view thereof; and,  
 FIG. 30 is a bottom view thereof.  
 The dashed broken lines illustrate portions of the camera that form no part of the claimed design. The dot-dash broken lines define the bounds of the claimed design and form no part thereof.

**1 Claim, 30 Drawing Sheets**

(58) **Field of Classification Search**

CPC ..... G03B 15/03; G03B 15/06; G03B 17/56;  
 G02B 7/02; G02B 7/021

See application file for complete search history.

(56) **References Cited**

U.S. PATENT DOCUMENTS

D545,858 S \* 7/2007 Li ..... D16/202  
 D576,653 S \* 9/2008 Malthouse ..... D16/208  
 D852,257 S \* 6/2019 Sakai ..... D16/219  
 D872,159 S \* 1/2020 Hsieh ..... D16/203

D892,191 S \* 8/2020 Ji ..... D16/202  
 D955,461 S \* 6/2022 Miyagawa ..... D16/218  
 2021/0141289 A1\* 5/2021 Cheng ..... G03B 17/02

FOREIGN PATENT DOCUMENTS

CN 306818253 \* 9/2021  
 TW D198073 6/2019  
 TW 109301887 \* 8/2021

OTHER PUBLICATIONS

Paw Roll, Cute Cat Security Pet Camera, earliest date available Jan. 17, 2021, [online].[site visited Jun. 21, 2021]. Available from Internet, <URL:https://web.archive.org/web/20210117001239/https://pawroll.com/products/1080p-kitty-style-wireless-camera-for-pets> (Year: 2021).\*

Walmart, Wireless WiFi Video Baby Monitor, earliest date available Jan. 14, 2019, [online].[site visited Jun. 21, 2021]. Available from Internet, <URL:https://www.walmart.com/ip/Wireless-WiFi-Video-Baby-Monitor-Two-Way-Audio-Home-Security-Camera-HD-720P-Night-Vision-Cam/585419517> (Year: 2019).\*

Google Image Search, [online].[site visited Jun. 21, 2022]: https://www.google.com/search?q=web+camera+for+kids&tbm=isch&ved=2ahUKEwjkspjyMT4AhVpM1kFHbJKAKUQ2-cCegQIABAA&oq=web+ca%E2%80%A6 (Year: 2022).\*

“Office Action of Taiwan Counterpart Application”, dated Nov. 27, 2020, p. 1-p. 3.

\* cited by examiner

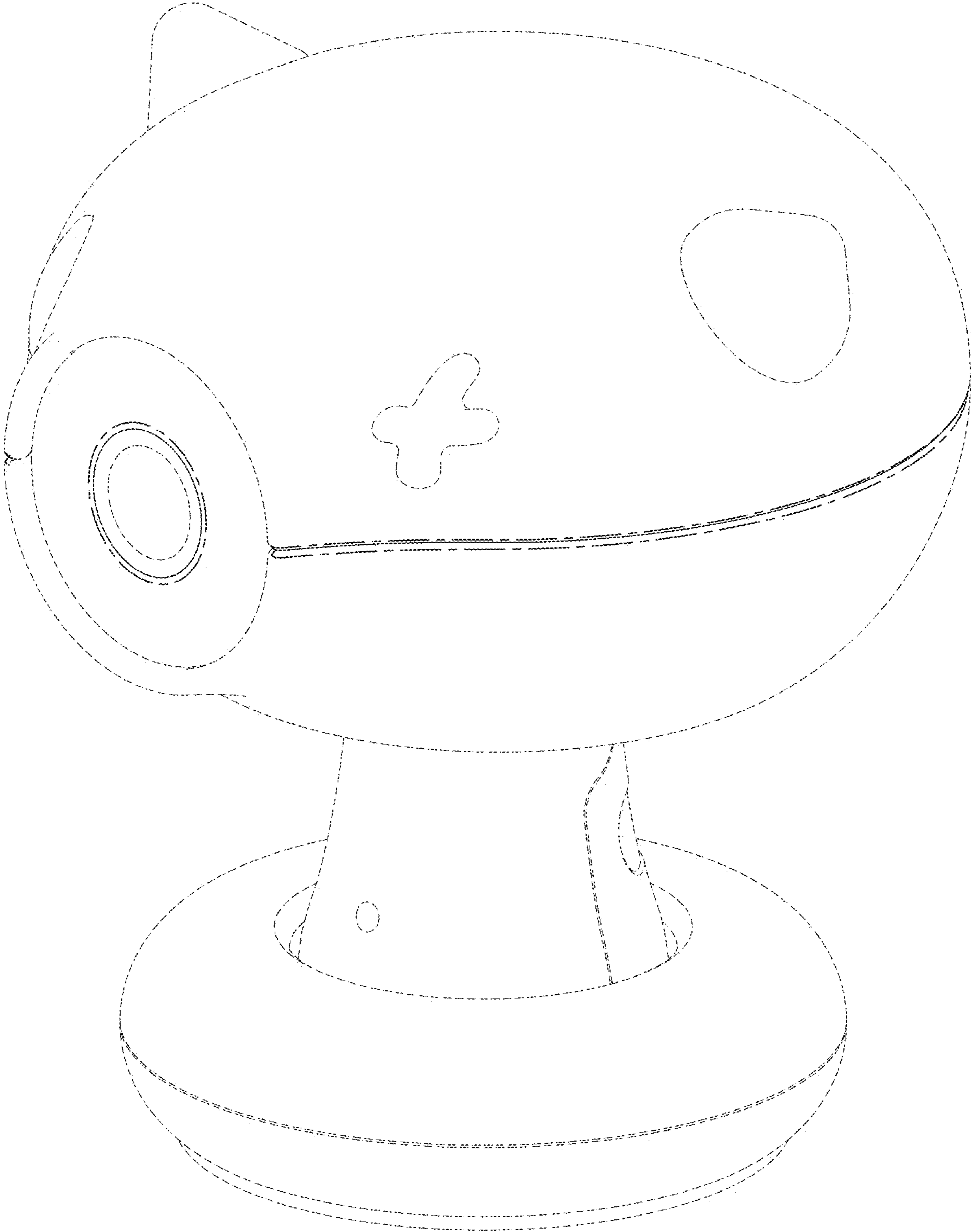


FIG. 1

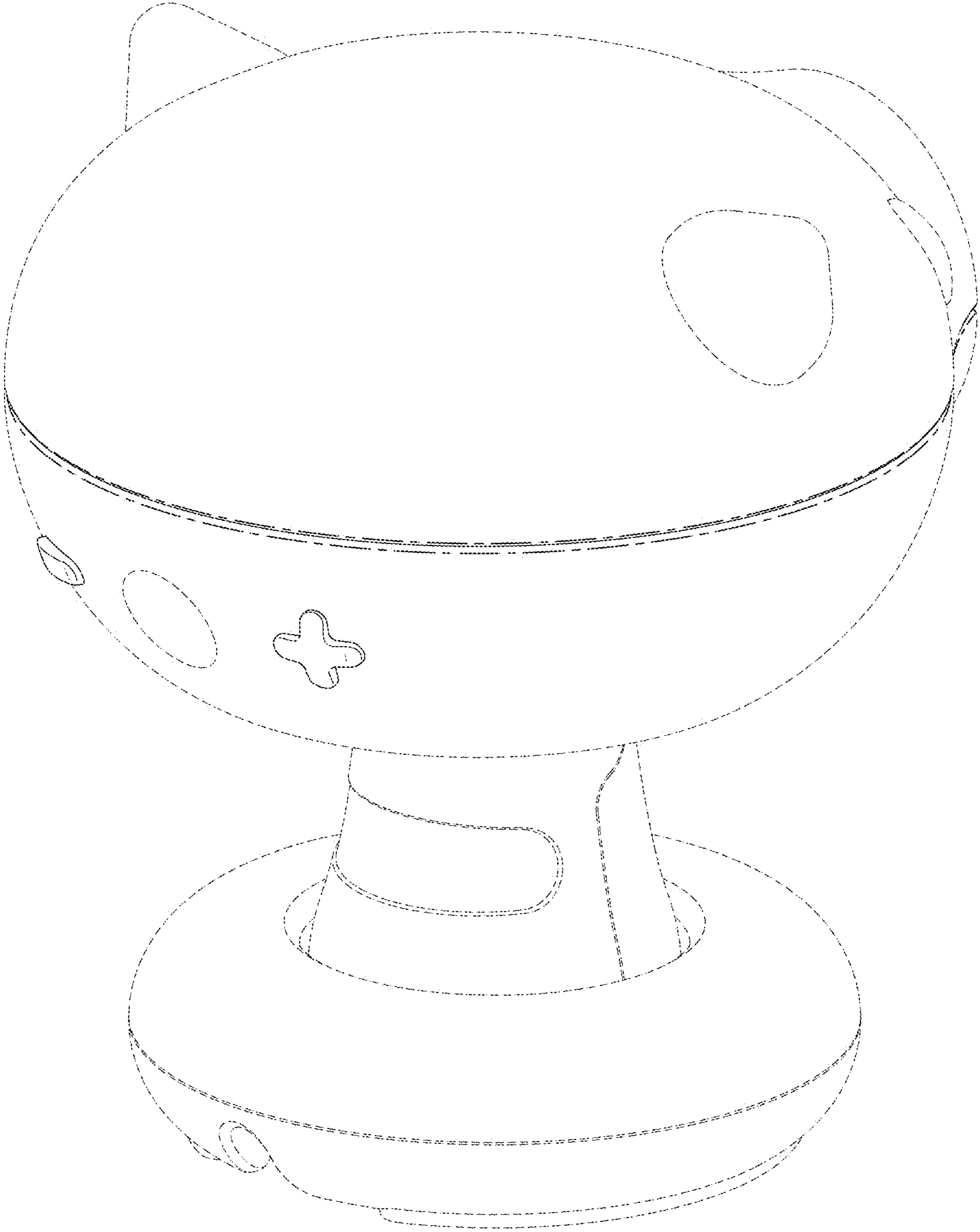


FIG. 2

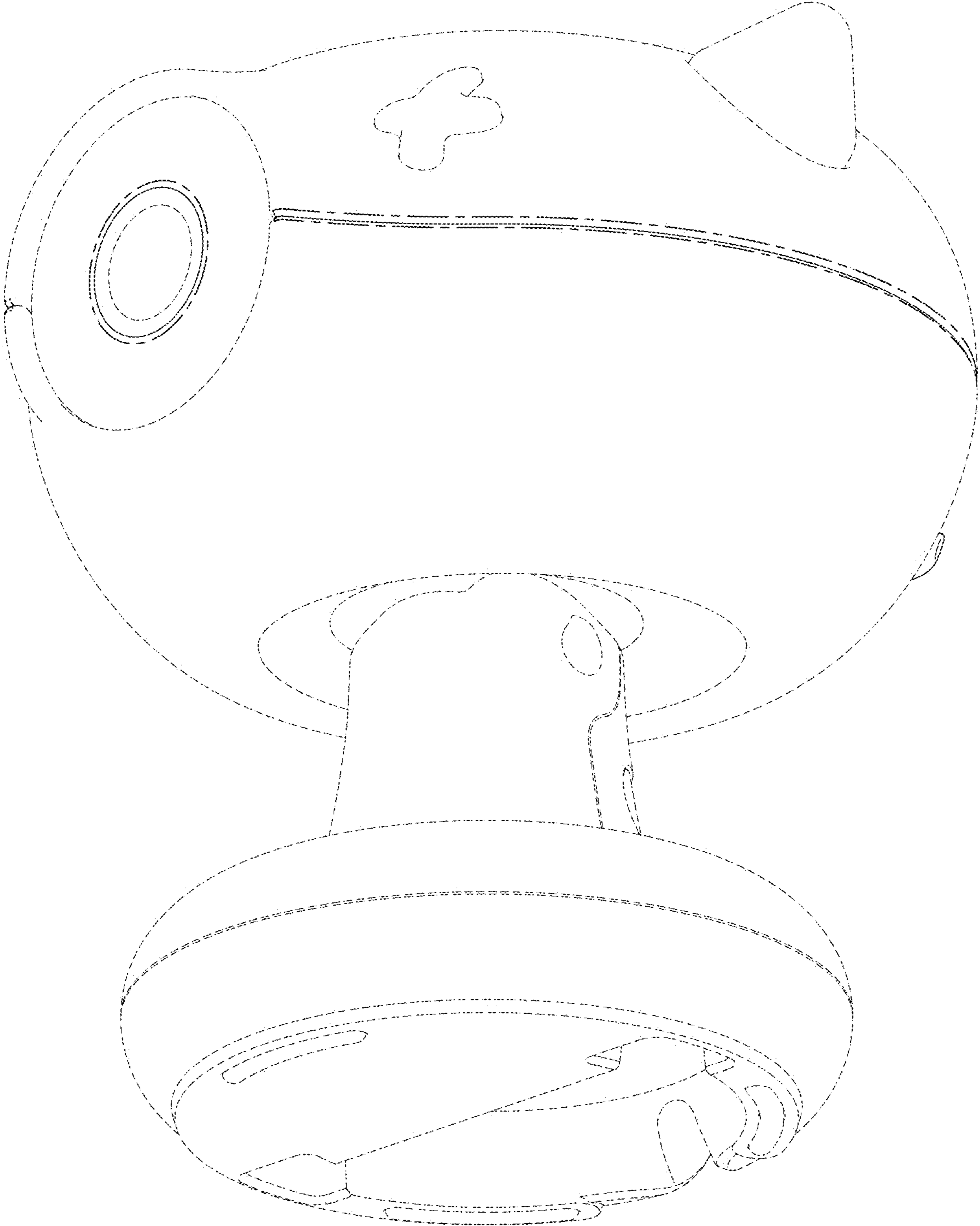


FIG. 3

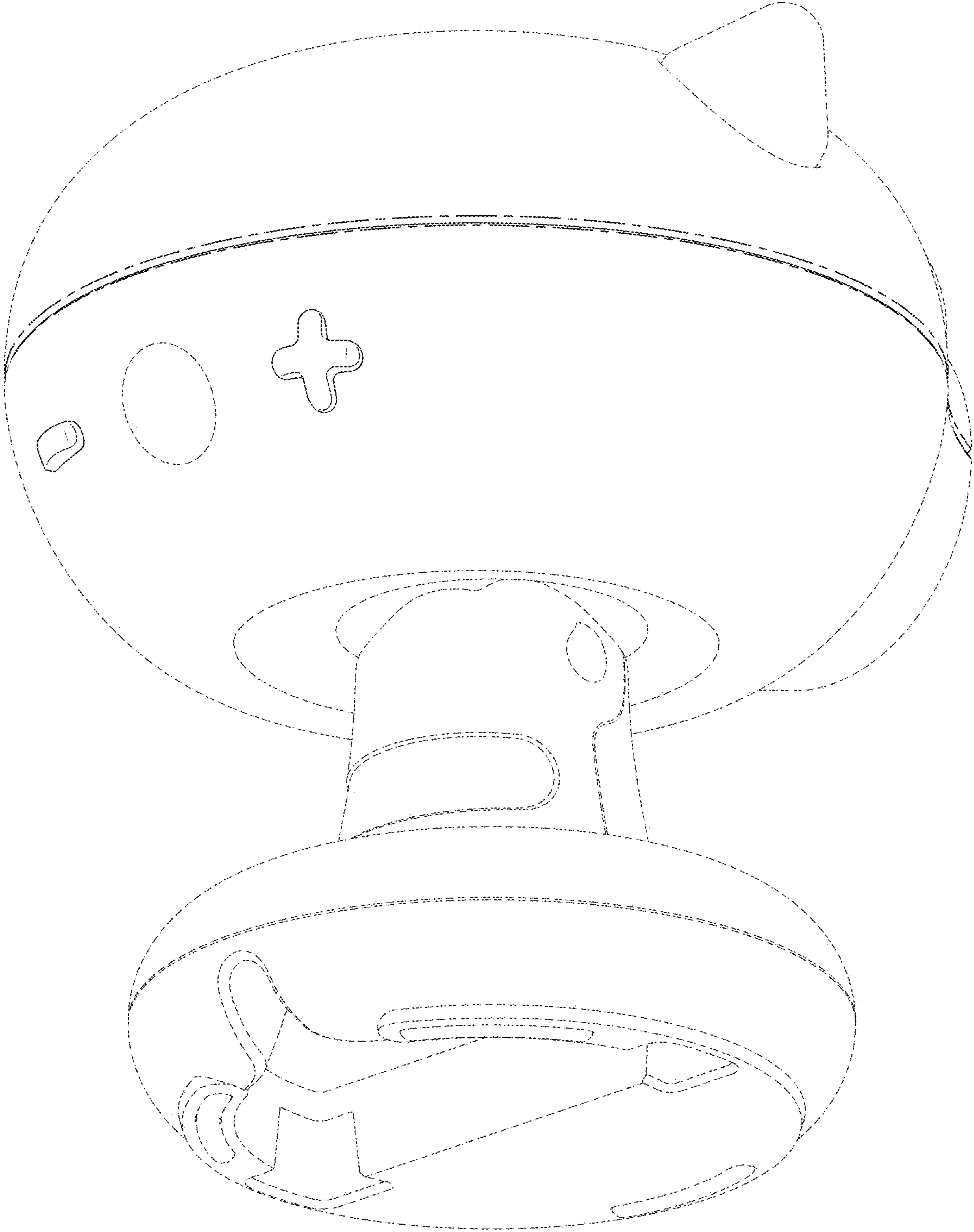


FIG. 4

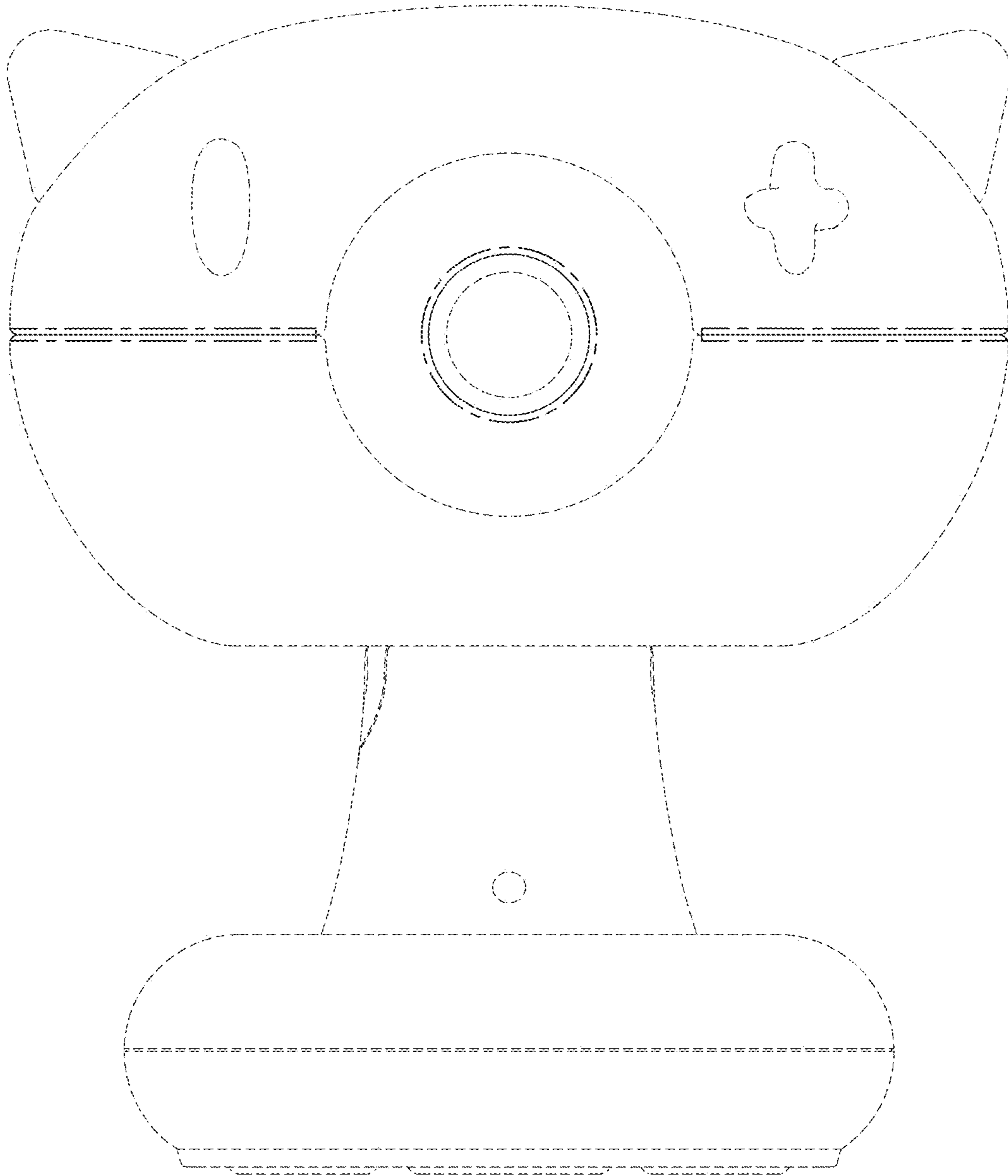


FIG. 5

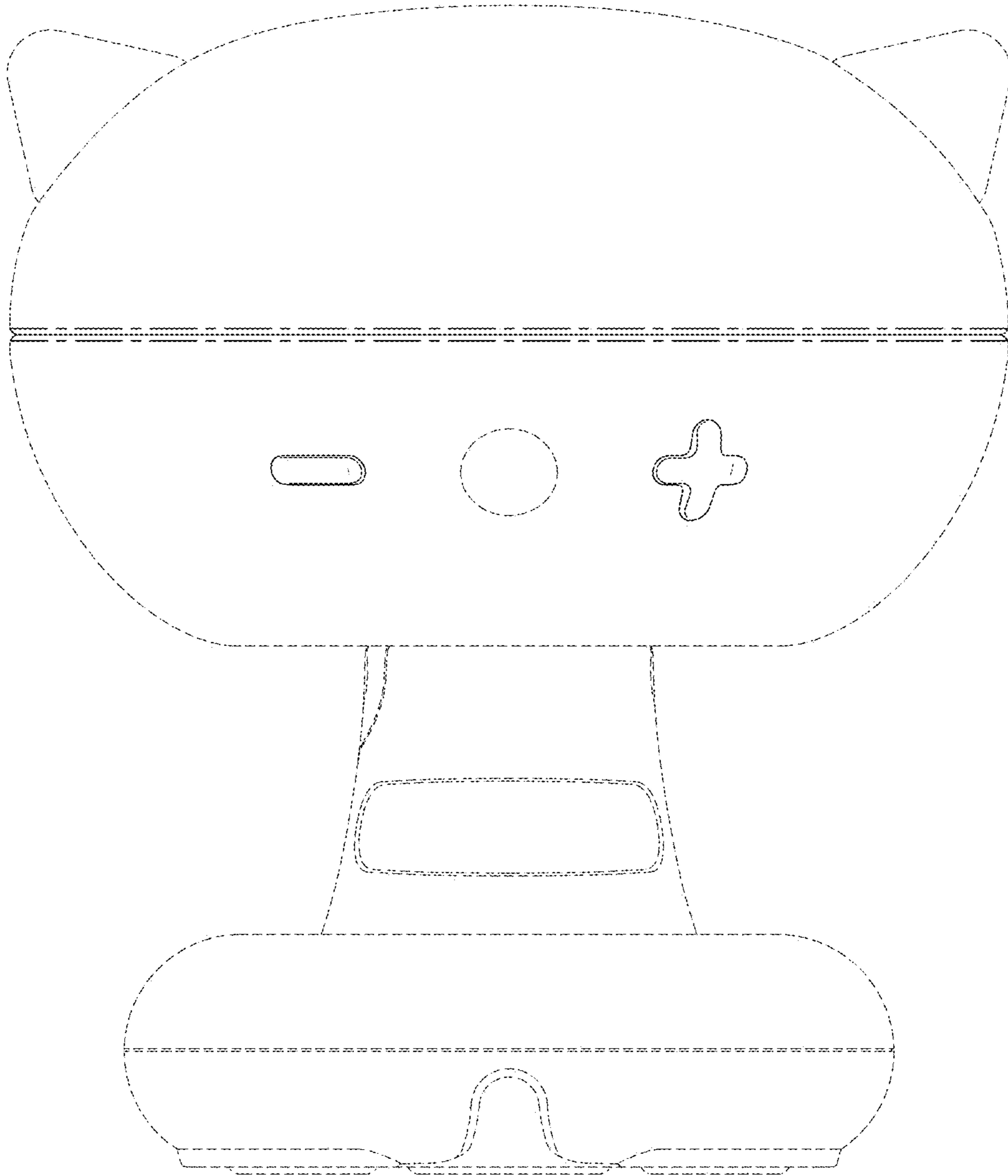


FIG. 6



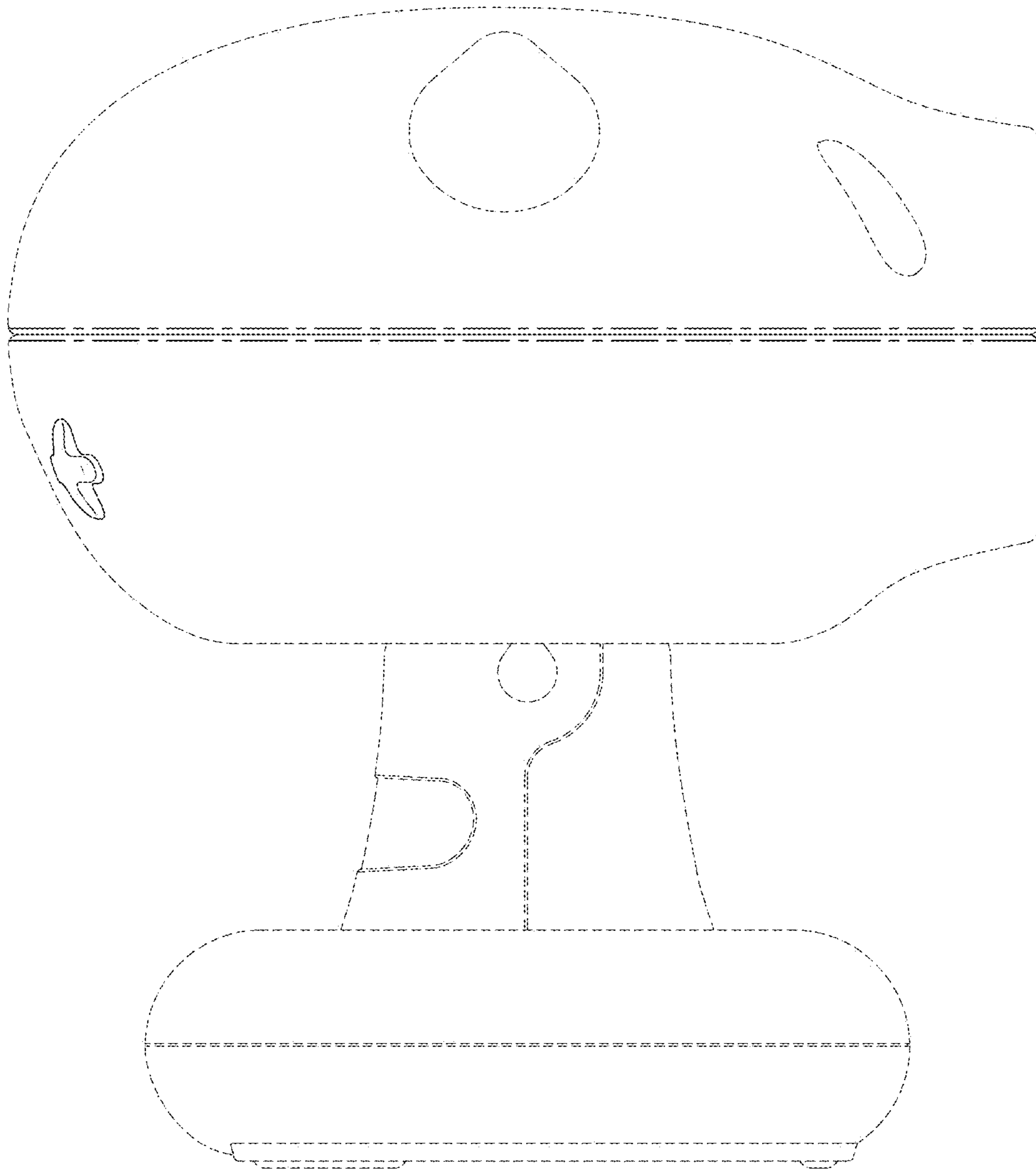


FIG. 7

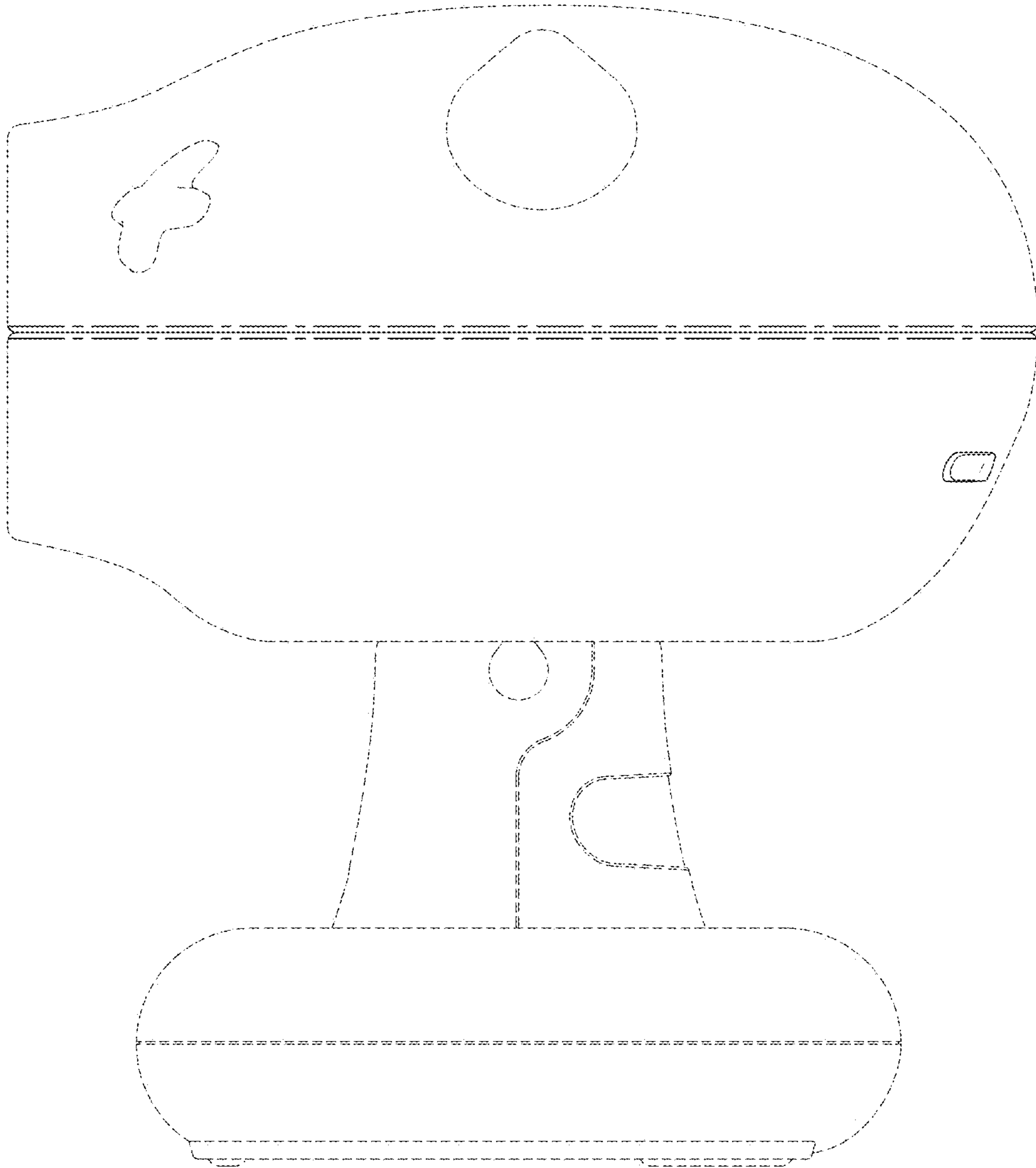


FIG. 8

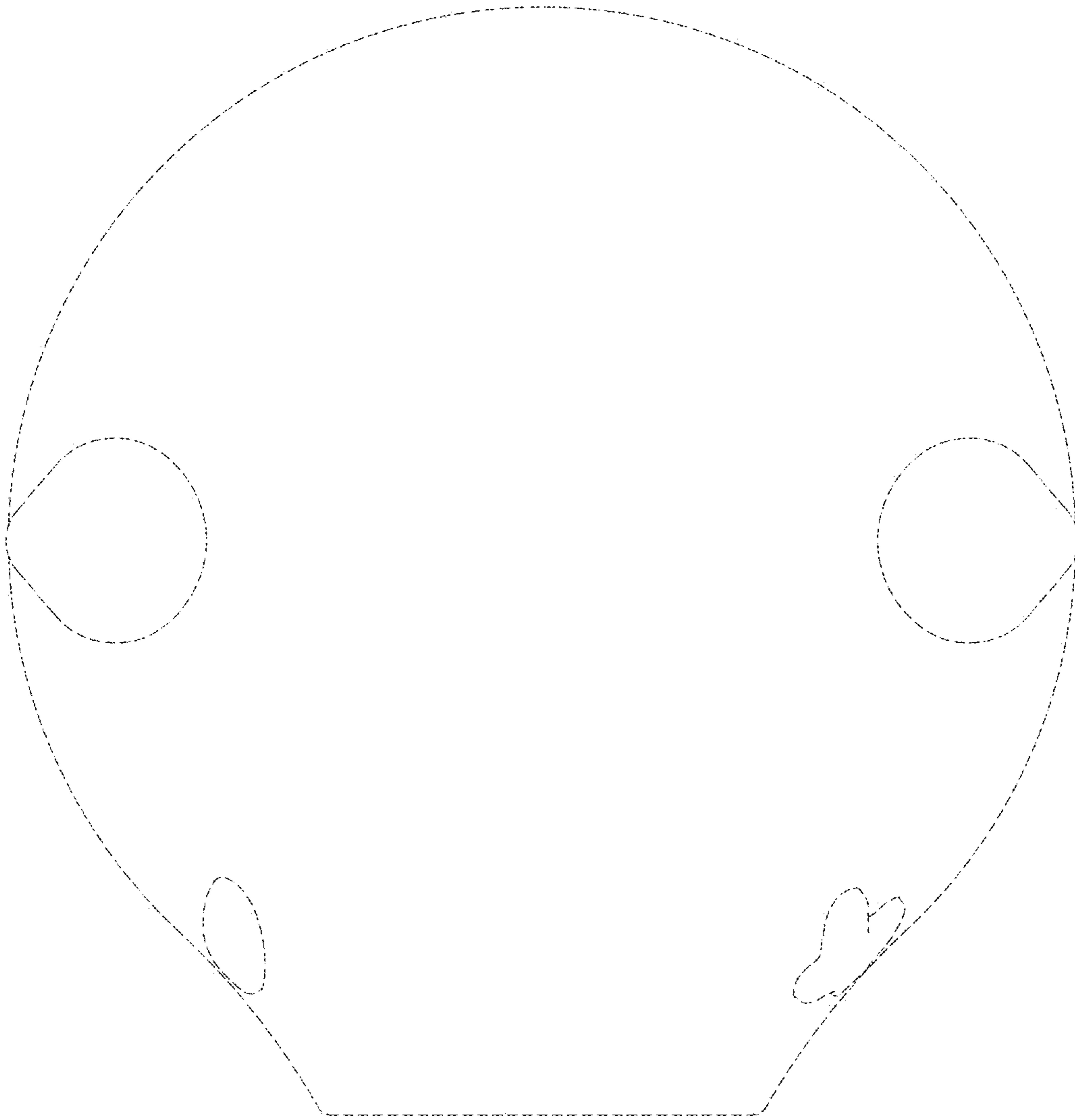


FIG. 9

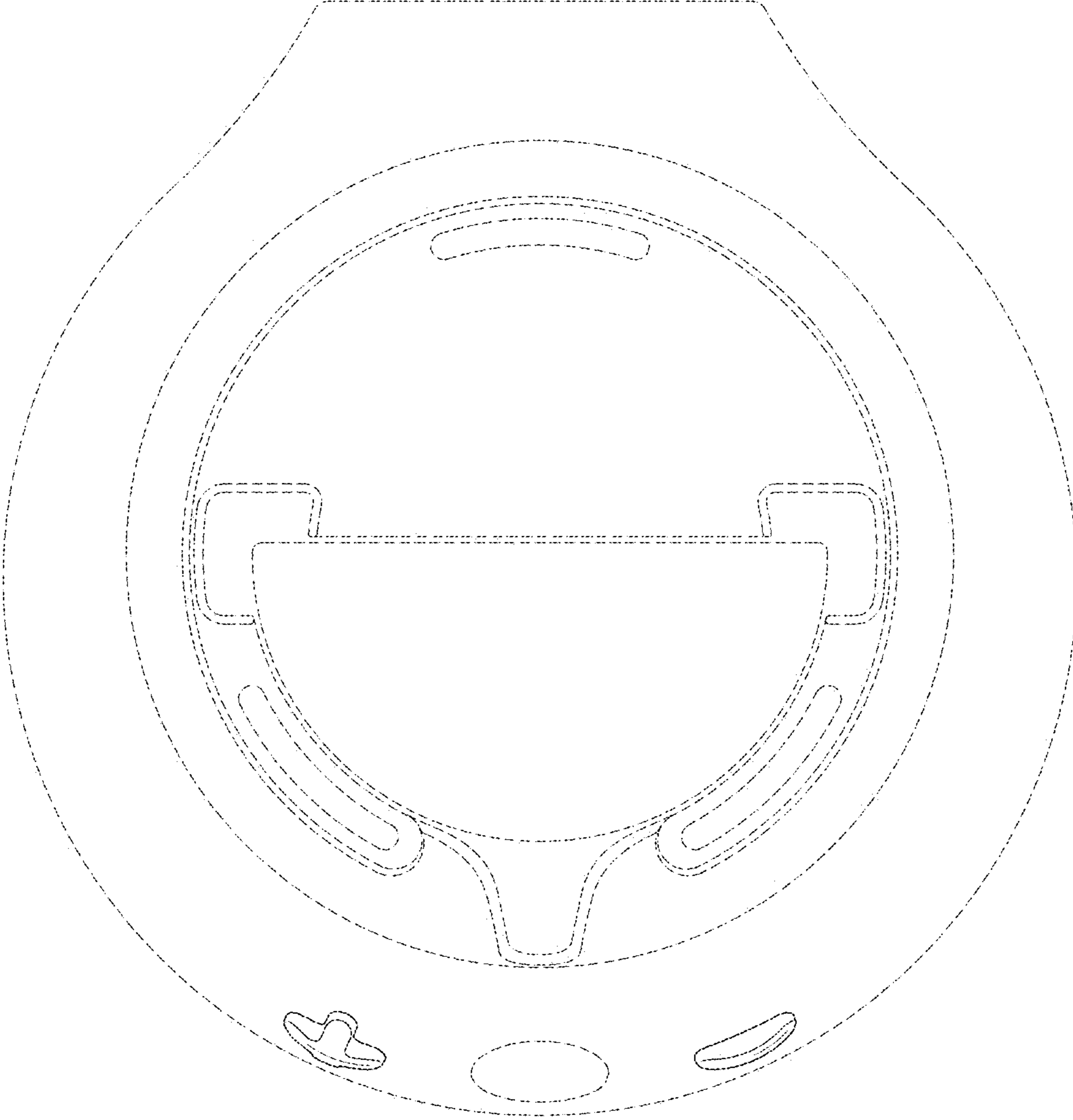


FIG. 10

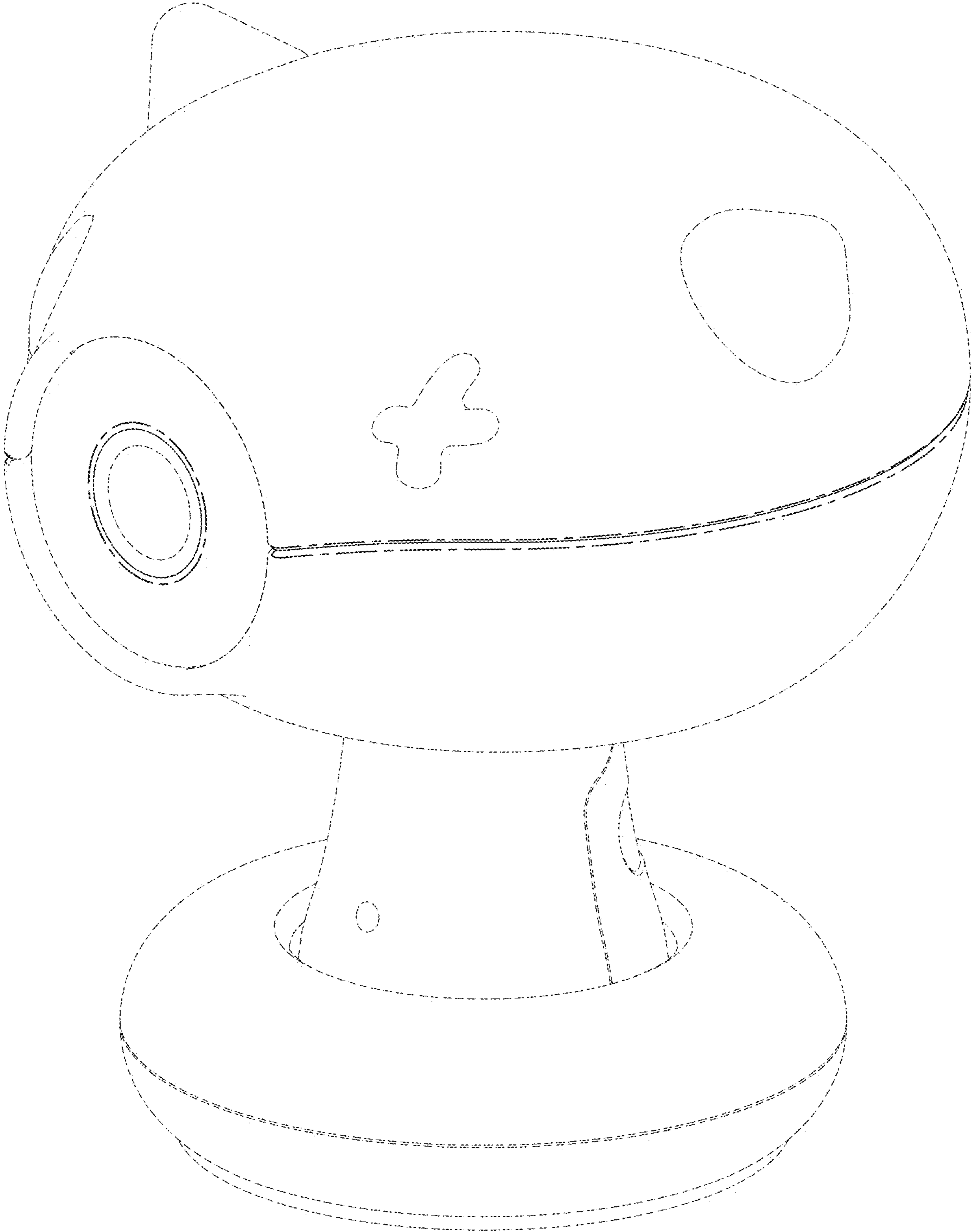


FIG. 11

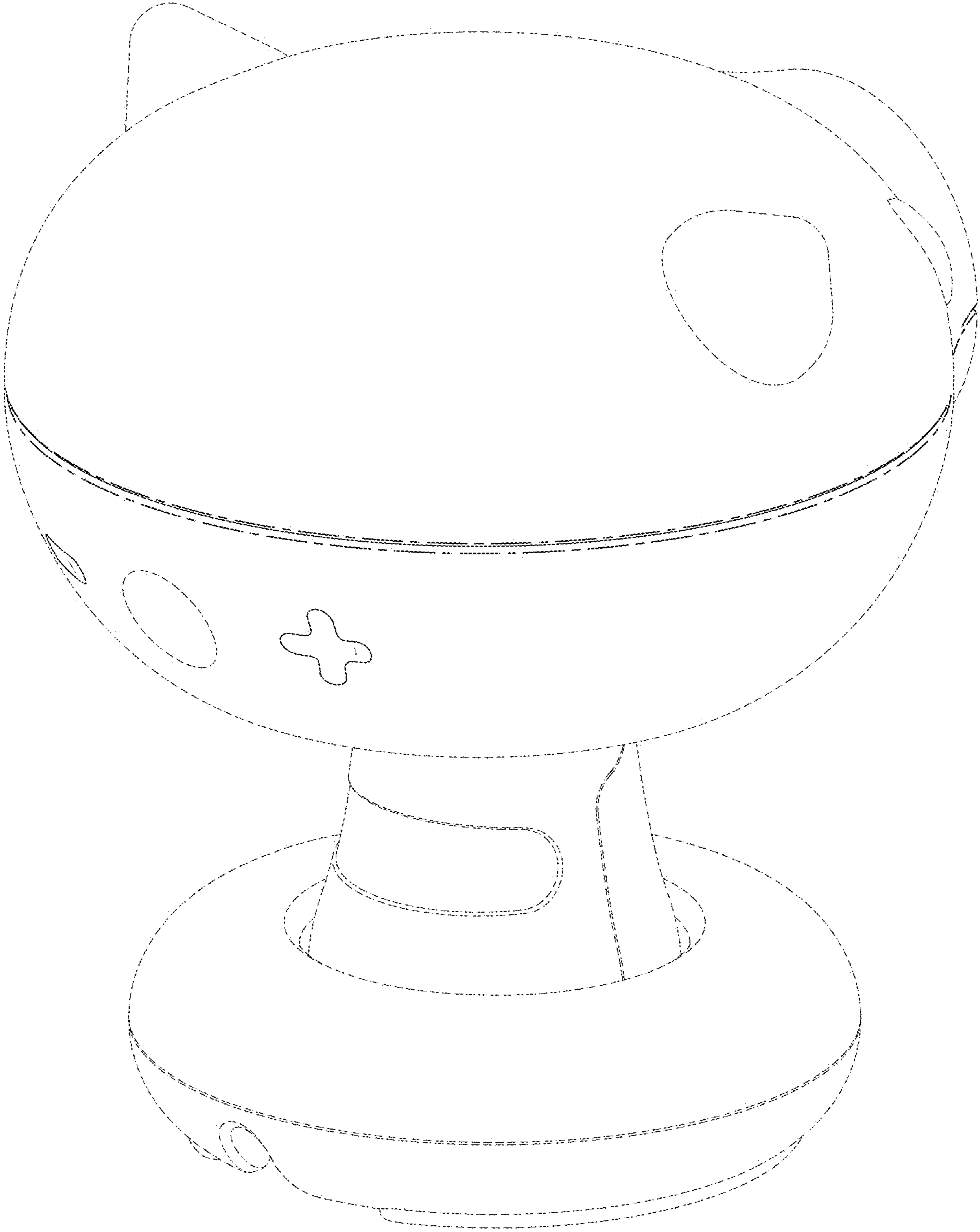


FIG. 12

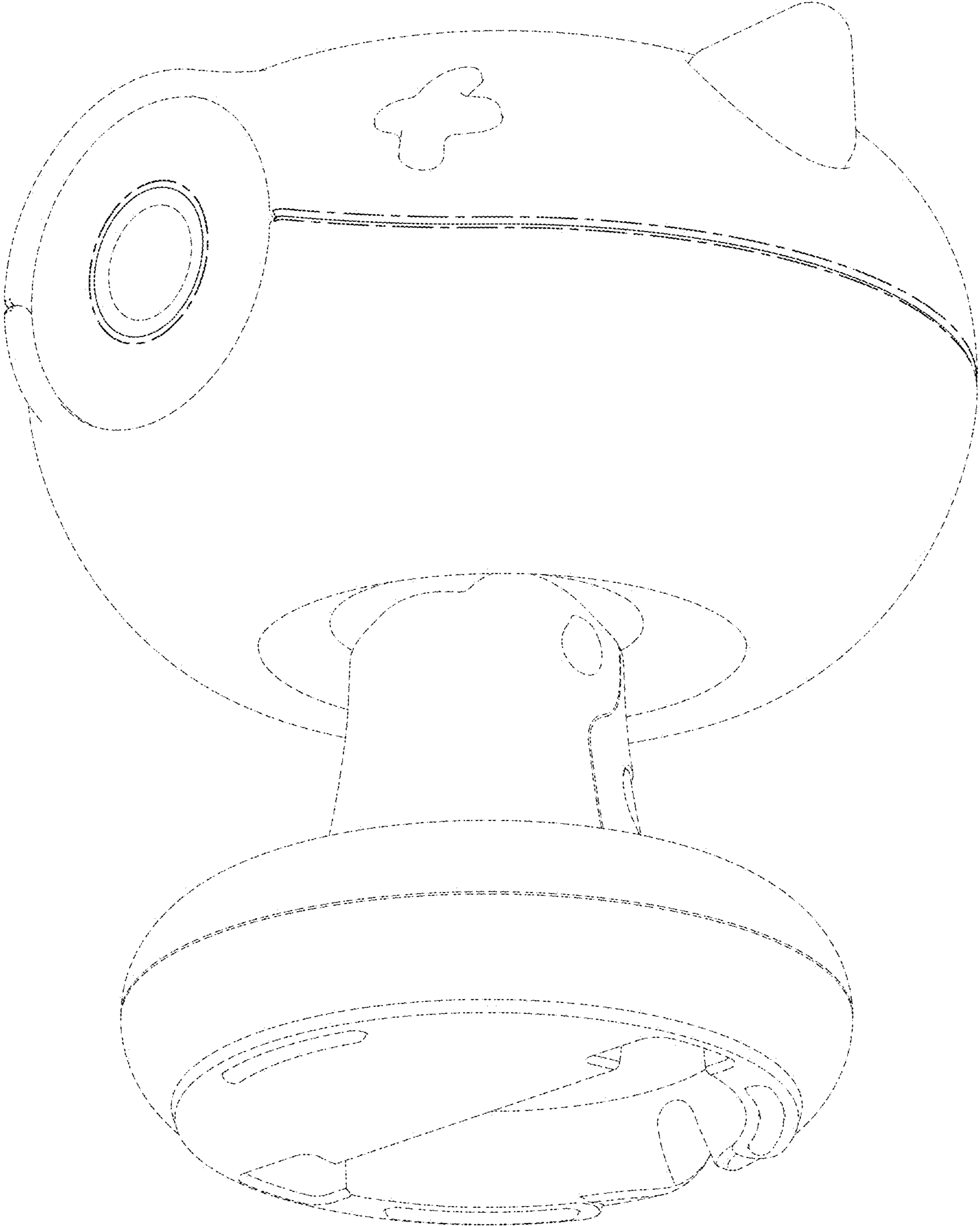


FIG. 13

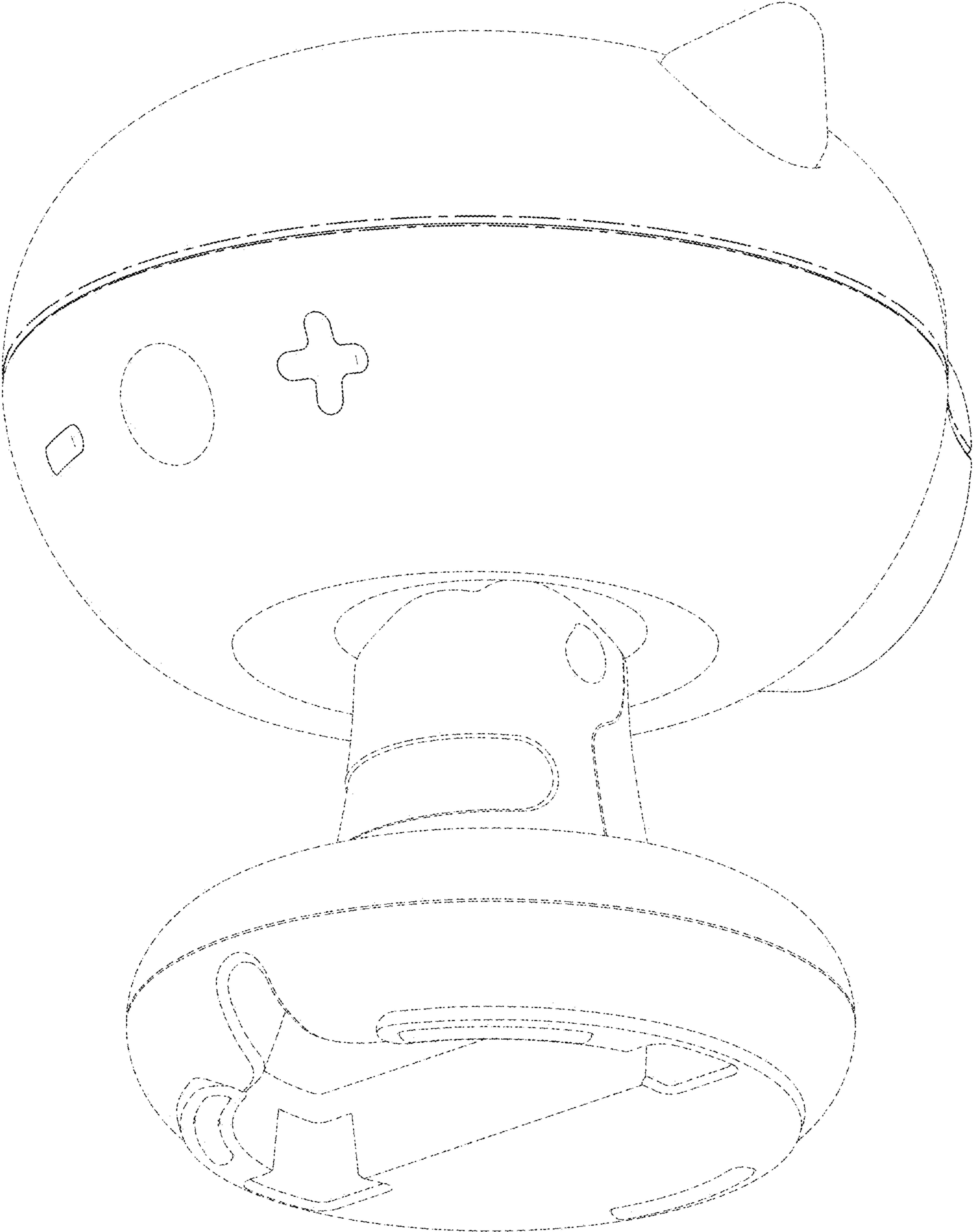


FIG. 14



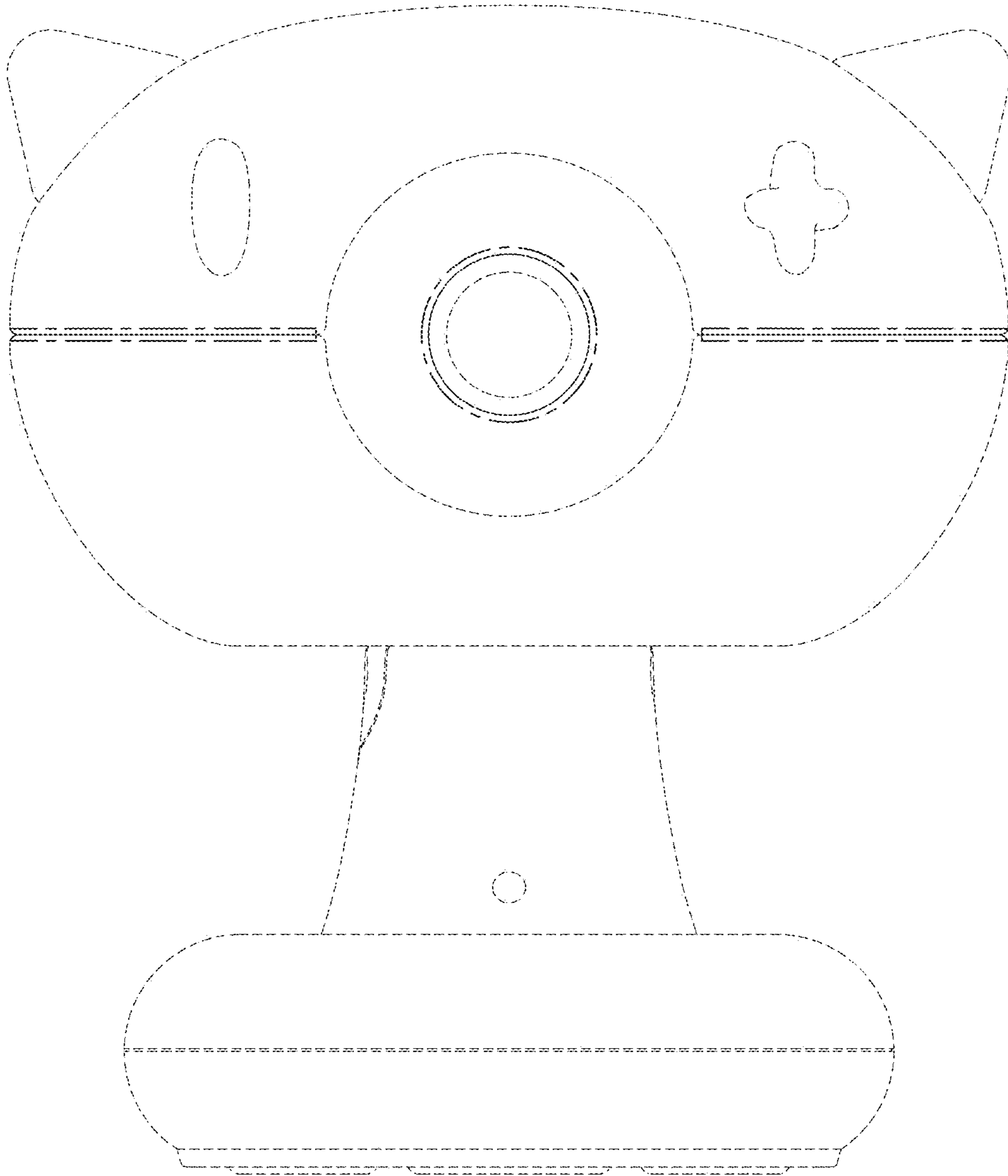


FIG. 15

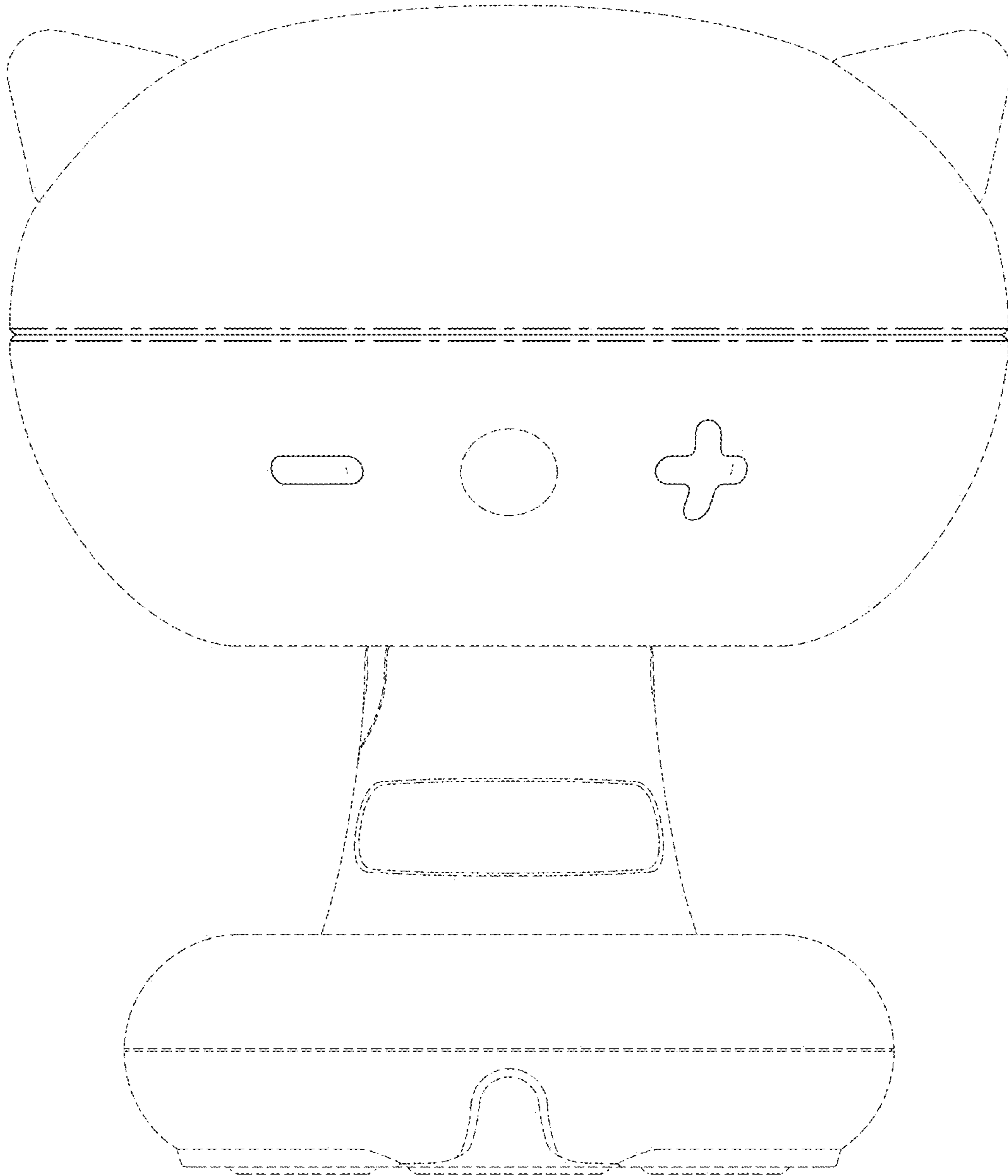


FIG. 16

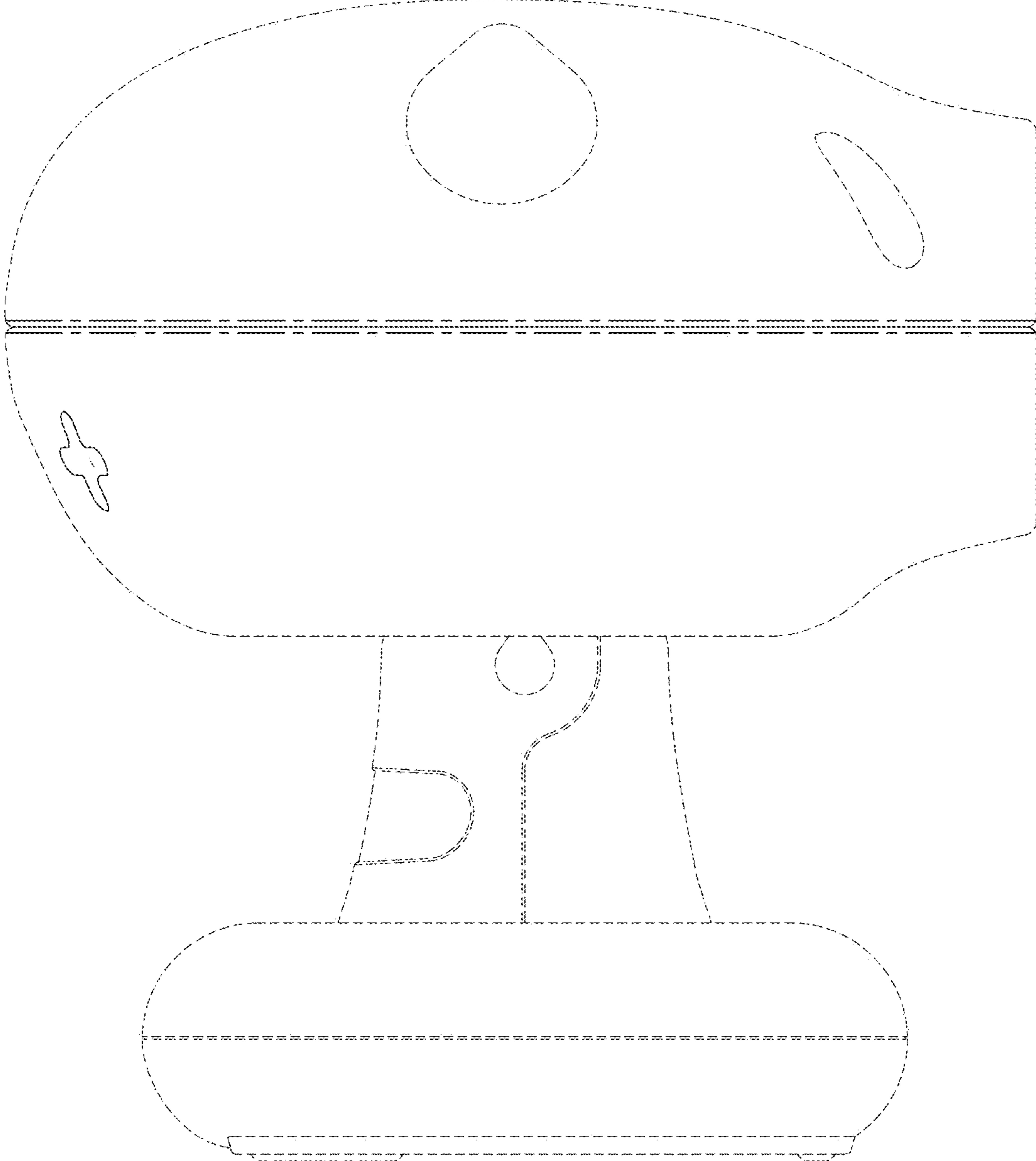


FIG. 17

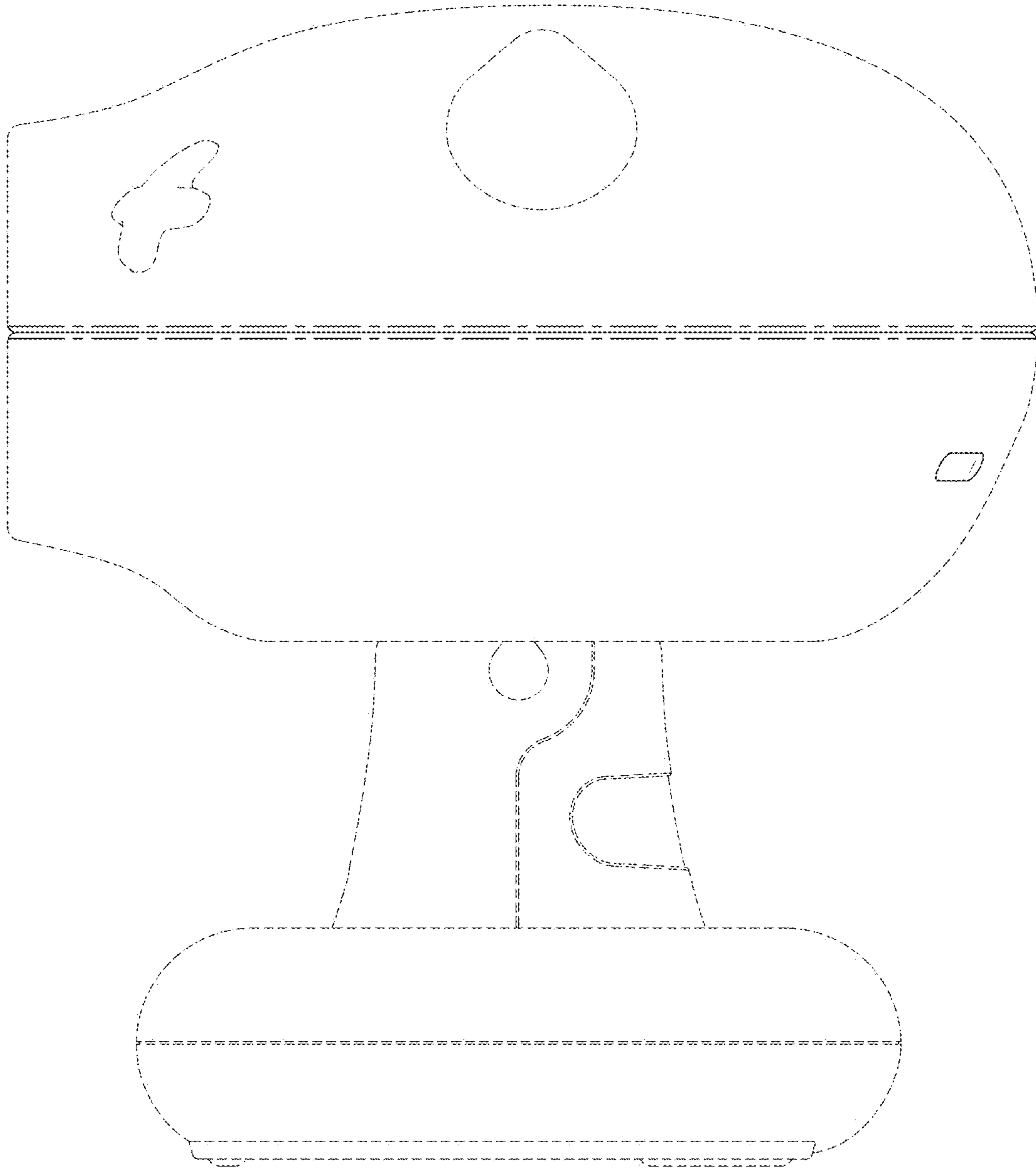


FIG. 18

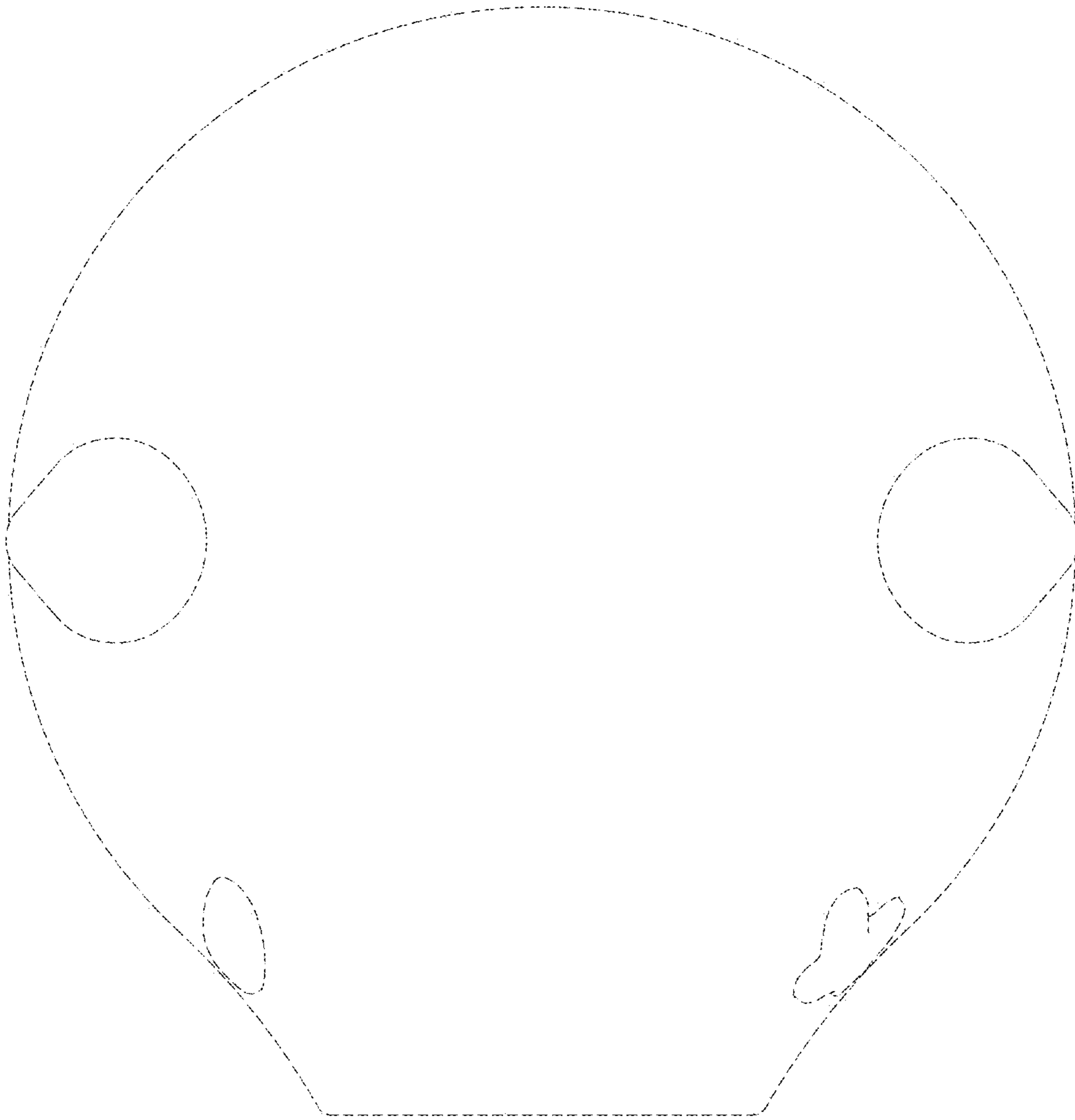


FIG. 19

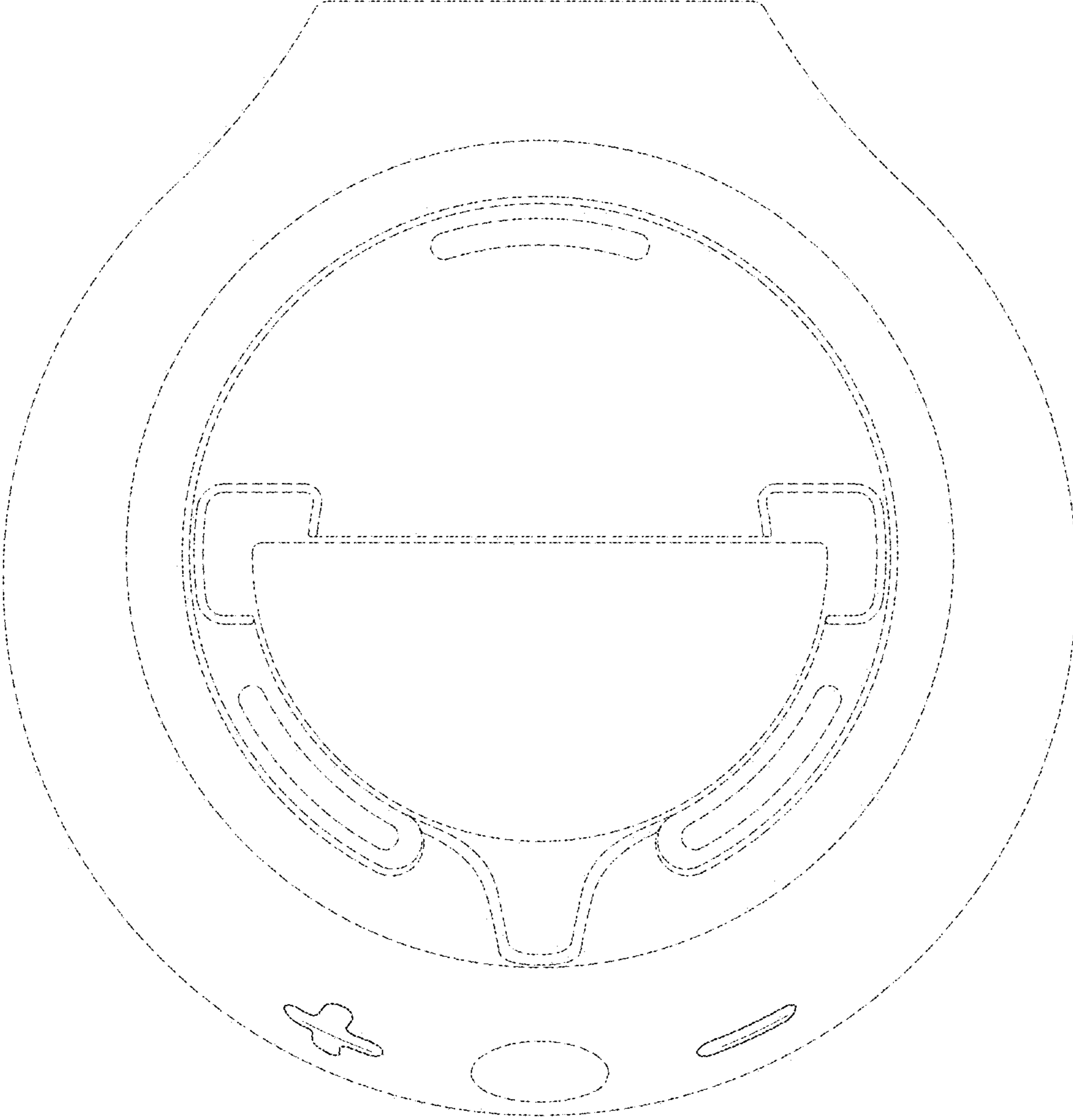


FIG. 20

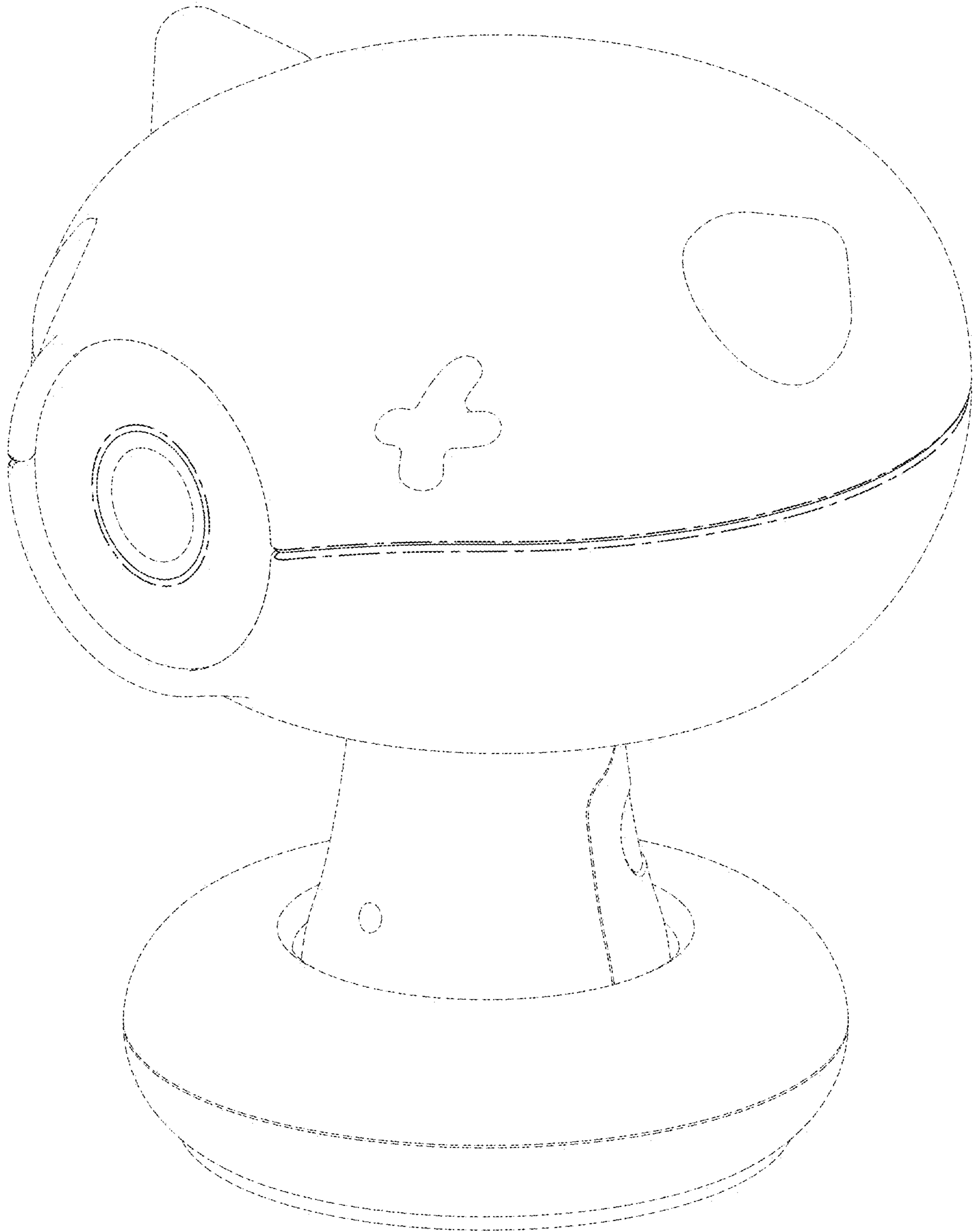


FIG. 21

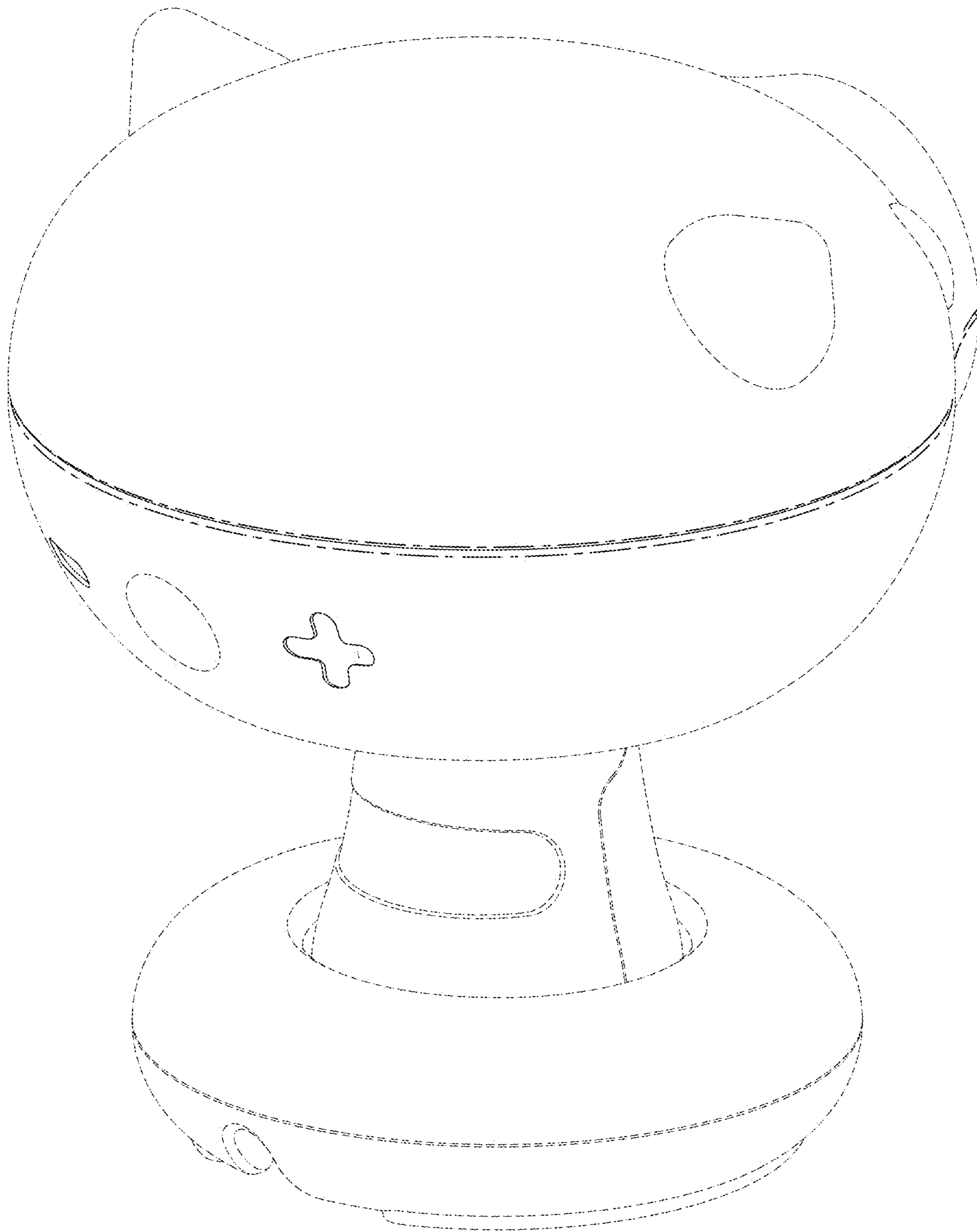


FIG. 22



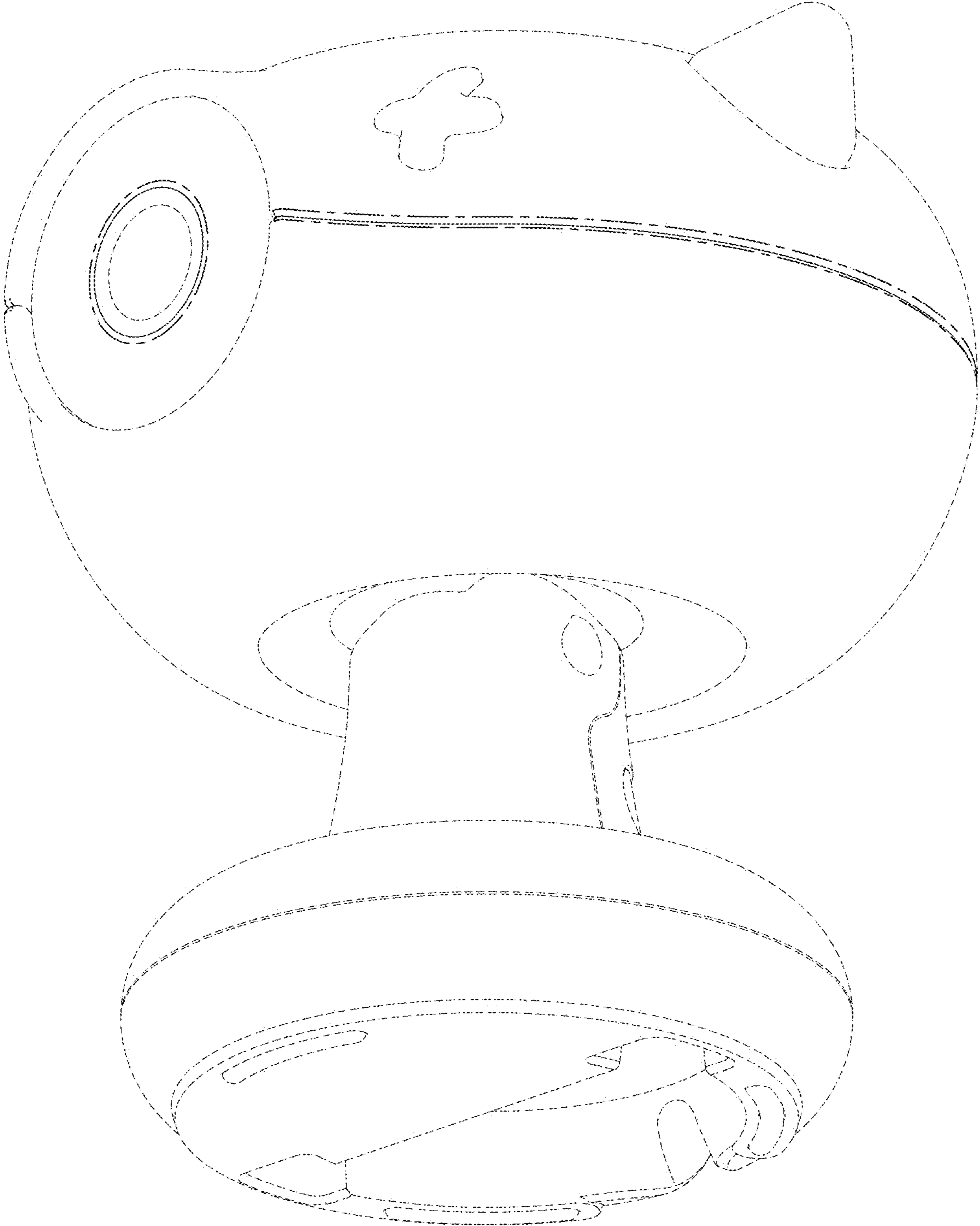


FIG. 23

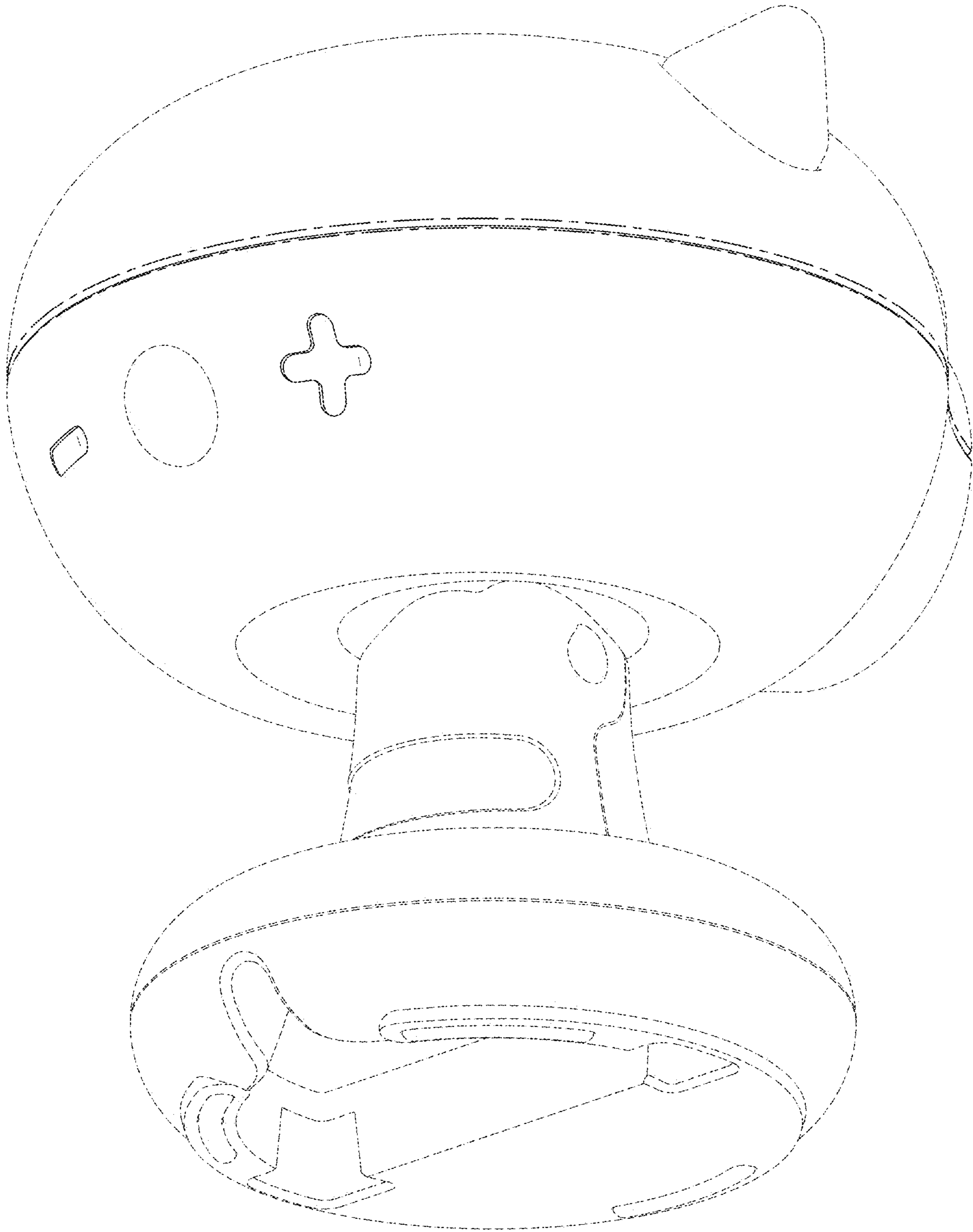


FIG. 24

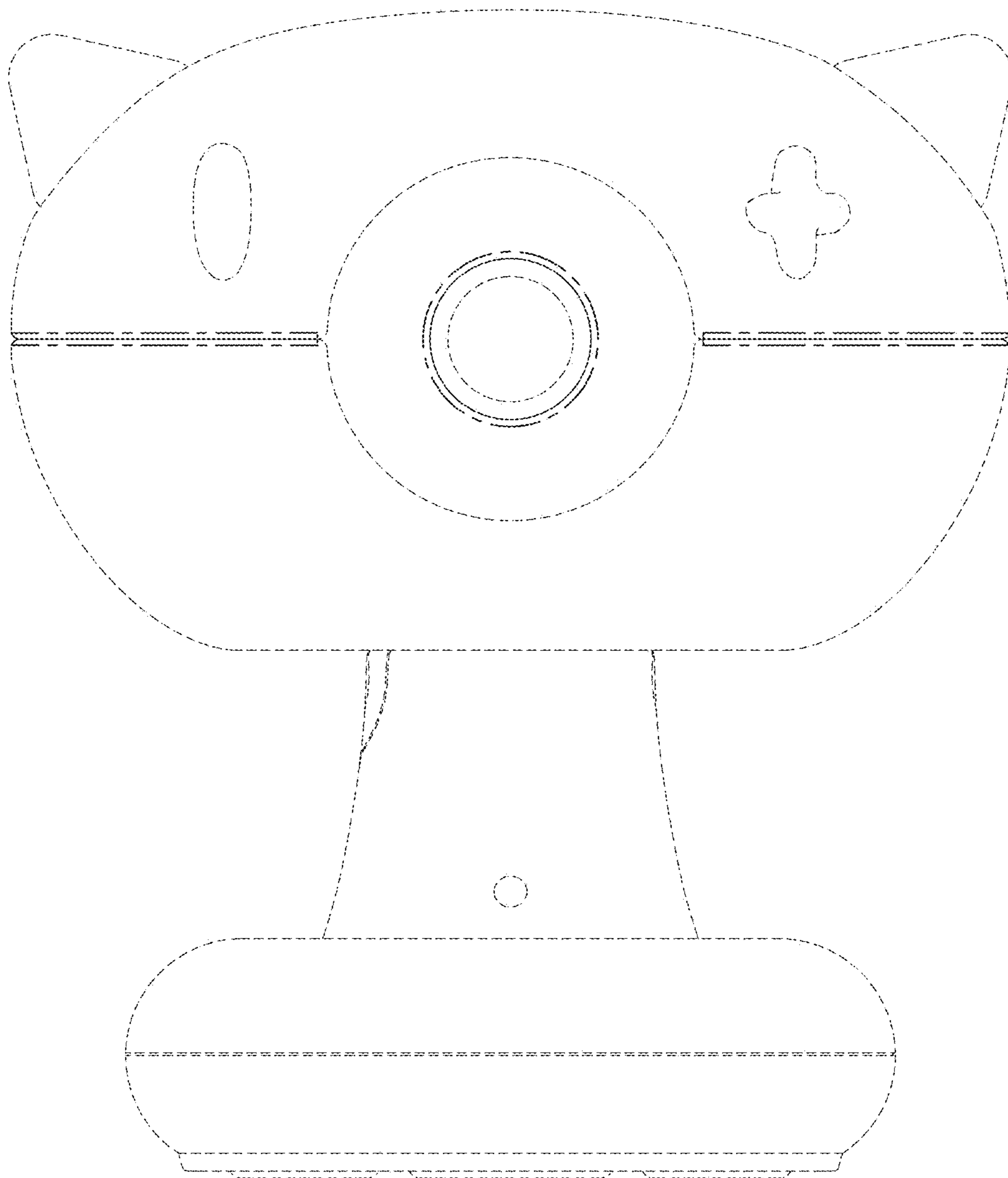


FIG. 25

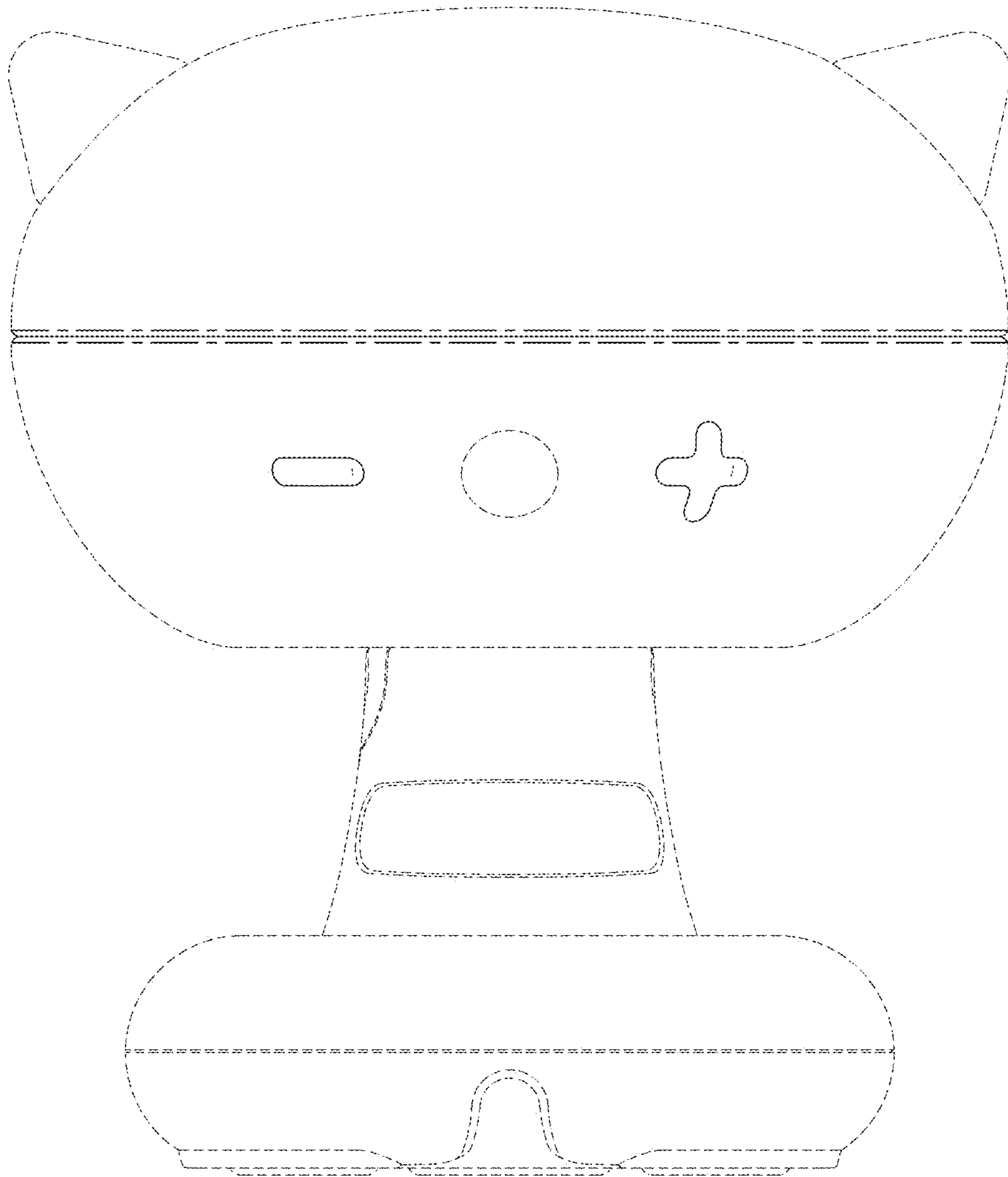


FIG. 26

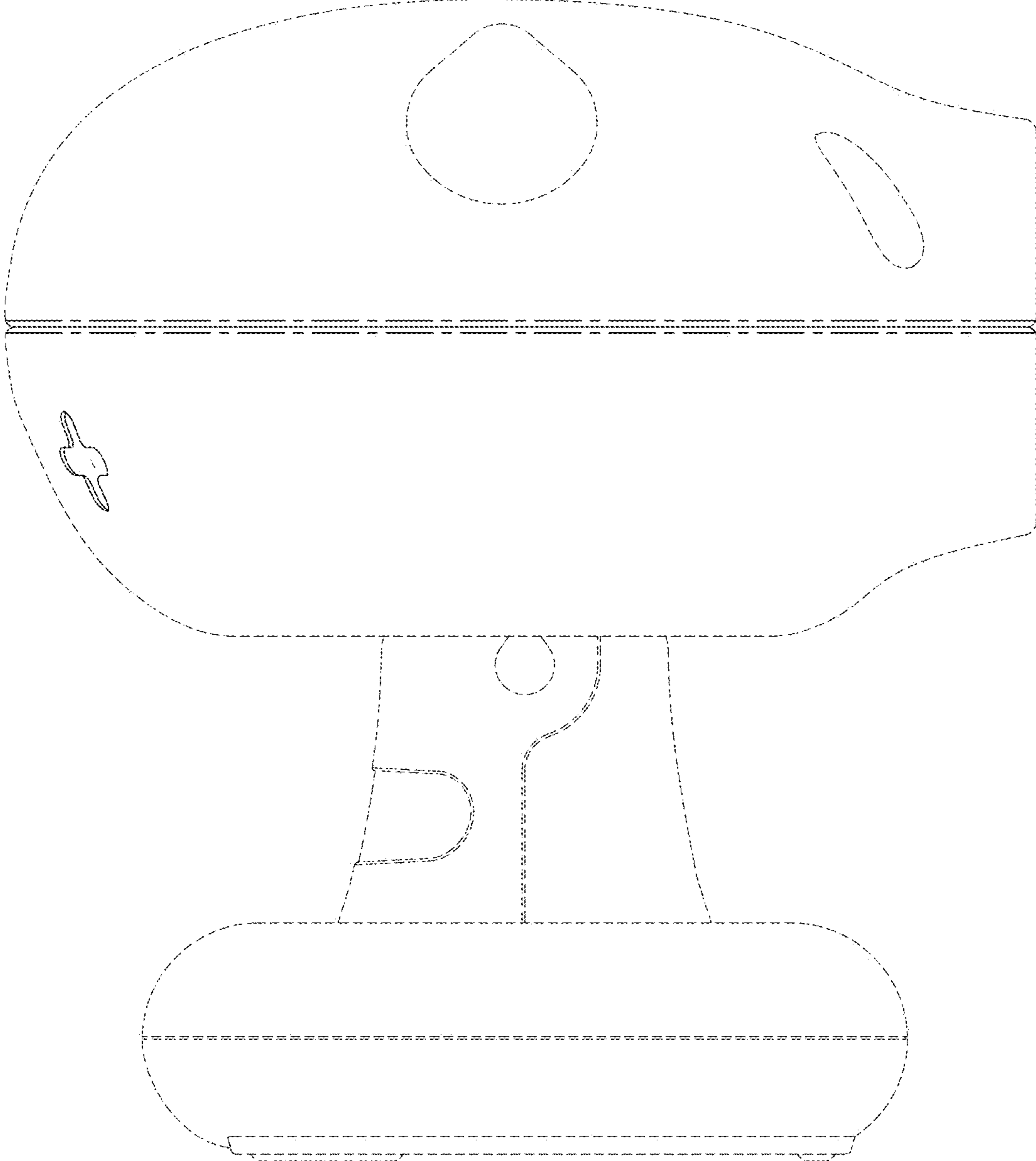


FIG. 27

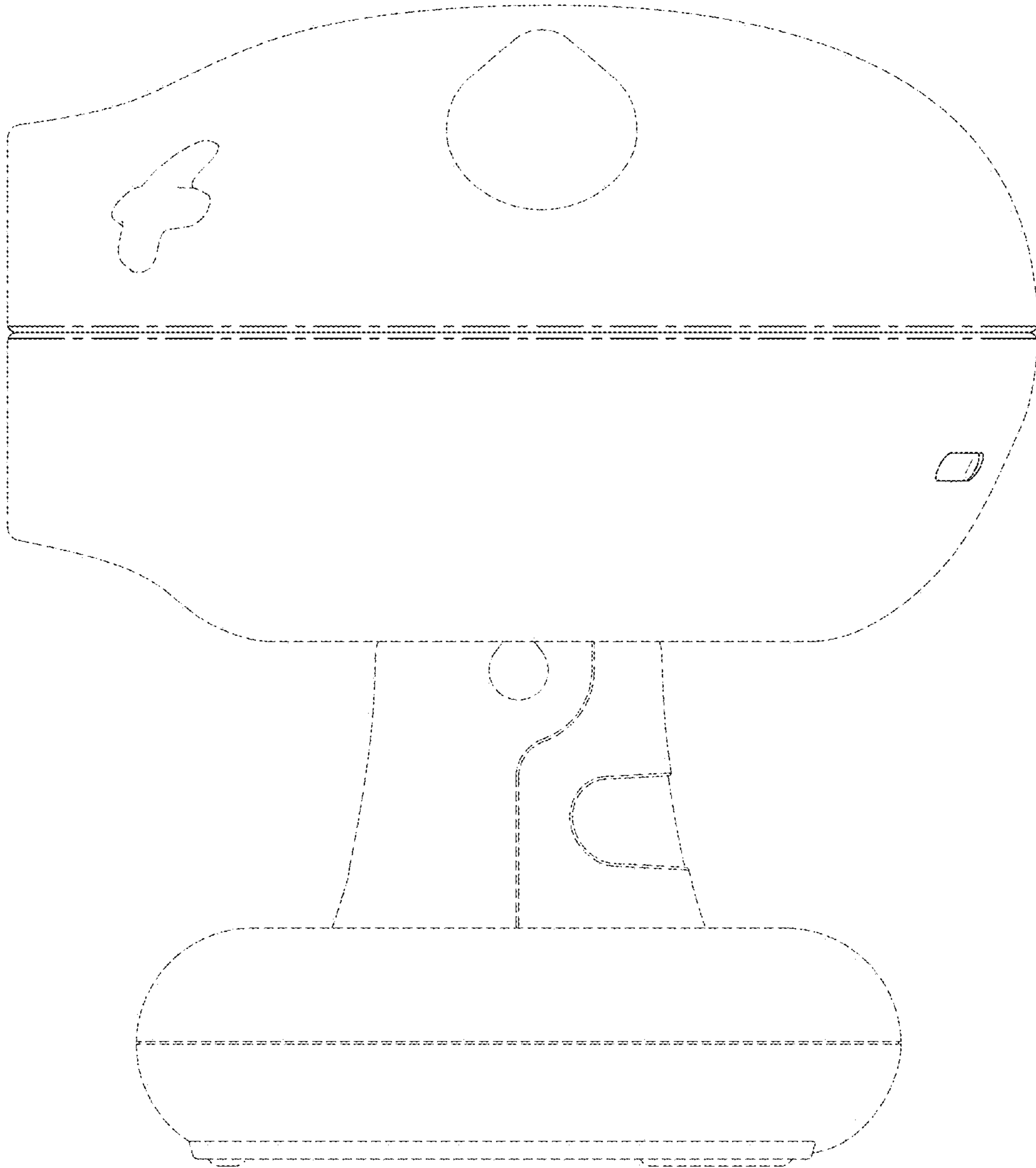


FIG. 28

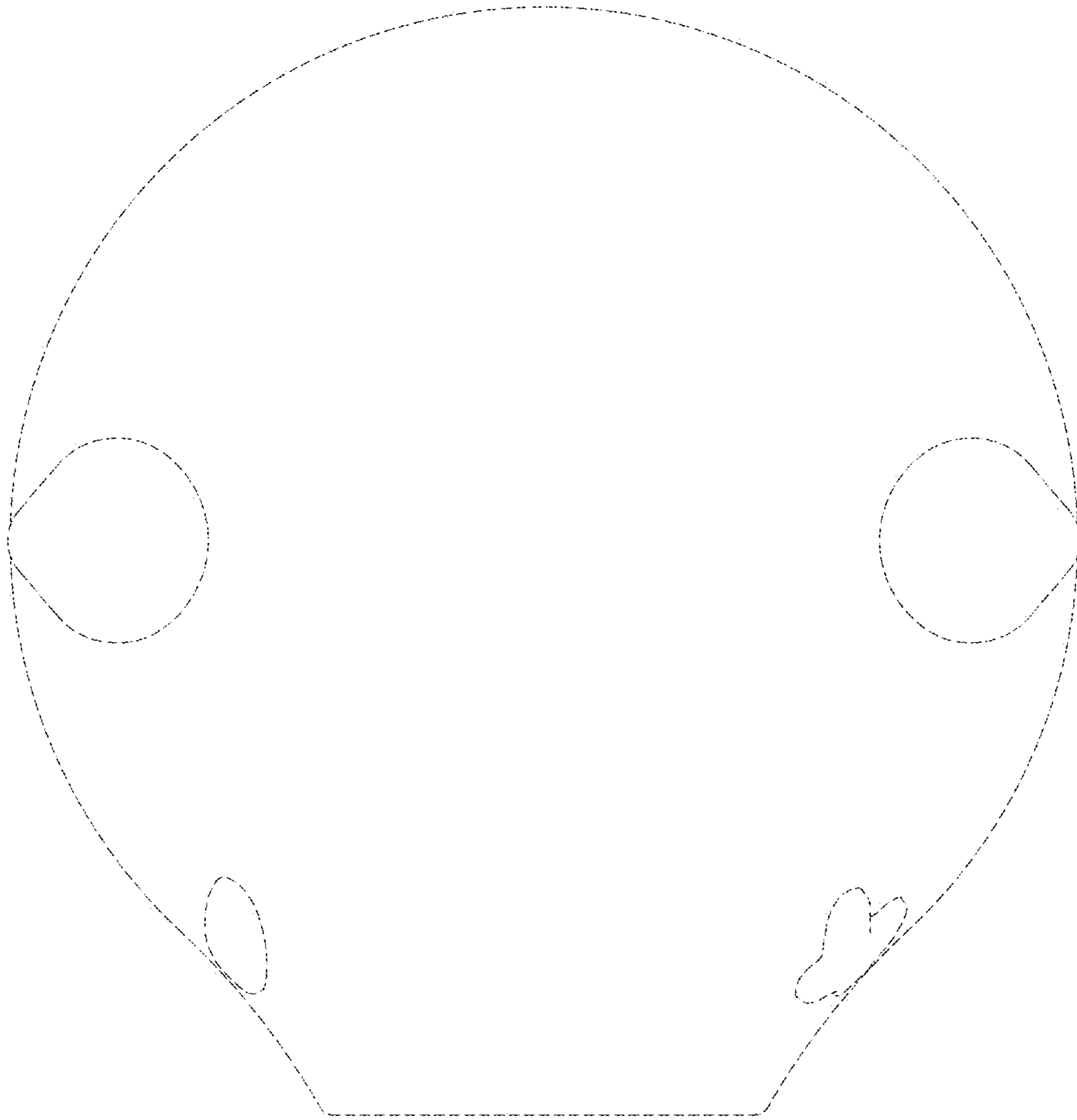


FIG. 29

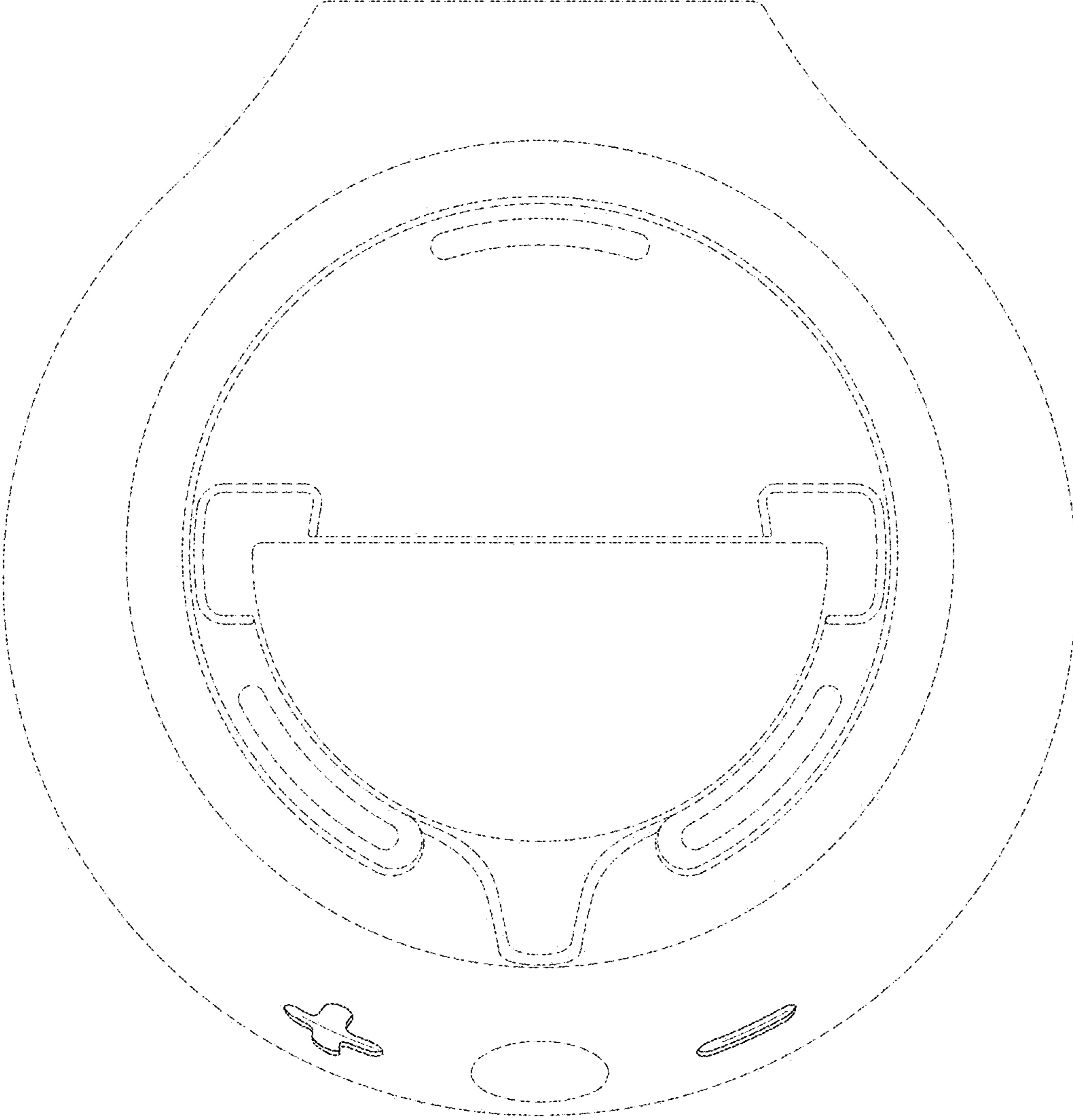


FIG. 30