



US0D1019726S

(12) **United States Design Patent**
Foucher et al.

(10) **Patent No.: US D1,019,726 S**
(45) **Date of Patent: ** Mar. 26, 2024**

(54) **TOUCHLESS COSMETIC LIQUID SAMPLING SYSTEM**

(71) Applicants: **Laurent Foucher**, Montboucher sur Jabron (FR); **Wim Meulenkamp**, Valence (FR); **Mariano Agustin Rodriguez-Fraticelli**, Lausanne (CH); **Markus Gekeler**, Paris (FR); **Yoann LeTensorer**, Paris (FR)

(72) Inventors: **Laurent Foucher**, Montboucher sur Jabron (FR); **Wim Meulenkamp**, Valence (FR); **Mariano Agustin Rodriguez-Fraticelli**, Lausanne (CH); **Markus Gekeler**, Paris (FR); **Yoann LeTensorer**, Paris (FR)

(73) Assignee: **COTY, INC.**, New York, NY (US)

(**) Term: **15 Years**

(21) Appl. No.: **29/797,470**

(22) Filed: **Jun. 30, 2021**

(51) **LOC (14) Cl.** **15-99**

(52) **U.S. Cl.**
USPC **D15/199**

(58) **Field of Classification Search**
USPC D15/199; D20/1
CPC A45D 40/0087; A61K 8/00; A61K 8/04; A61K 8/06; B01F 33/8442; G05B 15/02; G07F 11/007
See application file for complete search history.

(56) **References Cited**

U.S. PATENT DOCUMENTS

D246,338 S * 11/1977 Jespersen D6/545
D285,272 S * 8/1986 Bunschoten D6/545
D300,193 S * 3/1989 Vignot D6/545
5,244,116 A * 9/1993 Leo A45D 40/0087
221/274

D395,774 S * 7/1998 Phillips D6/545
D479,275 S * 9/2003 Lobell D20/4
D483,974 S * 12/2003 Reed D6/542
8,593,634 B1 * 11/2013 Igarashi B01F 31/60
356/402
9,007,588 B1 * 4/2015 Igarashi G05B 15/02
356/402
D784,726 S * 4/2017 Boyd D6/544
D906,723 S * 1/2021 Chen D6/542
D911,739 S * 3/2021 Zhao D6/542
D967,650 S * 10/2022 Yang D6/542
2005/0092772 A1 * 5/2005 Miller B01F 33/84
222/135
2007/0084520 A1 * 4/2007 Driessen B01F 35/881
141/2

FOREIGN PATENT DOCUMENTS

CN 216544901 U * 5/2022
JP 6976935 B2 * 12/2021 A45D 19/0008

* cited by examiner

Primary Examiner — Patricia A Palasik

(74) *Attorney, Agent, or Firm* — SCHWEGMAN LUNDBERG & WOESSNER, P.A.

(57) **CLAIM**

The ornamental design for a touchless cosmetic liquid sampling system, as shown and described.

DESCRIPTION

FIG. 1 is a side-front perspective view of a touchless cosmetic liquid sampling system showing our new design, according to a first embodiment thereof.

FIG. 2 is a front view thereof.

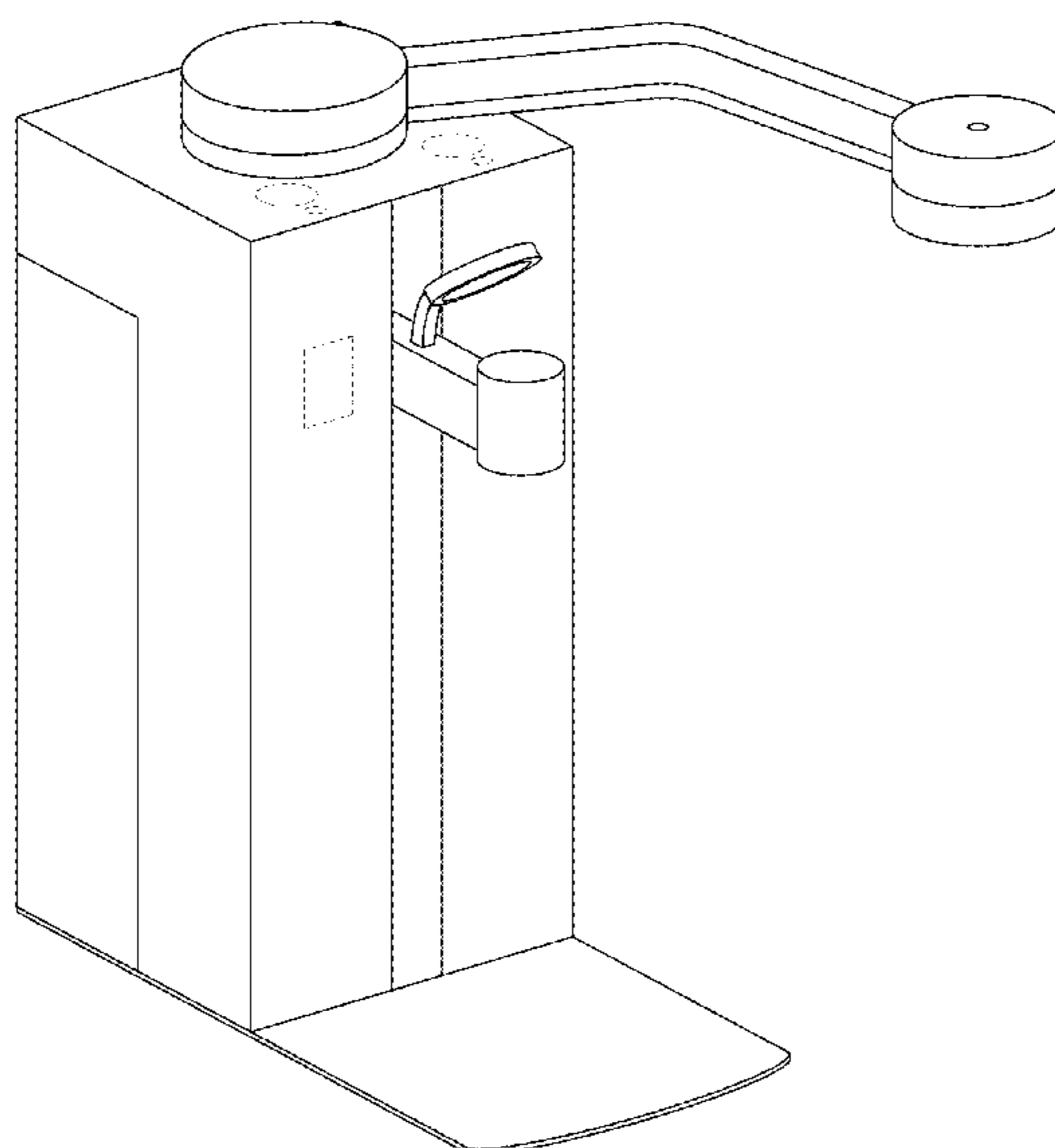
FIG. 3 is a top view thereof.

FIG. 4 is a left side view thereof; and,

FIG. 5 is a right side view thereof.

The broken lines depict portions of the touchless cosmetic liquid sampling system that form no part of the claimed design.

1 Claim, 5 Drawing Sheets



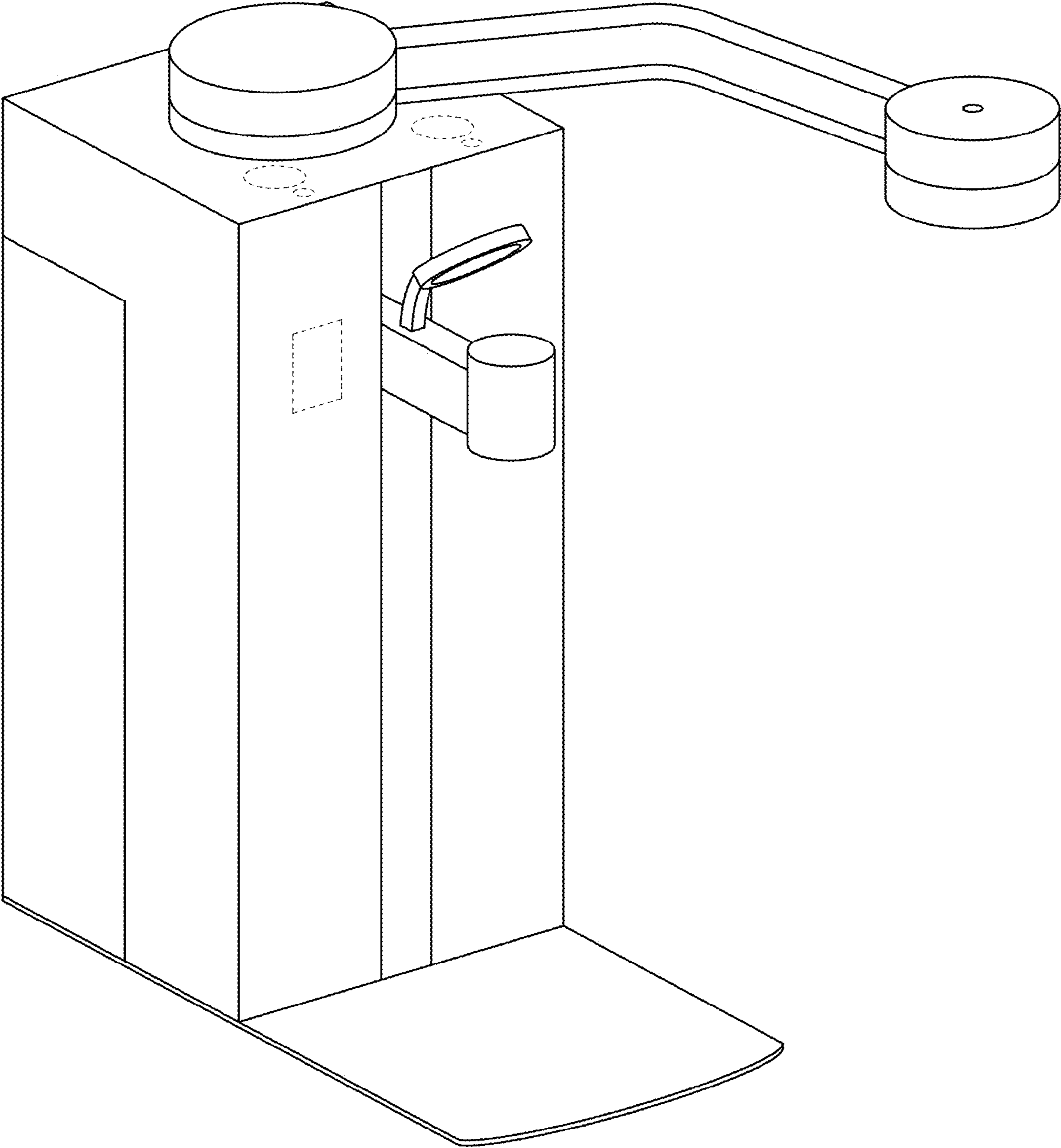


Fig. 1

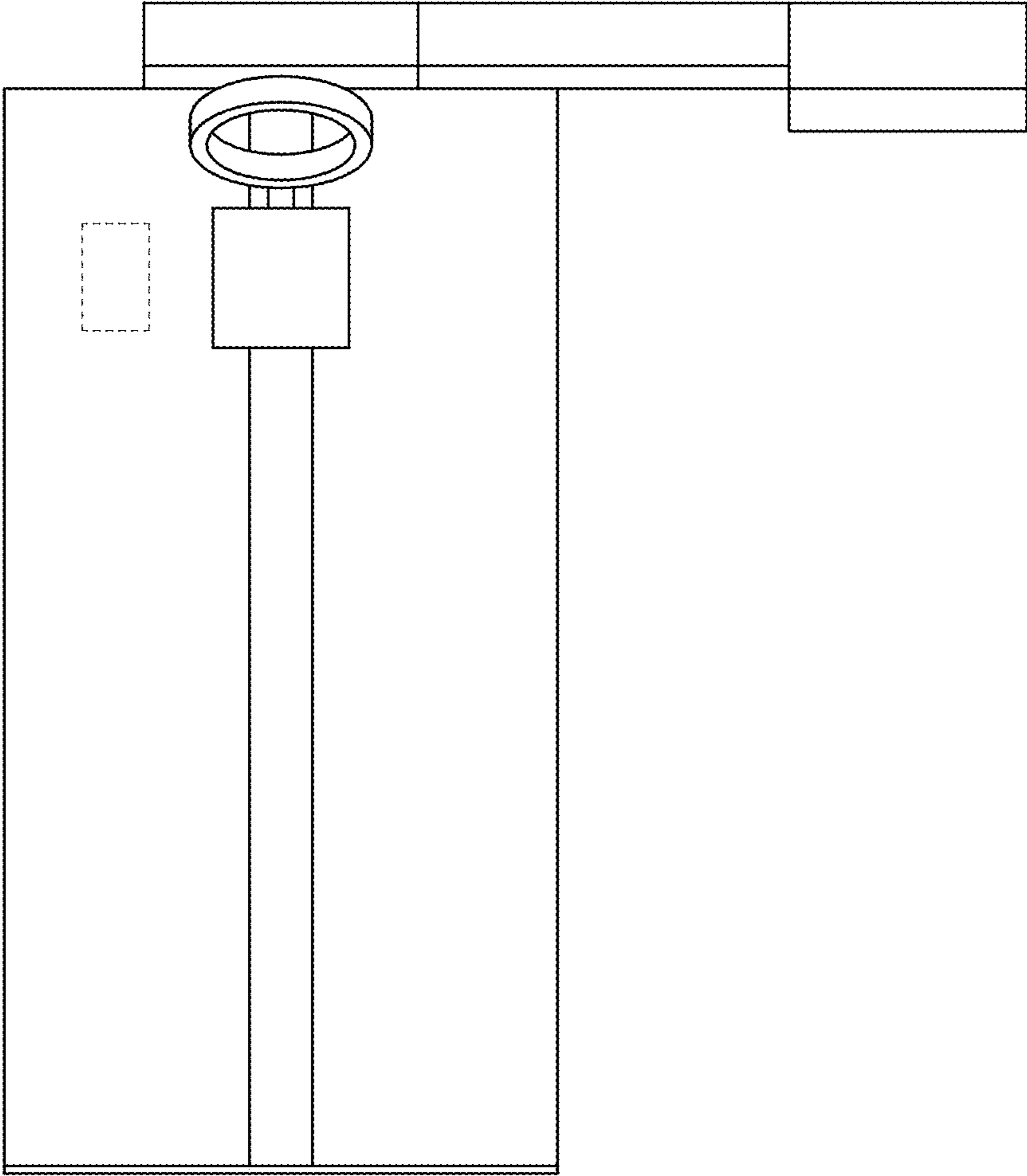


Fig. 2

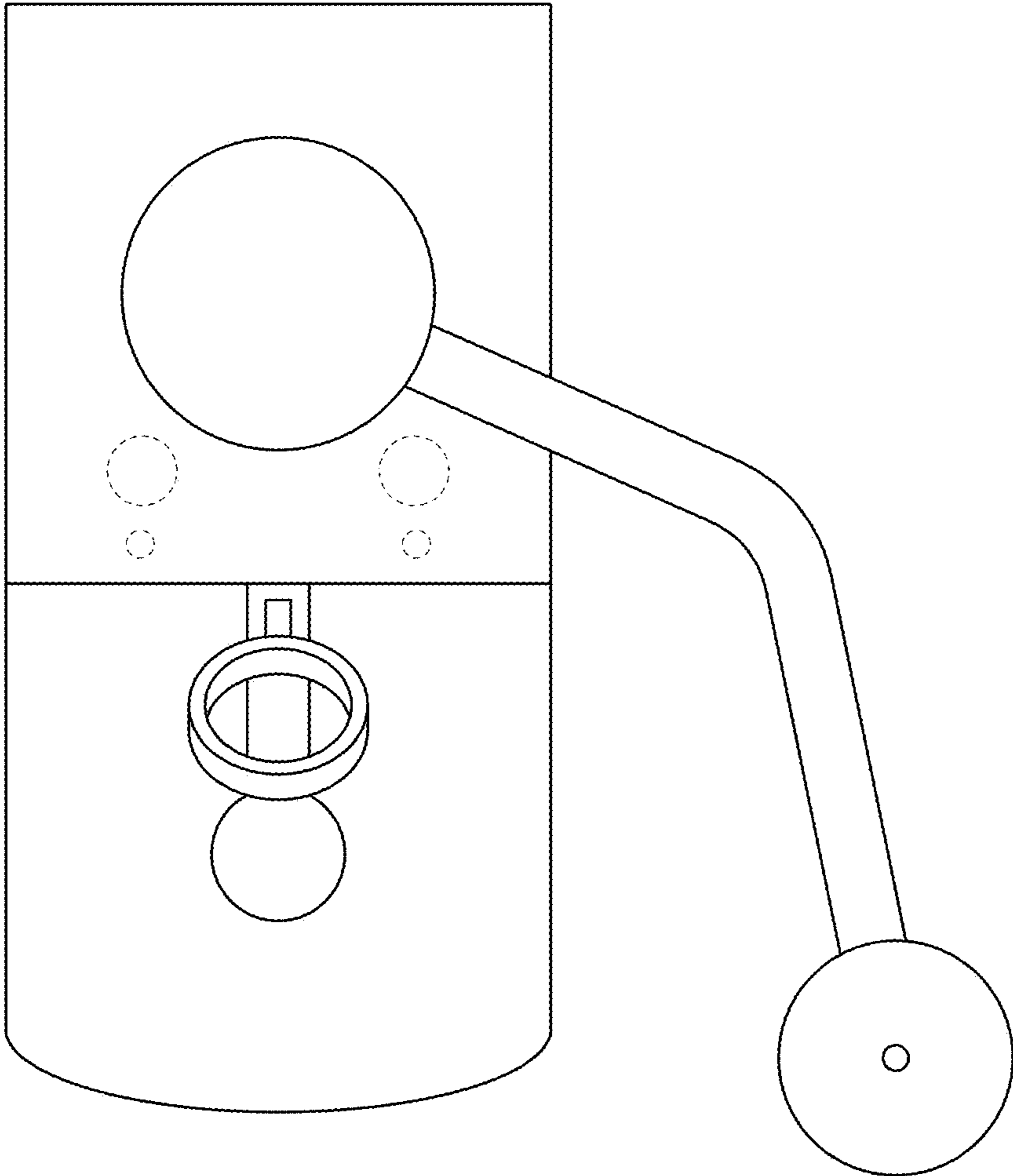


Fig. 3

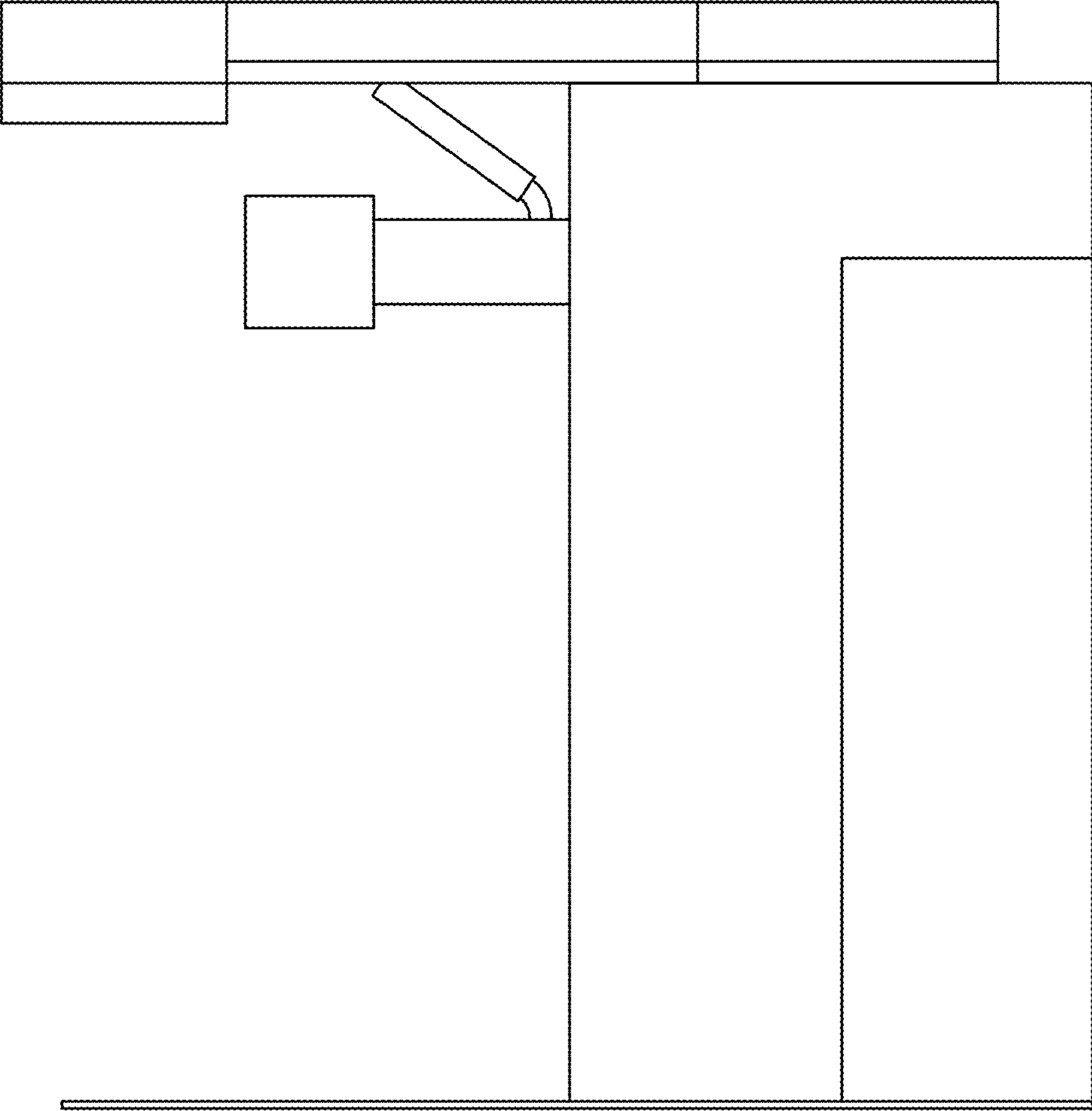


Fig. 4

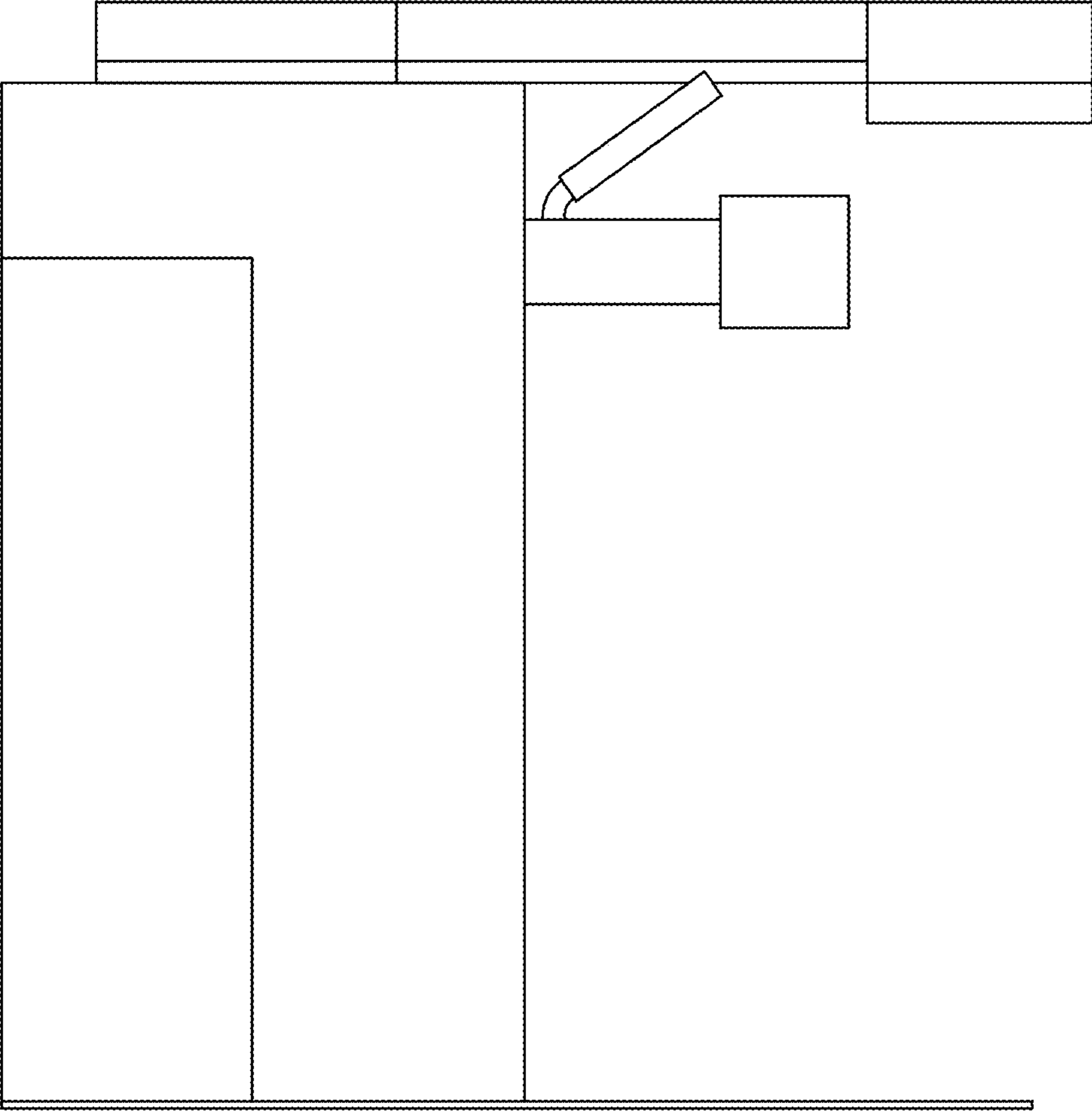


Fig. 5