



US0D1019469S

(12) **United States Design Patent** (10) **Patent No.:** **US D1,019,469 S**  
**Strunz** (45) **Date of Patent:** **\*\* Mar. 26, 2024**

(54) **MOTOR VEHICLE, TOY REPLICA, AND/OR OTHER REPLICA**

(71) Applicant: **Bayerische Motoren Werke Aktiengesellschaft, Munich (DE)**  
(72) Inventor: **Korbinian Irenaeus Strunz, Munich (DE)**  
(73) Assignee: **Bayerische Motoren Werke Aktiengesellschaft, Munich (DE)**  
(\*\*) Term: **15 Years**

(21) Appl. No.: **29/851,212**  
(22) Filed: **Aug. 26, 2022**

(30) **Foreign Application Priority Data**  
Feb. 28, 2022 (DE) ..... 402022100206.8  
(51) **LOC (14) Cl.** ..... **12-08**  
(52) **U.S. Cl.**  
USPC ..... **D12/91**  
(58) **Field of Classification Search**  
USPC ..... D12/86, 88, 90-92, 164; D21/433, 434, D21/533, 535; 296/181.1-181.5, 183.1  
CPC ..... B62D 25/00; B62D 33/00; B62D 35/00  
See application file for complete search history.

(56) **References Cited**  
**U.S. PATENT DOCUMENTS**  
D409,262 S 5/1999 Stephenson  
D490,019 S \* 5/2004 Sakae ..... D12/91  
D504,087 S \* 4/2005 Hakamata ..... D12/91  
D513,716 S \* 1/2006 Acampora ..... D12/91  
(Continued)

**FOREIGN PATENT DOCUMENTS**  
DE M9802376-0001 11/1998  
EM 000482419-0005 10/2006  
(Continued)

**OTHER PUBLICATIONS**

Korean-language Office Action issued in counterpart South Korean Design Patent Application No. 30-2022-0037862, dated May 15, 2023 with English translation (5 pages).  
(Continued)

*Primary Examiner* — Melody N Brown  
(74) *Attorney, Agent, or Firm* — Crowell & Moring LLP

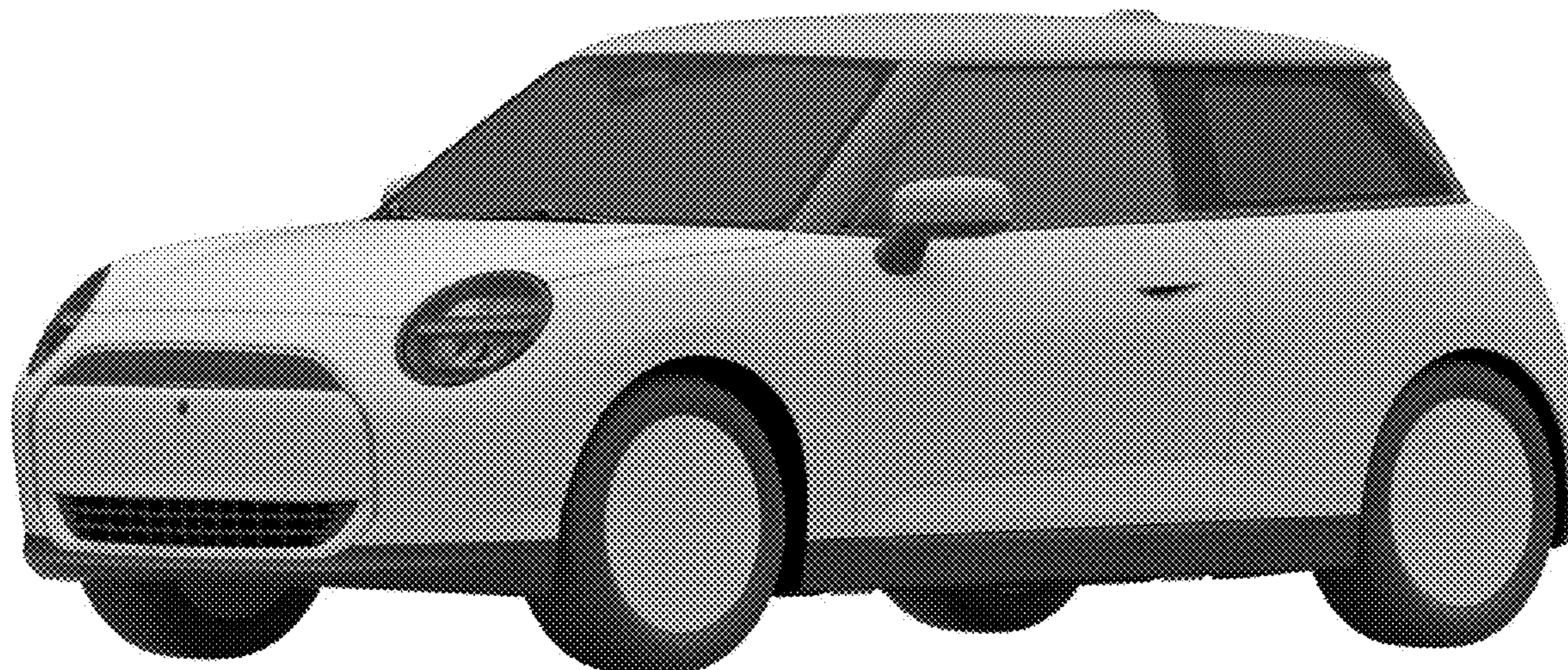
(57) **CLAIM**

The ornamental design for a motor vehicle, toy replica, and/or other replica, as shown and described.

**DESCRIPTION**

This application contains subject matter related to the following co-pending U.S. design patent applications: Application Ser. No. 29/851,213, filed herewith and entitled “Hood For A Vehicle”; Application Ser. No. 29/851,214, filed herewith and entitled “Front Bumper For A Vehicle”; Application Ser. No. 29/851,216, filed herewith and entitled “Front Fender For A Vehicle”; Application Ser. No. 29/851,217, filed herewith and entitled “Rear Bumper For A Vehicle”; Application Ser. No. 29/851,219, filed herewith and entitled “Headlight For A Vehicle”; and, Application Ser. No. 29/851,221, filed herewith and entitled “Taillight For A Vehicle”.  
FIG. 1 is a left, front perspective view of a motor vehicle, toy replica, and/or other replica according to the design;  
FIG. 2 is a left side view thereof;  
FIG. 3 is a right side view thereof;  
FIG. 4 is a right, rear perspective view thereof;  
FIG. 5 is a front view thereof;  
FIG. 6 is rear view thereof; and,  
FIG. 7 is a top view thereof.

**1 Claim, 7 Drawing Sheets**



(56)

**References Cited**

## U.S. PATENT DOCUMENTS

D540,714 S *	4/2007	Mueller-Stolz .....	D12/91
D598,810 S *	8/2009	Jang .....	D12/91
D605,084 S *	12/2009	Szavits .....	D12/91
D626,455 S *	11/2010	Syring .....	D12/92
D633,571 S *	3/2011	Schneider .....	D12/91
D670,607 S *	11/2012	Buckingham .....	D12/92
D738,786 S *	9/2015	Mueller-Stolz .....	D12/91
D745,437 S *	12/2015	Goepfel .....	D12/92
D759,542 S *	6/2016	Goepfel .....	D12/91
D762,523 S *	8/2016	Schneider .....	D12/91
D813,097 S *	3/2018	Szavits .....	D12/91
D834,451 S *	11/2018	Anton .....	D12/91
D837,098 S	1/2019	Strunz	
D962,121 S	8/2022	Steinhoff	

## FOREIGN PATENT DOCUMENTS

EM	001894163-0001	7/2012
EM	002374272-0001	3/2014
EM	002449447-0001	5/2016

## OTHER PUBLICATIONS

Opletal, Jiri, *GWM—BMW electric Mini Cooper S spy shots leak in China. Car to be launched in 2023*, CarNewsChina.com, Dec. 10, 2021, 4 pages, <https://carnewschina.com/2021/12/10/mini-cooper-s-spy-shots-leak-in-china-car-to-be-launched-in-2023/>.

Stocksdale, Joel, *Next-gen Mini Hardtop spy shots show dramatic changes*, Autoblog, Dec. 10, 2021, 8 pages, <https://www.autoblog.com/2021/12/10/next-gen-mini-cooper-s-hardtop-electric-spy-photos/>.

\* cited by examiner





Fig. 1



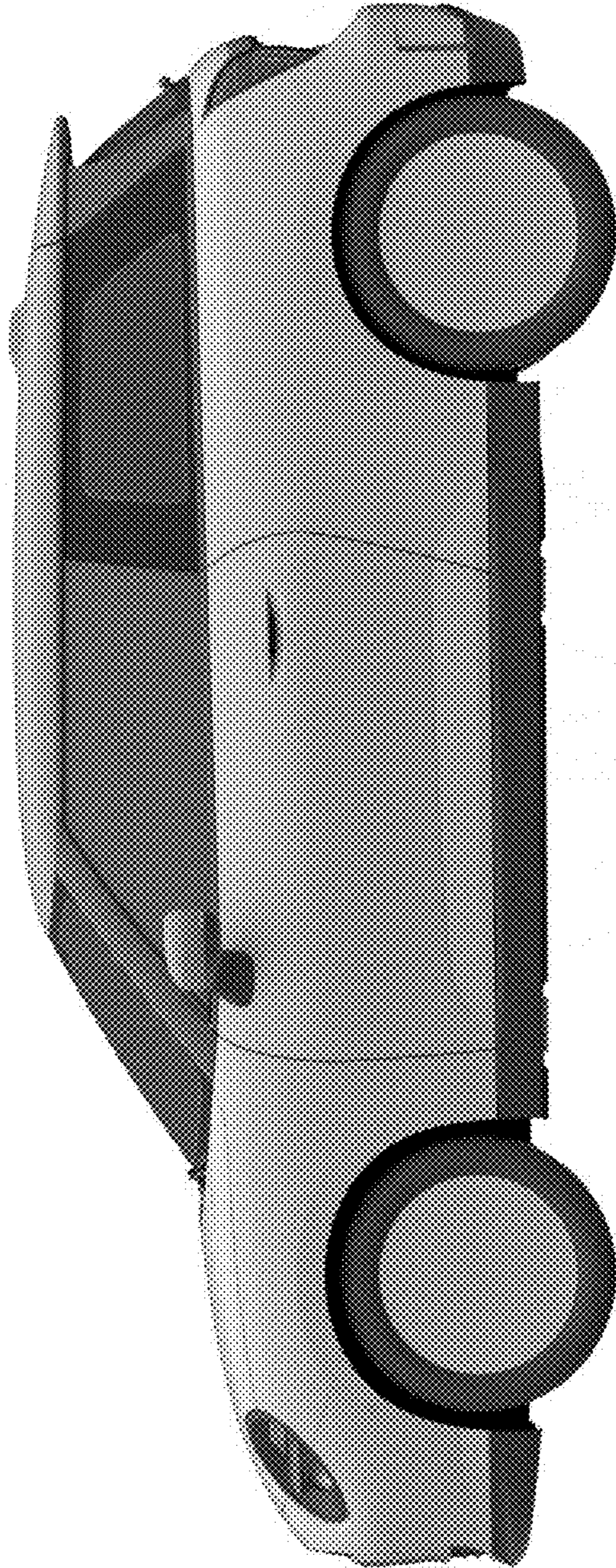


Fig. 2



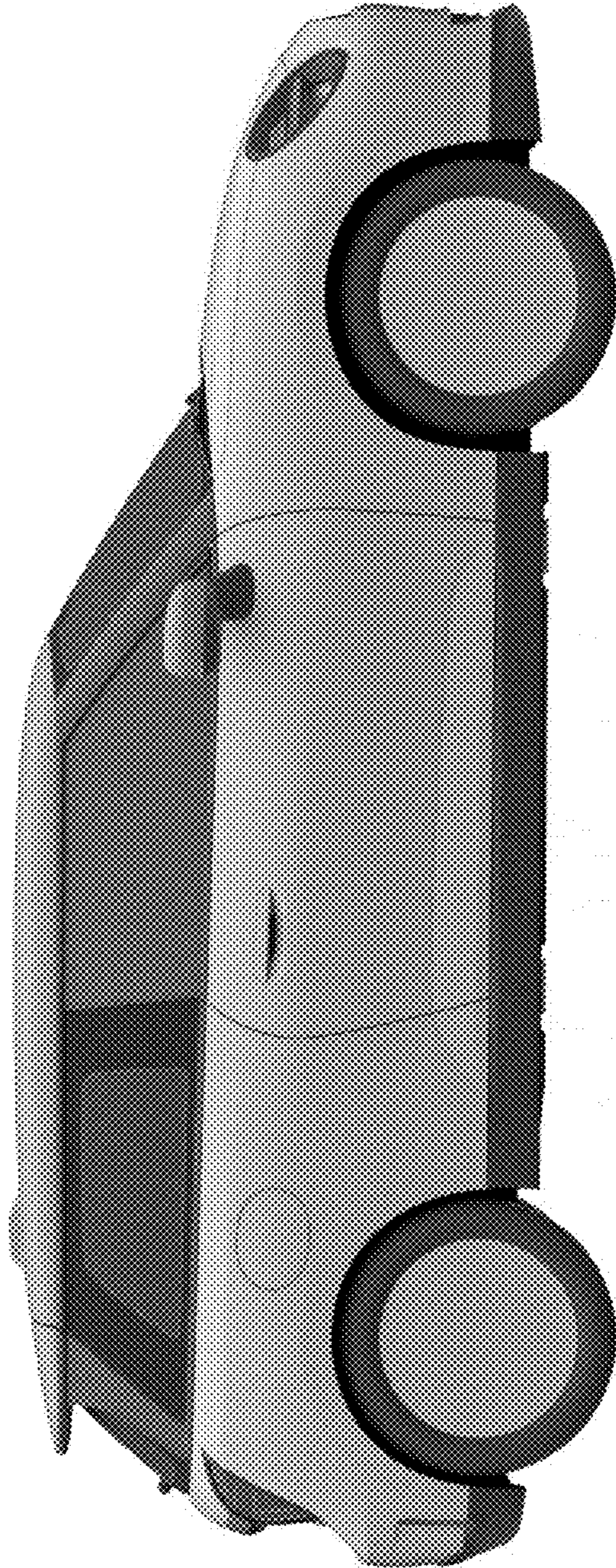


Fig. 3



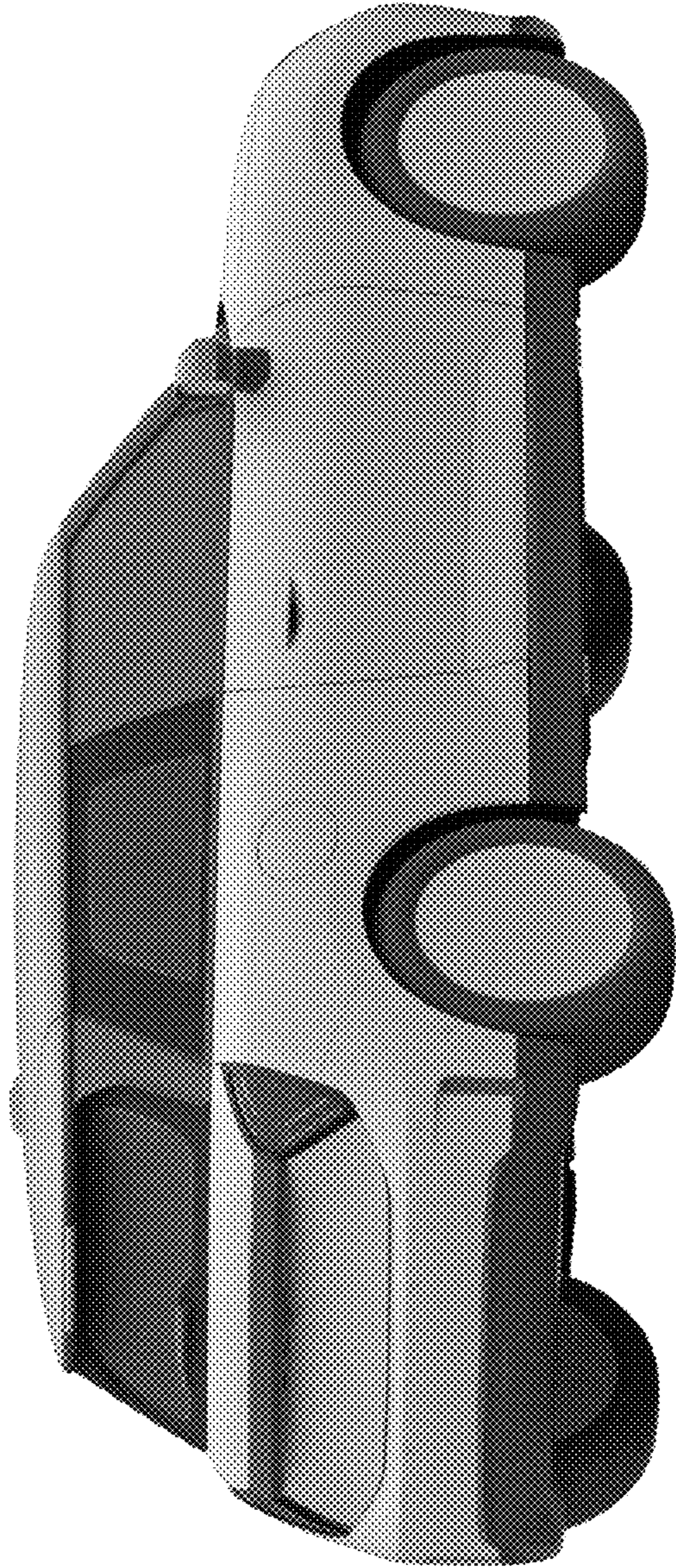


Fig. 4



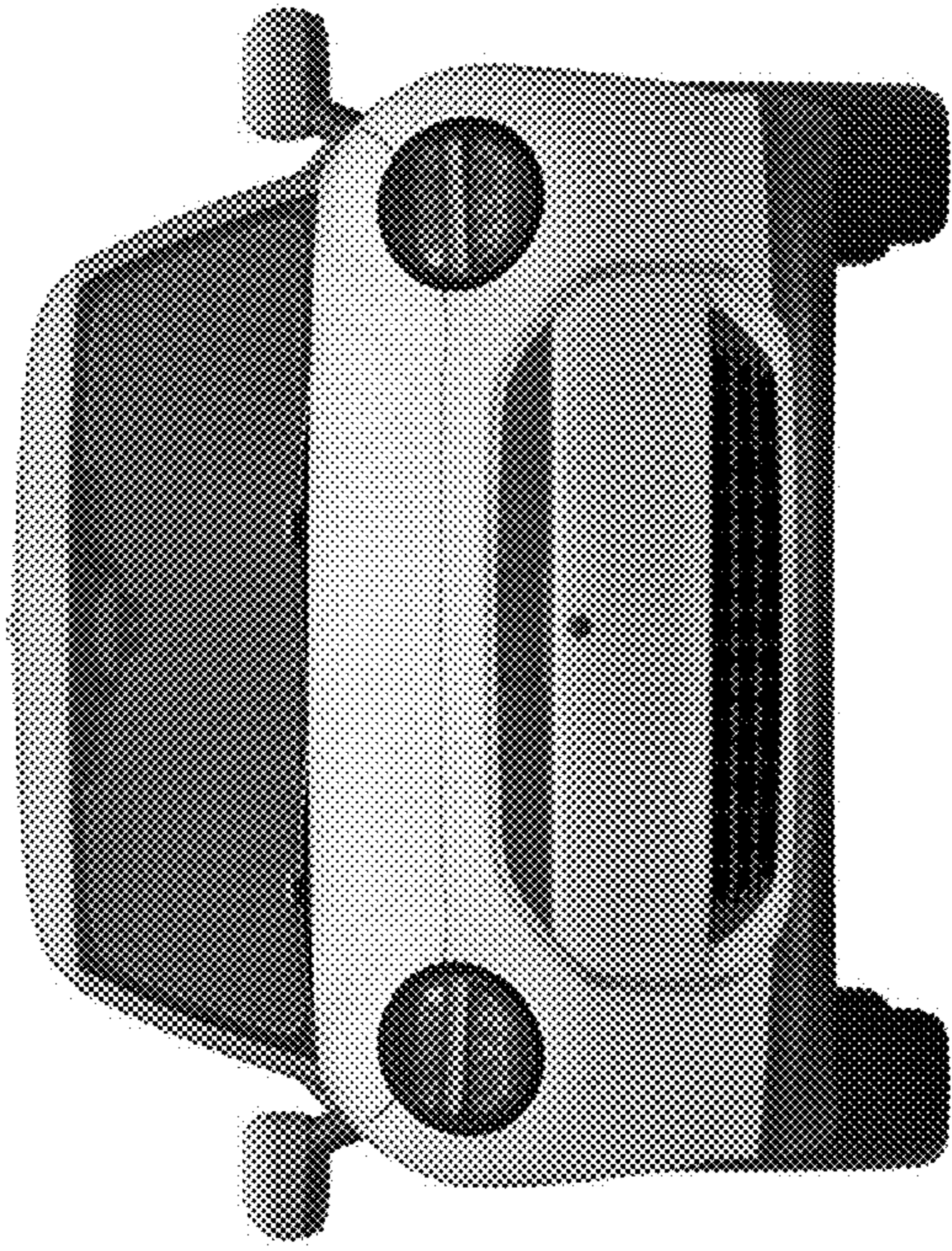


Fig. 5

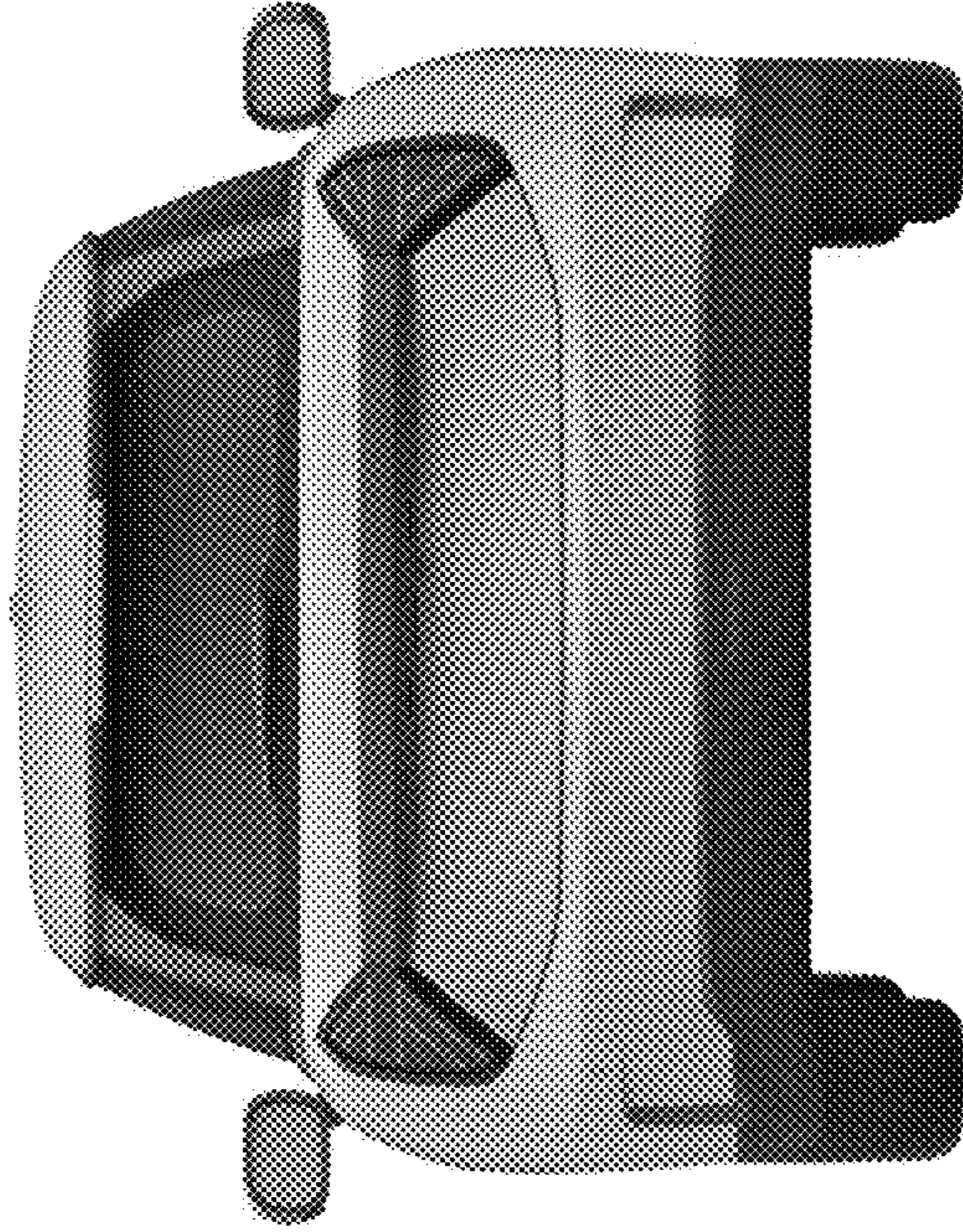


Fig. 6



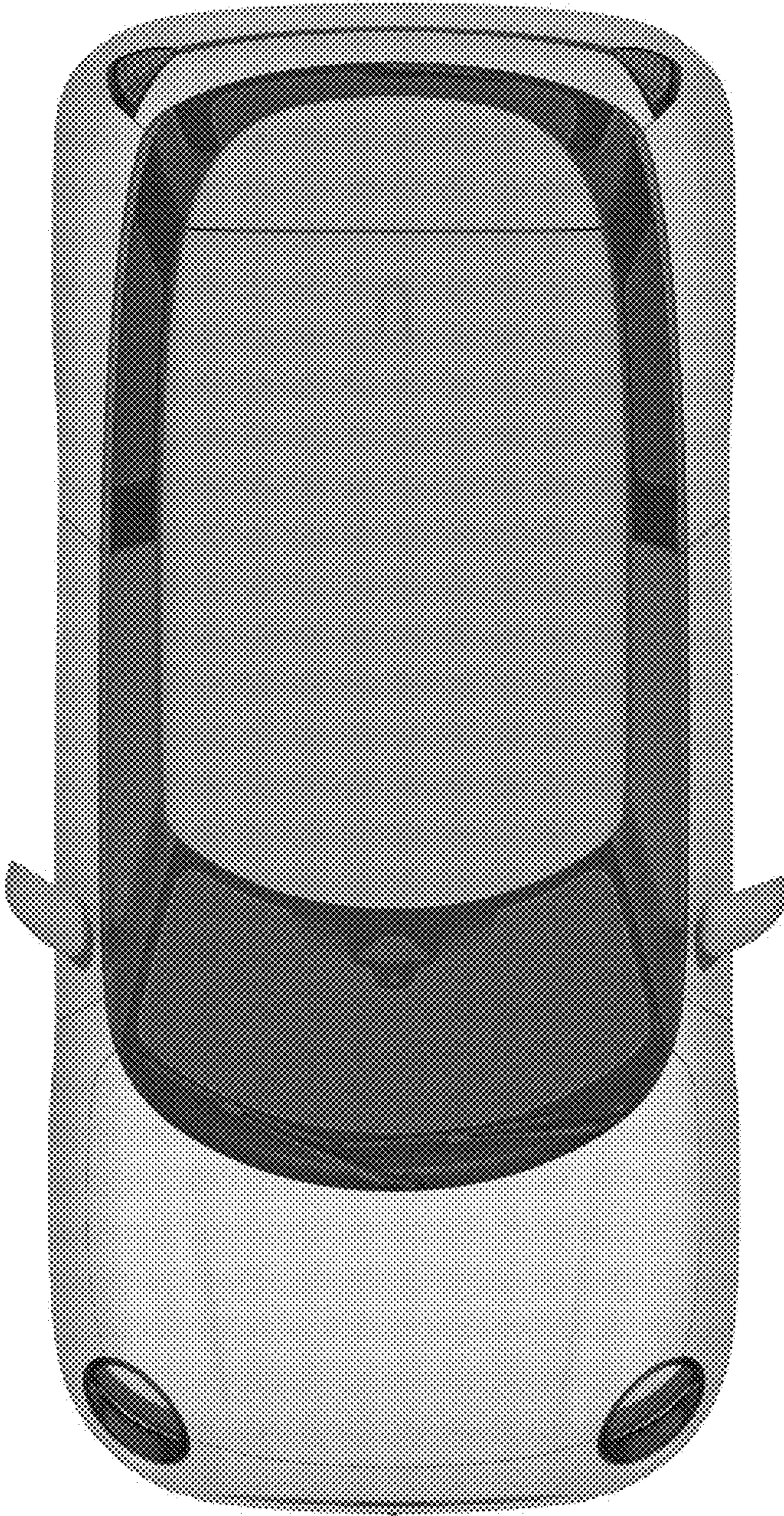


Fig. 7