



US0D1019464S

(12) **United States Design Patent** (10) **Patent No.:** **US D1,019,464 S**  
**Qiu** (45) **Date of Patent:** **\*\* Mar. 26, 2024**

(54) **BUCKLE**  
(71) Applicant: **Bicheng Qiu**, Meizhou (CN)  
(72) Inventor: **Bicheng Qiu**, Meizhou (CN)  
(\*\*) Term: **15 Years**  
(21) Appl. No.: **29/906,724**  
(22) Filed: **Nov. 9, 2023**  
(51) **LOC (14) Cl.** ..... **02-07**  
(52) **U.S. Cl.**  
USPC ..... **D11/200**  
(58) **Field of Classification Search**  
USPC ..... D11/200-201, 208, 212-220, 222-223;  
D2/627, 639; D3/215; D8/356, 382-383;  
D30/139, 151-152, 199; D29/122  
CPC ..... A44B 11/00; A44B 11/006; A44B 11/06;  
A44B 11/16; A44B 11/25; A44B 11/2503;  
A44B 11/2526; A44B 11/253; A44B  
11/2549; A44B 11/2569; A44B 11/258;  
A44B 11/2584; A44B 11/2588; A44B  
11/28; A44B 13/00; A44B 13/0088; A44B  
15/00; A62B 35/00; A62B 35/0006; A62B  
35/0025; A62B 35/0031; A45F 2003/142;  
A45F 2003/144; A45F 2003/146; A45F  
2003/148; A45F 3/005; A45F 3/14; A45F  
5/021

See application file for complete search history.

(56) **References Cited**

**U.S. PATENT DOCUMENTS**

D254,996 S \* 5/1980 Lonnstedt ..... D29/122  
D255,058 S \* 5/1980 Lonnstedt ..... D29/122  
D718,186 S 11/2014 Iannello  
9,247,787 B2 \* 2/2016 Dering ..... A44B 11/25  
D765,392 S \* 9/2016 Chang ..... D3/218

D778,208 S 2/2017 Fujii  
2015/0113772 A1\* 4/2015 Dering ..... A44B 11/25  
24/591.1  
2022/0011654 A1\* 1/2022 Ruckman ..... G03B 17/561

**OTHER PUBLICATIONS**

Smallrig Camera Strap Connector with Base, Date Available Dec. 2, 2019, Amazon UK, Site Visited on Jan. 9, 2024: <https://www.amazon.co.uk/SMALLRIG-Connectors-Shoulder-Adapter-Release/dp/B0827RDW19> (Year: 2019).\*

Quick Release Connector, Date Available Jul. 30, 2020, Amazon JP, Site Visited on Jan. 9, 2024: <https://www.amazon.co.jp/-/en/release-connector-accessories-universal-application/dp/B08DXTHWM5> (Year: 2020).\*

Peak Design Cuff Camera Wrist Strap, Date Available Jun. 30, 2021, Walmart, Site Visited on Jan. 9, 2024: <https://www.walmart.com/ip/Peak-Design-Cuff-Camera-Wrist-Strap-Black/359201239> (Year: 2021).\*

\* cited by examiner

*Primary Examiner* — Gino Colan

*Assistant Examiner* — Nicole M. Leech

(74) *Attorney, Agent, or Firm* — Georgi Korobanov

(57) **CLAIM**

The ornamental design for a buckle, as shown and described.

**DESCRIPTION**

FIG. 1 is a front, right and bottom perspective view of a buckle, showing my new design;

FIG. 2 is a rear, left and top perspective view thereof;

FIG. 3 is a front view thereof;

FIG. 4 is a rear view thereof;

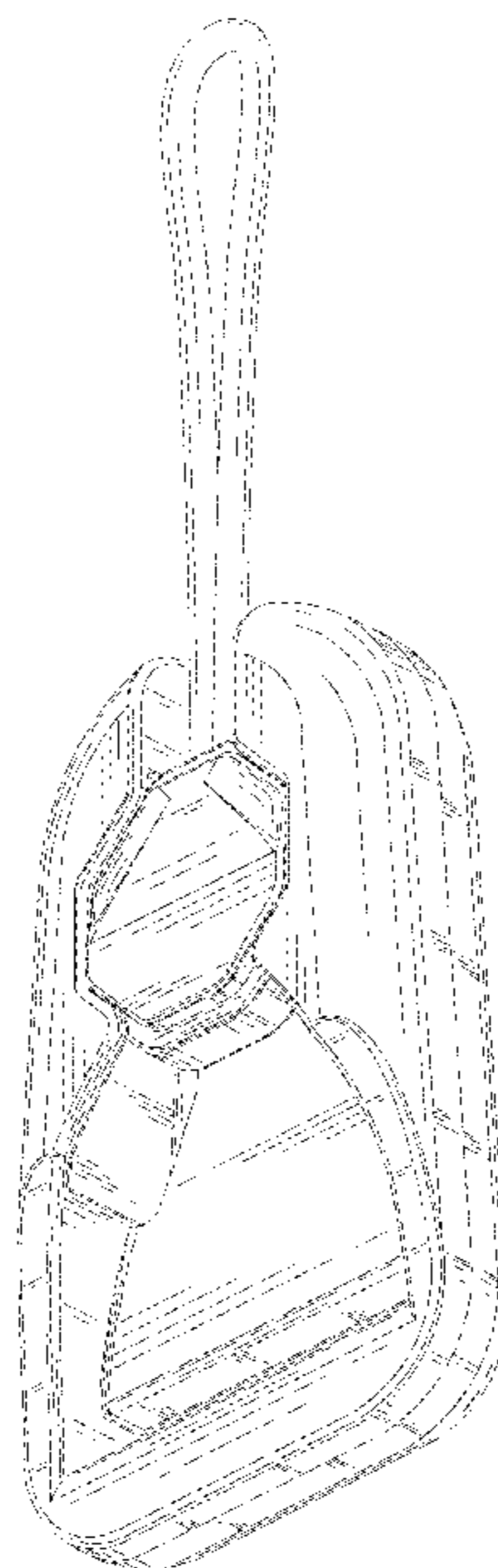
FIG. 5 is a left side view thereof;

FIG. 6 is a right side view thereof;

FIG. 7 is a top pian view thereof; and,

FIG. 8 is a bottom plan view thereof.

**1 Claim, 8 Drawing Sheets**



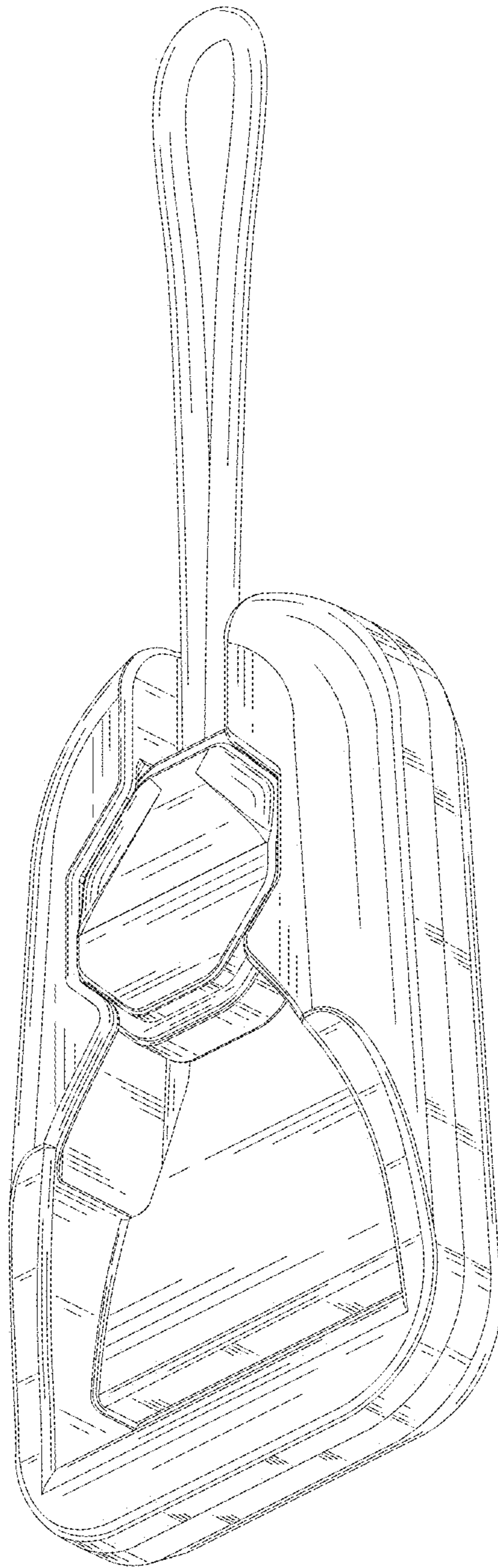


FIG. 1

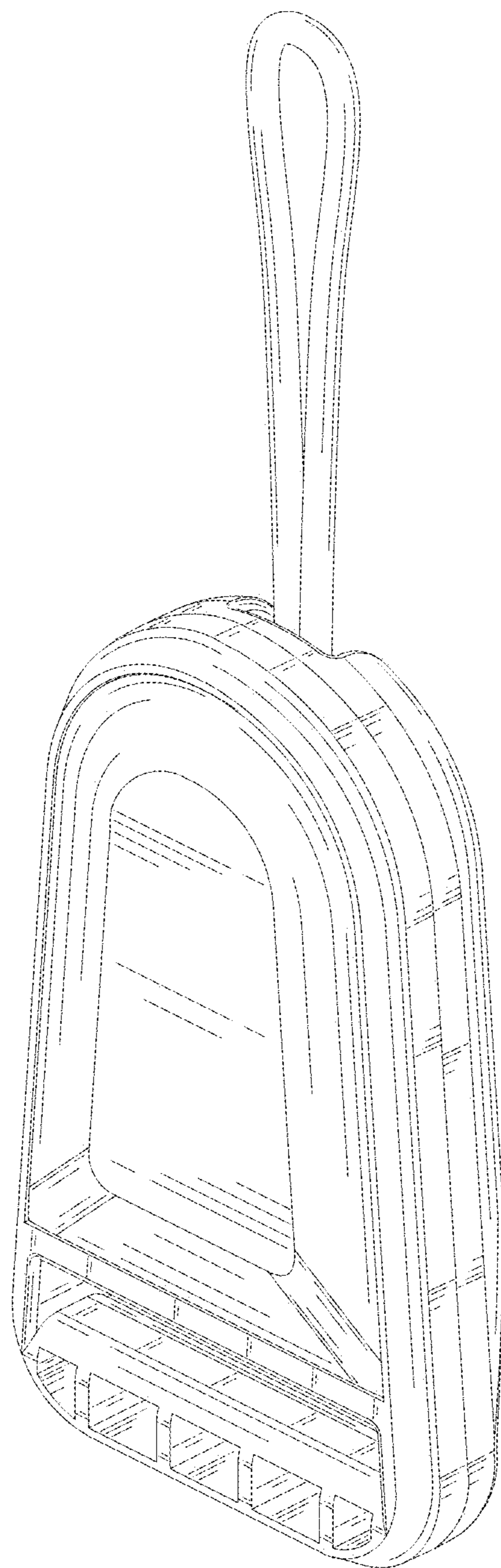


FIG. 2

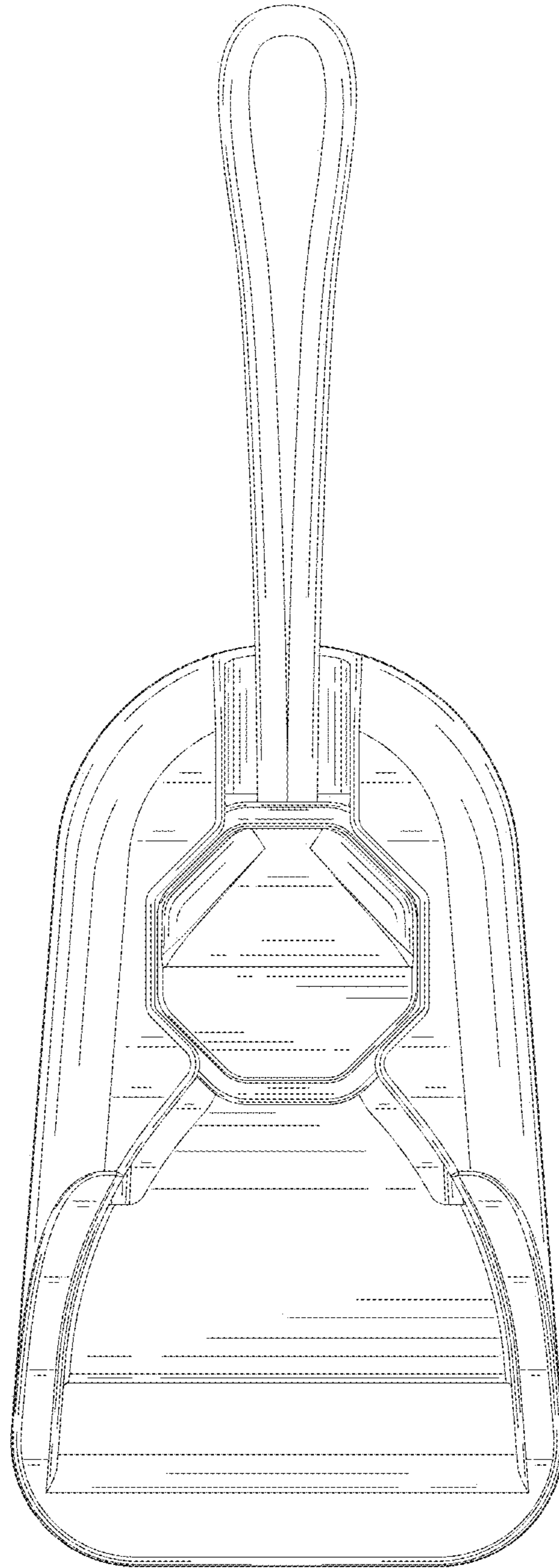


FIG. 3

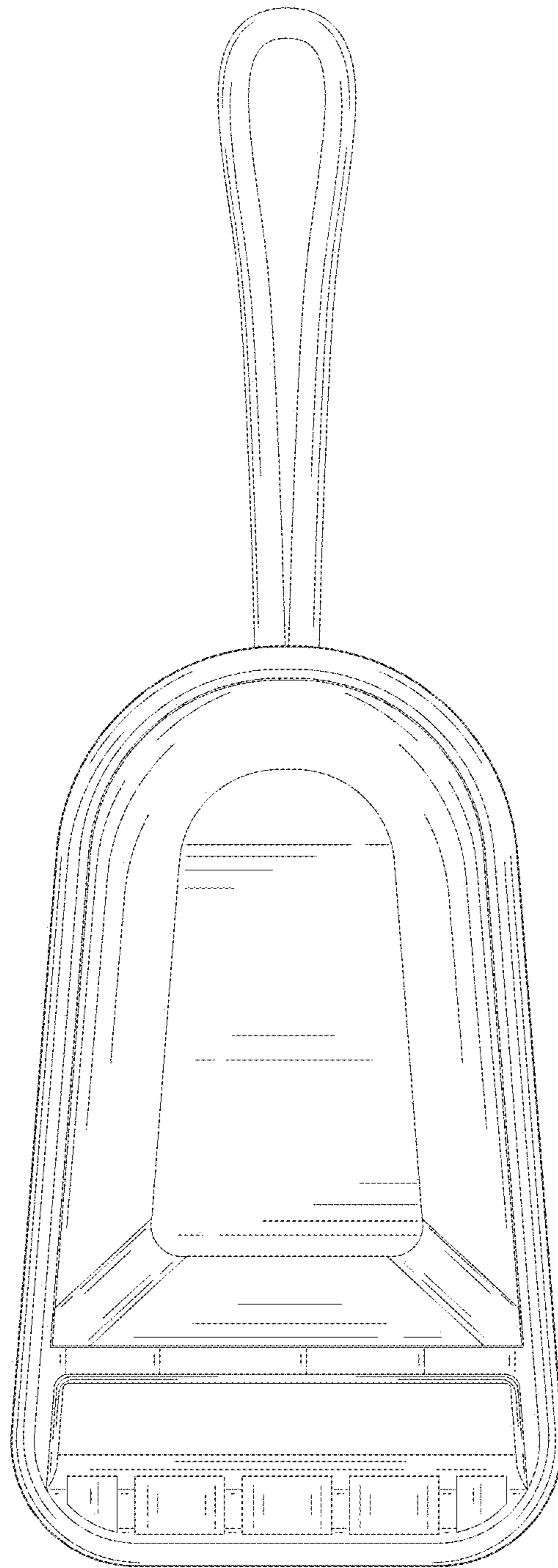


FIG. 4

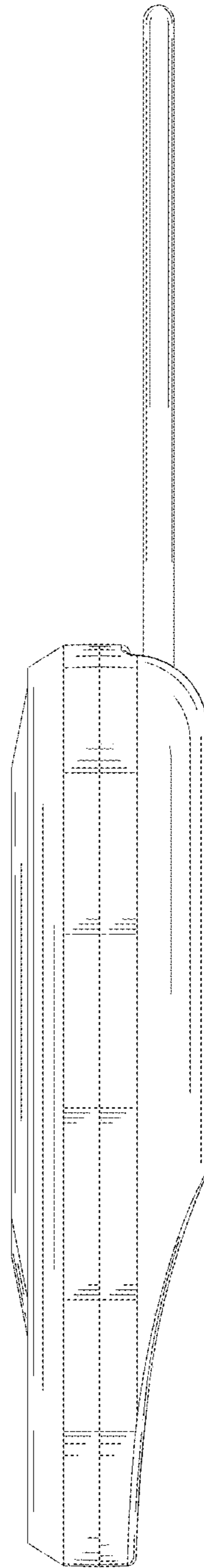


FIG. 5

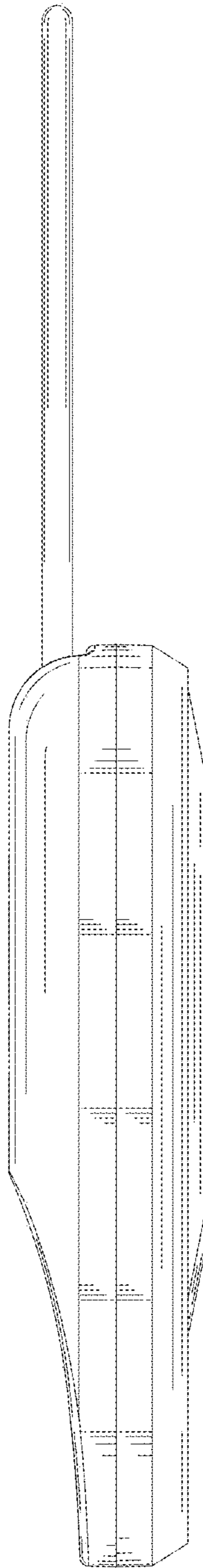


FIG. 6

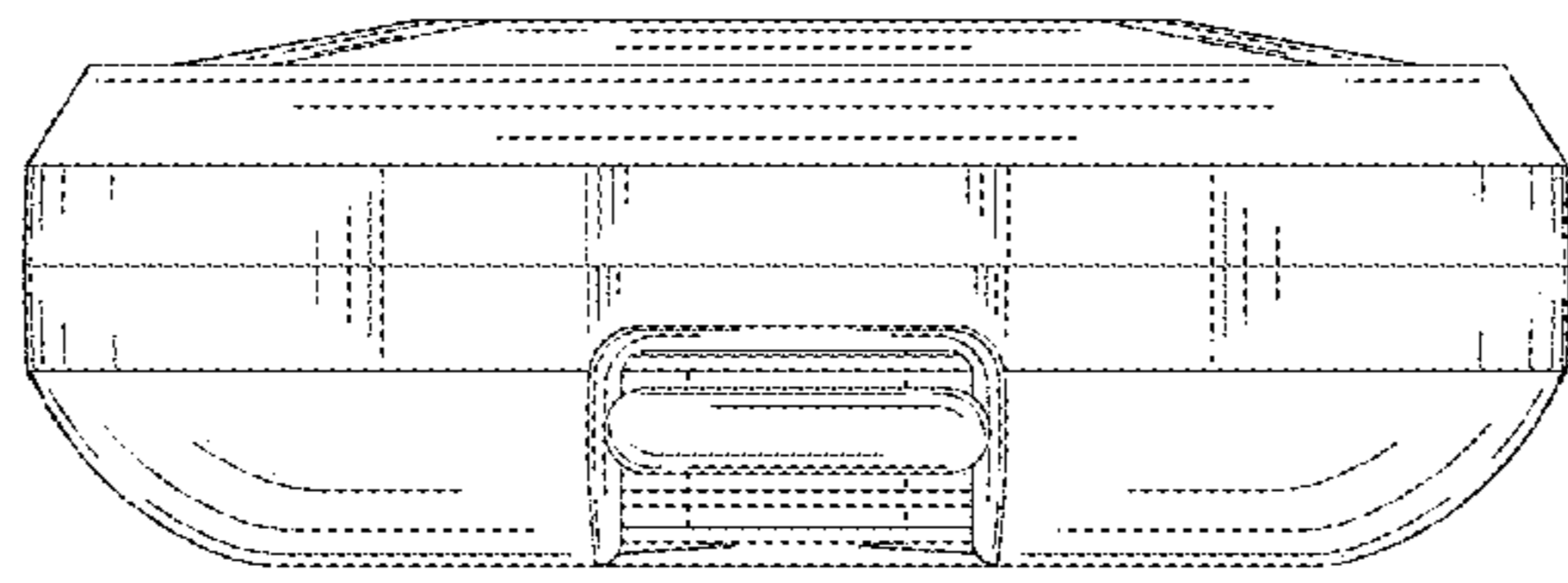


FIG. 7



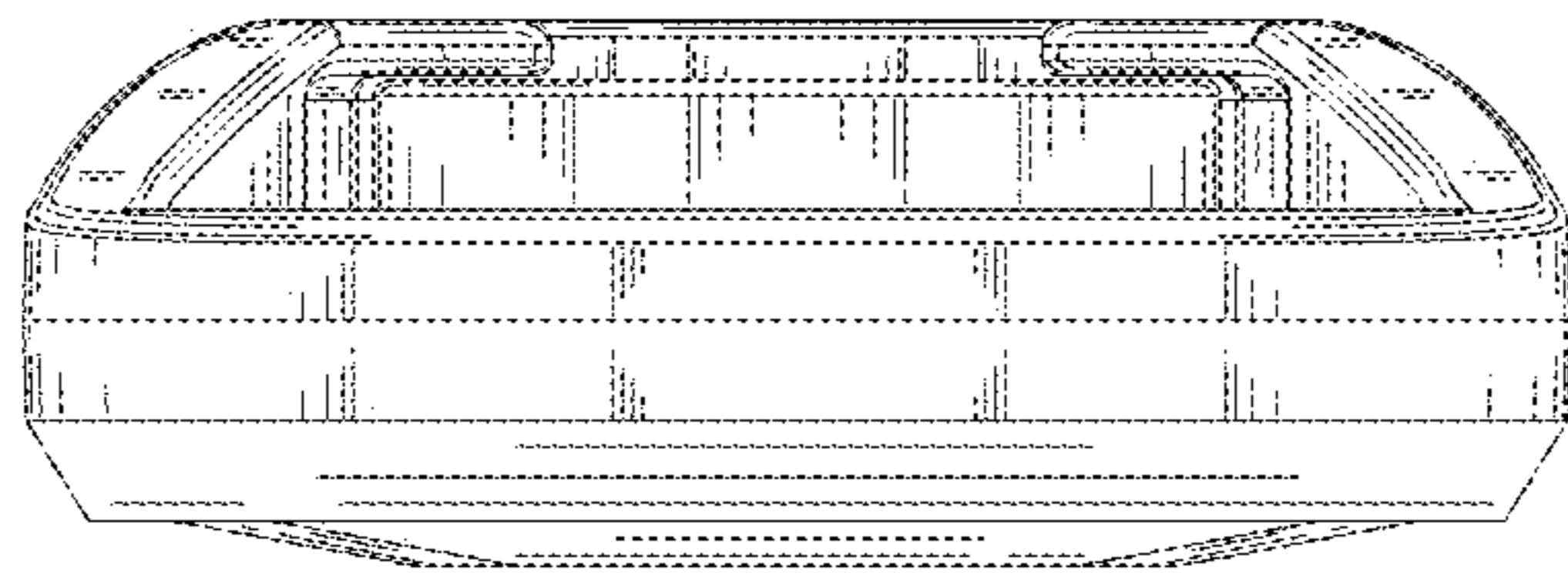


FIG. 8