



US0D1019324S

(12) **United States Design Patent**  
**Dockery et al.**

(10) **Patent No.:** **US D1,019,324 S**

(45) **Date of Patent:** **\*\* Mar. 26, 2024**

(54) **SCREW DRILL HOLDER**

(71) Applicant: **DOC'S INDUSTRIES**  
**INCORPORATED**, Simi Valley, CA  
(US)

(72) Inventors: **Forrest Dockery**, Simi Valley, CA  
(US); **Ricardo Ochoa**, Simi Valley, CA  
(US)

(73) Assignee: **DOC'S INDUSTRIES**  
**INCORPORATED**, Simi Valley, CA  
(US)

(\*\*) Term: **15 Years**

(21) Appl. No.: **29/815,535**

(22) Filed: **Nov. 15, 2021**

(51) **LOC (14) Cl.** ..... **08-05**

(52) **U.S. Cl.**  
USPC ..... **D8/70**

(58) **Field of Classification Search**  
USPC ..... D8/61, 67-70, 95, 107  
CPC ... B25F 5/02; B25F 5/00; B25B 21/00; B25D  
16/00

See application file for complete search history.

(56) **References Cited**

**U.S. PATENT DOCUMENTS**

- 2,883,891 A \* 4/1959 Robinson ..... B25F 5/003  
408/112
- 2,997,900 A \* 8/1961 Pugsley ..... B25H 1/0021  
408/112
- D246,947 S \* 1/1978 Glover ..... D8/71
- D273,299 S \* 4/1984 Archeskie ..... D15/132
- D277,639 S \* 2/1985 Welliver ..... D8/72
- D572,108 S \* 7/2008 Hughes ..... D8/107
- D619,437 S \* 7/2010 Hattori ..... D8/68
- D656,804 S \* 4/2012 Murray ..... D8/68

- D690,183 S \* 9/2013 Lee ..... D8/107
- D700,487 S \* 3/2014 Deshpande ..... D8/44
- D709,748 S \* 7/2014 Frenken ..... D8/68
- D845,733 S \* 4/2019 Yajima ..... D8/68
- D845,734 S \* 4/2019 Kamijo ..... D8/68
- D937,649 S \* 12/2021 Kachar ..... D8/68
- D947,634 S \* 4/2022 Olmsted ..... D8/67
- D955,197 S \* 6/2022 Mori ..... D8/68
- D986,697 S \* 5/2023 Cyborksi ..... D8/25
- 2017/0203402 A1 \* 7/2017 Machida ..... B01D 46/10

(Continued)

**OTHER PUBLICATIONS**

Overhead Drilling—Overhead Drill Machine, Telescoping Pole Tool—Part# ODM-G2; Doc's Industries; YouTube.com; Nov. 15, 2012; Accessed Aug. 6, 2023; URL:<<https://www.youtube.com/watch?v=x6gaxwRY6F4>> (Year: 2012).\*

*Primary Examiner* — Rachel A. Voorhies

*Assistant Examiner* — Benjamin D. Wannemacher

(74) *Attorney, Agent, or Firm* — Dinsmore & Shohl LLP

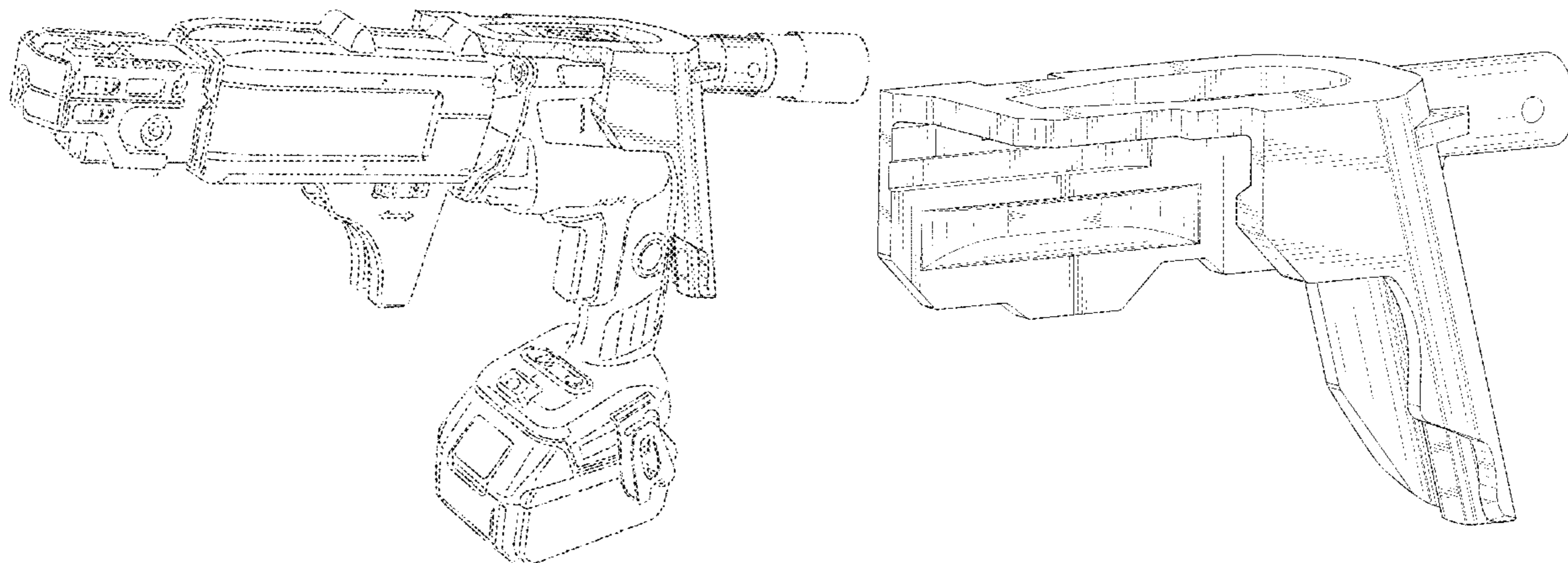
(57) **CLAIM**

The ornamental design for a screw drill holder, as shown and described.

**DESCRIPTION**

FIG. 1 is a perspective view illustrating an embodiment of a screw drill holder positioned on a screw drill; FIG. 2 is a left side elevation view of the screw drill holder; FIG. 3 is a right side elevation view of the screw drill holder; FIG. 4 is a front elevation view of the screw drill holder; FIG. 5 is a rear elevation view of the screw drill holder; FIG. 6 is a top plan view of the screw drill holder; FIG. 7 is a bottom plan view of the screw drill holder; and, FIG. 8 is a perspective plan view of the screw drill holder. The broken lines in the drawings depict environment that forms no part of the claimed design.

**1 Claim, 5 Drawing Sheets**



(56)

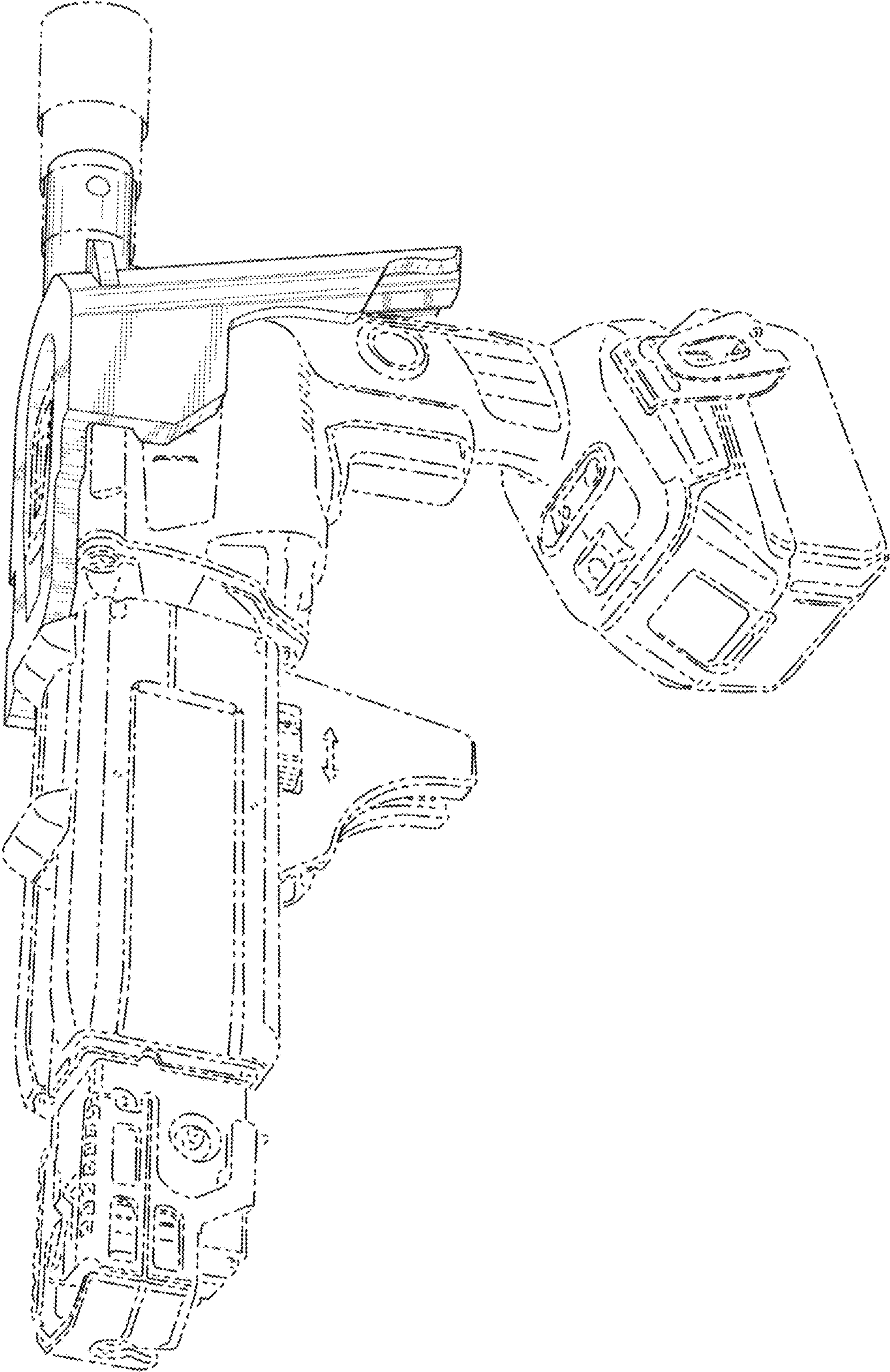
**References Cited**

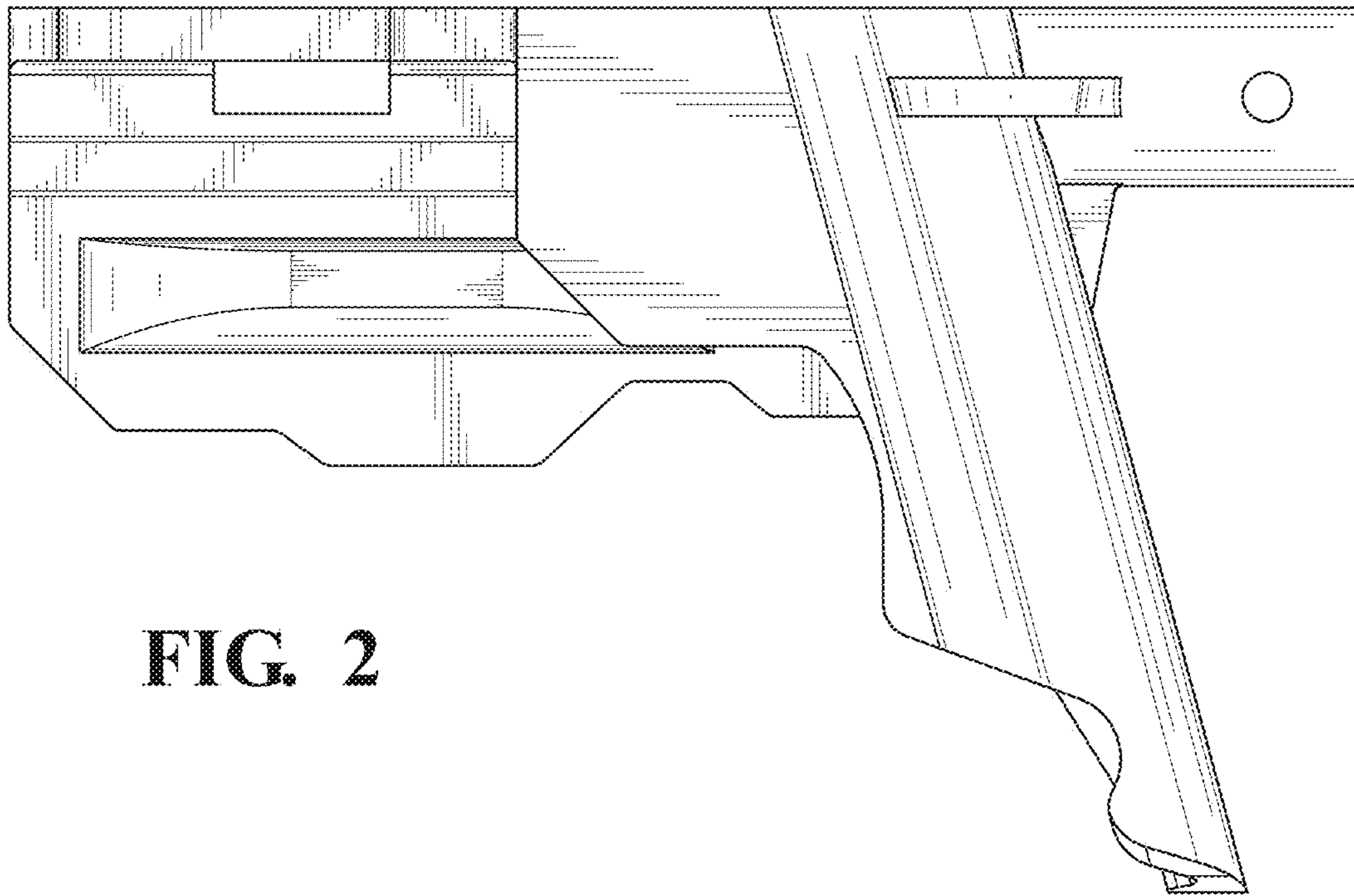
U.S. PATENT DOCUMENTS

2022/0395971 A1\* 12/2022 Iida ..... B25D 17/043  
2023/0107745 A1\* 4/2023 Shima ..... B25B 23/147  
173/176  
2023/0234146 A1\* 7/2023 Wang ..... B23B 45/02  
173/217

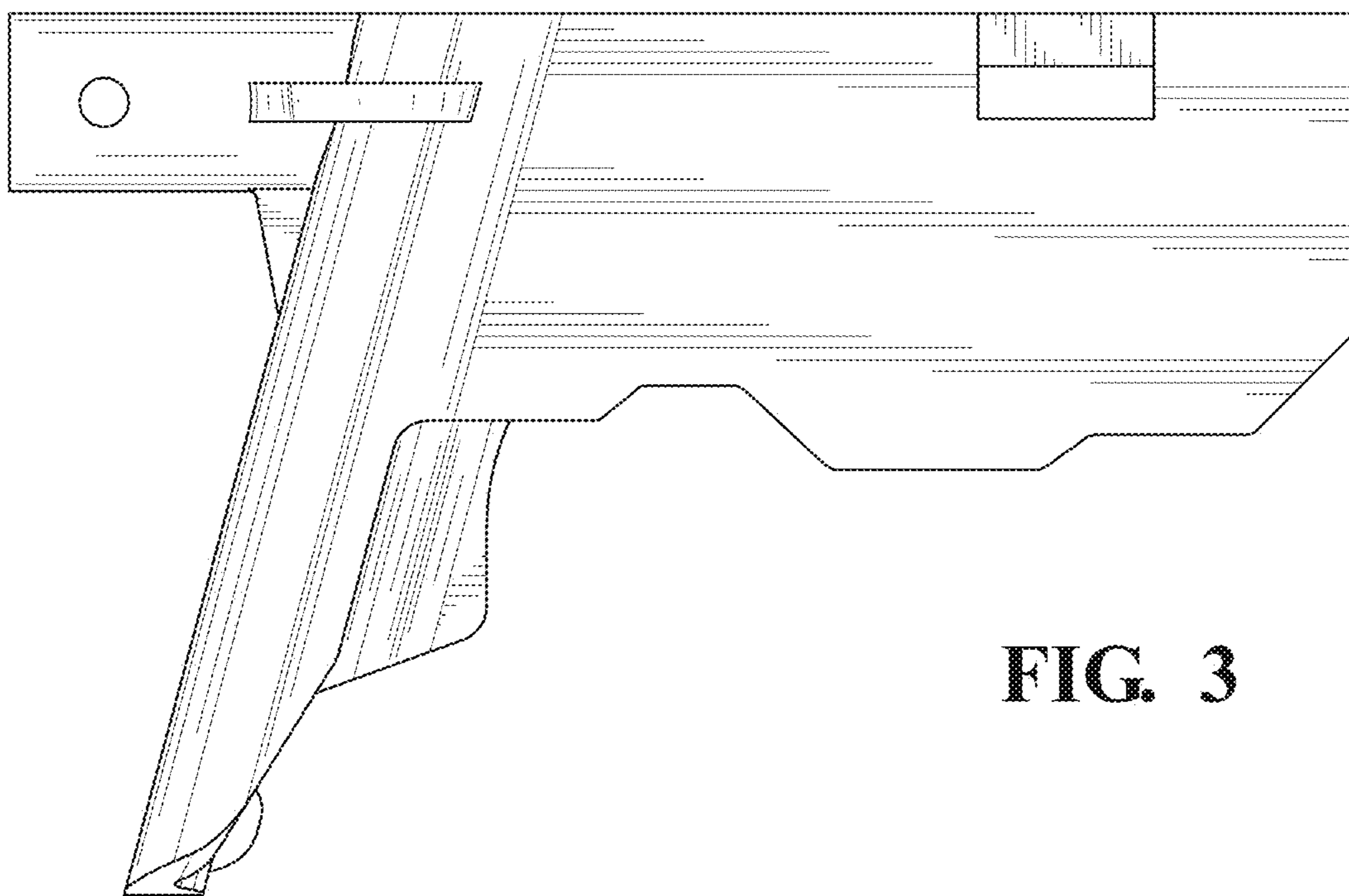
\* cited by examiner

FIG. 1

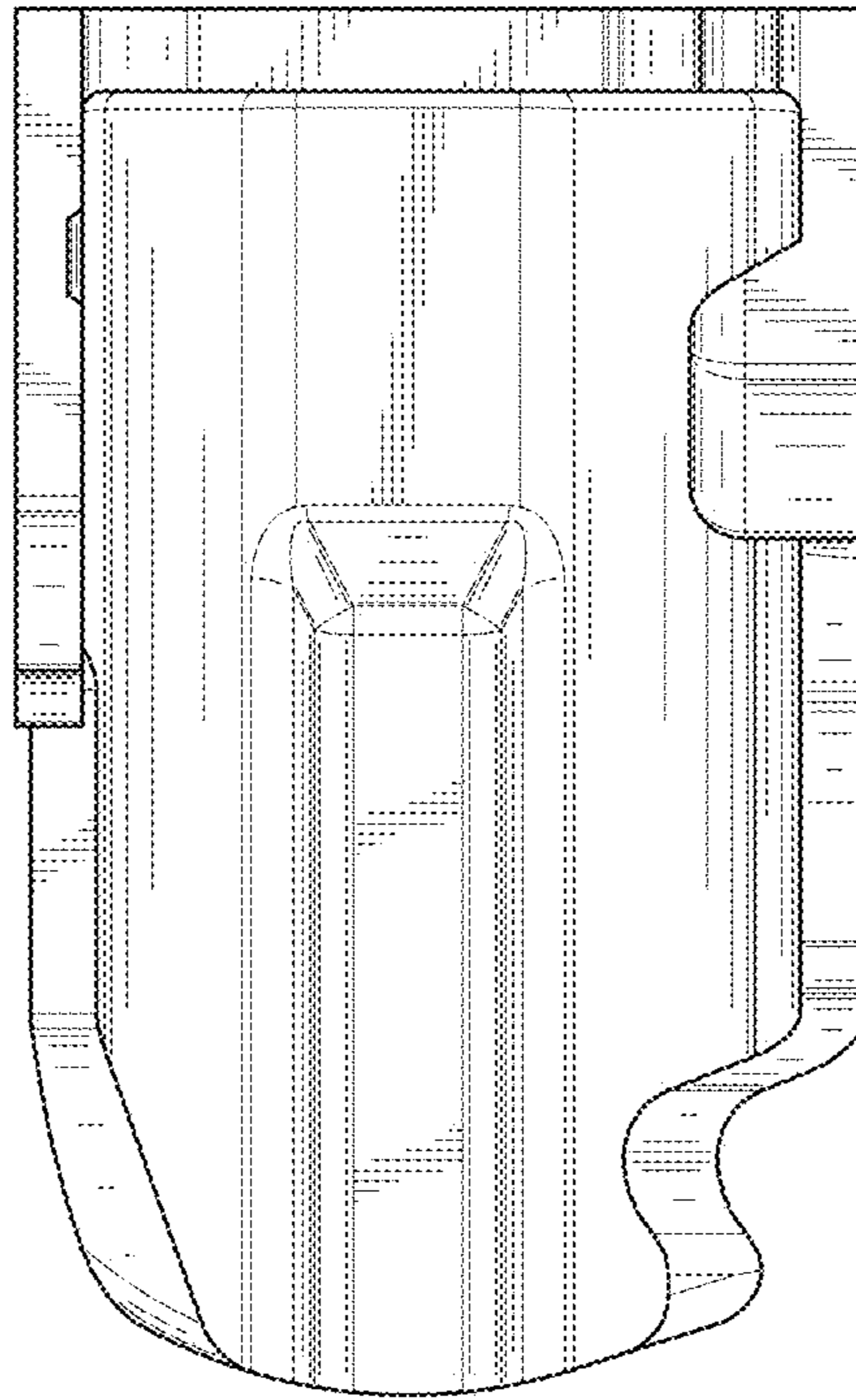




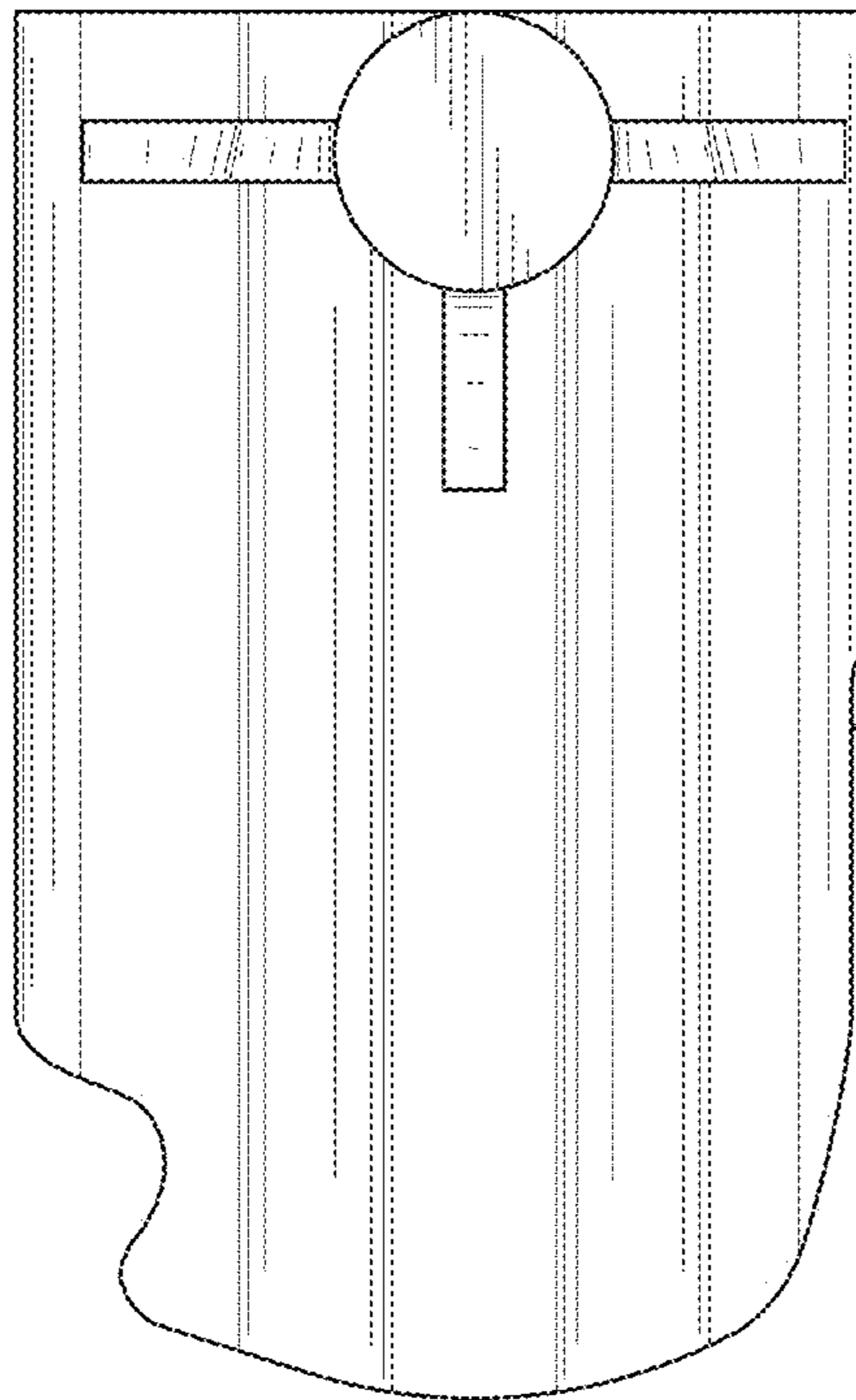
**FIG. 2**



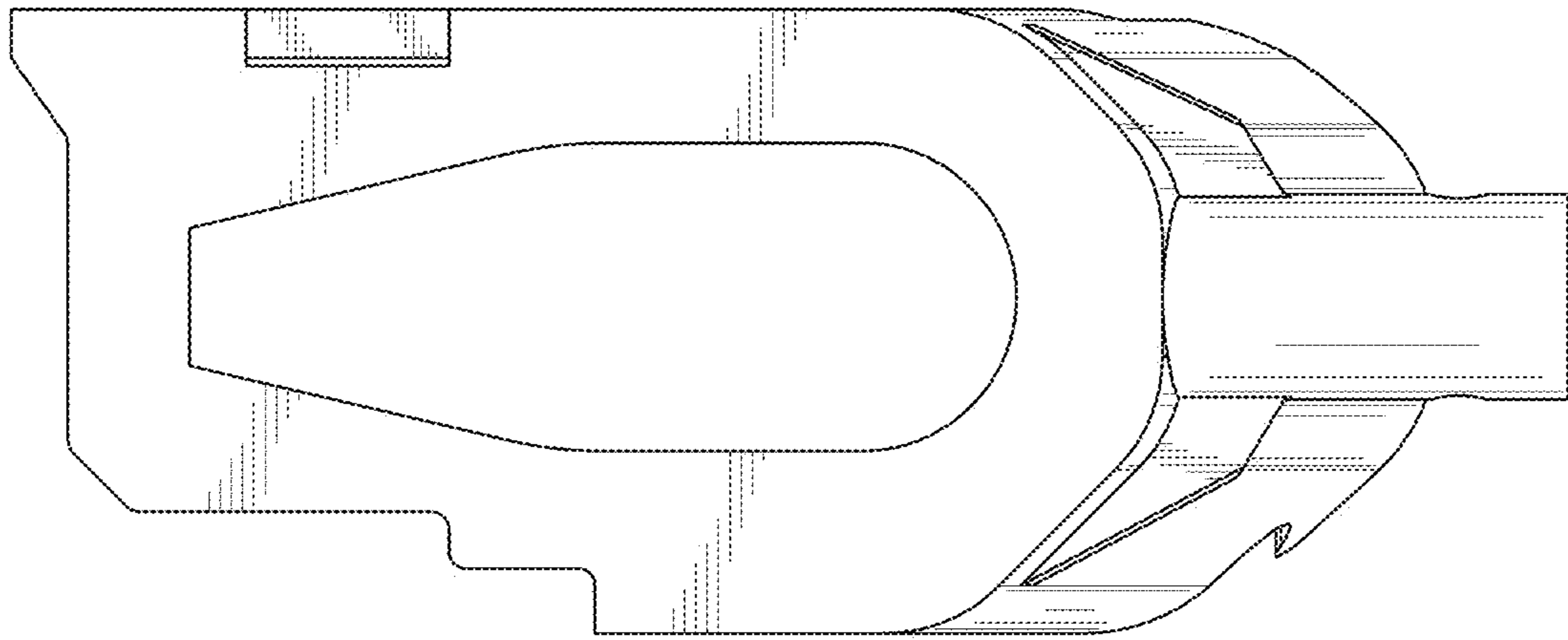
**FIG. 3**



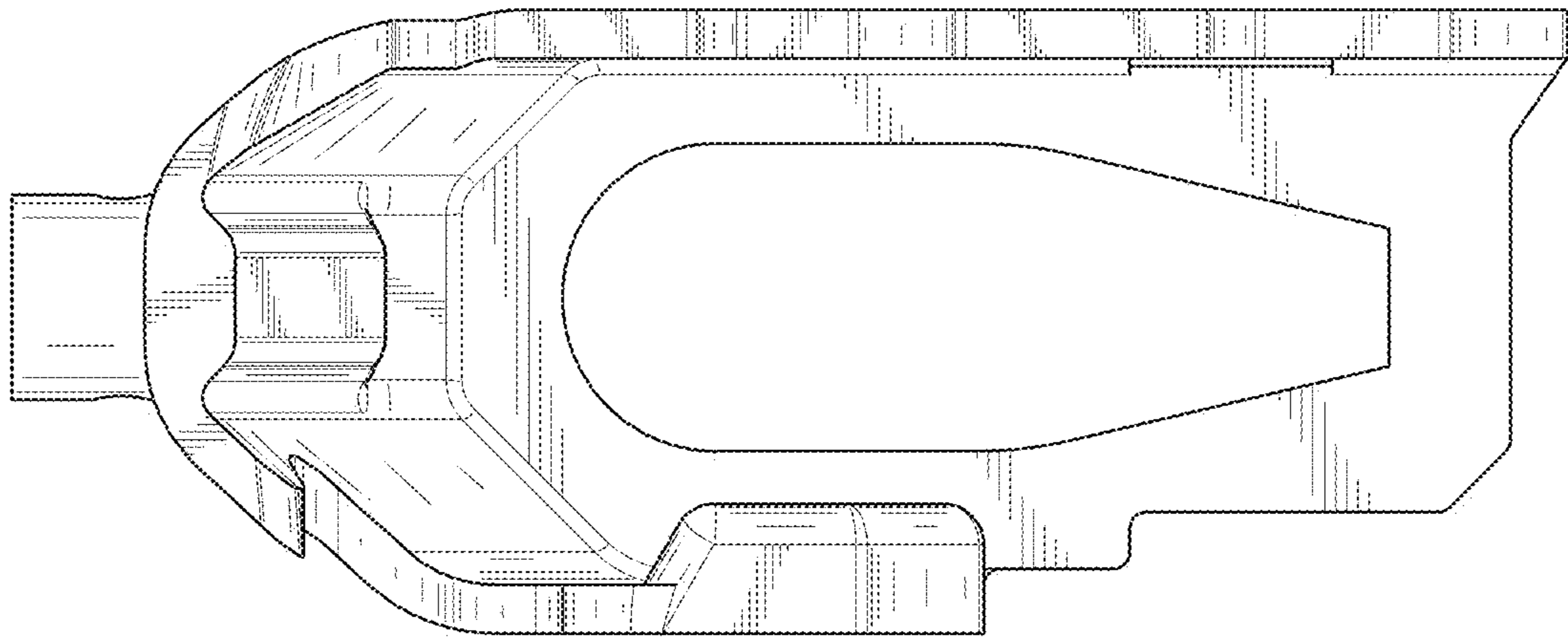
**FIG. 4**



**FIG. 5**



**FIG. 6**



**FIG. 7**

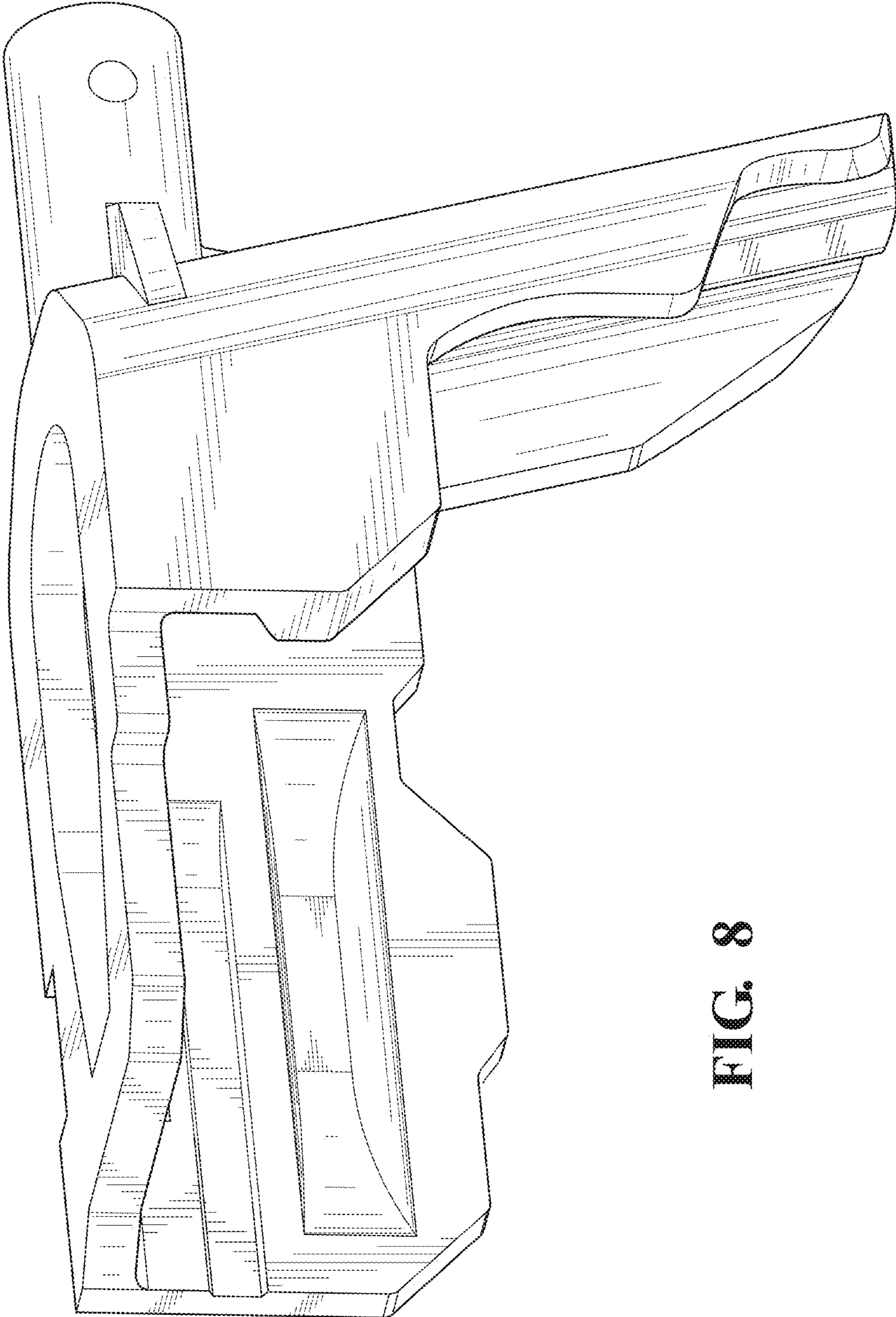


FIG. 8