



US0D1019228S

(12) **United States Design Patent** (10) **Patent No.:** **US D1,019,228 S**  
**Chen** (45) **Date of Patent:** **\*\* Mar. 26, 2024**

(54) **CAR SEAT COVER FOR BABY**

(71) Applicant: **Lianyungang Wilston Child Products Co., Ltd**, Lianyungang (CN)

(72) Inventor: **Shixuan Chen**, Shanghai (CN)

(73) Assignee: **Lianyungang Wilston Child Products Co., Ltd**, Lianyungang (CN)

(\*\*) Term: **15 Years**

(21) Appl. No.: **29/880,335**

(22) Filed: **Jul. 20, 2023**

(51) **LOC (14) Cl.** ..... **06-13**

(52) **U.S. Cl.**  
USPC ..... **D6/715.2; D6/611**

(58) **Field of Classification Search**  
USPC ..... D2/718, 719, 823; D6/333, 611, 715, D6/715.2, 718, 719; D21/834, 837, 838  
CPC .. A47C 7/62; A47C 7/66; A47C 29/00; A47C 31/00; A47D 15/00; B60N 2/2854; B60N 2/6009

See application file for complete search history.

(56) **References Cited**

**U.S. PATENT DOCUMENTS**

D384,188 S *	9/1997	Imm	.....	D2/718
D395,372 S *	6/1998	Simpson	.....	D6/611
D402,152 S *	12/1998	Seats	.....	D6/333
D433,851 S *	11/2000	Roh	.....	D6/333
D530,559 S *	10/2006	Fails	.....	D6/611
D546,108 S *	7/2007	Heiman-Philpott	.....	D6/611
D559,022 S *	1/2008	Morales Cabello	.....	D6/611
D562,612 S *	2/2008	Simpson	.....	D6/611
D601,845 S *	10/2009	Pierce	.....	D6/611
D671,785 S *	12/2012	Ouellette	.....	D6/611

(Continued)

**FOREIGN PATENT DOCUMENTS**

KR 301186943.0000 \* 10/2022

**OTHER PUBLICATIONS**

Dodo Nici: Carseat Cover for Baby, Baby car seat Covers for Infant car seat, Baby Carrier Cover Canopy, Window in Door Zipper Open, 2 Layers, Grey Cloud; . . . <https://a.co/d/5tzyYsu>, Dec. 18, 2022 (Year: 2022).\*

(Continued)

*Primary Examiner* — Jennifer L Rempfer

*Assistant Examiner* — Bethany Louise Mallino

(74) *Attorney, Agent, or Firm* — Nitin Kaushik

(57) **CLAIM**

The ornamental design for a car seat cover for baby, as shown and described.

**DESCRIPTION**

FIG. 1 is a front perspective view of a car seat cover for baby, showing my new design;

FIG. 2 is a rear perspective view thereof;

FIG. 3 is a front view thereof;

FIG. 4 is a rear view thereof;

FIG. 5 is a left side view thereof;

FIG. 6 is a right side view thereof;

FIG. 7 is a top view thereof;

FIG. 8 is a bottom view thereof;

FIG. 9 is a configuration with the small flap open;

FIG. 10 is a configuration with the large open flap open; and,

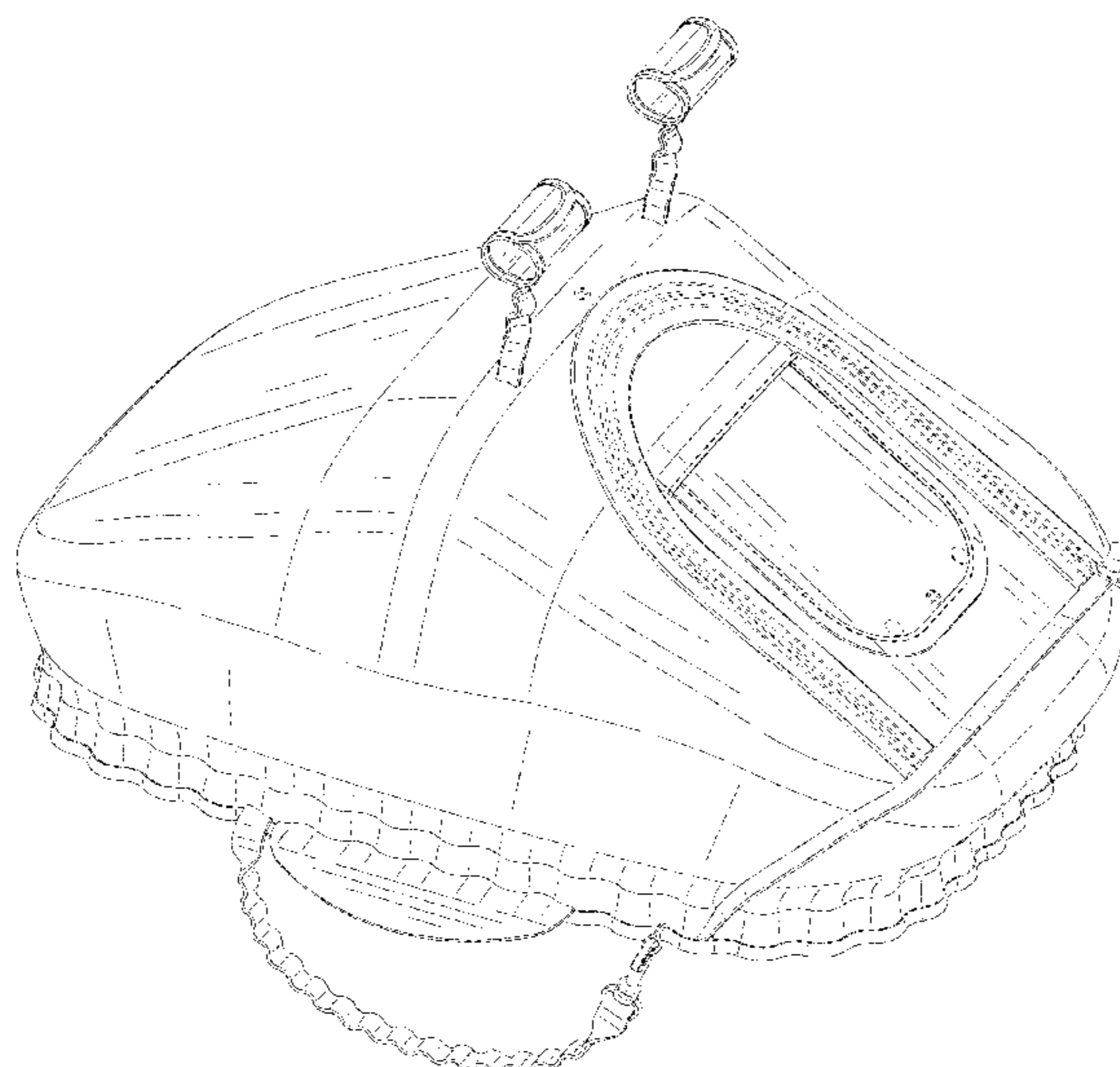
FIG. 11 is an enlarged detail view of area 11 in FIG. 2.

The thin broken lines in the drawings illustrate the portions of the car seat cover for baby, which form no part of the claimed design.

The thick broken lines representing stitching are part of the claimed design.

The dash-dot-dash broken lines encircling the enlarged views are for annotative purposes only and form no part of the claim thereof.

**1 Claim, 11 Drawing Sheets**



(56)

**References Cited**

U.S. PATENT DOCUMENTS

D691,834 S \* 10/2013 Bourgoin ..... D6/611  
D992,324 S 7/2023 Chen

OTHER PUBLICATIONS

USPTO Trademark Electronic Search, Found Aug. 23, 2003 (Year: 2023).\*

Bristin Baby Car Seat Canopy Stroller Covers for Infant Boy and Girl Babies Stretchy and Kick Proof with Net Multi Use Soft and Breathable (Teal) <https://a.co/d/eFHJsOg>, Customer Review: Nov. 29, 2021 (Year: 2021).\*

Ouamvh Baby Car Seat Cover, Infant Carseat Canopy with 2 Layers Windows, Carrier Covers for Babies with Breathable Mesh Peep Window, Soft Stroller Cover Shower Gift for Newborn Boys Girls(Dinosaur) <https://a.co/d/82EOthl>, Jun. 28, 2022 (Year: 2022).\*

\* cited by examiner

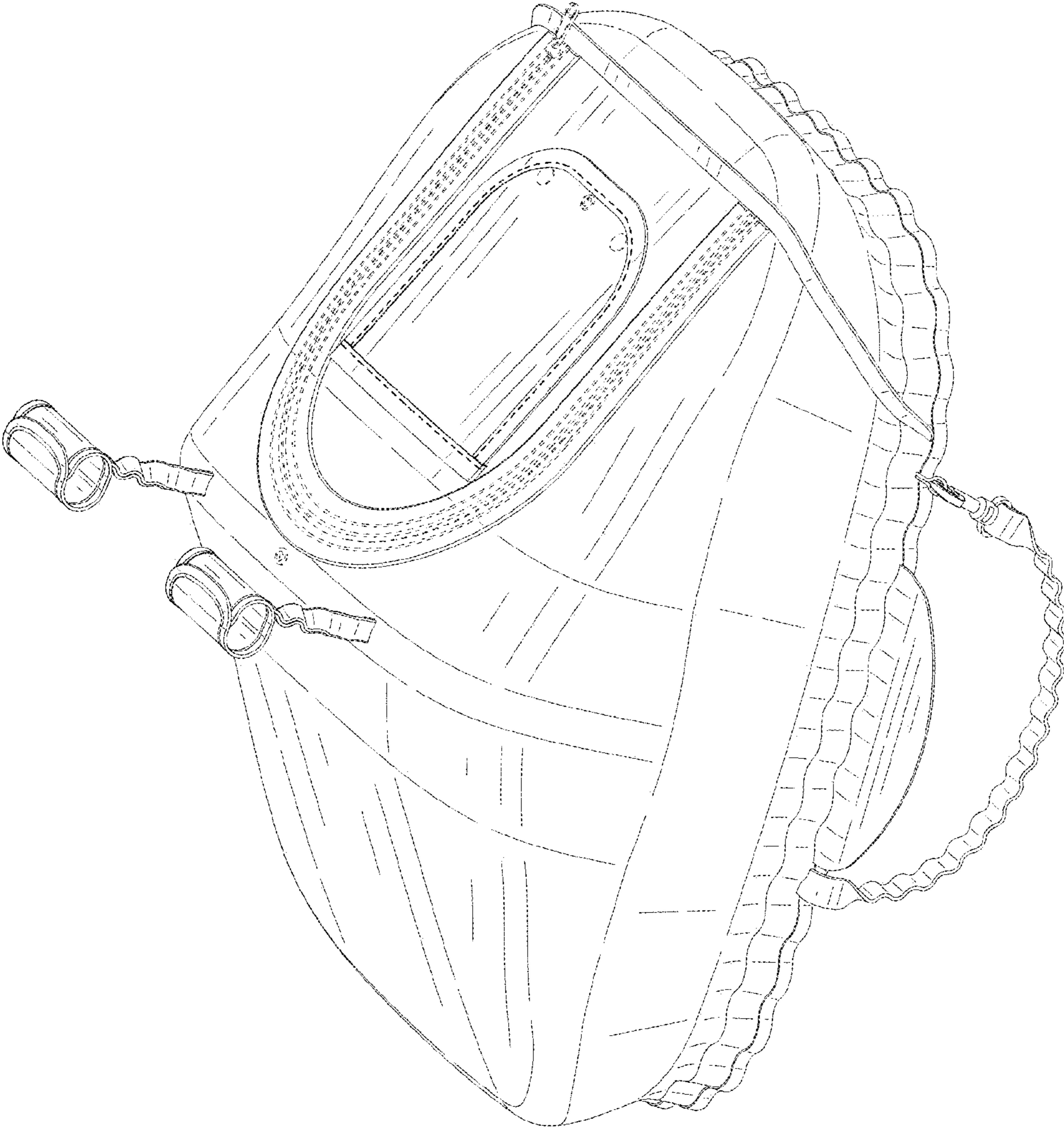


FIG. 1

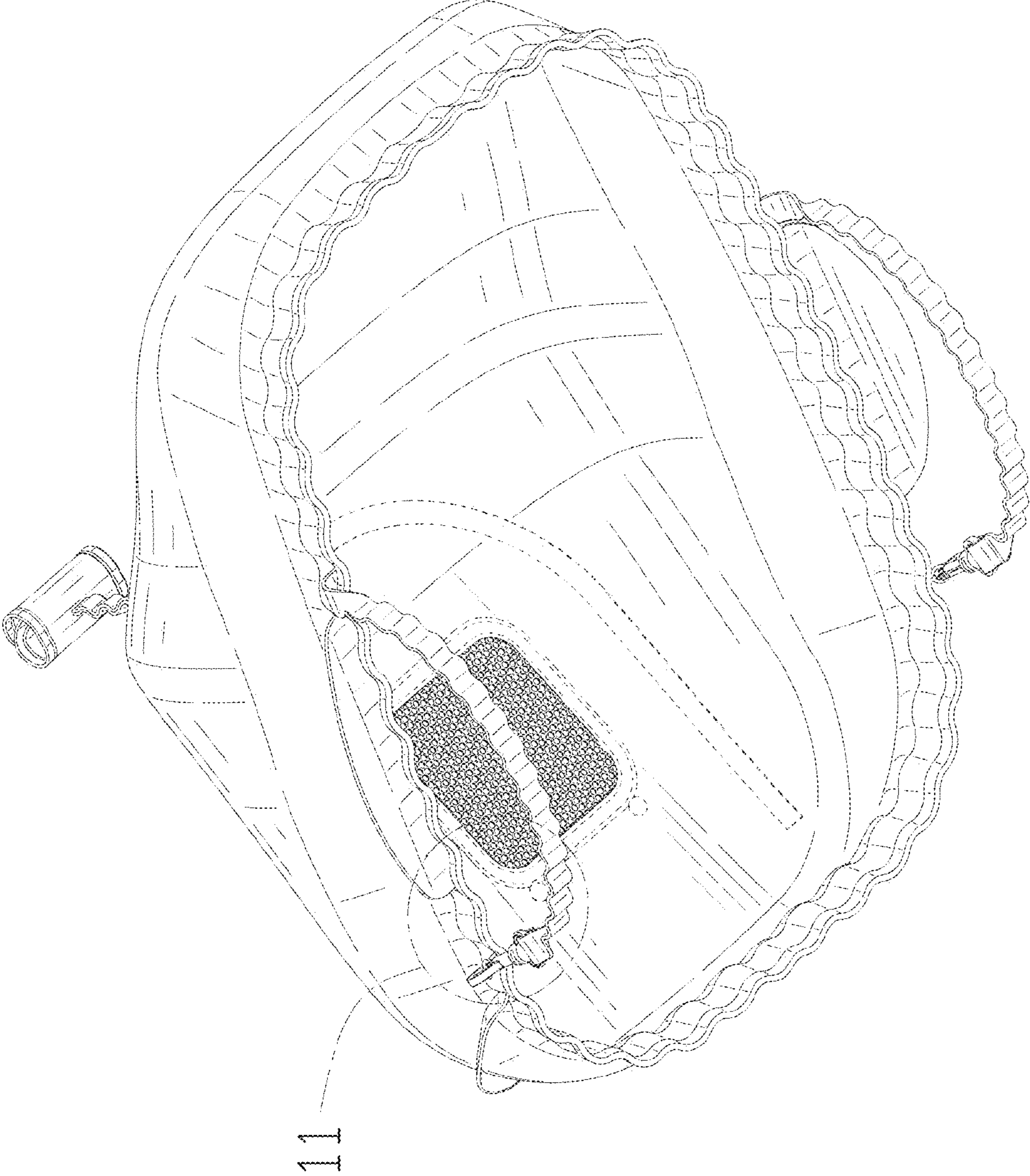


FIG. 2

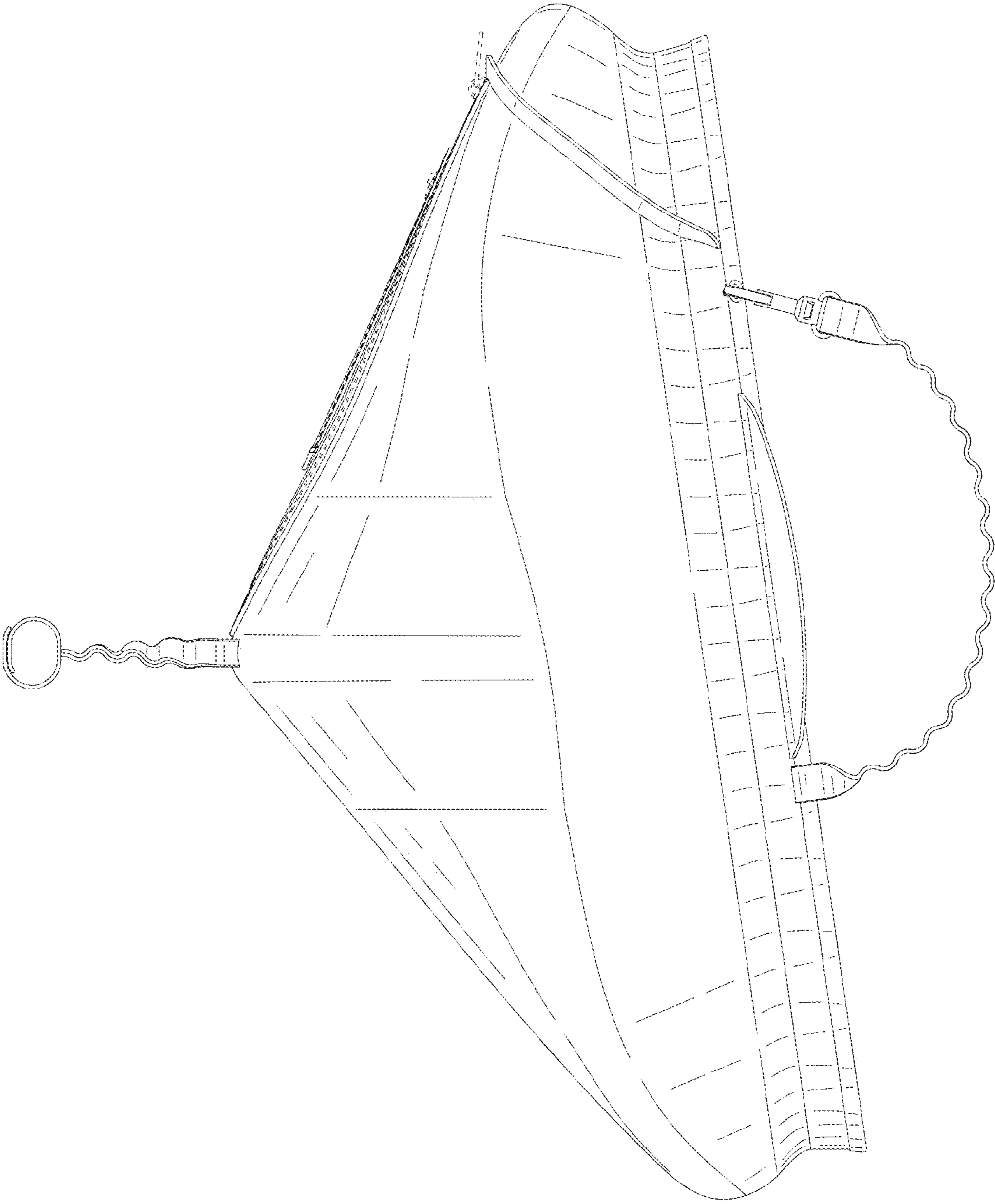


FIG. 3

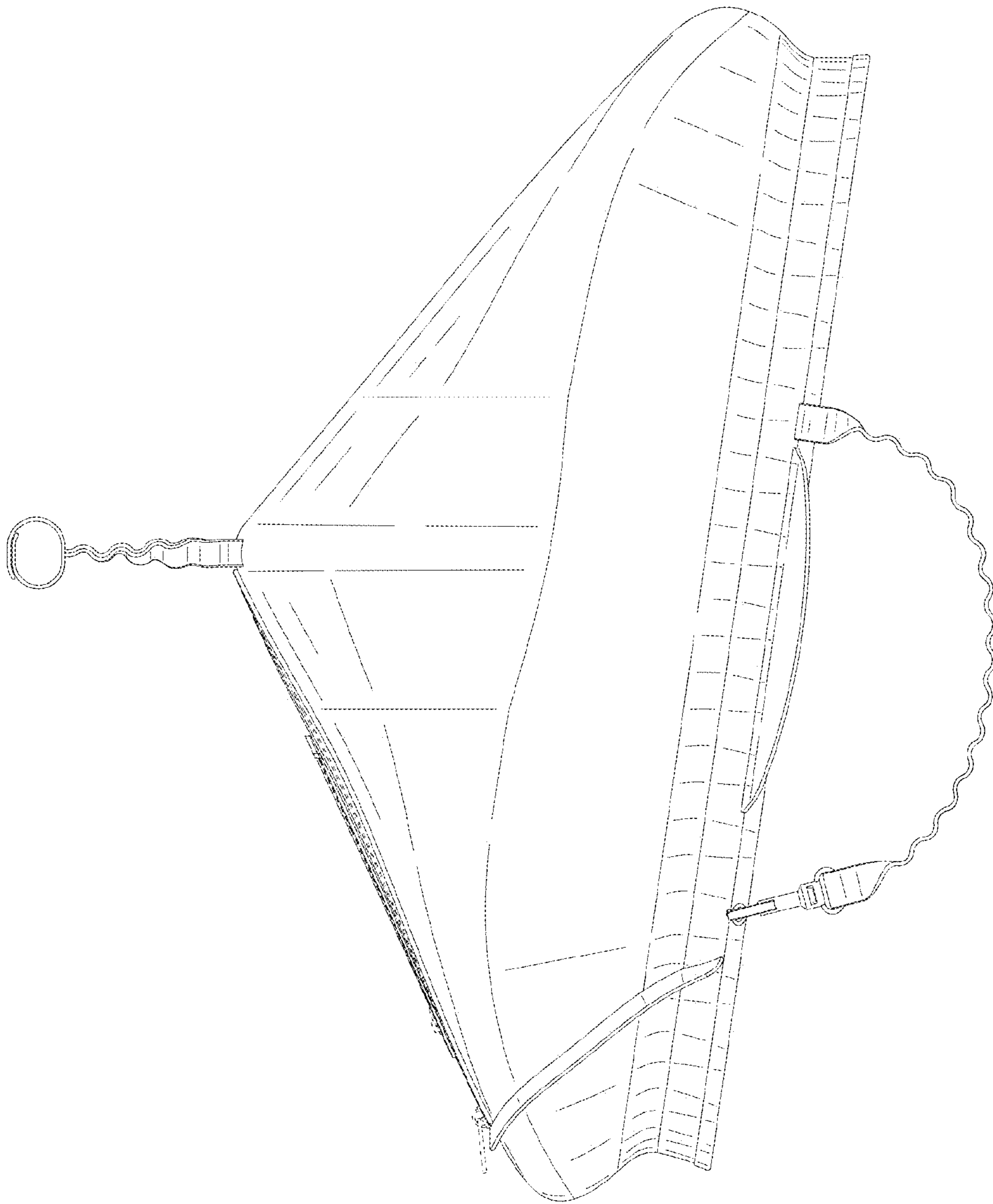


FIG. 4

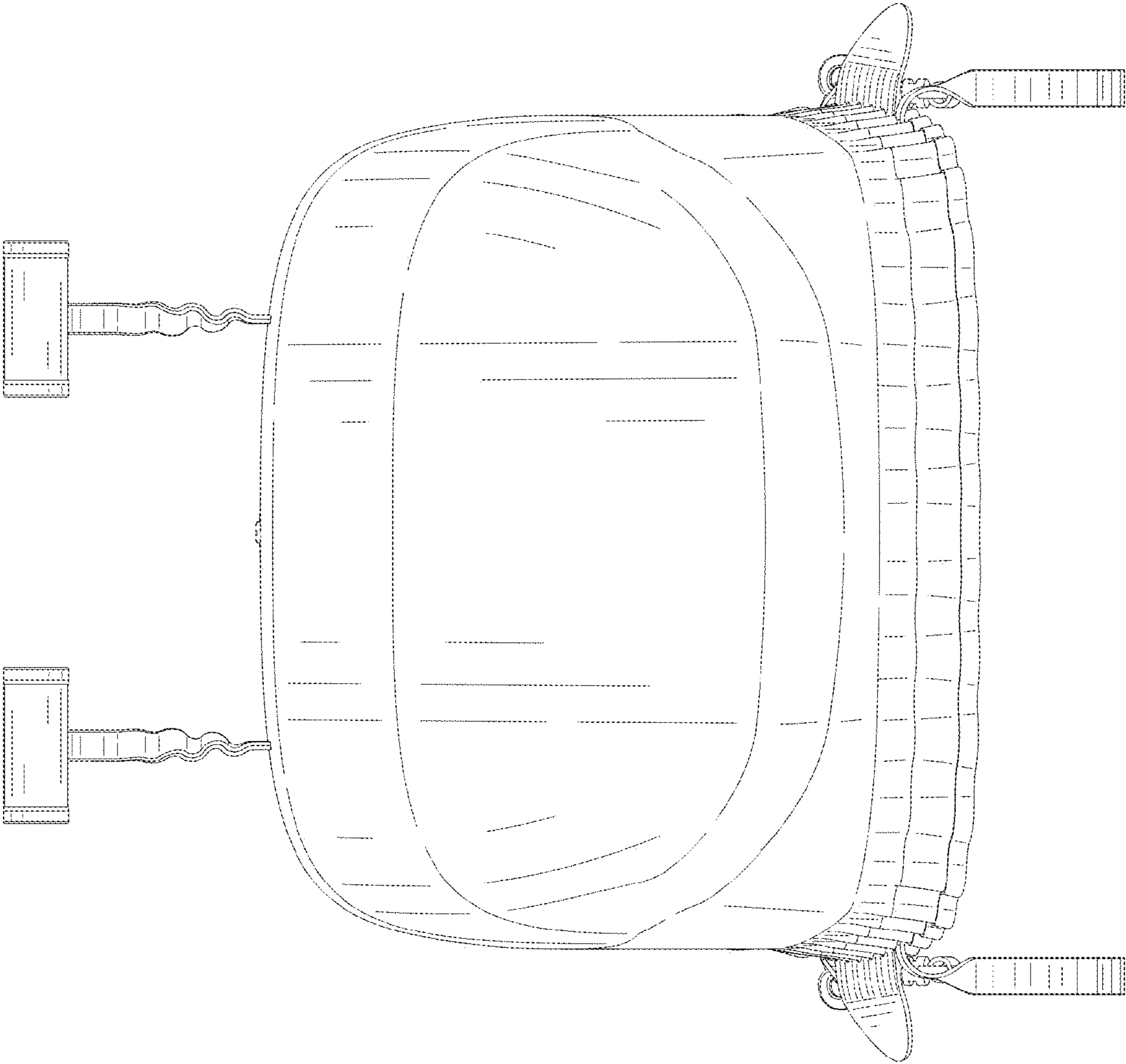


FIG. 5

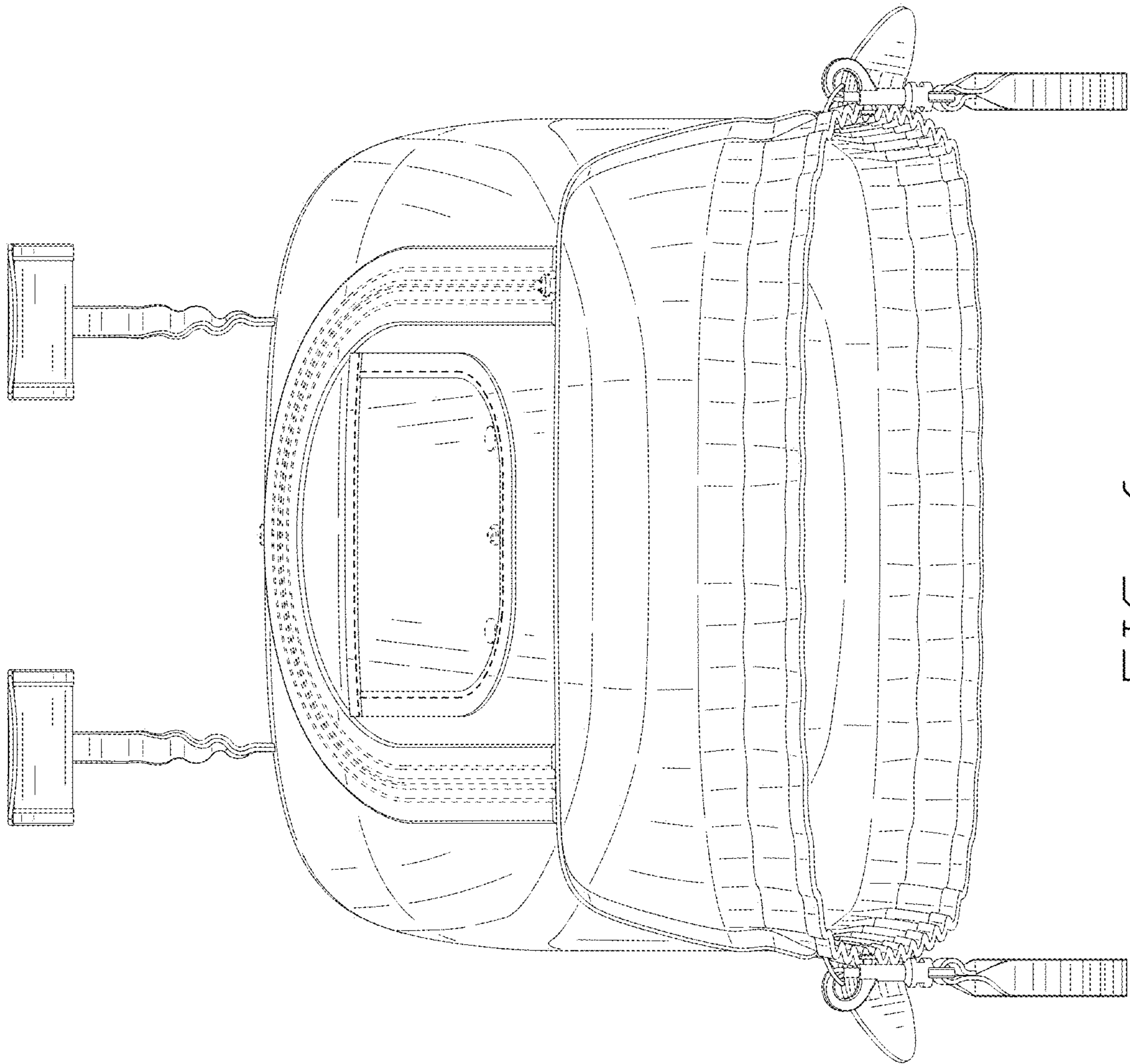


FIG. 6



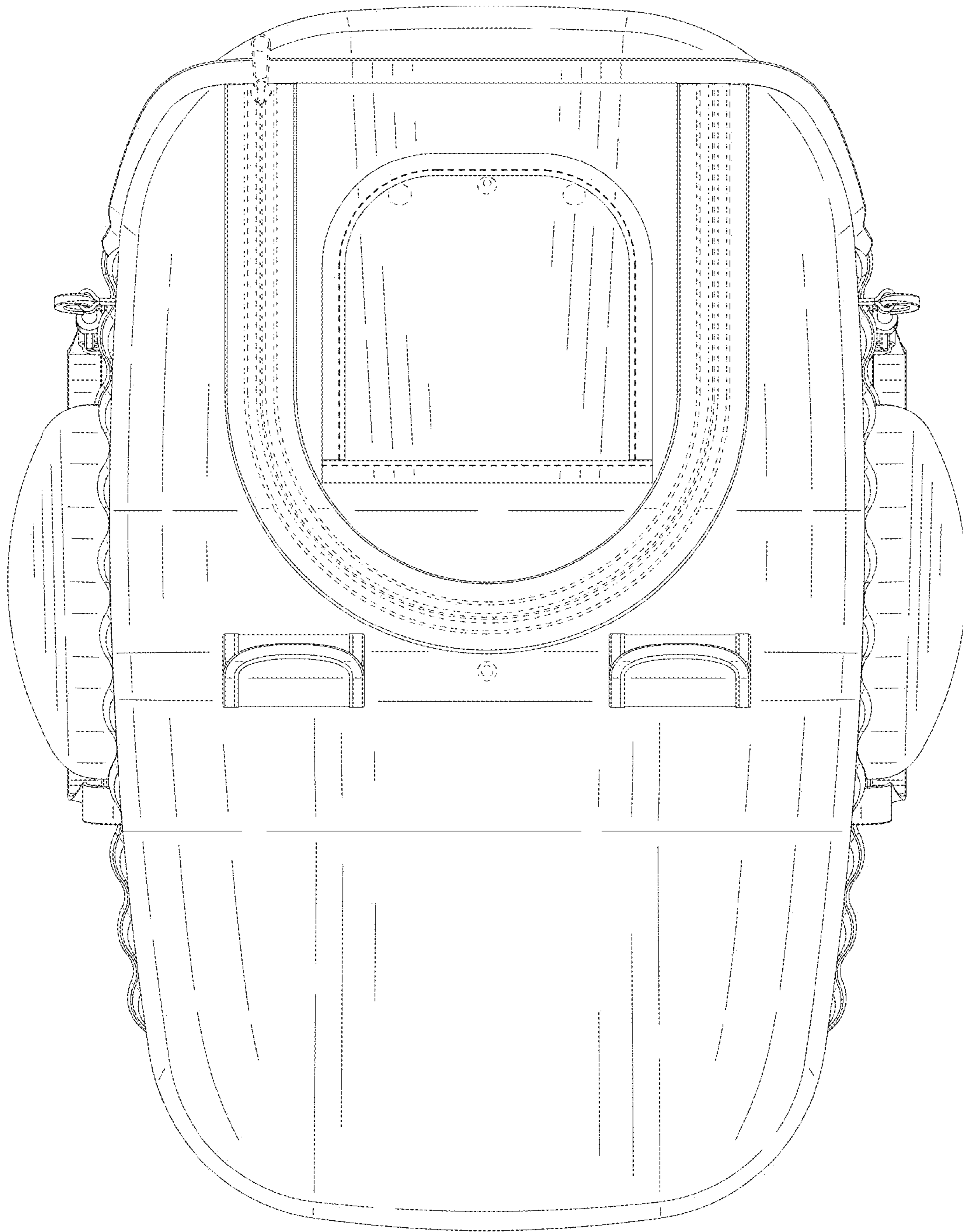


FIG. 7

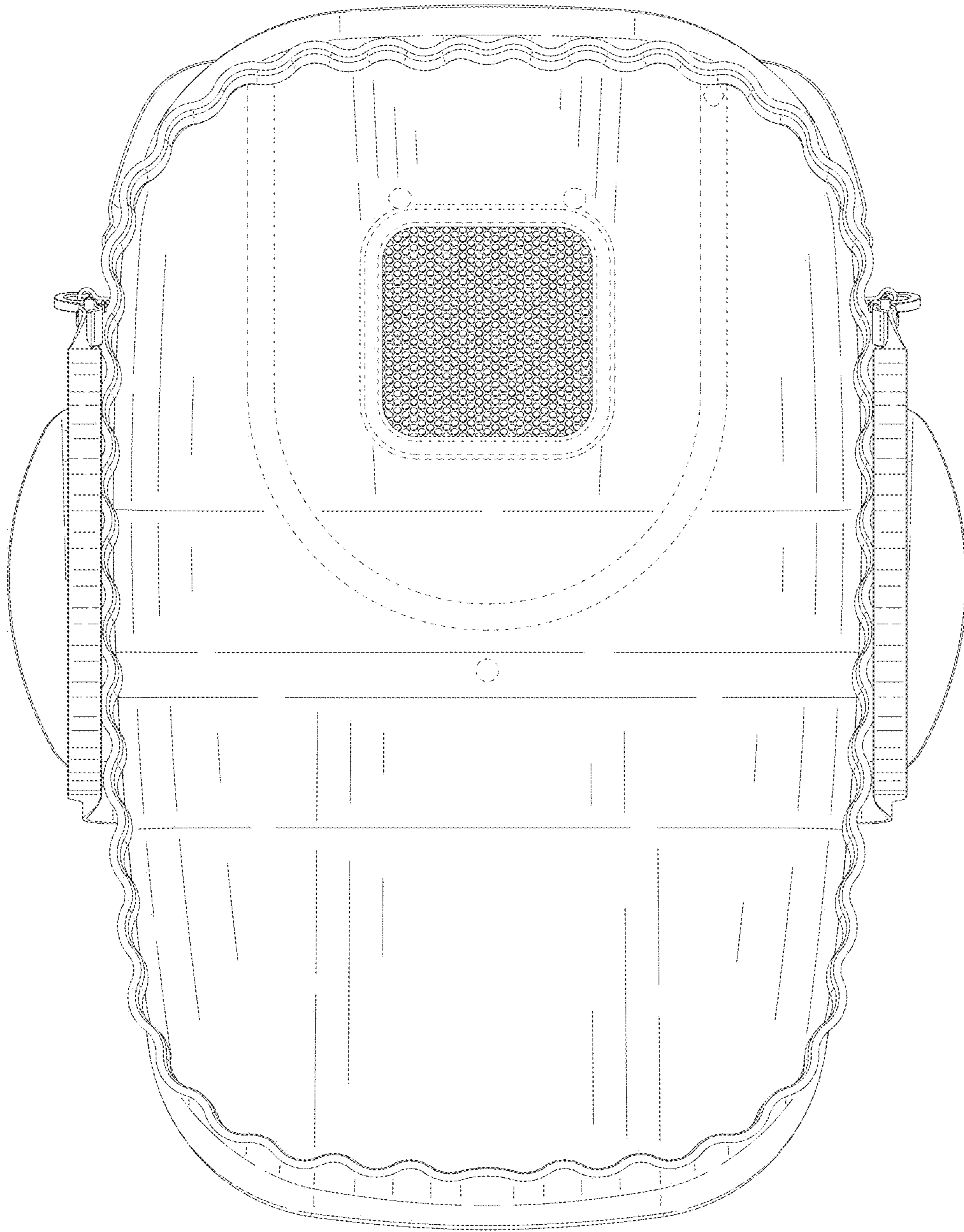


FIG. 8

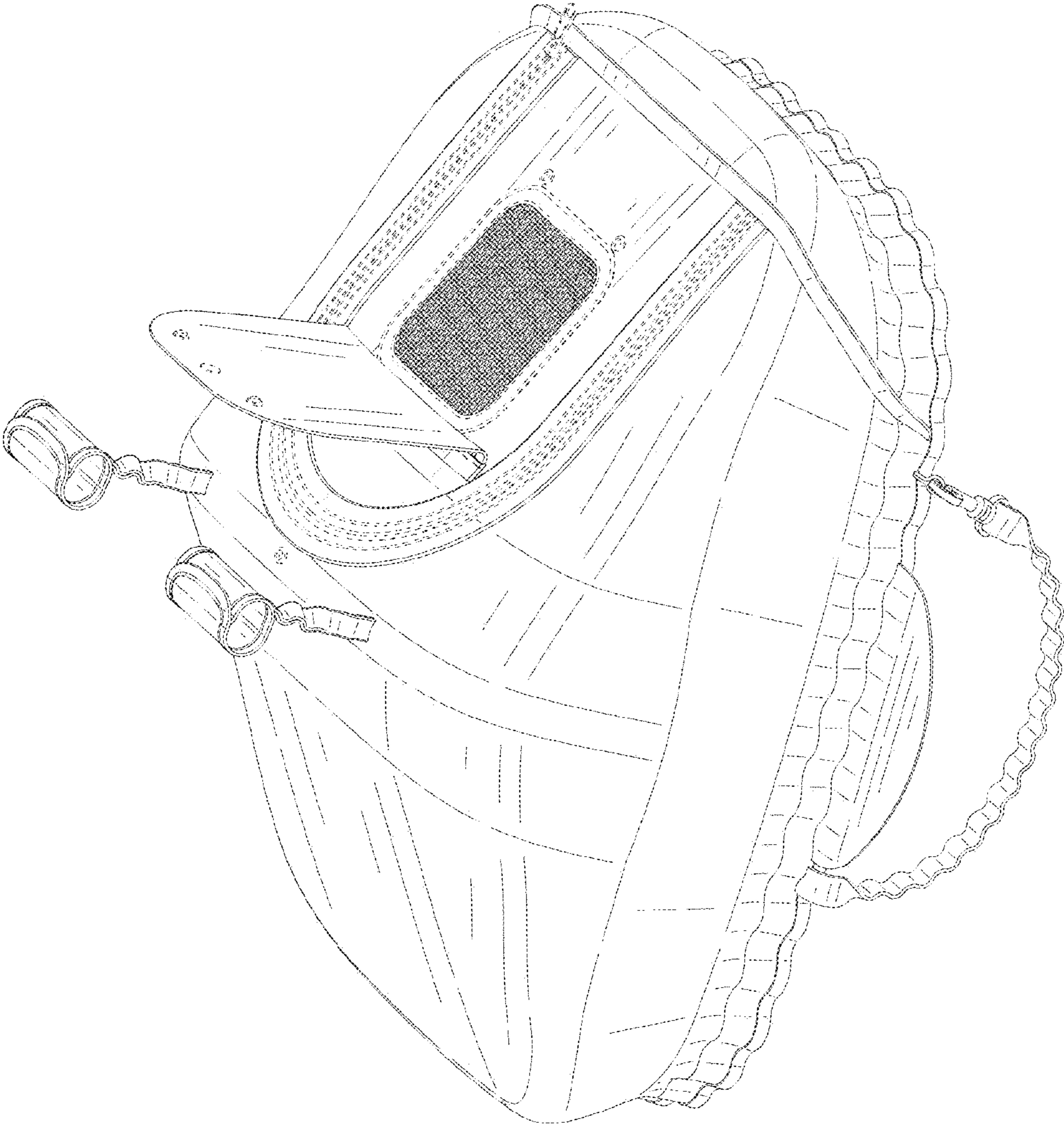


FIG. 9

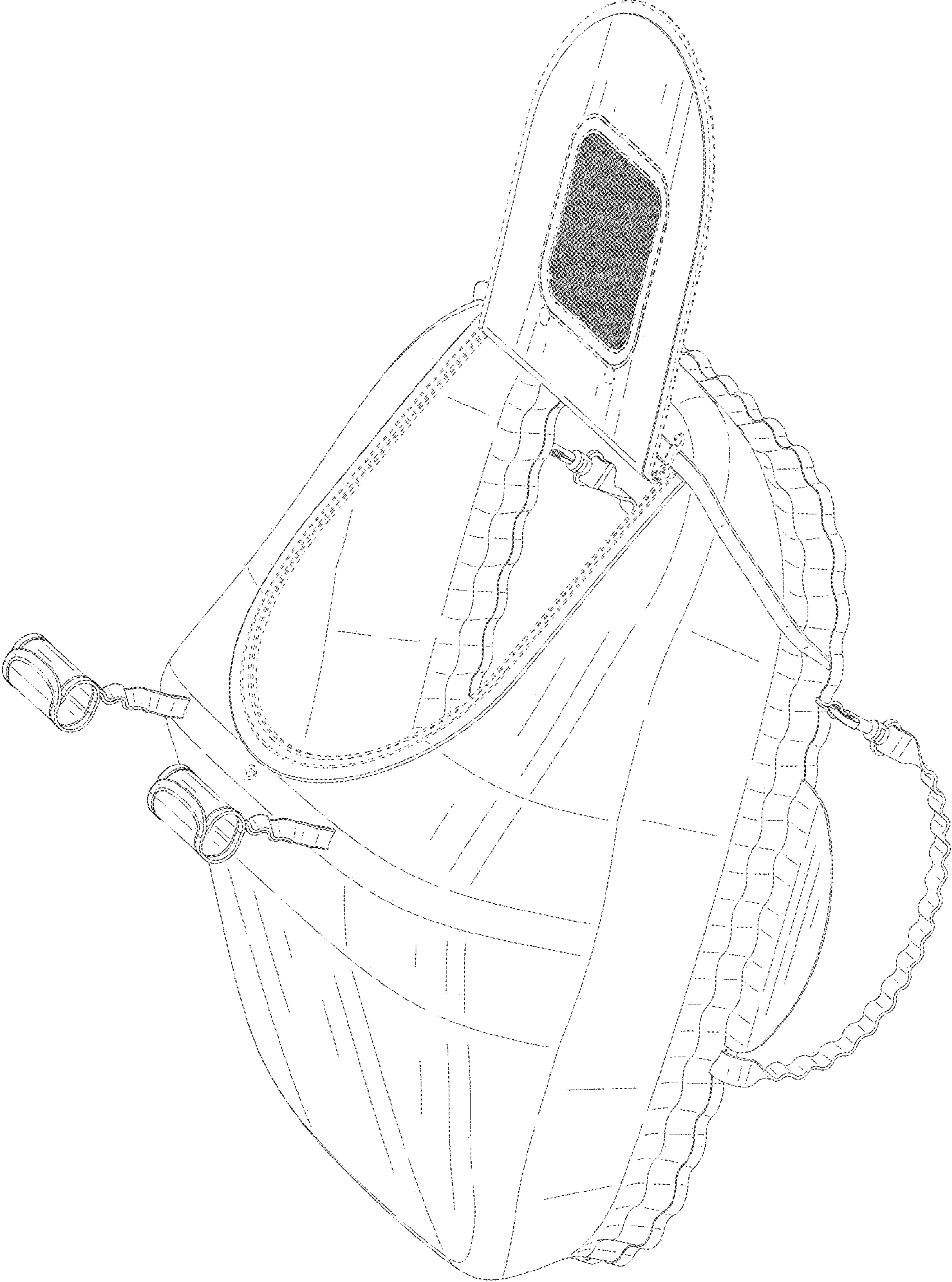


FIG. 10

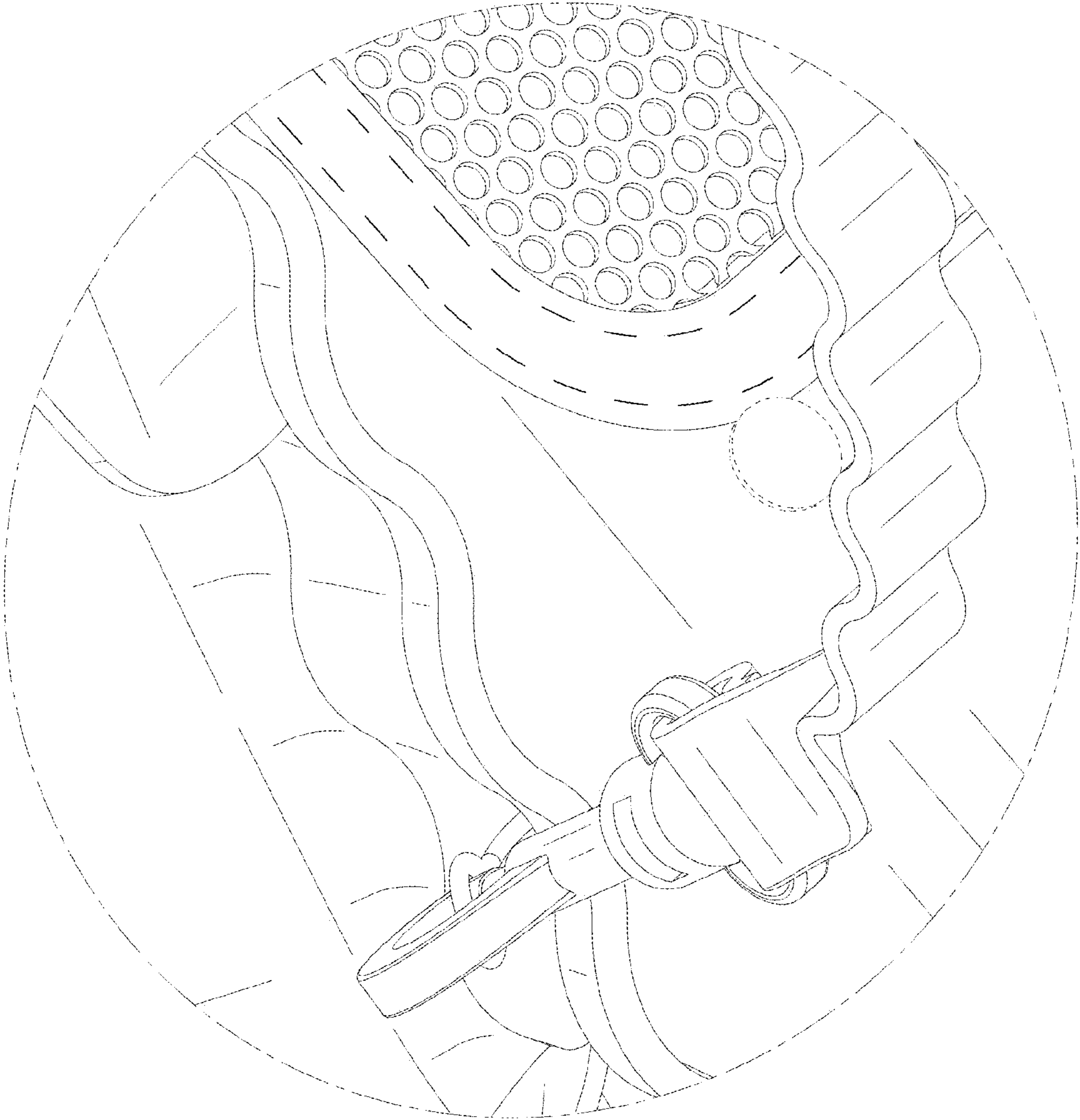


FIG. 11