



US0D1019020S

(12) **United States Design Patent** (10) **Patent No.:** **US D1,019,020 S**
He (45) **Date of Patent:** **** Mar. 19, 2024**

(54) **CAT TREE**

(71) Applicant: **Bingsuo He**, Tianjin (CN)

(72) Inventor: **Bingsuo He**, Tianjin (CN)

(*) Notice: Patent file contains an affidavit/declaration under 37 CFR 1.130(b).

(**) Term: **15 Years**

(21) Appl. No.: **29/895,471**

(22) Filed: **Jun. 21, 2023**

(51) **LOC (14) Cl.** **30-06**

(52) **U.S. Cl.**
USPC **D30/160**

(58) **Field of Classification Search**
USPC D30/108, 112, 117, 118, 158, 160, 161, D30/199
CPC ... A01K 15/024; A01K 15/025; A01K 15/027
See application file for complete search history.

(56) **References Cited**

U.S. PATENT DOCUMENTS

D356,900	S	*	4/1995	Chesmore	D6/718.18
D883,585	S	*	5/2020	Song	D30/160
D930,290	S	*	9/2021	He	D30/161
D937,498	S	*	11/2021	Baker	D30/108
D941,535	S		1/2022	Guo		
D942,093	S	*	1/2022	Huang	D30/160
D942,712	S	*	2/2022	Huang	D30/160
D982,261	S		3/2023	Guo		
D982,264	S	*	3/2023	Xu	D30/160
2016/0360729	A1	*	12/2016	Shi	A01K 29/005

OTHER PUBLICATIONS

DlandHome All-In-One Cat Scratching Post with Basketball and Basket Elements with Removable Scratching Mat; oldest customer review posted May 11, 2023, retrieved Sep. 6, 2023 [online]. URL:

<https://www.amazon.de/-/en/DlandHome-Speaker-Furniture-Scratching-Stainless/dp/B0CCS9MLT4?th=1> (Year: 2023).*
DNBSS Cat Litter Box Enclosure with Cat Tree, . . . Sisal Scratching Post and Plush Perch, White; posted May 26, 2023, retrieved Sep. 6, 2023 [online]. URL: <https://www.amazon.com/Litter-Enclosure-Washroom-Furniture-Scratching/dp/B0C6CLB2VS?th=1> (Year: 2023).*
Wayfair Tucker Murphey Pet 50" Delyliah Cat Condo; oldest customer review posted Jun. 18, 2023, retrieved Sep. 6, 2023 [online]. URL: <https://www.wayfair.com/pet/pdp/tucker-murphy-pet-50-delyliah-cat-condo-w100191252.html> (Year: 2023).*
Inventor's, Bingsuo He, publication on Amazon dated May 12, 2023. Please refer to <https://www.amazon.de/-/en/DlandHome-Speaker-Furniture-Scratching-Stainless/dp/B0CCS9MLT4?th=1>, the webpages of the disclosure and the webpages of the detailed information of the authorized Amazon seller.

* cited by examiner

Primary Examiner — Samantha Wood
Assistant Examiner — Emily A Caven
(74) *Attorney, Agent, or Firm* — Kunzler Bean & Adamson, PC; Michael Bartholomew

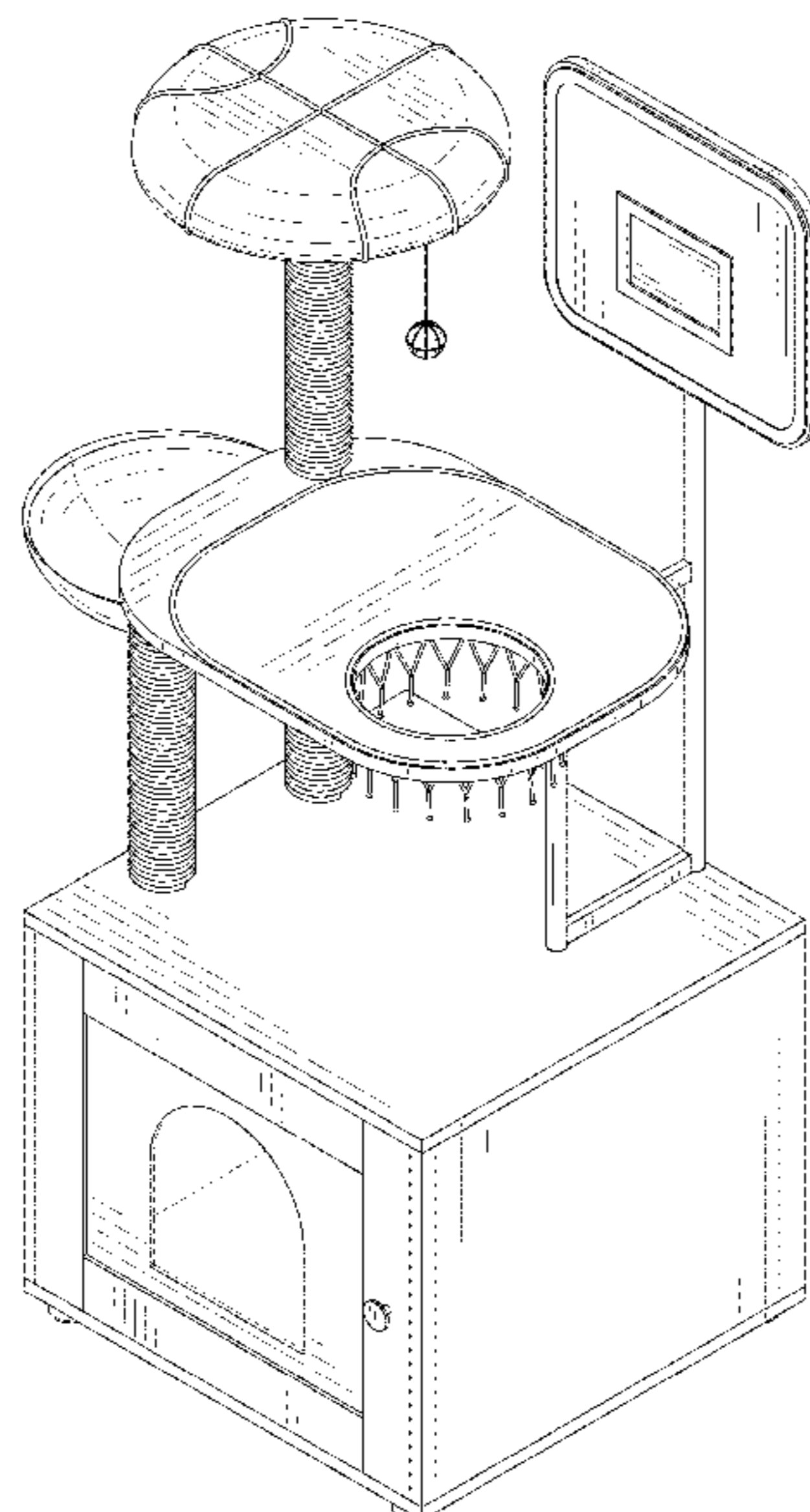
(57) **CLAIM**

The ornamental design for a cat tree, as shown and described.

DESCRIPTION

FIG. 1 is a front, right and top perspective view of a cat tree, showing my design.
FIG. 2 is a rear, left and bottom perspective view thereof.
FIG. 3 is a front elevation view thereof.
FIG. 4 is a rear elevation view thereof.
FIG. 5 is a left side elevation view thereof.
FIG. 6 is a right side elevation view thereof.
FIG. 7 is a top plan view thereof; and,
FIG. 8 is a bottom plan view thereof.
The broken lines depict portions of the cat tree that form no part of the claimed design.

1 Claim, 8 Drawing Sheets



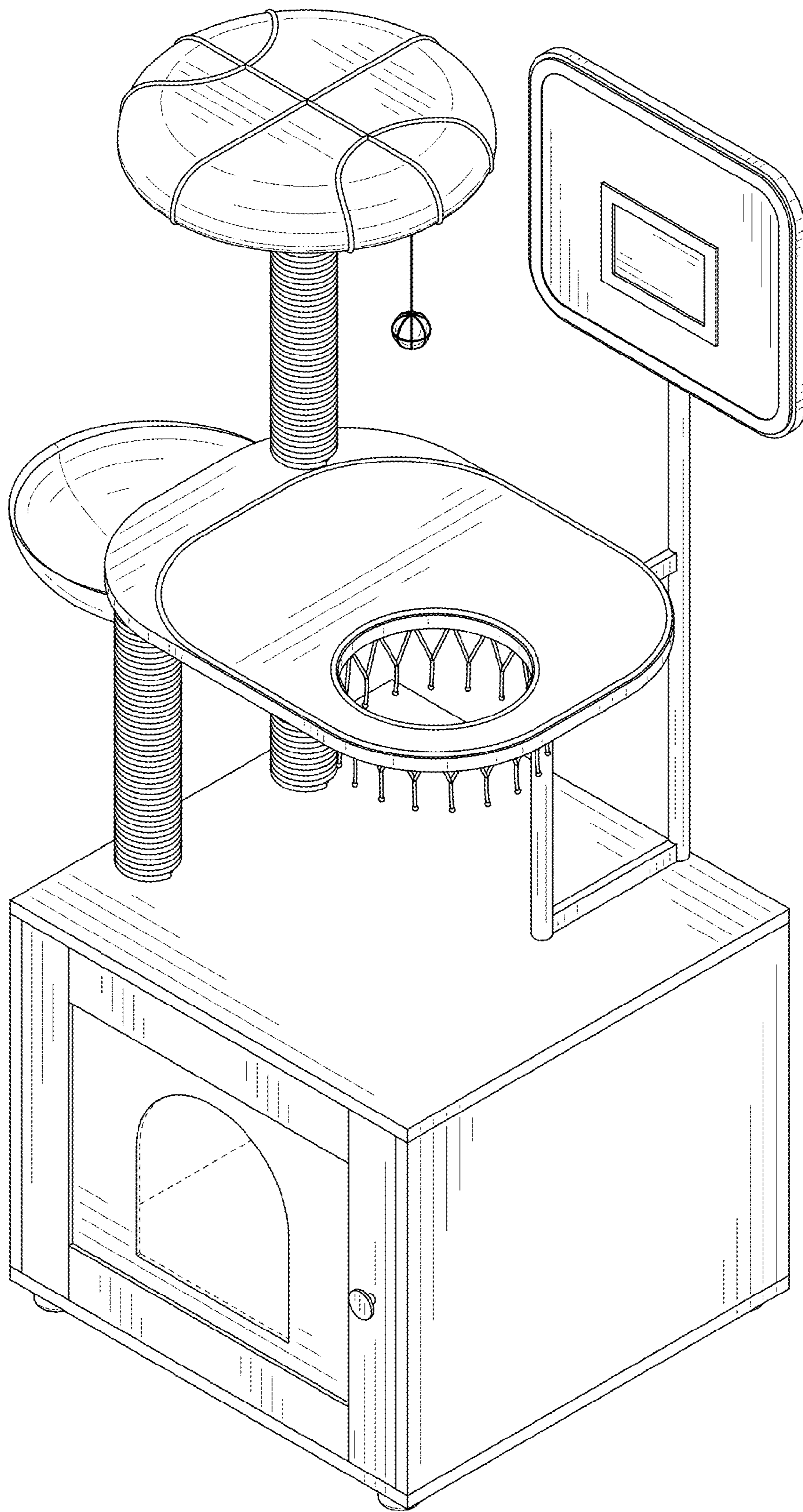


FIG. 1

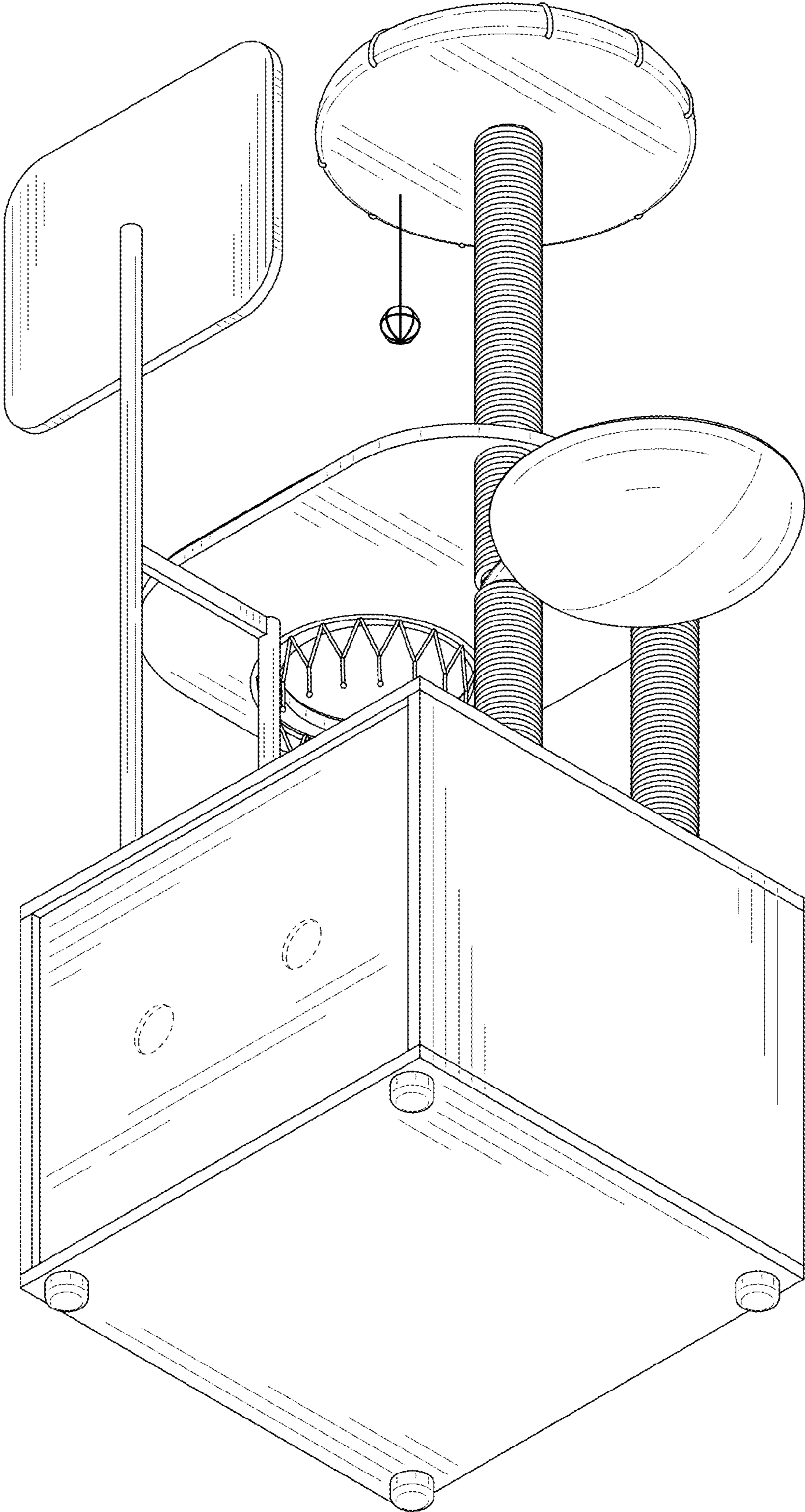


FIG. 2

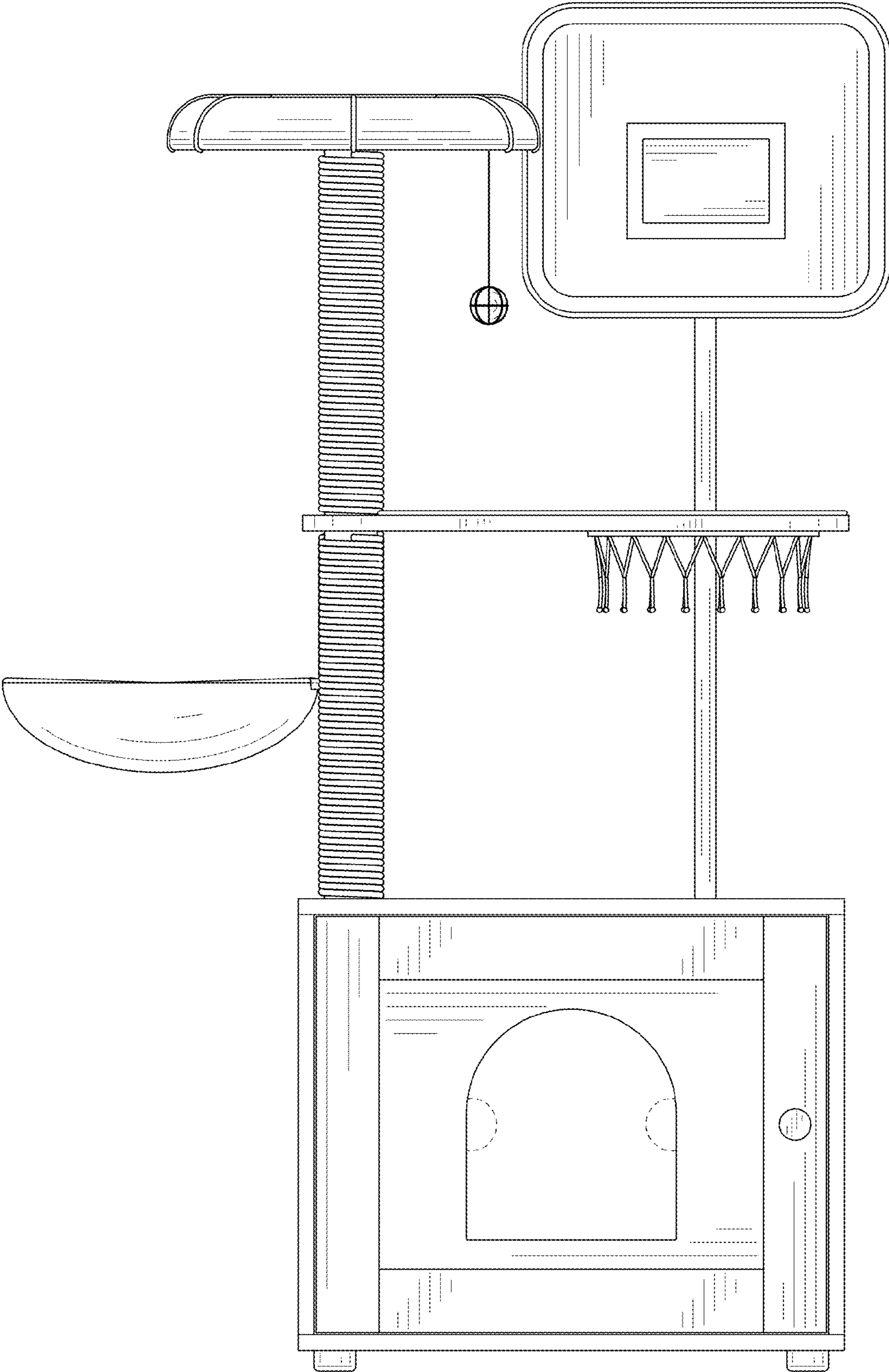


FIG. 3

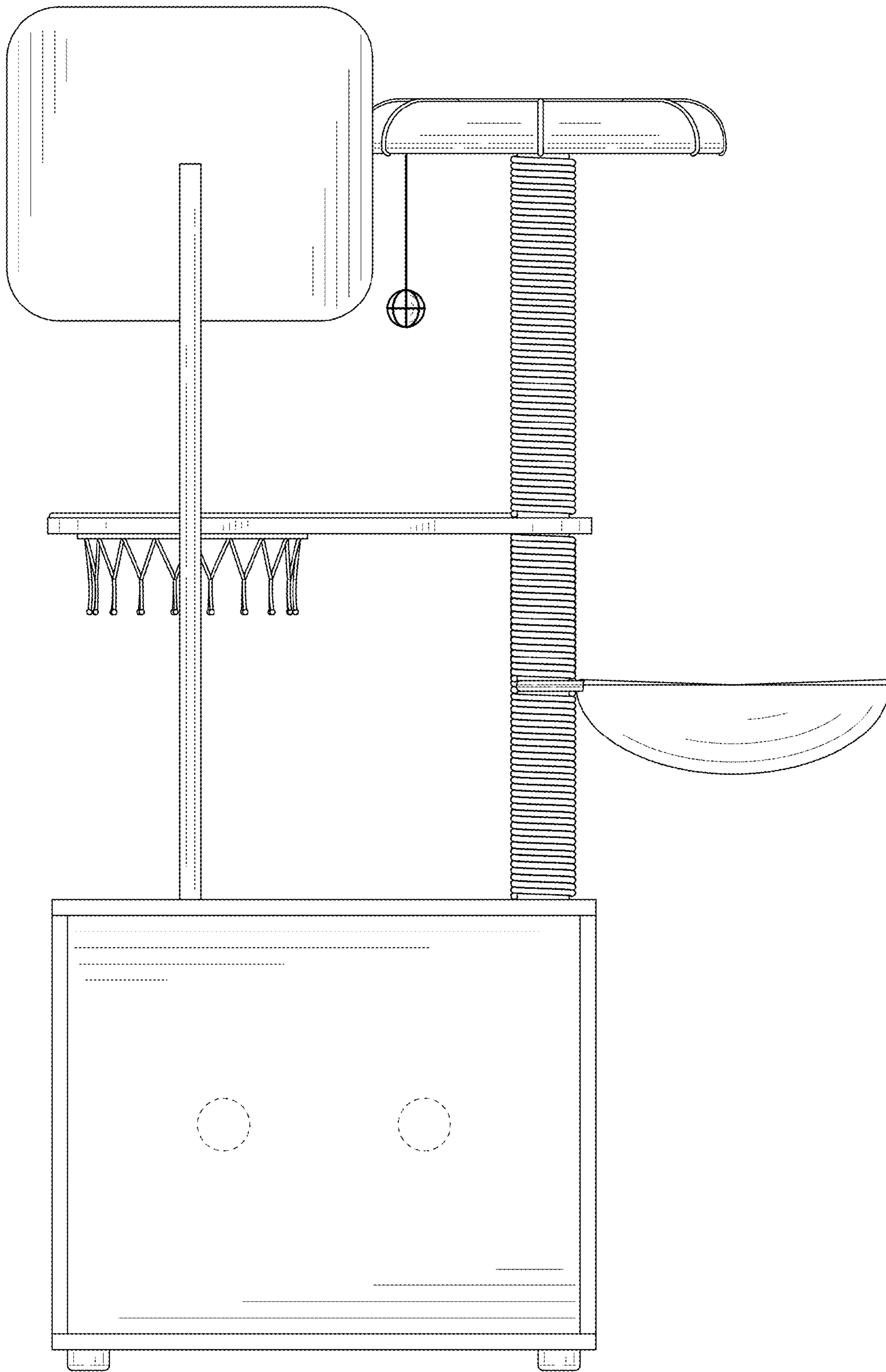


FIG. 4

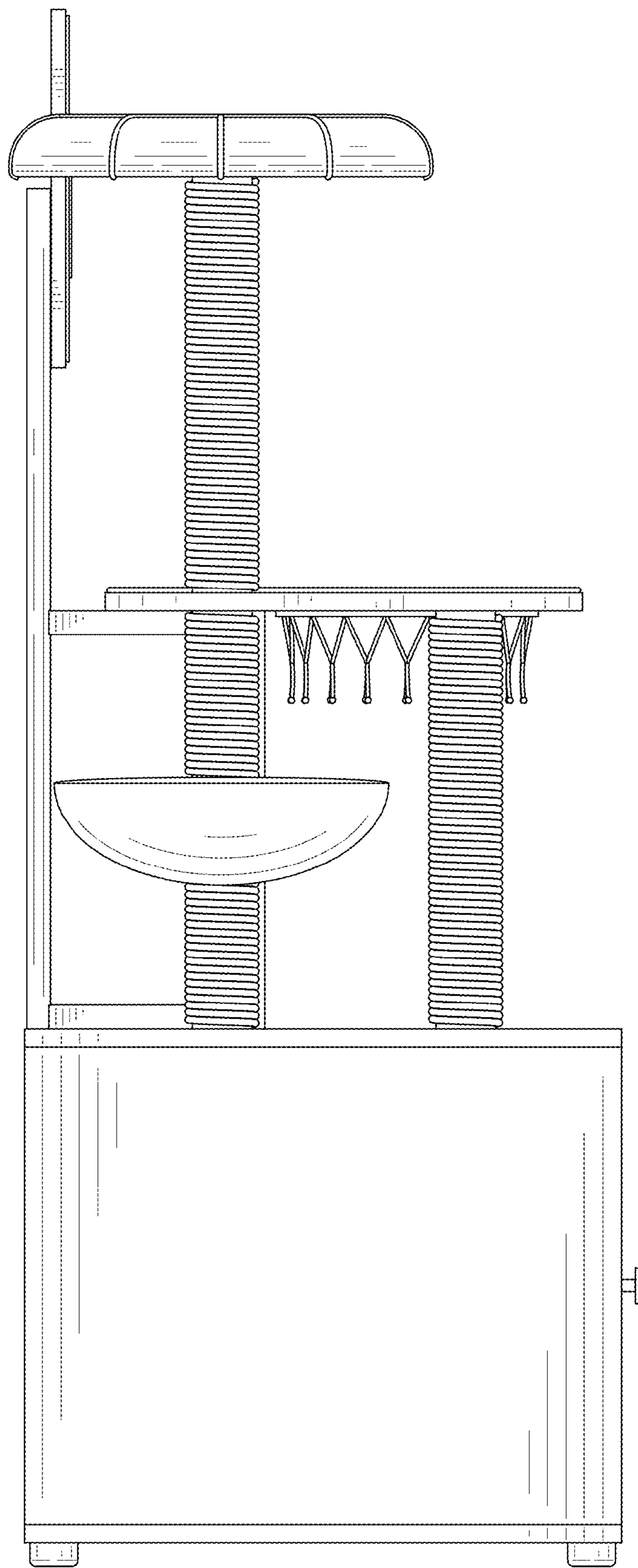


FIG. 5

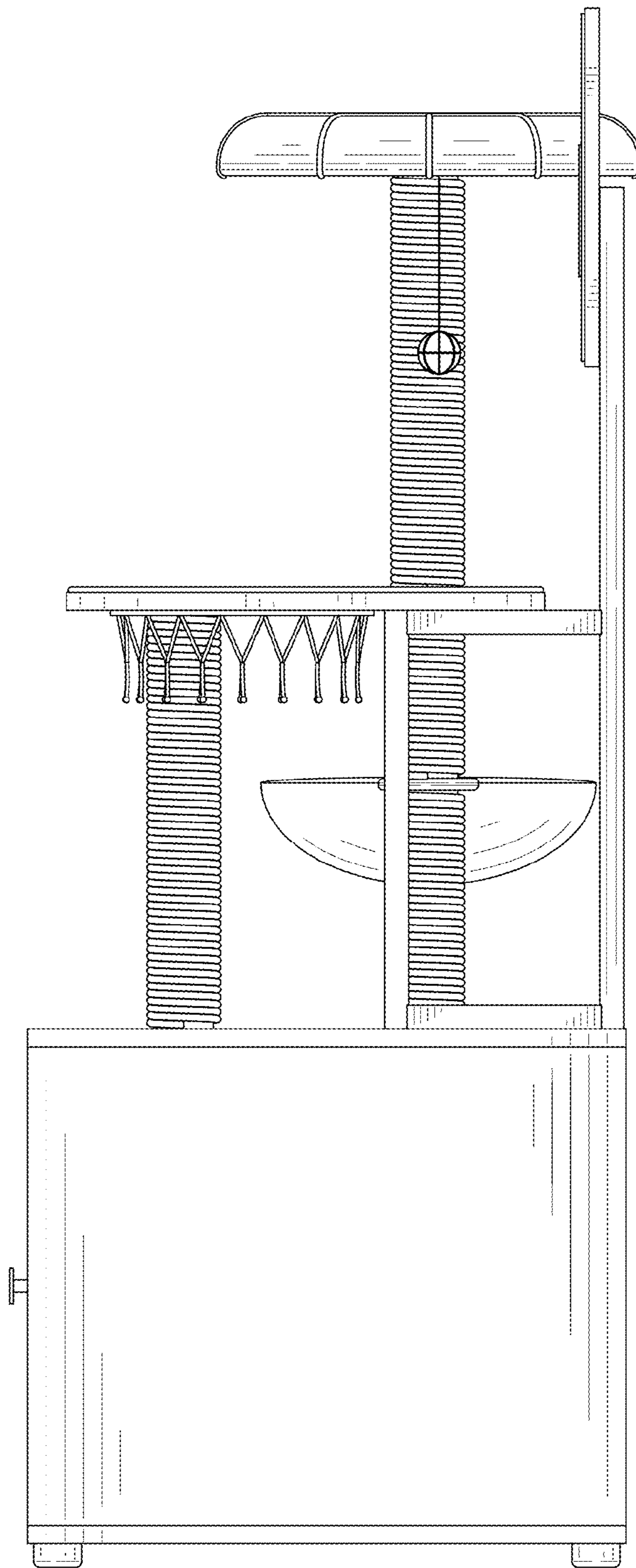


FIG. 6

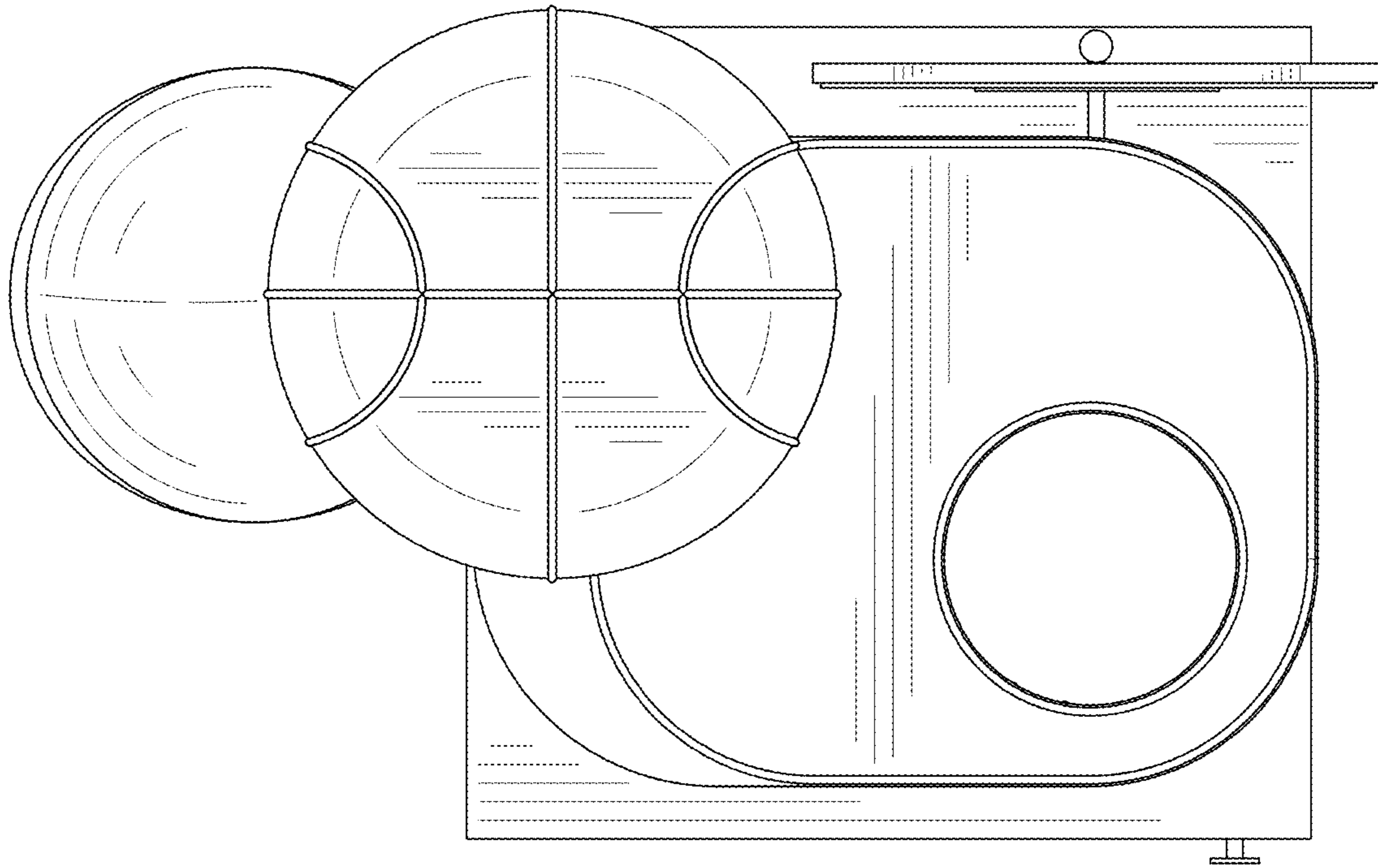


FIG. 7

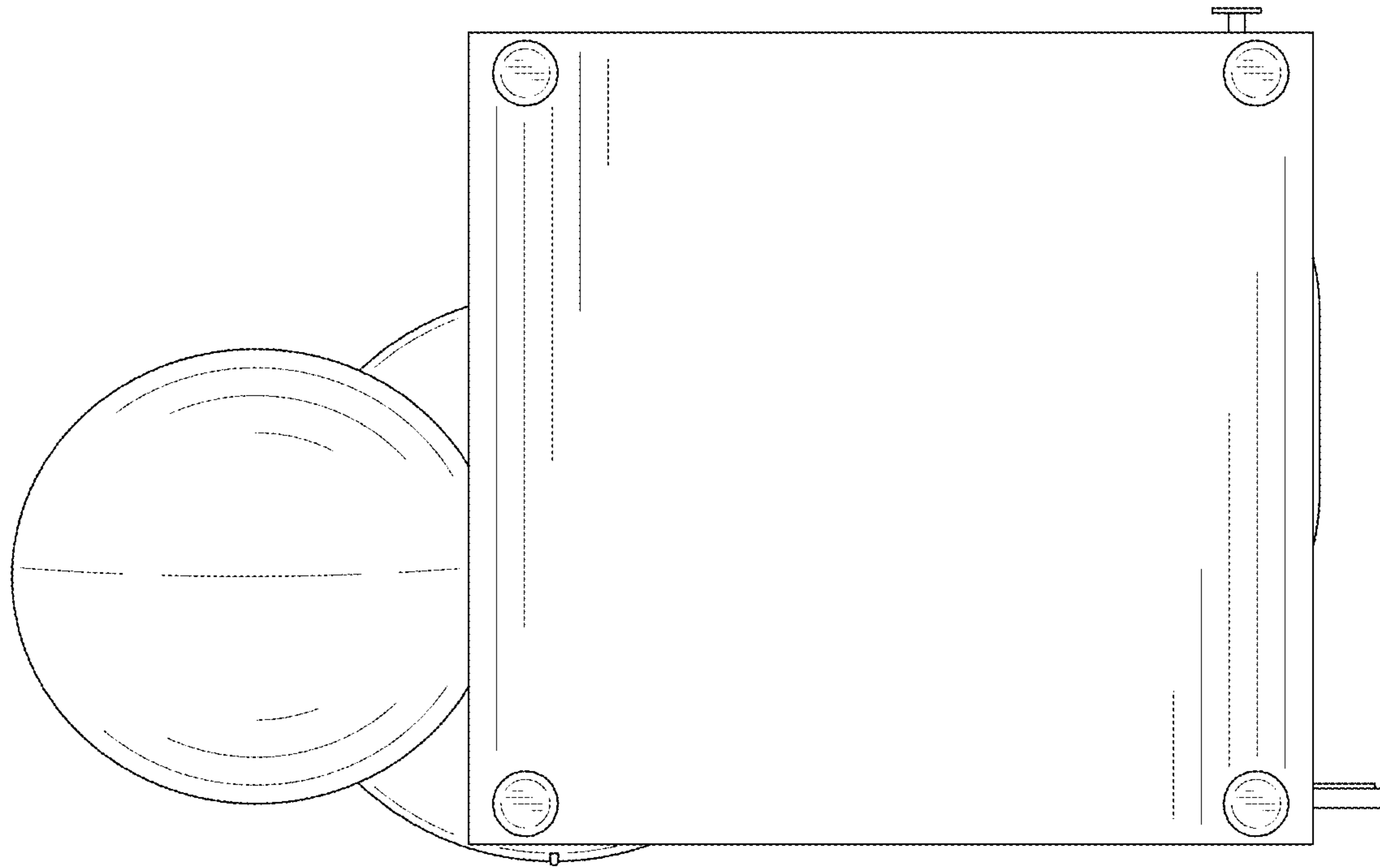


FIG. 8