



US0D1018994S

(12) **United States Design Patent** (10) **Patent No.:** **US D1,018,994 S**
Chang et al. (45) **Date of Patent:** **** Mar. 19, 2024**

(54) **COSMETIC CONTAINER**
(71) Applicant: **Glow Recipe**, New York, NY (US)
(72) Inventors: **Mee Chang**, New York, NY (US);
Sarah Sha, New York, NY (US)
(73) Assignee: **Glow Recipe**, New York, NY (US)
(**) Term: **15 Years**
(21) Appl. No.: **29/820,495**
(22) Filed: **Dec. 22, 2021**
(51) **LOC (14) Cl.** **28-03**
(52) **U.S. Cl.**
USPC **D28/76; D9/516**
(58) **Field of Classification Search**
USPC D7/601; D9/414, 430, 500, 501, 503,
D9/516, 519, 549, 551, 564; D28/9, 73,
D28/76, 82, 99
CPC A45D 27/00; A45D 27/22; A45D 27/29;
A45D 44/00; A45D 44/02; A45D 44/04;
A45D 44/06; A45D 44/14; A45D 33/00;
A45D 33/005; A45D 33/006; A45D
33/34; A45D 40/00; A45D 2040/006;
A47F 9/00; A47F 9/005; A47F 3/00;
A47F 3/14; A47F 3/145; A47F 3/06;
A47F 3/063; A47F 2003/066; Y10S
206/00; Y10S 206/822; B65D 11/00;
B65D 11/10; B65D 11/12; B65D 81/00;
B62D 2581/00
See application file for complete search history.

(56) **References Cited**
U.S. PATENT DOCUMENTS
D645,747 S * 9/2011 Yu D9/503
D697,806 S * 1/2014 In D9/503
D711,239 S * 8/2014 Julier D9/558
D782,319 S * 3/2017 Sakabe D9/454
D874,936 S * 2/2020 Son B65D 77/0493
D9/504

D890,991 S * 7/2020 Makabi A45D 40/10
D28/99
D906,819 S * 1/2021 Clark D9/500
D914,500 S * 3/2021 Blomberg D9/500
D962,788 S * 9/2022 Yeo D9/744
D966,107 S * 10/2022 Akai D9/558
D968,026 S * 10/2022 Kim D28/76
2021/0298451 A1 * 9/2021 Coquard B65D 77/0493
(Continued)

OTHER PUBLICATIONS

Glow Recipe Plum Plump, earliest review with photo Dec. 3, 2021 [online]. [retrieved May 9, 2023]. Retrieved from internet, <https://www.sephora.com/product/glow-recipe-plum-plump-hyaluronic-acid-moisturizer-P479327> (Year: 2021).*
(Continued)

Primary Examiner — Alison M Ofstun
Assistant Examiner — Evin F Ershock
(74) *Attorney, Agent, or Firm* — Offit Kurman, P.A.;
Joseph P. Mathew

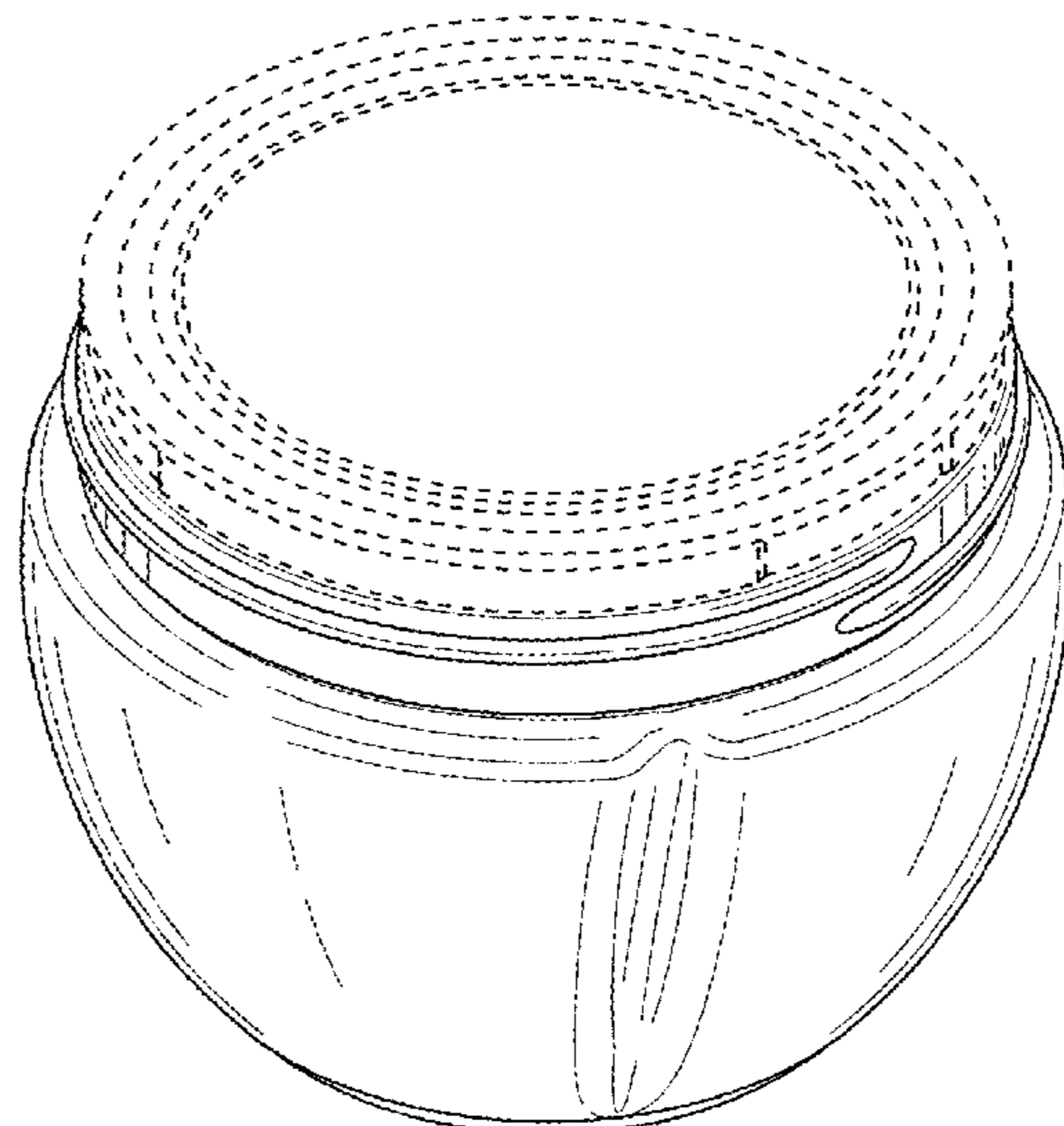
(57) **CLAIM**

The ornamental design for a cosmetic container, as shown and described.

DESCRIPTION

FIG. 1 is a front-perspective view for a cosmetic container, showing our new design;
FIG. 2 is a rear-perspective view thereof;
FIG. 3 is a front view thereof;
FIG. 4 is a rear view thereof;
FIG. 5 is a left-side view thereof;
FIG. 6 is a right-side view thereof;
FIG. 7 is a top view thereof;
FIG. 8 is a bottom view thereof; and,
FIG. 9 is an exploded view thereof.
The broken lines illustrate portions of the article, and form no part of the claimed design.

1 Claim, 6 Drawing Sheets



(56)

References Cited

U.S. PATENT DOCUMENTS

2022/0095767 A1* 3/2022 Lee A45D 40/10
2023/0107932 A1* 4/2023 Coquard B65D 77/0493
220/23.89

OTHER PUBLICATIONS

Plum Plump Hyaluronic Cream, earliest review May 15, 2022
[online], [retrieved May 9, 2023]. Retrieved from internet, <https://www.glowrecipe.com/products/plum-plump-hyaluronic-cream> (Year: 2022).*

* cited by examiner

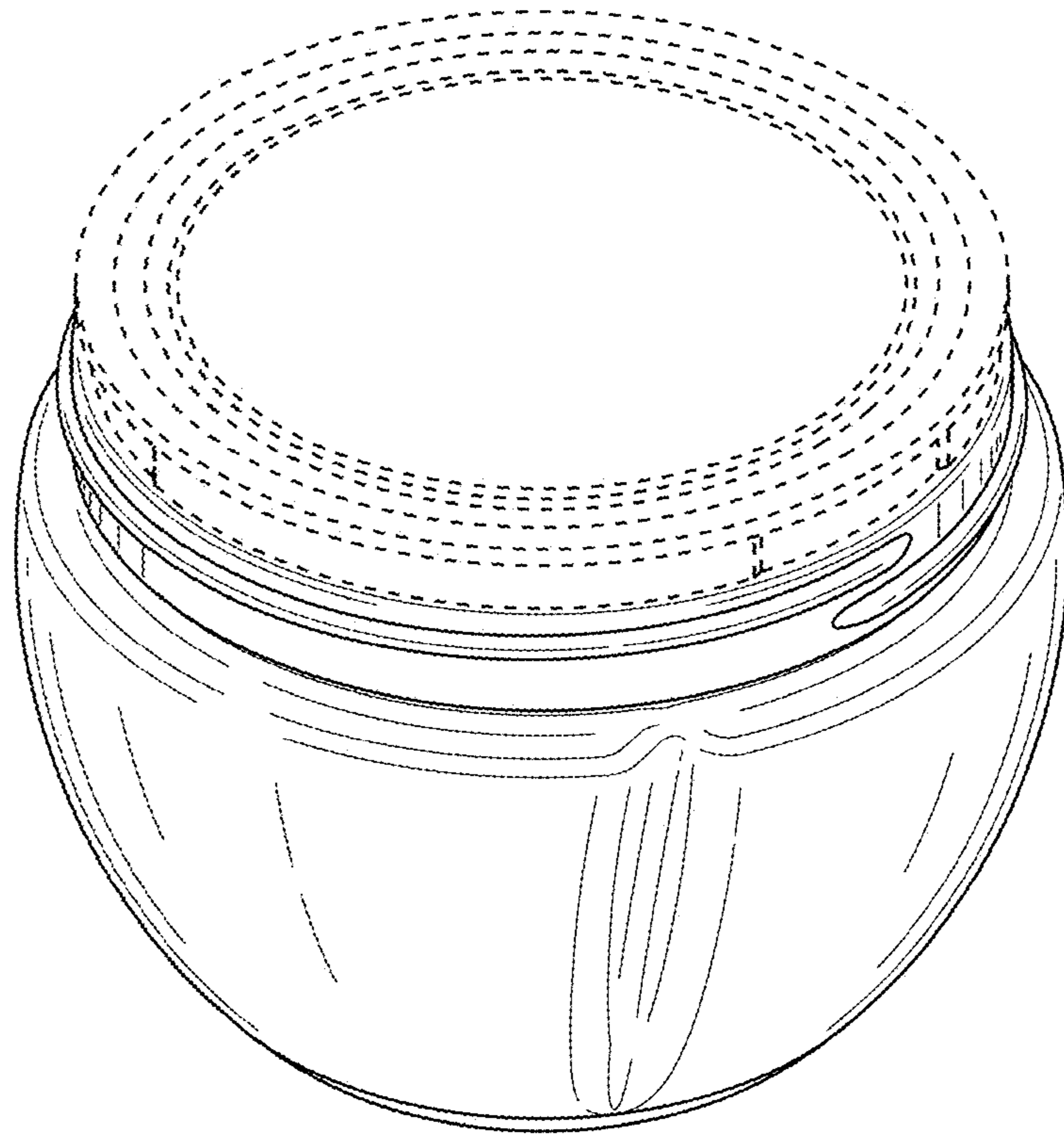


FIG. 1

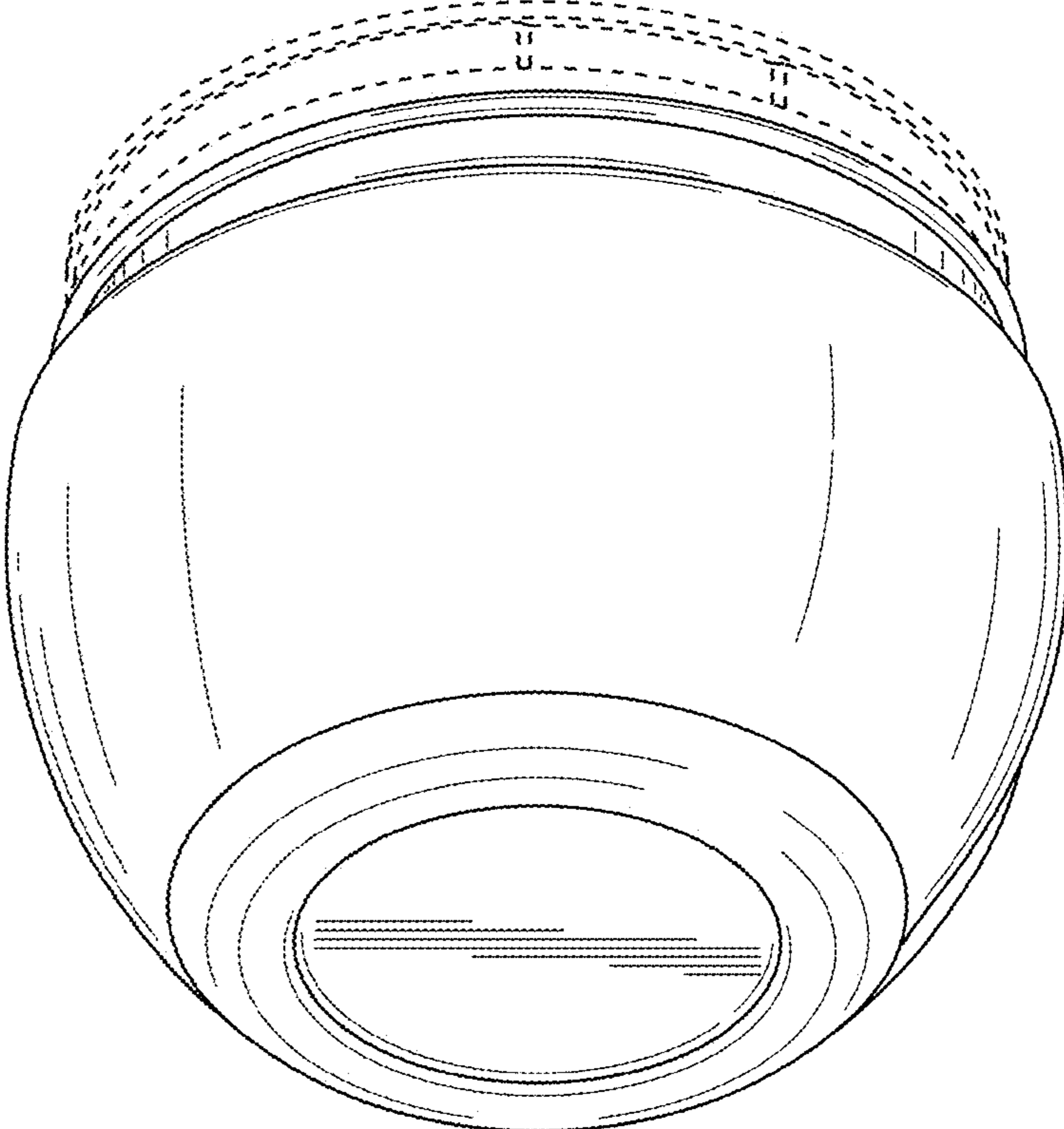


FIG. 2

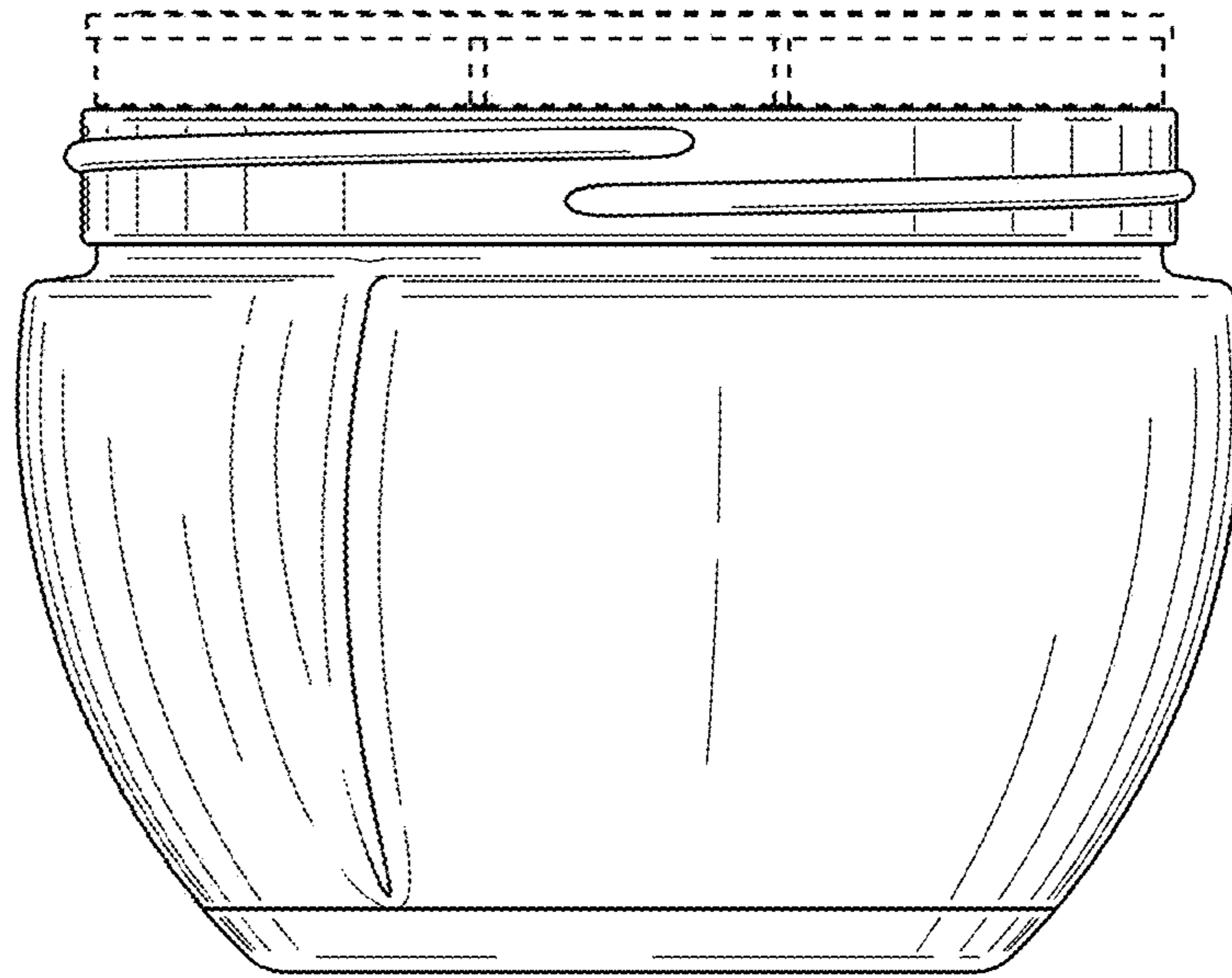


FIG. 3

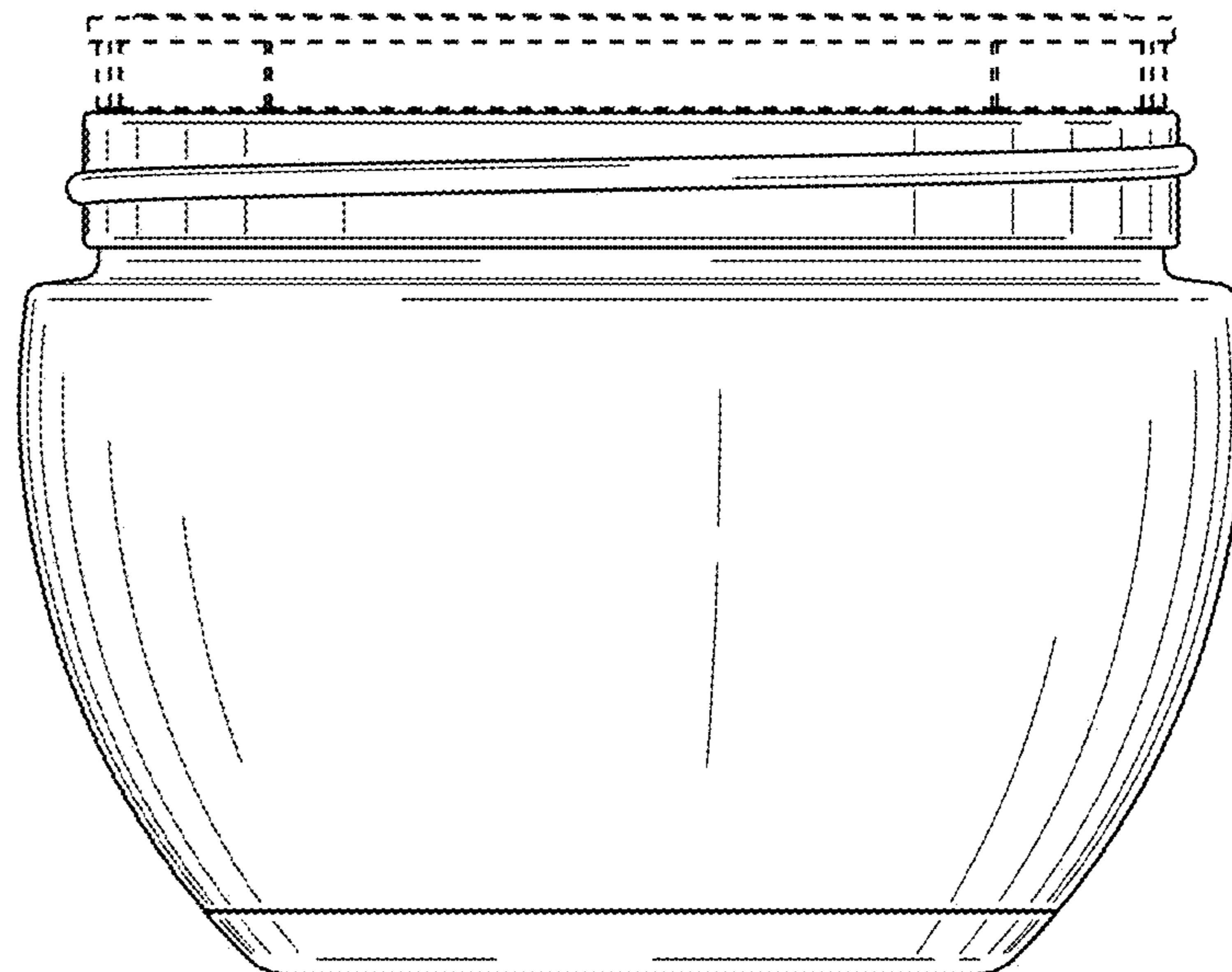


FIG. 4

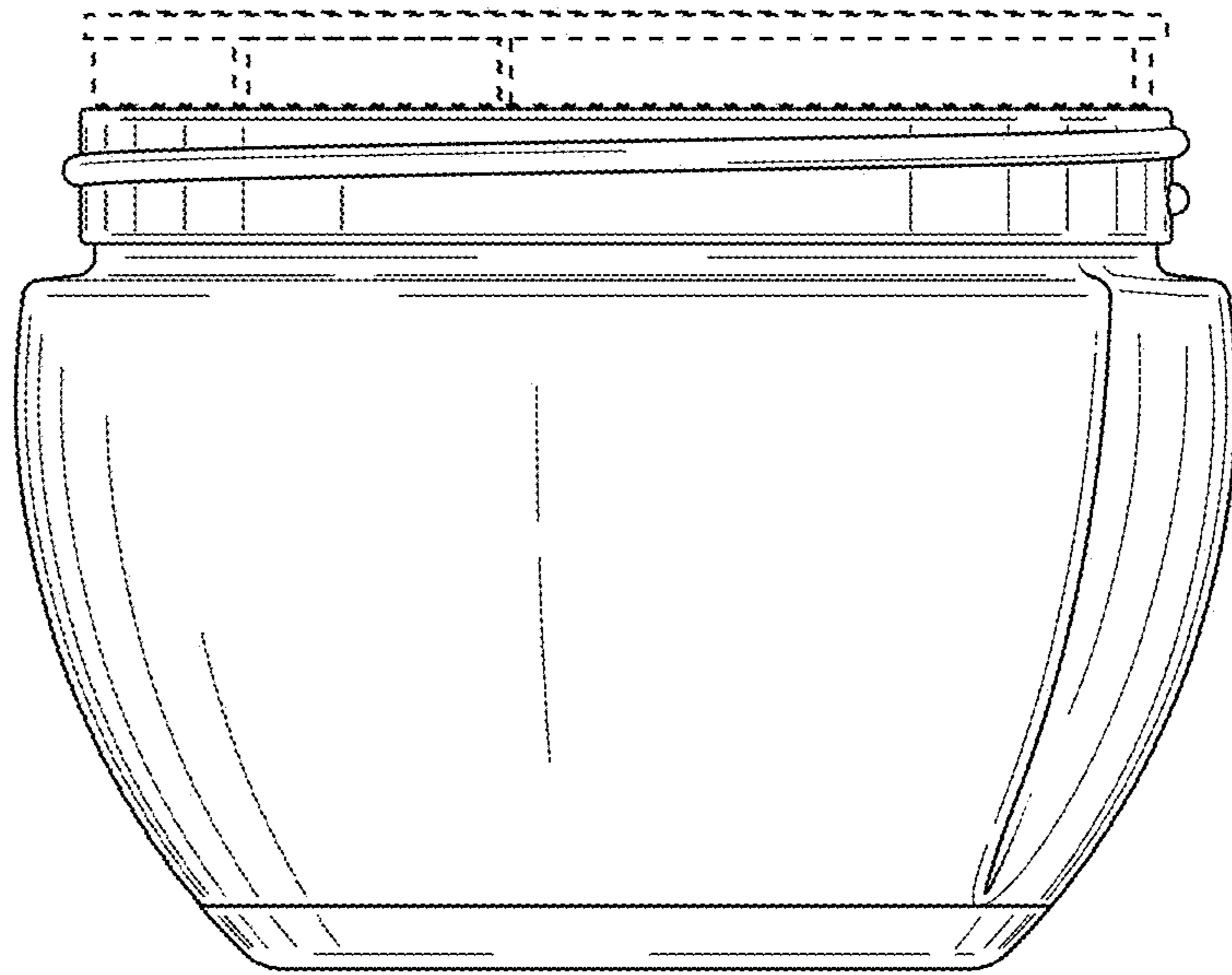


FIG. 5

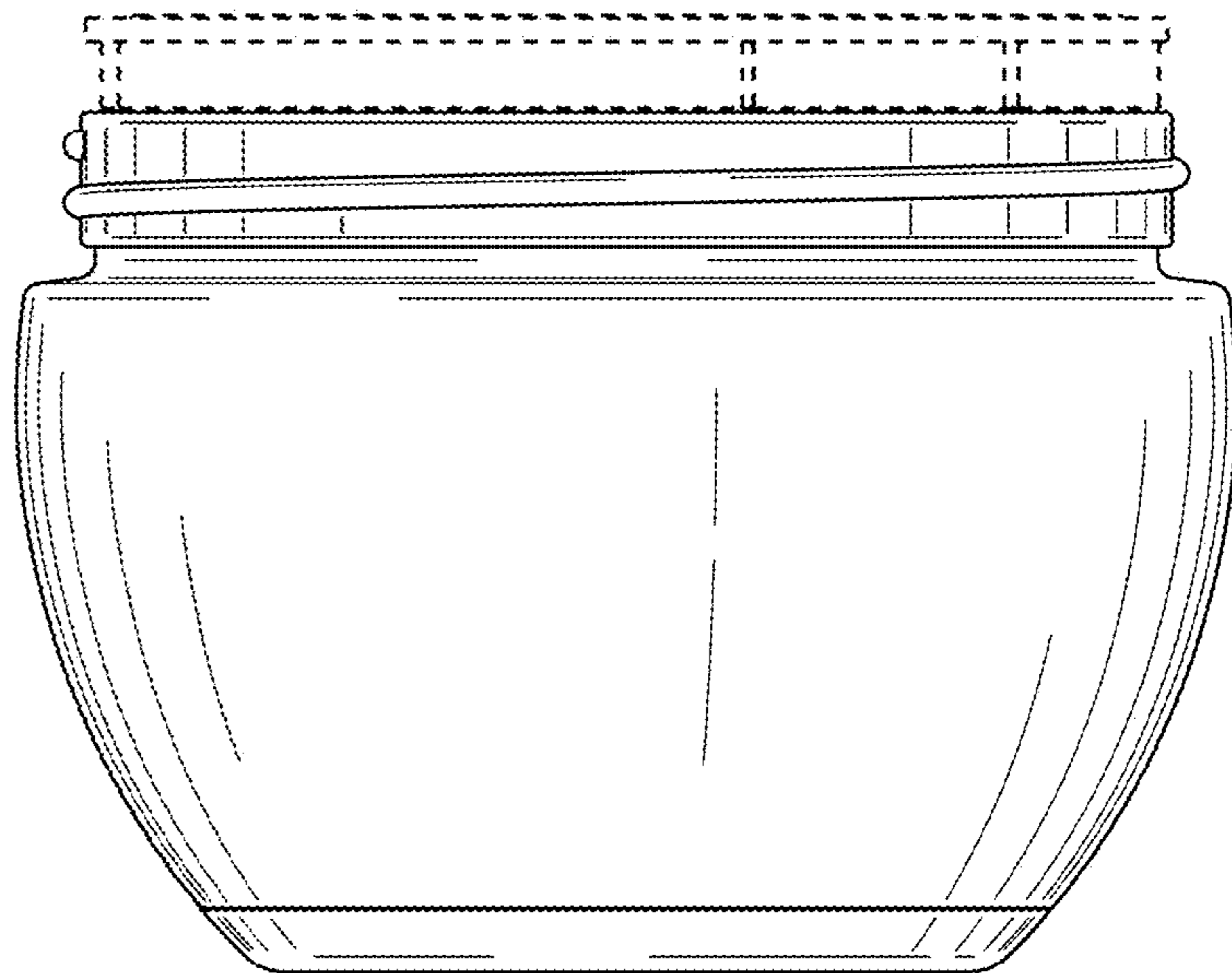


FIG. 6

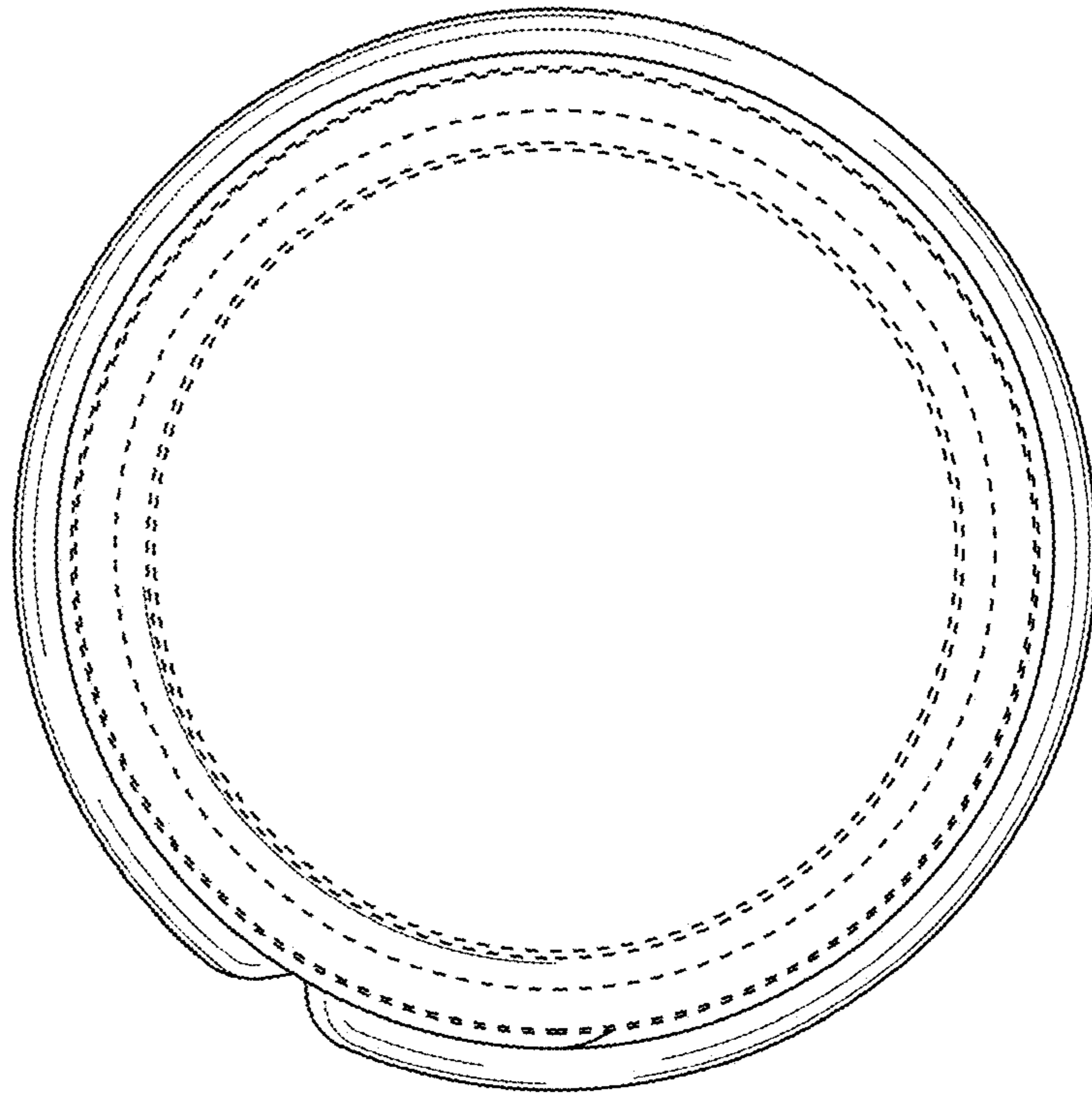


FIG. 7

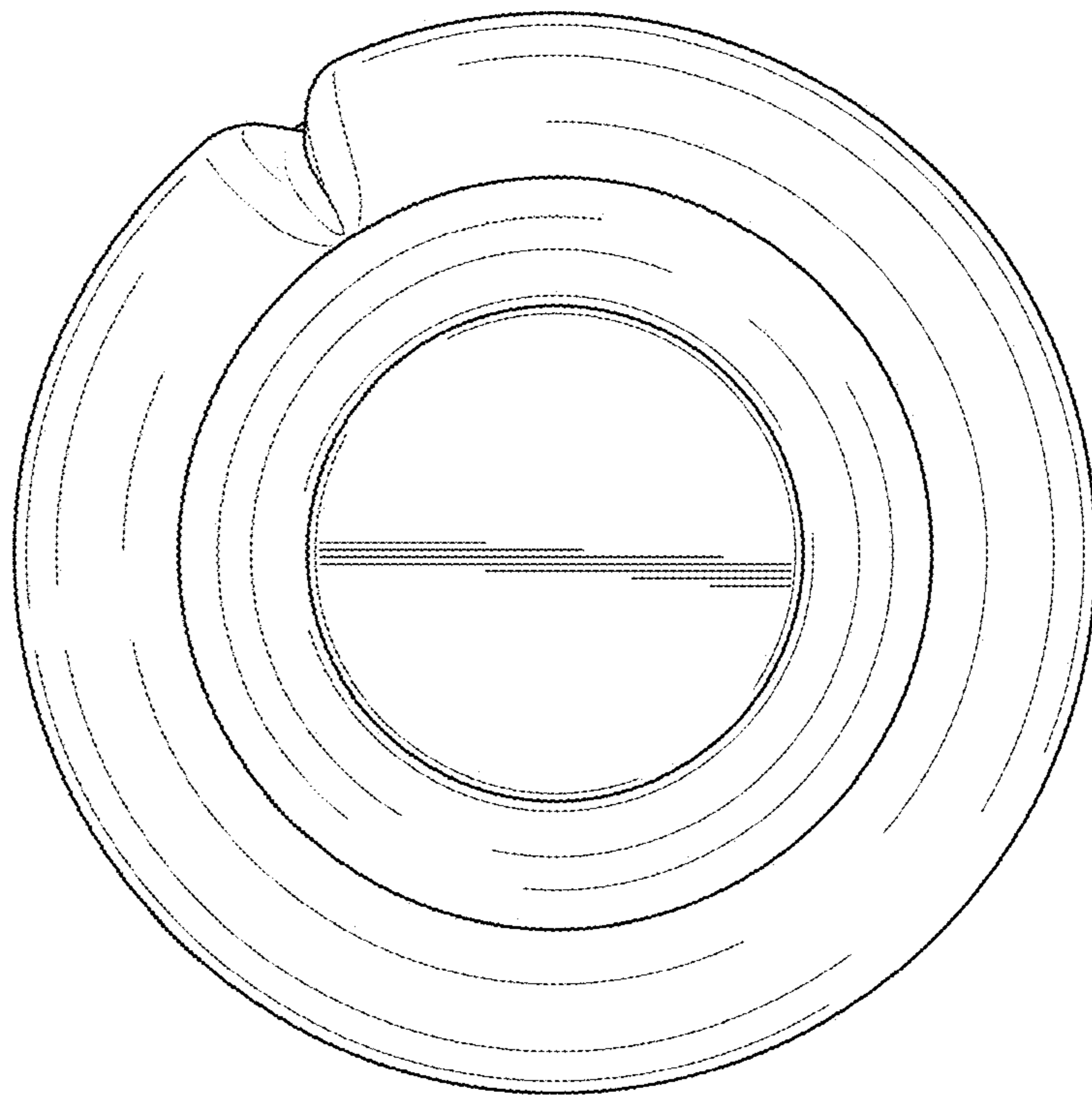


FIG. 8

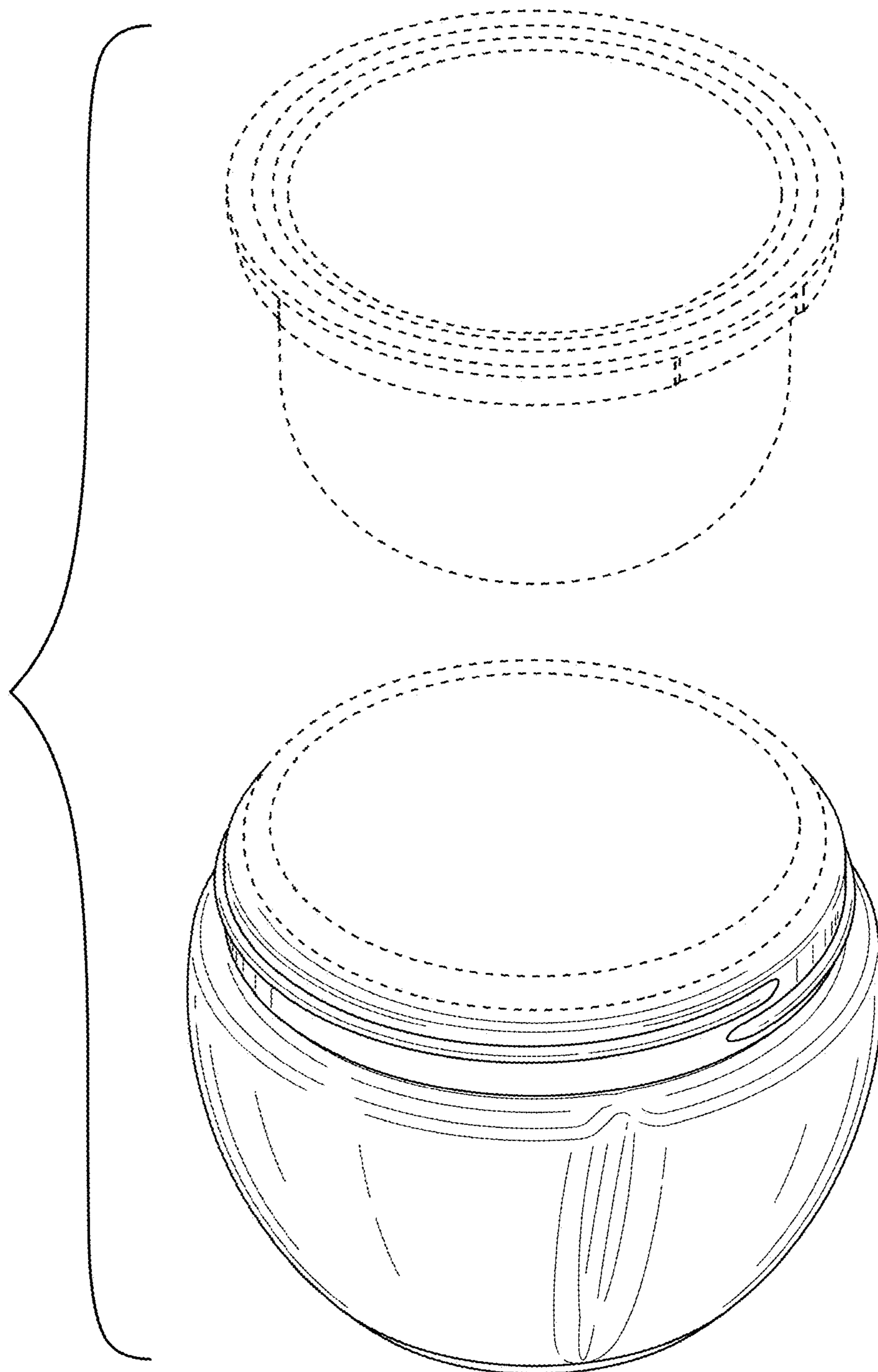


FIG. 9