



US0D1018706S

(12) **United States Design Patent**
Barnett

(10) **Patent No.: US D1,018,706 S**

(45) **Date of Patent: ** Mar. 19, 2024**

(54) **TOY CROSSBOW**

(71) Applicant: **Barnett Outdoors, LLC**, Tarpon Springs, FL (US)

(72) Inventor: **David A. Barnett**, Tampa, FL (US)

(73) Assignee: **Barnett Outdoors, LLC**, Tarpon Springs, FL (US)

(**) Term: **15 Years**

(21) Appl. No.: **29/828,179**

(22) Filed: **Feb. 24, 2022**

(51) **LOC (14) Cl.** **21-01**

(52) **U.S. Cl.**
USPC **D21/571; D21/570; D21/567**

(58) **Field of Classification Search**
USPC D21/571, 574, 573, 570, 575, 567, 568, D21/569, 572, 615; D22/100, 107, 103
CPC F41B 5/12; F41B 5/00; F41B 3/005
See application file for complete search history.

(56) **References Cited**

U.S. PATENT DOCUMENTS

2,500,509	A *	3/1950	Bailey	F41B 5/12
					D21/571
D324,552	S *	3/1992	Morrison	D21/573
6,901,921	B1 *	6/2005	Barnett	F41B 5/123
					124/25
7,100,590	B2 *	9/2006	Chang	F41B 5/123
					124/25
7,832,386	B2 *	11/2010	Bednar	F41B 5/123
					124/25
8,191,541	B2 *	6/2012	Shaffer	F41B 5/105
					124/25
8,225,777	B2 *	7/2012	Chu	F41B 5/123
					124/25

8,794,224 B2 * 8/2014 Bednar F41B 5/0084
124/25

8,991,375 B2 * 3/2015 McPherson F41B 5/105
124/24.1

D738,980 S 9/2015 Rodich
(Continued)

FOREIGN PATENT DOCUMENTS

CN 303988841 * 12/2016
CN 305357617 * 9/2019

(Continued)

OTHER PUBLICATIONS

Barnett Website, Barnett Suction Dart Crossbow, No available Date [Website Visited Jul. 7, 2023] Available on the Internet URL <https://www.barnettcrossbows.com/toy-crossbows/phantum-suction-dart-crossbow-full-size-blk-blu> (Year: 2023).*

(Continued)

Primary Examiner — S. Bryan Reinholdt, Jr.
Assistant Examiner — James T Tyree
(74) *Attorney, Agent, or Firm* — Jones Walker LLP

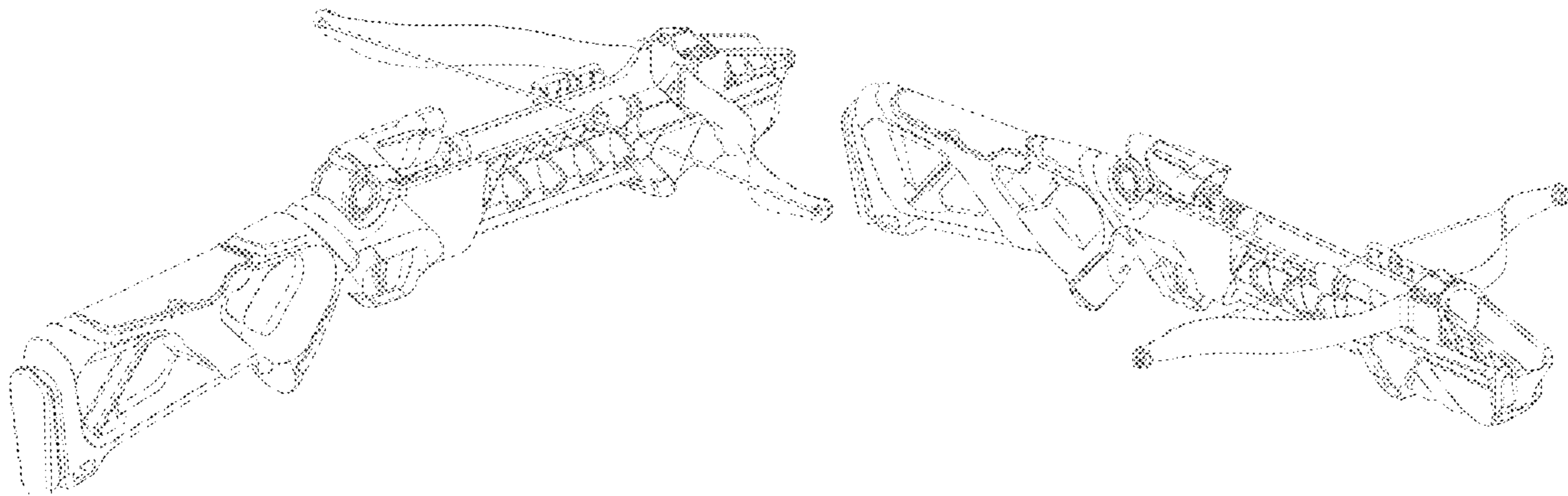
(57) **CLAIM**

I claim the ornamental design for a toy crossbow, as shown.

DESCRIPTION

FIG. 1 is a rear perspective view of a toy crossbow showing my new design;
FIG. 2 is a front perspective view thereof;
FIG. 3 is a left side view thereof;
FIG. 4 is a right side view thereof;
FIG. 5 is a top view thereof;
FIG. 6 is a bottom view thereof;
FIG. 7 is a front view thereof; and,
FIG. 8 is a rear view thereof.
The broken lines and areas within them in FIGS. 4, 5, and 6 depict portions of the toy crossbow that form no part of the claimed design.

1 Claim, 8 Drawing Sheets



(56)

References Cited

U.S. PATENT DOCUMENTS

D783,109 S 4/2017 McPherson
10,267,592 B2* 4/2019 Bartels F41B 5/123
2010/0186728 A1* 7/2010 Bednar F41C 23/16
124/1
2022/0341698 A1* 10/2022 Barnett F41A 9/72

FOREIGN PATENT DOCUMENTS

CN 307784566 * 1/2023
TW 245583 4/1995
TW D166718 3/2015

OTHER PUBLICATIONS

Walmart Website, Bear Toy Crossbow, Earliest Comment Date:
Aug. 20, 2008 [Website Visited Jul. 7, 2023] Available on the
Internet URL <https://www.walmart.com/ip/Bear-Toy-Crossbow/5984229> (Year: 2008).*

Amazon Website, Southland Archery Crossbow, Earliest Available
Date: Sep. 30, 2015 [Website Visited Jul. 7, 2023] Available on the
Internet URL <https://www.amazon.com/dp/B015YTV9PG/> (Year:
2015).*

Co-pending Design U.S. Appl. No. 29/828,180, titled "Toy Pistol
Crossbow".

Taiwan Intellectual Property Office, Search Report for Design
Patent Application, dated Jul. 1, 2022, in Applicant's counterpart
ROC (Taiwan) Design Patent Application No. 111301468.

* cited by examiner

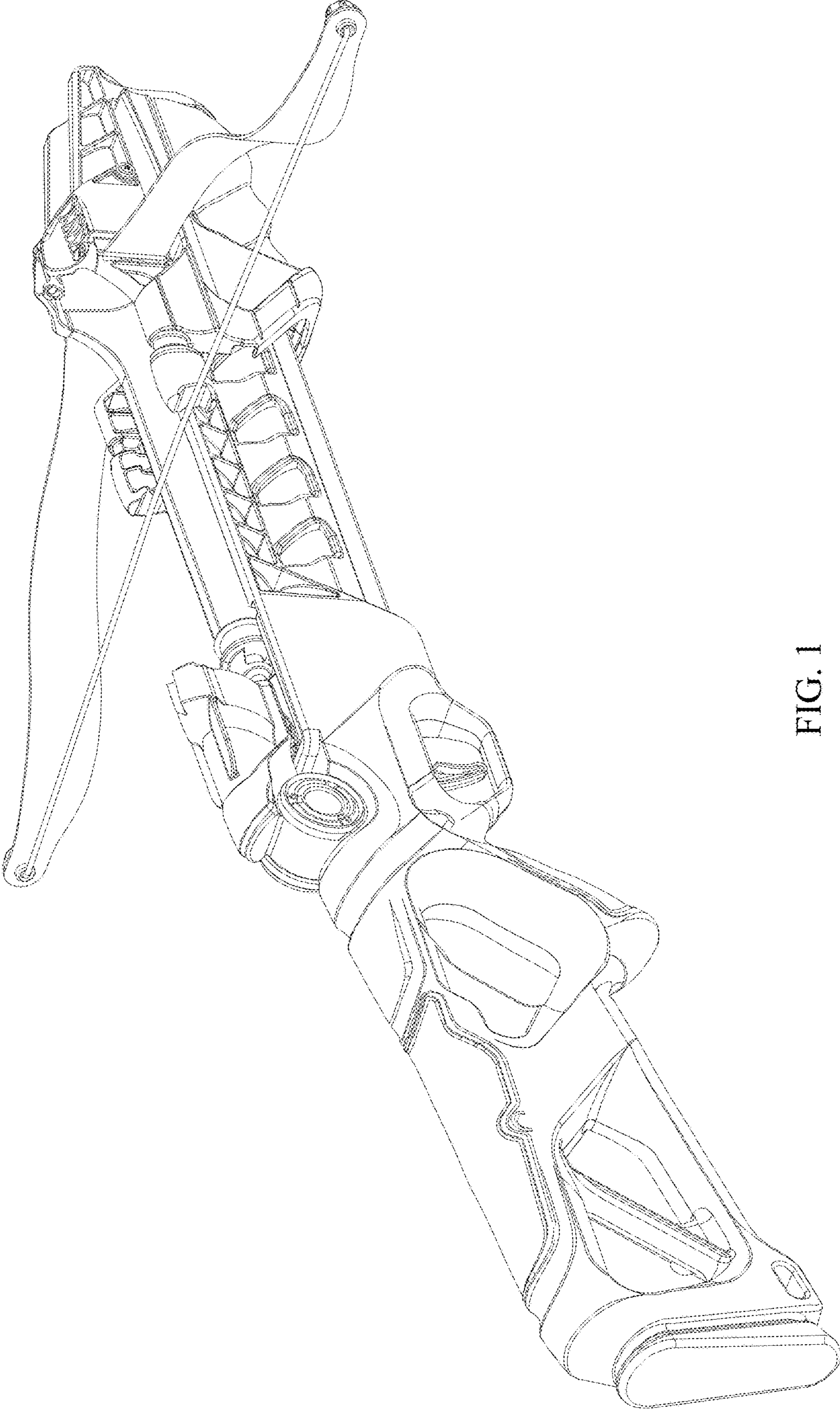


FIG. 1



FIG. 2

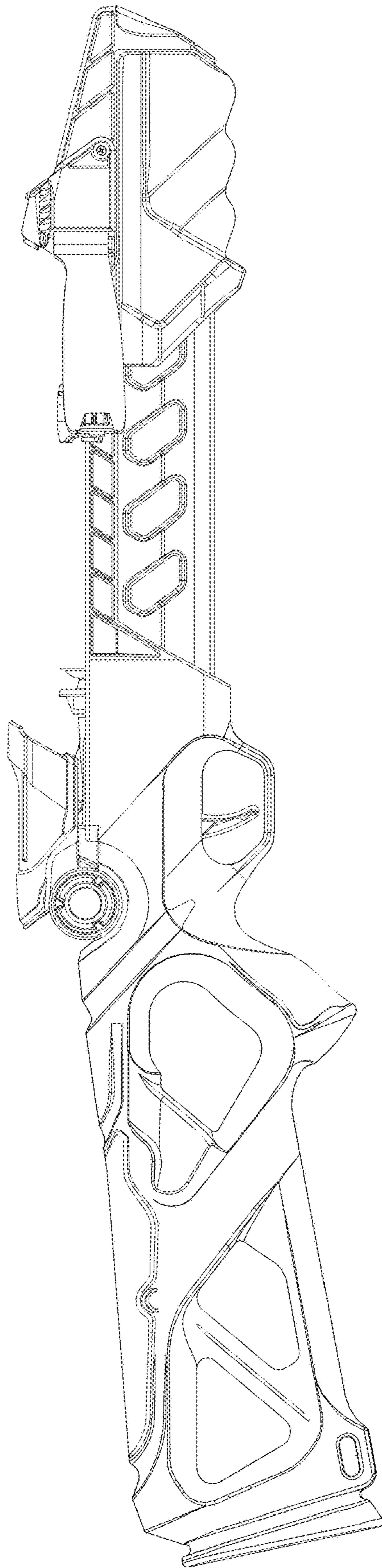


FIG. 3

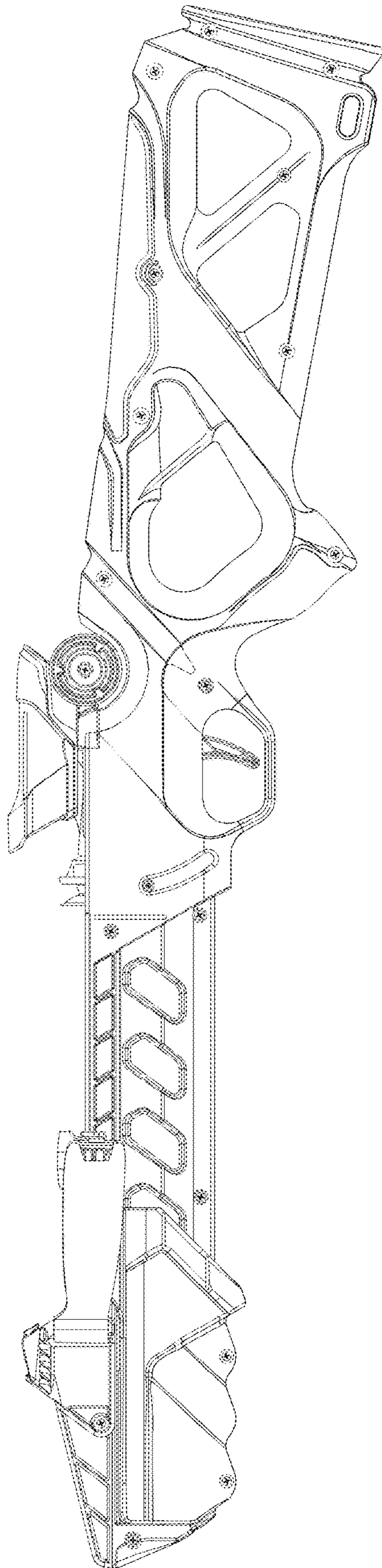


FIG. 4

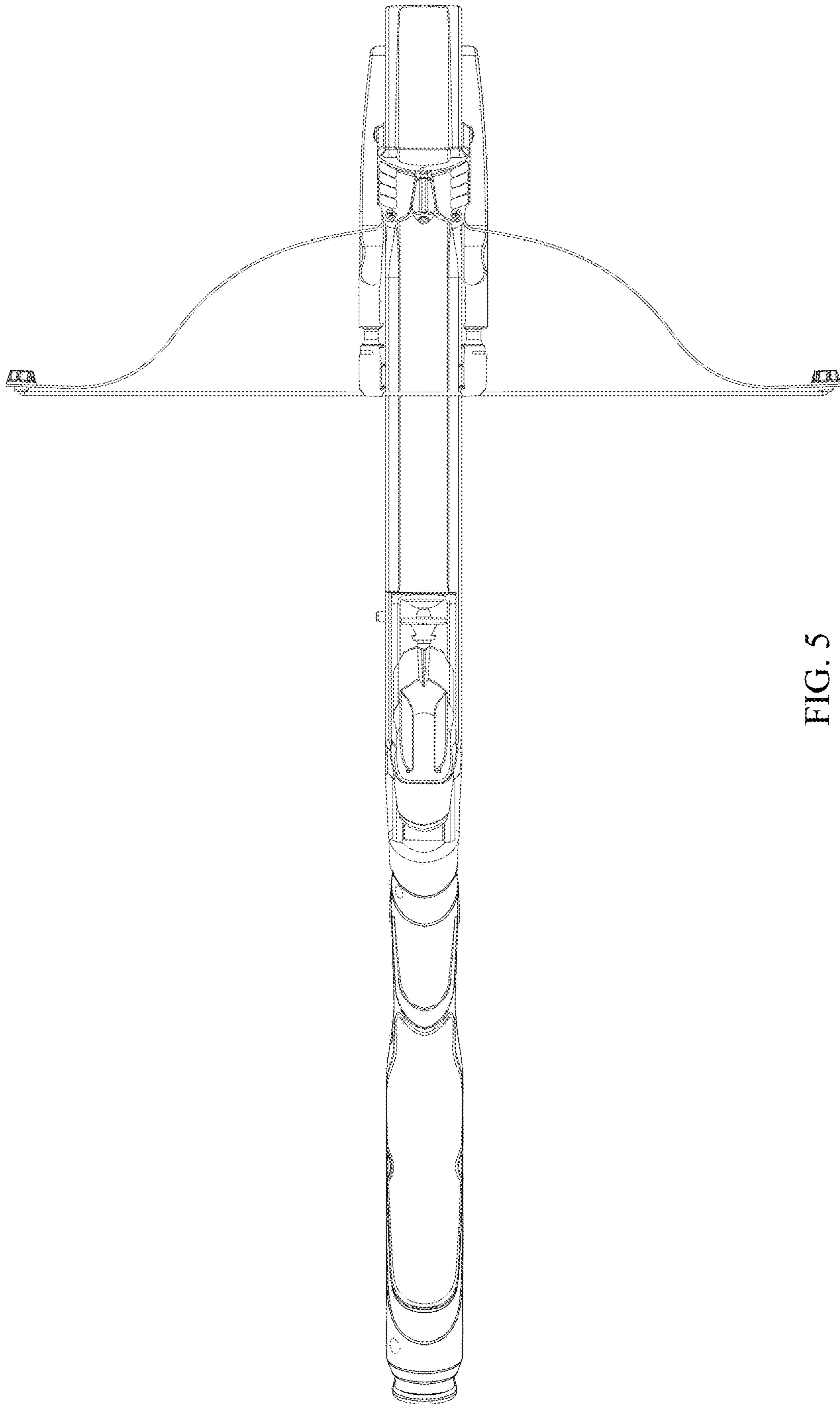


FIG. 5

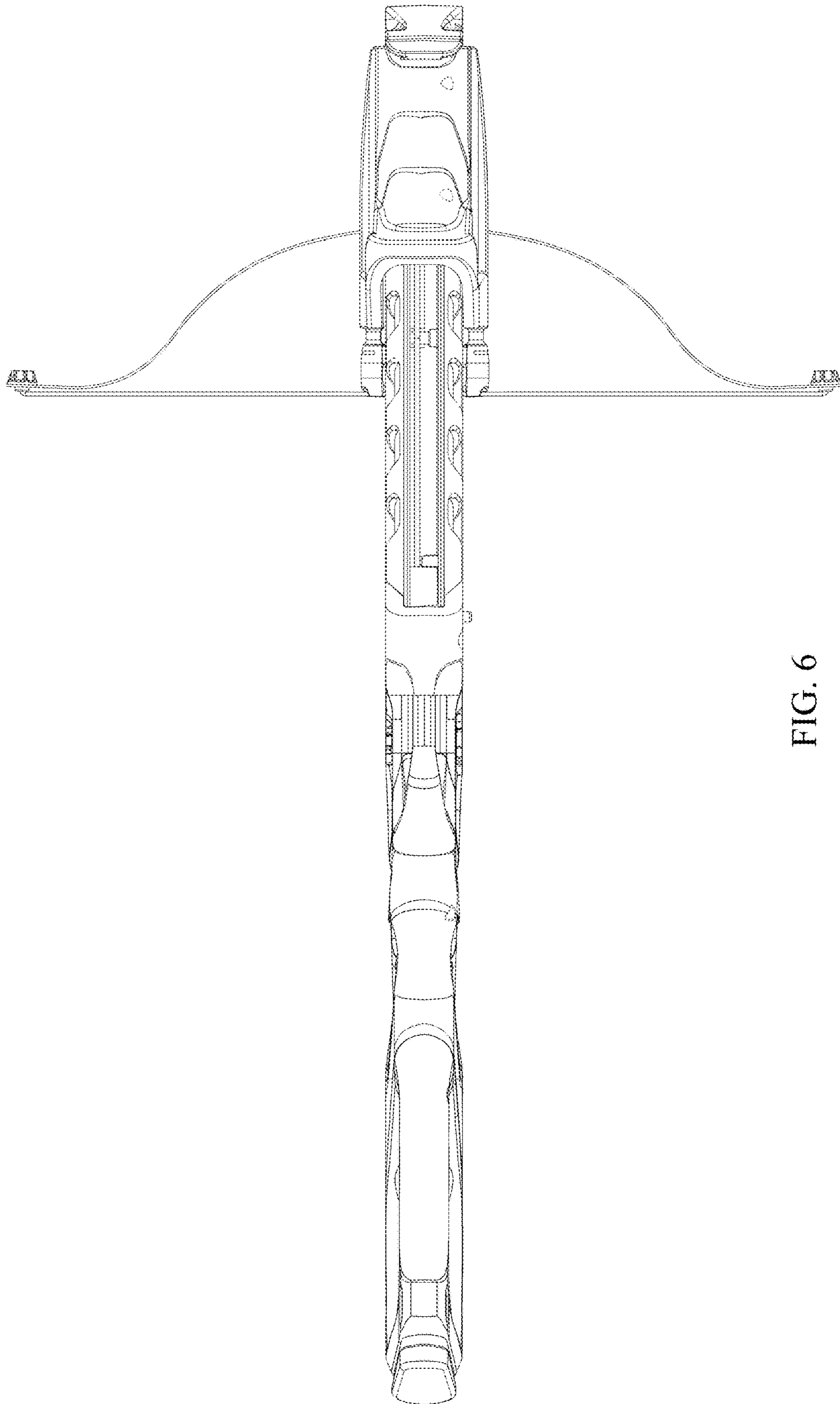


FIG. 6

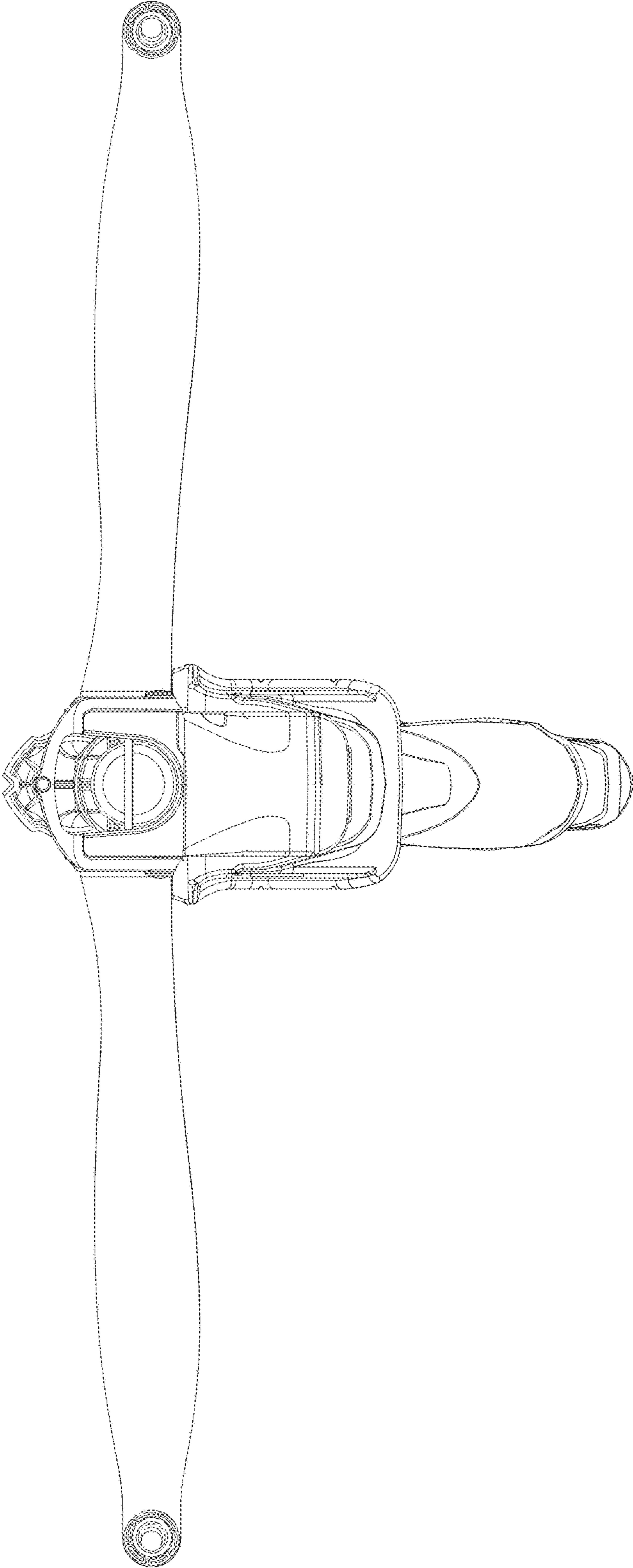


FIG. 7

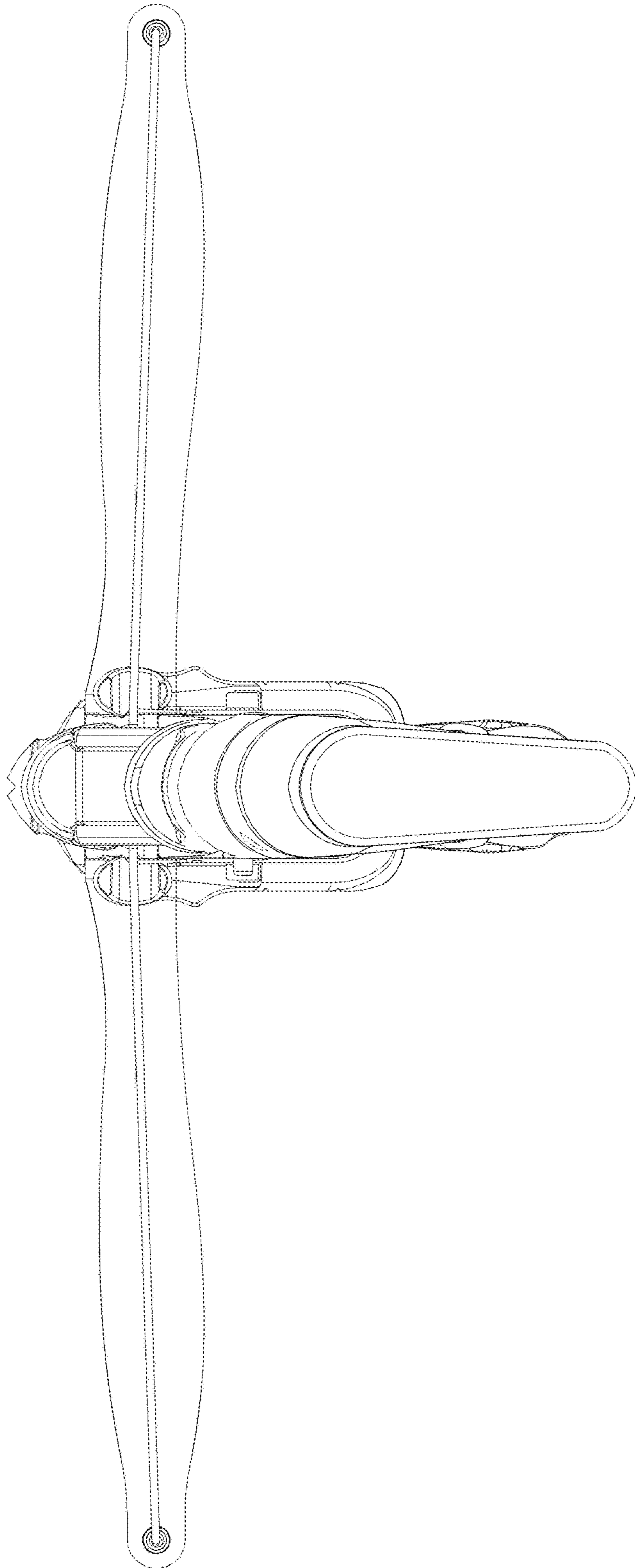


FIG. 8