



US0D1018523S

(12) **United States Design Patent** (10) **Patent No.: US D1,018,523 S**  
**Clark et al.** (45) **Date of Patent: \*\* Mar. 19, 2024**

(54) **SERVER**

(71) Applicant: **Dell Products L.P.**, Round Rock, TX (US)

(72) Inventors: **Peter Clark**, Taiwan (TW); **Sean P. O'Donnell**, Poughkeepsie, NY (US); **Richard W. Guzman**, Austin, TX (US)

(73) Assignee: **Dell Products L.P.**, Round Rock, TX (US)

(\*\*) Term: **15 Years**

(21) Appl. No.: **29/805,920**

(22) Filed: **Aug. 31, 2021**

(51) **LOC (14) Cl.** ..... **14-02**

(52) **U.S. Cl.**  
USPC ..... **D14/313**

(58) **Field of Classification Search**  
USPC ..... D14/300, 301, 313, 314, 315, 348, 349, D14/353, 354, 355, 371, 432, 439, 440, D14/441, 444, 445, 446, 374-382; D21/324, 332  
CPC ..... H05K 5/00; H05K 5/02; H05K 5/0204; H05K 5/0213; H05K 5/03; H05K 5/04; H05K 7/1485; H05K 7/20; H05K 7/20136; H05K 7/20145; H05K 7/20172; H05K 7/202

See application file for complete search history.

(56) **References Cited**

**U.S. PATENT DOCUMENTS**

- D480,086 S \* 9/2003 Searby ..... D14/444
- D740,293 S \* 10/2015 Kuehn ..... D14/444
- D813,872 S 3/2018 Crisp
- D879,790 S 3/2020 Donachy
- D880,472 S 4/2020 Dearborn
- D882,576 S 4/2020 Crisp
- D976,257 S \* 1/2023 Zhang ..... H05K 5/04  
D14/363
- 2008/0253068 A1\* 10/2008 Hisatsune ..... H05K 7/20172  
361/678

- 2017/0367211 A1\* 12/2017 Easton ..... H05K 5/04
- 2021/0201435 A1\* 7/2021 Ni ..... G06F 15/78
- 2023/0129135 A1\* 4/2023 Clark ..... H05K 5/0213  
361/679.02

**OTHER PUBLICATIONS**

PowerEdge XR4000, Oct. 12, 2022, Channel Futures, site visited May 16, 2023: <https://www.channelfutures.com/new-products-services/dell-technologies-moves-closer-to-the-edge-with-project-frontier> (Year: 2022).\*

\* cited by examiner

*Primary Examiner* — Leanne Was-Englehart

*Assistant Examiner* — Alison Davis

(74) *Attorney, Agent, or Firm* — ZAGORIN CAVE LLP; Robert W. Holland

(57) **CLAIM**

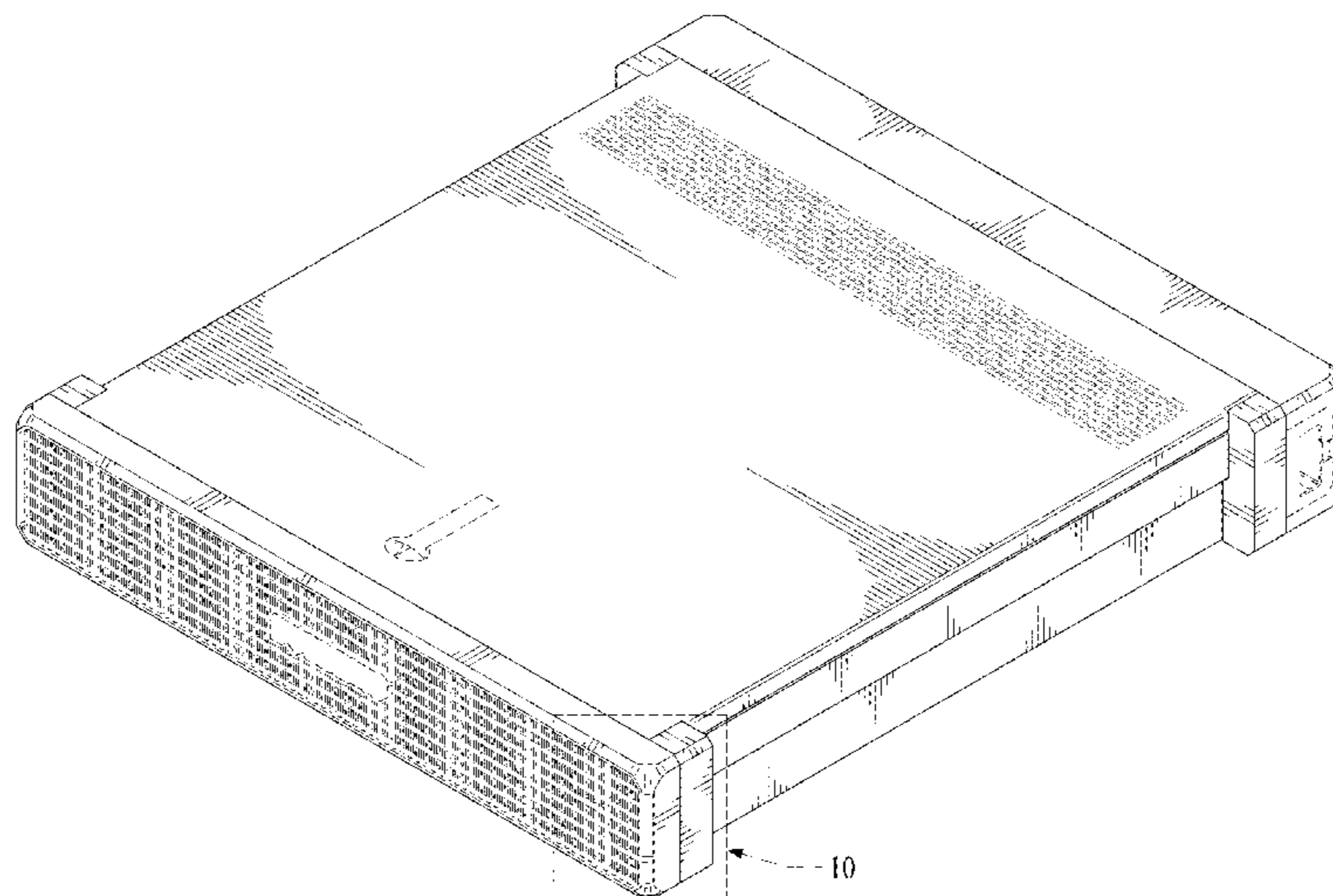
We claim the ornamental design for a server, as shown and described.

**DESCRIPTION**

FIG. 1 is a front perspective view of the server comprising the present invention;  
FIG. 2 is a front elevation view thereof;  
FIG. 3 is a rear elevation view thereof;  
FIG. 4 is a right side view thereof;  
FIG. 5 is a left side view thereof;  
FIG. 6 is a top view thereof;  
FIG. 7 is a bottom view thereof;  
FIG. 8 is a rear perspective view thereof;  
FIG. 9 is an environmental depiction of the server; and,  
FIG. 10 is detail view of a portion of the server as indicated by FIG. 1.

Broken lines shown in the drawings illustrate portions of the server, and form no part of the claimed design. The broken line rectangles depict the limits of the enlarged view and form no part of the claimed design.

**1 Claim, 8 Drawing Sheets**



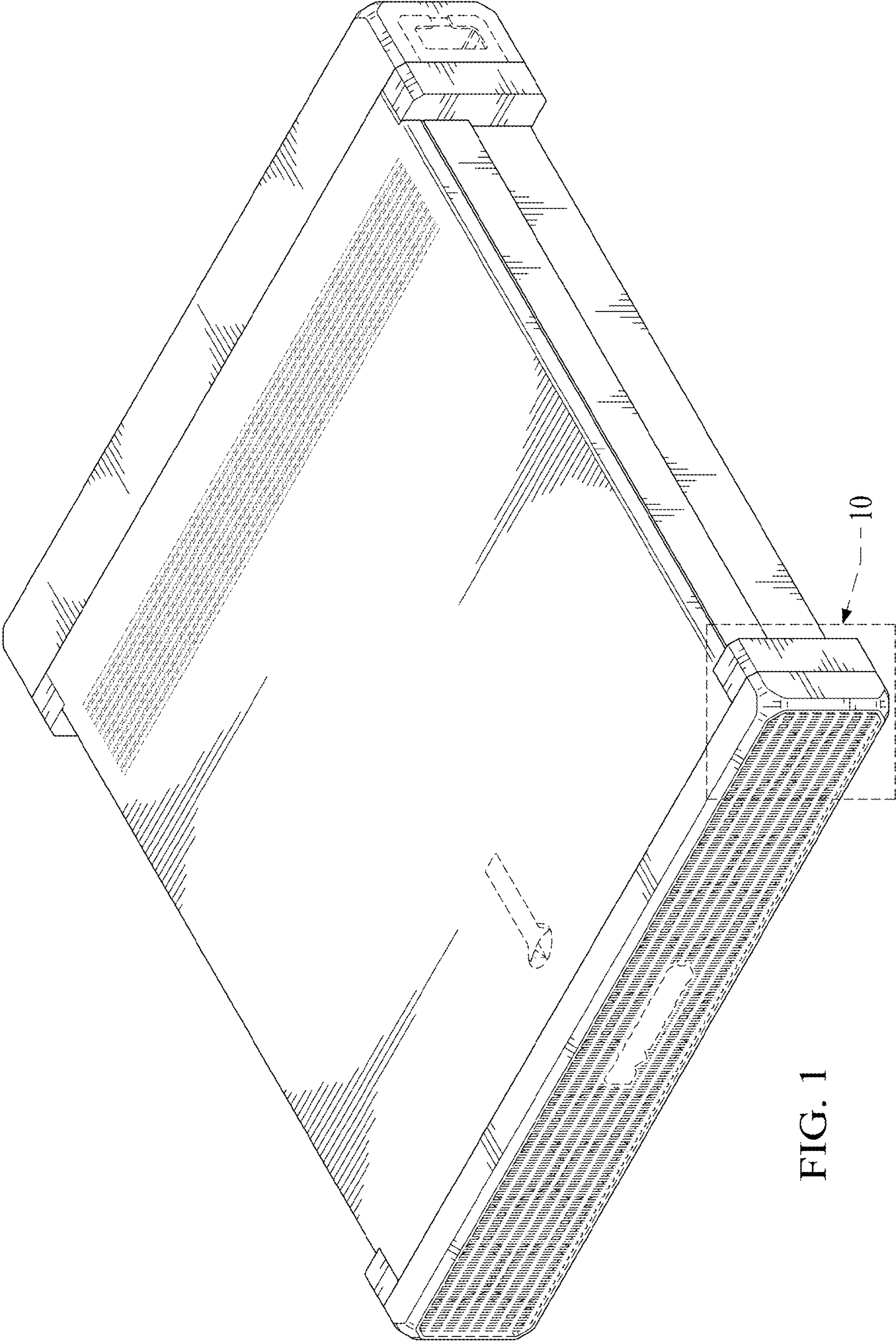


FIG. 1

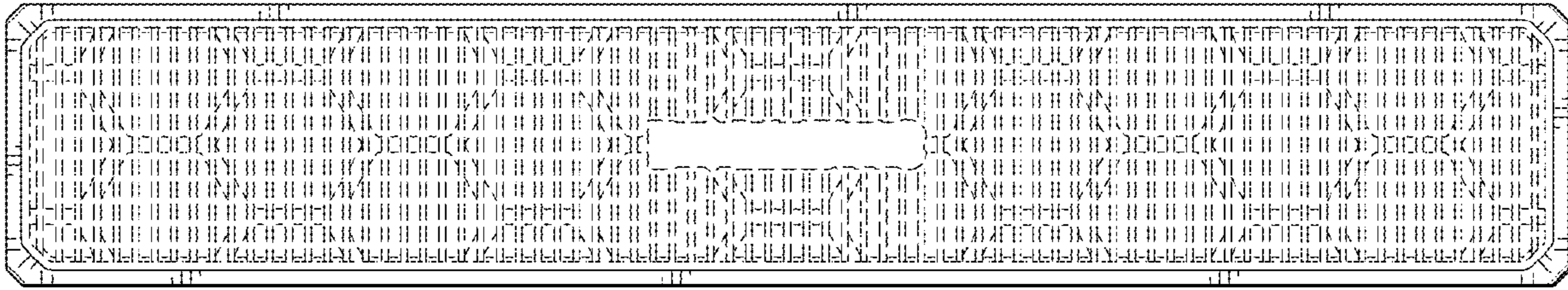


FIG. 2

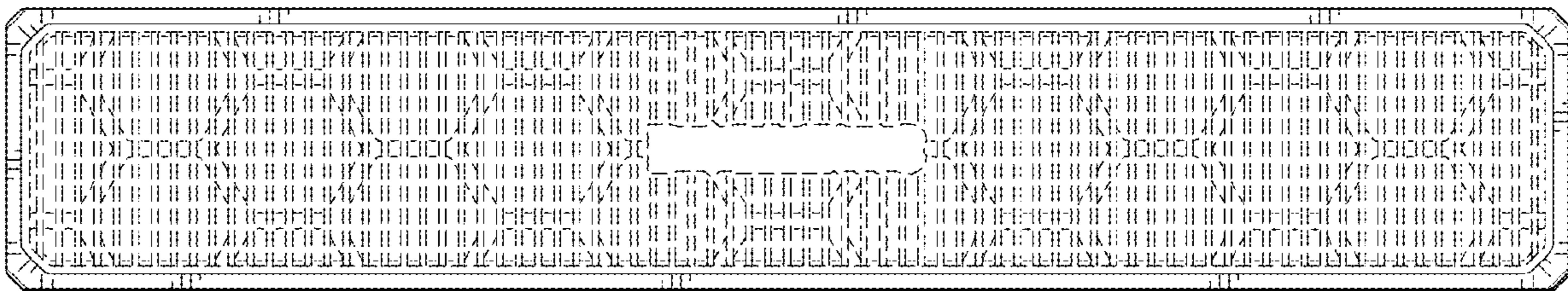


FIG. 3

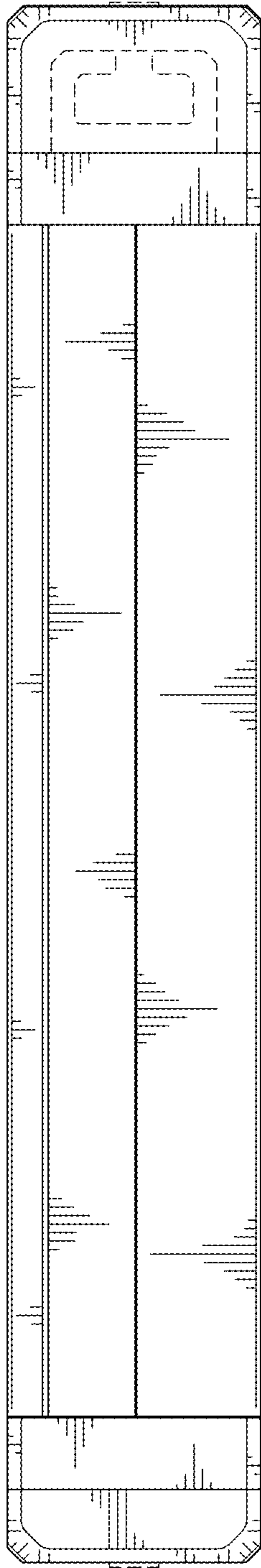


FIG. 4

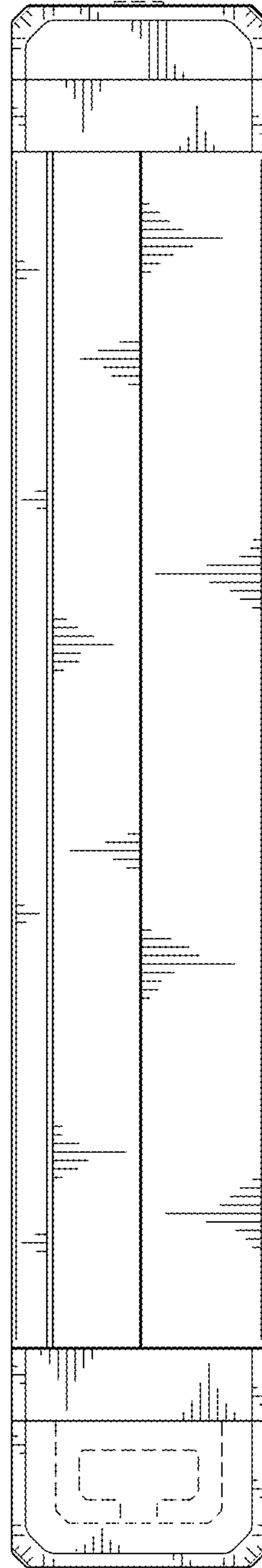


FIG. 5

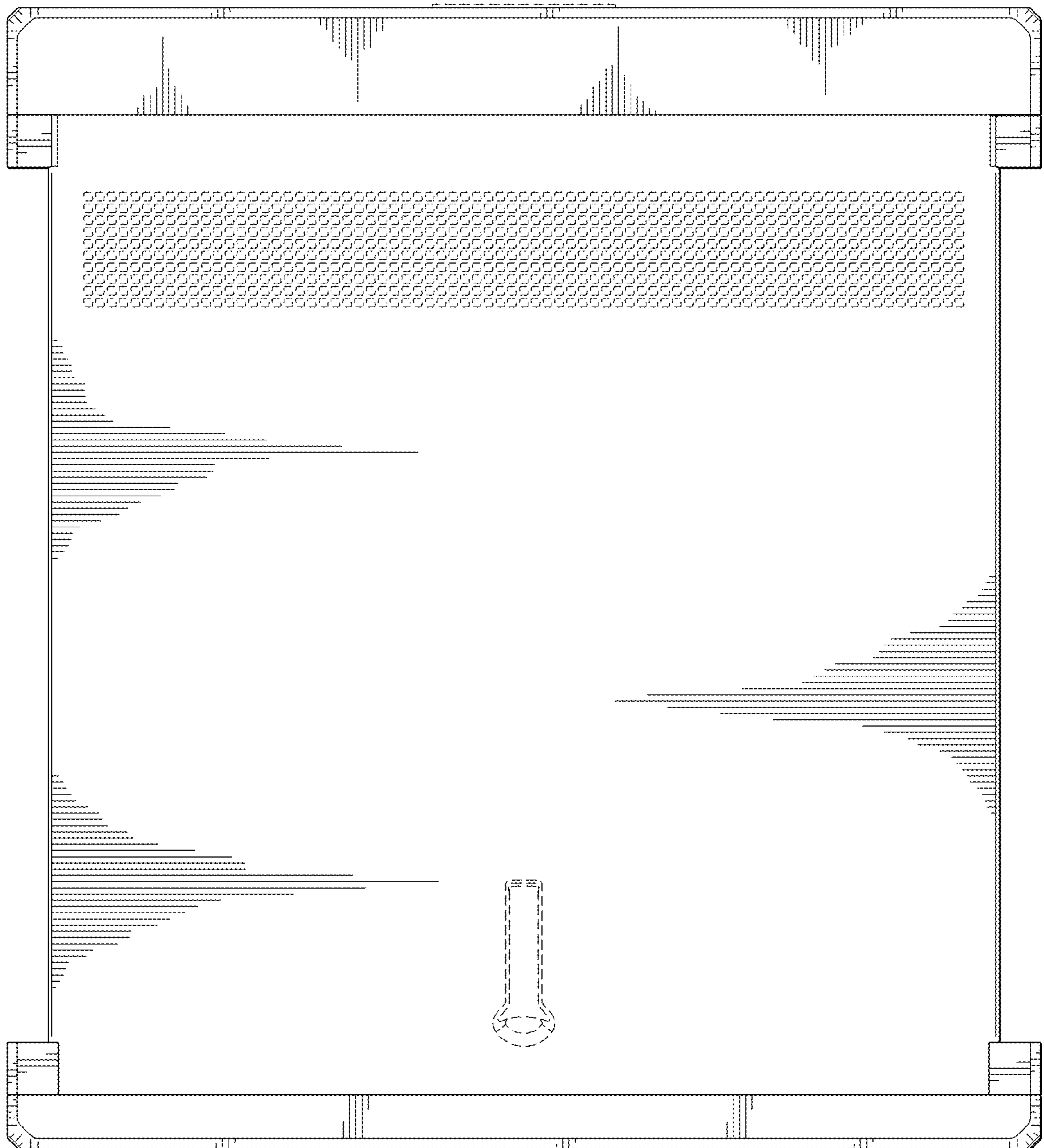


FIG. 6

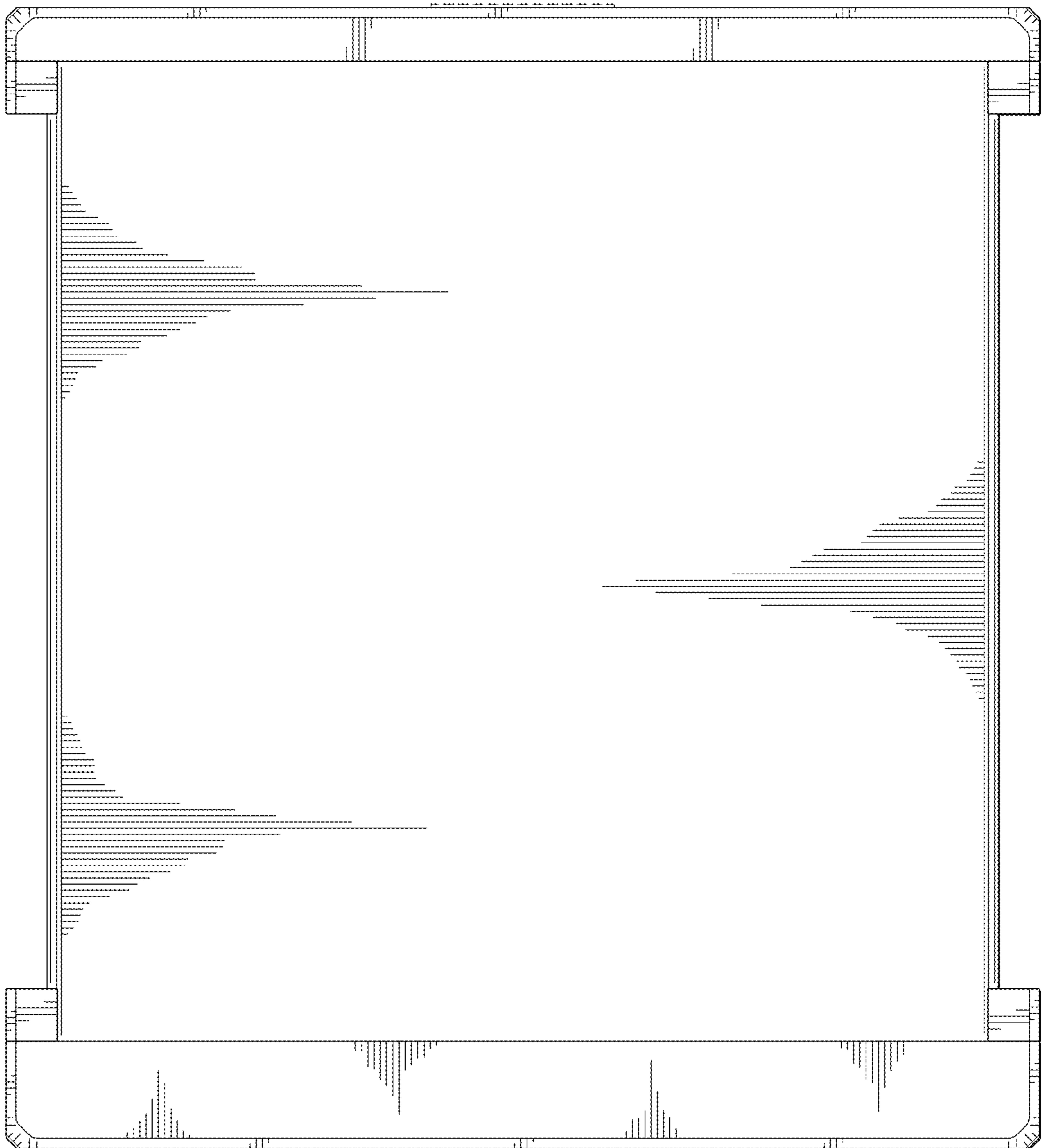


FIG. 7

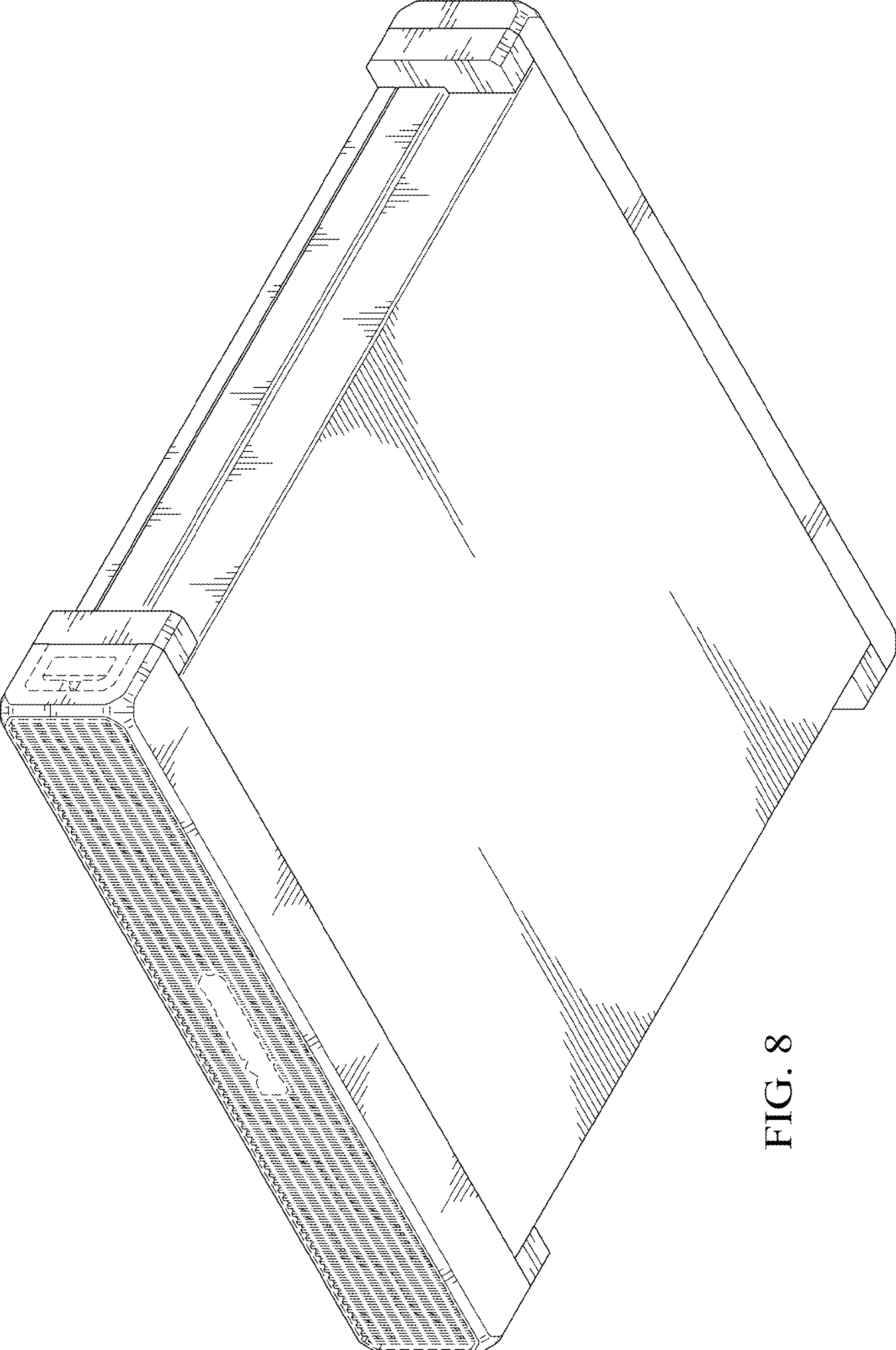


FIG. 8

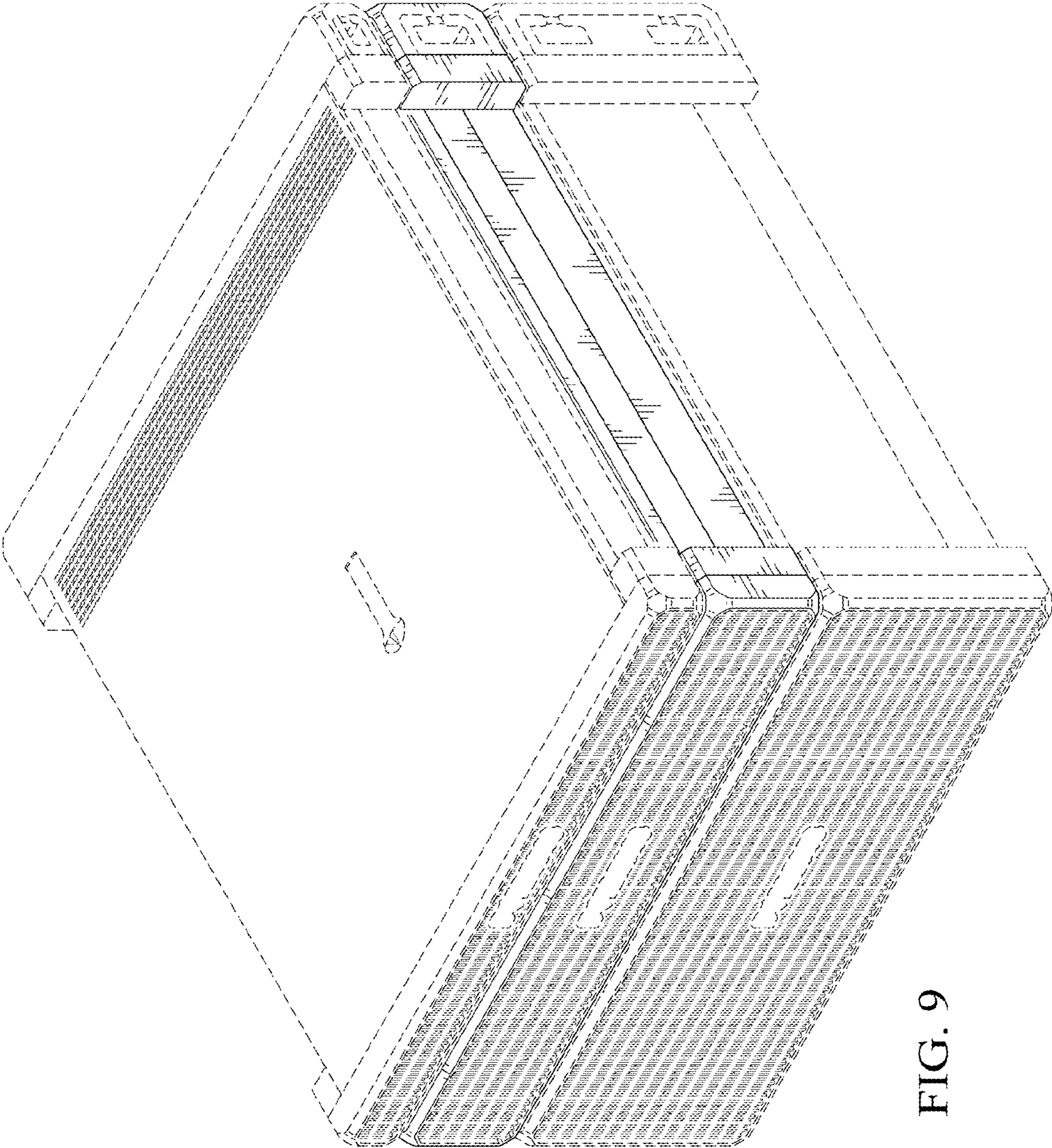


FIG. 9



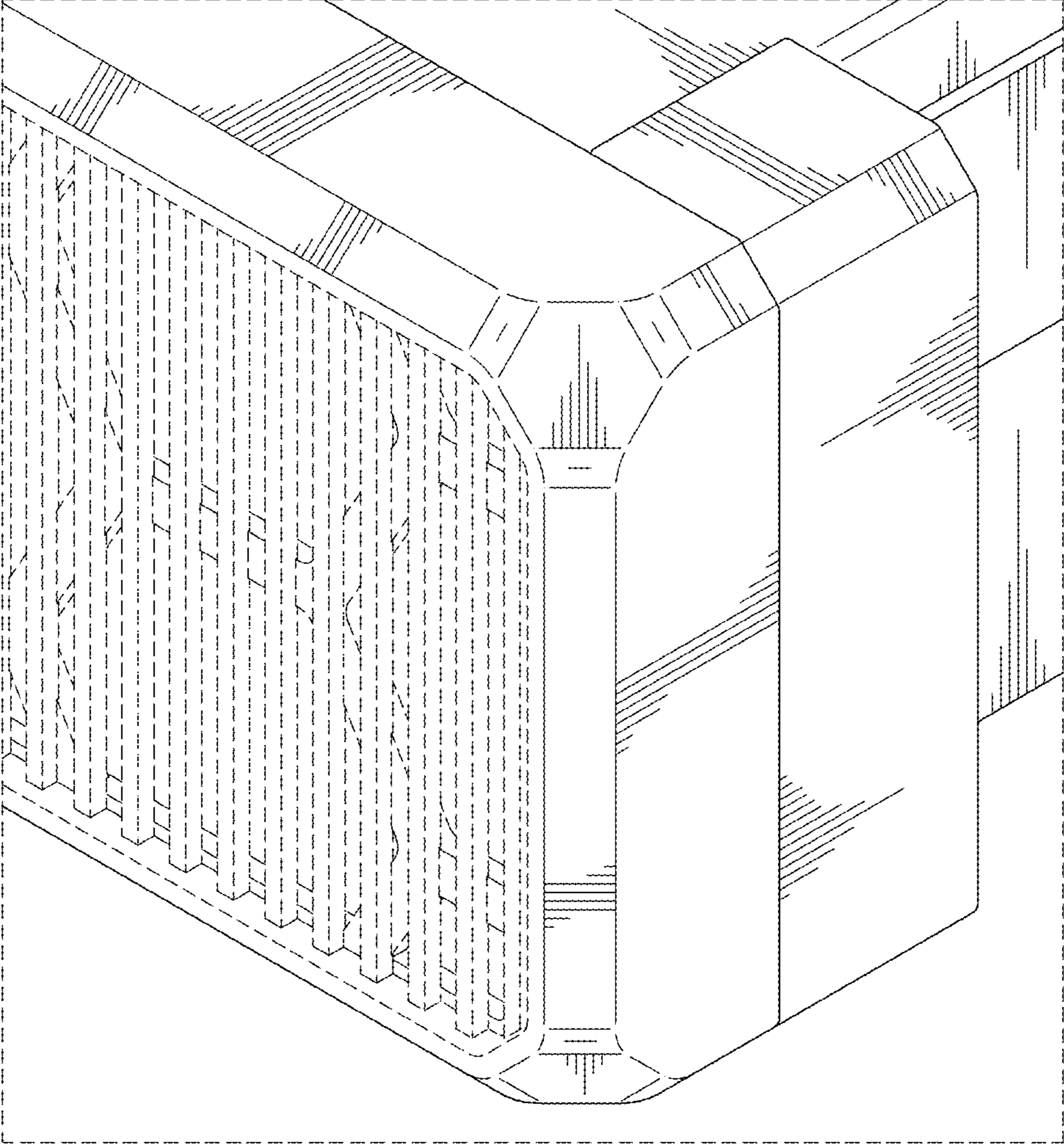


FIG. 10