



US0D1018372S

(12) **United States Design Patent**
Fung

(10) **Patent No.: US D1,018,372 S**

(45) **Date of Patent: ** Mar. 19, 2024**

(54) **BUCKLE**

(71) Applicant: **LULULEMON ATHLETICA CANADA INC.**, Vancouver (CA)

(72) Inventor: **Rosanna Yuet-Yu Fung**, Vancouver (CA)

(73) Assignee: **LULULEMON ATHLETICA CANADA INC.**, Vancouver (CA)

(**) Term: **15 Years**

(21) Appl. No.: **29/849,190**

(22) Filed: **Aug. 9, 2022**

D703,580 S * 4/2014 Lin D11/216
D705,122 S * 5/2014 Nykoluk D11/216
D730,238 S * 5/2015 Rorich D11/200

(Continued)

FOREIGN PATENT DOCUMENTS

WO D204382-001 12/2019

OTHER PUBLICATIONS

Mozeto_Tactical_Belt (available online Nov. 6, 2019); Retrieved from the Internet from URL: https://www.amazon.com/MOZETO-Tactical-Military-Heavy-Duty-Quick-Release/dp/B07ZTCBR1L/ref=sr_1_2?keywords=mozeto+tactical+belt+velco&qid=1644331971&prefix=mozeto+tac%2Caps%2C94&sr=8-2.

(Continued)

Primary Examiner — Richard Kearney

(74) *Attorney, Agent, or Firm* — CONNEELY PC; Joseph Conneely

(57) **CLAIM**

The ornamental design for a buckle, as shown and described.

DESCRIPTION

FIG. 1 is a front view of a buckle according to the design; FIG. 2 is a rear view thereof; FIG. 3 is a right side view thereof; FIG. 4 is a left side view thereof; FIG. 5 is a top view thereof; FIG. 6 is a bottom view thereof; FIG. 7 is a front perspective view thereof; FIG. 8 is a rear perspective view thereof; and, FIG. 9 is a front view thereof shown in an opened position and in an environment of use.

The portions of the buckle shown in broken lines in FIGS. 1-9 do not form part of the claimed design. The broken line showing of the straps, belts, fabric, or material in FIG. 9 is for the purpose of illustrating portions of the environmental structure and forms no part of the claimed design.

1 Claim, 4 Drawing Sheets

Related U.S. Application Data

(62) Division of application No. 29/708,740, filed on Oct. 9, 2019, now Pat. No. Des. 963,518.

(51) **LOC (14) Cl.** **02-07**

(52) **U.S. Cl.**
USPC **D11/216**

(58) **Field of Classification Search**

USPC D3/215, 318, 323; D11/87, 94, 200, 201, D11/208-210, 212, 214, 215, 216, 218, D11/220, 221, 228

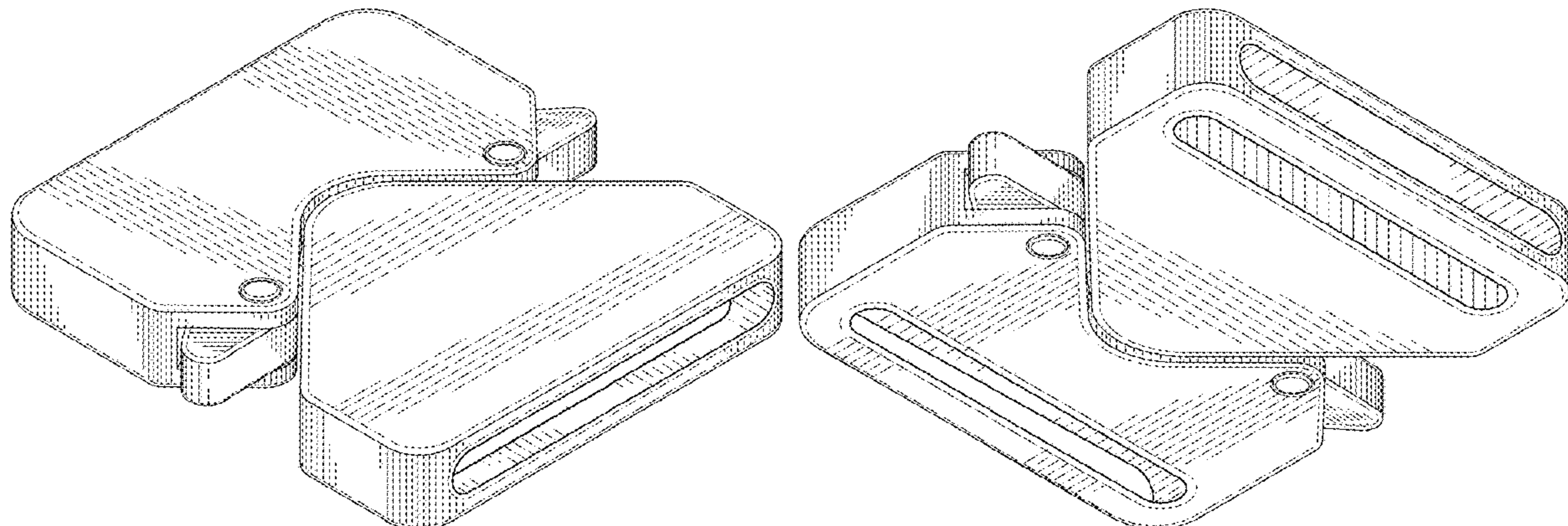
CPC A44B 11/00; A44B 11/001; A44B 11/006; A44B 11/04; A44B 11/06; A44B 11/065; A44B 11/18; A44B 11/20; A44B 11/2538; A44B 19/00; A44B 19/26; A45F 3/14

See application file for complete search history.

(56) **References Cited**

U.S. PATENT DOCUMENTS

7,350,277 B1 * 4/2008 Canfield A44B 11/253
24/637
D621,743 S * 8/2010 Hortnagl D11/216
D621,744 S * 8/2010 Hortnagl D11/218
D702,594 S 4/2014 Lin



(56)

References Cited

U.S. PATENT DOCUMENTS

D802,929 S * 11/2017 Morszeck D3/318
 D850,101 S * 6/2019 Mironski D3/224
 D872,969 S * 1/2020 Stewart D3/226
 D888,609 S * 6/2020 Templeton D11/216
 D902,780 S * 11/2020 Gao D11/216
 D914,302 S * 3/2021 Chen D30/152
 D945,922 S * 3/2022 Gao D11/216
 D955,920 S * 6/2022 Lin D11/216
 D963,518 S * 9/2022 Fung D11/218
 2010/0071173 A1 * 3/2010 Hortnagl A44B 11/2592
 24/651
 2012/0124790 A1 * 5/2012 Richards A44B 11/2519
 24/593.1
 2014/0298630 A1 10/2014 Hortnagl
 2014/0325733 A1 * 11/2014 Rae A62B 35/0006
 2/69
 2015/0067989 A1 3/2015 Hortnagl
 2016/0174667 A1 6/2016 Hsu et al.
 2017/0000249 A1 1/2017 Beck

2018/0228252 A1 8/2018 Hsu
 2019/0116939 A1 * 4/2019 Porto A44B 11/266
 2023/0210226 A1 * 7/2023 Evans A44B 11/06
 24/613

OTHER PUBLICATIONS

Jukmo_Tactical_Belt (available online Dec. 1, 2019); Retrieved from the Internet from URL: https://www.amazon.com/JUKMO-Tactical-Military-Heavy-Duty-Quick-Release/dp/B08277N9KL/ref=sr_1_1_sspa?crid=R9ZA3YOBH366&keywords=jukmo+tactical+belt%2C+military+hiking+rigger+1.5&qid=1644332076&srefix=Jukmo+tactical+belt.

Release Buckle (available online Nov. 9, 2021); Retrieved from the Internet from URL: https://www.etsy.com/listing/674831119/1538mmblack-metal-release-buckle-clutch?click_key=7e0b6a69bbaec17140fa3118fd99fd523123dc37%3A674831119&click_sum=09be7b37&ref=related-1&pro=1.

* cited by examiner

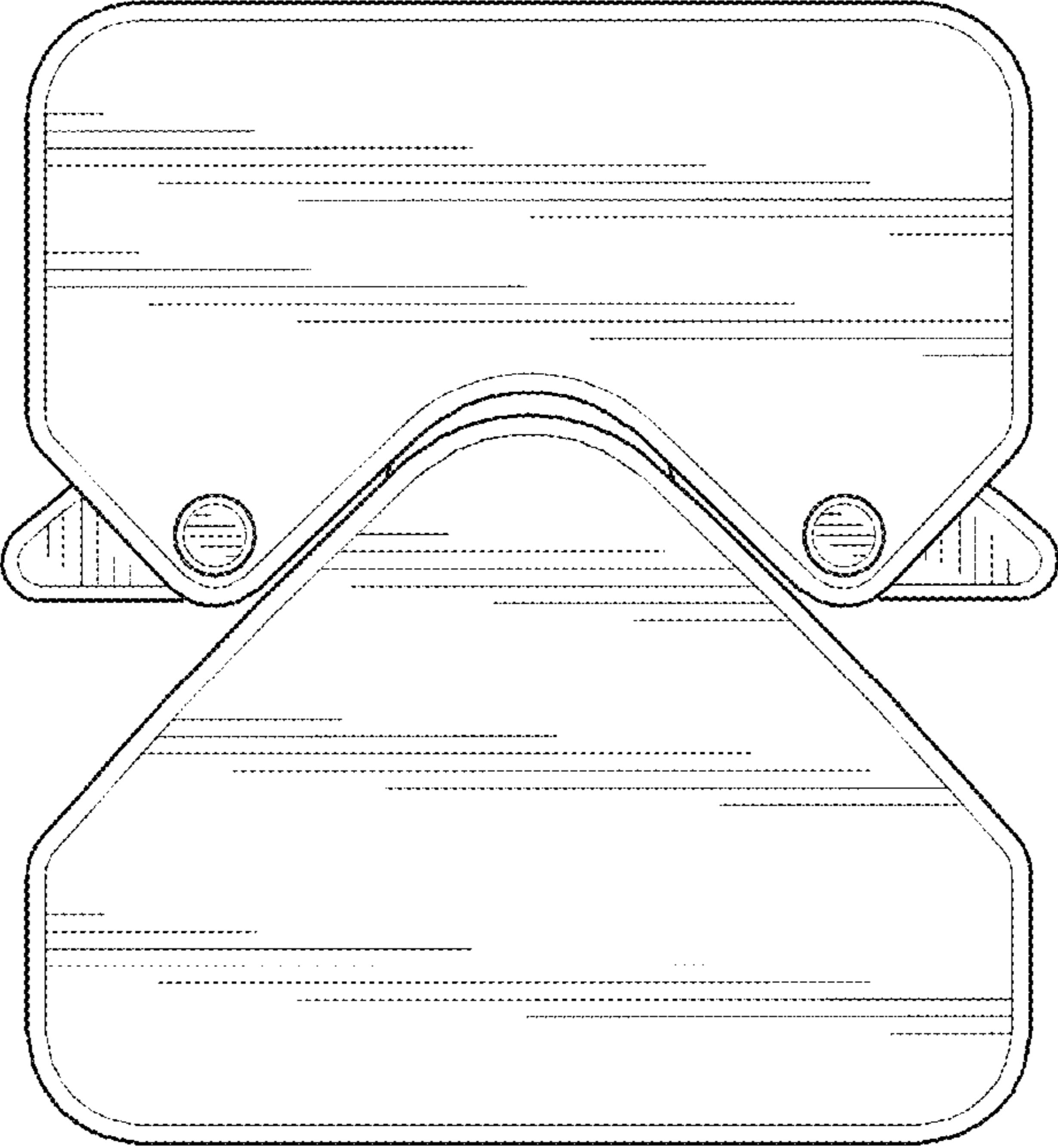


FIG. 1

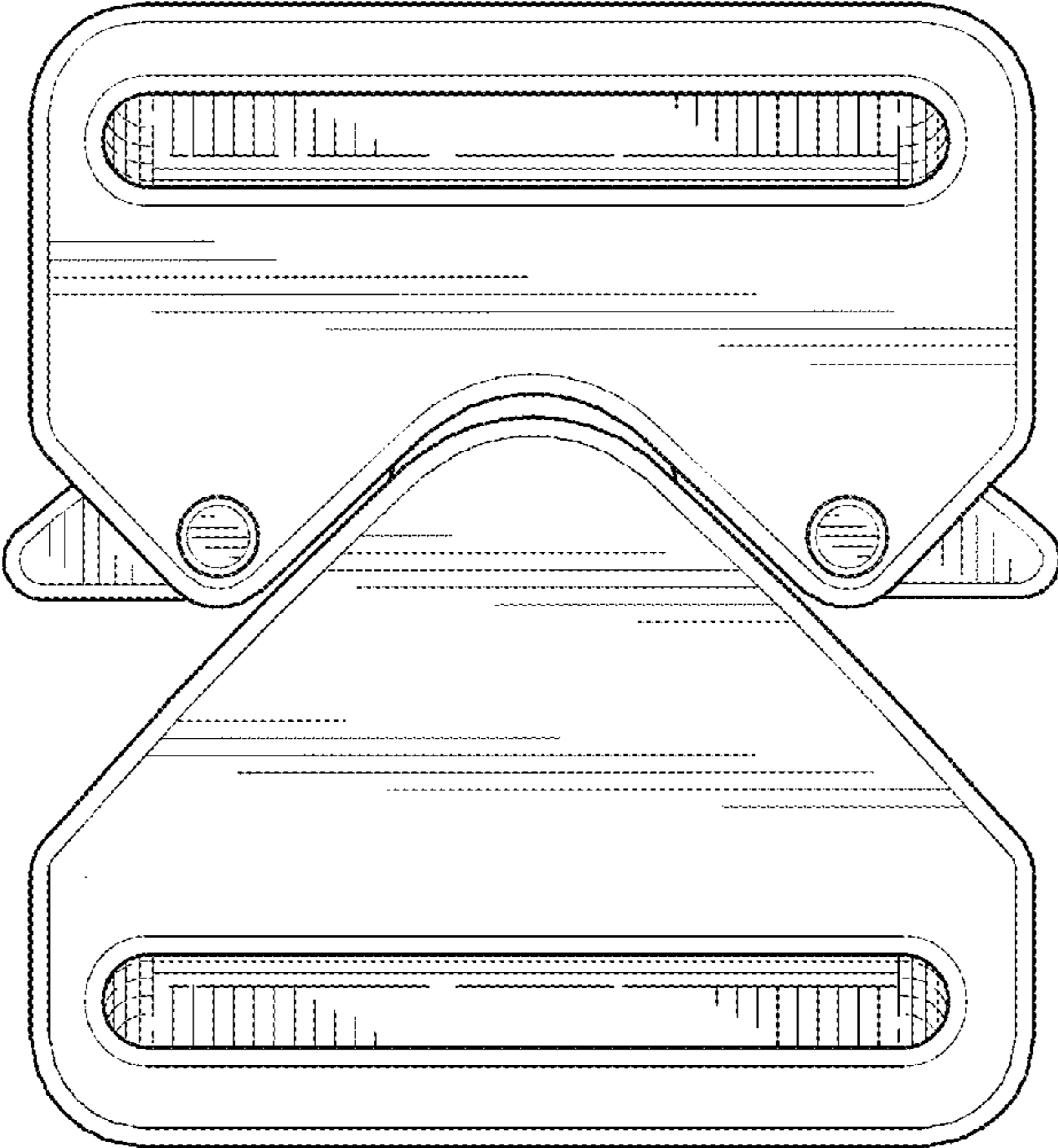


FIG. 2

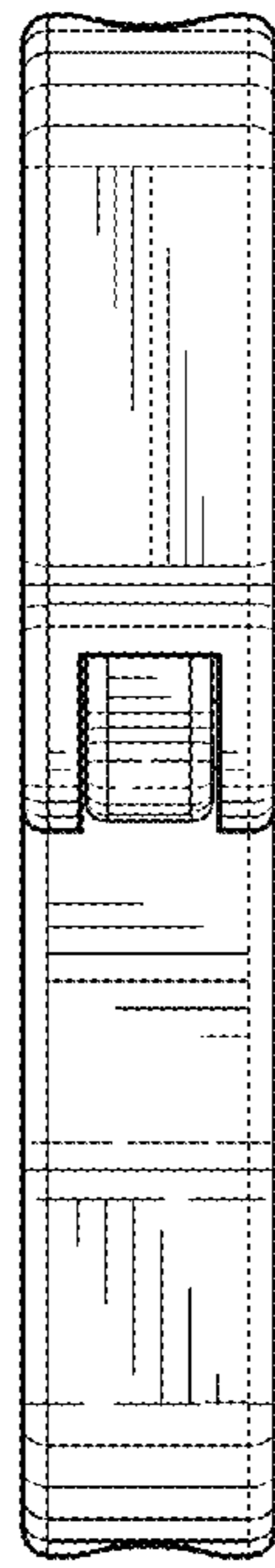


FIG. 3

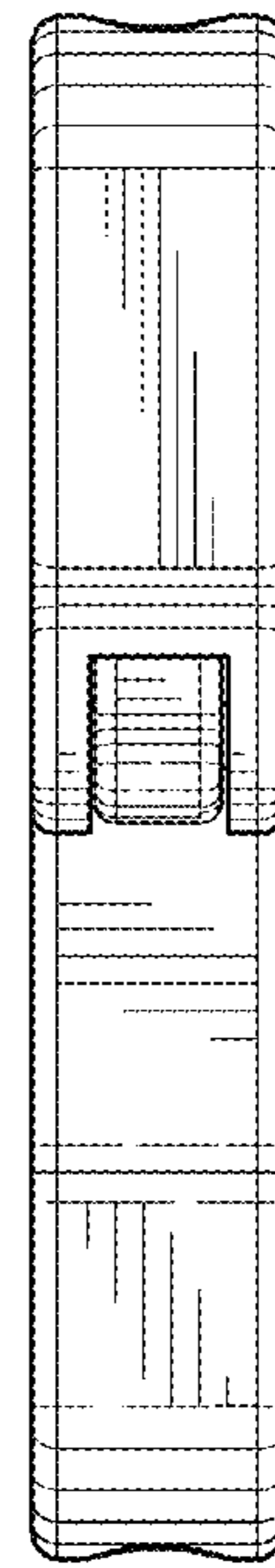


FIG. 4

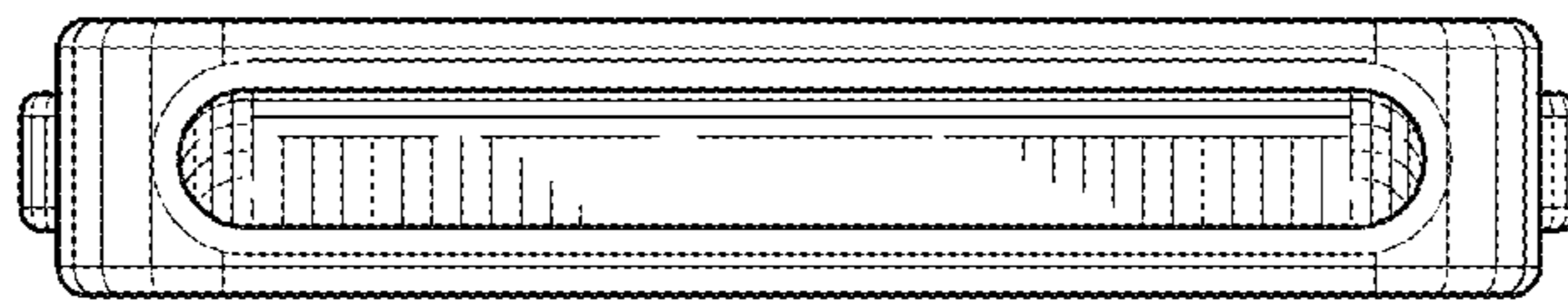


FIG. 5

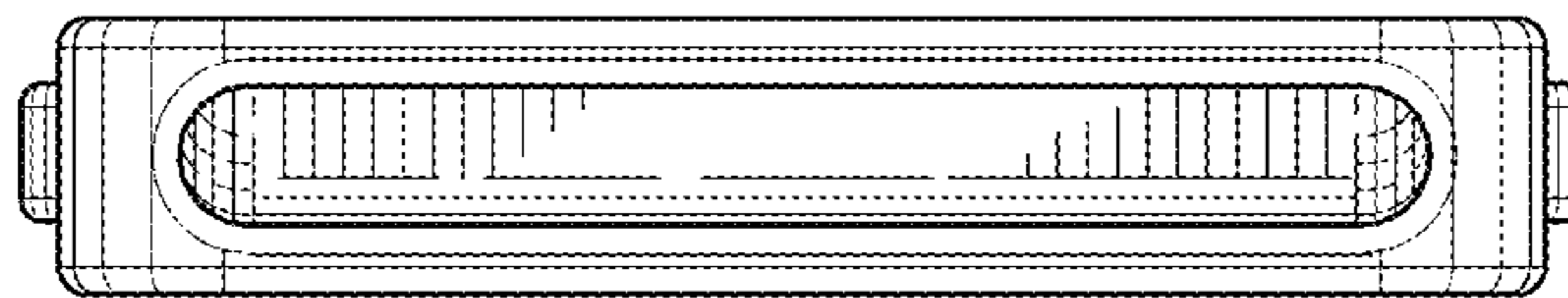


FIG. 6

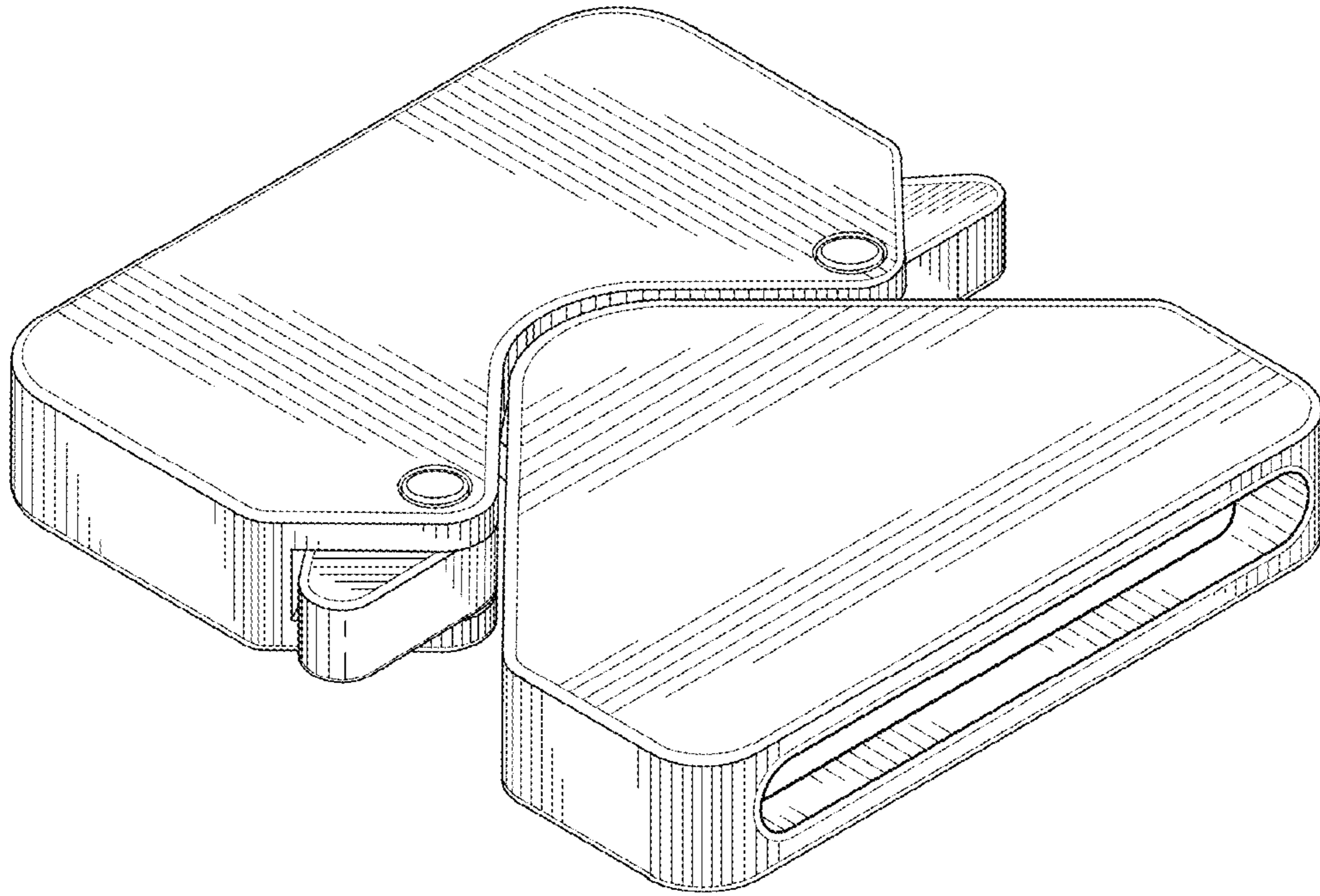


FIG. 7

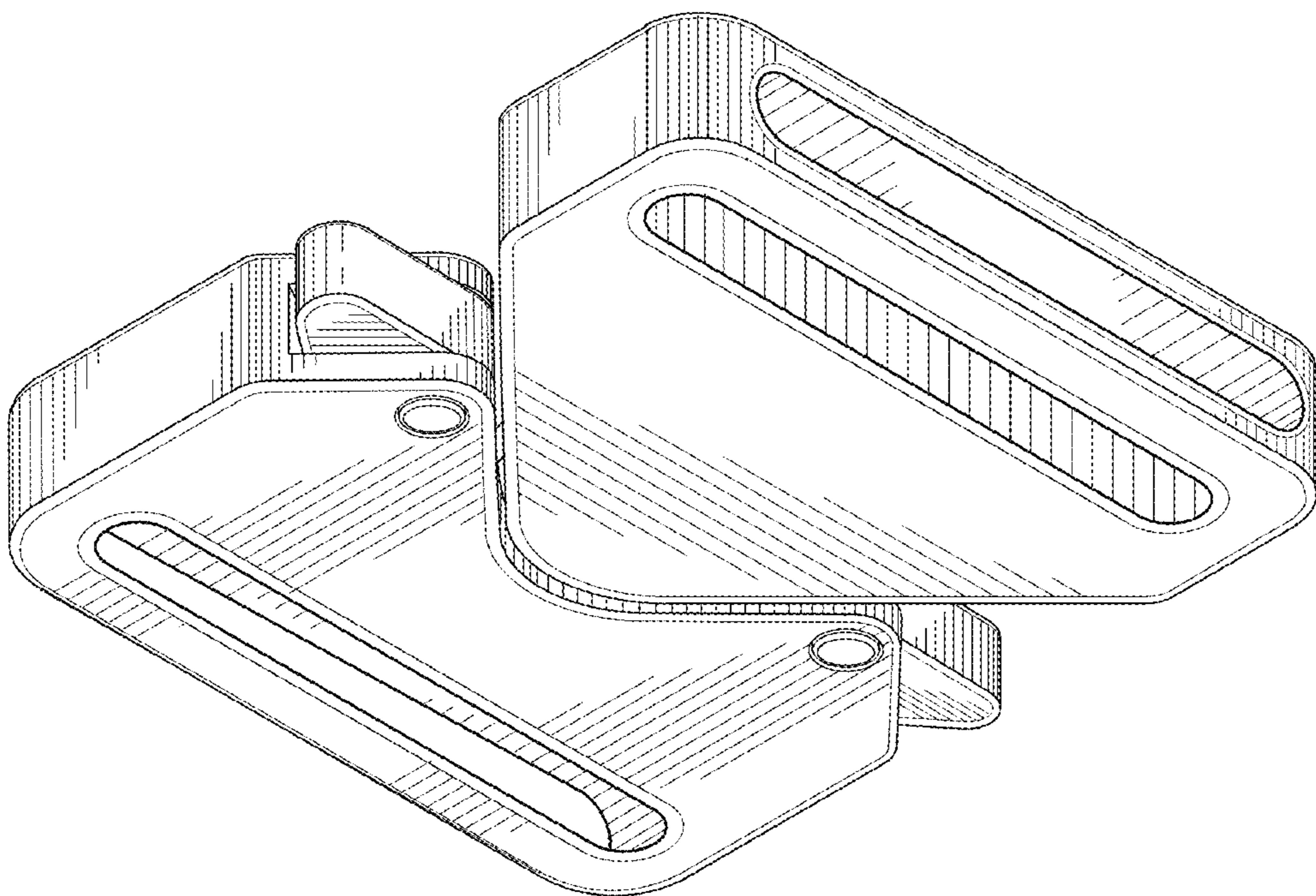


FIG. 8

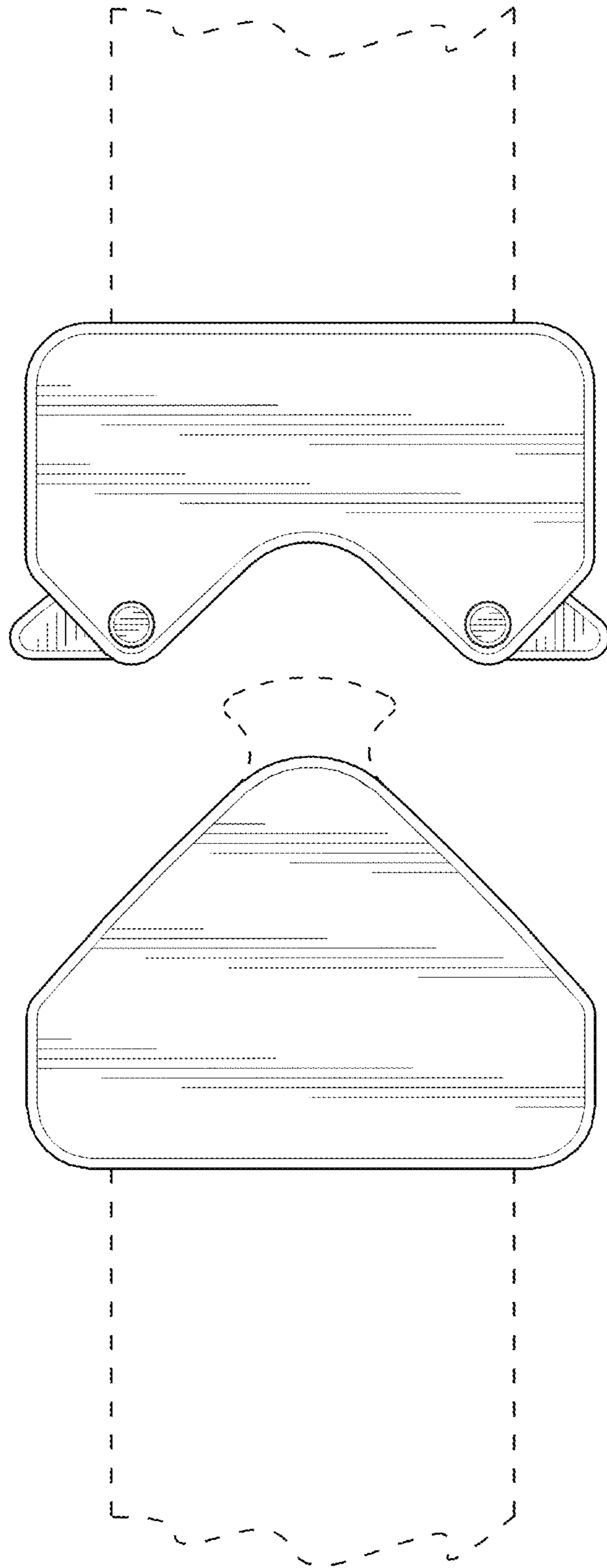


FIG. 9